



US00D859506S

(12) **United States Design Patent**
Huang

(10) **Patent No.:** **US D859,506 S**

(45) **Date of Patent:** **** Sep. 10, 2019**

(54) **LENS CLIP FOR MOBILE DEVICES**

(71) Applicant: **Yu Huang**, Guangdong (CN)

(72) Inventor: **Yu Huang**, Guangdong (CN)

(73) Assignee: **Shenzhen Dahezhan Electronic Development Co., Ltd.**, Shenzhen

(**) Term: **15 Years**

(21) Appl. No.: **29/623,396**

(22) Filed: **Oct. 25, 2017**

(51) **LOC (12) Cl.** **16-05**

(52) **U.S. Cl.**
USPC **D16/237**

(58) **Field of Classification Search**

USPC D16/219, 237-250; D14/224, 229, 238,
D14/251, 253, 447, 451, 457; D8/354,
D8/355, 363, 373, 382, 383, 394, 395,
D8/396, 397, 398

CPC .. A45F 5/00; A45F 5/10; F16M 11/06; F16M
11/07; F16M 11/08; F16M 11/09; F16M
11/10; G02B 7/00-002; G03B 17/56;
G03B 17/561; G03B 17/563; G03B
17/565; G03B 17/566; G03B 17/568;
H04N 5/2253-2254

See application file for complete search history.

(56) **References Cited**

U.S. PATENT DOCUMENTS

D525,117 S * 7/2006 Mariano D8/395
D559,673 S * 1/2008 Dash D8/395
D563,779 S * 3/2008 Yip D8/395
D564,559 S * 3/2008 Stephens D16/208

D565,662 S * 4/2008 Reardon D19/65
7,513,472 B2 * 4/2009 Yang F16M 11/041
224/197
D599,651 S * 9/2009 Riggsbee D8/395
D620,785 S * 8/2010 St. Germaine D8/395
D667,724 S * 9/2012 Mangano D8/395
D737,132 S * 8/2015 Garcia D8/395
D788,575 S * 6/2017 Kim D8/395
D794,437 S * 8/2017 Zinser D8/395
D795,844 S * 8/2017 Harper D14/223
D810,179 S * 2/2018 Harms D16/237
D814,284 S * 4/2018 Howard D8/395

OTHER PUBLICATIONS

Olho De Peixe Clip Lens Foto Lente Camera Celular. [online]
Retrieved Oct. 23, 2018 from URL: https://produto.mercadolivre.com.br/MLB-1032536486-olho-de-peixe-clip-lens-foto-lente-camera-celular-ios-andro-_JM.*

* cited by examiner

Primary Examiner — Vy N Koenig

(57) **CLAIM**

The ornamental design for a lens clip for mobile devices, as shown and described.

DESCRIPTION

FIG. 1 is a perspective view of a lens clip for mobile devices showing my new design;

FIG. 2 is a front elevational view thereof;

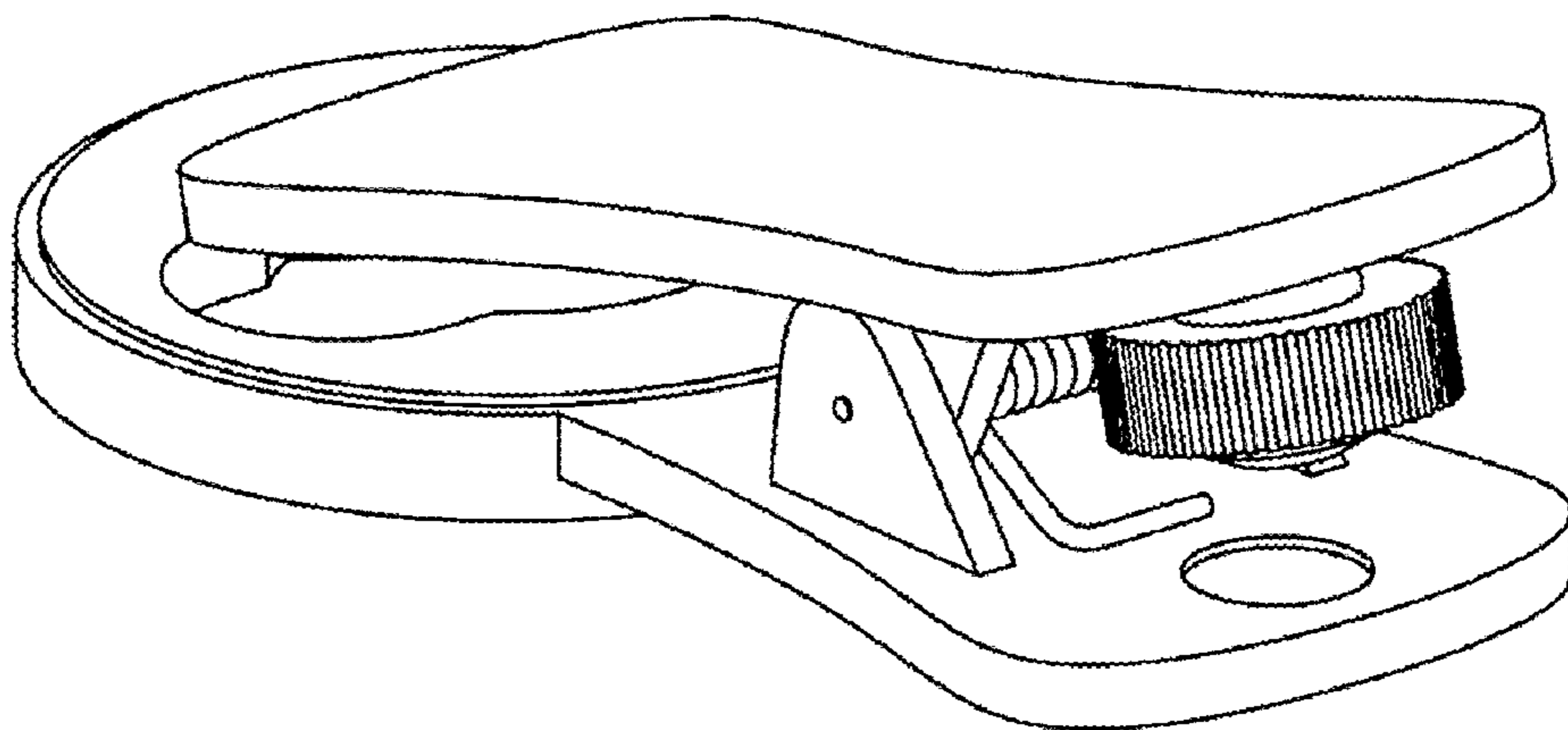
FIG. 3 is a rear elevational view thereof;

FIG. 4 is a right side view thereof;

FIG. 5 is a left side view thereof; and,

FIG. 6 is a top plan view thereof.

1 Claim, 6 Drawing Sheets



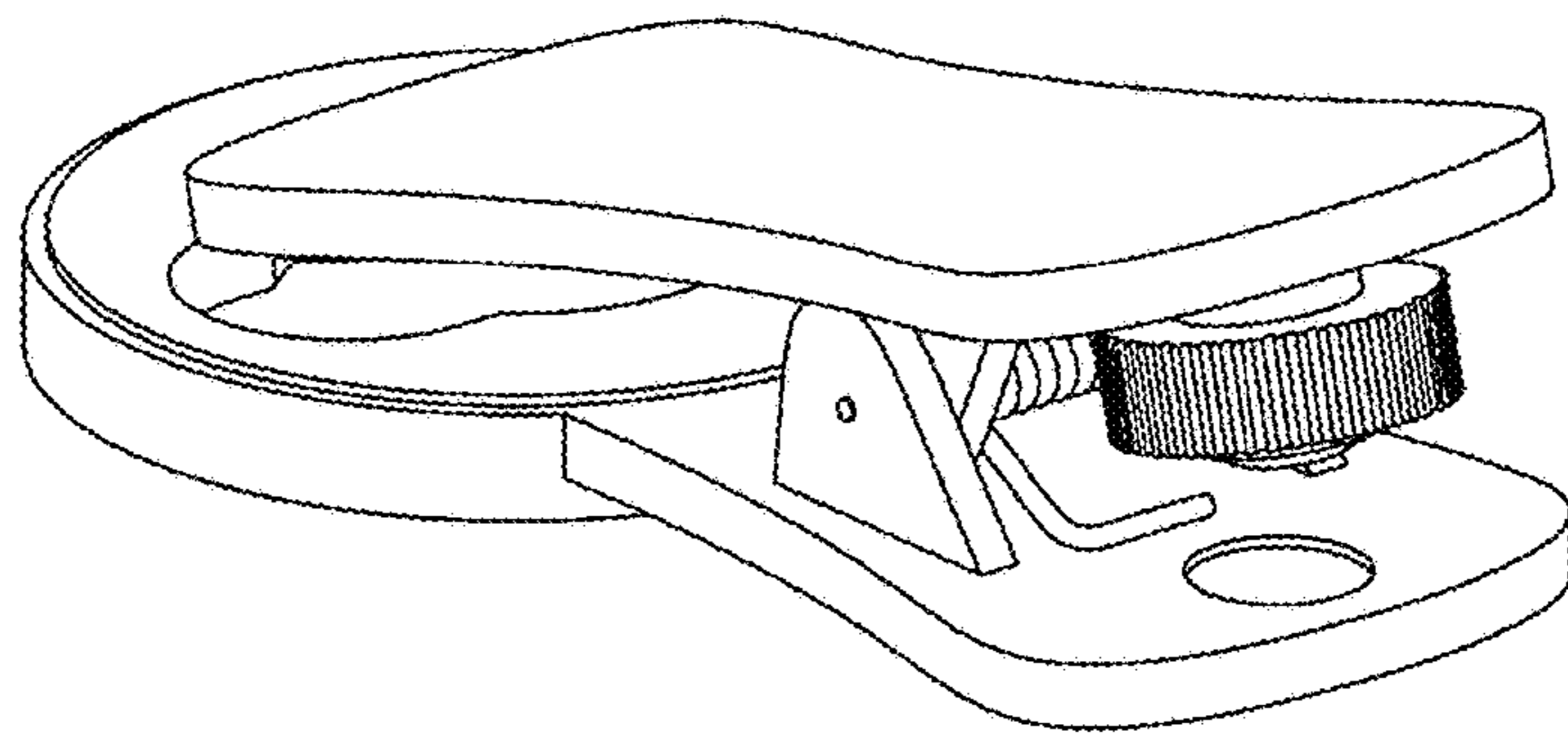


FIG. 1

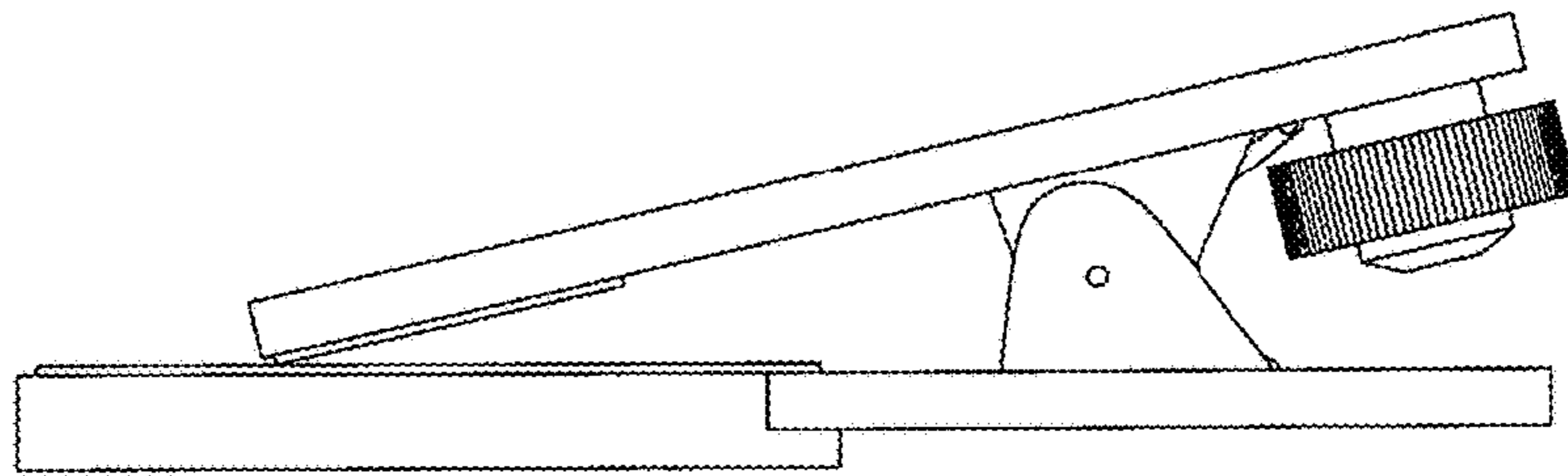


FIG. 2

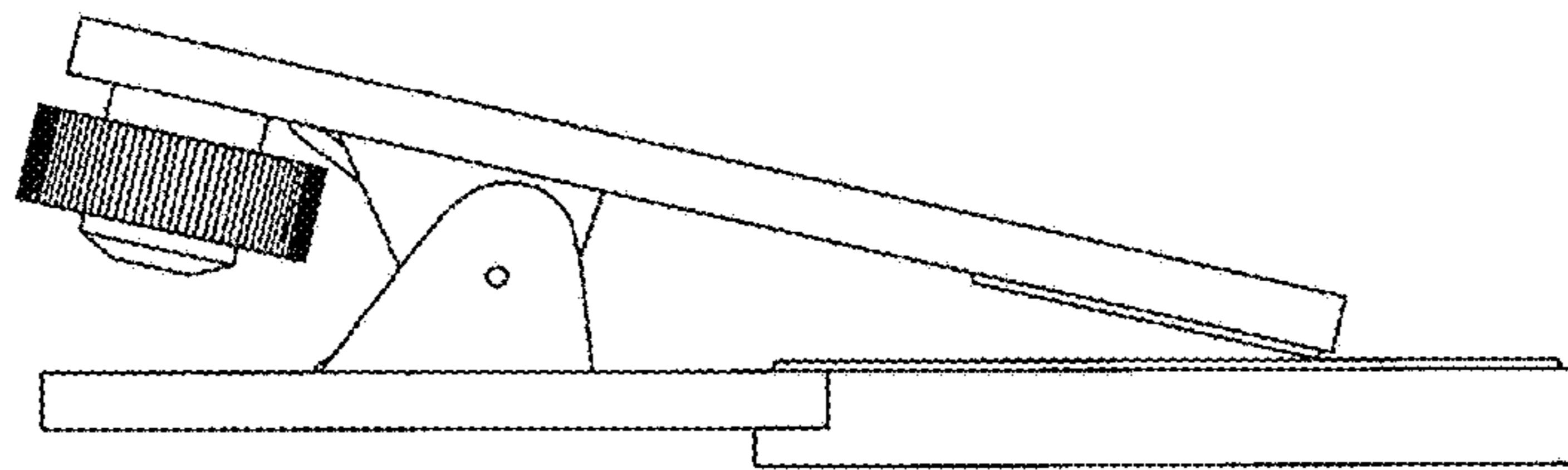


FIG. 3

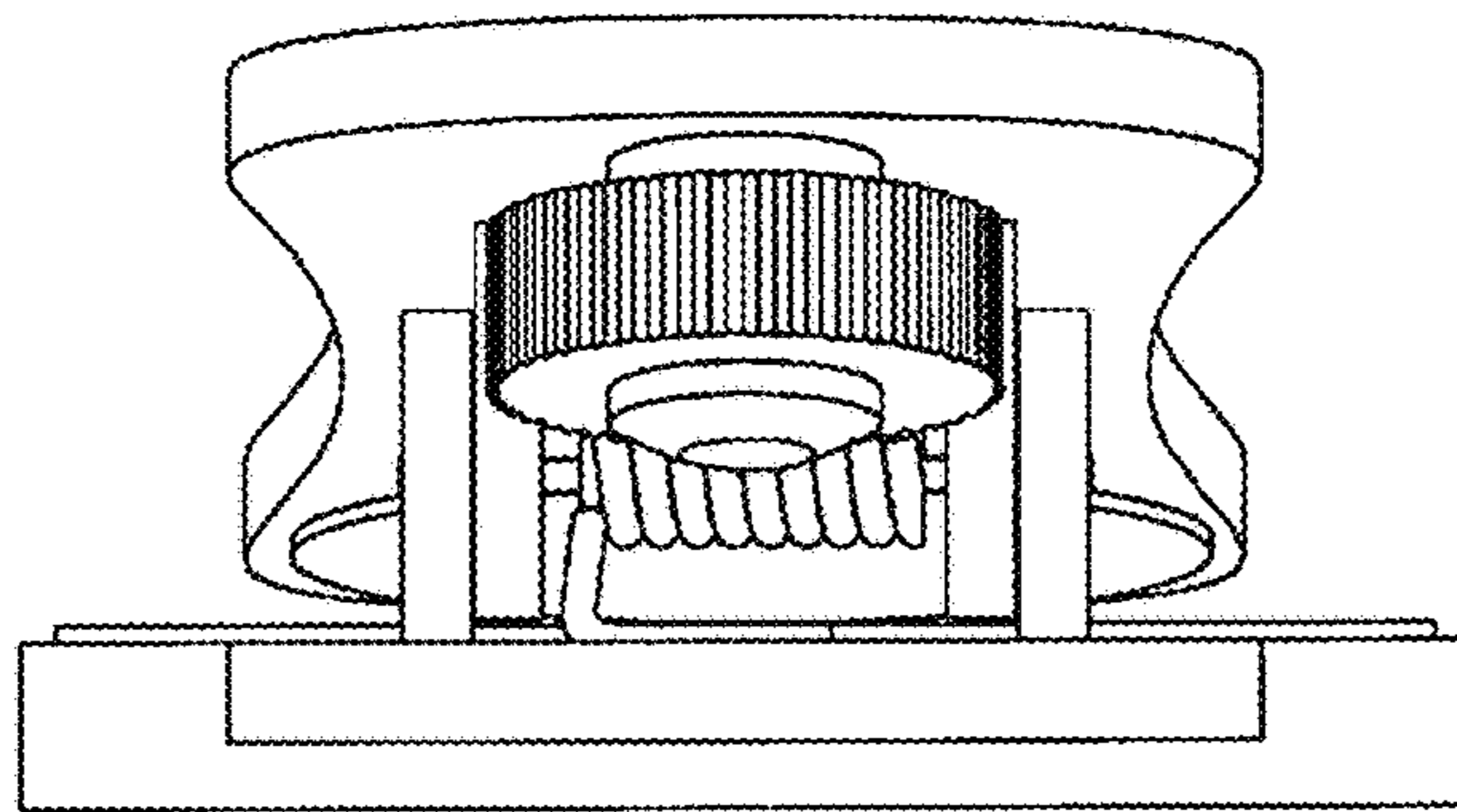


FIG. 4

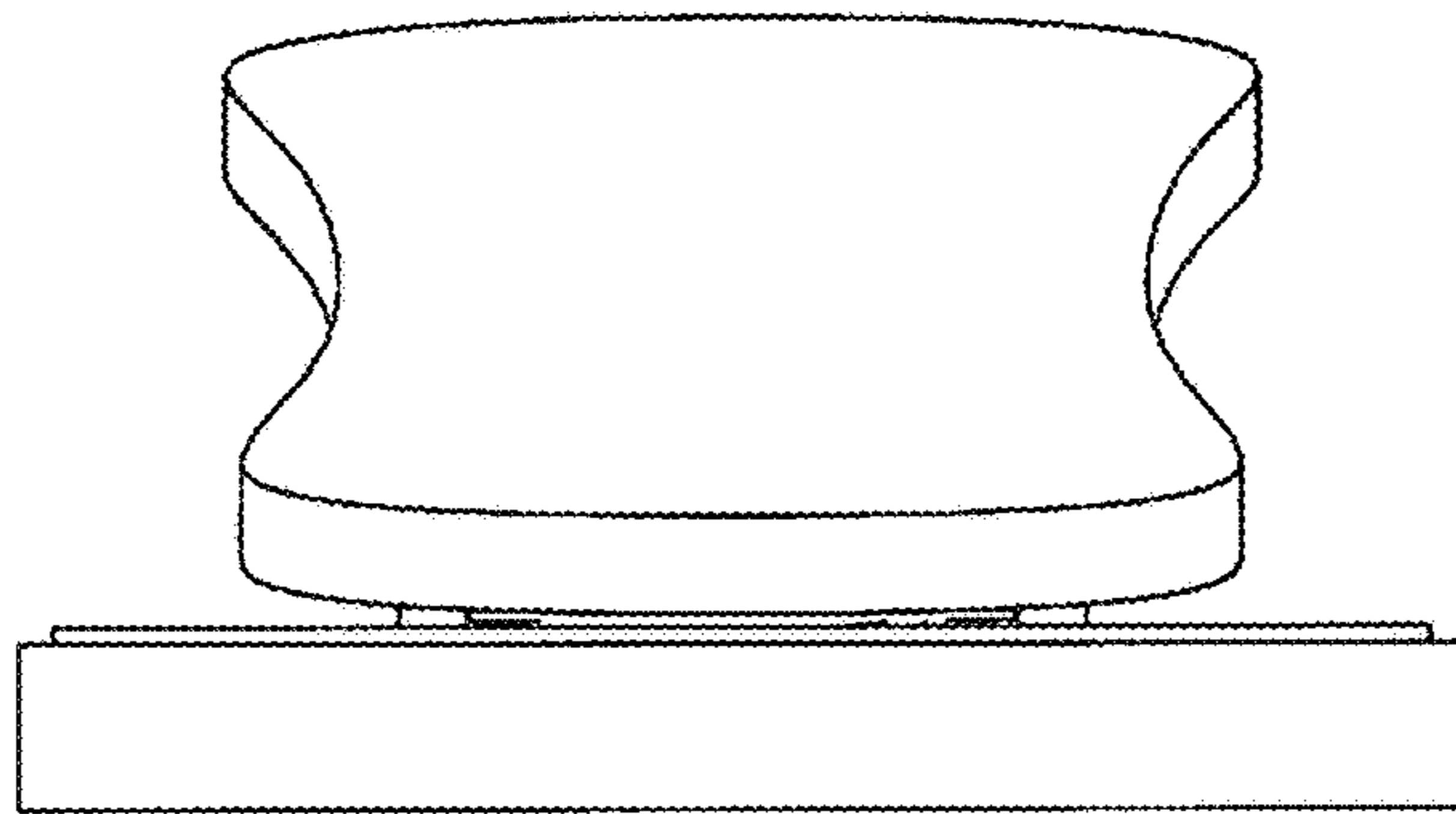


FIG. 5

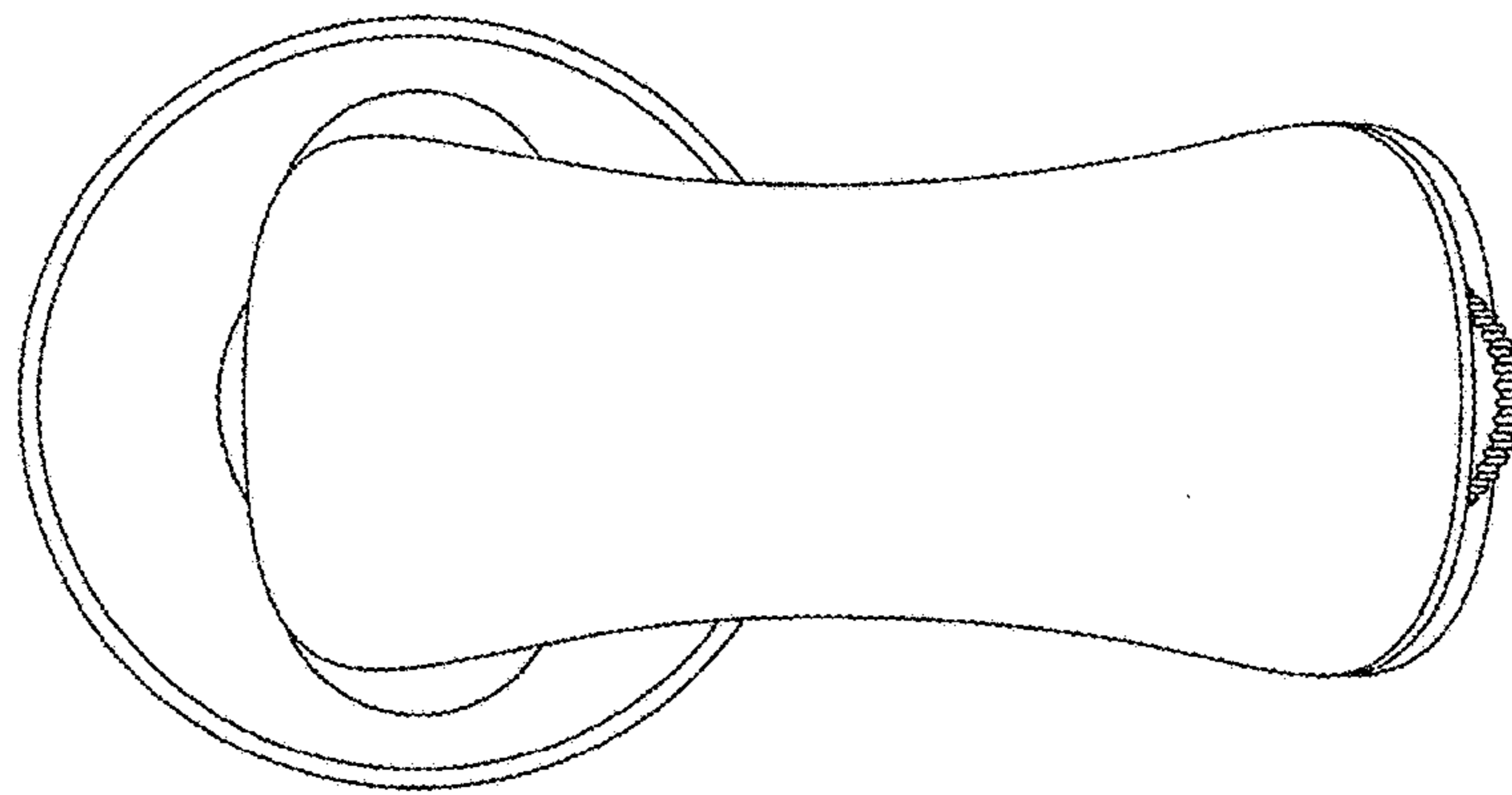


FIG. 6