

US00D859505S

(12) **United States Design Patent**  
**Wang**

(10) **Patent No.:** **US D859,505 S**

(45) **Date of Patent:** **\*\* Sep. 10, 2019**

(54) **PROJECTOR**

(71) Applicant: **Shenzhen Qianhai Value Online  
Ecommerce Co., Ltd.**, Guangdong  
(CN)

(72) Inventor: **Yan Wang**, Guangdong (CN)

(\*\*) Term: **15 Years**

(21) Appl. No.: **29/658,018**

(22) Filed: **Jul. 27, 2018**

(51) **LOC (12) Cl.** ..... **16-02**

(52) **U.S. Cl.**  
USPC ..... **D16/230**

(58) **Field of Classification Search**  
USPC ..... D16/221, 225, 229–231, 234; D21/514  
CPC ..... G03B 21/145; G03B 21/14; G03B 21/12;  
G03B 21/00; G03B 21/001; G03B  
21/003; G03B 21/16  
See application file for complete search history.

(56) **References Cited**

**U.S. PATENT DOCUMENTS**

D472,571 S \* 4/2003 Williams ..... D16/230  
D577,051 S \* 9/2008 Yamamizu ..... D16/225

D711,453 S \* 8/2014 Fujii ..... D16/225  
D757,149 S \* 5/2016 Morohoshi ..... D16/225  
9,823,463 B2 \* 11/2017 Umamine ..... G03B 21/16  
D828,431 S \* 9/2018 Gan ..... D16/230  
2016/0274444 A1 \* 9/2016 Mikutsu ..... G03B 21/145

\* cited by examiner

*Primary Examiner* — Wan Laymon

(74) *Attorney, Agent, or Firm* — Prakash Nama; Global  
IP Services, PLLC

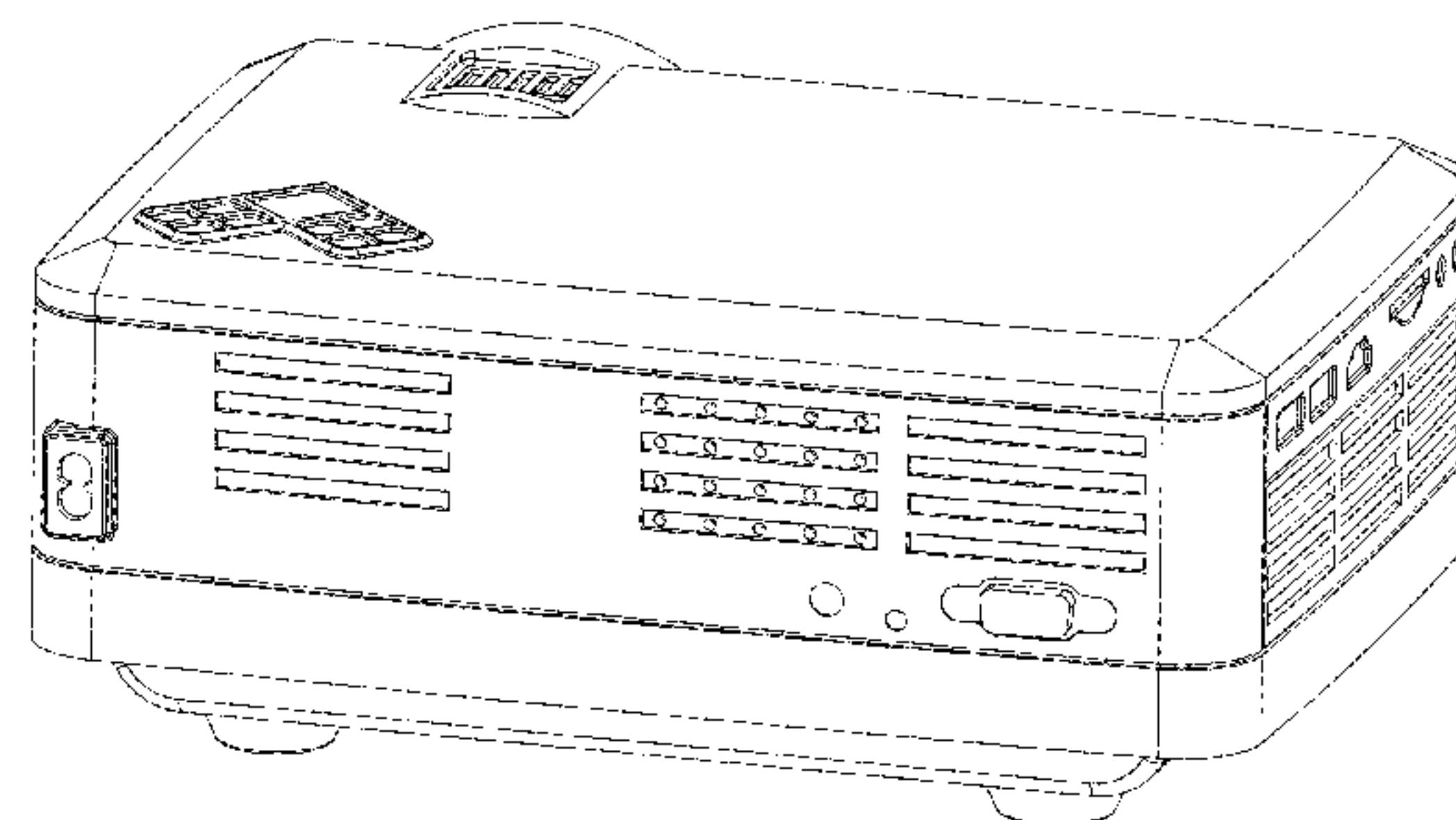
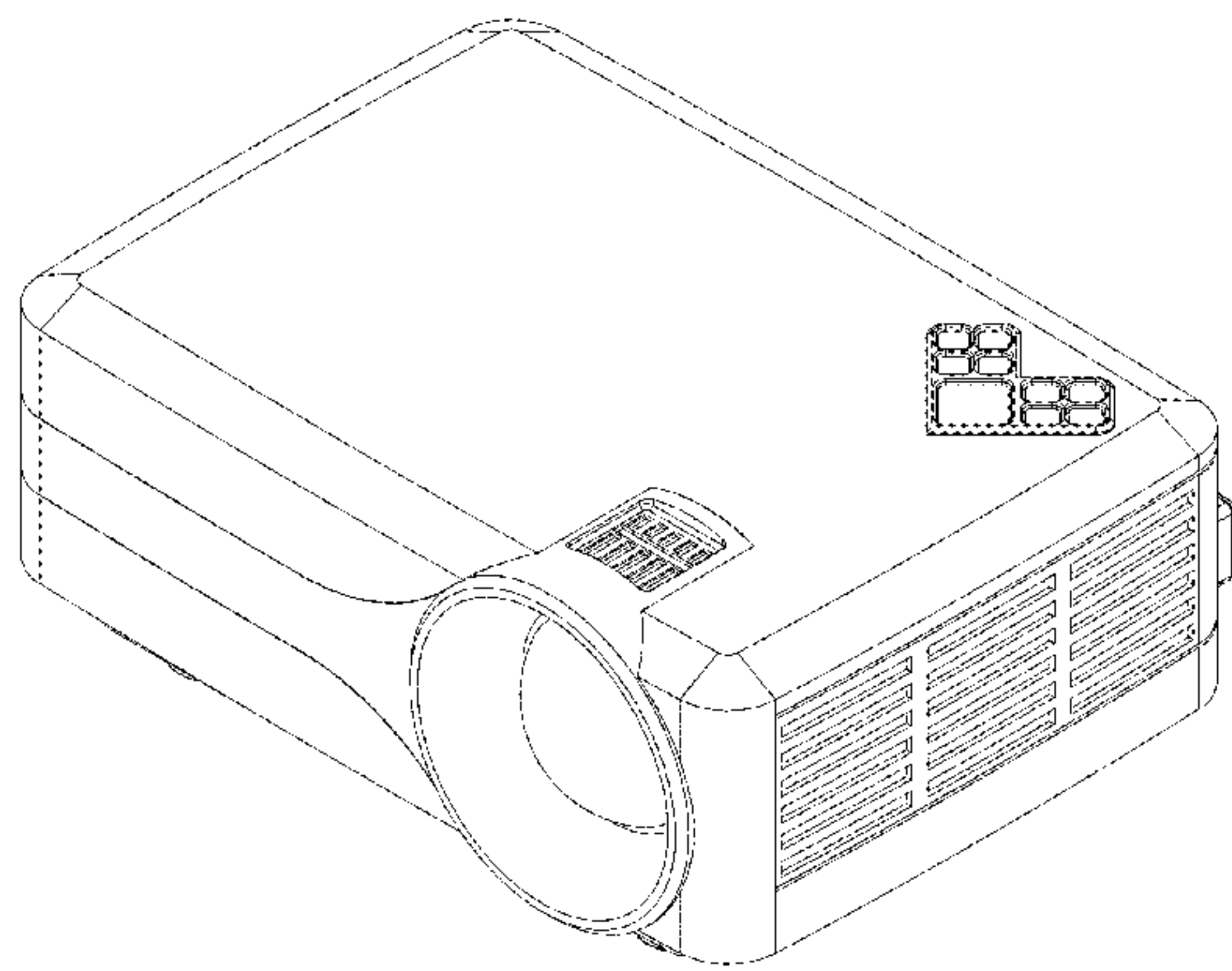
(57) **CLAIM**

The ornamental design for a projector, as shown and  
described.

**DESCRIPTION**

FIG. 1 is a front elevational view of a projector showing my  
new design;  
FIG. 2 is a rear elevational view thereof;  
FIG. 3 is a left side view thereof;  
FIG. 4 is a right side view thereof;  
FIG. 5 is a reduced top plan view thereof;  
FIG. 6 is a reduced bottom plan view thereof;  
FIG. 7 is a perspective view thereof;  
FIG. 8 is a second perspective view thereof; and,  
FIG. 9 is a third perspective view thereof.

**1 Claim, 6 Drawing Sheets**



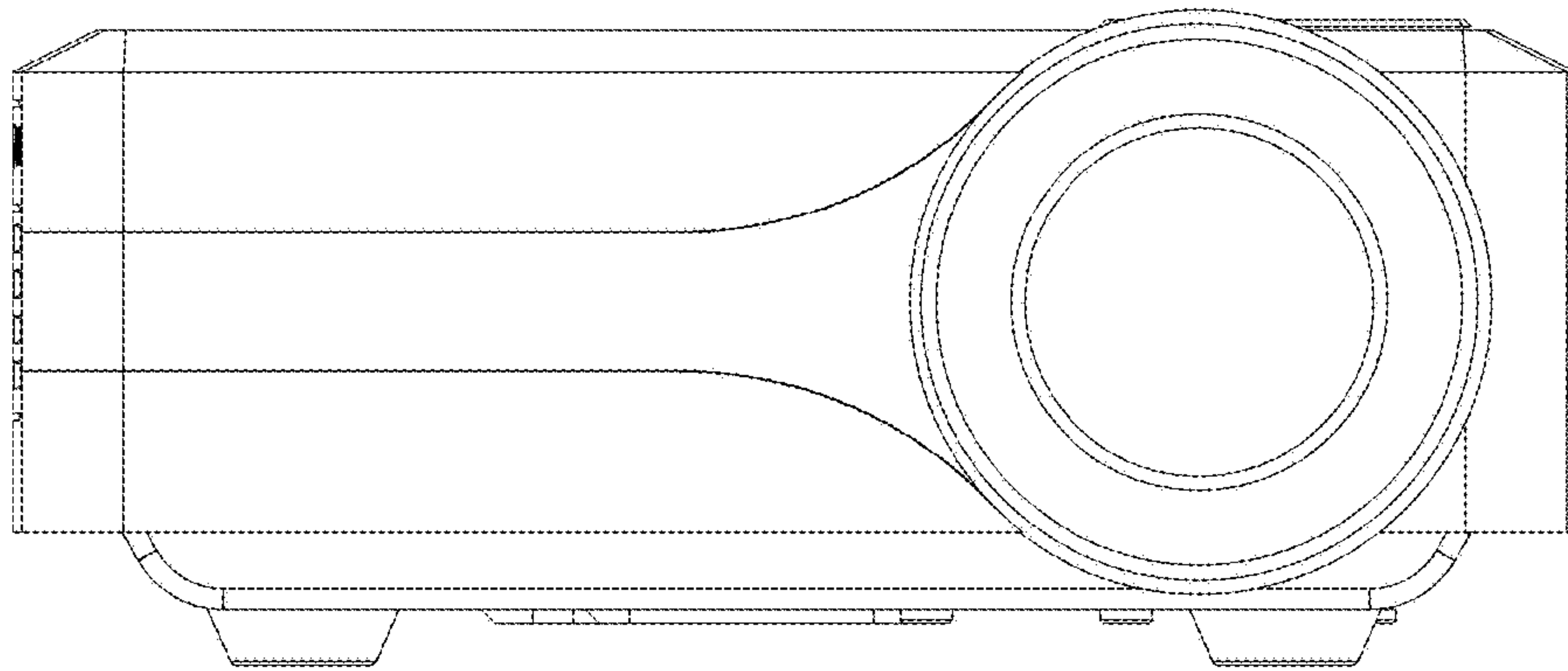


Fig. 1

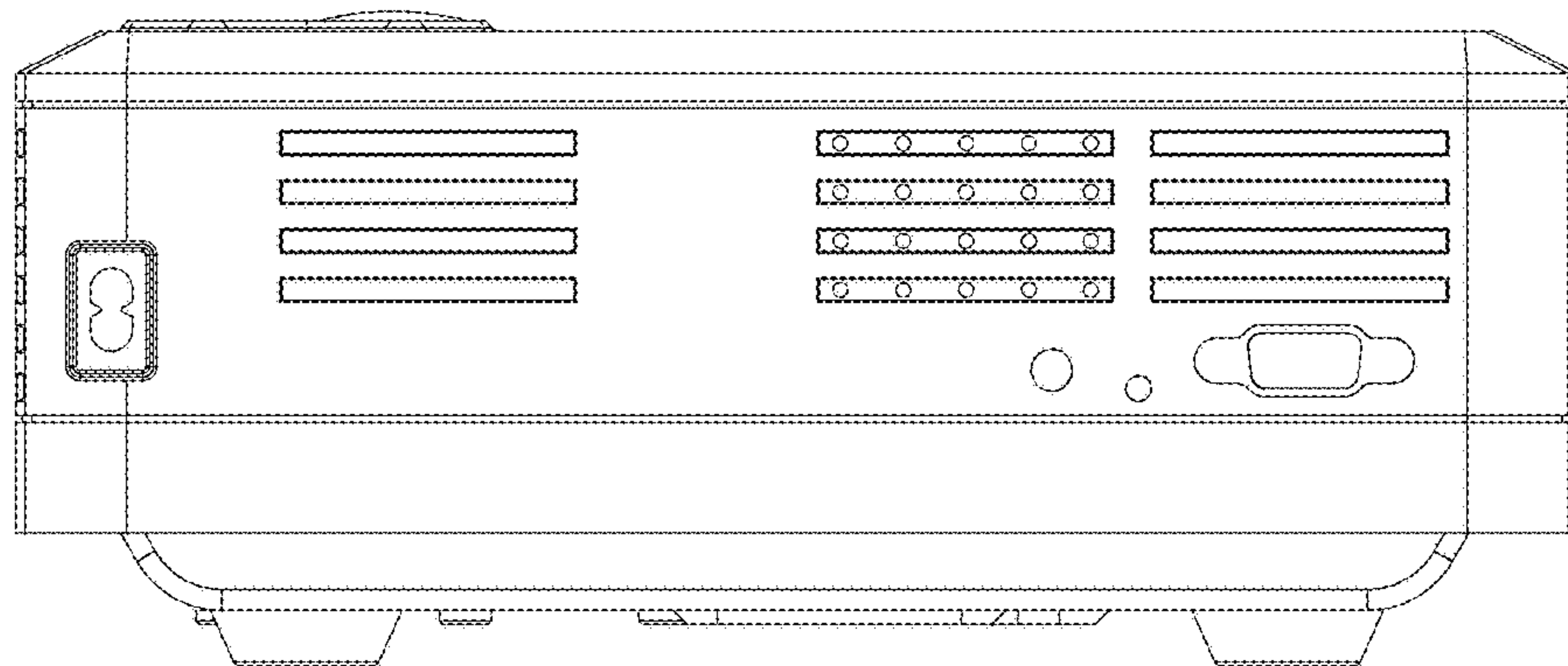


Fig. 2

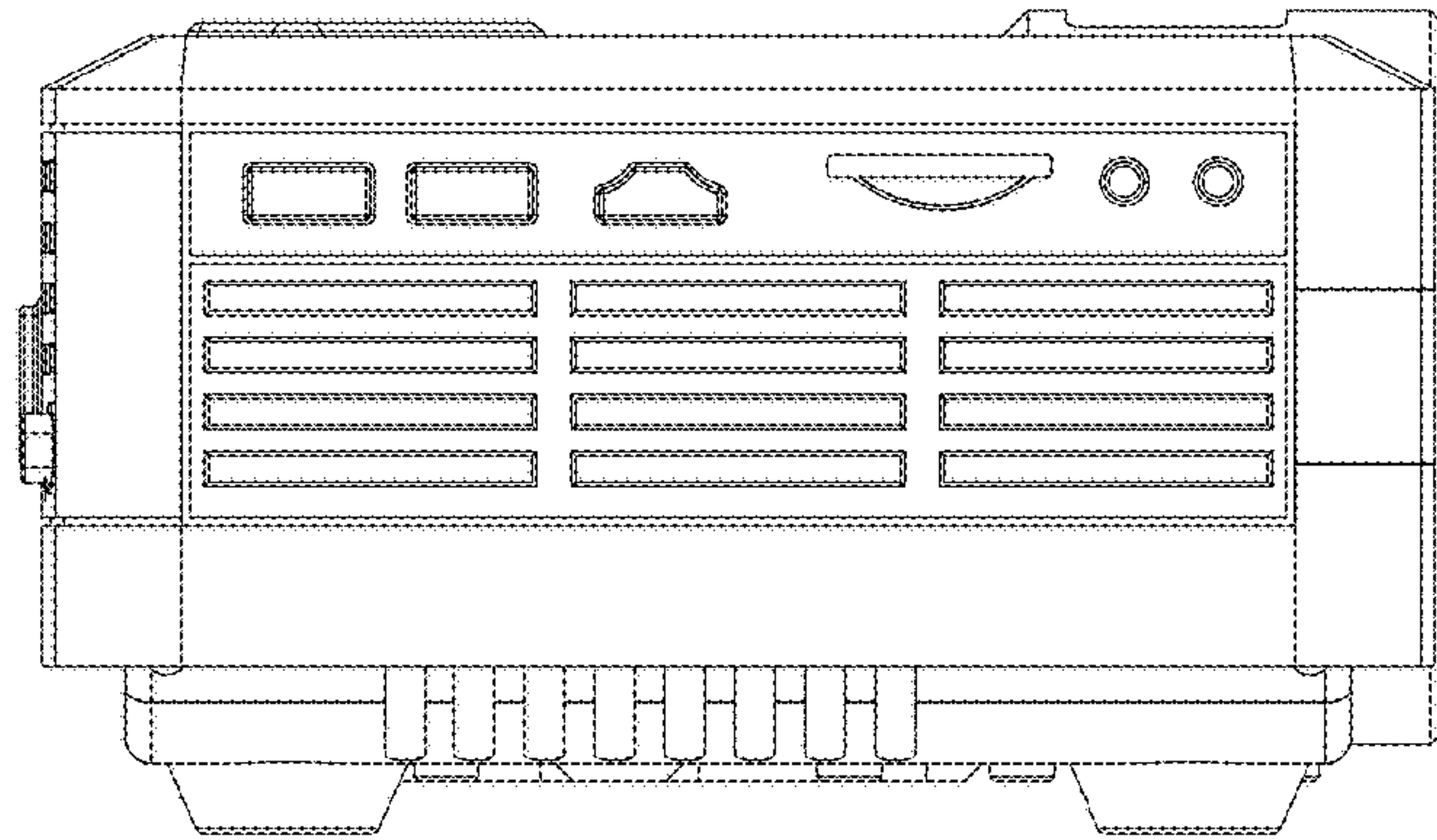


Fig. 3

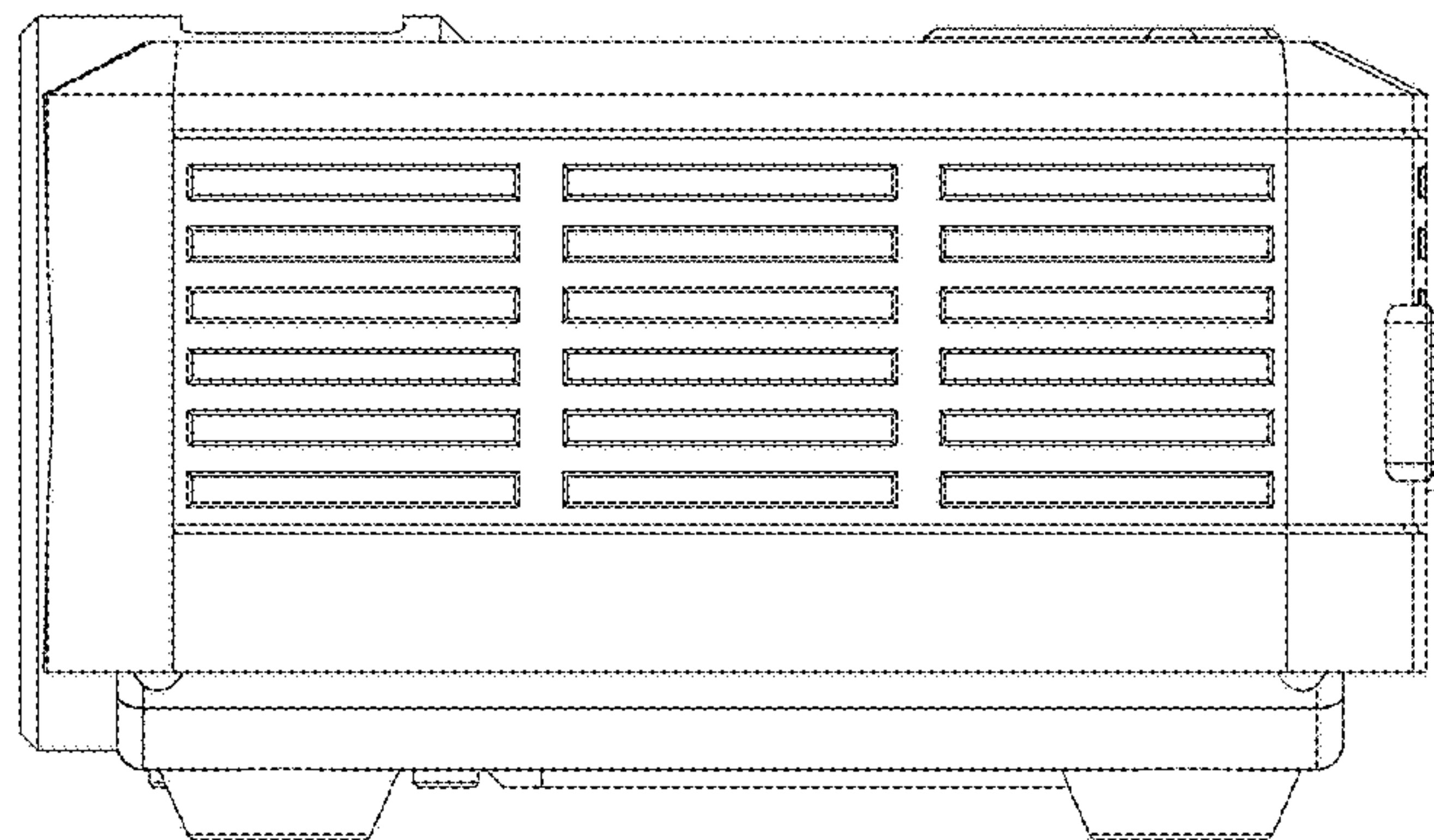


Fig. 4

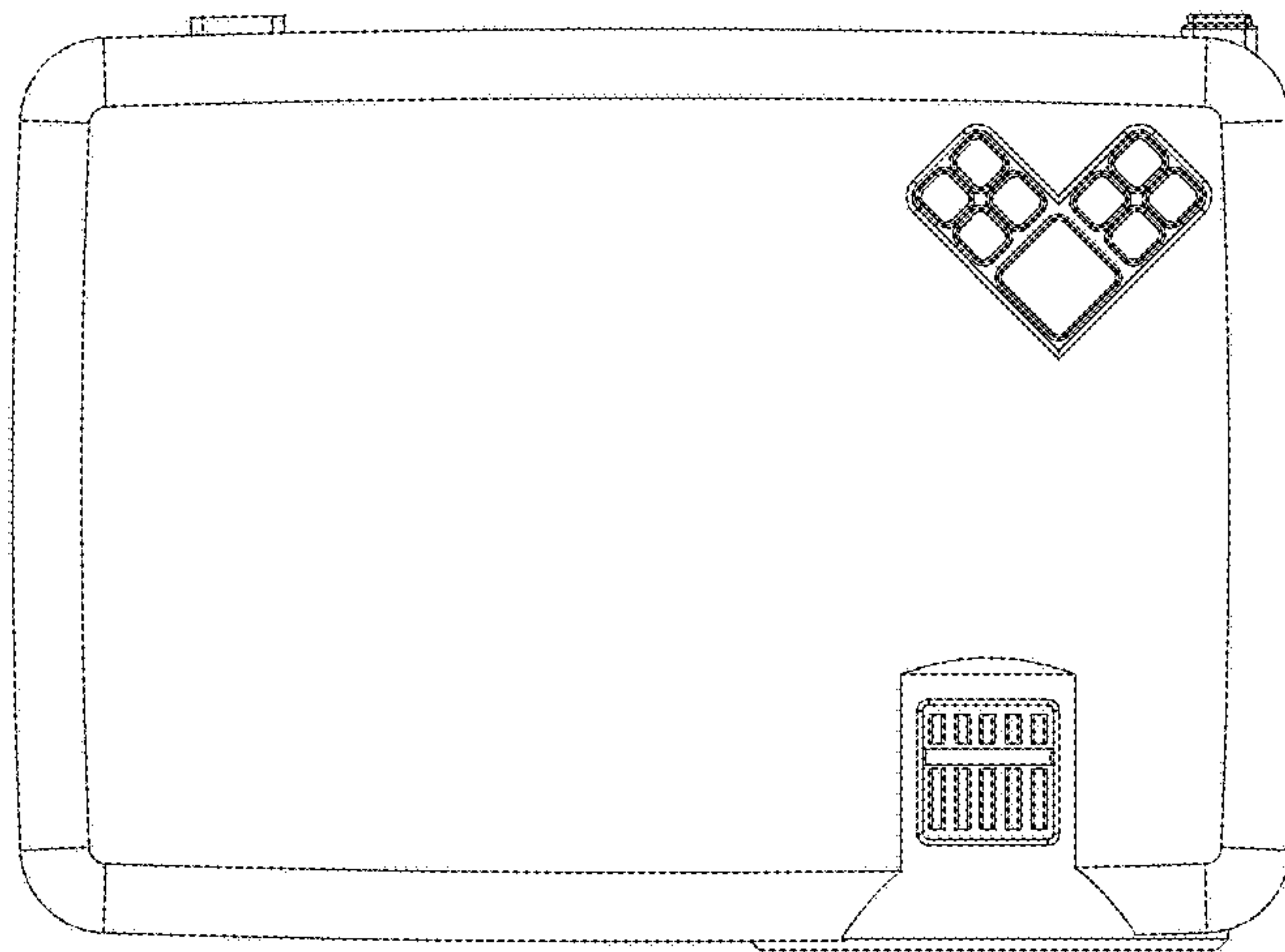


Fig. 5

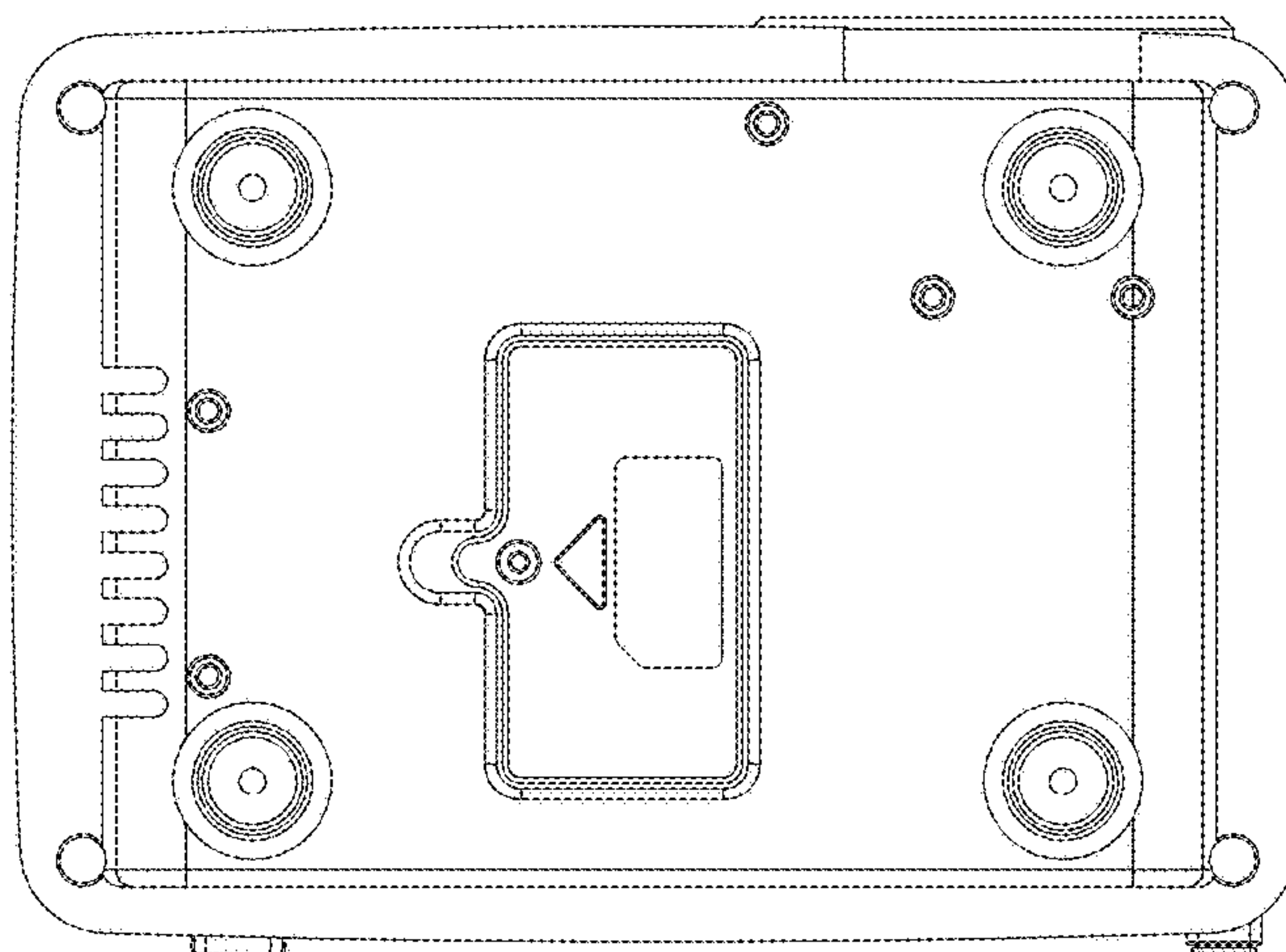


Fig. 6

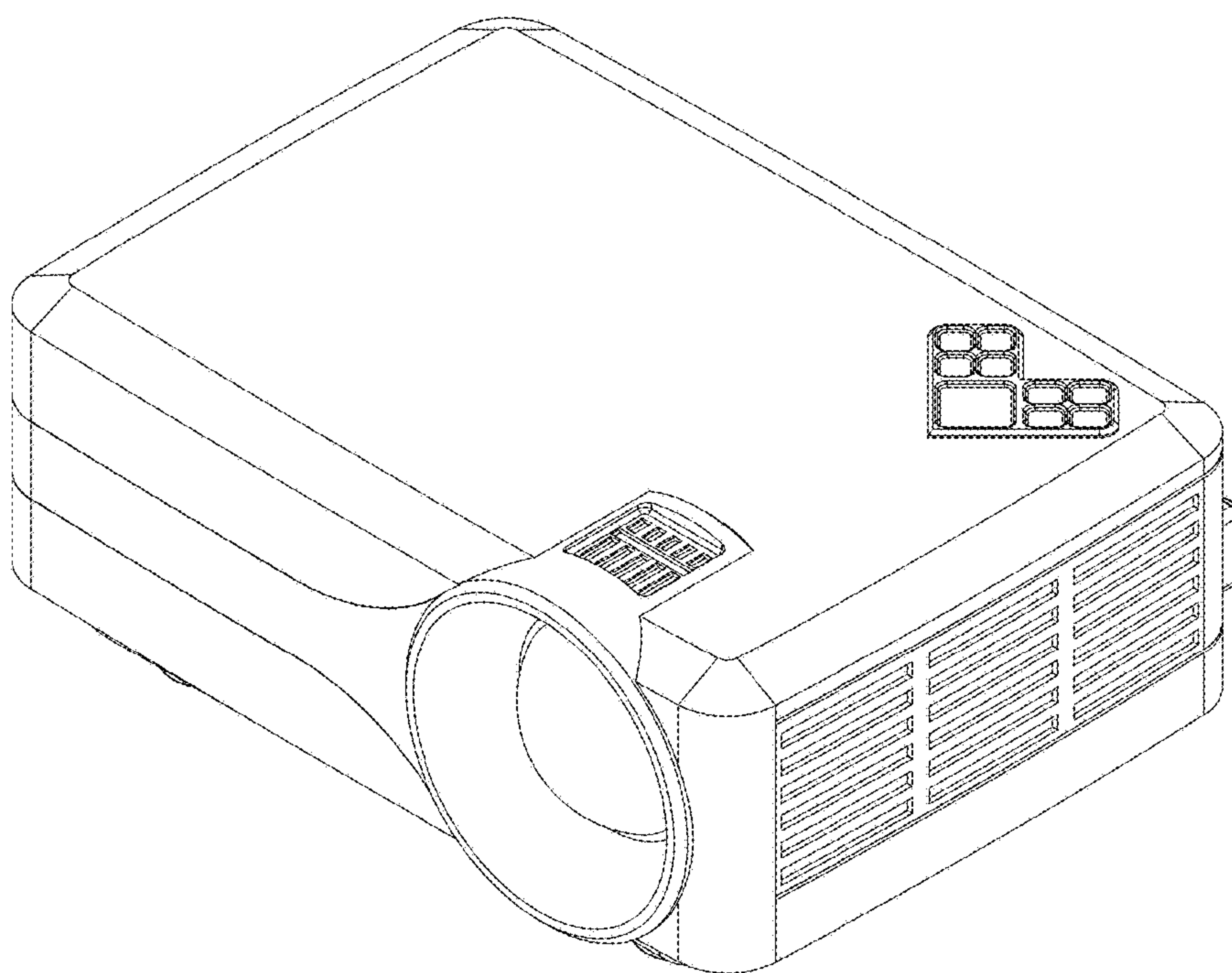


Fig. 7



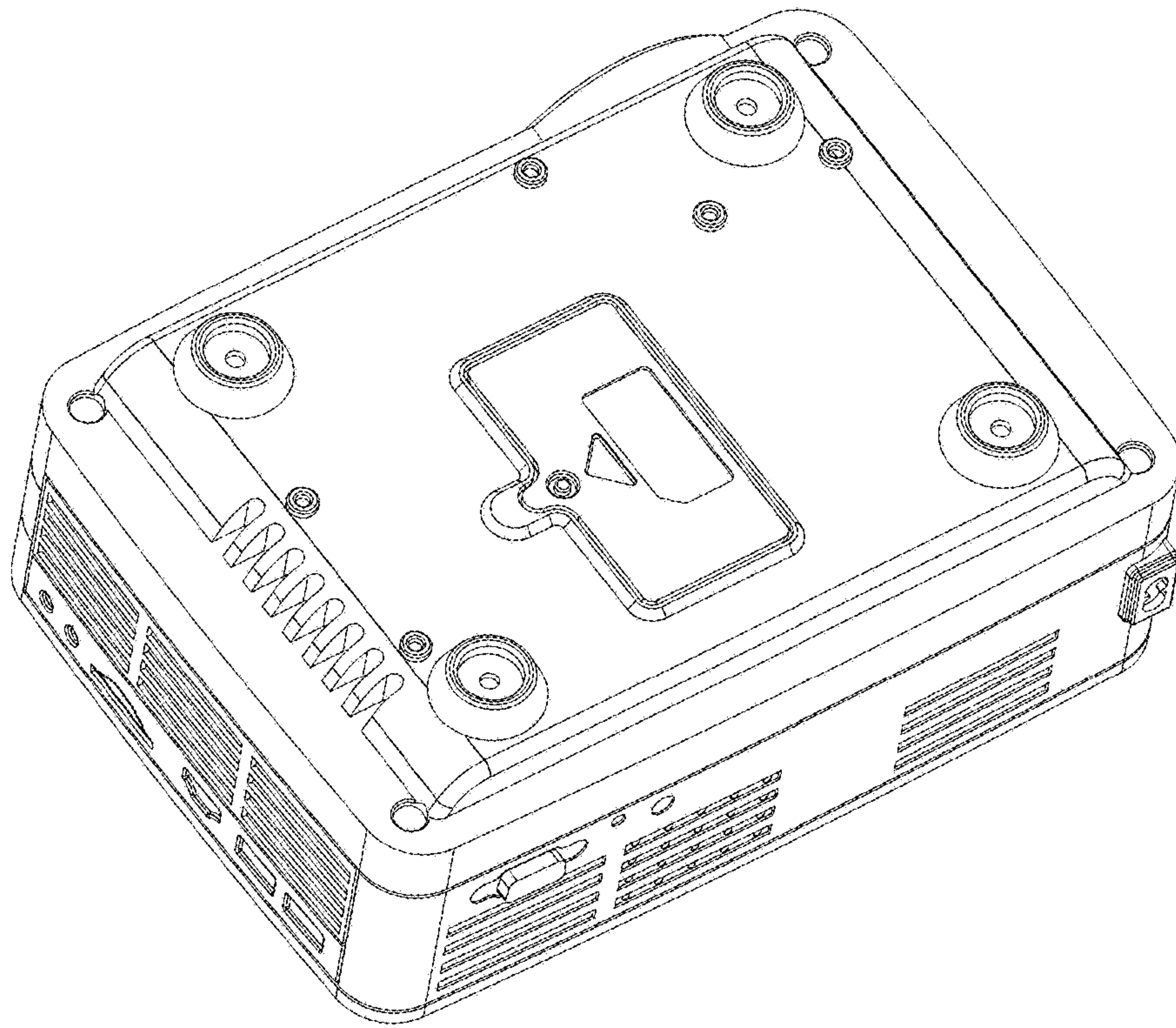


Fig. 8

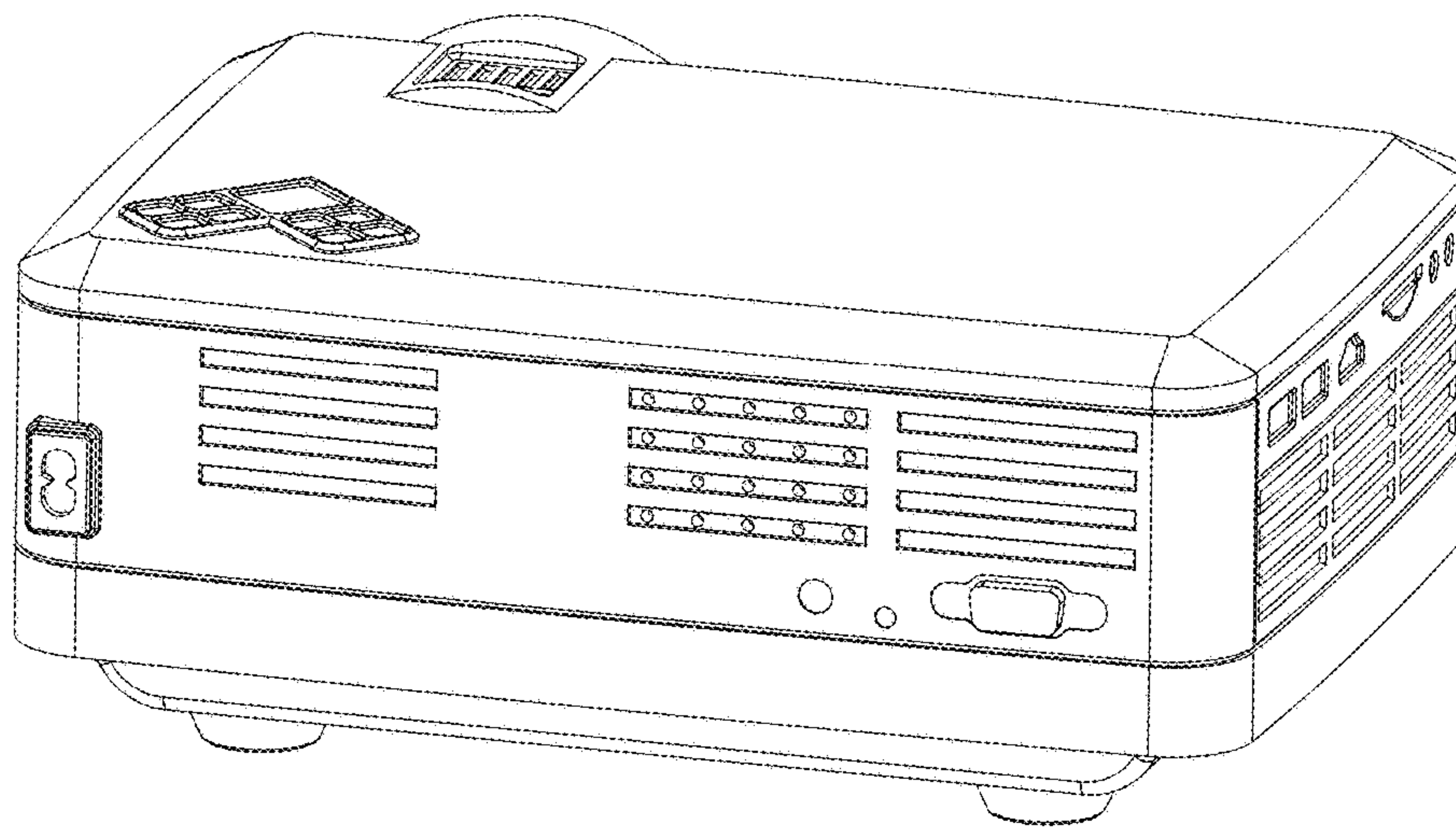


Fig. 9