

US00D859503S

(12) **United States Design Patent**  
**Saito et al.**

(10) **Patent No.:** **US D859,503 S**

(45) **Date of Patent:** **\*\* Sep. 10, 2019**

(54) **PROJECTOR**

(71) Applicant: **Maxell, Ltd.**, Kyoto (JP)

(72) Inventors: **Takeshi Saito**, Kyoto (JP); **Naoto Kubota**, Kyoto (JP)

(73) Assignee: **Maxell, Ltd.**, Kyoto (JP)

(\*\*) Term: **15 Years**

(21) Appl. No.: **29/648,645**

(22) Filed: **May 23, 2018**

(30) **Foreign Application Priority Data**

Nov. 28, 2017 (JP) ..... 2017-026436

(51) **LOC (12) Cl.** ..... **16-02**

(52) **U.S. Cl.**  
USPC ..... **D16/230**

(58) **Field of Classification Search**  
USPC ..... D16/221, 225, 230-231, 234; D21/514;  
353/119  
CPC .... G03B 21/145; G03B 21/14; G03B 21/142;  
G03B 21/00; G03B 21/001; G03B  
21/003; G03B 21/12; G03B 21/16  
See application file for complete search history.

(56) **References Cited**

**U.S. PATENT DOCUMENTS**

D466,143 S \* 11/2002 Torikai ..... D16/230  
D475,729 S \* 6/2003 Shiota ..... D16/225

7,014,320 B2 \* 3/2006 Shiraiishi ..... G03B 21/16  
348/748  
D577,051 S \* 9/2008 Yamamizu ..... D16/225  
D627,387 S \* 11/2010 Kawaguchi ..... D16/225  
D636,426 S \* 4/2011 Kawaguchi ..... D16/225  
D683,782 S \* 6/2013 Ishibashi ..... D16/230  
D757,148 S \* 5/2016 Amikura ..... D16/230  
D774,586 S \* 12/2016 Yamamoto ..... D16/225

\* cited by examiner

*Primary Examiner* — Wan Laymon

(74) *Attorney, Agent, or Firm* — Mattingly & Malur, PC

(57) **CLAIM**

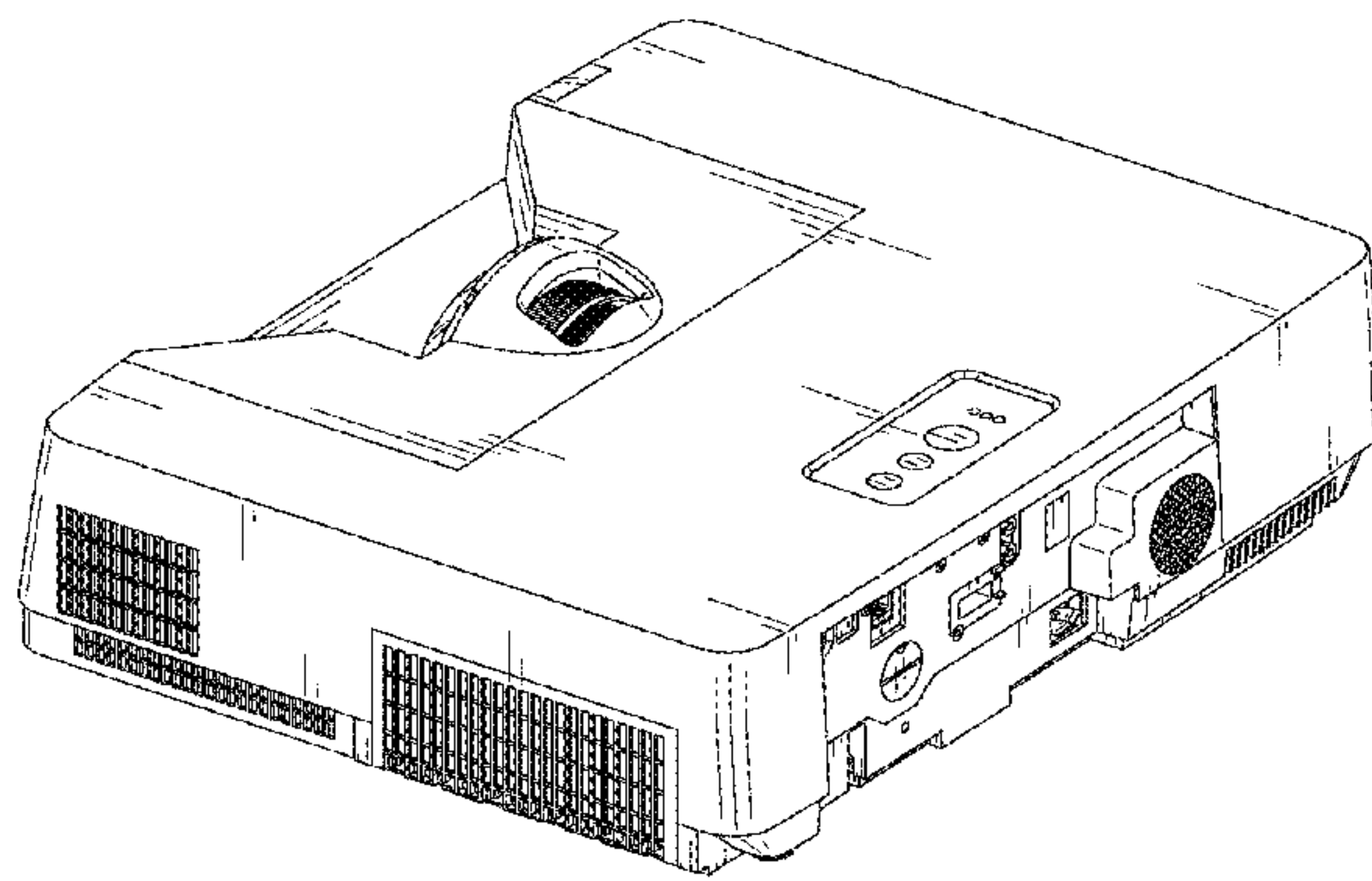
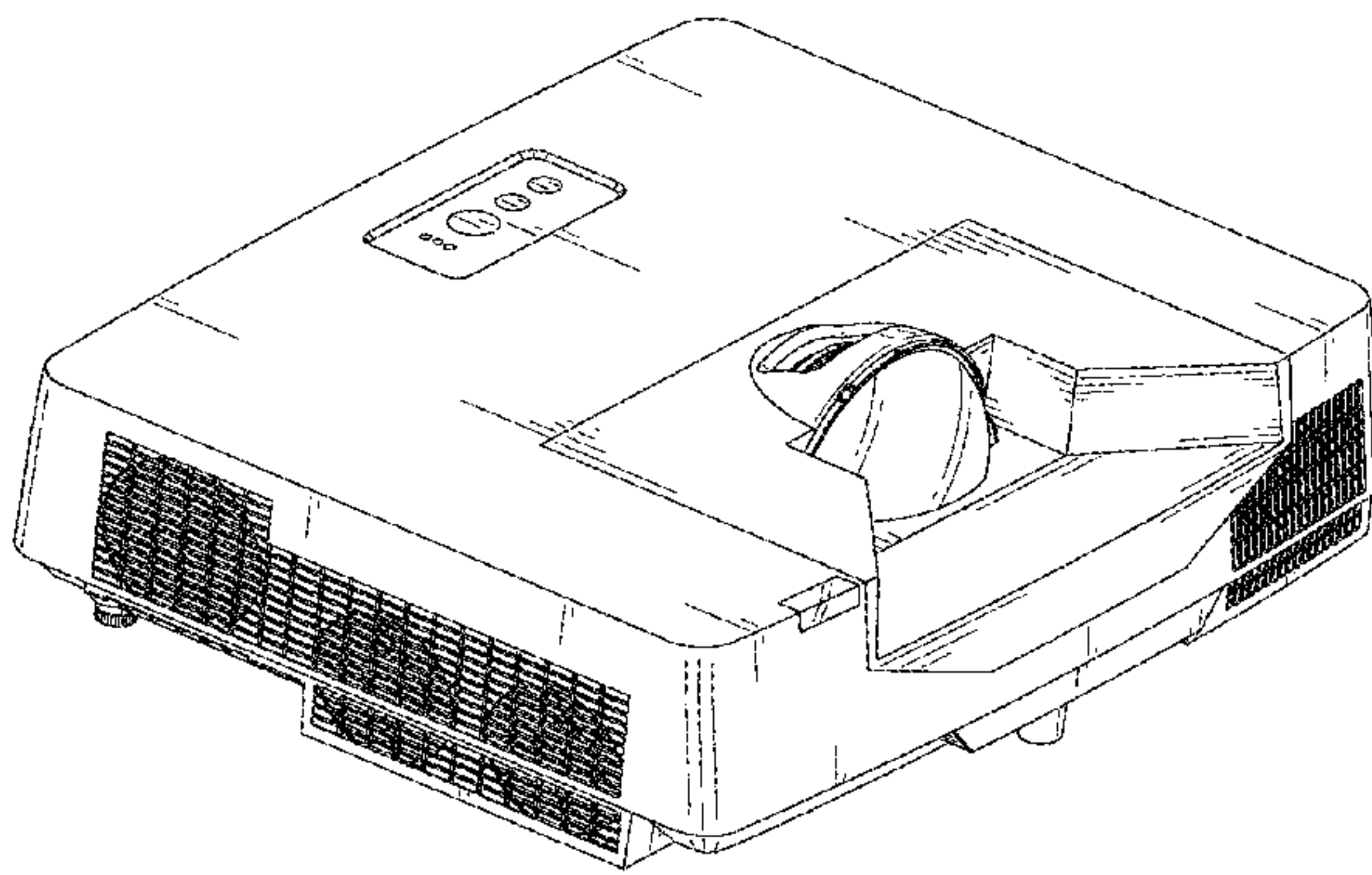
The ornamental design for a projector, as shown and described.

**DESCRIPTION**

FIG. 1 is a front, top and left side perspective view of a projector showing our new design;  
FIG. 2 is a rear, top and right side perspective view thereof;  
FIG. 3 is a front elevational view thereof;  
FIG. 4 is a top plan view thereof;  
FIG. 5 is a right side elevational view thereof;  
FIG. 6 is a left side elevational view thereof;  
FIG. 7 is a rear elevational view thereof;  
FIG. 8 is a bottom plan view thereof; and,  
FIG. 9 is a cross-sectional view take along line 9-9 in FIG. 3.

The broken lines shown in the drawings represent portions of the projector that form no part of the claimed design.

**1 Claim, 4 Drawing Sheets**



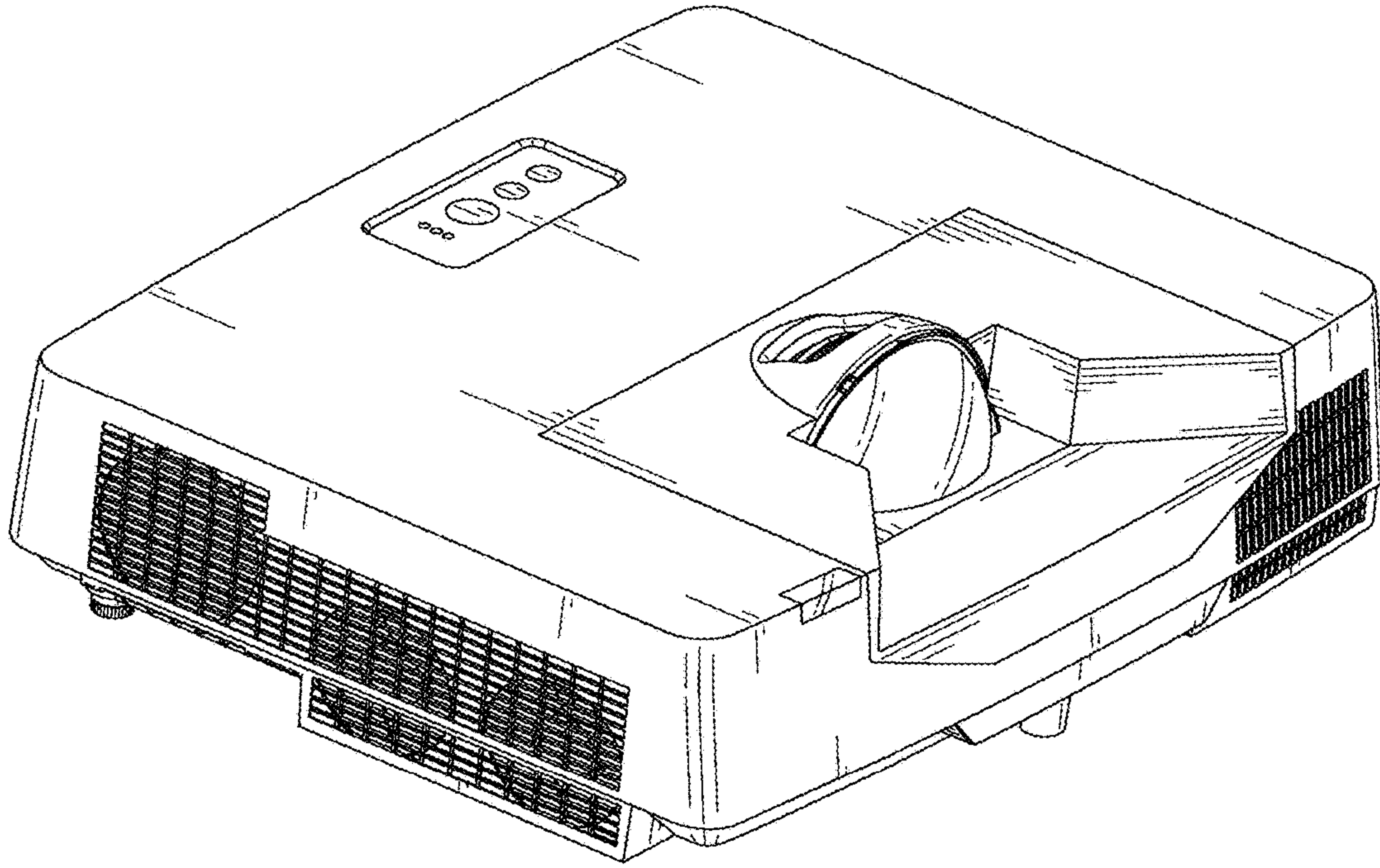


FIG. 1

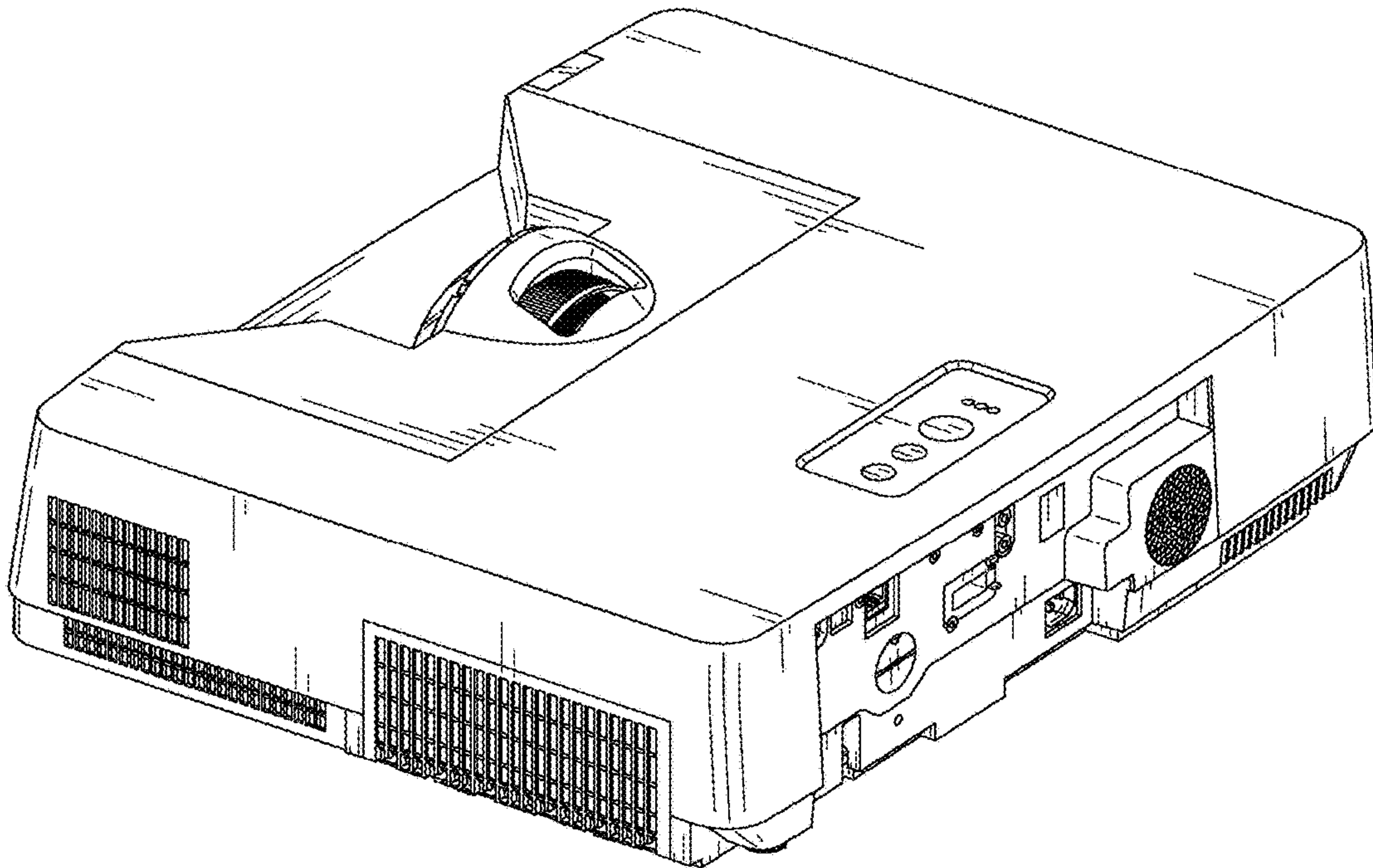


FIG. 2



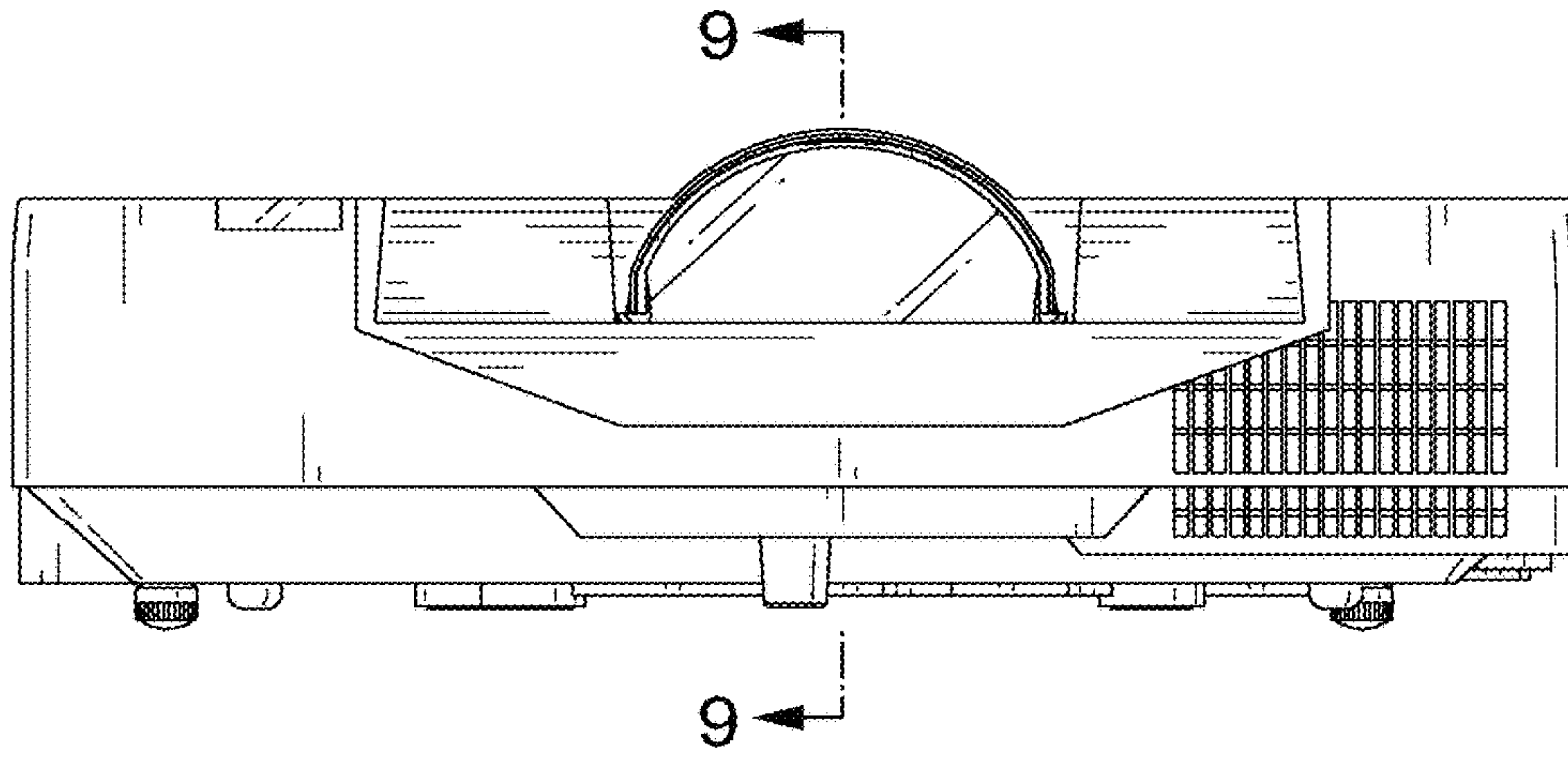


FIG. 3

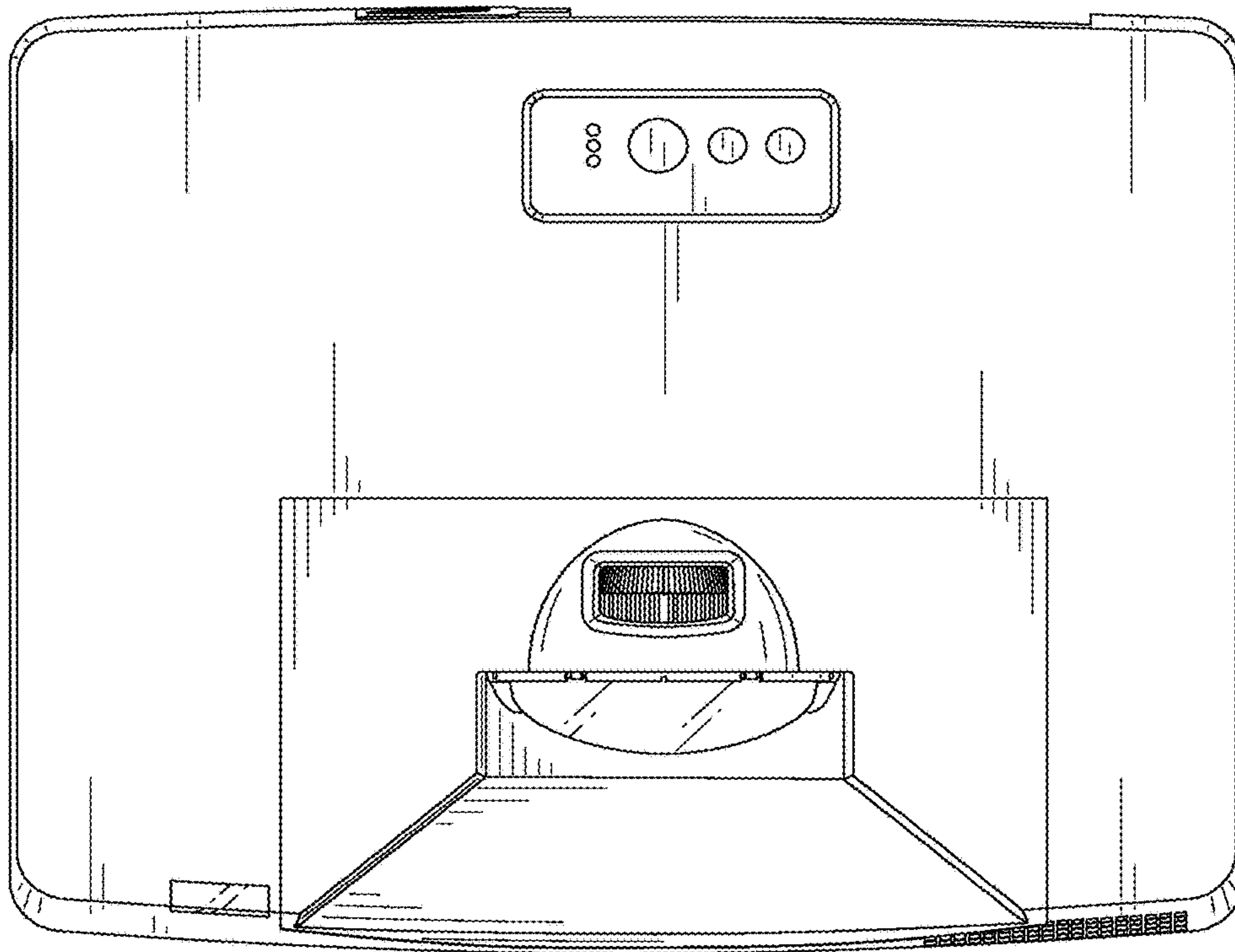


FIG. 4

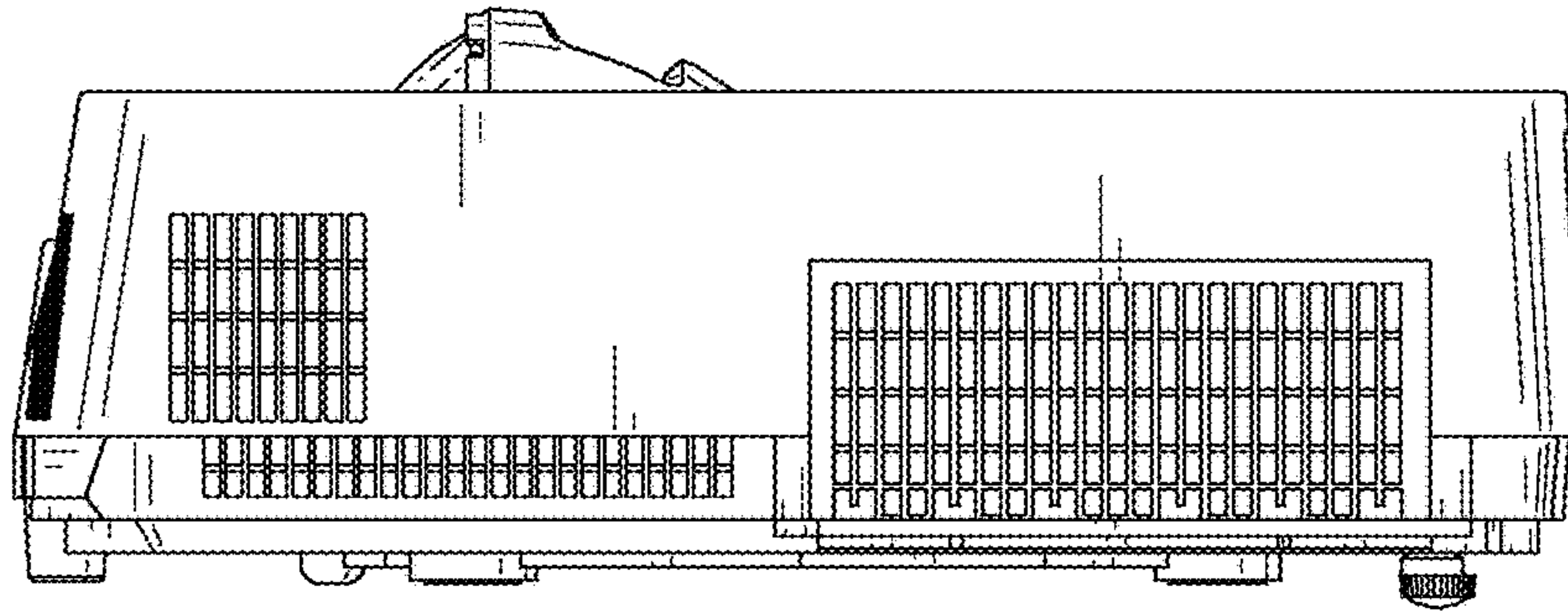


FIG. 5

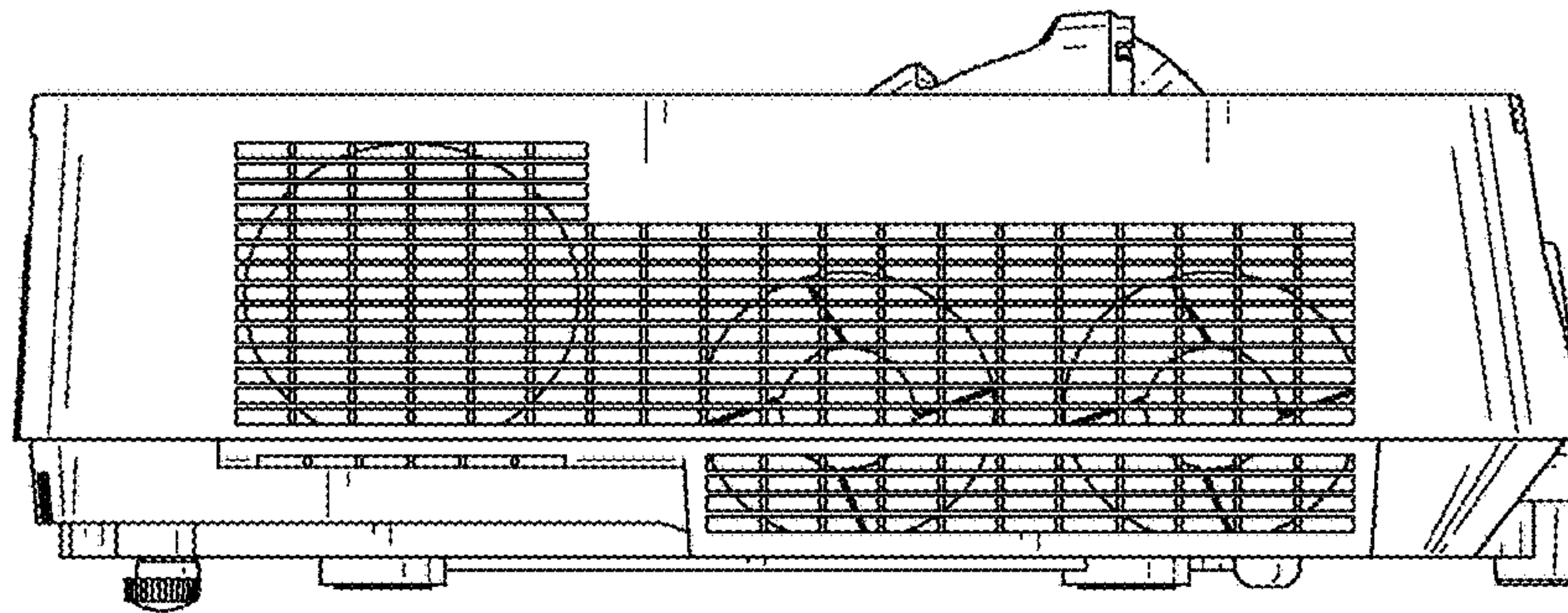


FIG. 6

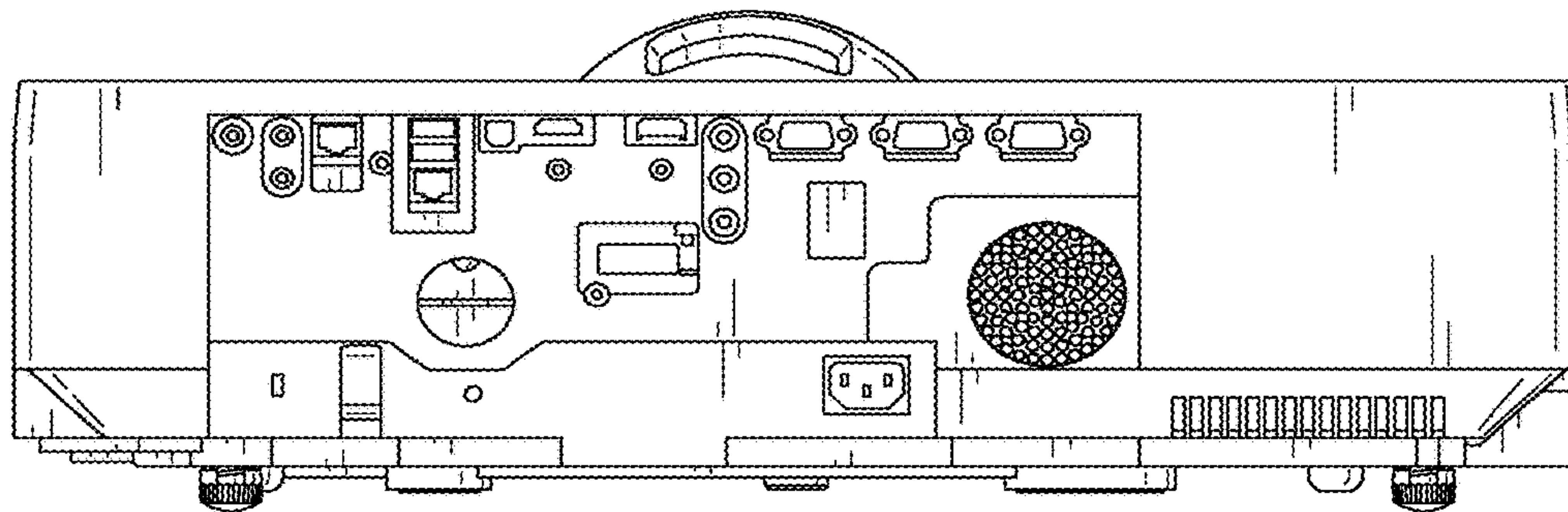


FIG. 7

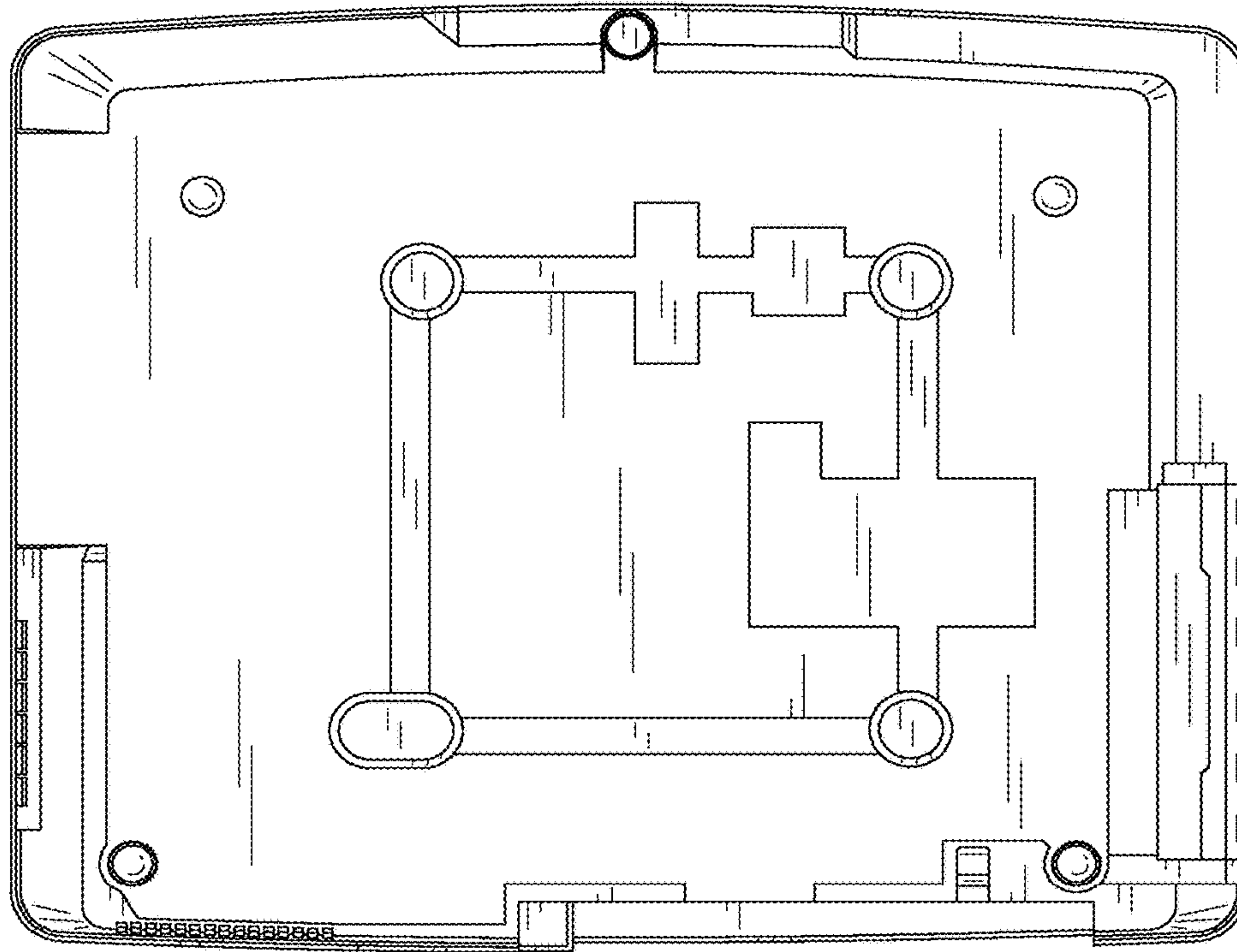


FIG. 8

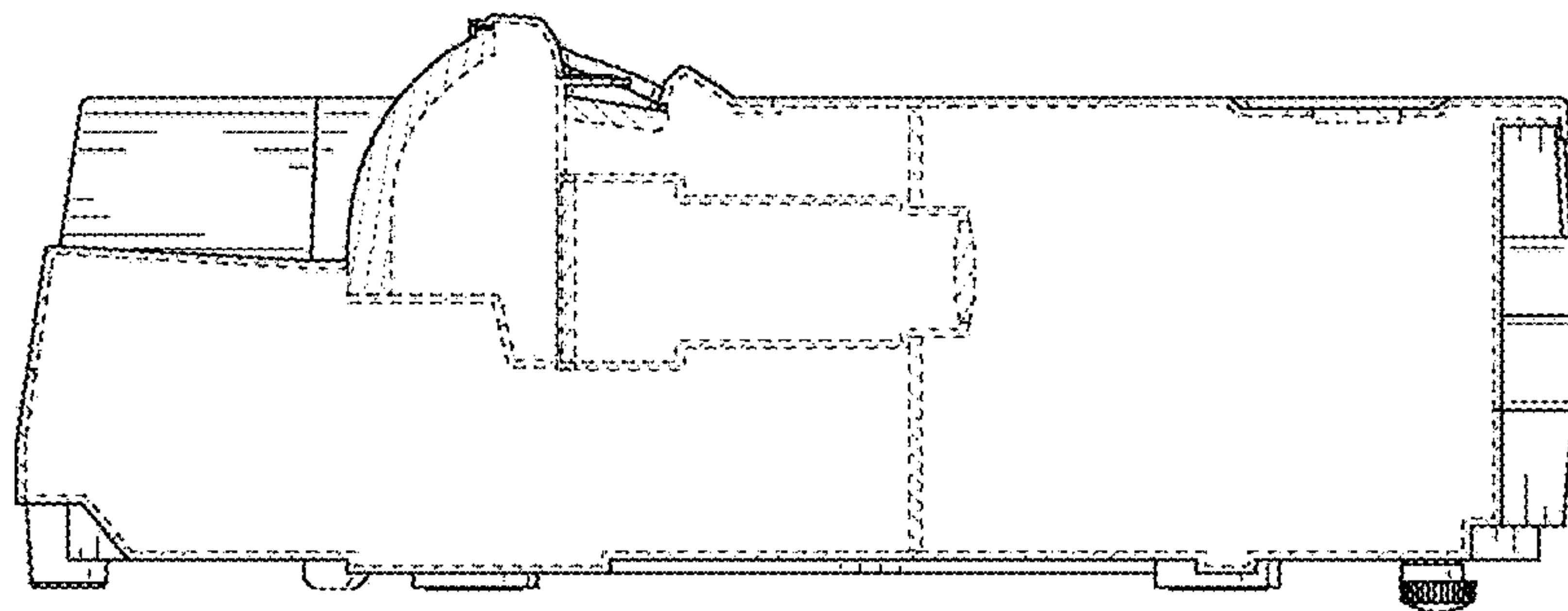


FIG. 9