



US00D859501S

(12) **United States Design Patent**
Moncino et al.

(10) **Patent No.:** **US D859,501 S**

(45) **Date of Patent:** **** Sep. 10, 2019**

(54) **CAMERA**

(71) Applicant: **FLIR Systems, Inc.**, Wilsonville, OR (US)

(72) Inventors: **Kai Moncino**, Santa Barbara, CA (US);
Marcel Tremblay, Goleta, CA (US);
John H. Distelzweig, Santa Barbara, CA (US)

(73) Assignee: **FLIR SYSTEMS, INC.**, Wilsonville, OR (US)

(**) Term: **15 Years**

(21) Appl. No.: **29/630,885**

(22) Filed: **Dec. 22, 2017**

(51) **LOC (12) Cl.** **16-05**

(52) **U.S. Cl.**
USPC **D16/219**

(58) **Field of Classification Search**
USPC D16/200, 202–206, 208–209, 218, 219,
D16/221, 230; 348/373–376; 396/535,
396/539–541

CPC G03B 15/03; G03B 17/02; G03B 17/04;
G03B 17/56; G03B 19/04; H04N 5/2251;
H04N 5/2252; H04N 5/2253; H04N
5/2254; H04N 2101/00

See application file for complete search history.

(56) **References Cited**

U.S. PATENT DOCUMENTS

D417,681 S	*	12/1999	Hayashi	D16/134
D563,446 S	*	3/2008	Stephens	D16/202
D626,580 S	*	11/2010	Tzeng	D16/202
D628,223 S	*	11/2010	Kao	D16/202
D702,749 S	*	4/2014	Kim	D16/219
D702,751 S	*	4/2014	Yoon	D16/219
D704,240 S	*	5/2014	McBride	D16/203

D715,661 S		10/2014	McKaughan et al.	
D715,662 S		10/2014	Aicher et al.	
D723,395 S		3/2015	Dispenza et al.	
D726,803 S	*	4/2015	Noh D16/219
D737,358 S	*	8/2015	Park D16/219
D737,698 S		9/2015	Dispenza et al.	
D741,931 S	*	10/2015	Huang D16/202
D741,934 S	*	10/2015	Stark D16/203
D741,938 S	*	10/2015	Lee D16/219
D743,471 S	*	11/2015	Oh D16/134
D743,475 S	*	11/2015	Cover D16/203
D745,916 S	*	12/2015	Oh D16/134
D746,352 S	*	12/2015	Ryterski D16/219
D747,754 S	*	1/2016	Smith D16/203
D748,179 S	*	1/2016	Scalisi D10/118.2
D777,820 S	*	1/2017	Zhang D16/218
D787,581 S	*	5/2017	Moller-Lewin D16/203
D809,048 S	*	1/2018	Andersson D16/203
D812,123 S	*	3/2018	Shioguchi D16/218

(Continued)

Primary Examiner — Ramzi S Almatrahi

(74) *Attorney, Agent, or Firm* — Haynes and Boone, LLP

(57) **CLAIM**

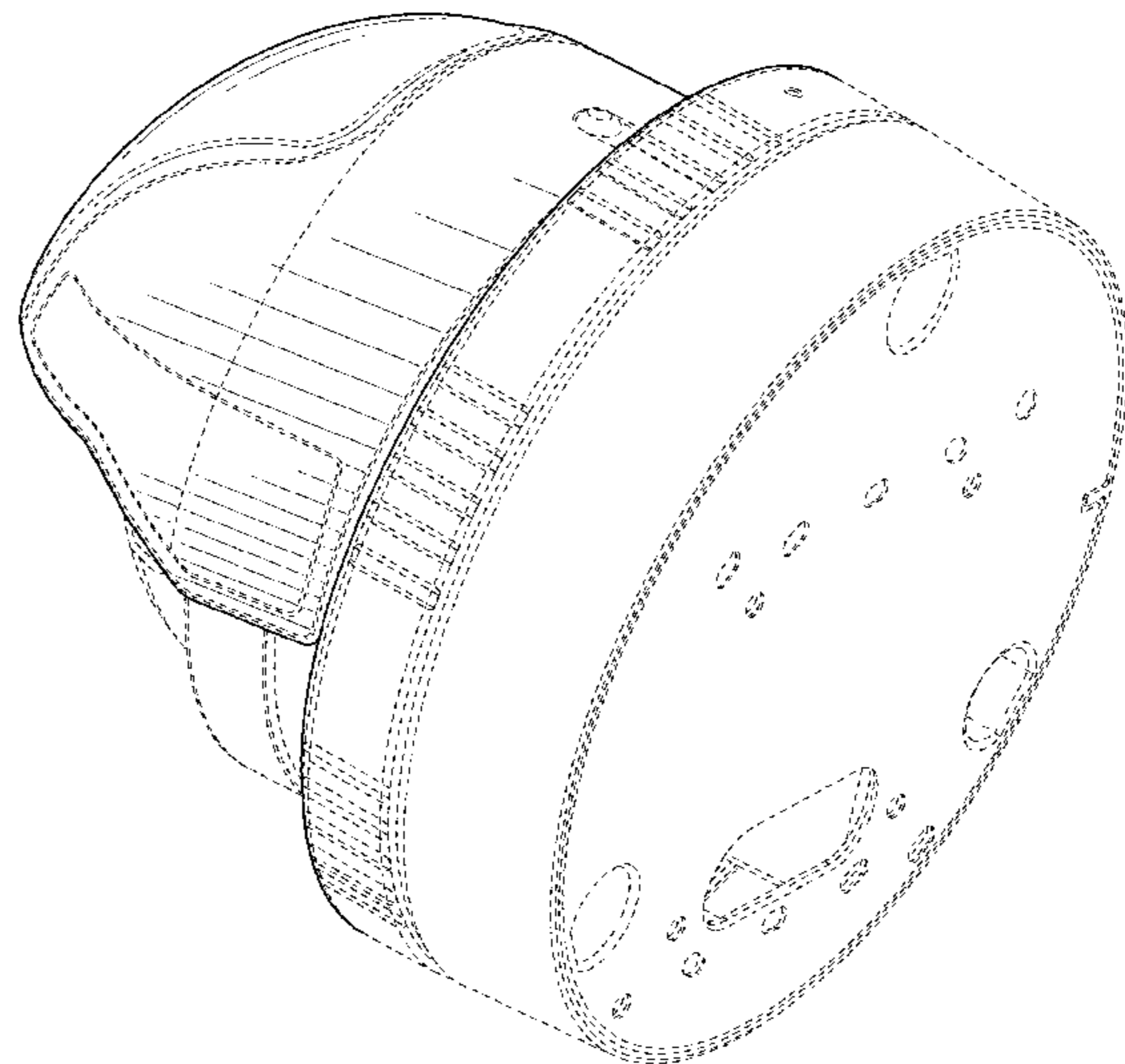
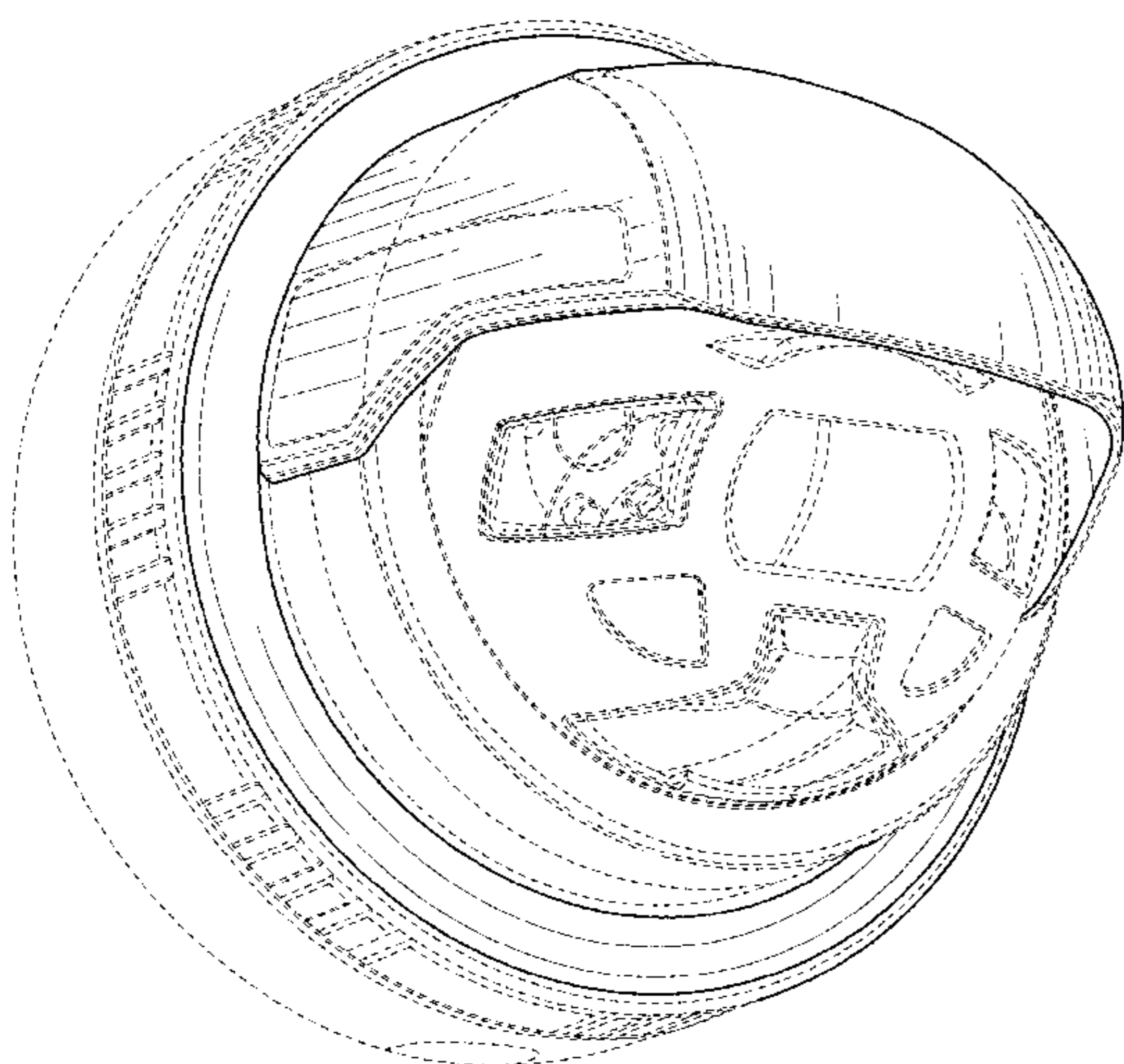
The ornamental design for a camera, as shown and described.

DESCRIPTION

FIG. 1 is a front, right, and bottom perspective view of a camera embodying the new design;
FIG. 2 is a rear, left, and top perspective view thereof;
FIG. 3 is a front elevational view thereof;
FIG. 4 is a rear elevational view thereof;
FIG. 5 is a right side view thereof;
FIG. 6 is a left side view thereof;
FIG. 7 is a top plan view thereof; and,
FIG. 8 is a bottom plan view thereof.

The broken lines depict portions of the camera in which the design is embodied that form no part of the claimed design.

1 Claim, 8 Drawing Sheets



(56)

References Cited

U.S. PATENT DOCUMENTS

D819,106 S * 5/2018 Elmich D16/202
D821,482 S * 6/2018 Bacon D16/237

* cited by examiner

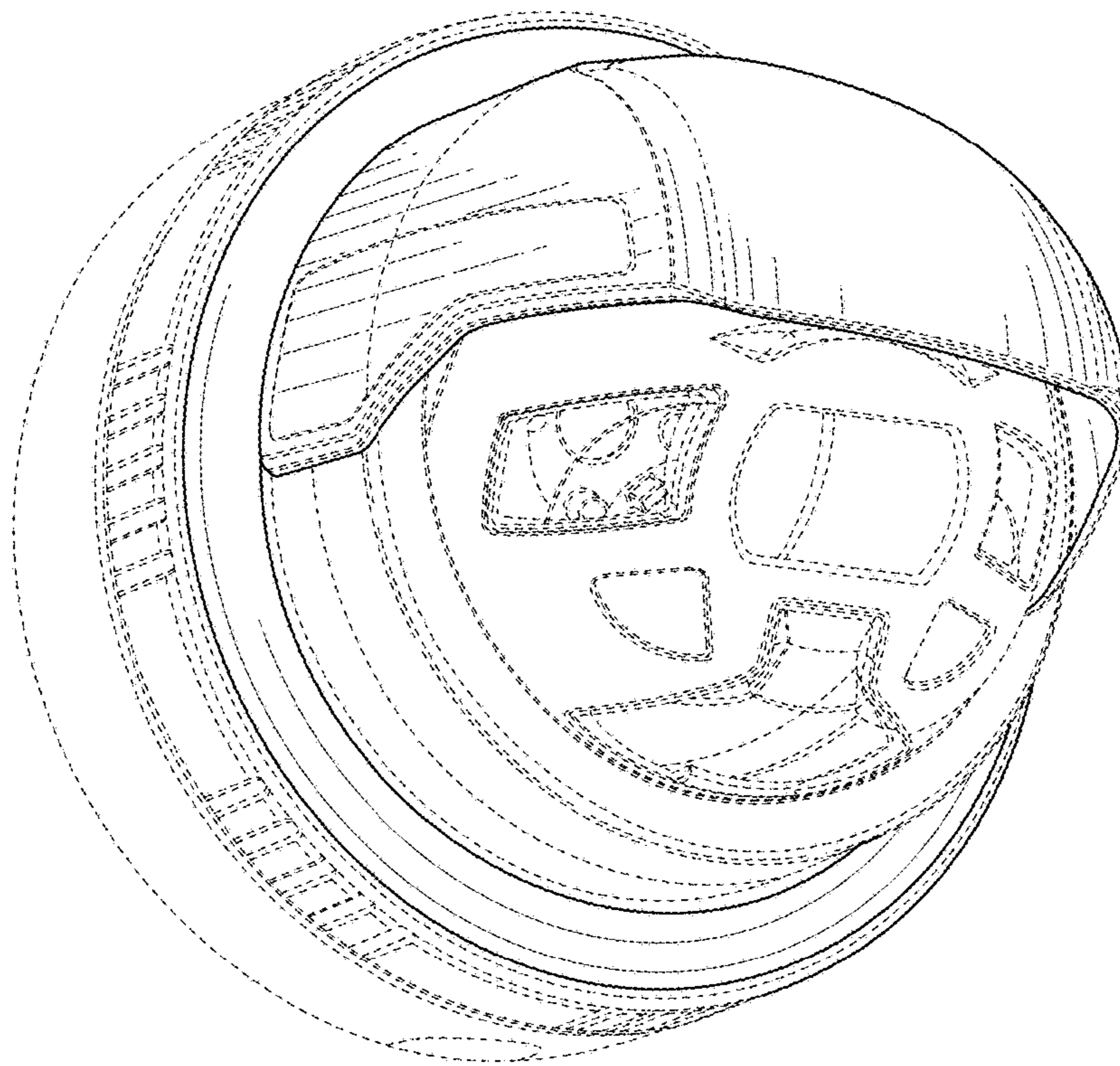


FIG. 1

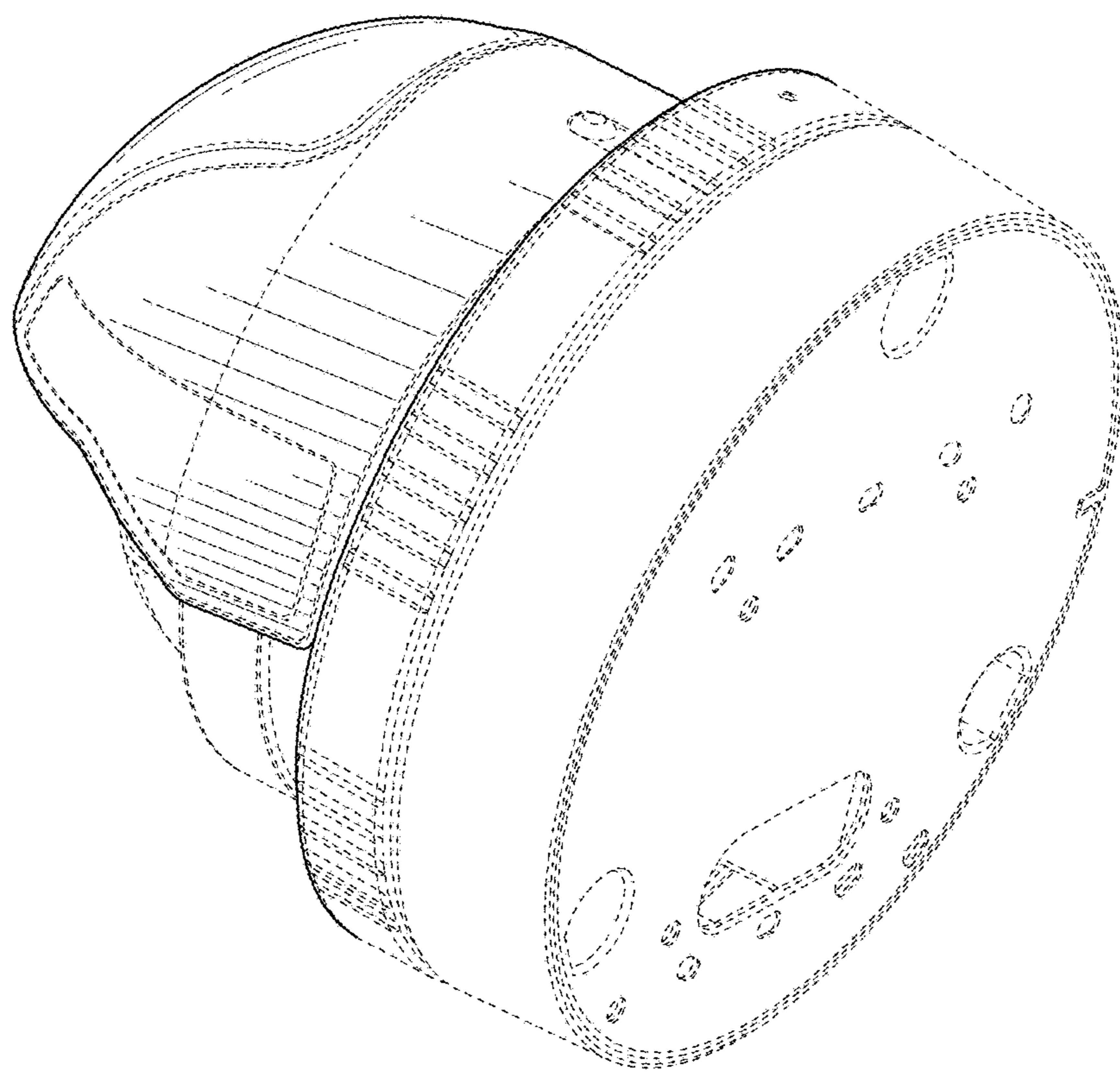


FIG. 2

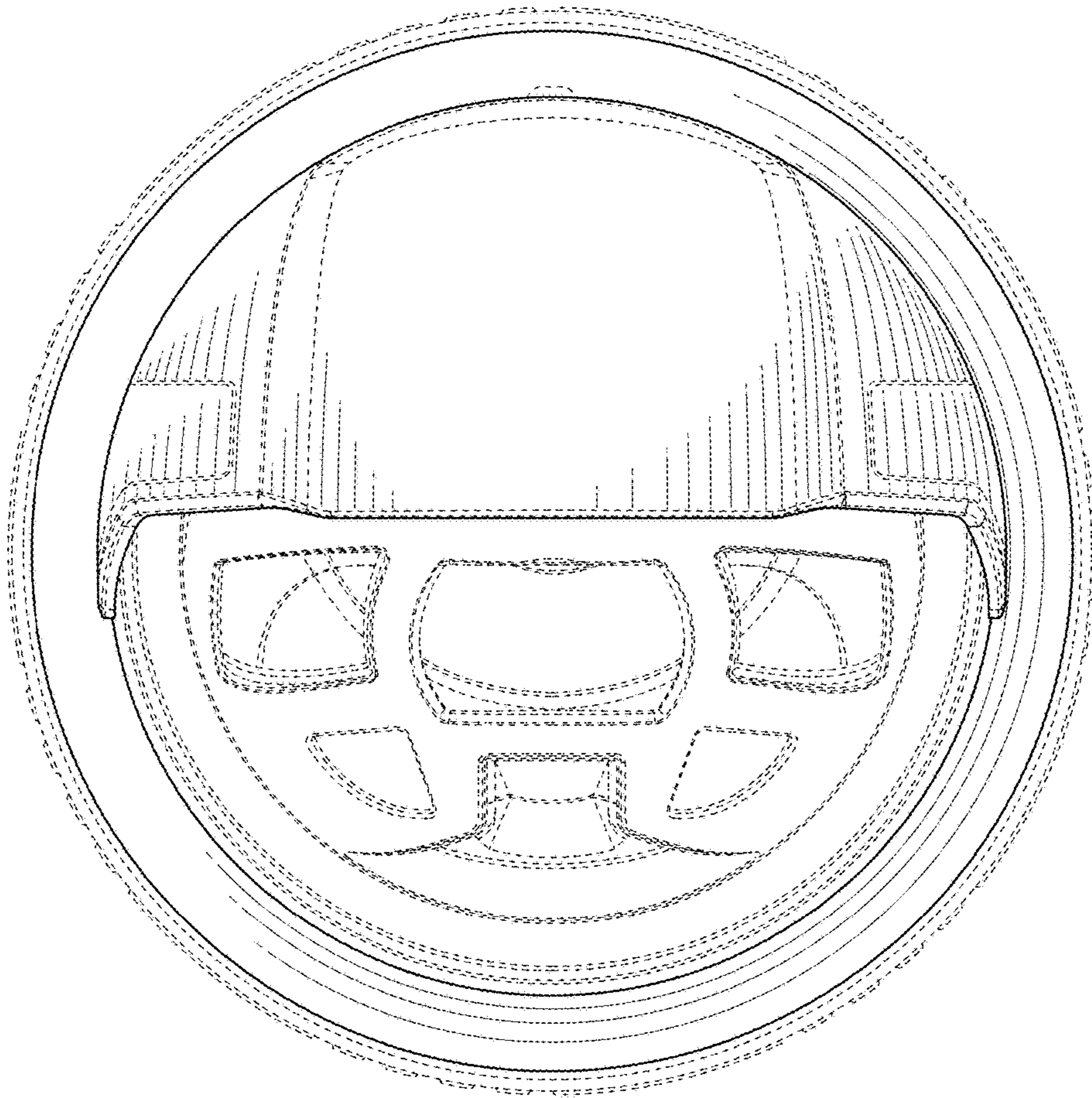


FIG. 3

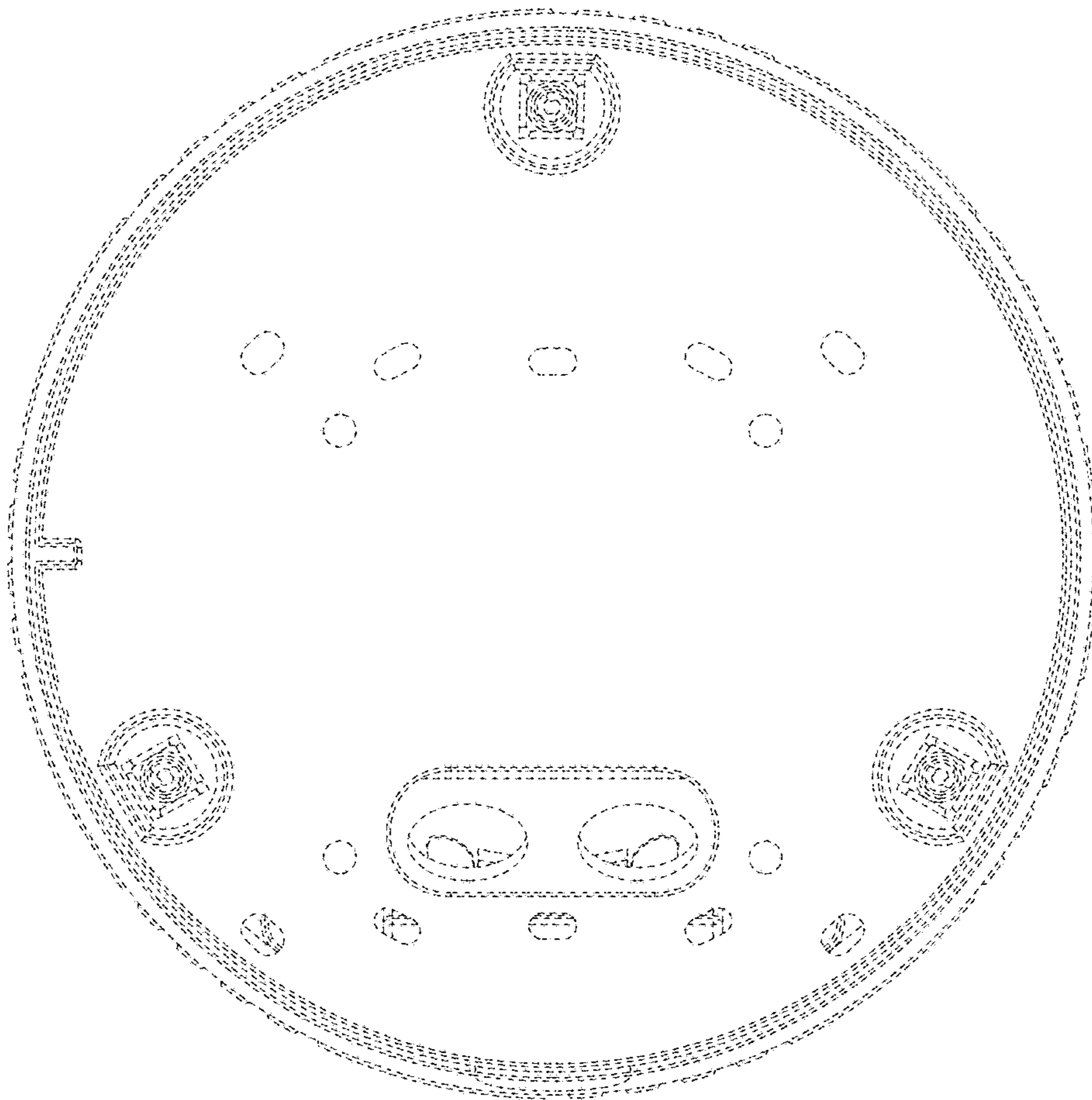


FIG. 4

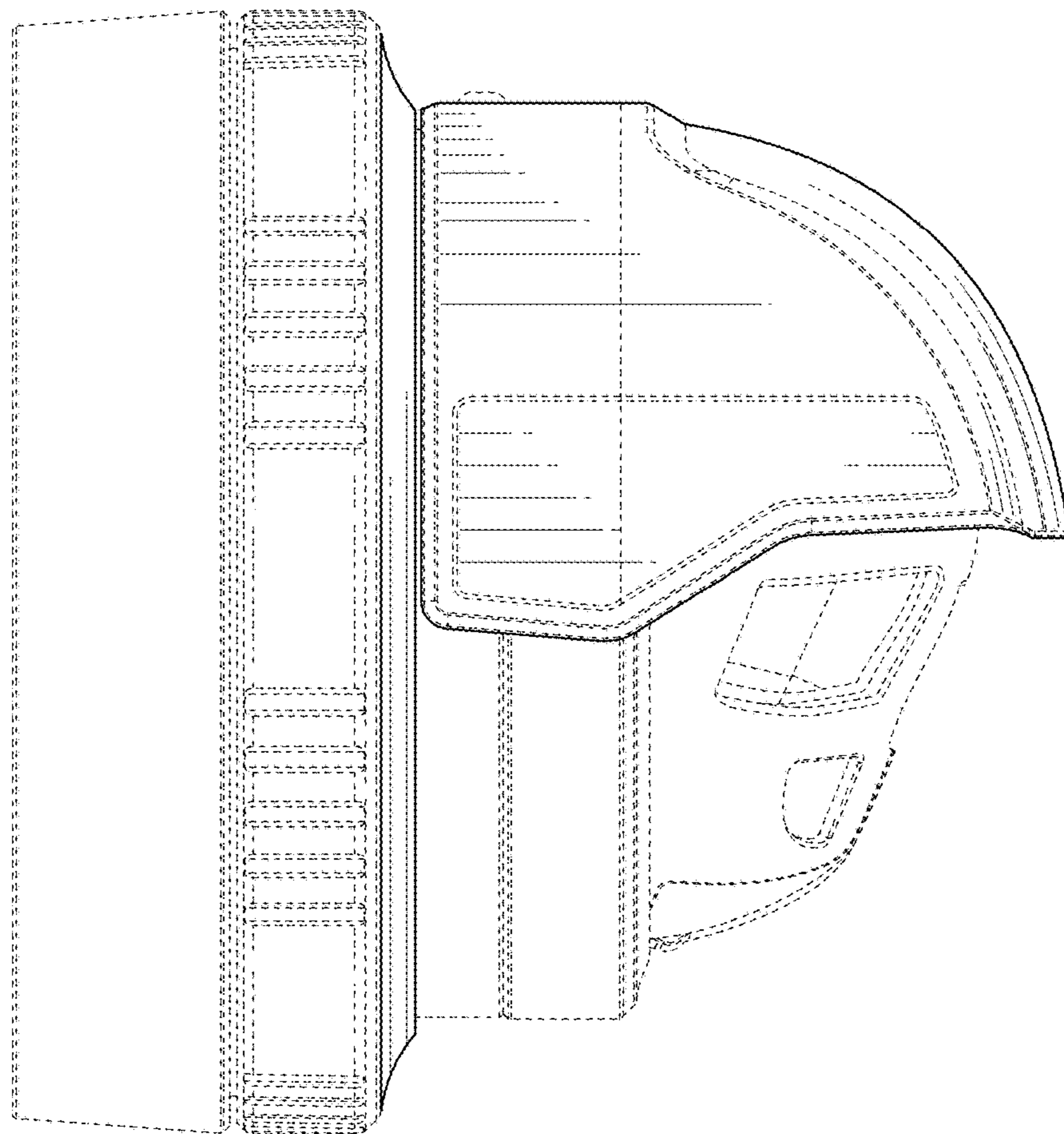


FIG. 5

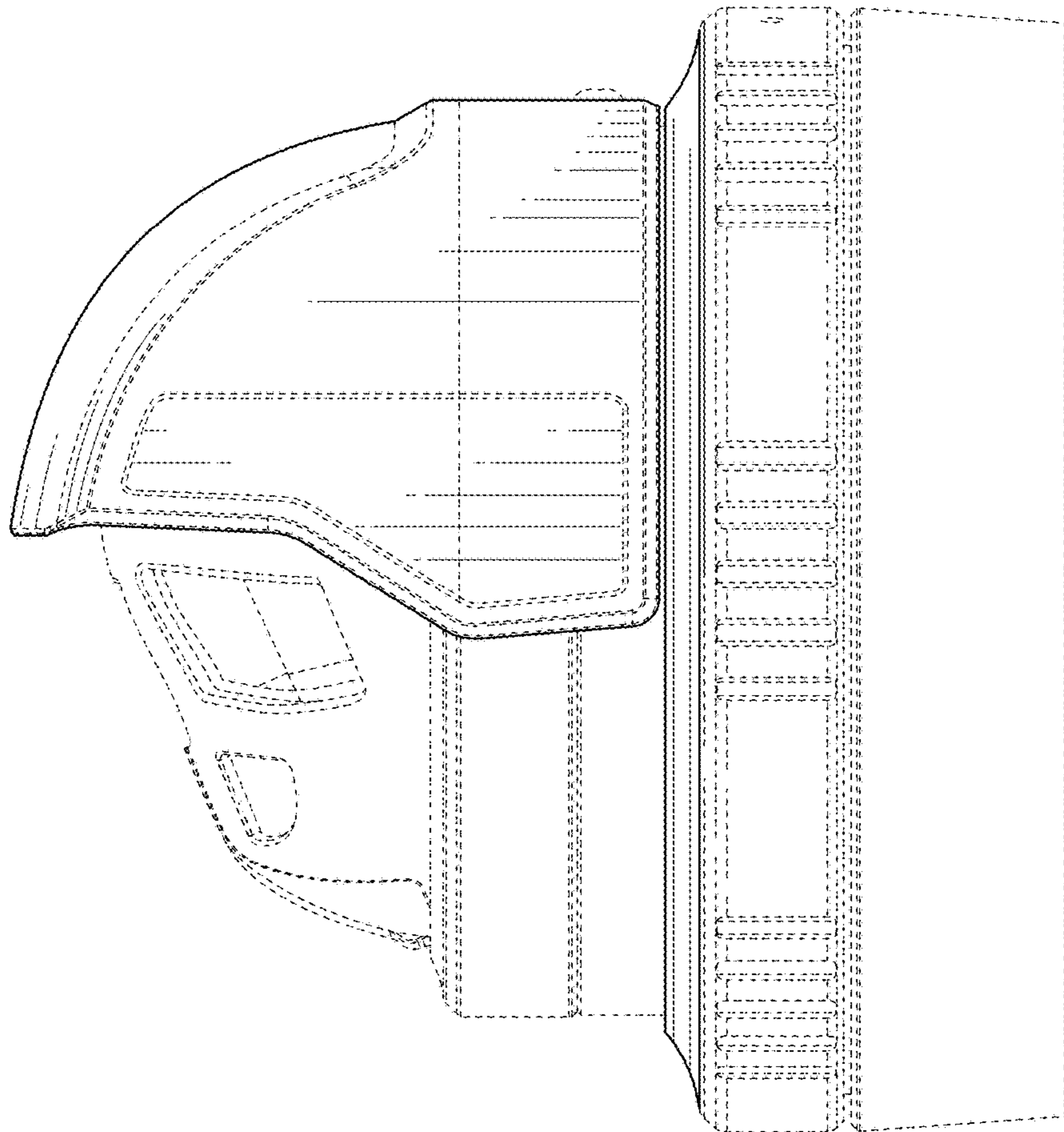


FIG. 6

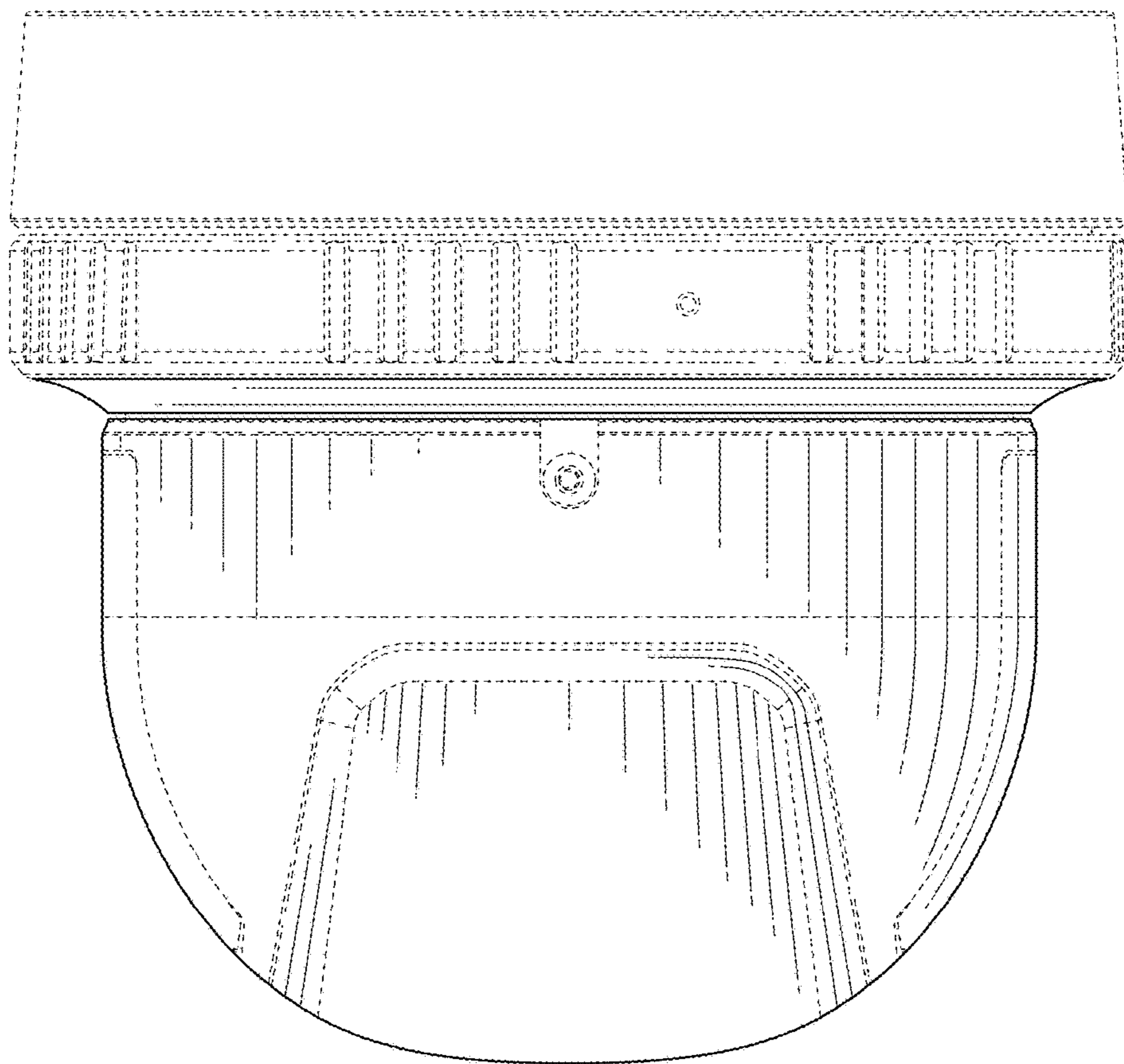


FIG. 7

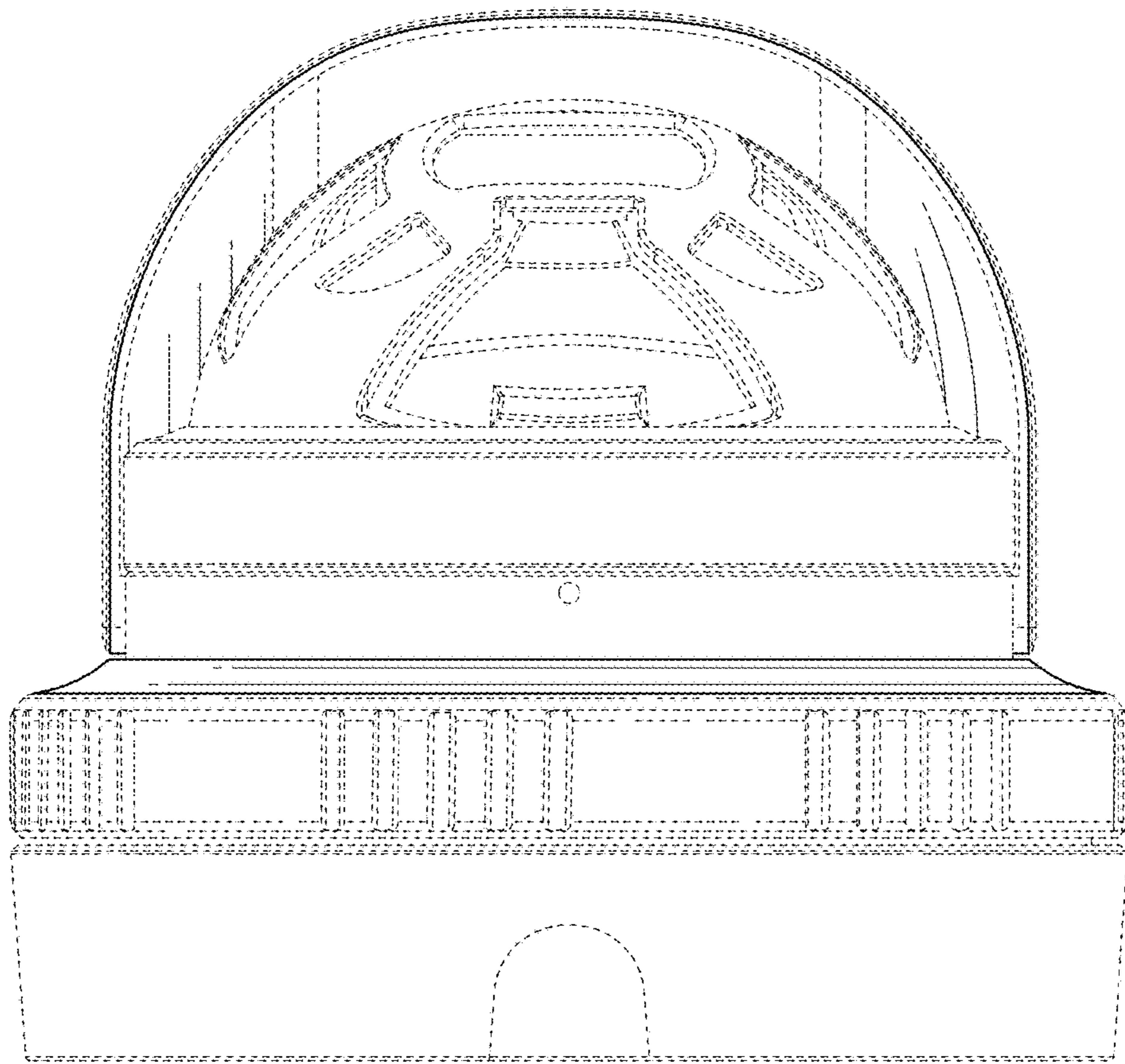


FIG. 8