



US00D859499S

(12) **United States Design Patent**
Zhang

(10) **Patent No.:** **US D859,499 S**

(45) **Date of Patent:** **** Sep. 10, 2019**

(54) **TRANSPARENT COVER FOR A CAMERA**

(71) Applicant: **Hangzhou Hikvision Digital Technology Co., Ltd.**, Hangzhou (CN)

(72) Inventor: **Fengmin Zhang**, Hangzhou (CN)

(73) Assignee: **HANGZHOU HIKVISION DIGITAL TECHNOLOGY CO., LTD.**, Hangzhou (CN)

(**) Term: **15 Years**

(21) Appl. No.: **29/630,306**

(22) Filed: **Dec. 20, 2017**

(30) **Foreign Application Priority Data**

Aug. 16, 2017 (CN) 2017 3 0375798

(51) **LOC (12) Cl.** **16-05**

(52) **U.S. Cl.**
USPC **D16/219**; D16/203

(58) **Field of Classification Search**
USPC D16/200, 202–206, 218, 219, 242;
348/143, 148, 151, 373–376; 396/419,
396/427, 535, 539–541
CPC G03B 17/02; G03B 19/04; G03B 17/56;
G03B 17/04; G03B 15/03; H04N 5/2251;
H04N 5/2252; H04N 5/2253; H04N
5/2254; H04N 7/181; H04N 7/183; H04N
7/18; G08B 13/1963; G08B 13/19619;
G08B 13/19632; F16M 11/04; F16M
13/00

See application file for complete search history.

(56) **References Cited**

U.S. PATENT DOCUMENTS

D399,517 S * 10/1998 Hasegawa D16/203
D473,888 S * 4/2003 Jones 396/427

D499,126 S * 11/2004 Kato D16/203
D547,347 S * 7/2007 Kim D16/202
D556,233 S * 11/2007 Webb D16/202
D565,626 S * 4/2008 Leyden D16/203
D668,701 S * 10/2012 Ohno D16/203
D719,208 S * 12/2014 Mohan D16/203
D741,934 S * 10/2015 Stark D16/203
D742,447 S * 11/2015 Stark D16/203
D745,911 S * 12/2015 Lee D16/203
D798,933 S * 10/2017 Little D16/203
D815,174 S * 4/2018 Holbrook D16/203

* cited by examiner

Primary Examiner — Ramzi S Almatrahi

(74) *Attorney, Agent, or Firm* — Shumaker, Loop & Kendrick, LLP

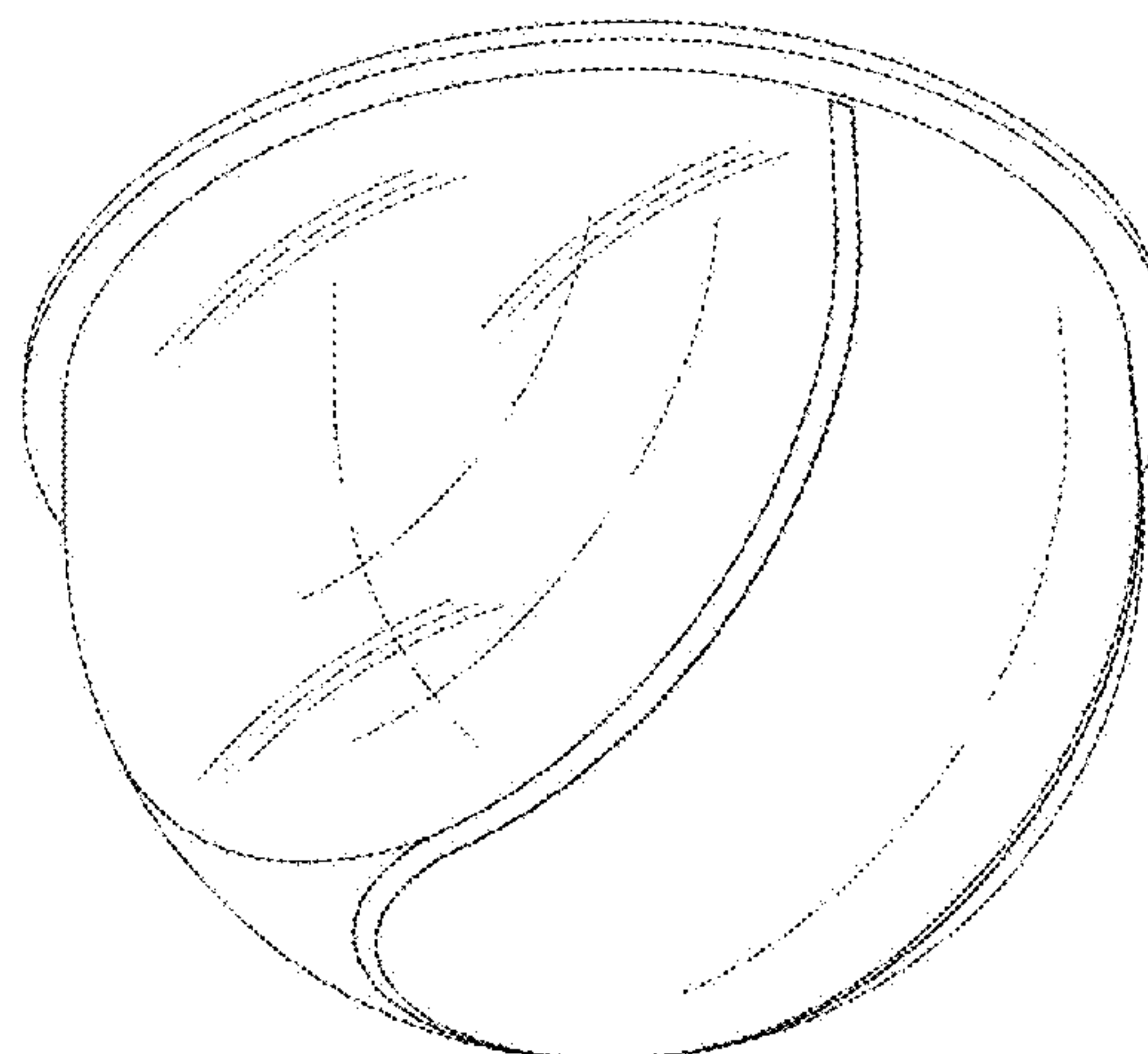
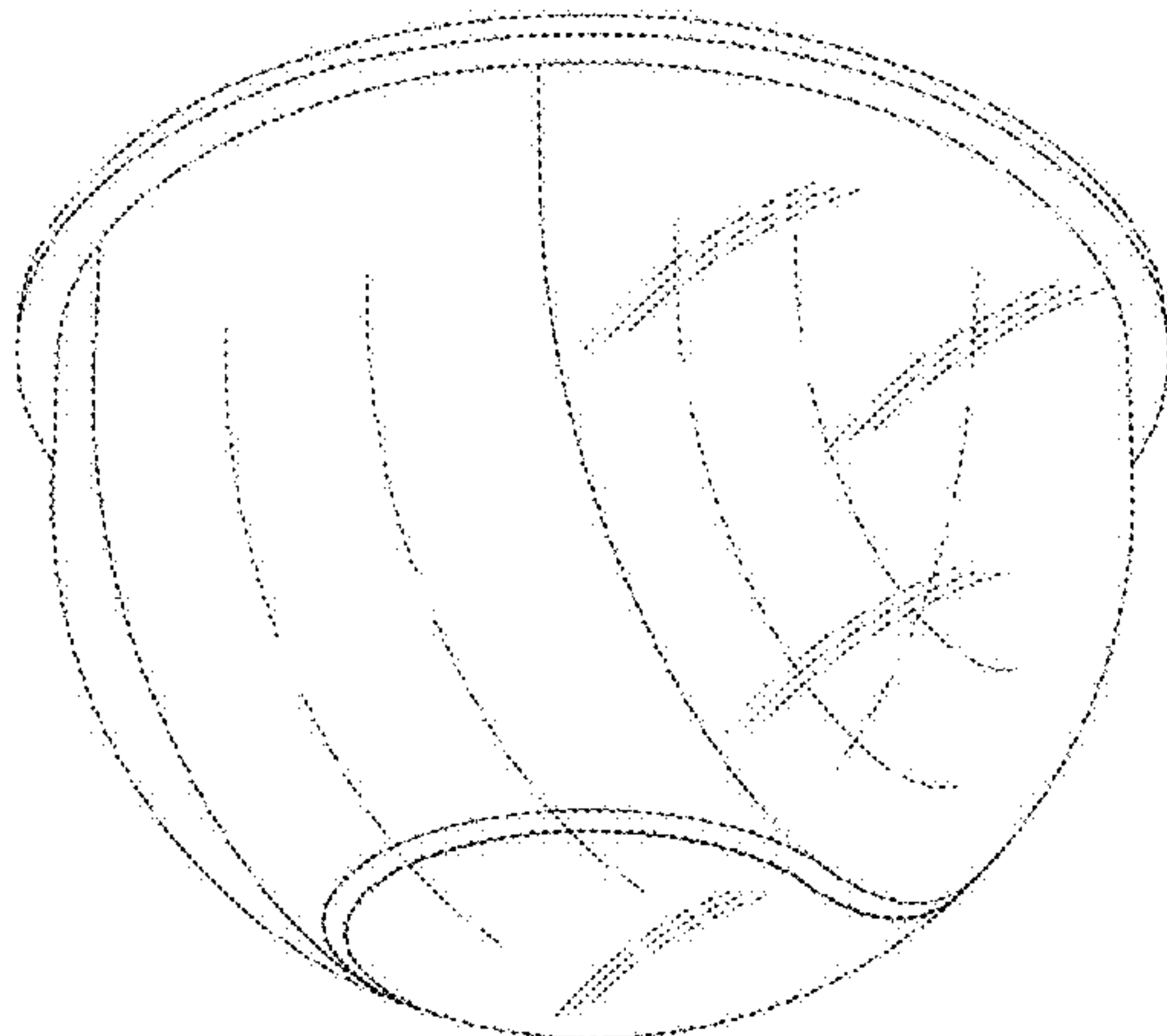
(57) **CLAIM**

The ornamental design for a transparent cover for a camera, as shown and described.

DESCRIPTION

FIG. 1 is a front elevation view of a first embodiment of a transparent cover for a camera showing my new design; FIG. 2 is a back elevation view thereof; FIG. 3 is a left side elevation view thereof; FIG. 4 is a right side elevation view thereof; FIG. 5 is a top plan view thereof; FIG. 6 is a bottom plan view thereof; FIG. 7 is a back perspective view thereof; FIG. 8 is front perspective view thereof; FIG. 9 is a front elevation view of a second embodiment of a transparent cover for a camera showing my new design; FIG. 10 is a back elevation view thereof; FIG. 11 is a left side elevation view thereof; FIG. 12 is a right side elevation view thereof; FIG. 13 is a top plan view thereof; FIG. 14 is a bottom plan view thereof; FIG. 15 is a back perspective view thereof; and, FIG. 16 is a front perspective view thereof.

1 Claim, 7 Drawing Sheets



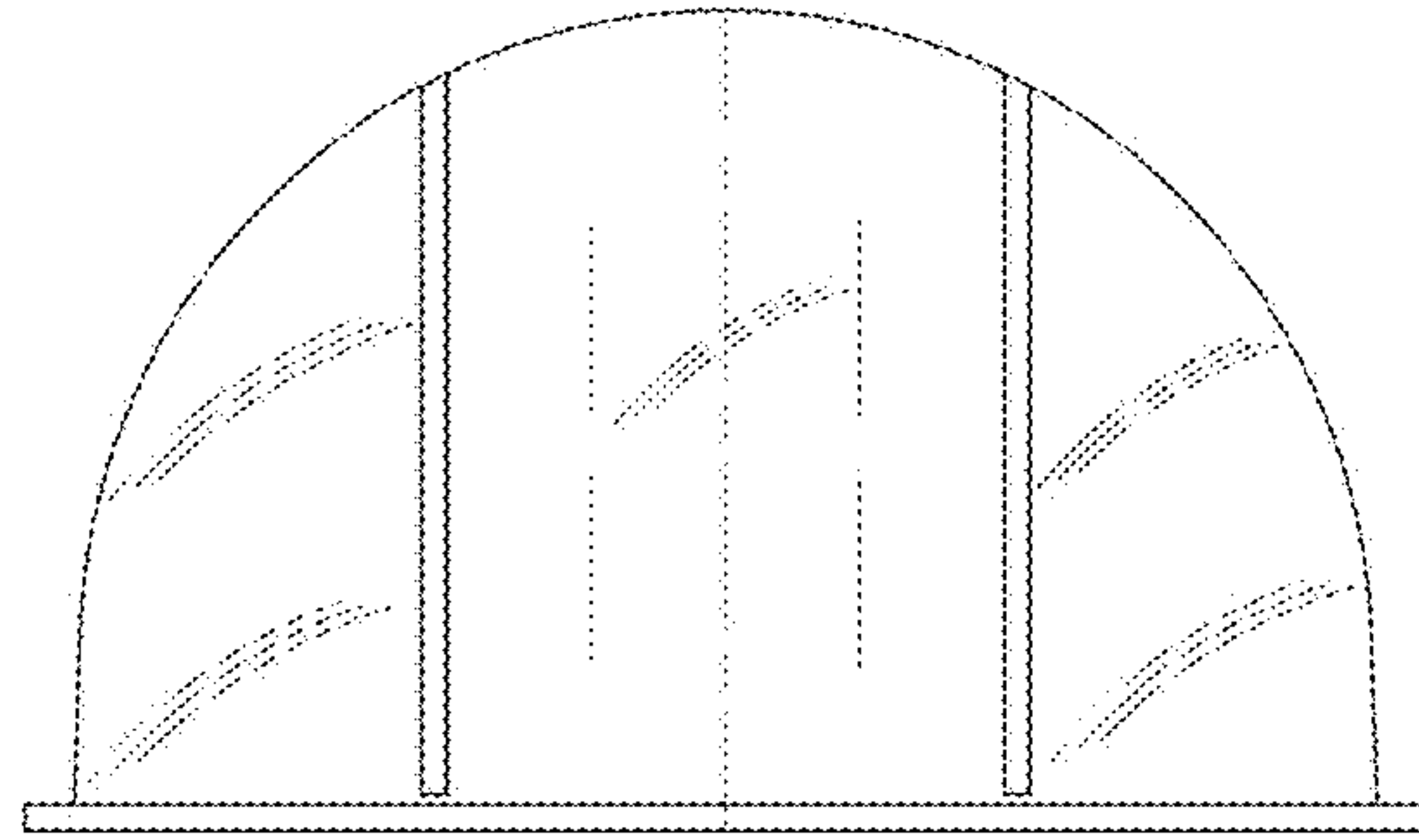


FIG. 1

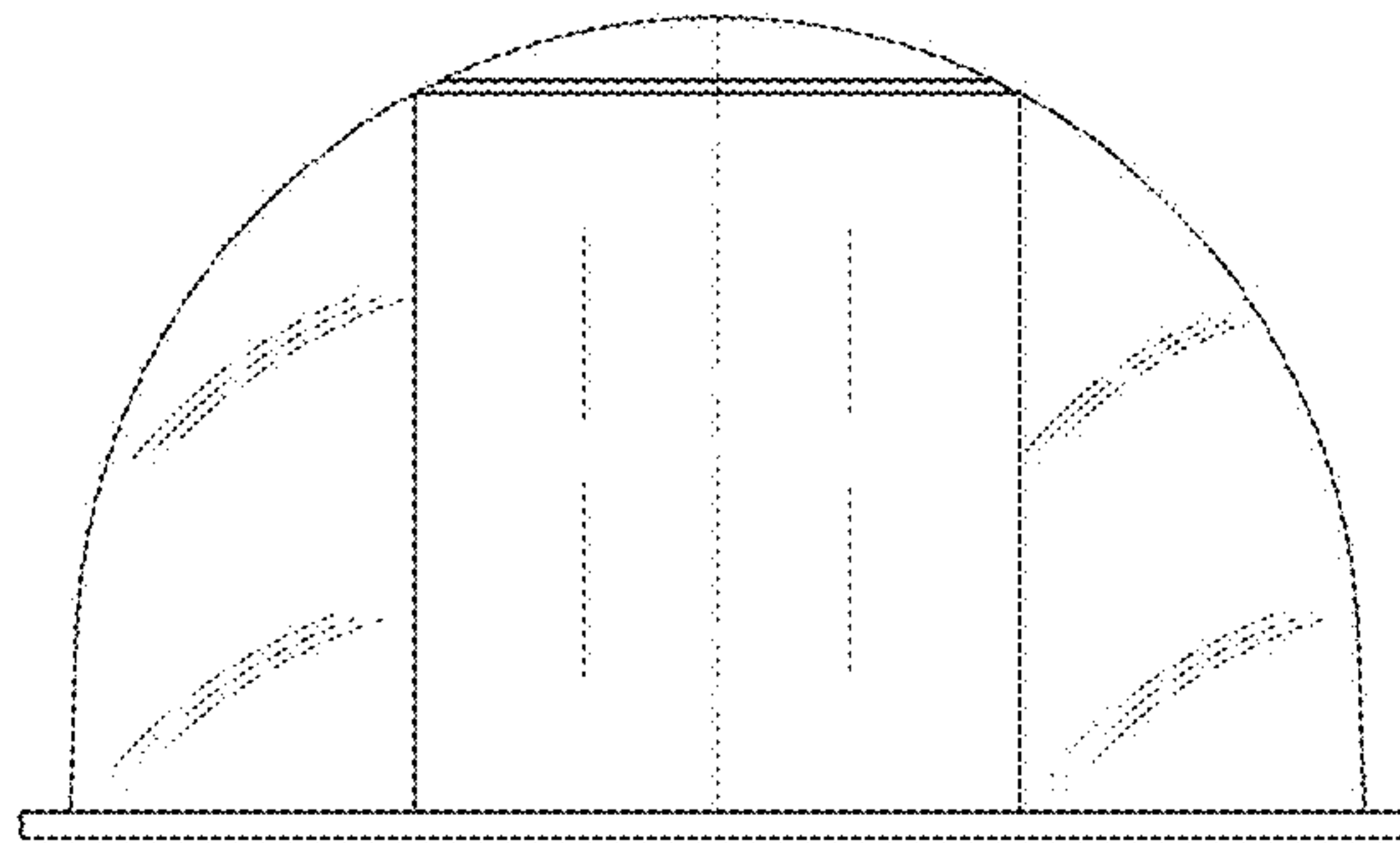


FIG. 2

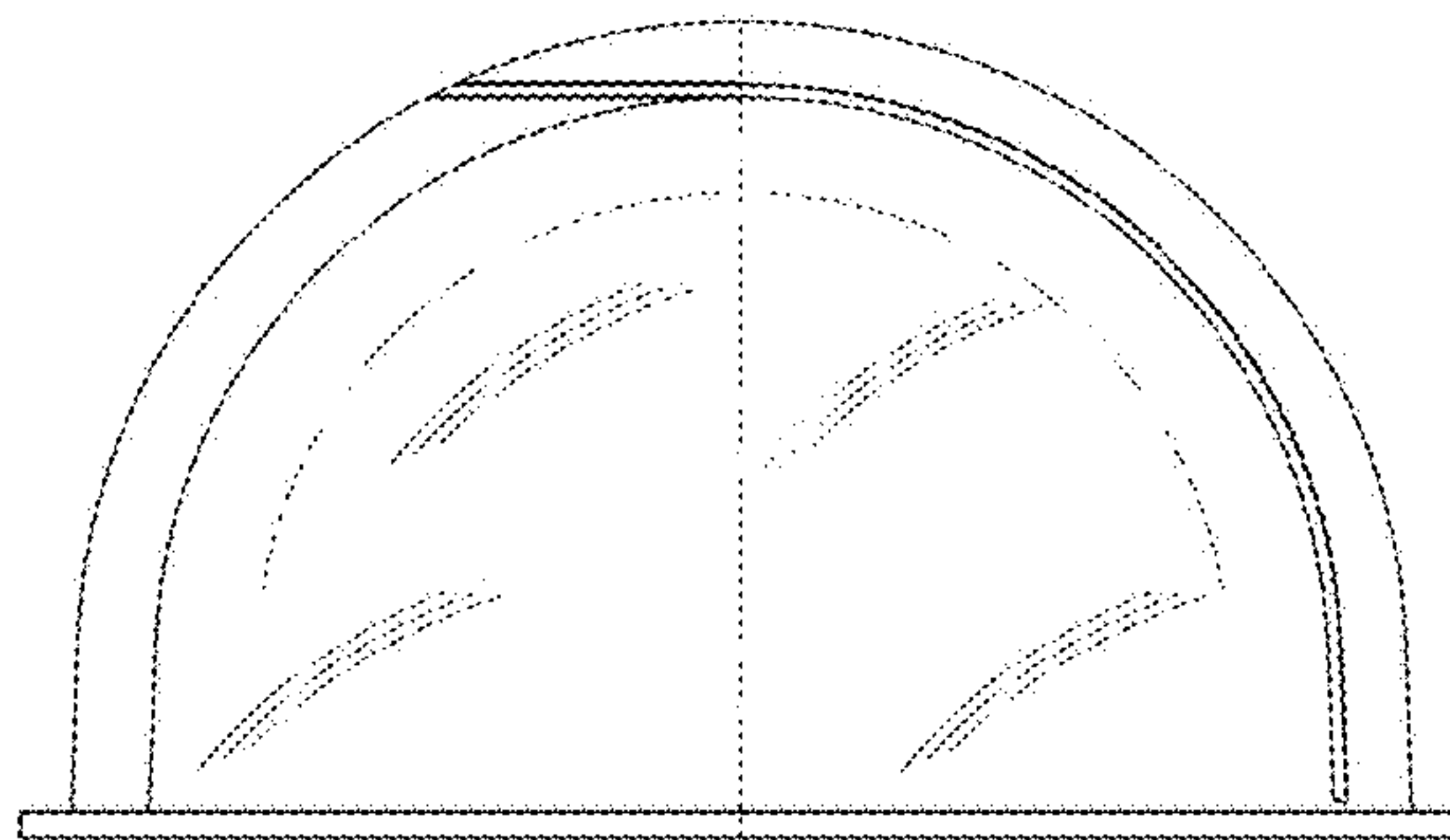


FIG. 3

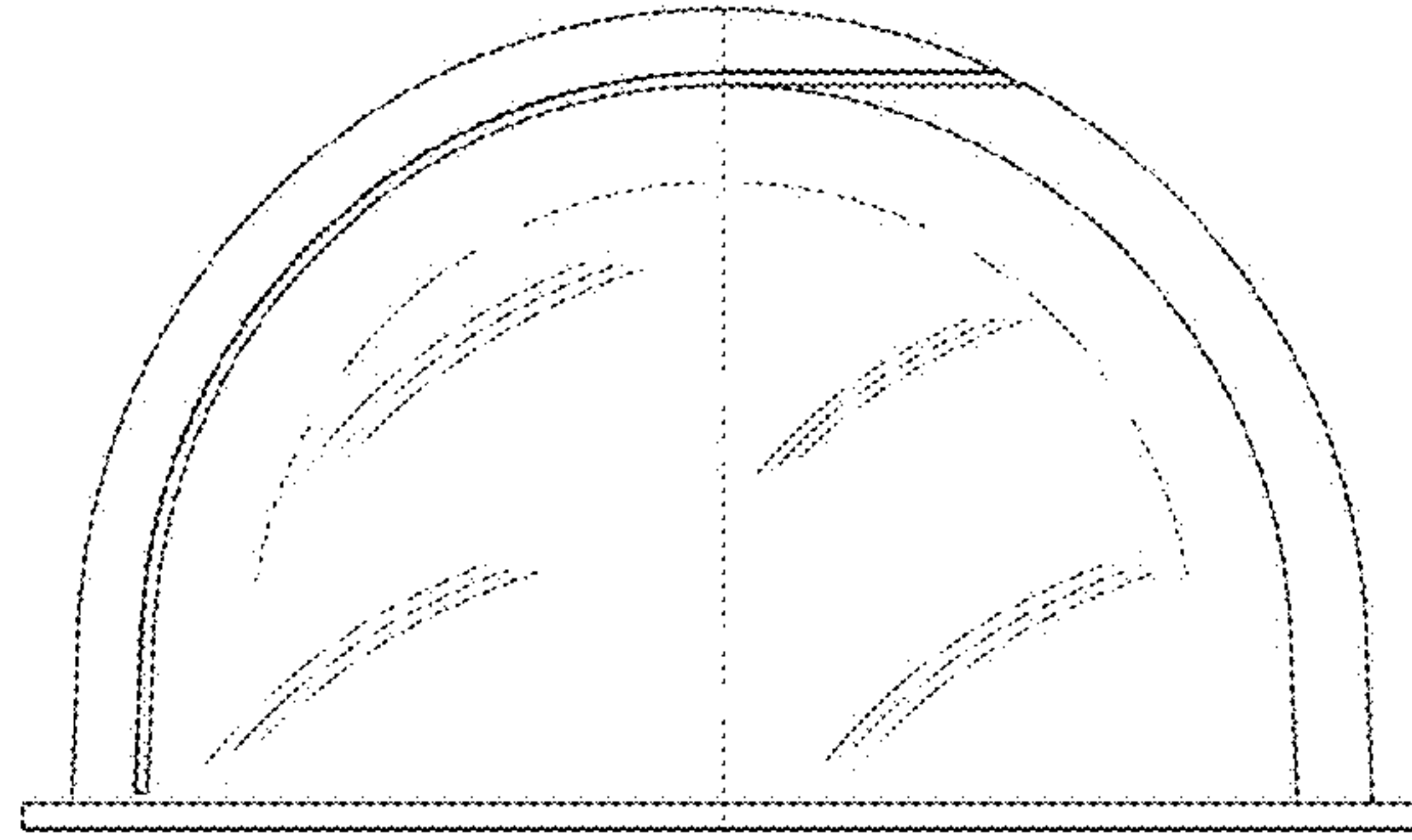


FIG. 4

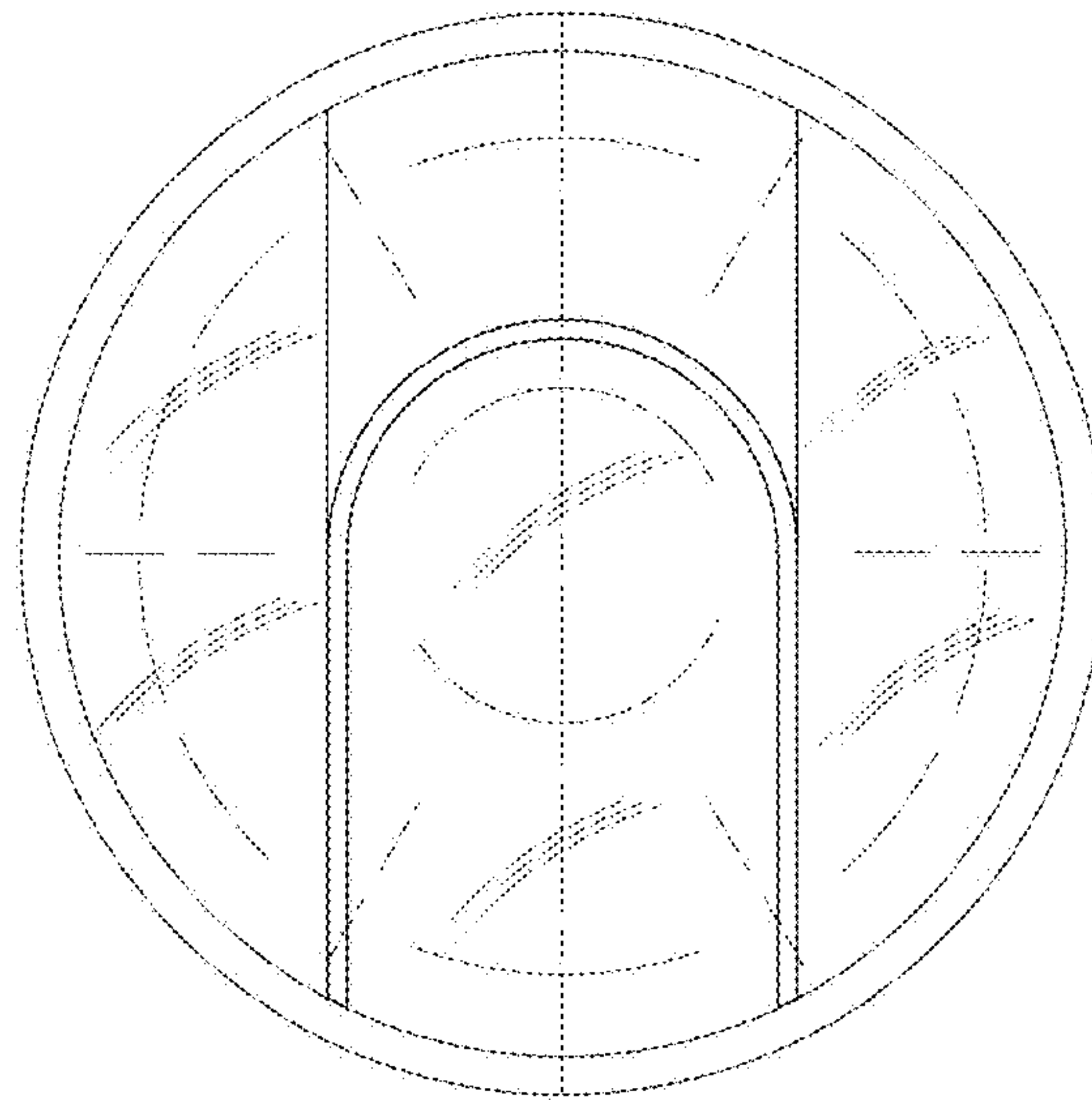


FIG. 5

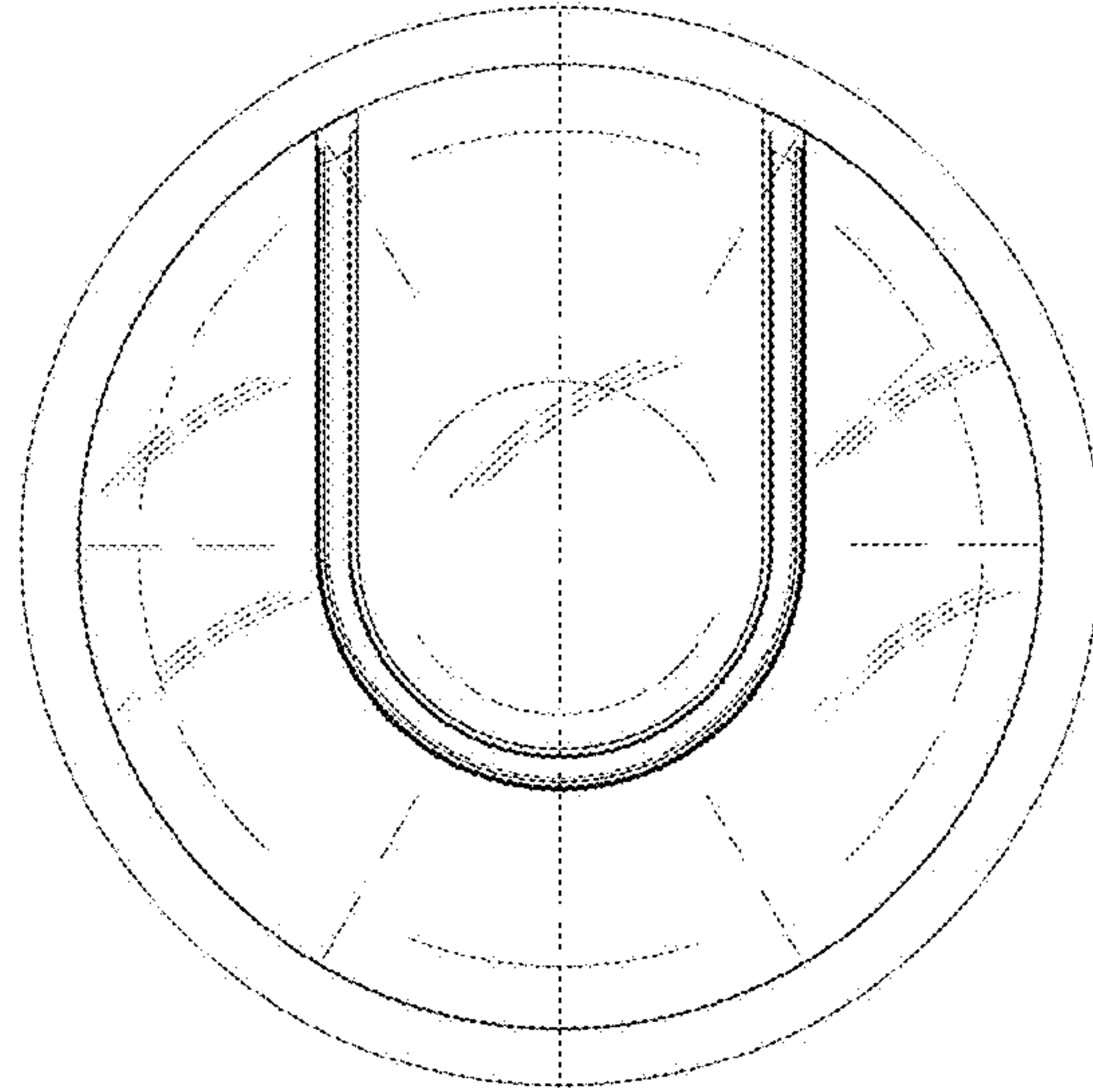


FIG. 6

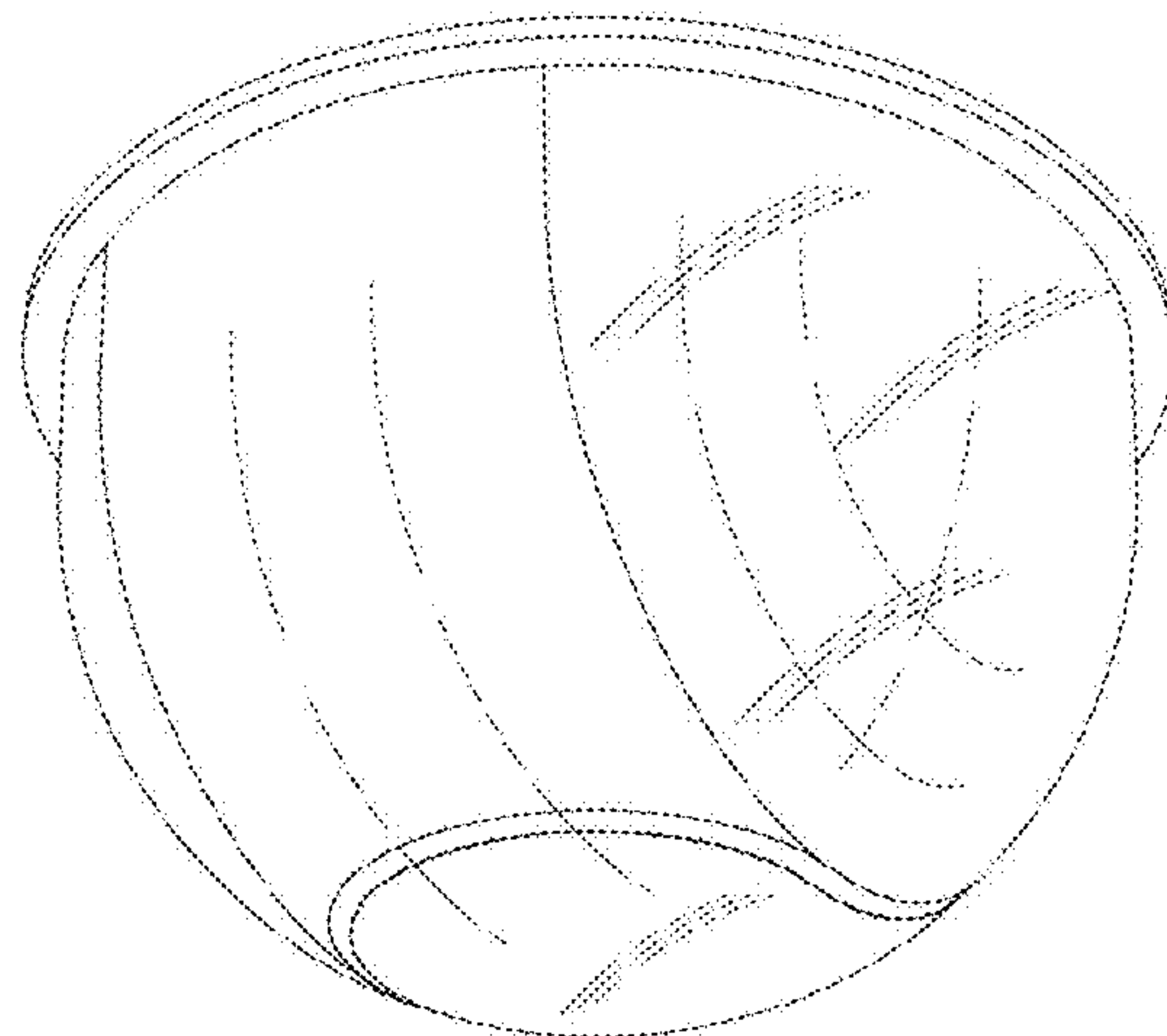


FIG. 7

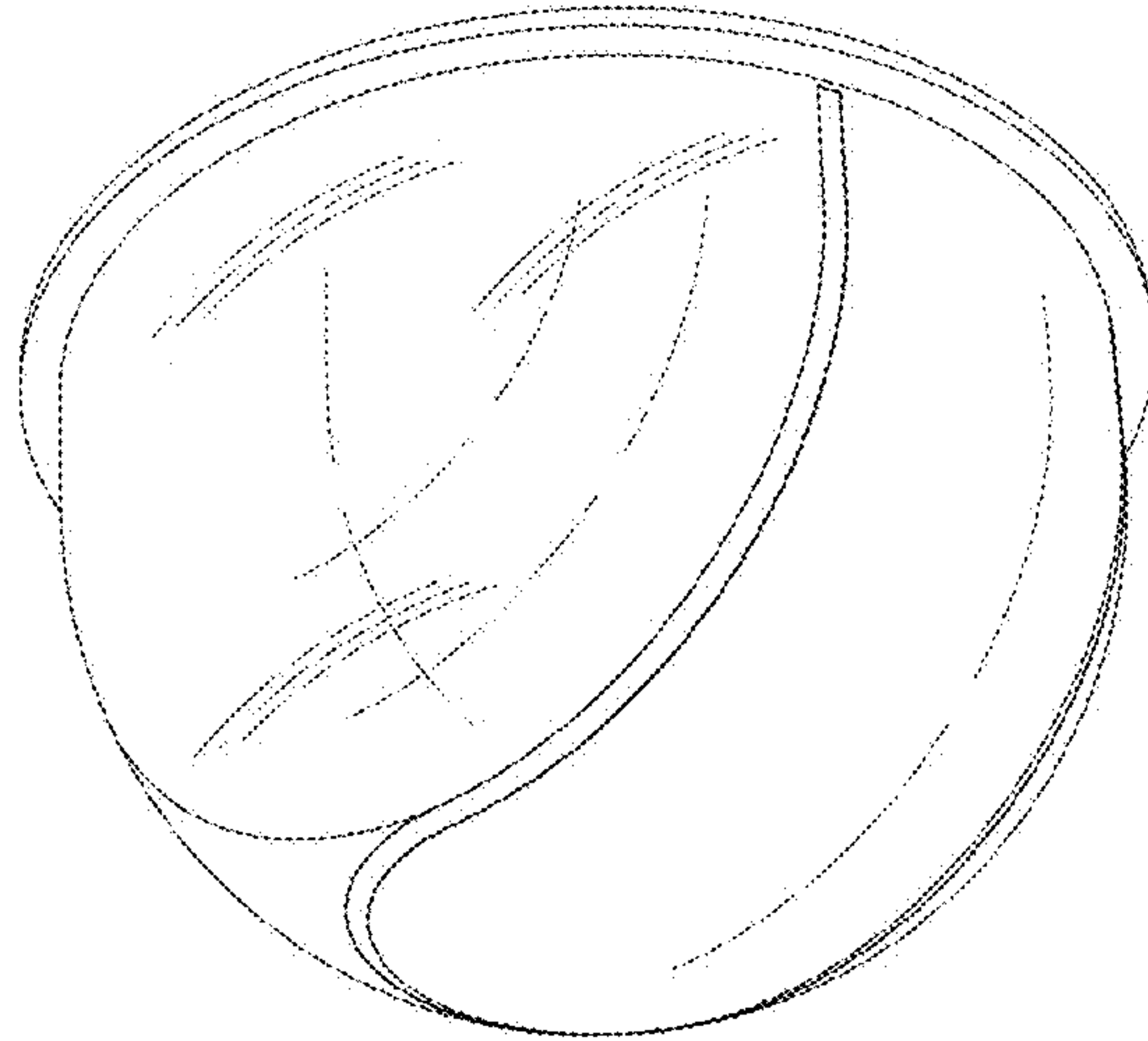


FIG. 8

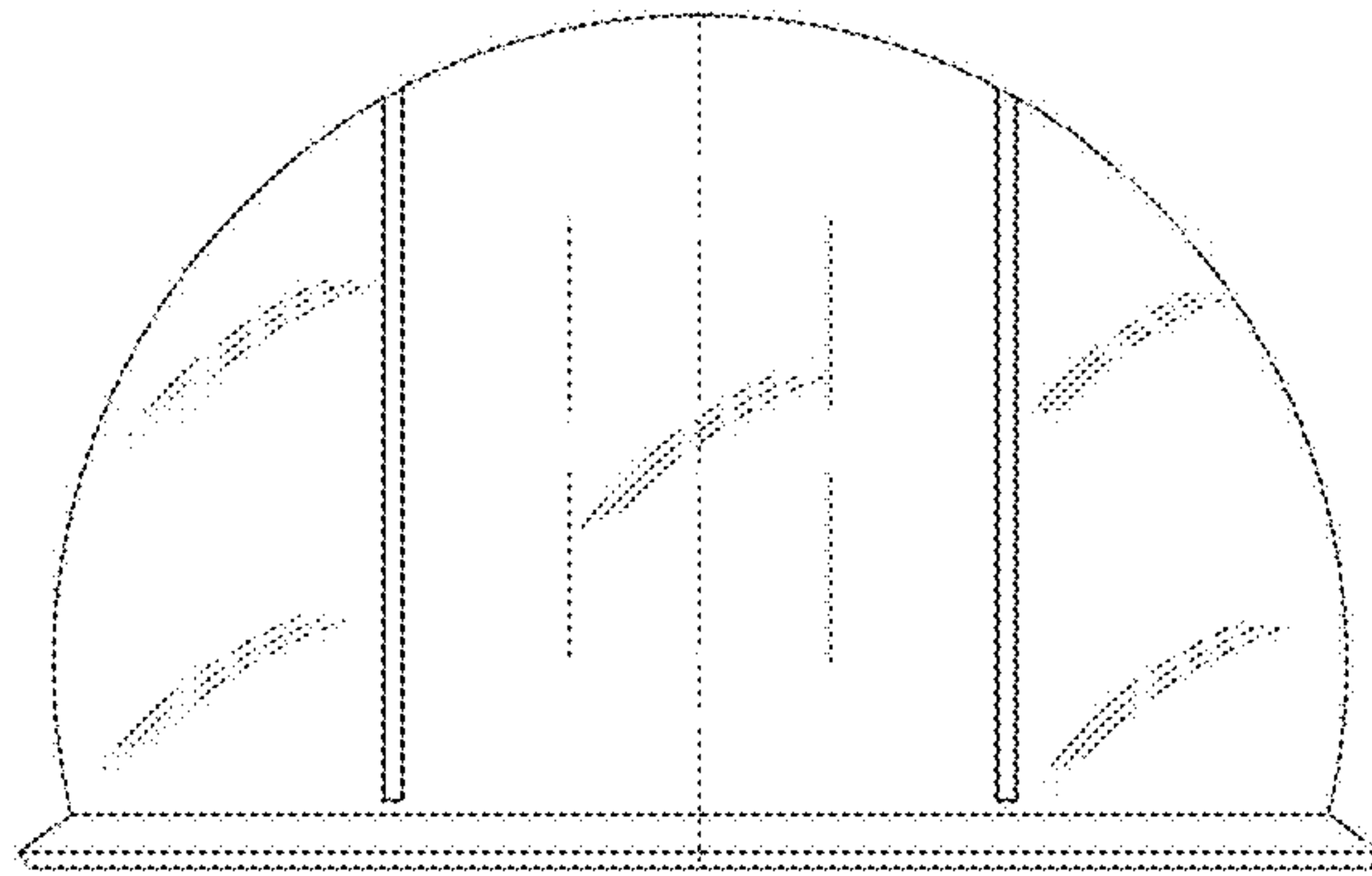


FIG. 9

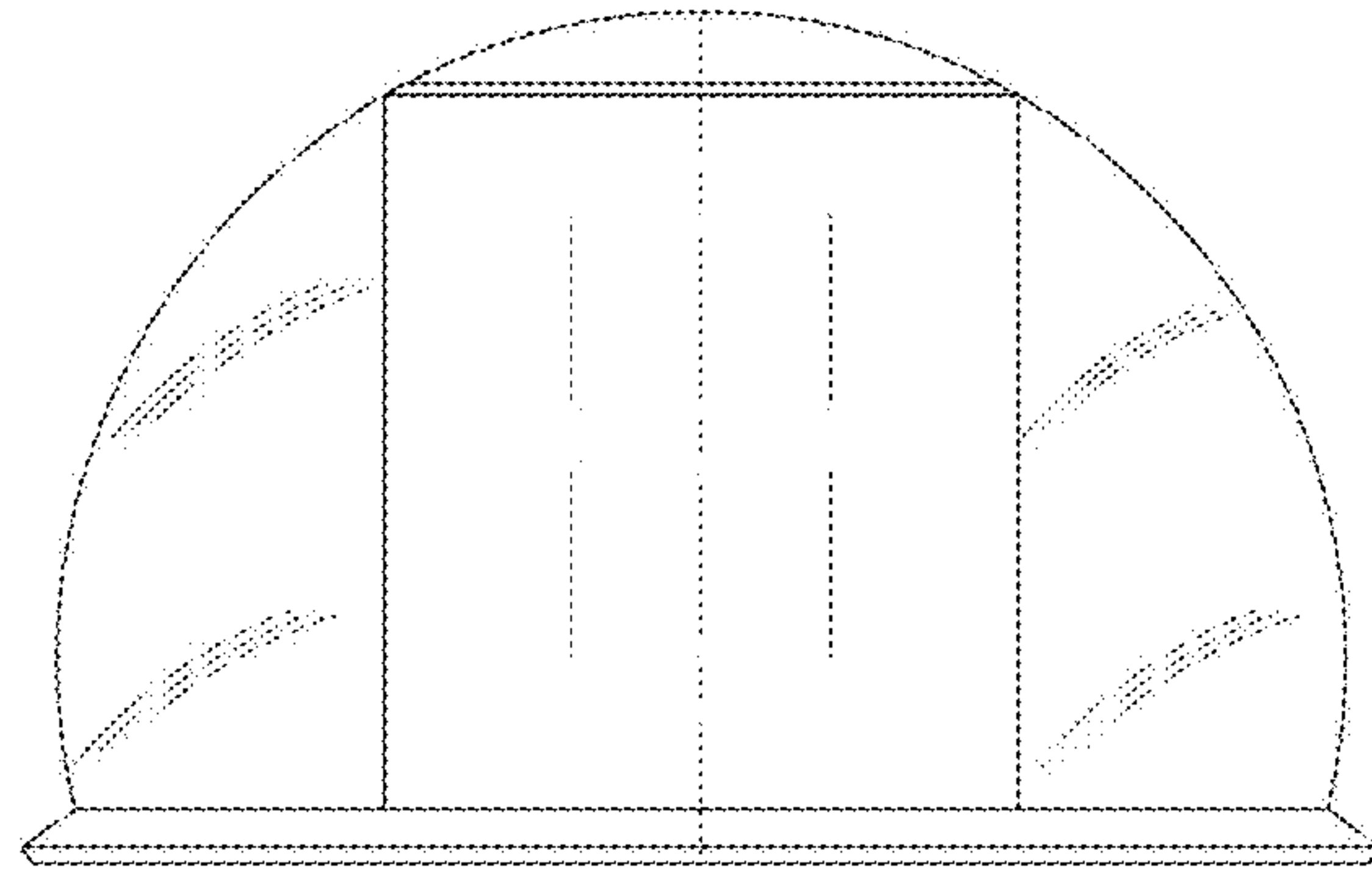


FIG. 10

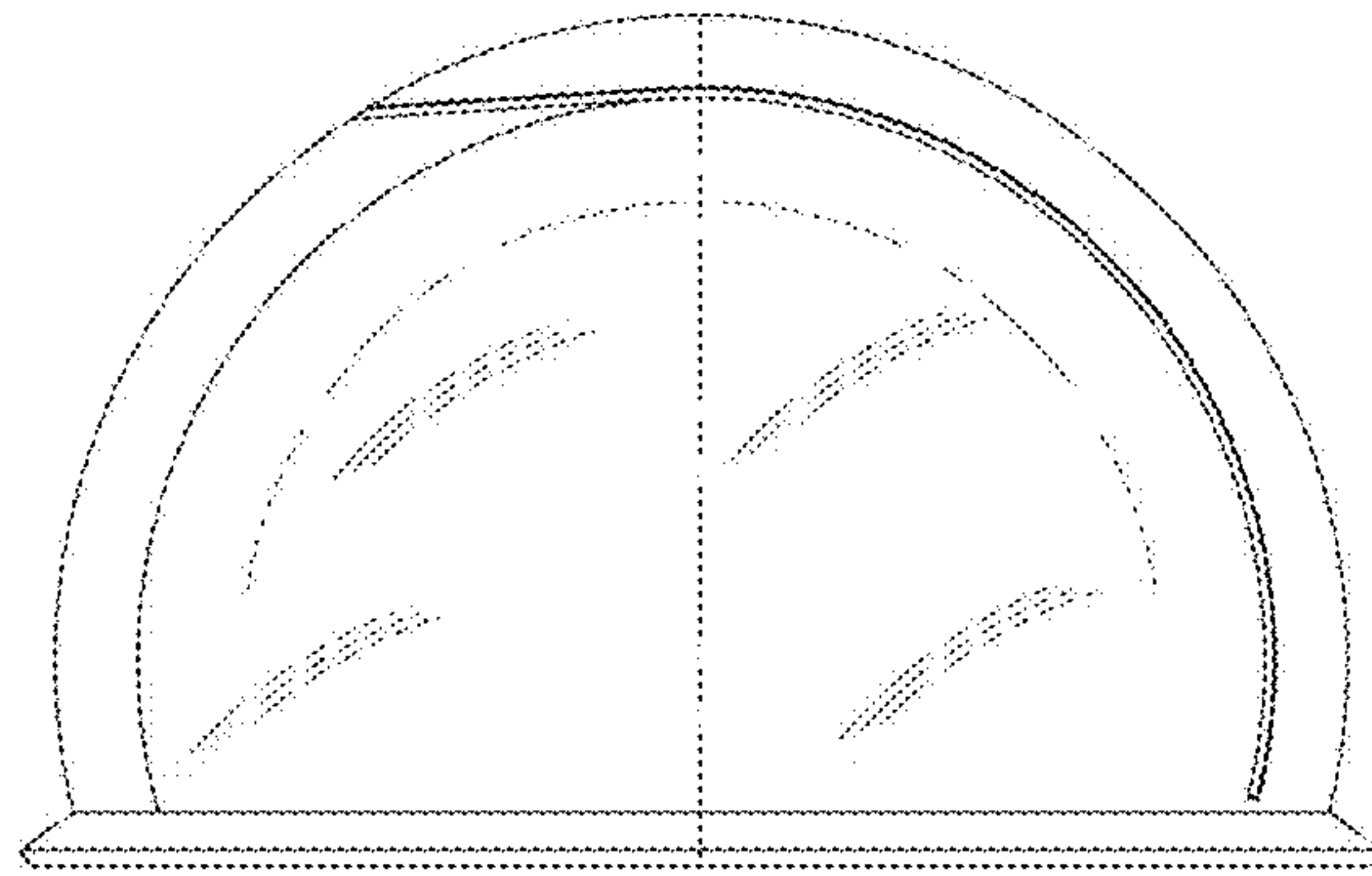


FIG. 11

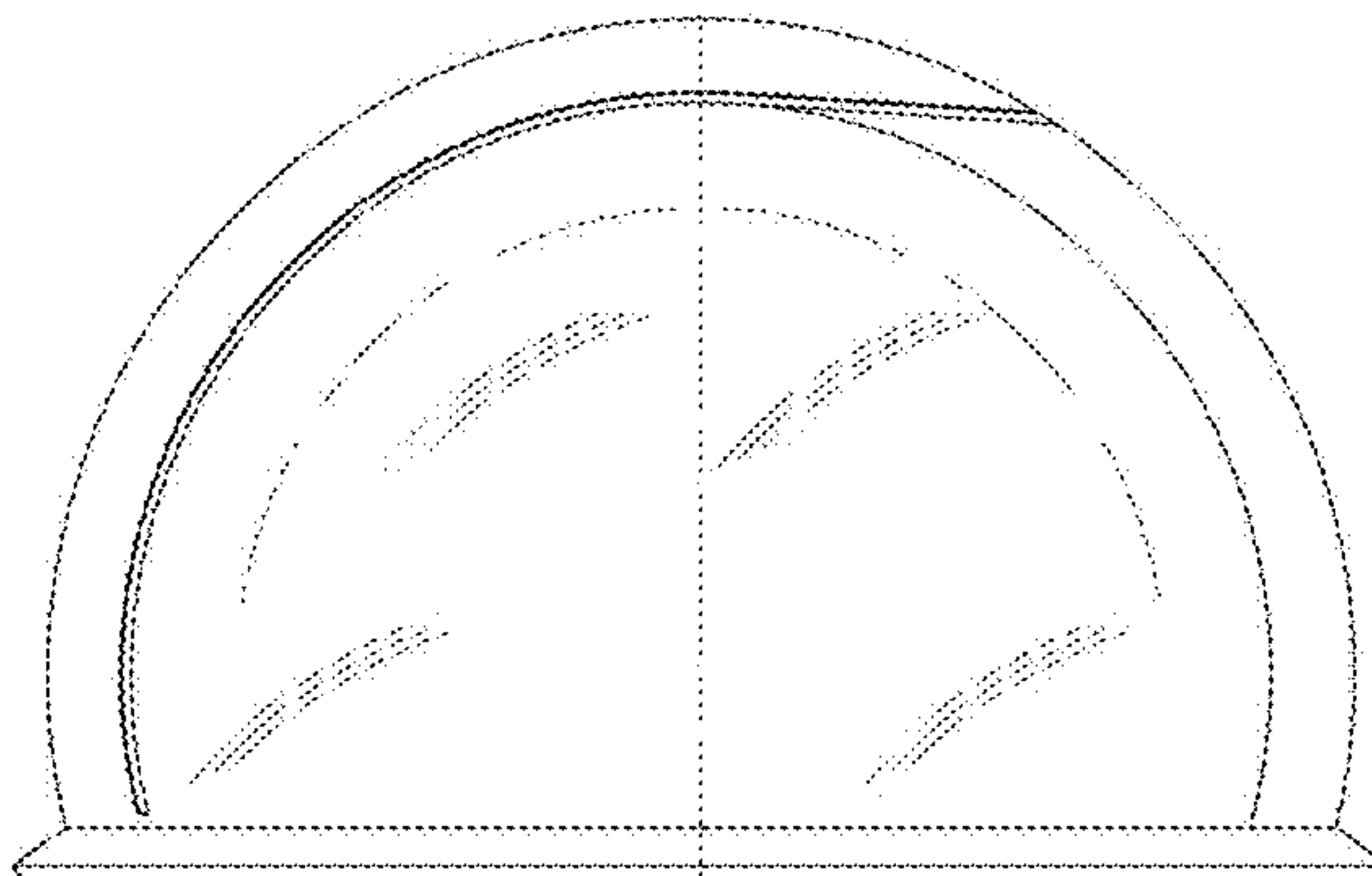


FIG. 12

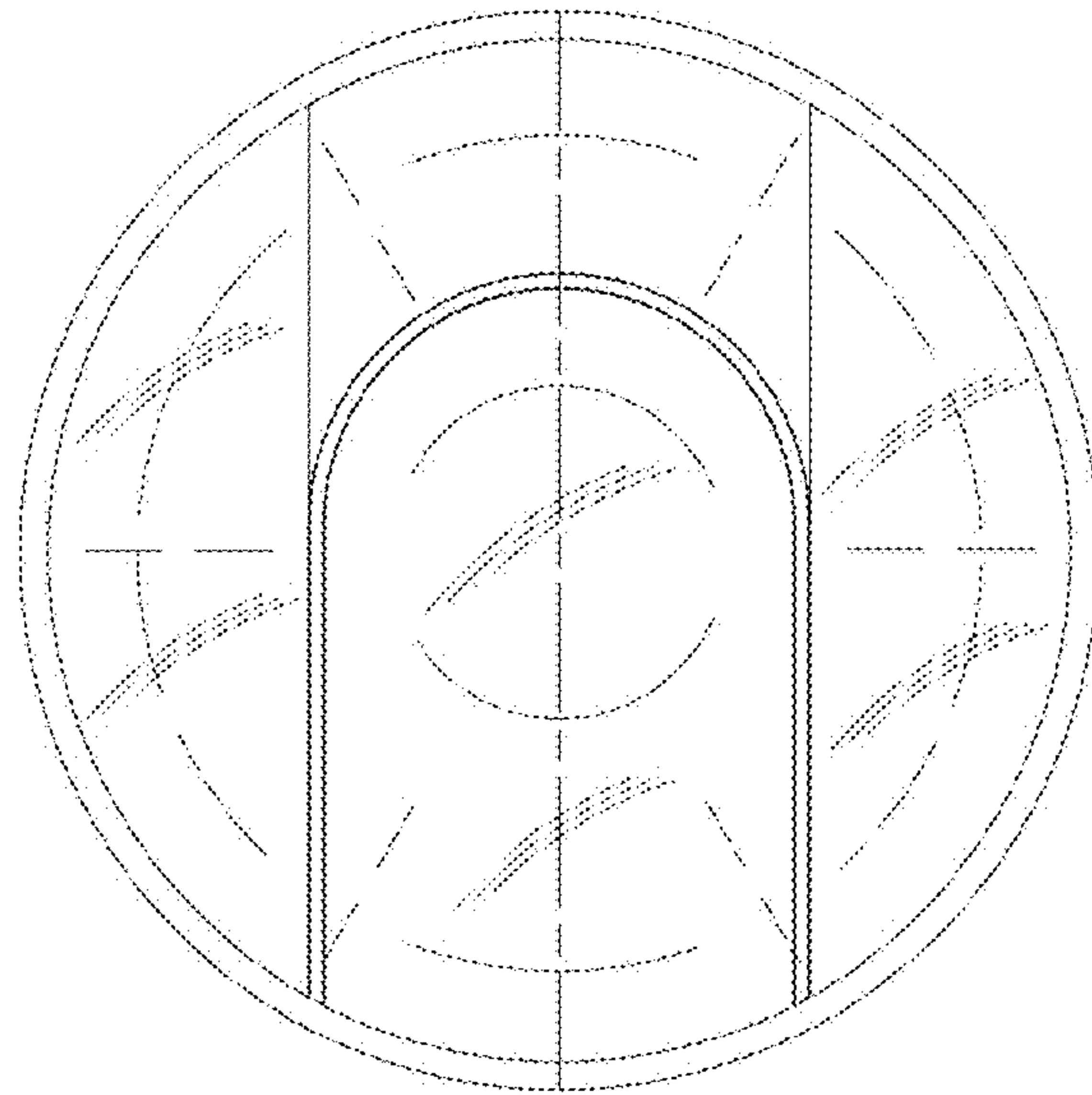


FIG. 13

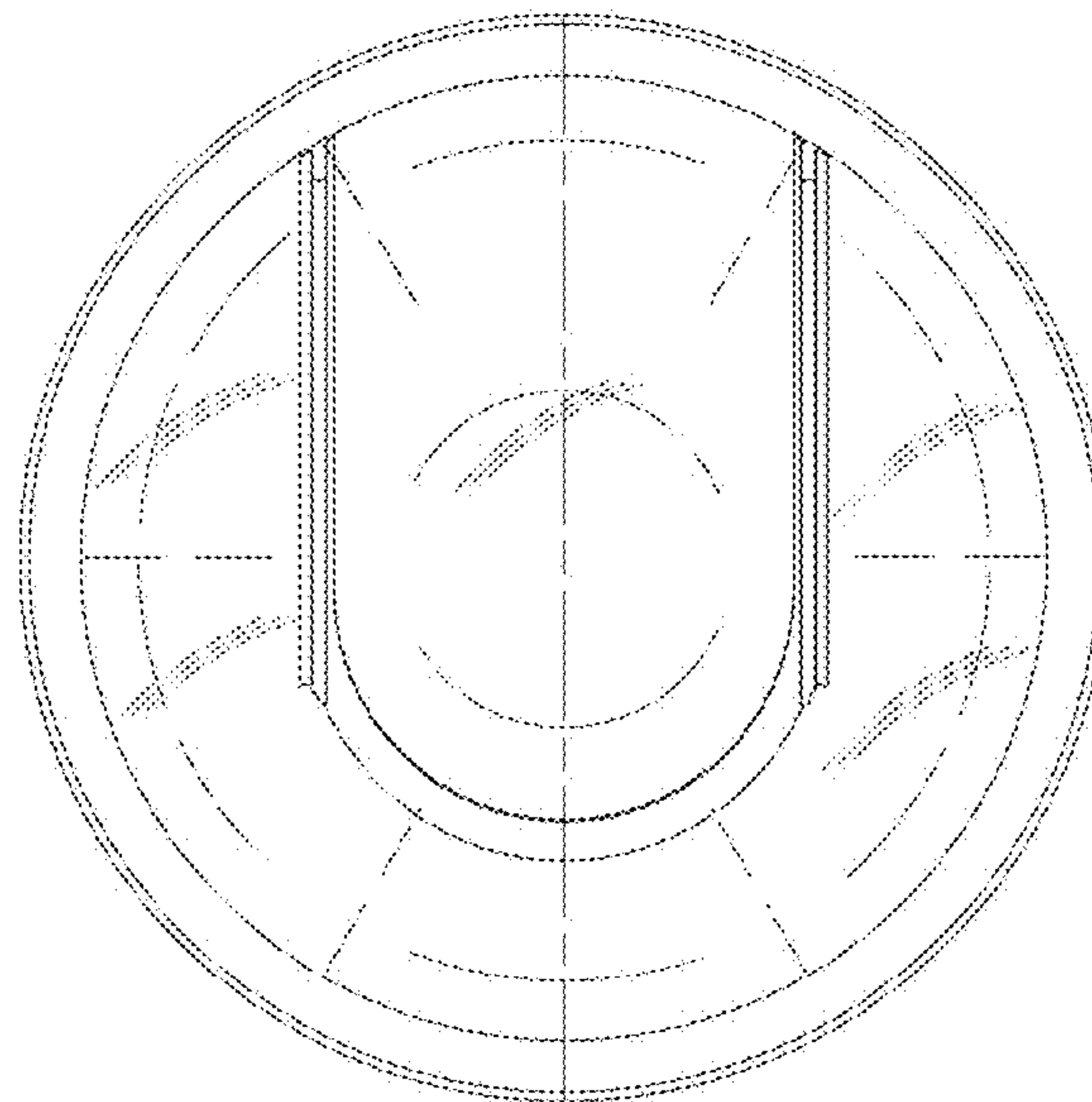


FIG. 14

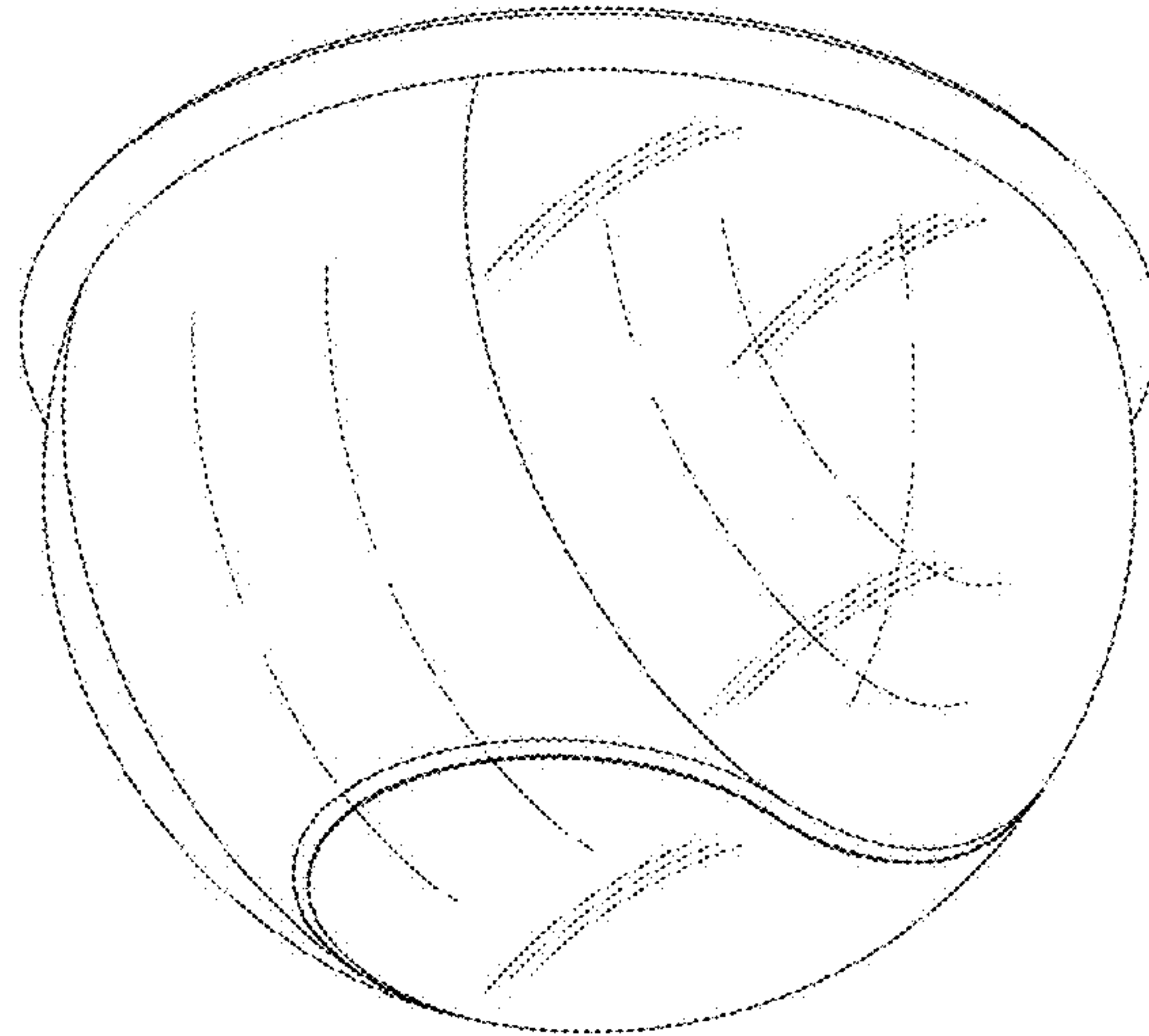


FIG. 15

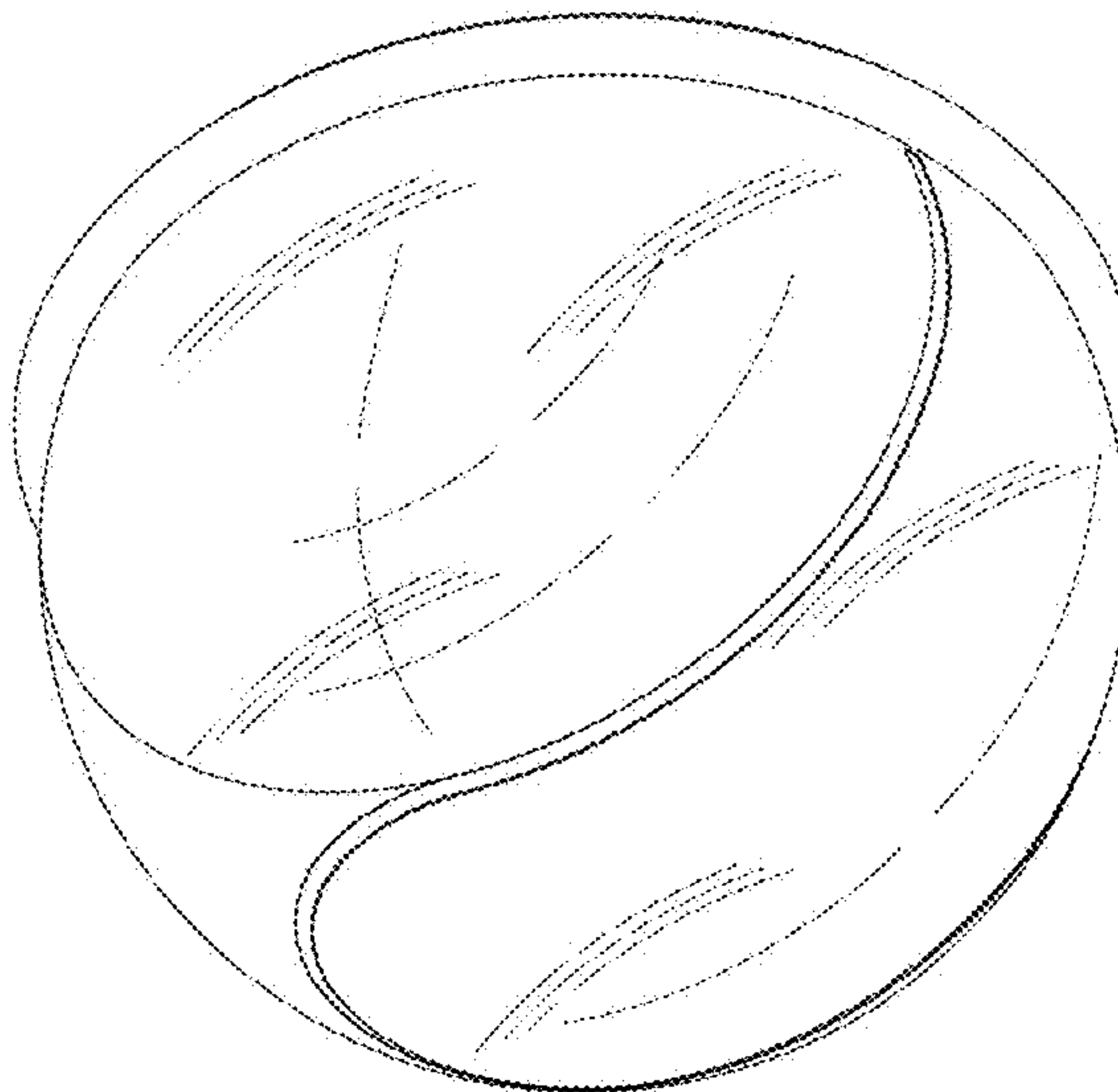


FIG. 16