



US00D859496S

(12) **United States Design Patent**  
**Diaz et al.**

(10) **Patent No.:** **US D859,496 S**

(45) **Date of Patent:** **\*\* Sep. 10, 2019**

(54) **SPARE TIRE CAMERA AND LIGHT SYSTEM**

(71) Applicant: **Alpine Electronics, Inc.**, Tokyo (JP)

(72) Inventors: **Melvin Diaz**, Torrance, CA (US);  
**Milan Rabrenovic**, Torrance, CA (US);  
**Akitoshi Kitazawa**, Torrance, CA (US)

(73) Assignee: **Alpine Electronics, Inc.**, Tokyo (JP)

(\*\*) Term: **15 Years**

(21) Appl. No.: **29/589,026**

(22) Filed: **Dec. 27, 2016**

(51) **LOC (12) Cl.** ..... **16-01**

(52) **U.S. Cl.**  
USPC ..... **D16/208; D12/202**

(58) **Field of Classification Search**  
USPC ..... D16/200–204, 208, 218, 219;  
D12/187–187, 202, 400; 340/932.2, 933,  
340/937; 348/143, 148, 151, 360,  
348/373–376; 396/419, 427–429, 433,  
396/529, 535, 537–541  
CPC ..... G03B 15/03; G03B 17/02; G03B 17/04;  
G03B 17/48; G03B 17/56; G03B 19/04;  
G08G 1/0175; H04N 5/2251; H04N  
5/2252; H04N 5/2253; H04N 5/2254  
See application file for complete search history.

(56) **References Cited**

U.S. PATENT DOCUMENTS

D345,336 S \* 3/1994 Pigott, Jr. .... D12/202  
D560,702 S \* 1/2008 Tokiwa ..... D16/208  
D561,805 S \* 2/2008 Tokiwa ..... D16/208

D575,318 S \* 8/2008 Dean ..... D16/203  
D662,122 S \* 6/2012 Goodwin ..... D16/208  
D781,759 S \* 3/2017 Galley ..... D12/202  
D782,560 S \* 3/2017 Li ..... D16/208  
D834,083 S \* 11/2018 Matsumoto ..... D16/202

FOREIGN PATENT DOCUMENTS

JP 2010-018138 1/2010  
JP 2010-173542 8/2010

\* cited by examiner

*Primary Examiner* — Ramzi S Almatrahi

(74) *Attorney, Agent, or Firm* — Muramatsu & Associates

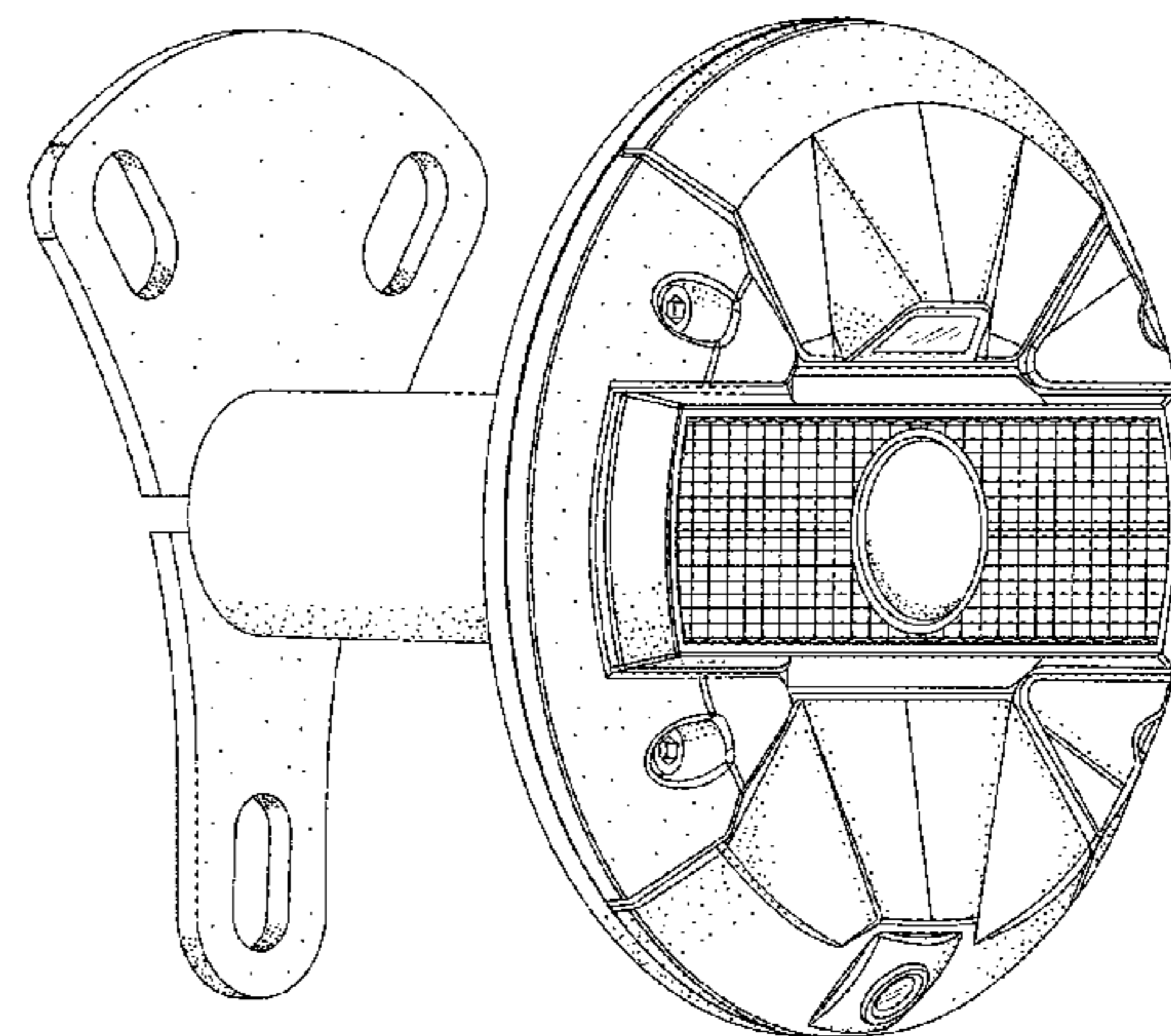
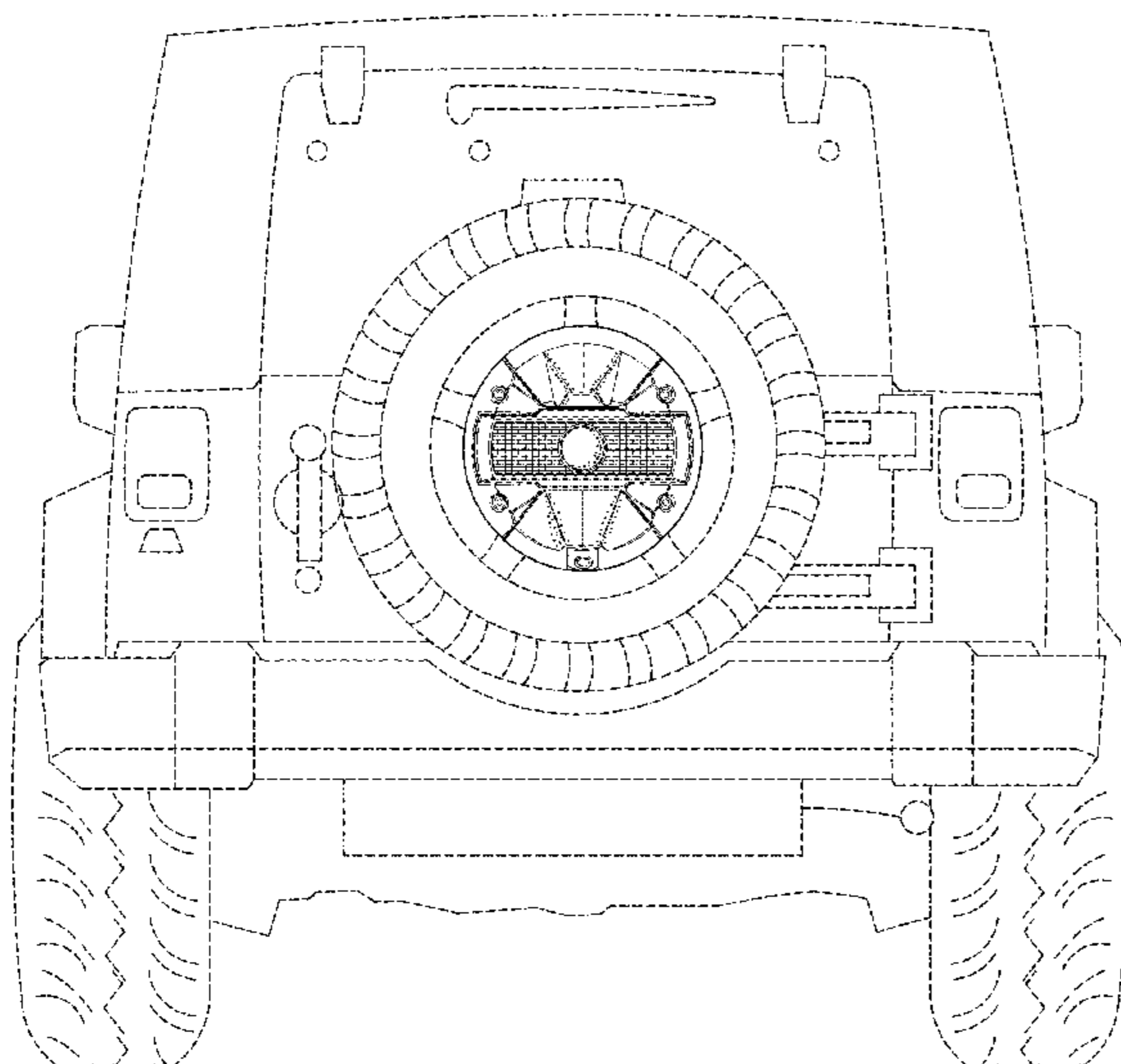
(57) **CLAIM**

The ornamental design for a spare tire camera and light system, as shown and described.

**DESCRIPTION**

FIG. 1 is a front view of a spare tire camera and light system, shown in condition of use with a vehicle disclosed in broken lines to illustrate an environment; FIG. 2 is a perspective view thereof; FIG. 3 is a front view thereof; FIG. 4 is a rear view thereof; FIG. 5 is a left side view thereof; FIG. 6 is a right side view thereof; FIG. 7 is a top plan view thereof; and, FIG. 8 is a bottom plan view thereof. The broken lines depict portions of the spare tire camera and light system in which the design is embodied that form no part of the claimed design. Additionally, the broken lines showing a vehicle in FIG. 1 represent environmental structure and form no part of the claimed design.

**1 Claim, 5 Drawing Sheets**



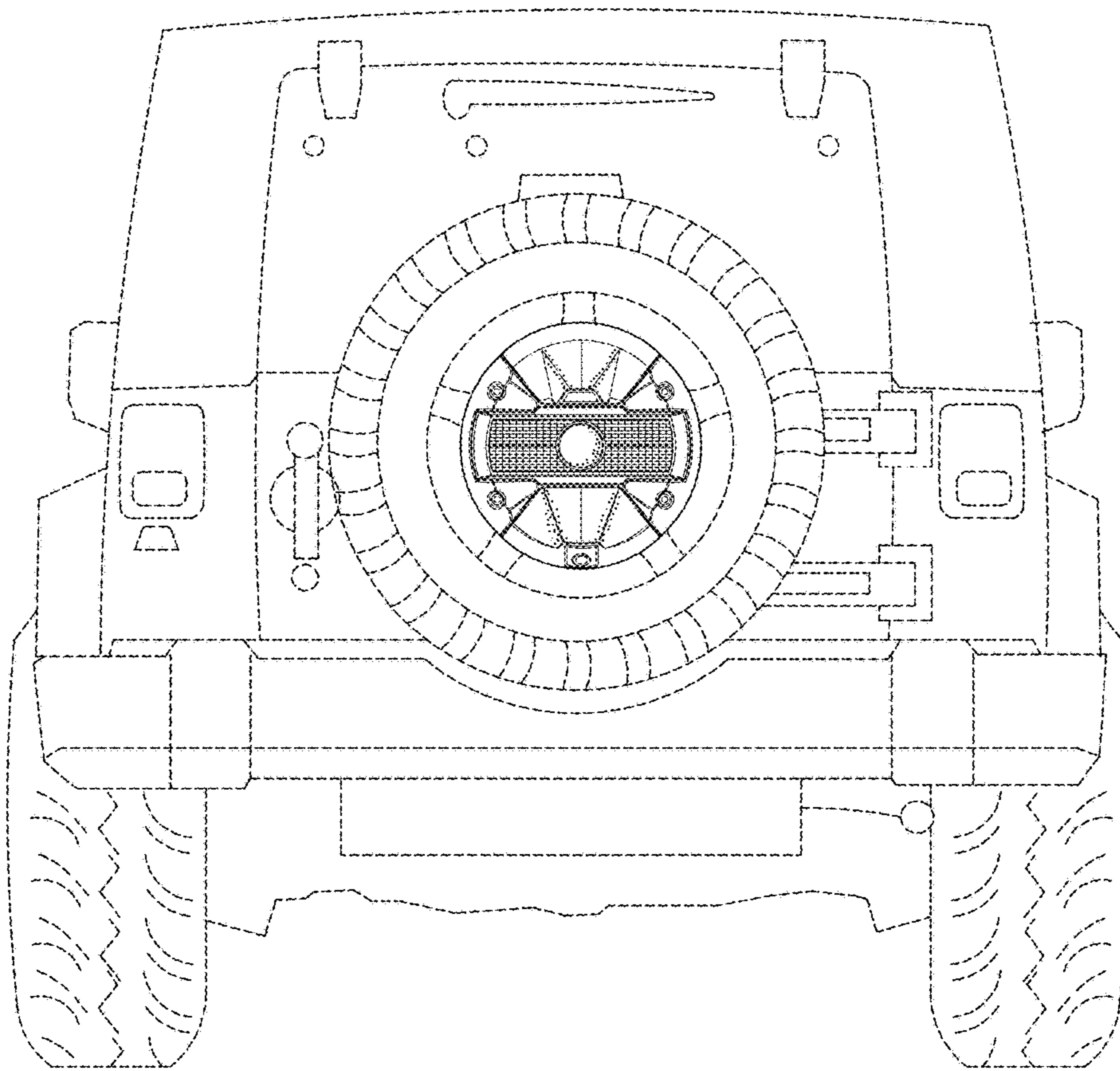


Fig. 1

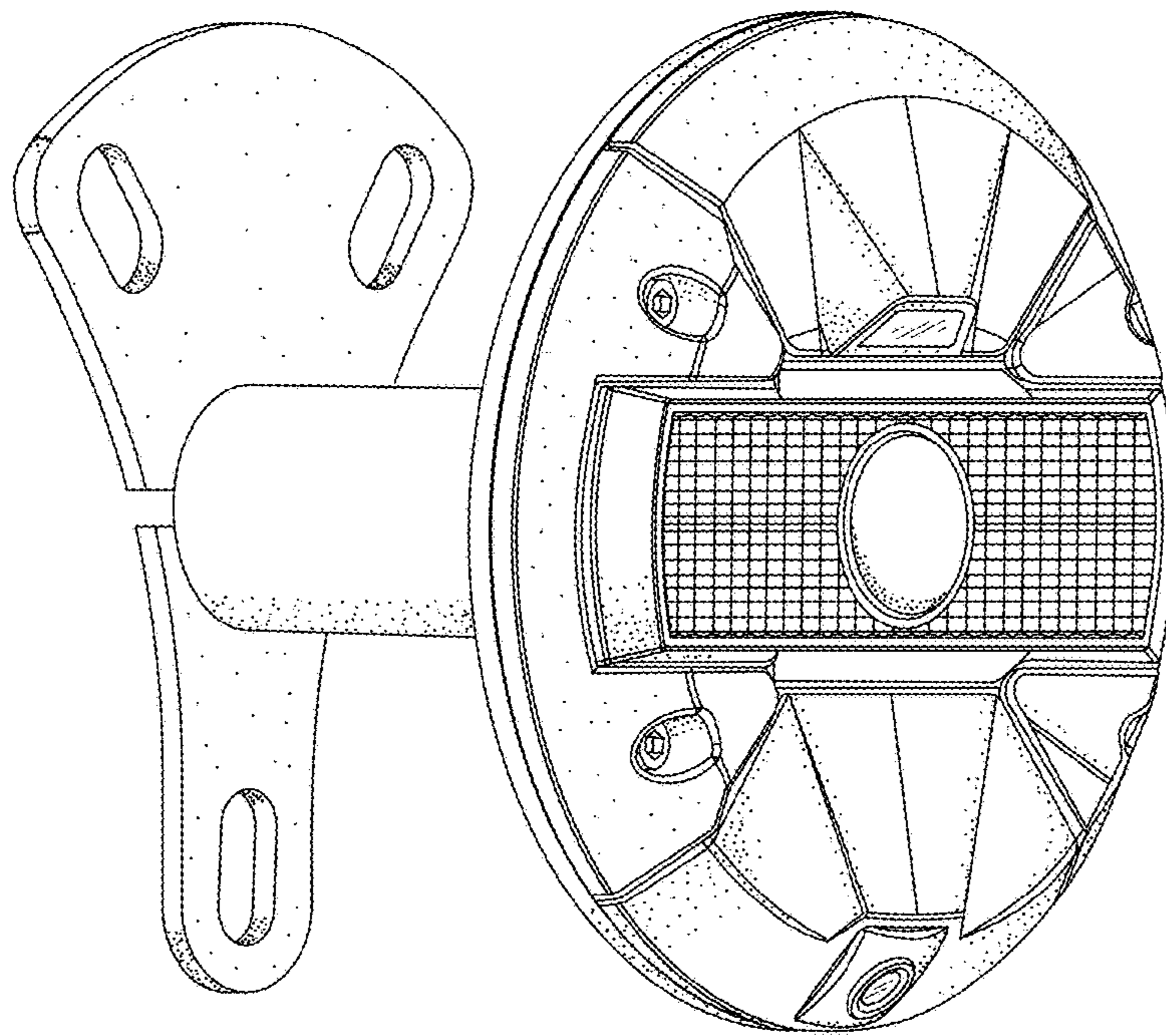


Fig. 2

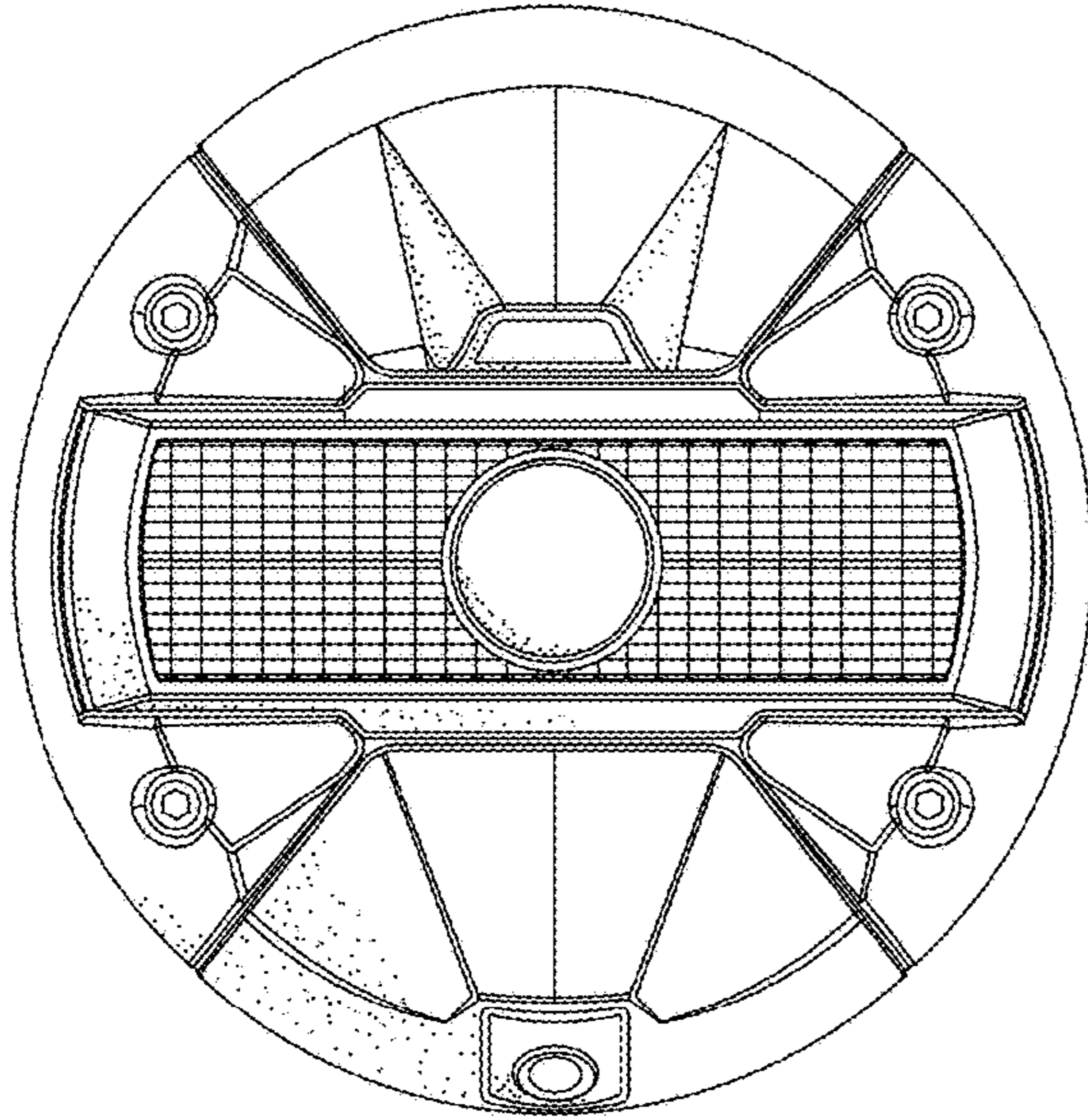


Fig. 3

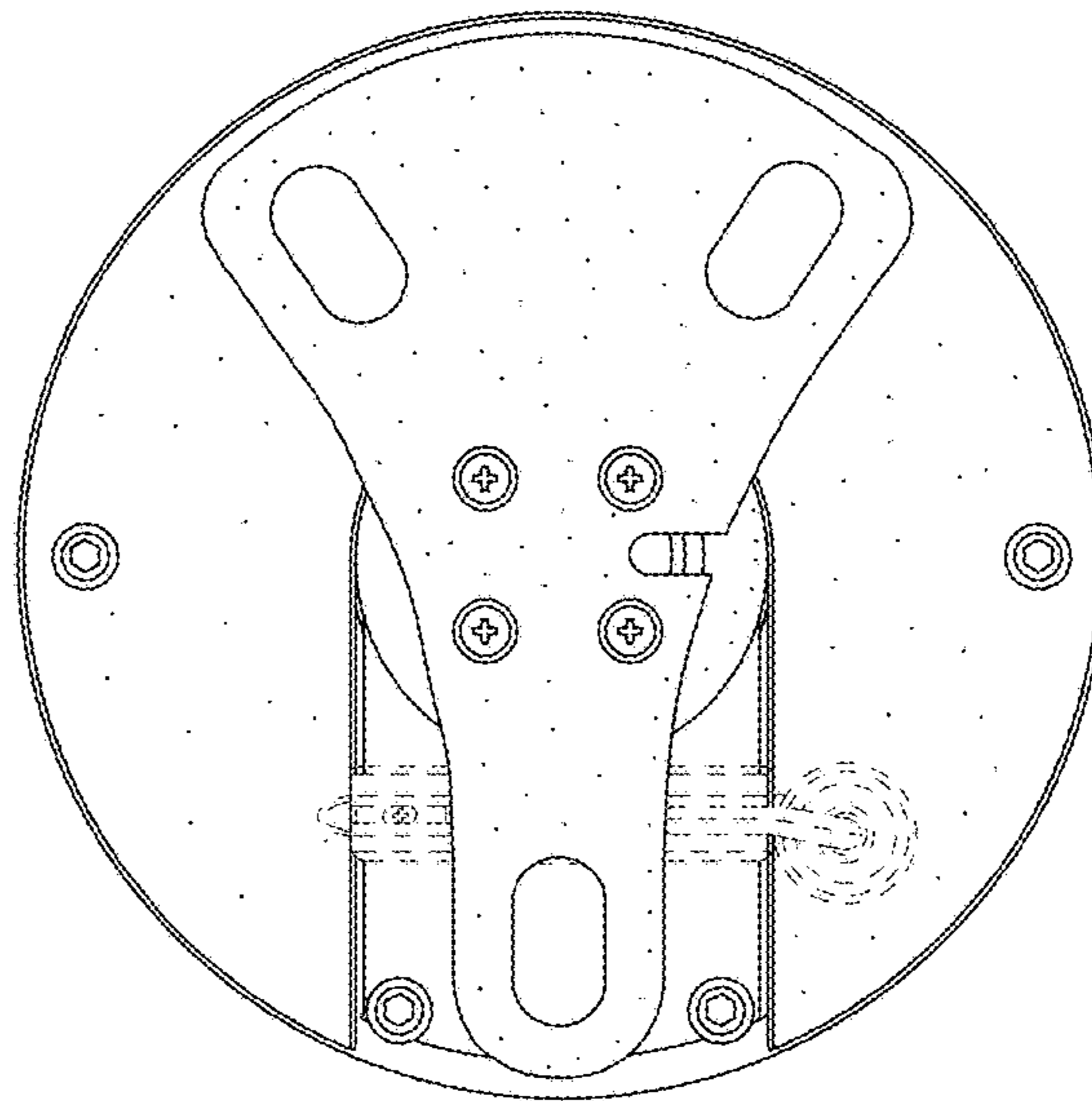


Fig. 4

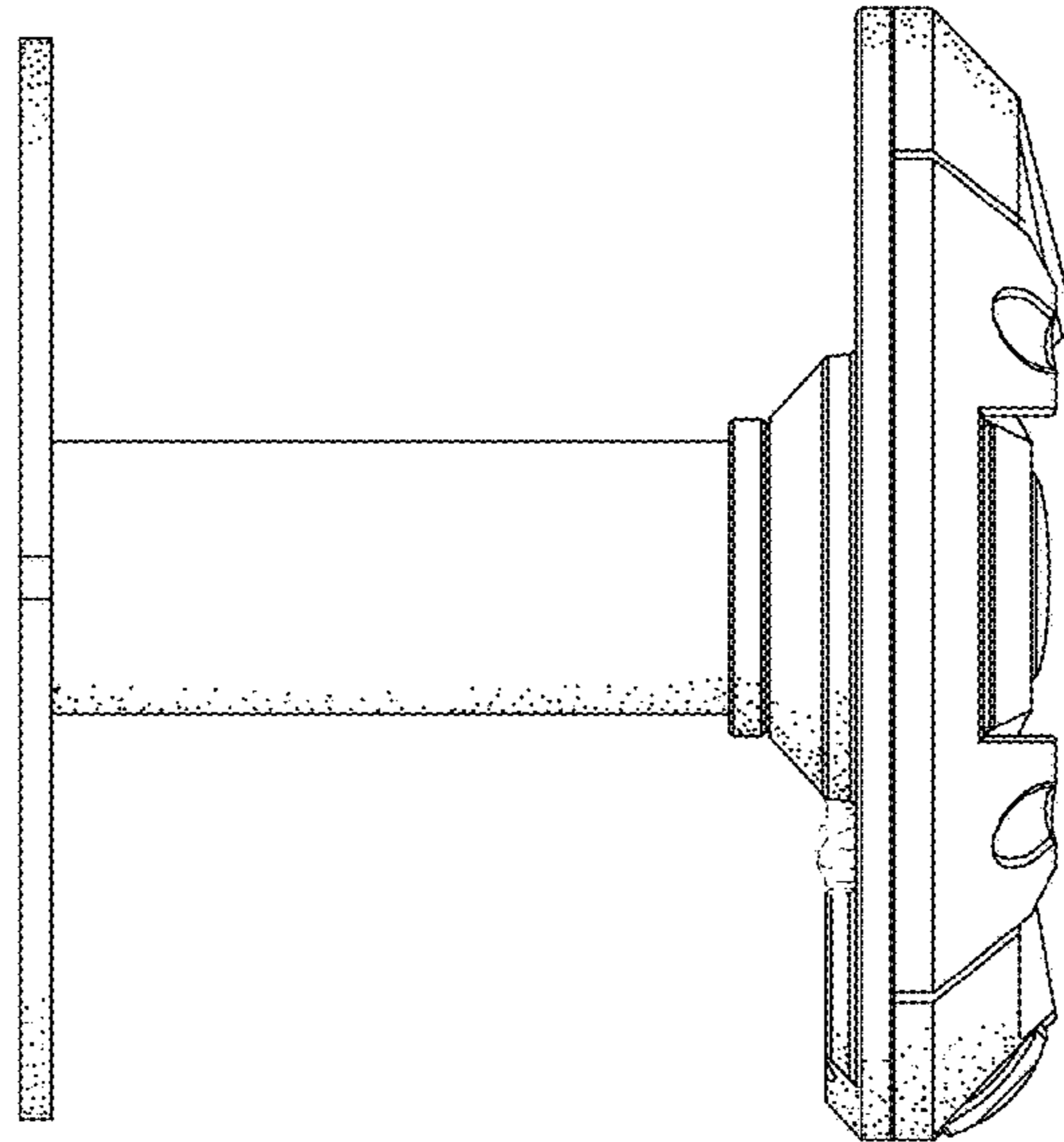


Fig. 5

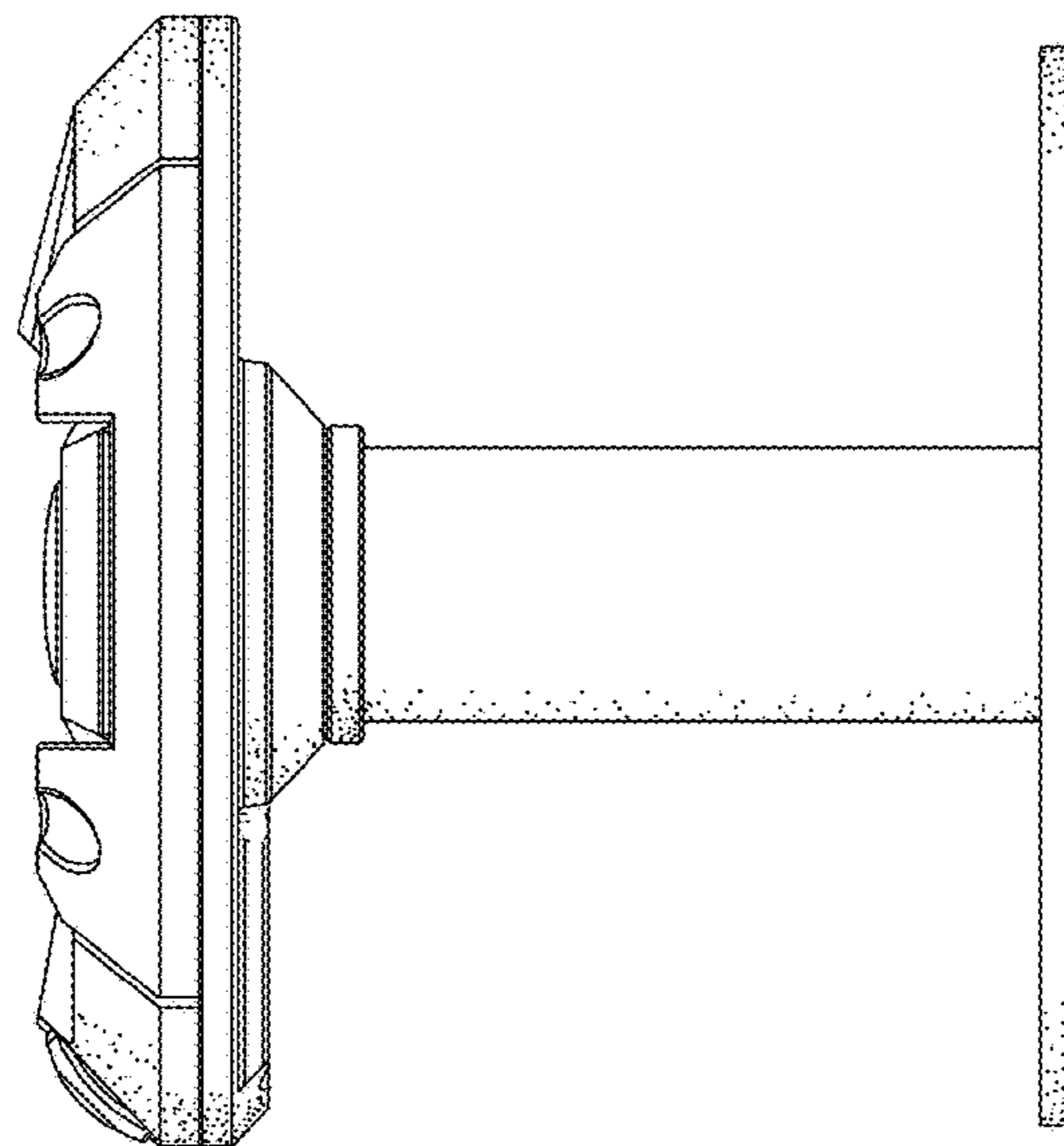


Fig. 6

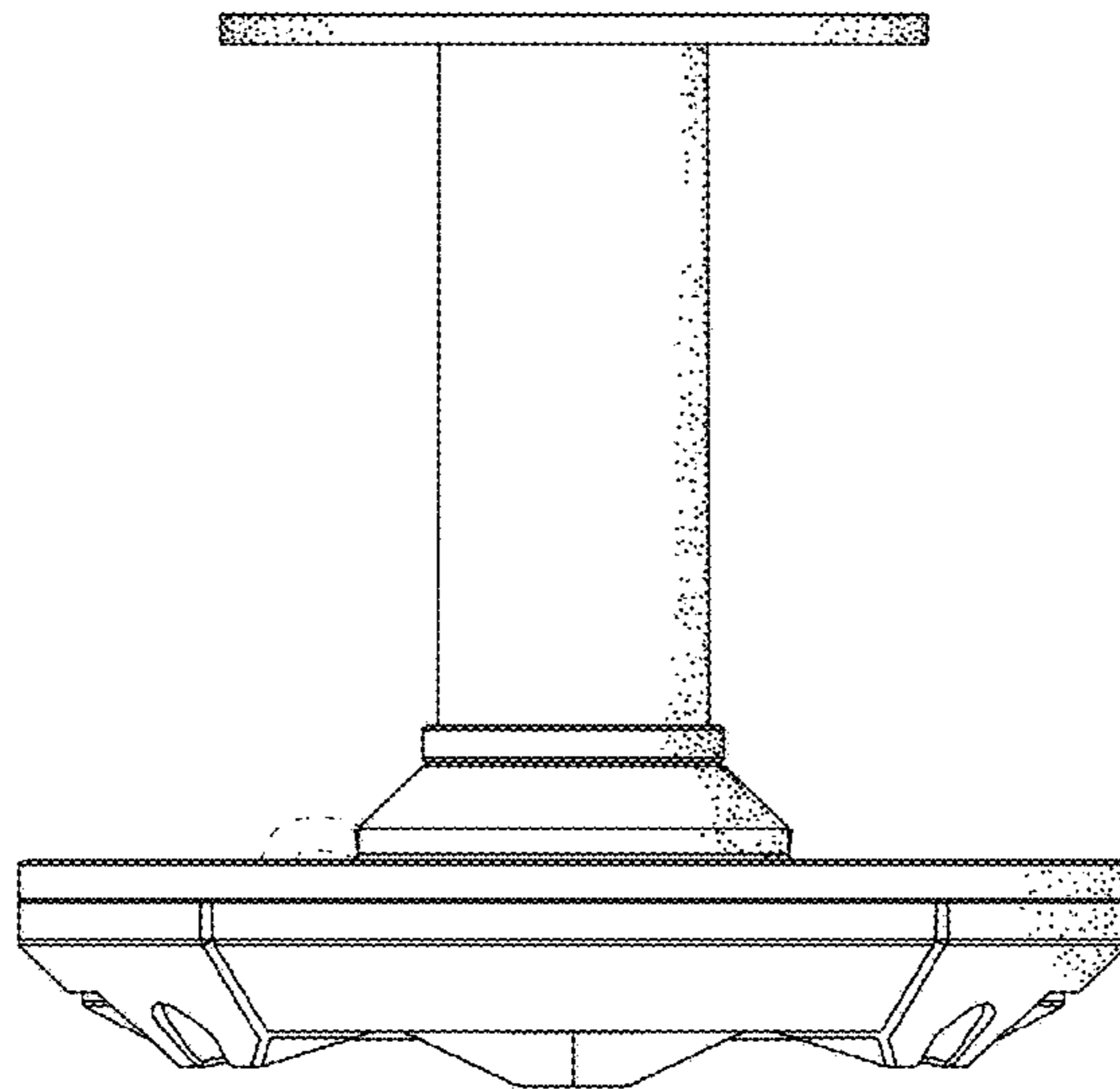


Fig. 7

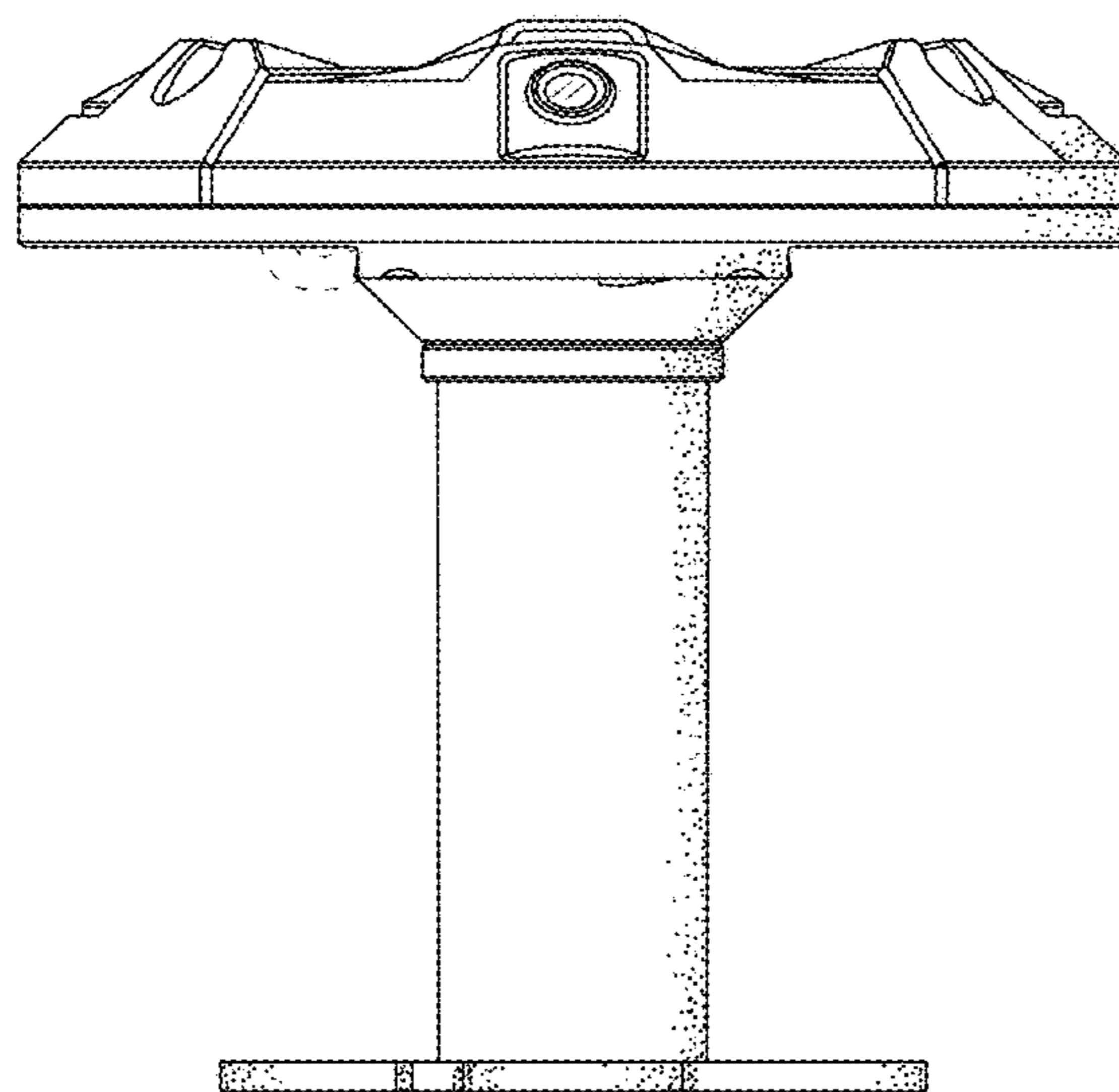


Fig. 8