



US00D859495S

(12) **United States Design Patent** (10) **Patent No.:** **US D859,495 S**
Iritani et al. (45) **Date of Patent:** **** Sep. 10, 2019**

(54) **HOUSING FOR MONITORING CAMERA**

(56) **References Cited**

(71) Applicant: **KONICA MINOLTA, INC.**,
Chiyoda-ku, Tokyo (JP)

U.S. PATENT DOCUMENTS

(72) Inventors: **Yu Iritani**, Tokyo (JP); **Hideki Tsubokura**, Osaka (JP)

D157,847 S	3/1950	Dreyfuss	
D182,083 S	2/1958	Richartz	
D188,921 S	9/1960	Ronvik	
D421,268 S	2/2000	Watanabe	
D509,843 S *	9/2005	Cho	D16/203
D563,448 S *	3/2008	Yamakawa	D16/202
D563,450 S *	3/2008	Cheng	D16/200
D564,562 S	3/2008	Honma	
D609,727 S *	2/2010	Adolfsson	D16/200
D684,205 S	6/2013	Wu	
D686,267 S *	7/2013	Mihara	D16/202
D724,641 S	3/2015	Cho	
D750,148 S *	2/2016	Eriksen	D16/218
D754,235 S *	4/2016	Fish, Jr.	D16/218
D785,070 S	4/2017	Mistry	
D792,496 S	7/2017	Meyer	

(73) Assignee: **KONICA MINOLTA, INC.**,
Chiyoda-Ku, Tokyo (JP)

(**) Term: **15 Years**

(21) Appl. No.: **29/667,554**

(22) Filed: **Oct. 23, 2018**

(Continued)

Related U.S. Application Data

(62) Division of application No. 29/590,391, filed on Jan. 10, 2017, now Pat. No. Des. 835,700.

Primary Examiner — Ramzi S Almatrahi

(74) *Attorney, Agent, or Firm* — Buchanan Ingersoll & Rooney PC

(30) **Foreign Application Priority Data**

Jul. 14, 2016 (JP) 2016-015089
Jul. 14, 2016 (JP) 2016-015090

(51) **LOC (12) Cl.** **16-01**

(52) **U.S. Cl.**
USPC **D16/203**

(58) **Field of Classification Search**
USPC D16/200, 202–206, 208–209, 212, 218,
D16/219; 348/373–376; 396/287, 535,
396/539–541
CPC G03B 15/03; G03B 17/02; G03B 17/04;
G03B 17/56; G03B 19/04; H04N 5/2251;
H04N 5/2252; H04N 5/2253; H04N
5/2254; H04N 2101/00
See application file for complete search history.

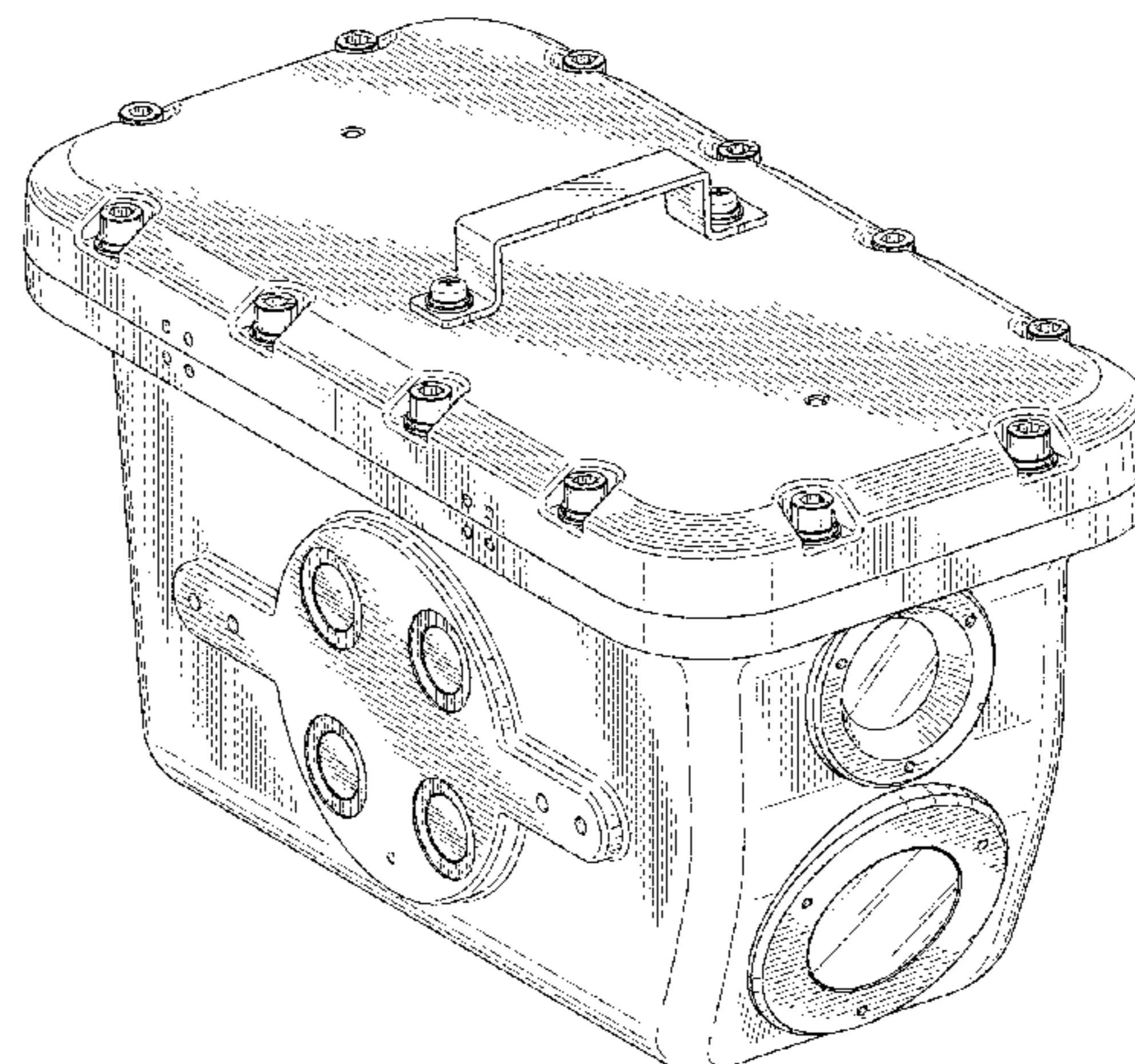
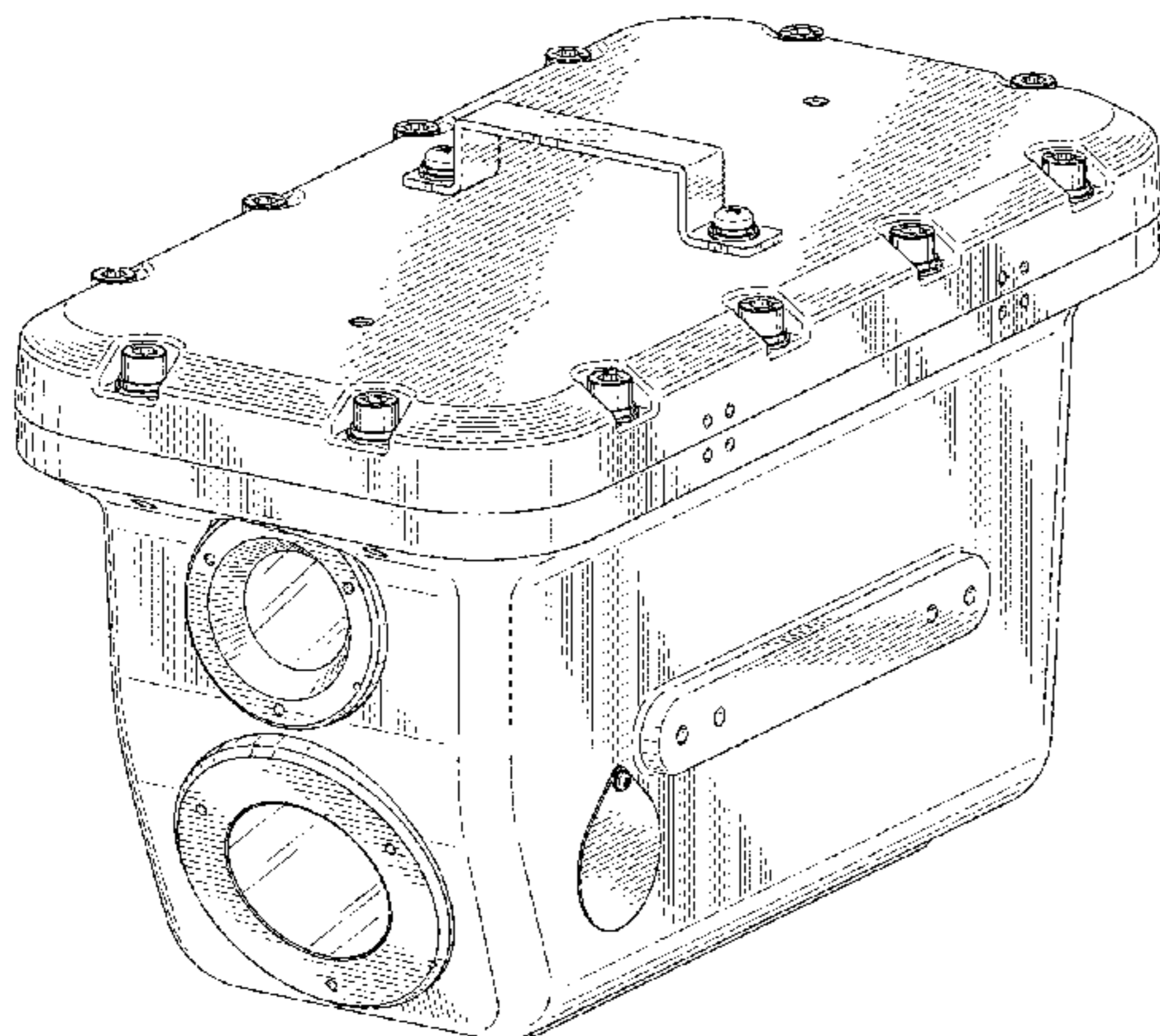
(57) **CLAIM**

The ornamental design for a housing for monitoring camera, as shown and described.

DESCRIPTION

FIG. 1 is a front elevational view of a housing for monitoring camera showing our new design;
FIG. 2 is a back elevational view thereof;
FIG. 3 is a top plan view thereof;
FIG. 4 is a bottom plan view thereof;
FIG. 5 is a right side elevational view thereof;
FIG. 6 is a left side elevational view thereof;
FIG. 7 is a top, front and right side perspective view thereof;
and,
FIG. 8 is a top, front and left side perspective view thereof.
The broken lines depict portions of the housing for monitoring camera in which the design is embodied that form no part of the claimed design.

1 Claim, 6 Drawing Sheets



(56)

References Cited

U.S. PATENT DOCUMENTS

D795,940 S	8/2017	Huang	
D797,836 S *	9/2017	Li	D16/218
D803,290 S *	11/2017	Martin	D16/204
D803,924 S *	11/2017	Martin	D16/218
D809,583 S *	2/2018	Morishita	D16/202
D810,168 S	2/2018	Shi	
D810,803 S	2/2018	Suzuki	
D811,461 S *	2/2018	Chen	D16/200
D819,105 S	5/2018	Kitade	
D828,430 S *	9/2018	Pandya	D16/218

* cited by examiner

FIG.1

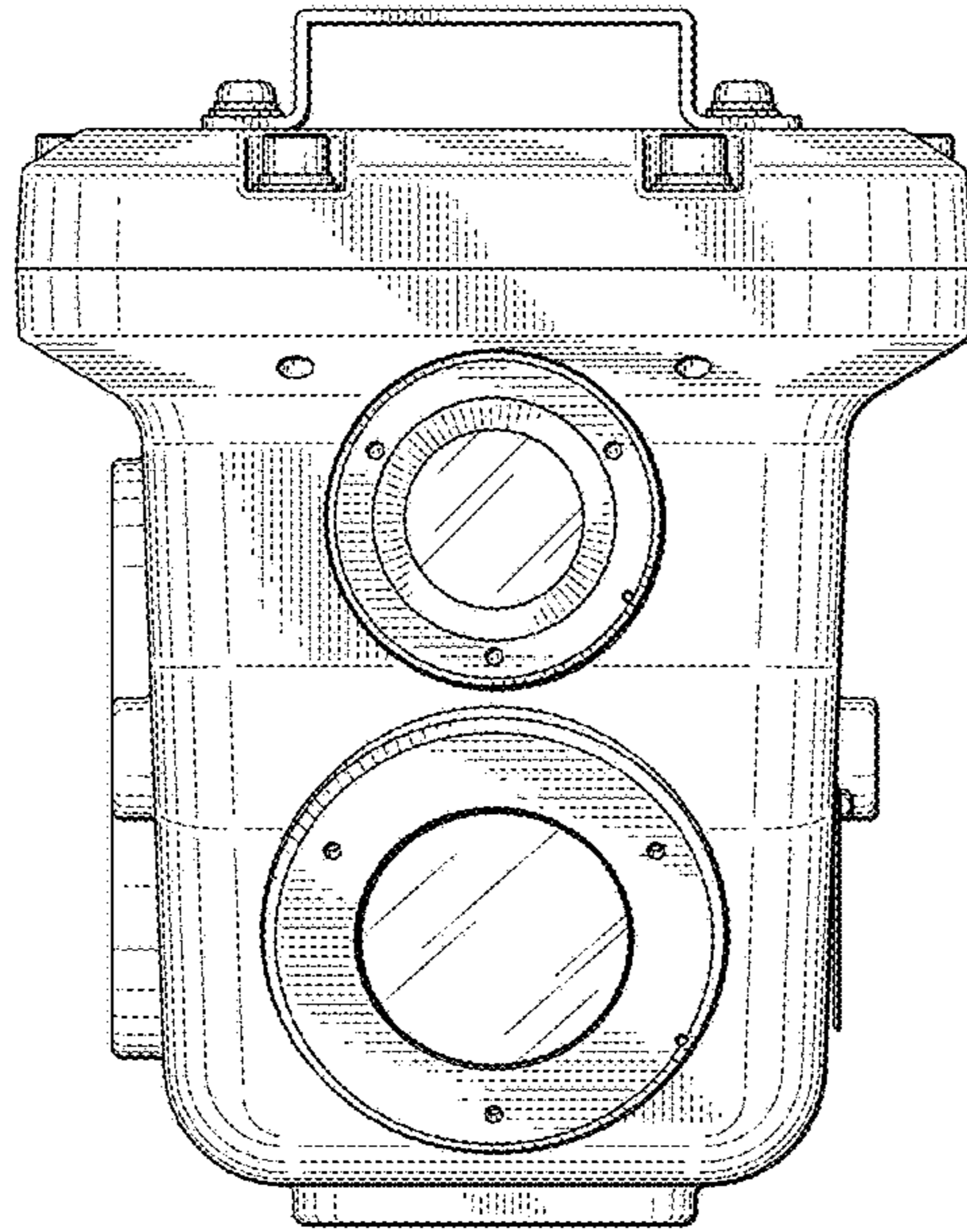


FIG.2

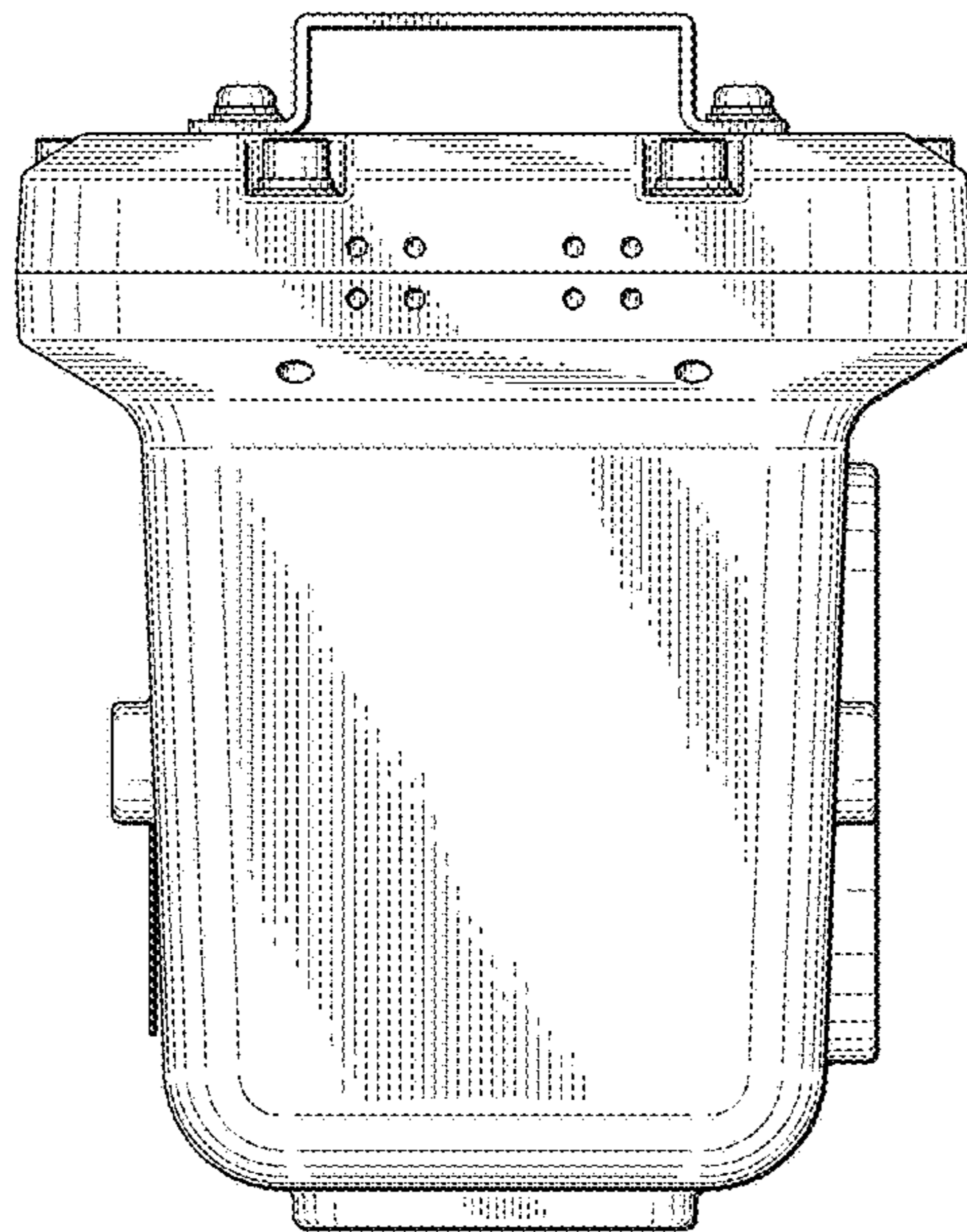


FIG.3

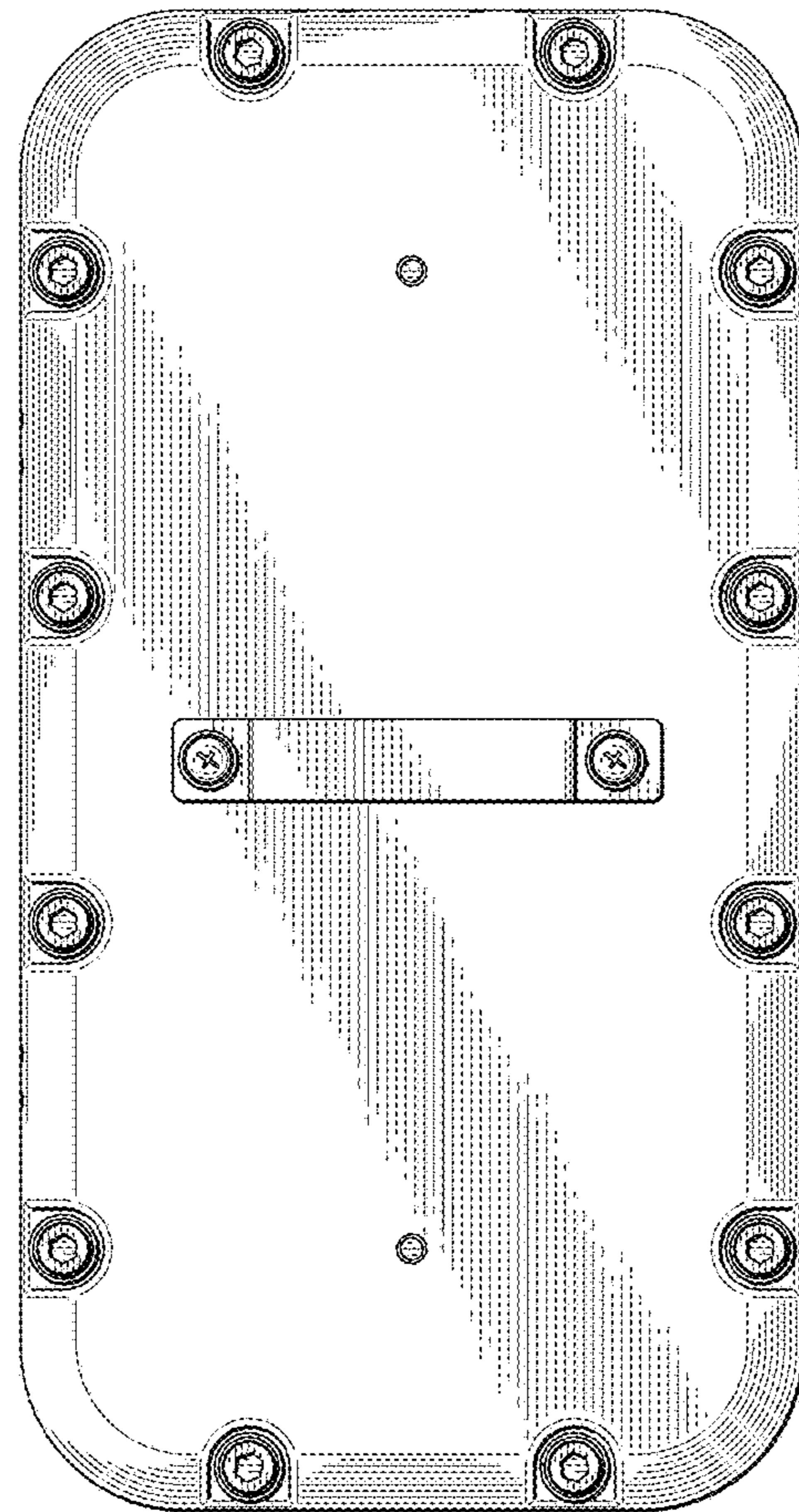


FIG. 4

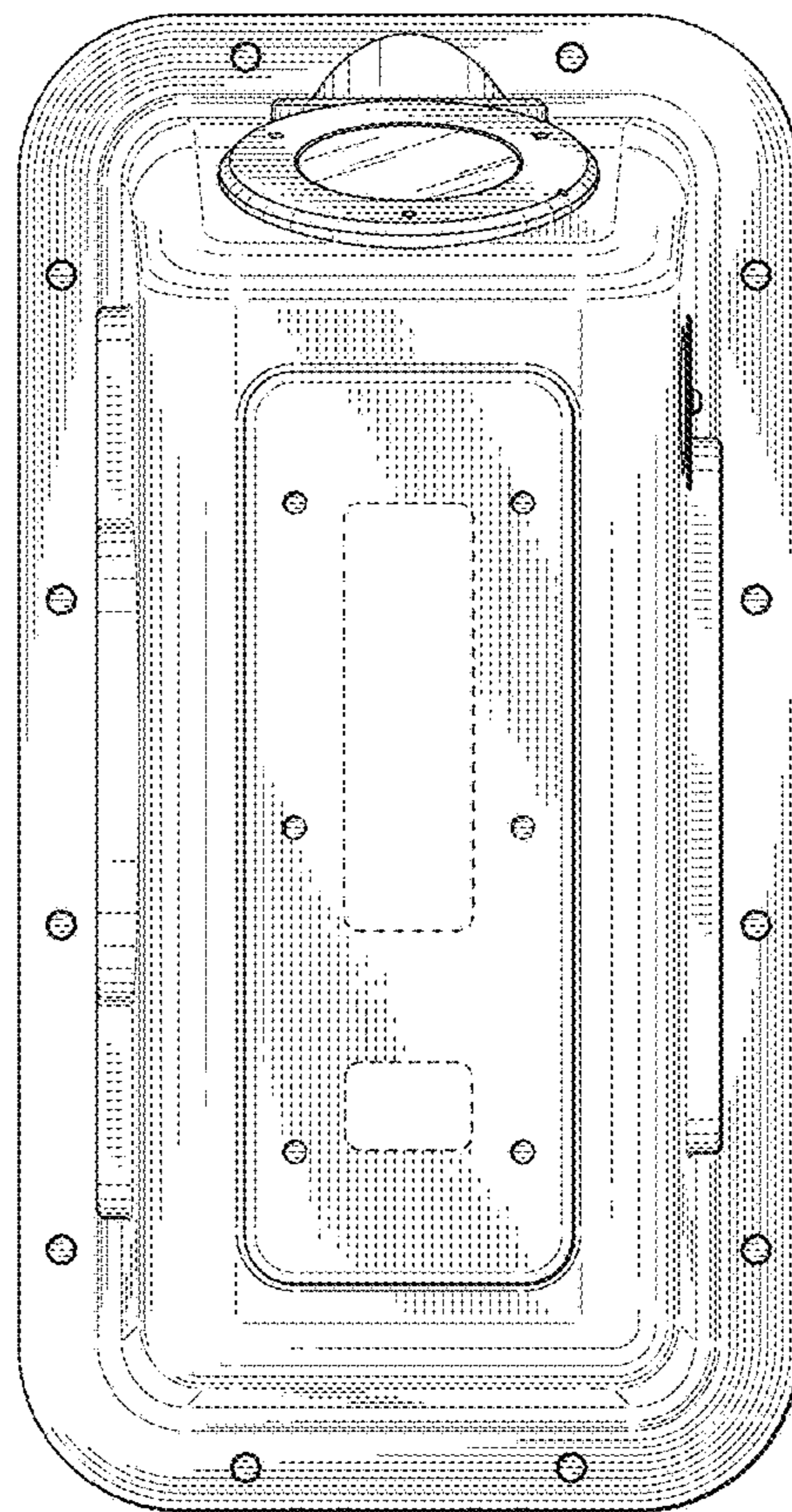


FIG.5

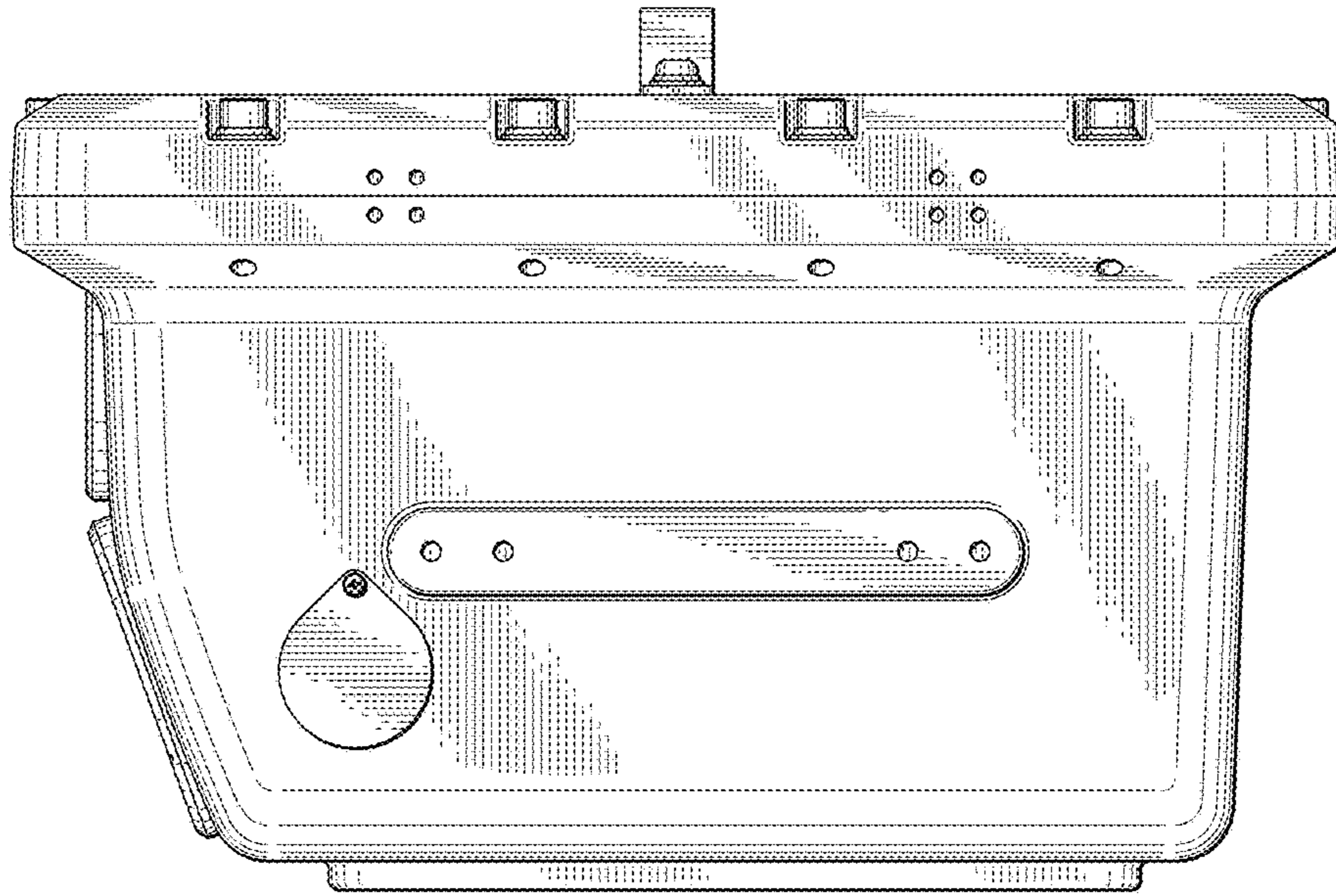


FIG.6

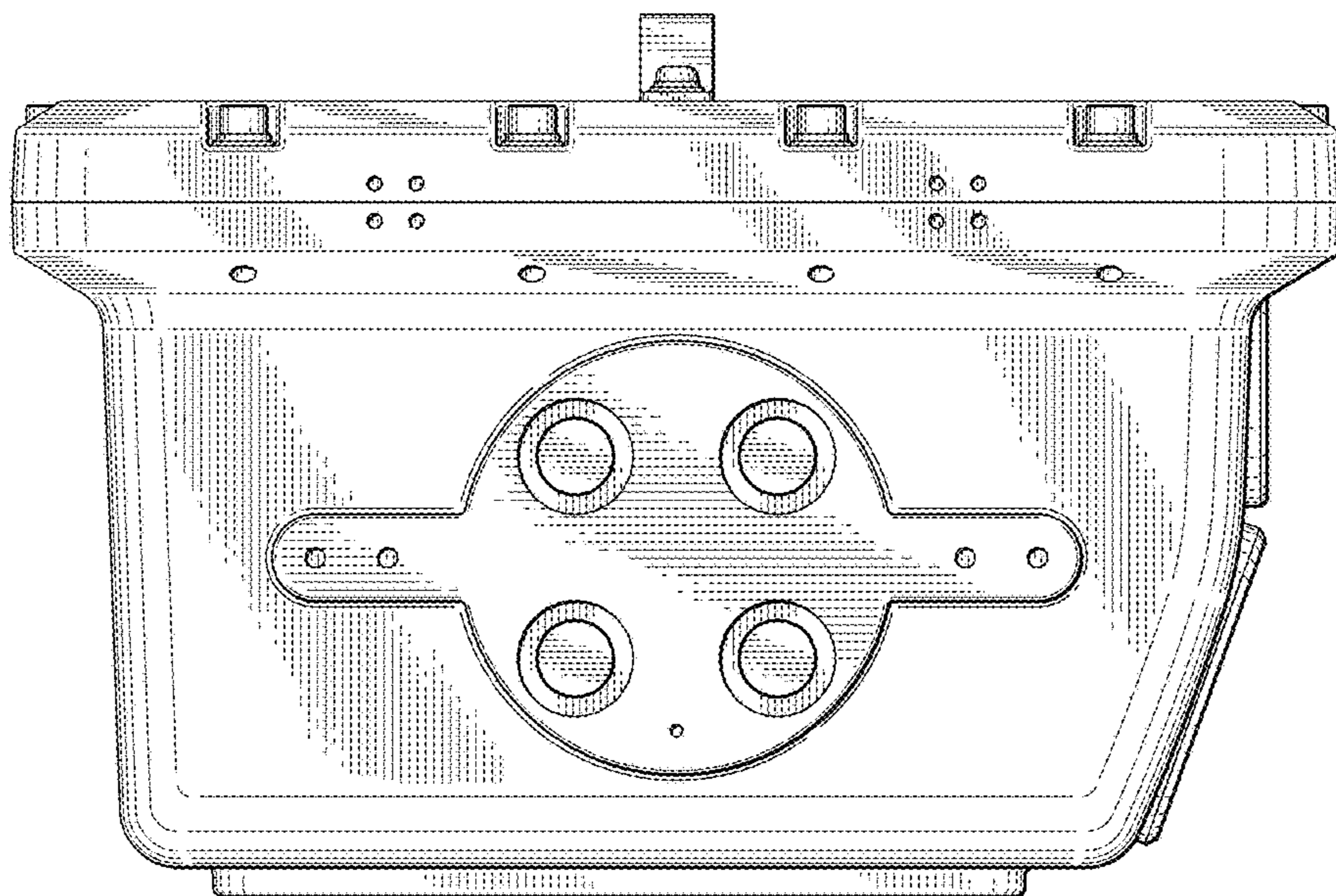


FIG.7

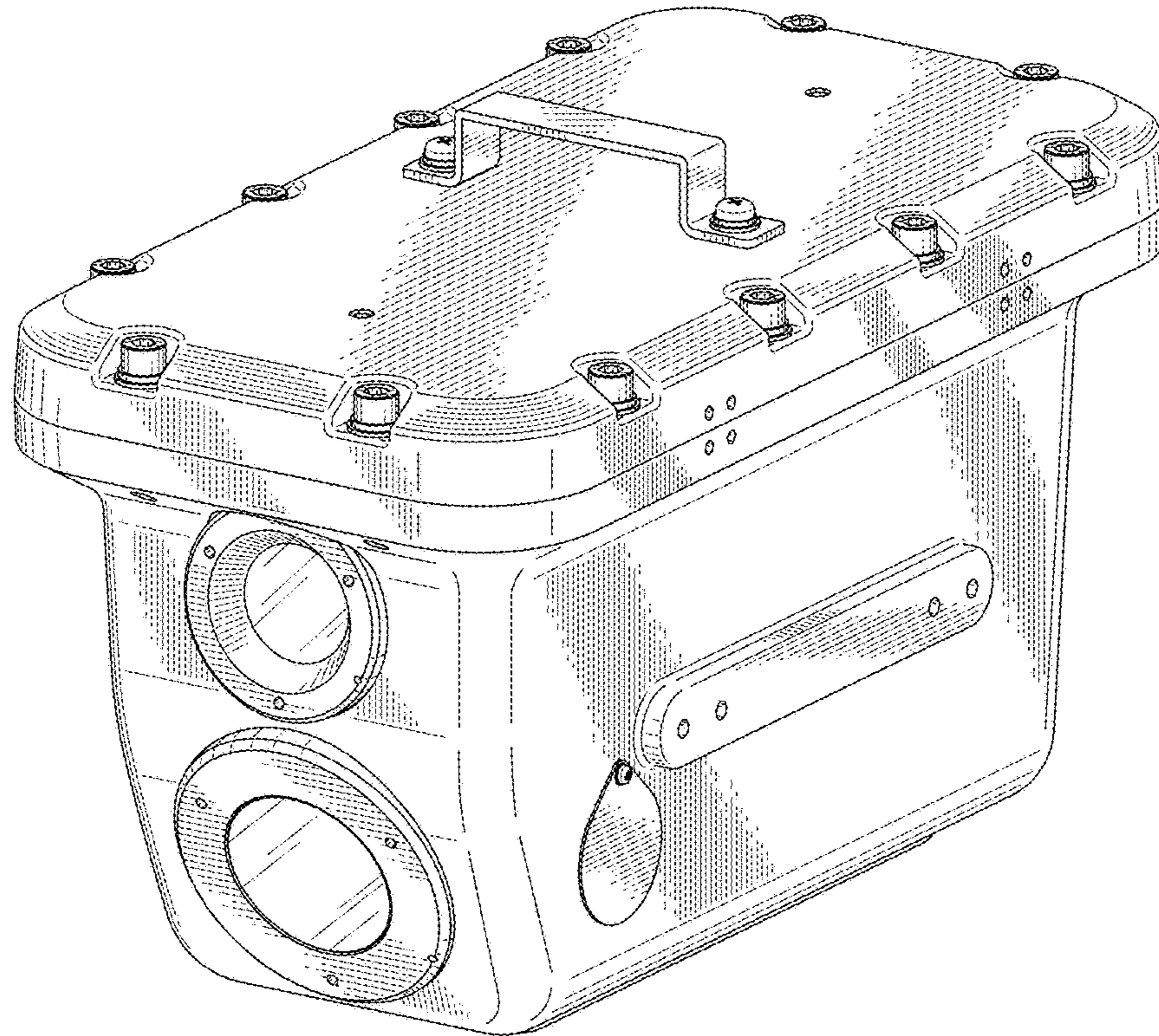


FIG.8

