



US00D859494S

(12) **United States Design Patent** (10) **Patent No.:** **US D859,494 S**
von Fintel et al. (45) **Date of Patent:** **** Sep. 10, 2019**

(54) **DIGITAL CAMERA BODY**

(71) Applicant: **Carl Zeiss AG**, Oberkochen (DE)

(72) Inventors: **Aaron von Fintel**, Berlin (DE);
Dominik Meier, Munich (DE);
Franziska Haas, Oberschleißheim (DE); **Alexander Peters**, Munich (DE);
Julia Löffler, Munich (DE)

(73) Assignee: **Carl Zeiss AG**, Oberkochen (DE)

(**) Term: **15 Years**

(21) Appl. No.: **29/624,003**

(22) Filed: **Oct. 29, 2017**

(30) **Foreign Application Priority Data**

Apr. 28, 2017 (EM) 003878602-0002

(51) **LOC (12) Cl.** **16-01**

(52) **U.S. Cl.**
USPC **D16/202**

(58) **Field of Classification Search**
USPC D16/200, 202–206, 208, 217, 218, 219;
348/340, 373–376; 396/89, 176–178,
396/535, 539–541

CPC G03B 15/03; G03B 17/02; G03B 17/04;
G03B 17/56; G03B 19/04; H04N 5/2251;
H04N 5/2252; H04N 5/2253; H04N
5/2254; H04N 2101/00

See application file for complete search history.

(56) **References Cited**

U.S. PATENT DOCUMENTS

D561,799 S * 2/2008 Bai D16/202
D631,496 S * 1/2011 Tainaka D16/202
D646,314 S * 10/2011 Nohara D16/202
D695,803 S * 12/2013 Kyunghan D16/202

D713,869 S * 9/2014 Kim D16/202
D734,802 S * 7/2015 Osada D16/202
D738,417 S * 9/2015 Lee D16/202
D745,908 S * 12/2015 Ham D16/202
D764,560 S * 8/2016 Jang D16/202
D779,575 S * 2/2017 Kobayashi D16/202
D795,325 S * 8/2017 Germade D16/202
D813,922 S * 3/2018 Kamei D16/202
2011/0298970 A1* 12/2011 Shinohara G03B 17/14
348/373

OTHER PUBLICATIONS

Samsung Galaxy NX smart camera user manual, Samsung Electronics America (SEA), Inc, 2013.
Das Wesentliche, Leica Q, Leica Camera AG, May 2015.
Leica M/M-P, Instructions, Leica Camera AG, 2014.
Lytro ILLUM User Manual, Aug. 5, 2015.

(Continued)

Primary Examiner — Ramzi S Almatrahi

(74) *Attorney, Agent, or Firm* — Ewers & Hasselmann PLLC

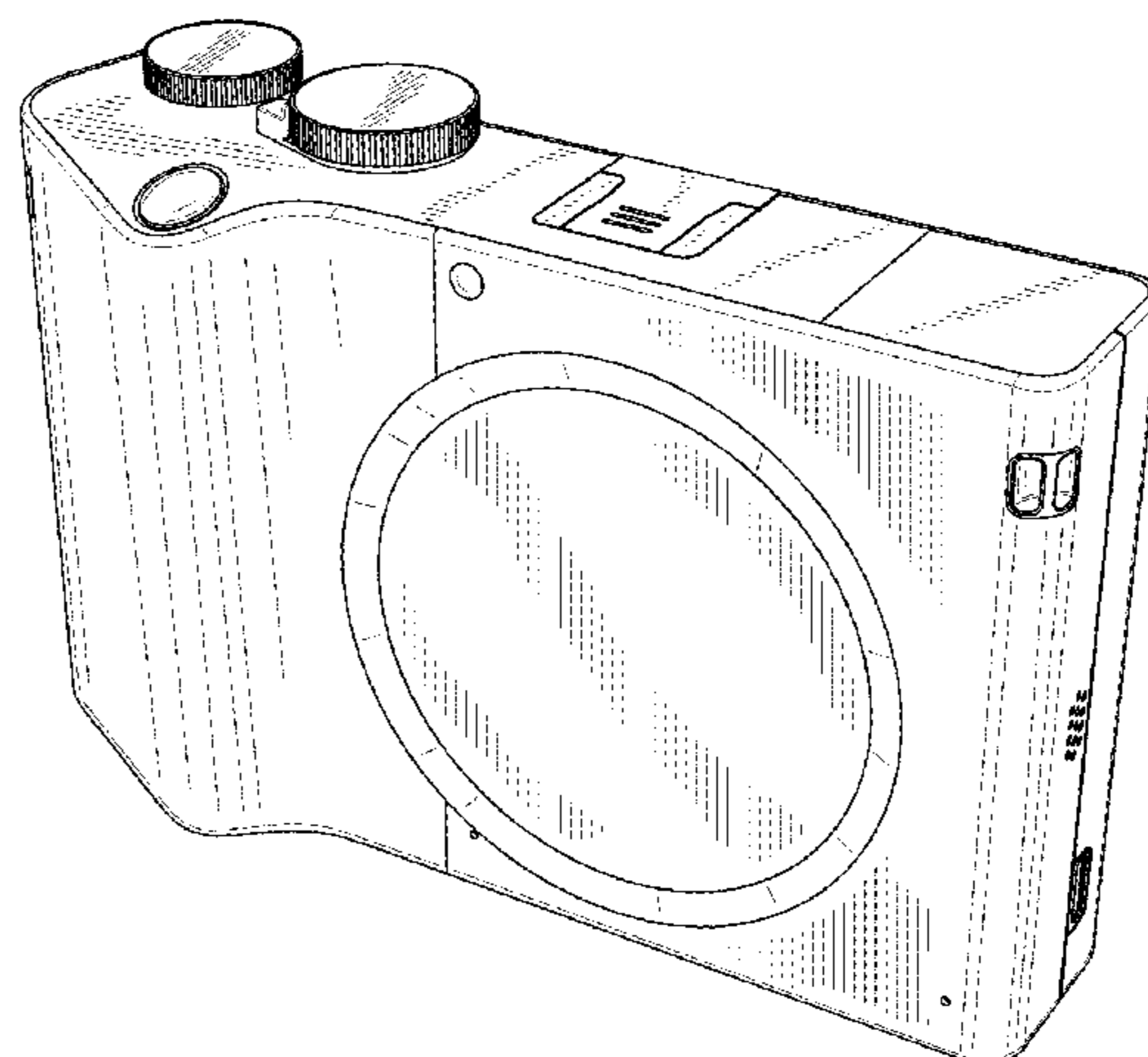
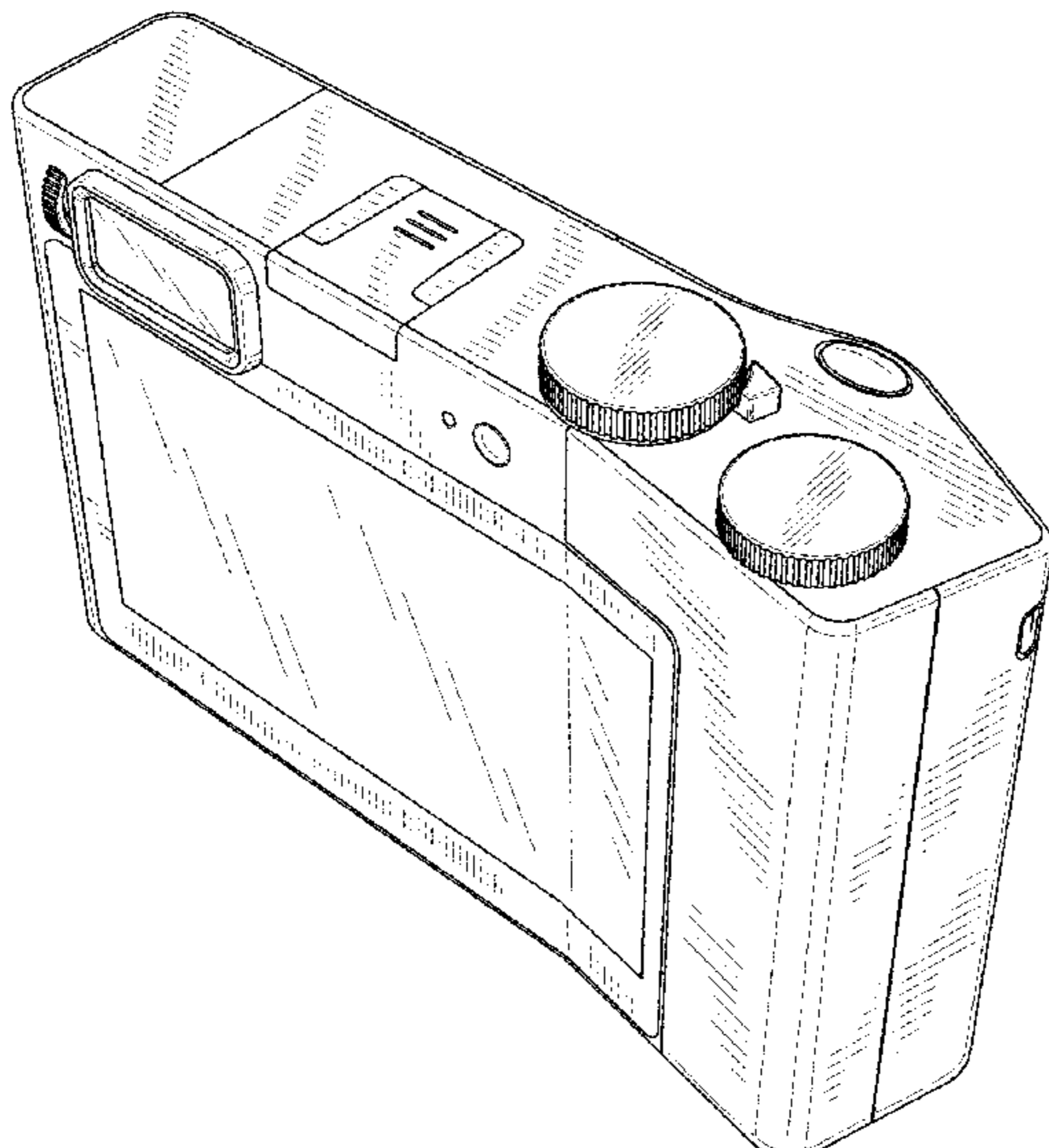
(57) **CLAIM**

The ornamental design for a digital camera body, as shown and described.

DESCRIPTION

FIG. 1 is a top and rear perspective view of a digital camera body showing our new design;
FIG. 2 is a top plan view thereof;
FIG. 3 is a bottom plan view thereof;
FIG. 4 is a front elevation view thereof;
FIG. 5 is a rear elevation view thereof;
FIG. 6 is a right side elevation view thereof;
FIG. 7 is a left side elevation view thereof;
FIG. 8 is a bottom and rear perspective view thereof;
FIG. 9 is a top and front perspective view thereof; and,
FIG. 10 is a bottom and front perspective view thereof.

1 Claim, 10 Drawing Sheets



(56)

References Cited

OTHER PUBLICATIONS

SIGMA, dp Quattro, Sigma Corporation, 2015.

Cyber-shot User Guide, Sony Corporation, 2013.

U.S. Appl. No. 29/624,002, filed Oct. 29, 2018, Aaron von Fintel.

U.S. Appl. No. 29/624,004, filed Oct. 29, 2018, Aaron von Fintel.

U.S. Appl. No. 29/624,005, filed Oct. 29, 2018, Aaron von Fintel.

U.S. Appl. No. 29/624,006, filed Oct. 29, 2018, Aaron von Fintel.

* cited by examiner

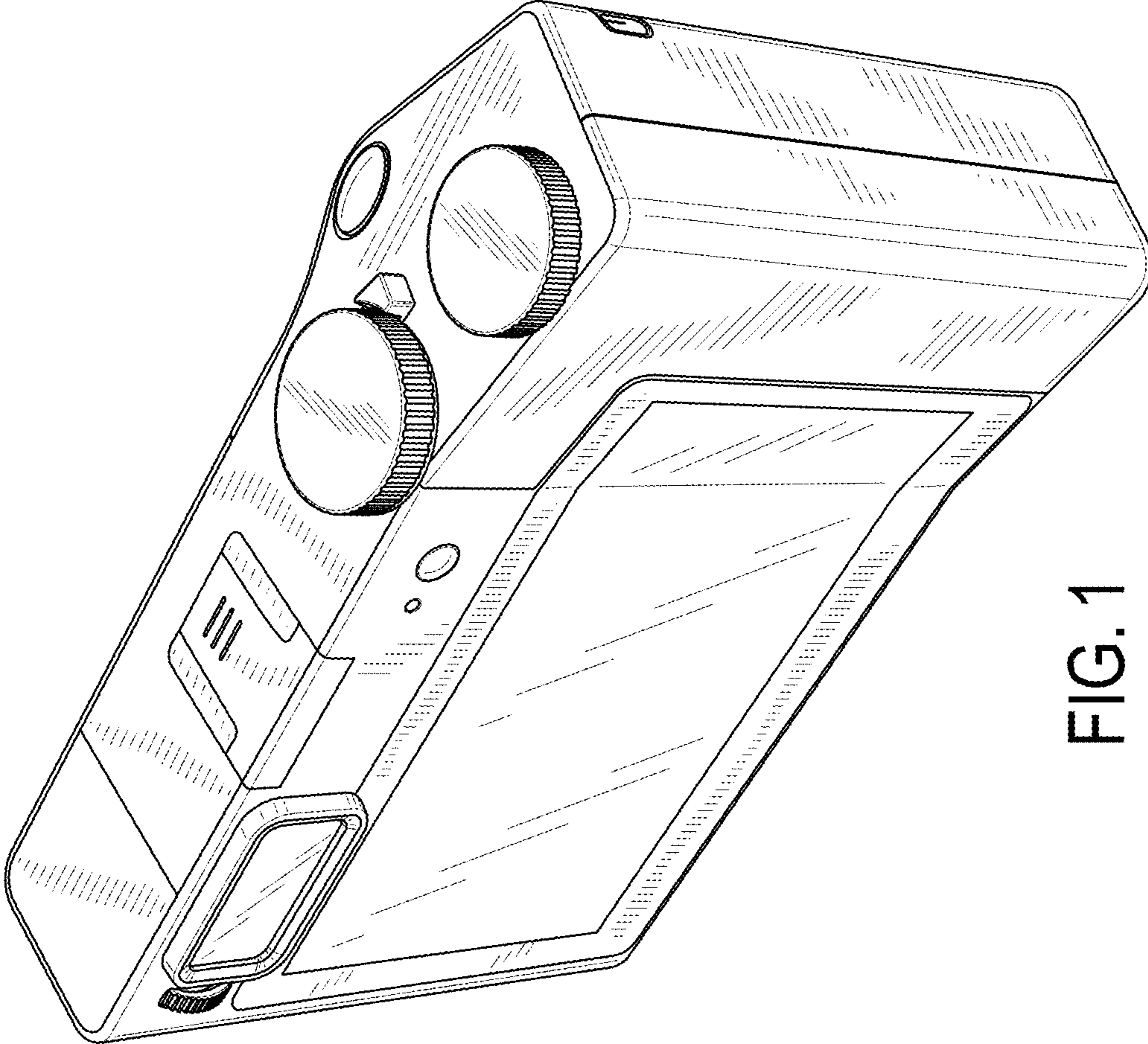


FIG. 1

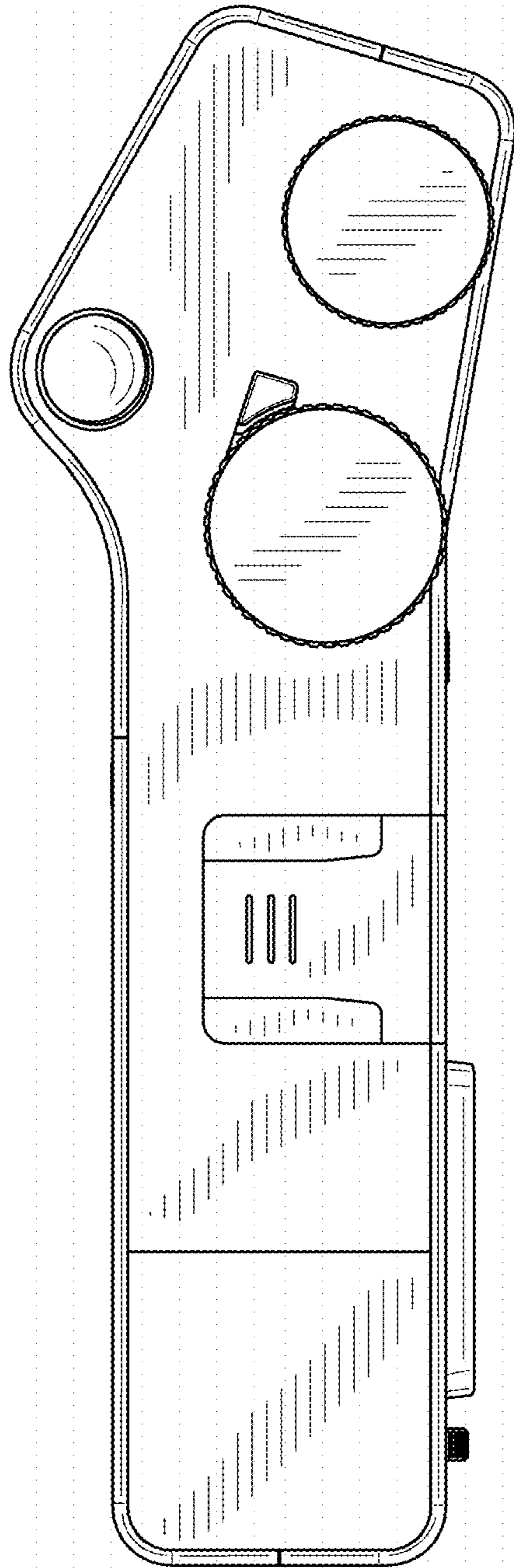


FIG. 2

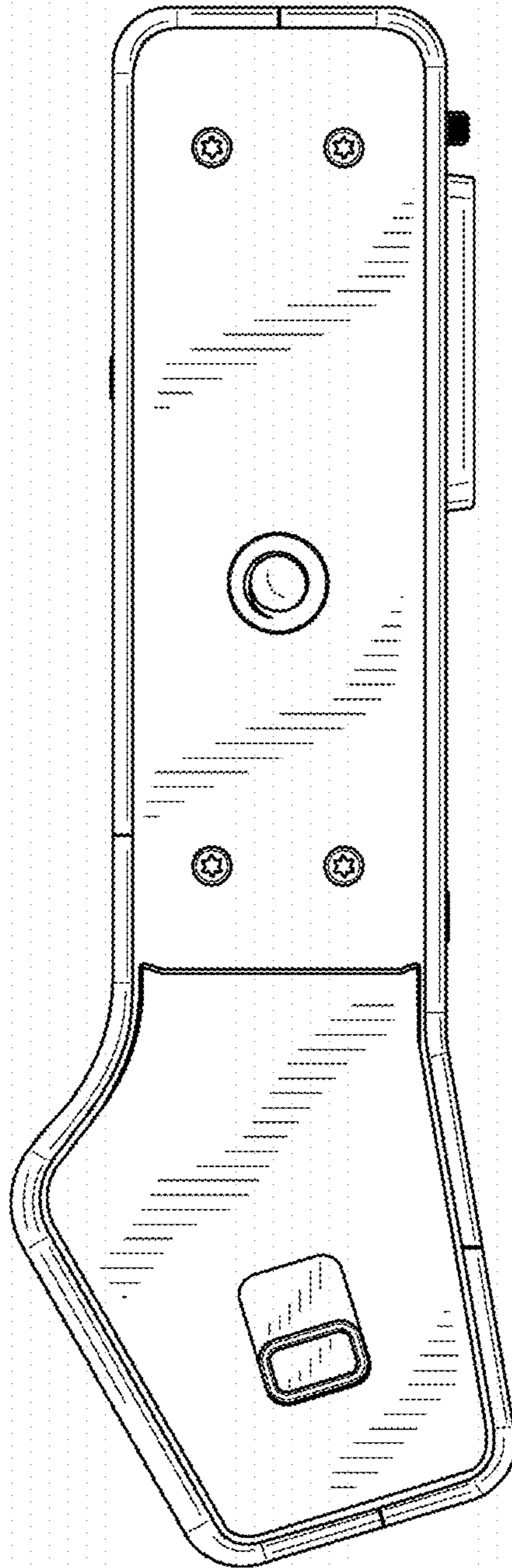


FIG. 3

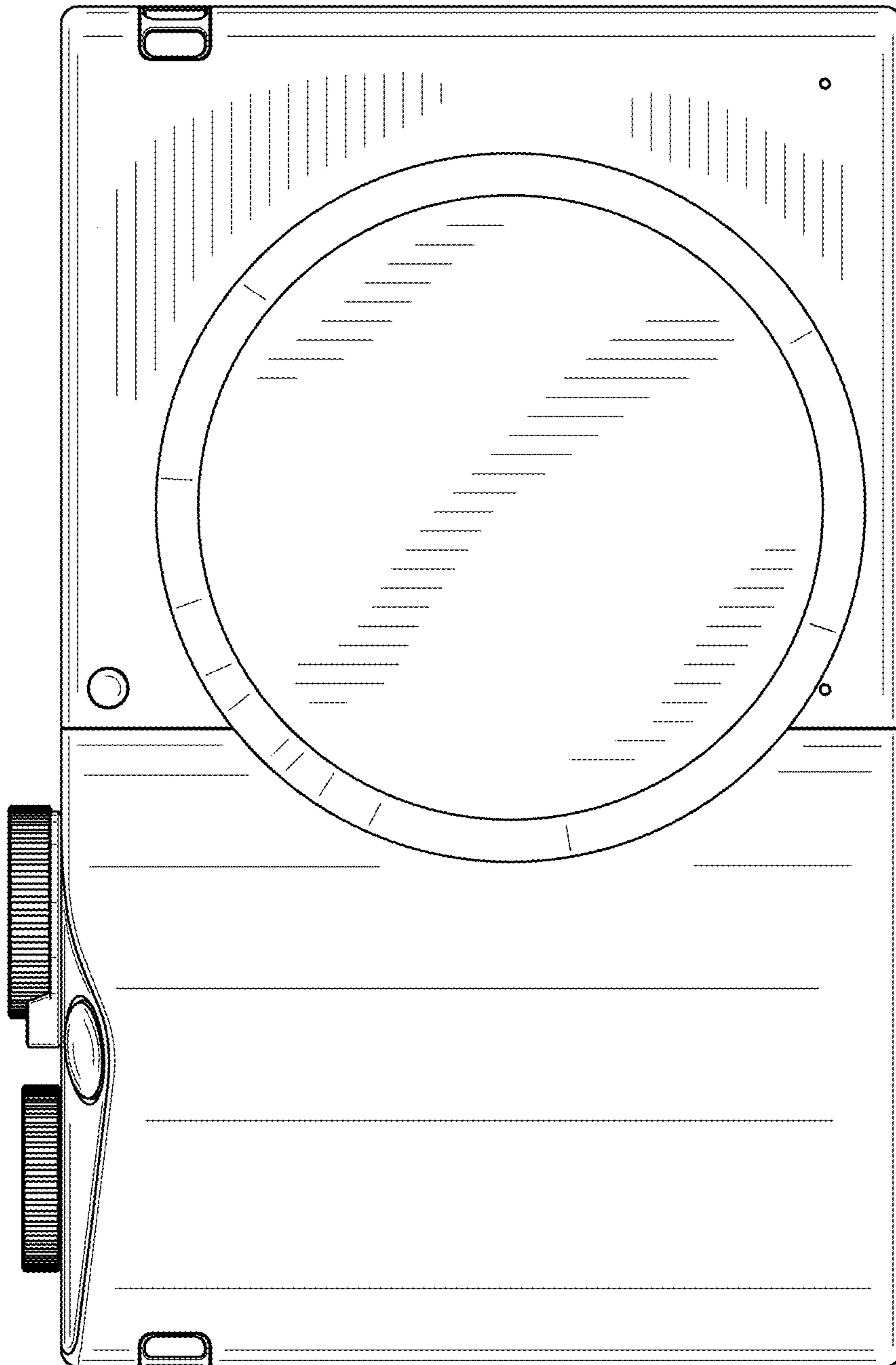


FIG. 4

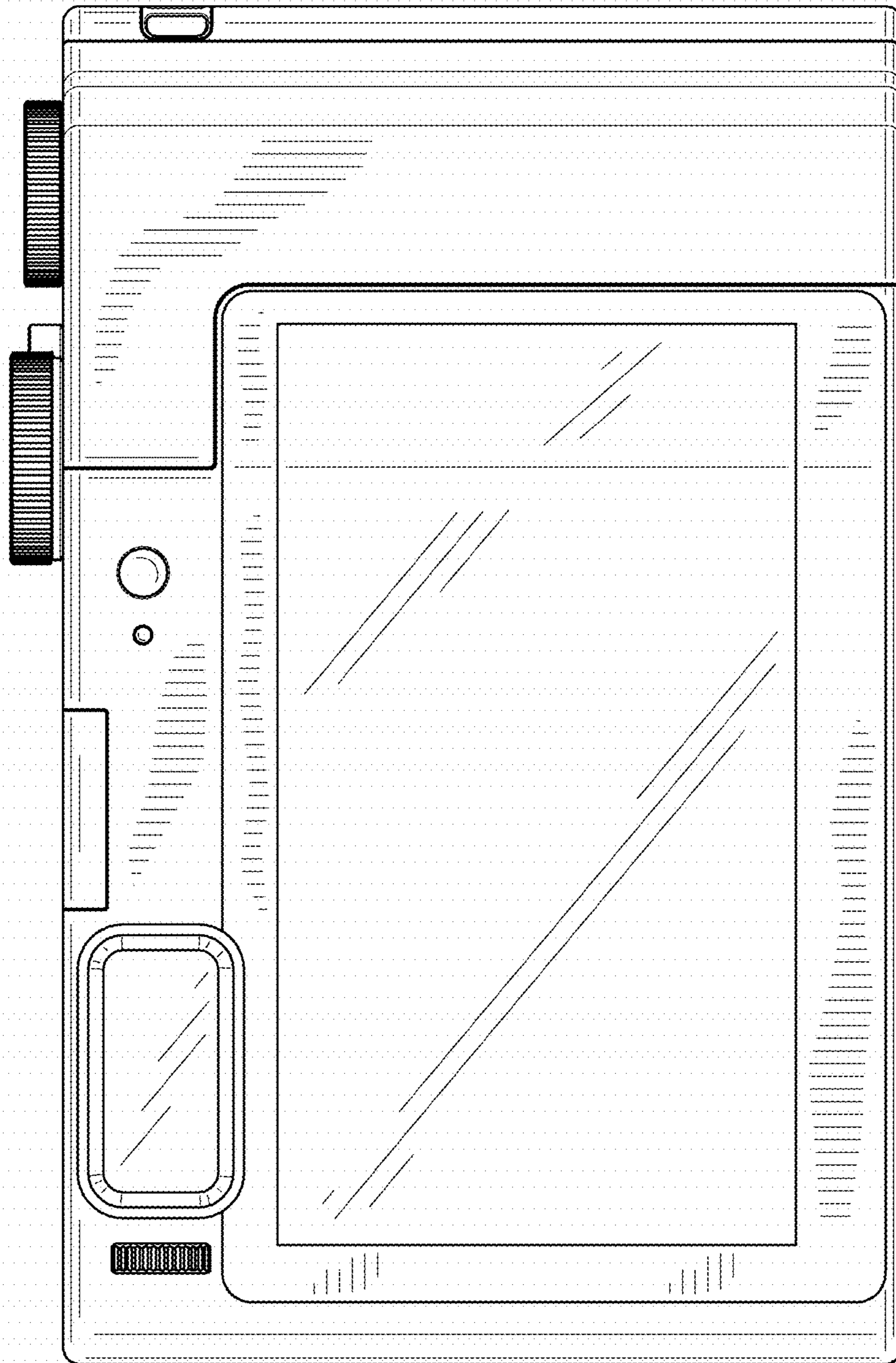


FIG. 5

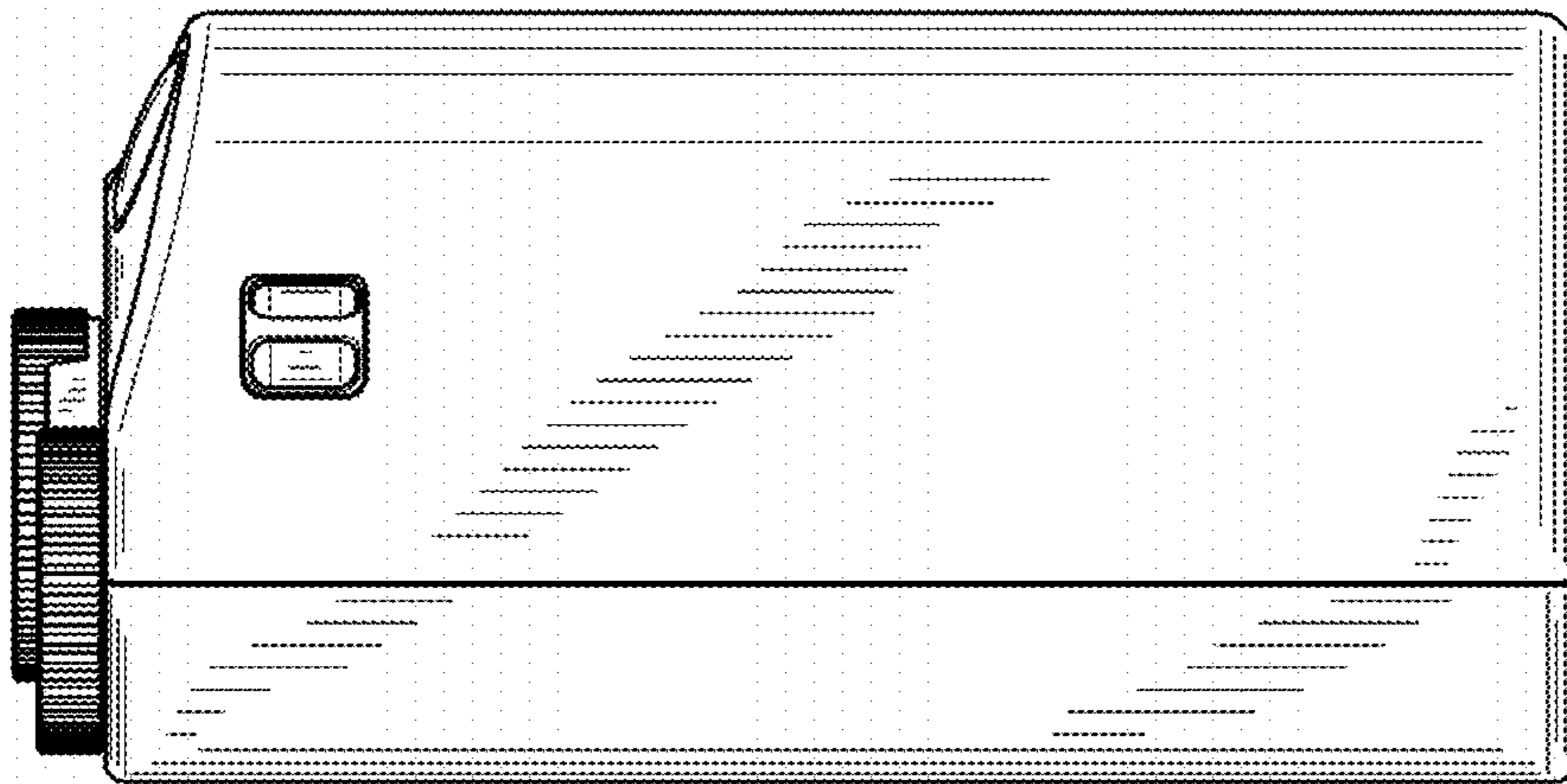


FIG. 6

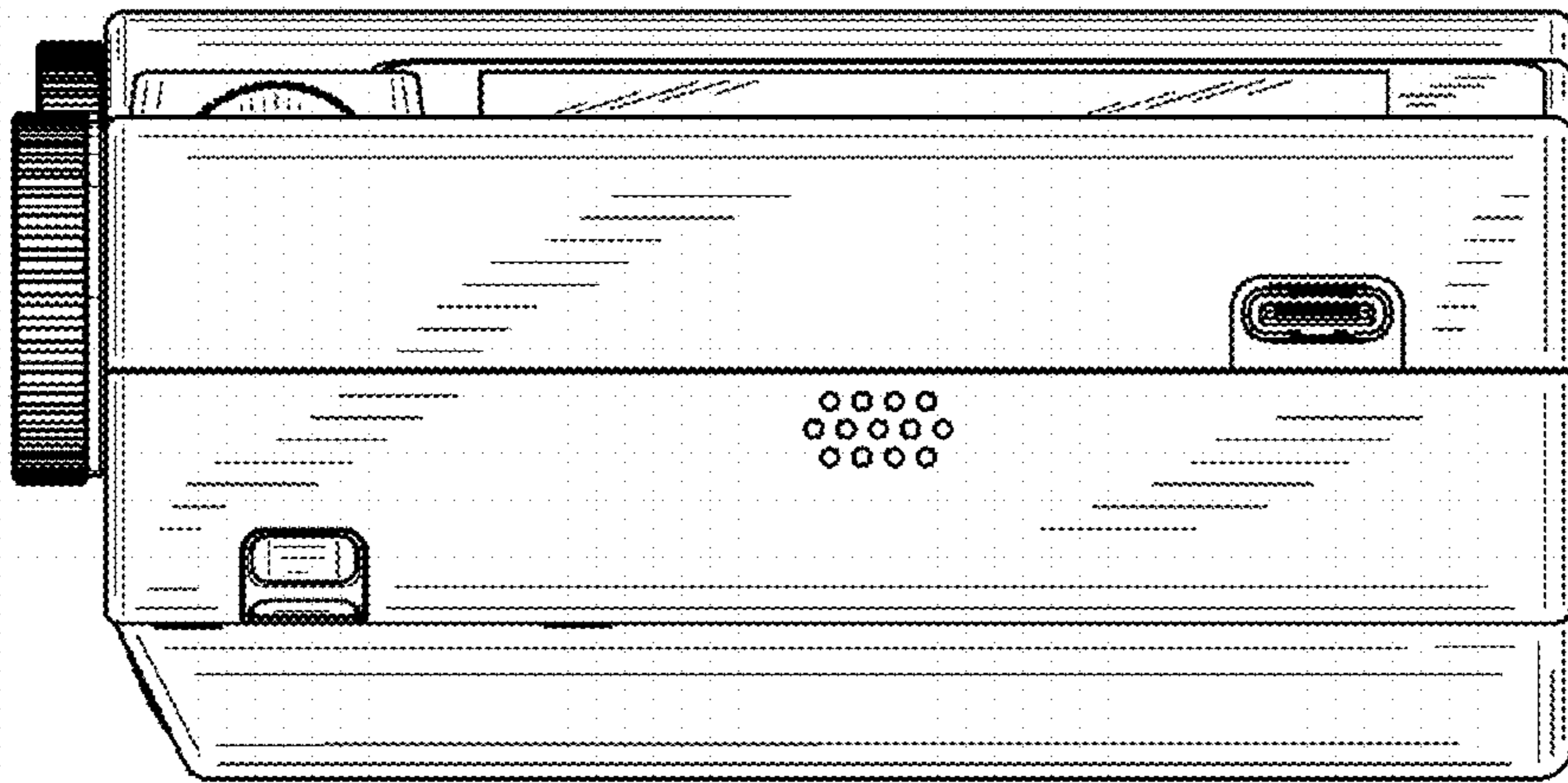


FIG. 7

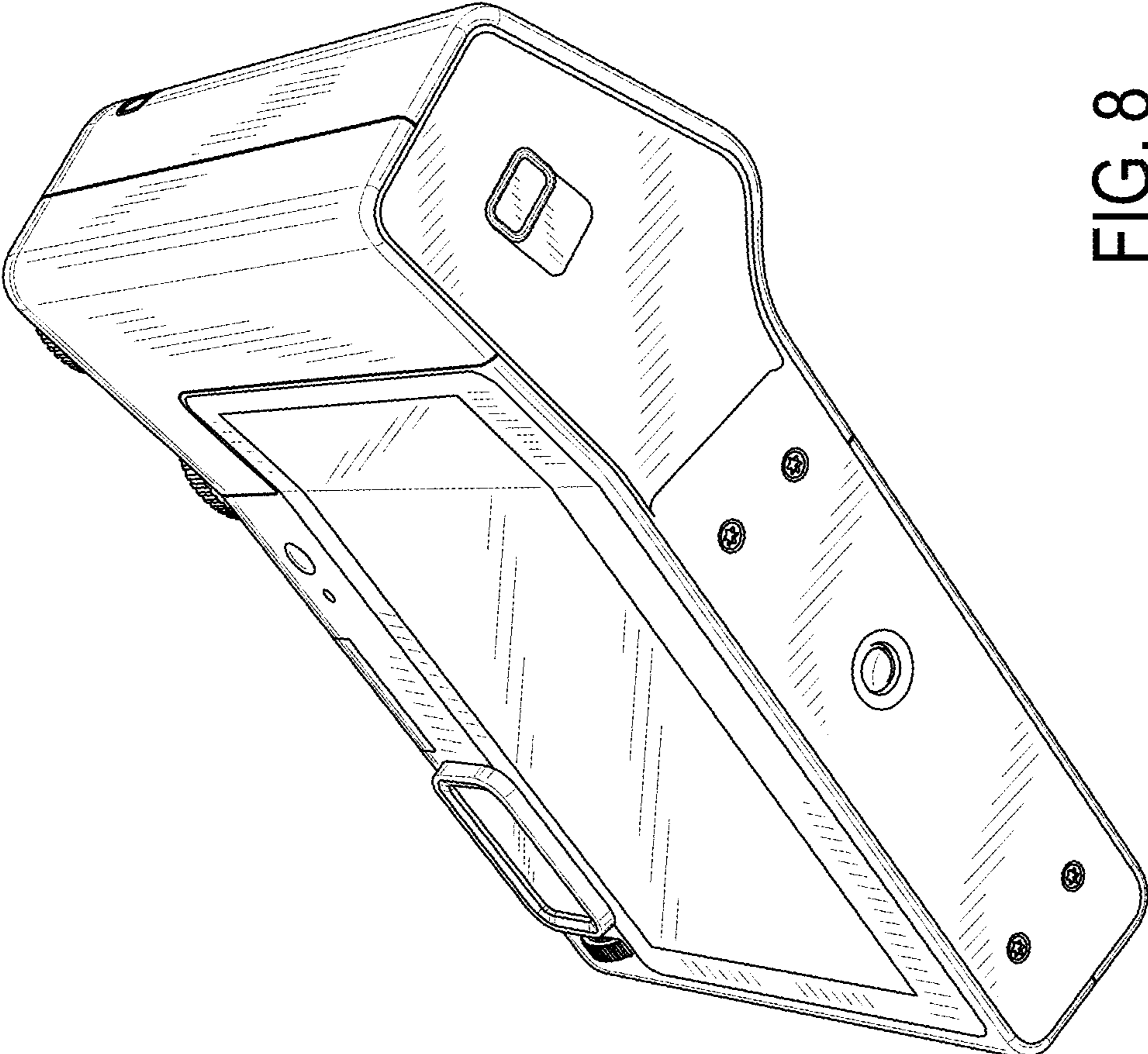


FIG. 8

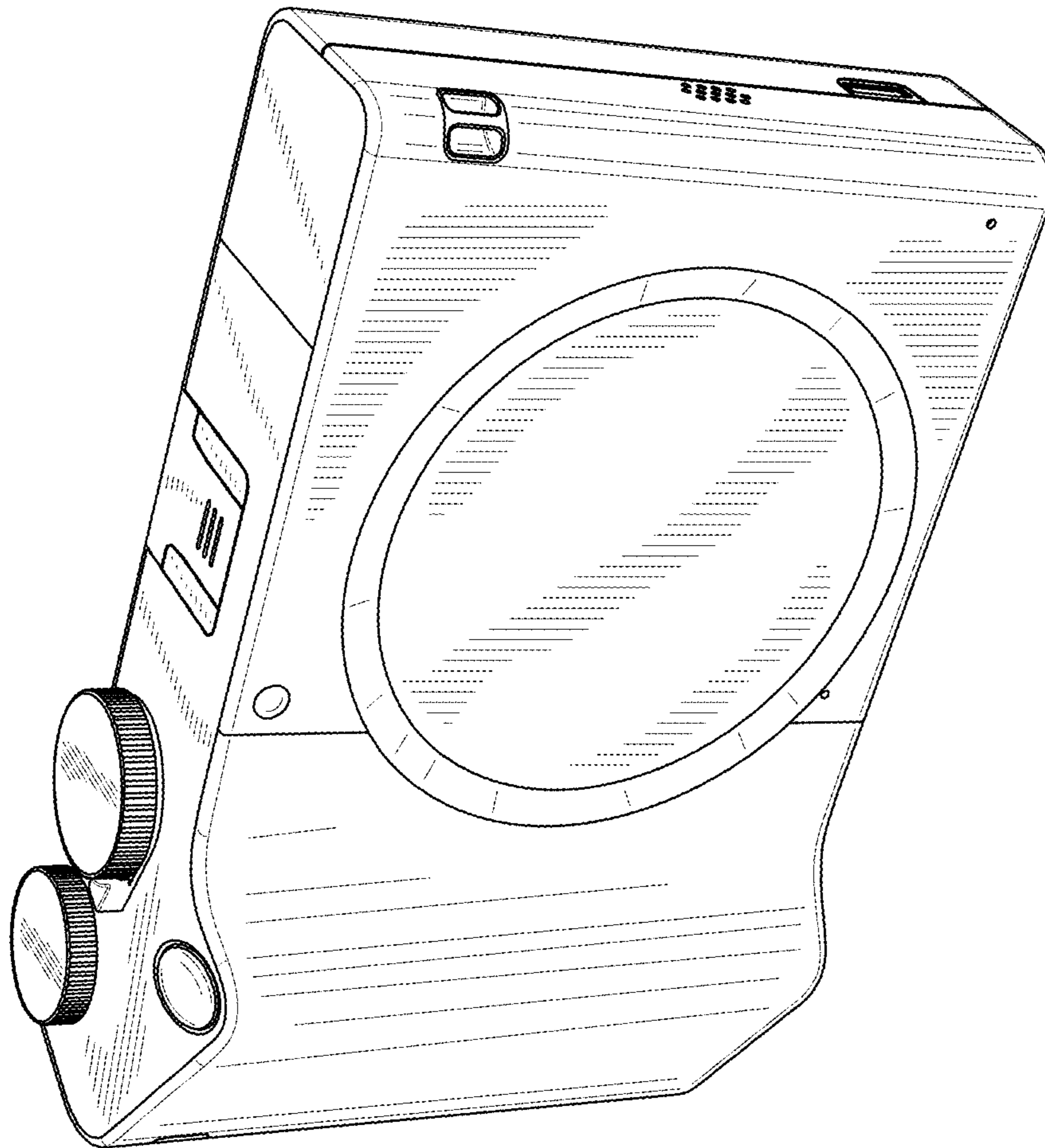


FIG. 9

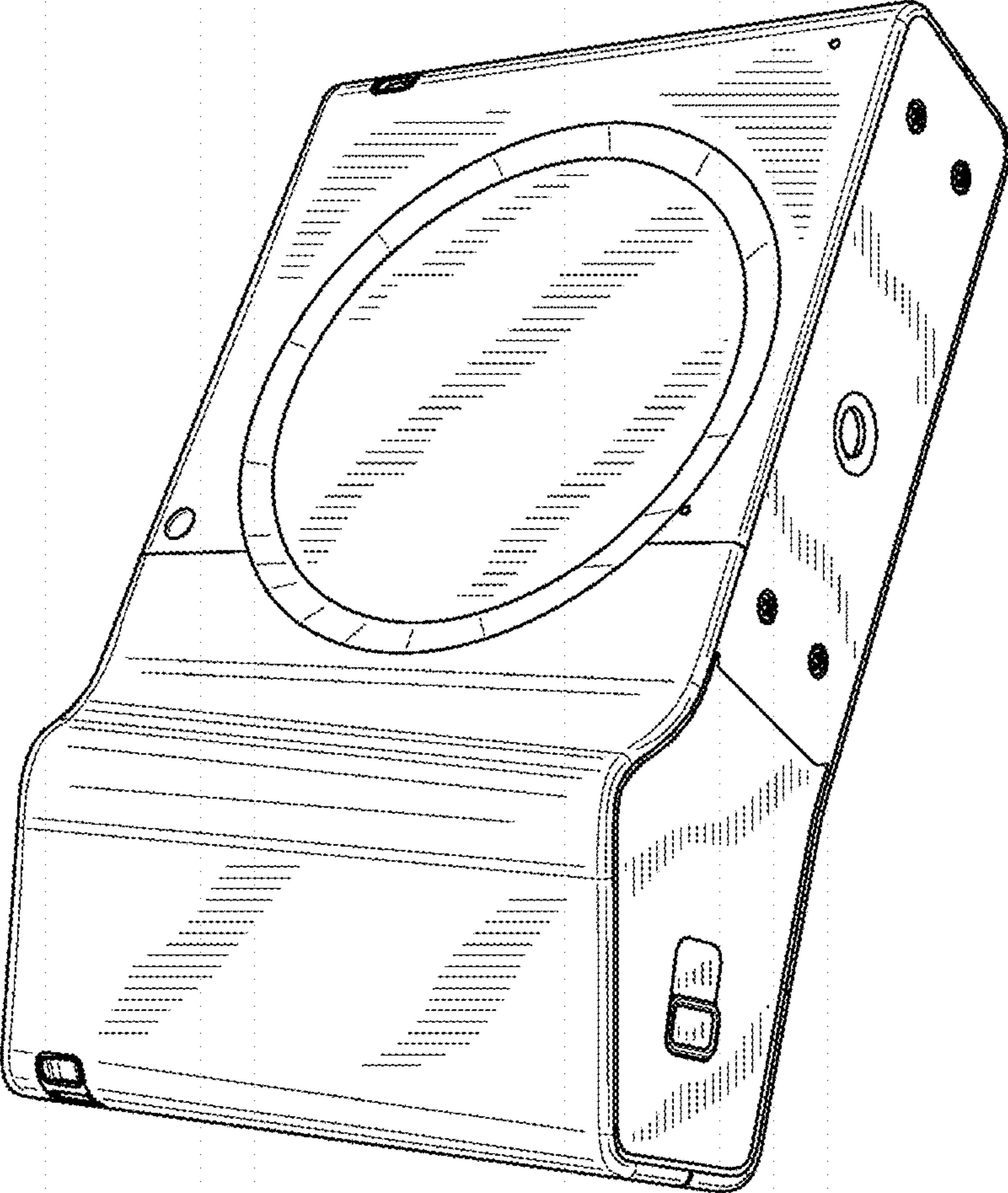


FIG. 10