



US00D859491S

(12) **United States Design Patent**
Khubani et al.

(10) **Patent No.:** **US D859,491 S**

(45) **Date of Patent:** **** Sep. 10, 2019**

(54) **BINOCULARS**

(71) Applicant: **DaVinci II CSJ, LLC**, Fairfield, NJ
(US)

(72) Inventors: **Ajit Khubani**, Saddle River, NJ (US);
Damian Mucaro, Hackensack, NJ (US)

(73) Assignee: **DaVinci II CSJ, LLC**, Fairfield, NJ
(US)

(**) Term: **15 Years**

(21) Appl. No.: **29/646,983**

(22) Filed: **May 8, 2018**

(51) **LOC (12) Cl.** **16-06**

(52) **U.S. Cl.**
USPC **D16/133**

(58) **Field of Classification Search**
USPC D16/130, 133, 136, 237, 202, 208, 218;
D14/168
CPC G02B 23/00; G02B 23/18
See application file for complete search history.

(56) **References Cited**

U.S. PATENT DOCUMENTS

D396,480 S *	7/1998	Kung	D16/133
D488,178 S *	4/2004	Huang	D16/133
D502,201 S *	2/2005	Hines	D16/133
D504,144 S *	4/2005	Lee	D16/133
D506,486 S *	6/2005	Kuo	D16/133
D509,839 S *	9/2005	Hoshi	D16/133

D513,620 S *	1/2006	Kuo	D16/133
D520,042 S *	5/2006	Kimura	D16/133
D538,317 S *	3/2007	Mullett	D16/133
D567,274 S *	4/2008	Zhou	D16/133
D597,113 S *	7/2009	Steiner	D16/133
D604,754 S *	11/2009	Messner	D16/133
D651,629 S	1/2012	Carley et al.		
8,132,669 B1	3/2012	Stubel		
D693,867 S *	11/2013	Radau	D16/133
8,659,757 B2	2/2014	Hyers		
2012/0206799 A1	8/2012	Riley et al.		

* cited by examiner

Primary Examiner — Holly E Thurman

(74) *Attorney, Agent, or Firm* — Cooper & Dunahm, LLP

(57) **CLAIM**

The ornamental design for binoculars, as shown and described.

DESCRIPTION

FIG. 1 is a top perspective view of binoculars in accordance with the present design;

FIG. 2 is a bottom perspective view thereof;

FIG. 3 is a front view thereof;

FIG. 4 is a back view thereof;

FIG. 5 is a right side view thereof;

FIG. 6 is a left side view thereof;

FIG. 7 is a top view thereof; and,

FIG. 8 is a bottom view thereof.

The shade lines represent claimed contours. The broken lines depict portions of the binoculars that form no part of the claimed design.

1 Claim, 6 Drawing Sheets

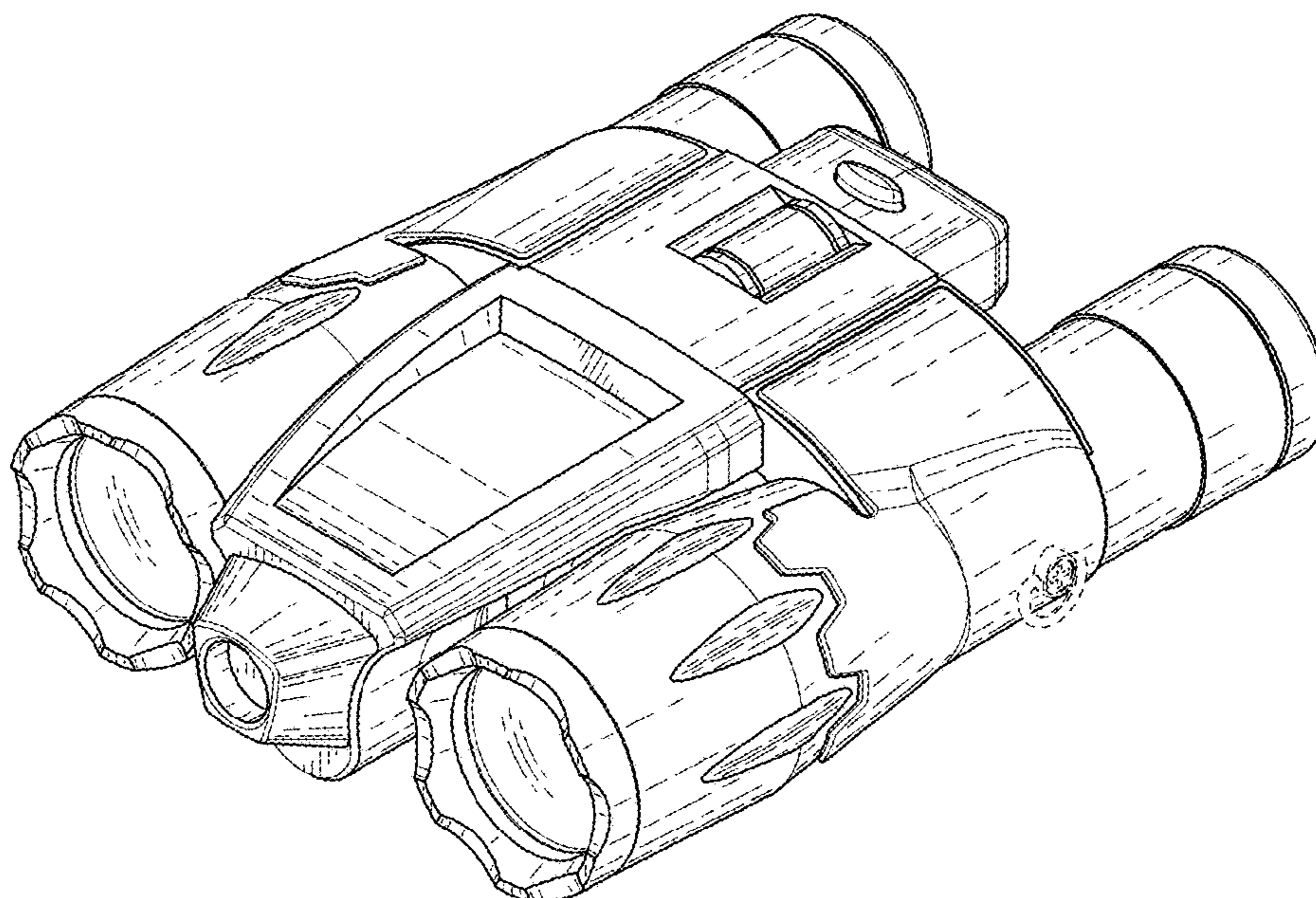


FIG. 1

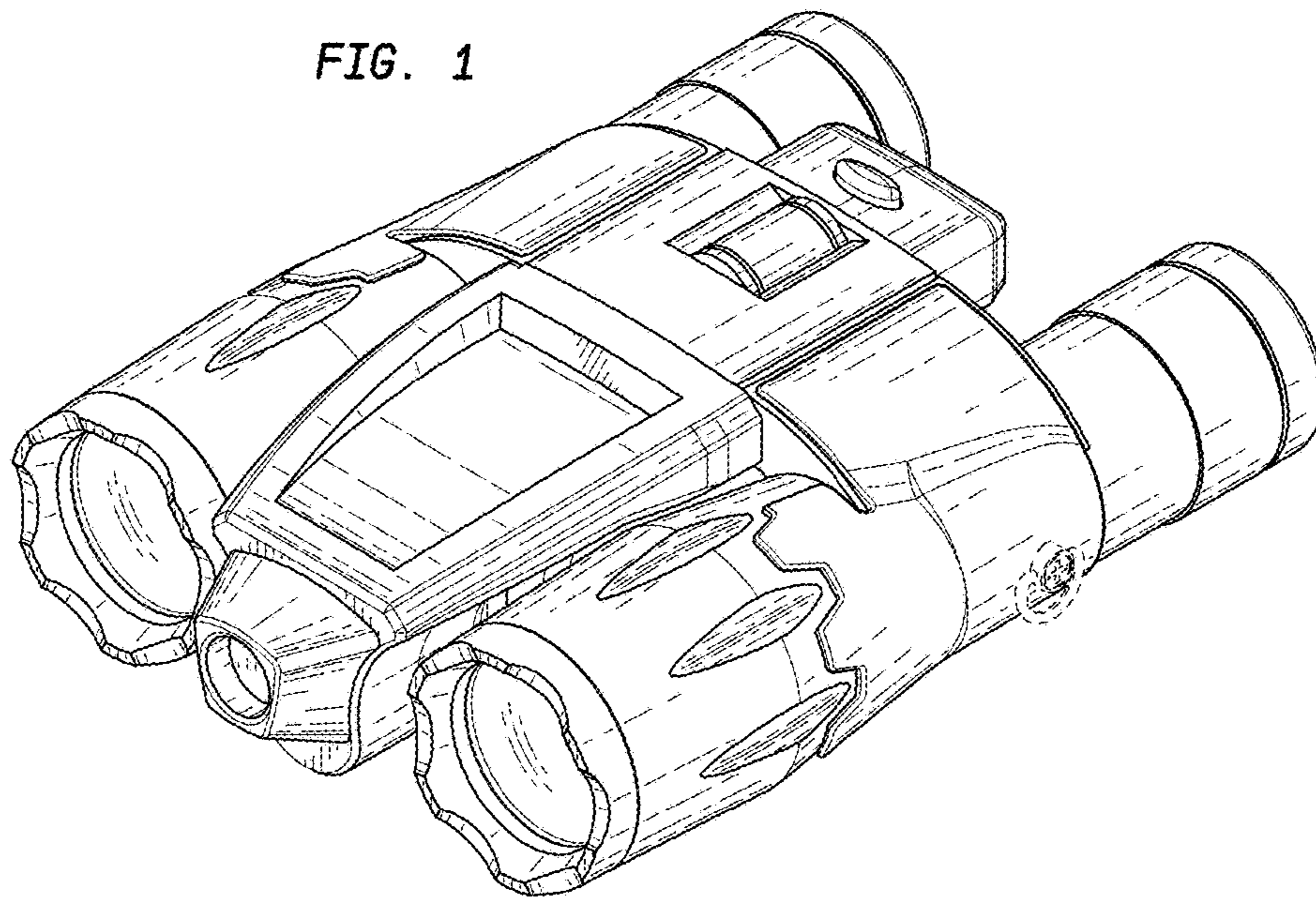


FIG. 2

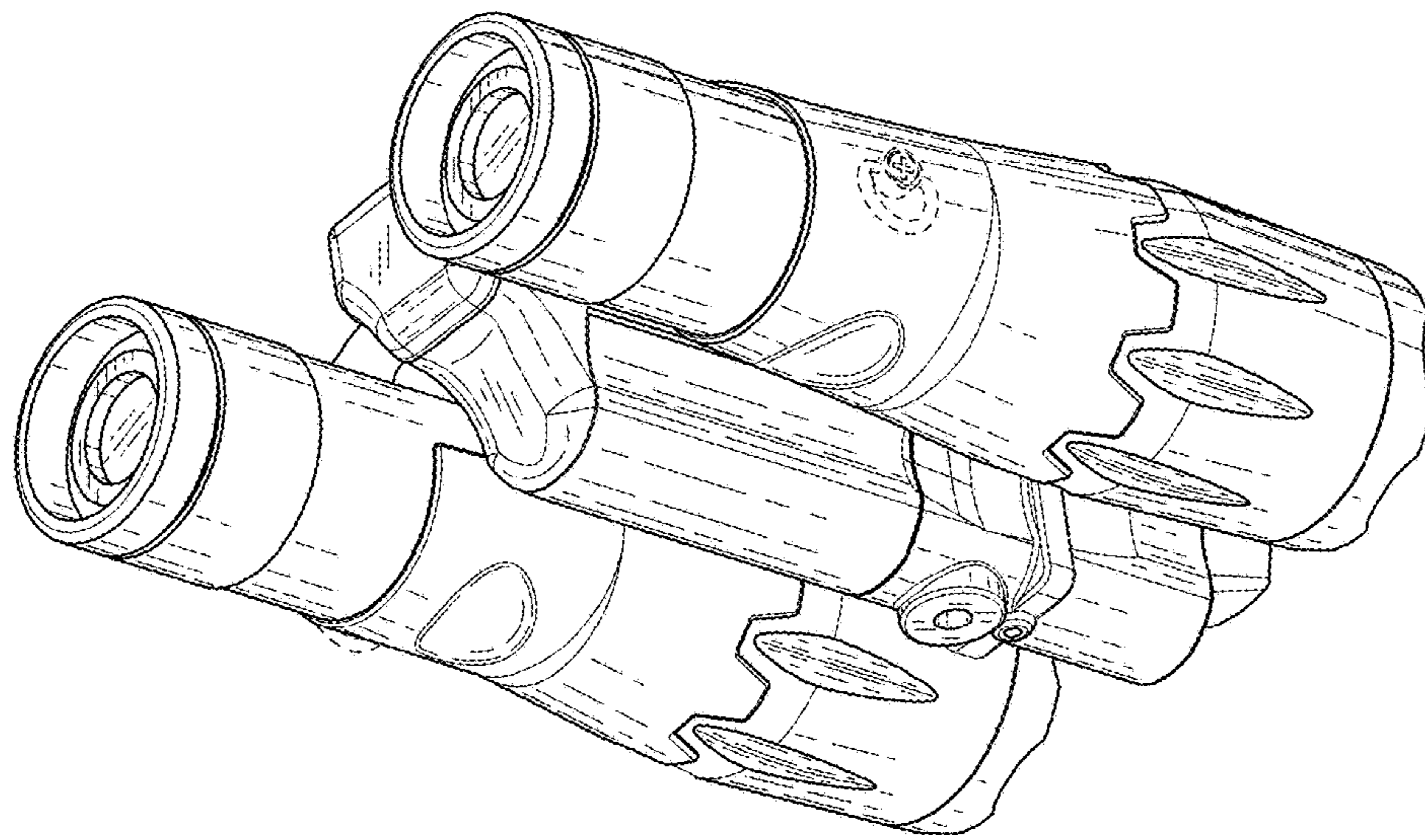


FIG. 3

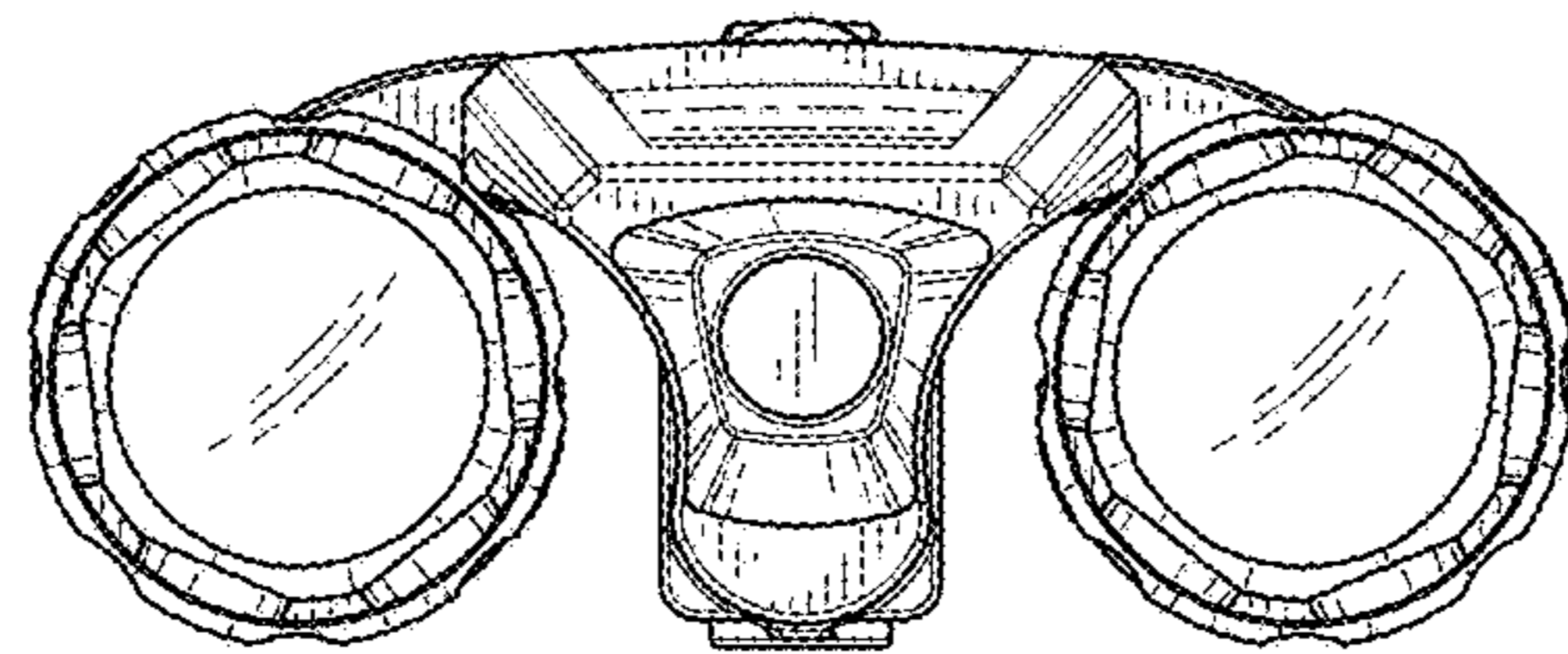


FIG. 4

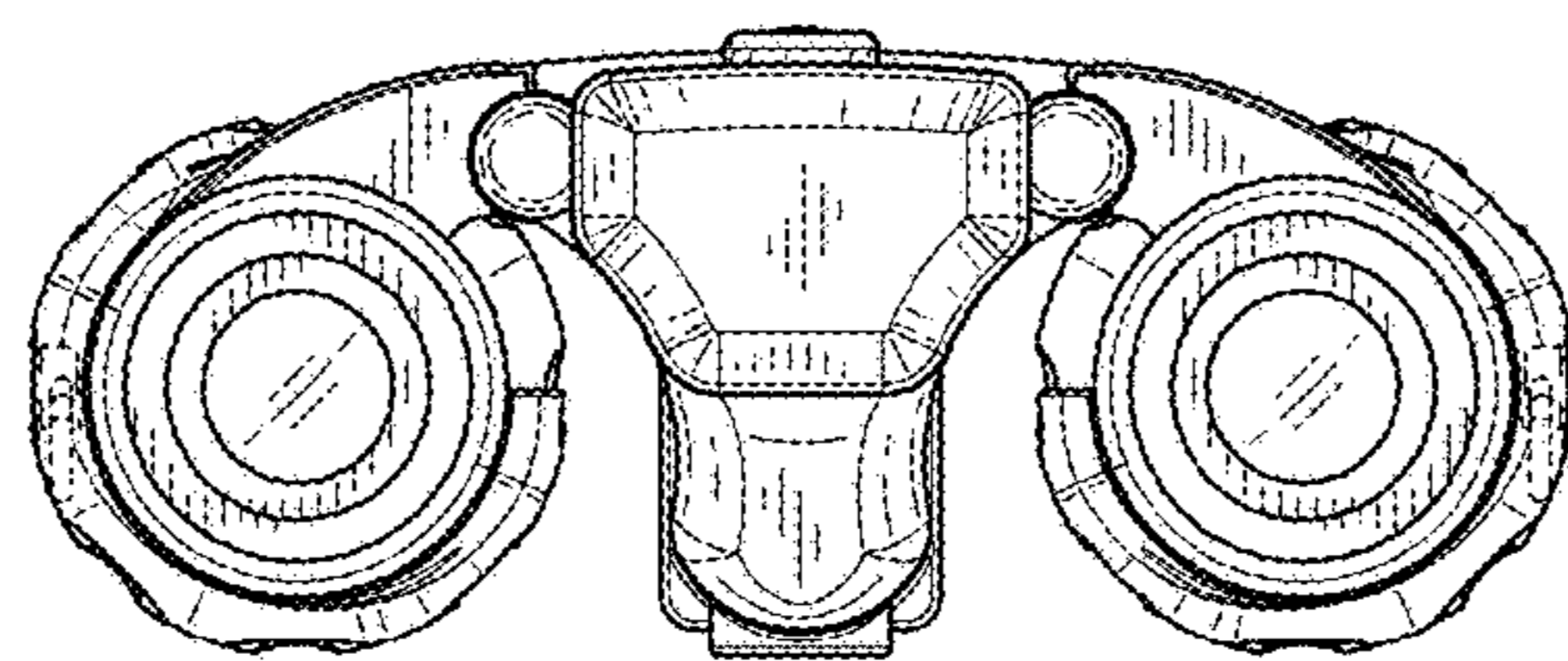


FIG. 5

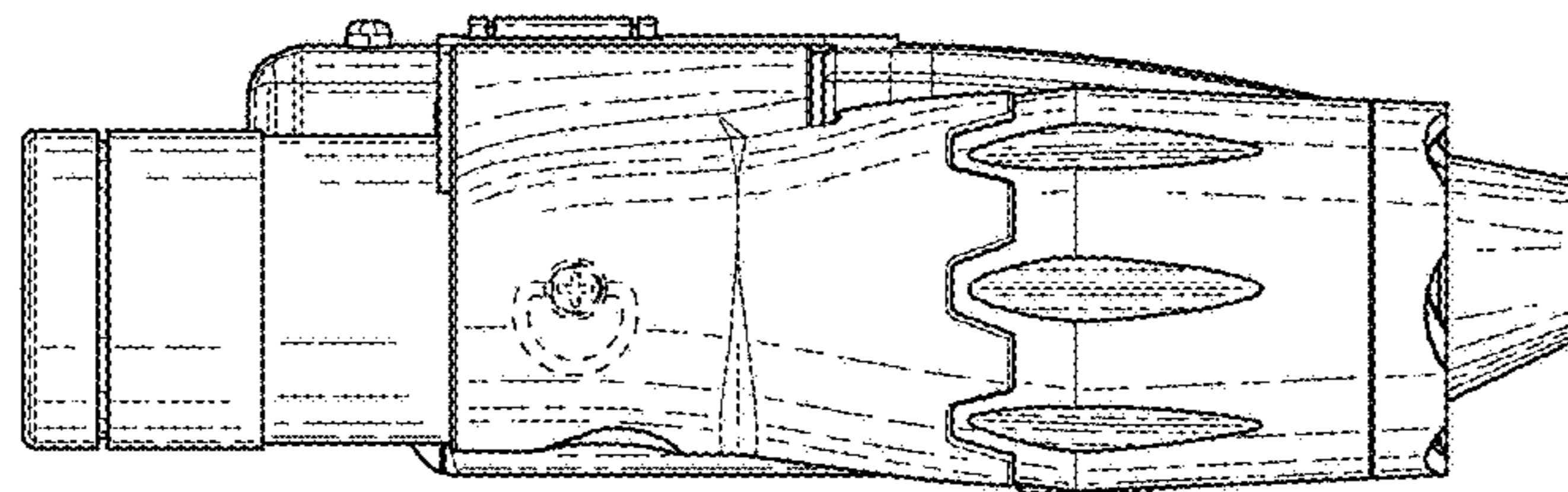


FIG. 6

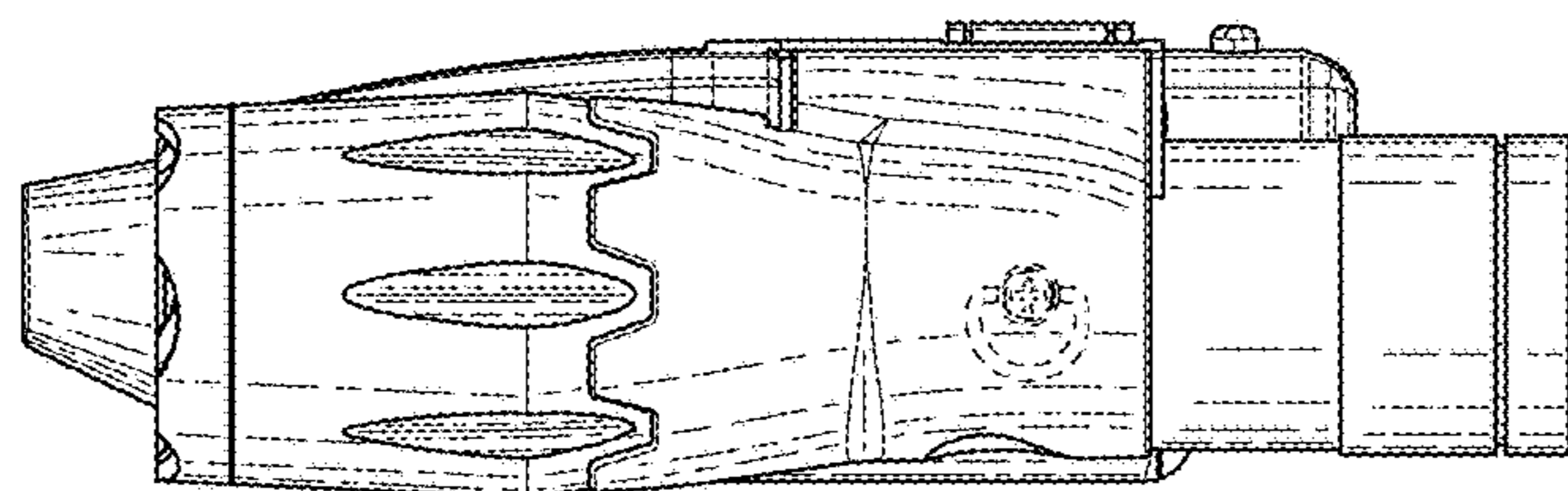


FIG. 7

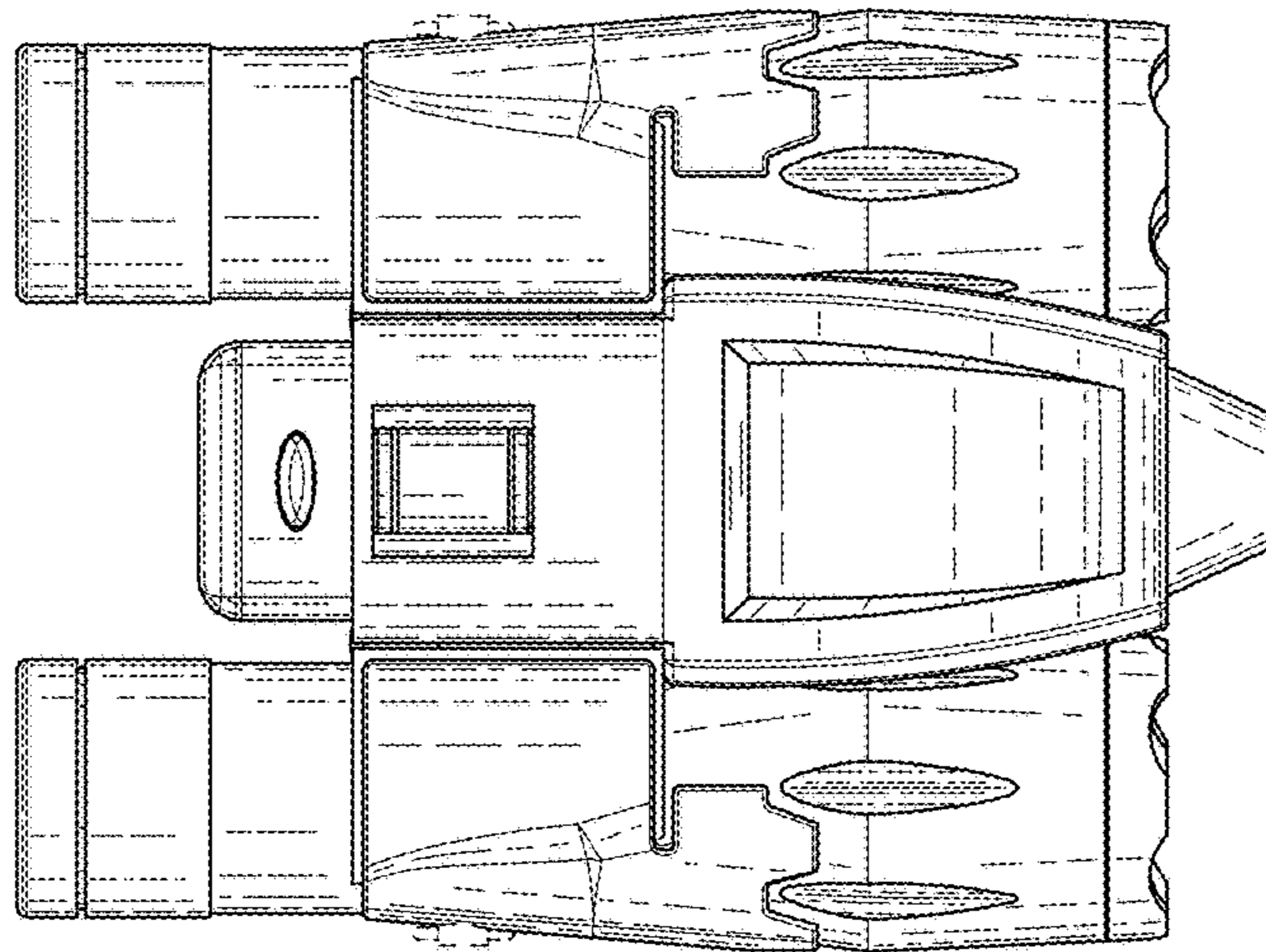


FIG. 8

