



US00D859490S

(12) **United States Design Patent** (10) **Patent No.:** **US D859,490 S**
Proell et al. (45) **Date of Patent:** **** Sep. 10, 2019**

- (54) **PORTION OF A SPYGLASS**
- (71) Applicant: **SWAROVSKI-OPTIK KG., Absam (AT)**
- (72) Inventors: **Julian Proell, Linz (AT); Stefan Degn, Altmuenster (AT); Daniel Wilhelm, Linz (AT); Mario Zeppetbauer, Linz (AT)**
- (73) Assignee: **SWAROVSKI-OPTIK KG., Absam (AT)**
- (**) Term: **15 Years**
- (21) Appl. No.: **29/601,019**
- (22) Filed: **Apr. 18, 2017**

Related U.S. Application Data

- (62) Division of application No. 35/500,676, filed on Oct. 29, 2015 (U.S. filing date under 35 U.S.C. 384), and having an international filing date of Oct. 29, 2015, now Pat. No. Des. 809,582.
- (51) **LOC (12) Cl.** **16-06**
- (52) **U.S. Cl.**
USPC **D16/133**
- (58) **Field of Classification Search**
USPC D16/130, 133, 136, 237; 359/404, 407, 359/408, 414, 415, 416, 409, 410, 411, 359/412, 413, 418, 419, 426
CPC G02B 23/00
See application file for complete search history.

(56) **References Cited**

U.S. PATENT DOCUMENTS

- D240,553 S * 7/1976 Huckenbeck D16/136
- D241,165 S 8/1976 Huckenbeck

- D412,177 S * 7/1999 Fujii D16/133
- D423,537 S * 4/2000 Lee D16/133
- D473,884 S * 4/2003 Hayamizu D16/133
- D478,340 S * 8/2003 Hayamizu D16/133
- D478,341 S * 8/2003 Hayamizu D16/133
- D528,139 S * 9/2006 Hwa D16/133
- D567,275 S * 4/2008 Hayamizu D16/133
- D579,472 S 10/2008 Yanagisawa
- D590,855 S 4/2009 Watanabe
- D621,431 S 8/2010 Hoelbl
- D646,311 S 10/2011 Hoelbl
- D693,867 S 11/2013 Radau et al.
- D700,643 S 3/2014 Yokoi
- D719,201 S 12/2014 Marsiglia
- D727,384 S 4/2015 Jaeschke
- D748,177 S 1/2016 Radau
- D841,072 S * 2/2019 Proll D16/133
- 2016/0341949 A1 * 11/2016 Heinrich G01C 3/04

* cited by examiner

Primary Examiner — Holly E Thurman

(74) *Attorney, Agent, or Firm* — Collard & Roe, P.C.

(57) **CLAIM**

The ornamental design for a portion of a spyglass, as shown and described.

DESCRIPTION

FIG. 1 is a front, side and top perspective view of a first embodiment of a portion of a spyglass, showing our new design;

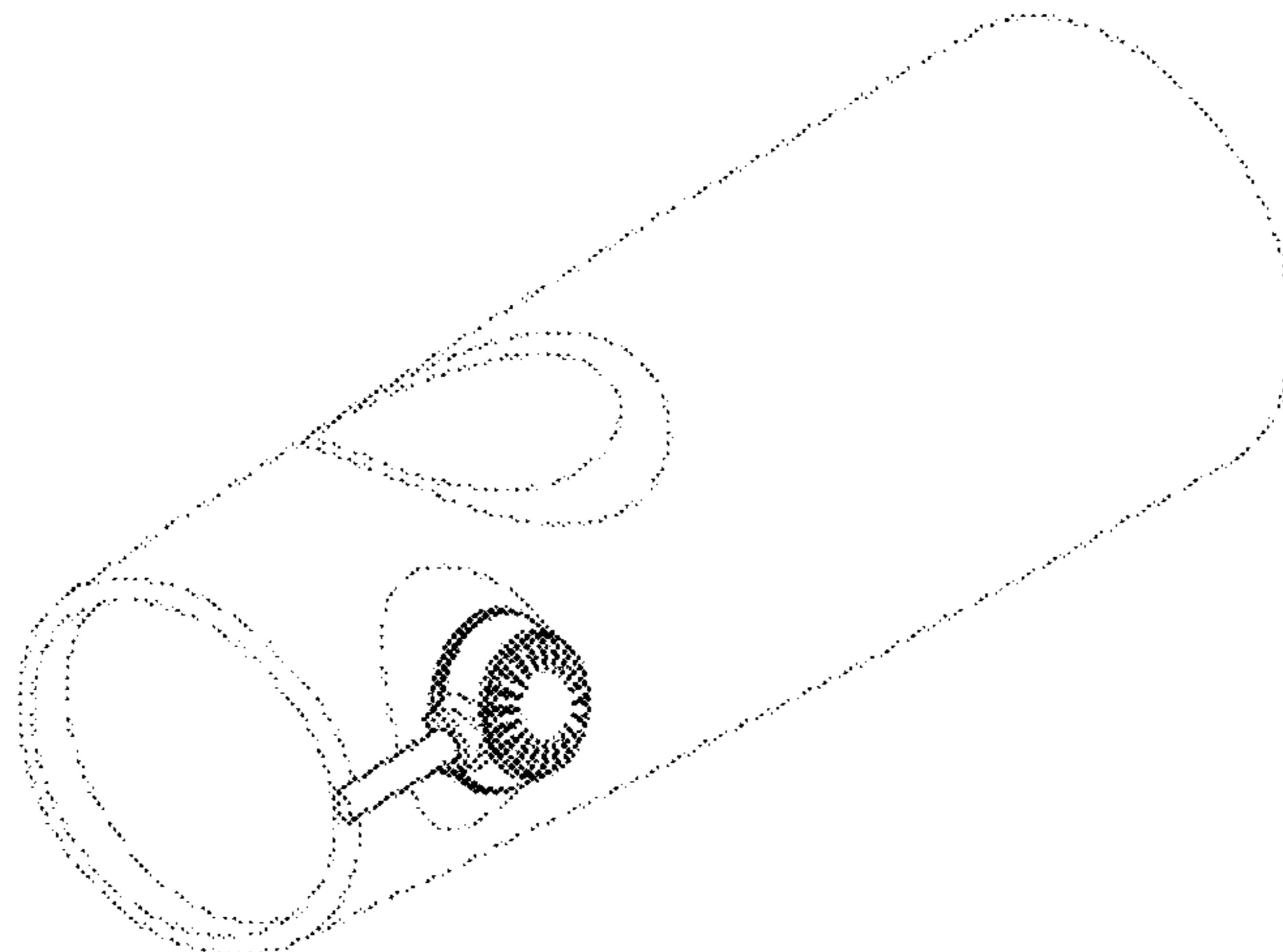
FIG. 2 is a front view of the embodiment of FIG. 1;

FIG. 3 is a front, side and top perspective view of a second embodiment of a portion of a spyglass, showing our new design; and,

FIG. 4 is a front view of the embodiment of FIG. 3.

The features shown in broken lines depict environmental structure and form no part of the claimed design.

1 Claim, 2 Drawing Sheets



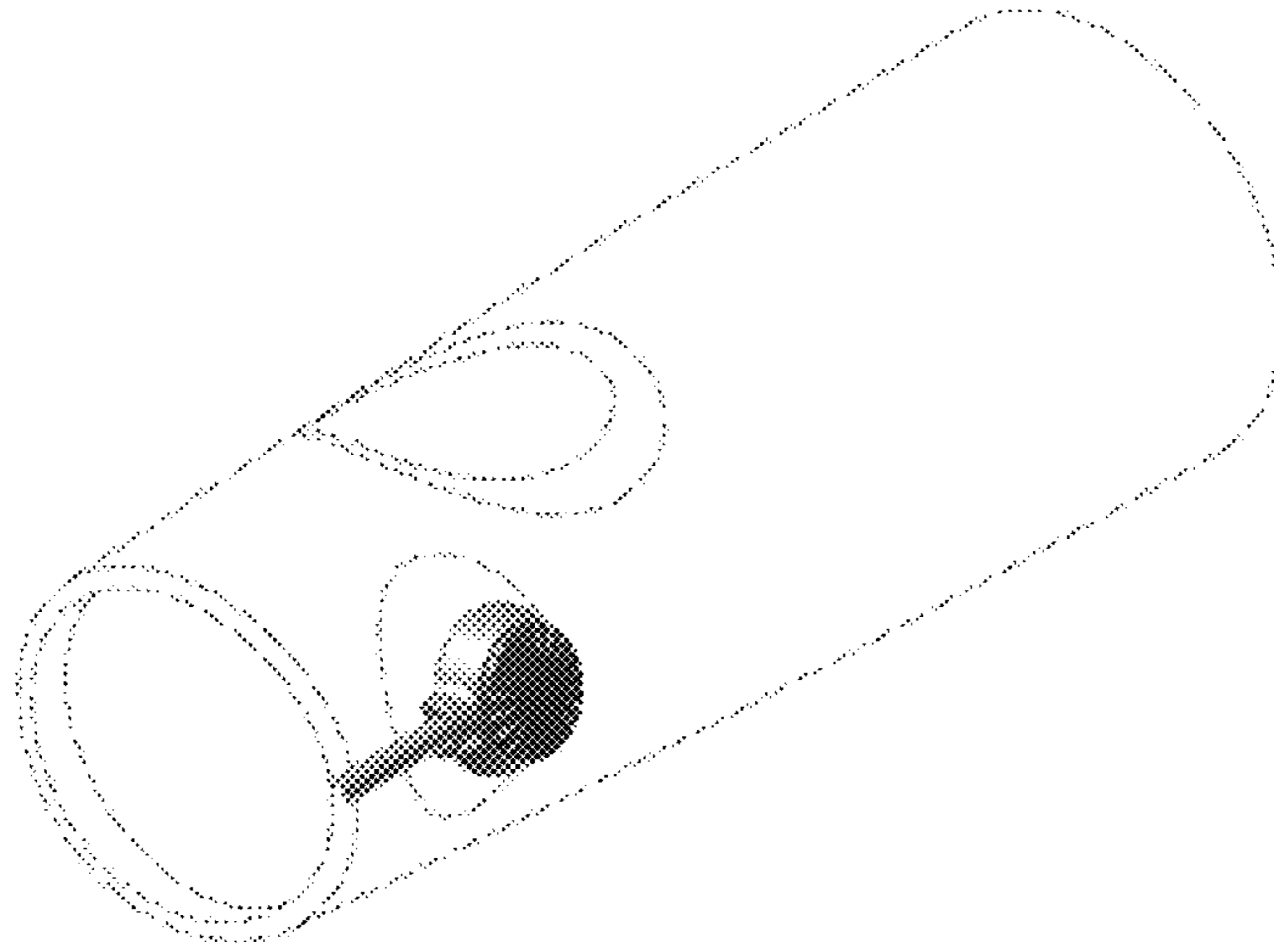


FIG. 1

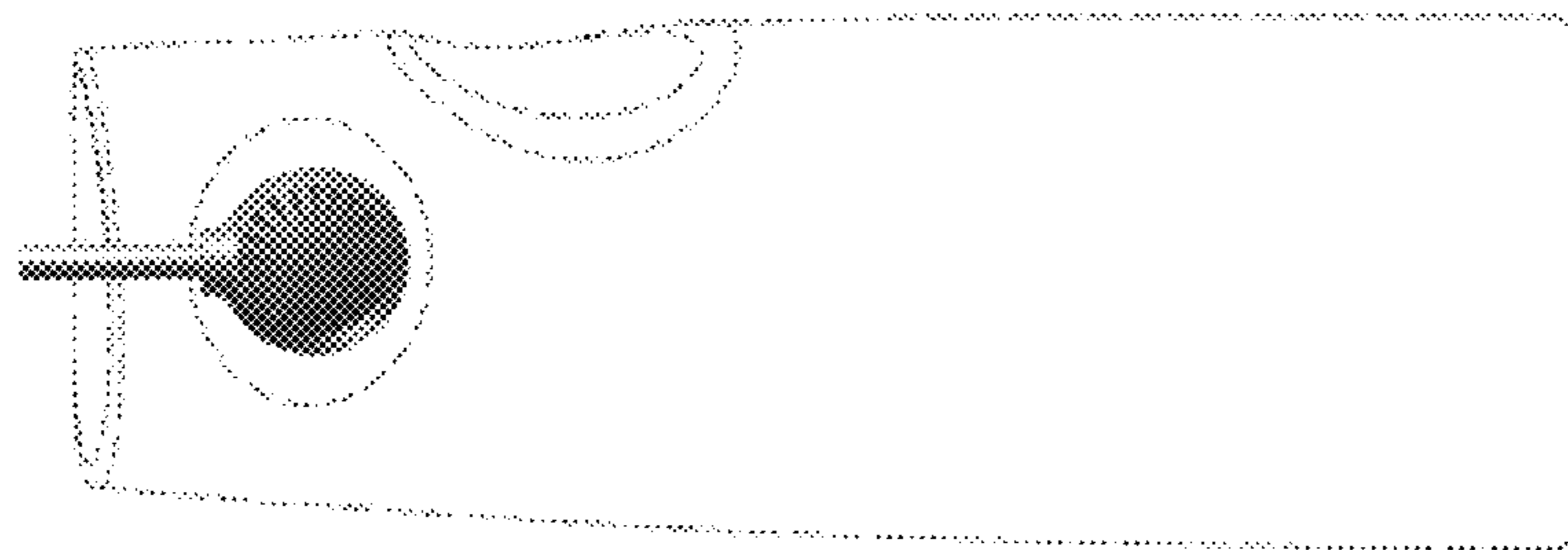


FIG. 2

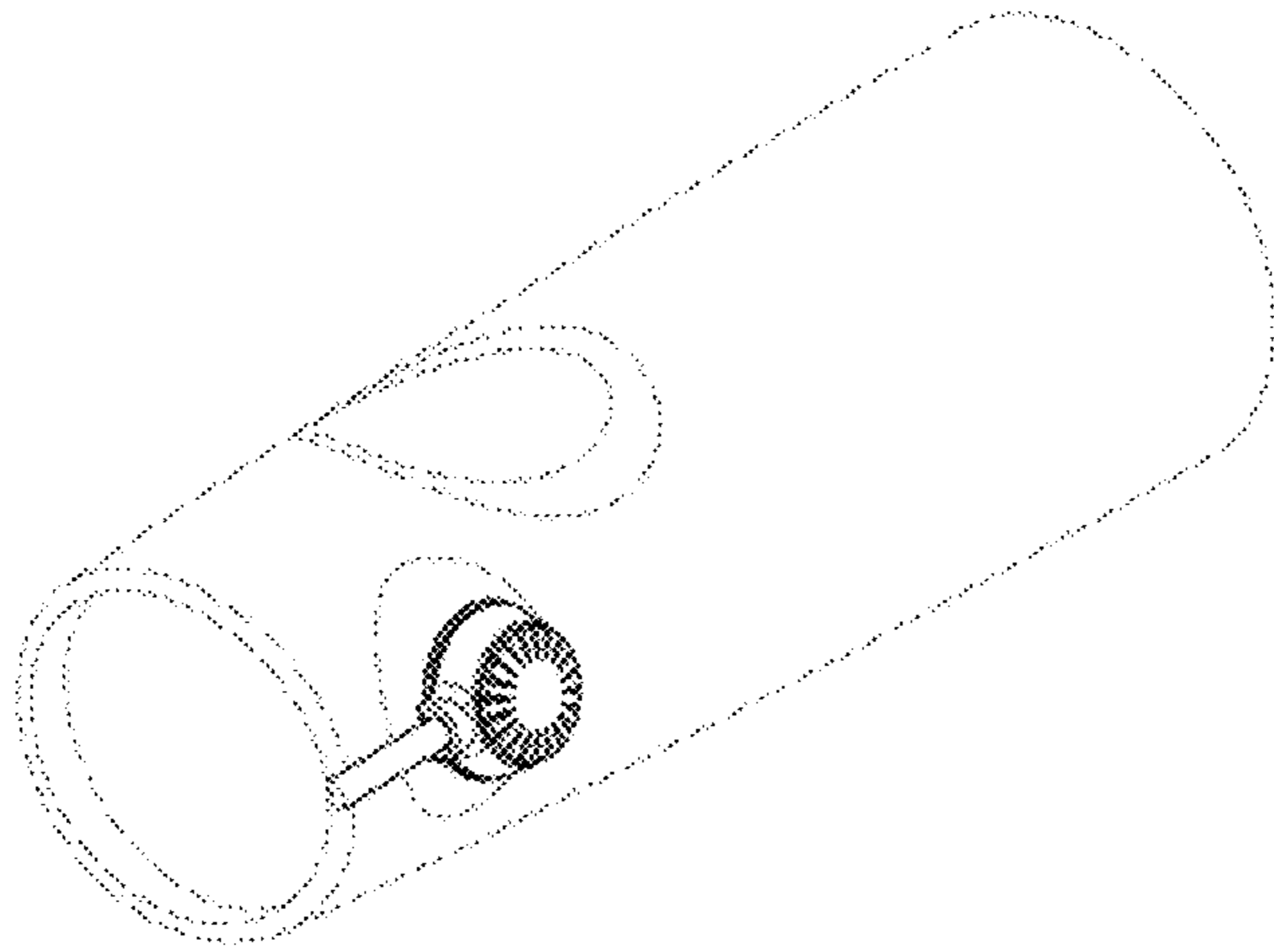


FIG. 3

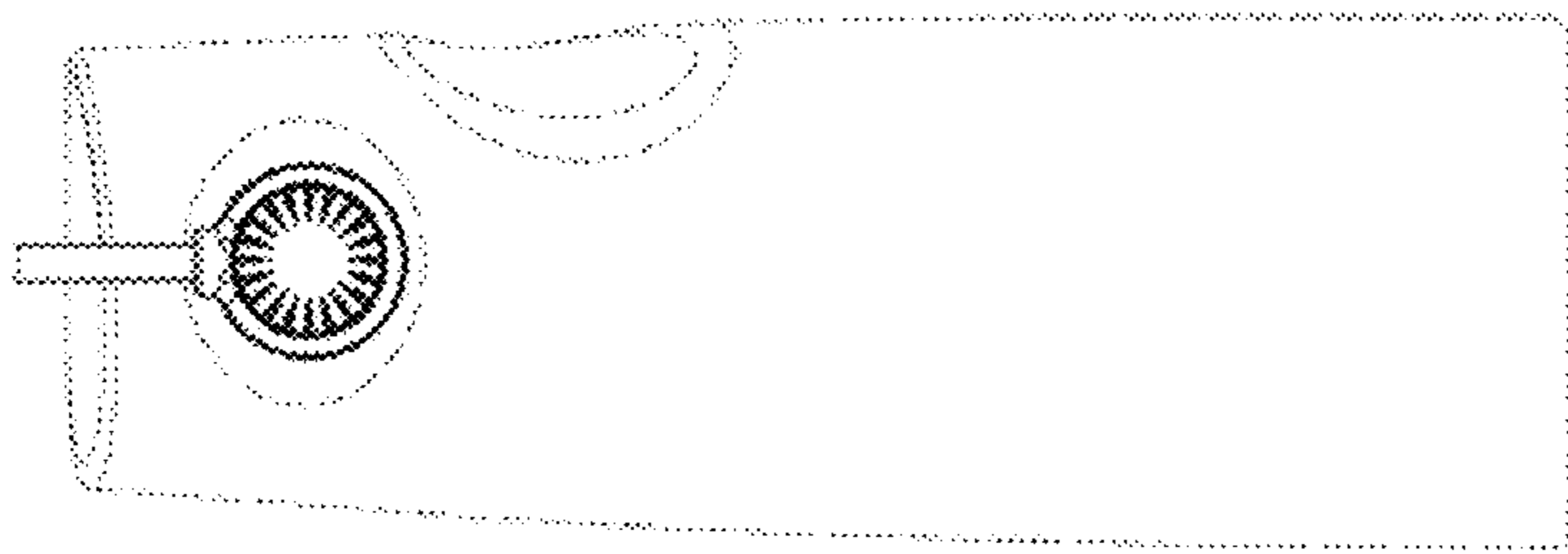


FIG. 4