



US00D859489S

(12) **United States Design Patent** (10) **Patent No.:** **US D859,489 S**
Kobayashi (45) **Date of Patent:** **** Sep. 10, 2019**

(54) **BINOCULARS**
(71) Applicant: **Nikon Vision Co., Ltd.**, Tokyo (JP)
(72) Inventor: **Tatsuya Kobayashi**, Tokyo (JP)
(73) Assignee: **Nikon Vision Co., Ltd.**, Tokyo (JP)

D713,437 S 9/2014 Soejima et al.
8,867,128 B2* 10/2014 Rivkin G02B 23/125
359/409
D748,177 S 1/2016 Radau
D780,243 S 2/2017 Marsiglia
2013/0253820 A1 9/2013 Denk

(**) Term: **15 Years**
(21) Appl. No.: **29/588,669**

FOREIGN PATENT DOCUMENTS
EM 002034298-0002 4/2012
JP 1439518 S 5/2012

(22) Filed: **Dec. 22, 2016**

OTHER PUBLICATIONS

(30) **Foreign Application Priority Data**

Office Action for U.S. Appl. No. 29,588,667, dated Apr. 20, 2018.

Jun. 27, 2016 (JP) 2016-013565

* cited by examiner

(51) **LOC (12) Cl.** **16-06**

Primary Examiner — Mark A Goodwin

(52) **U.S. Cl.**

Assistant Examiner — Benjamin M Weeks

USPC **D16/133**

(74) *Attorney, Agent, or Firm* — Wolf, Greenfield & Sacks, P.C.

(58) **Field of Classification Search**

USPC D16/130, 132, 133, 136; D3/136
CPC G02B 2027/0123; G02B 2027/0132; G02B 7/06; G02B 7/12; G02B 23/00; G02B 23/16; G02B 2027/0134; G02B 27/26; G02B 23/18

(57) **CLAIM**

The ornamental design for binoculars, as shown and described.

See application file for complete search history.

DESCRIPTION

(56) **References Cited**

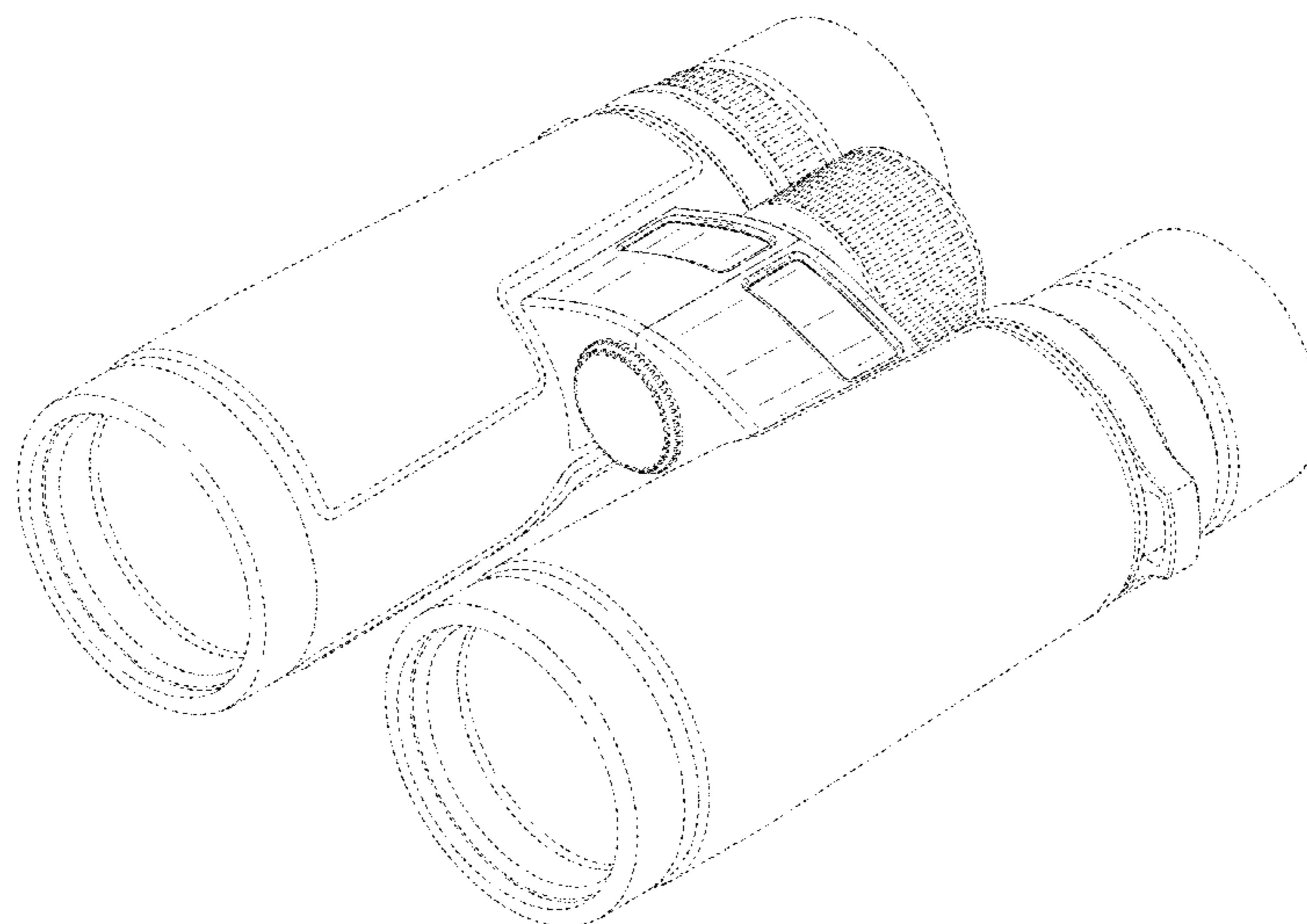
U.S. PATENT DOCUMENTS

D492,335 S 6/2004 Watanabe
D567,275 S 4/2008 Hayamizu
D590,855 S 4/2009 Watanabe
D590,857 S 4/2009 Fujii
D623,676 S 9/2010 Yanagisawa
D646,311 S 10/2011 Hoelbl
D662,119 S 6/2012 Hoshi et al.
8,325,415 B2* 12/2012 Hengst G02B 23/18
359/410
D687,081 S 7/2013 Radau et al.
D700,643 S 3/2014 Yokoi

FIG. 1 is a front, top, and left side perspective view of binoculars showing my new design;
FIG. 2 is a front view thereof;
FIG. 3 is a rear view thereof;
FIG. 4 is a top plan view thereof; and,
FIG. 5 is a right side view thereof.

The features shown in broken lines in the drawings form no part of the claimed design. The dash-dotted lines in the drawings denote the boundary of the claim and form no part of the claimed design. The unshaded areas bounded by broken lines form no part of the claimed design.

1 Claim, 5 Drawing Sheets



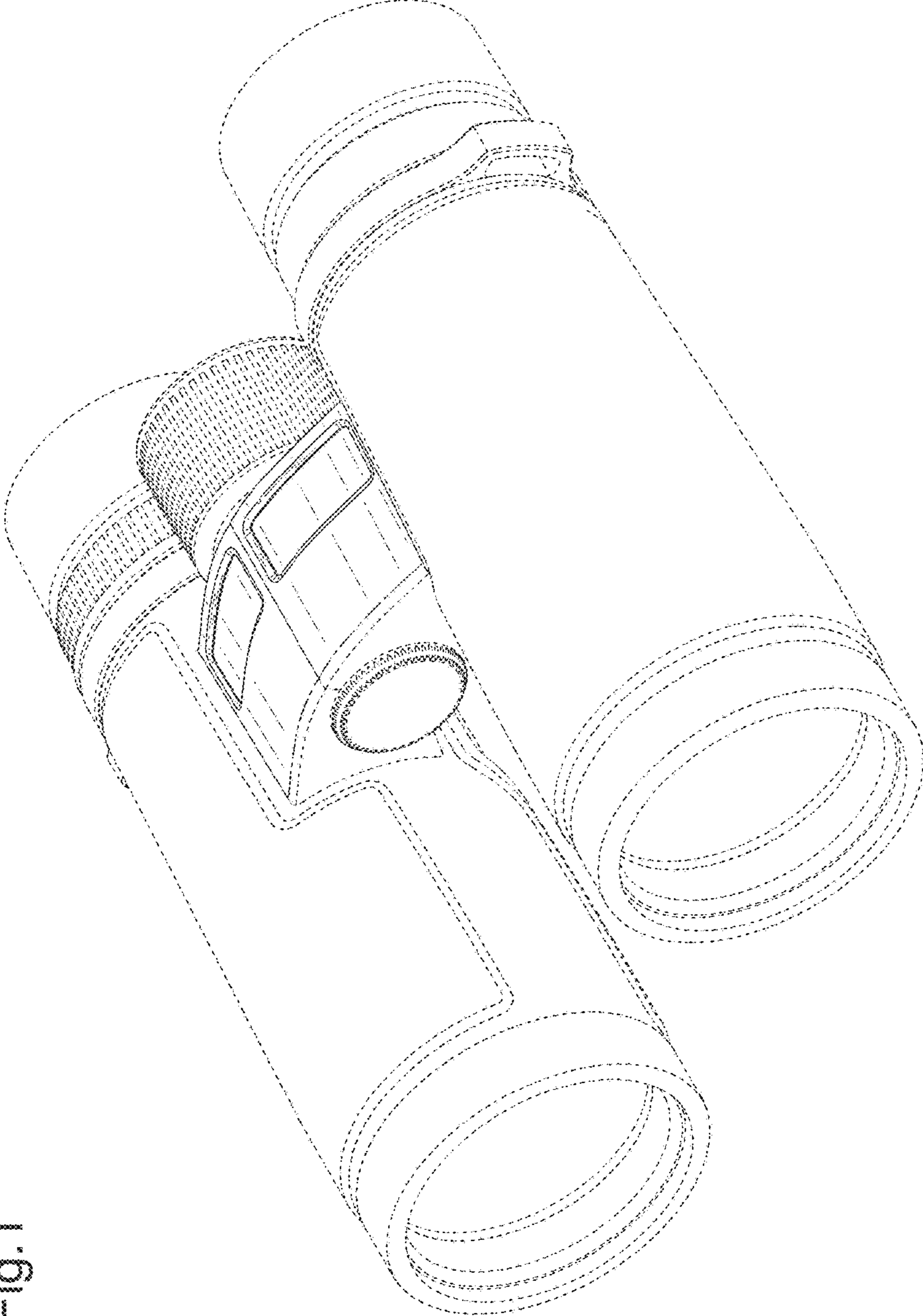


Fig.1

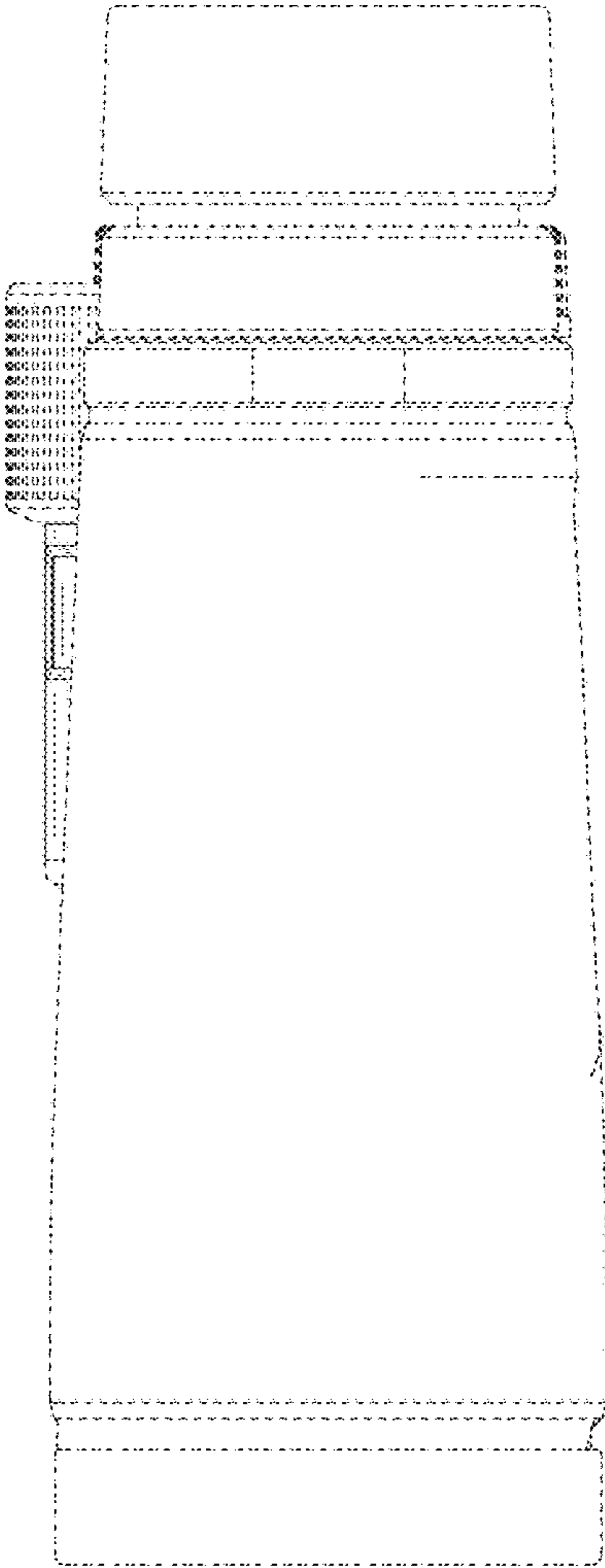


Fig.2

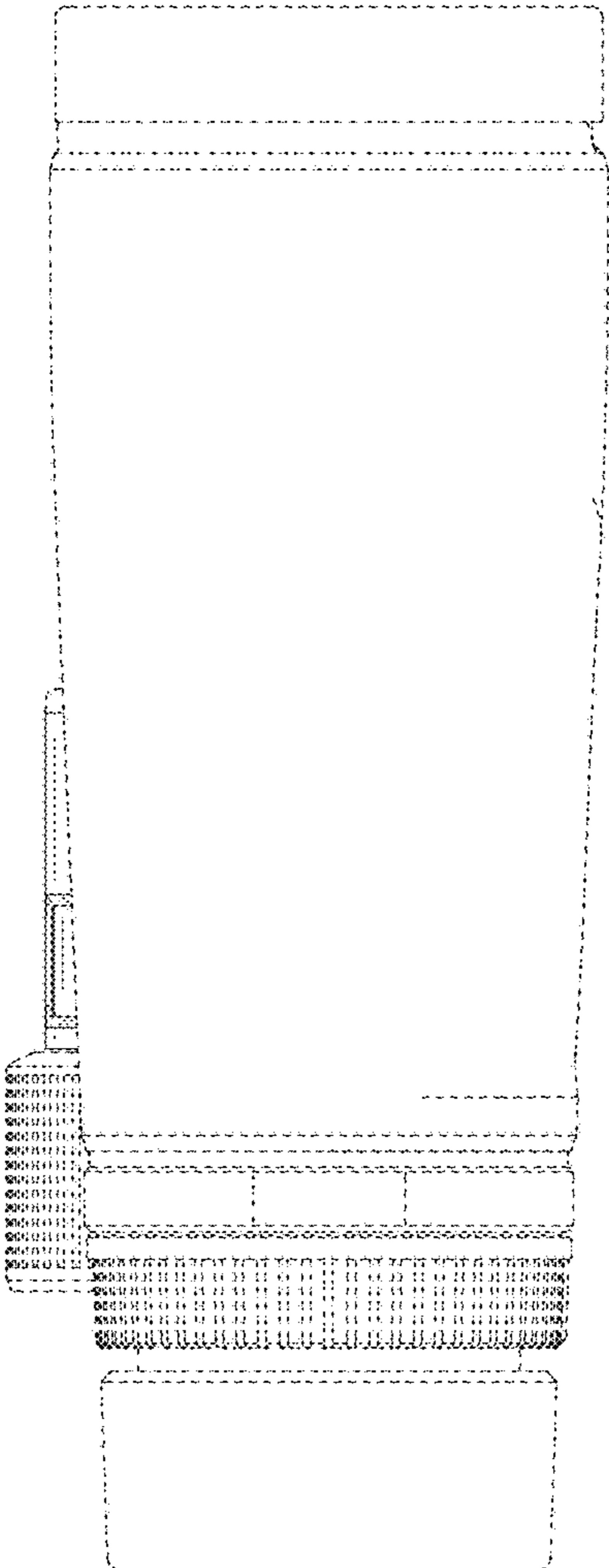


Fig. 3

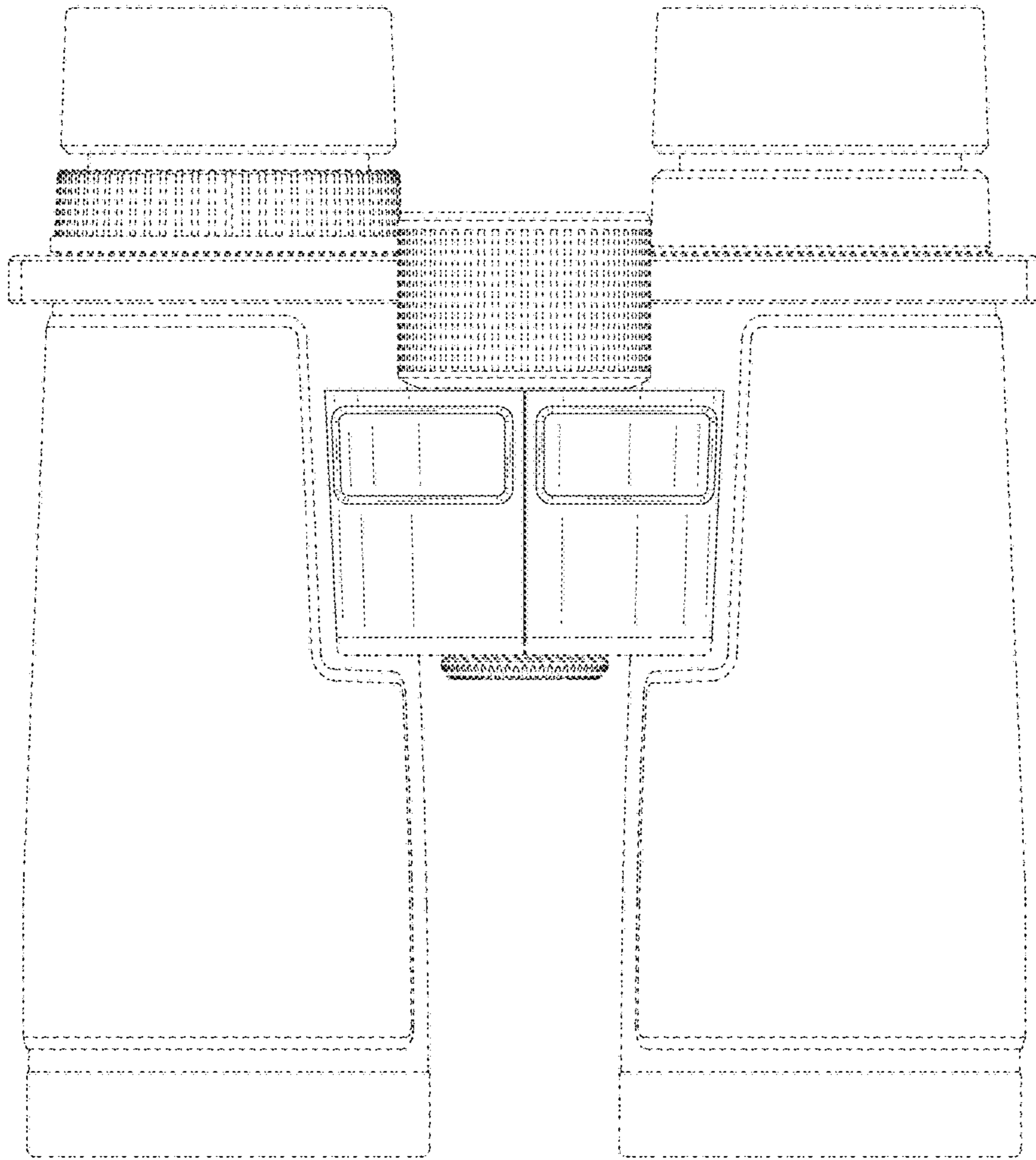


Fig.4

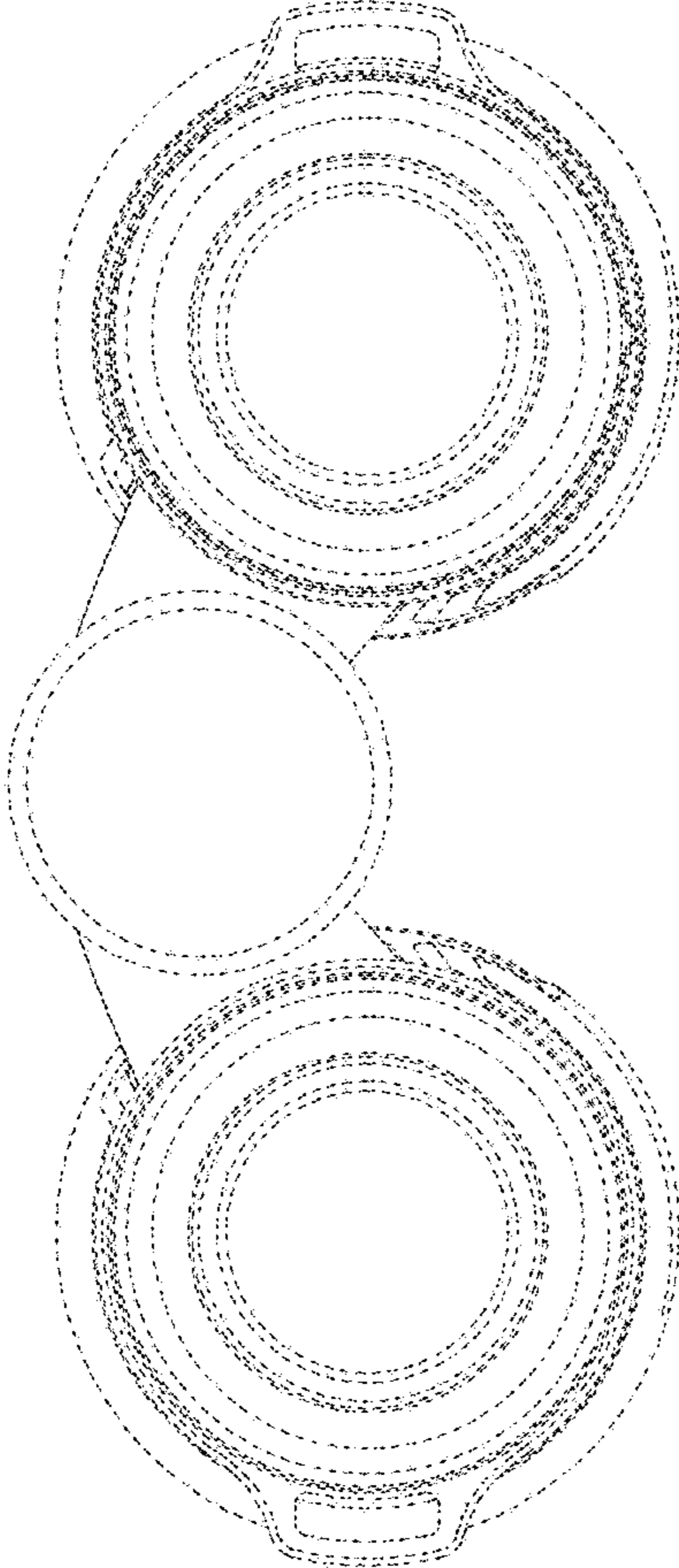


Fig.5