



US00D859488S

(12) **United States Design Patent** (10) **Patent No.:** **US D859,488 S**
Tremblay et al. (45) **Date of Patent:** **** Sep. 10, 2019**

(54) **RINGED MEMBRANE**
(71) Applicant: **Charles River Laboratories, Inc.**,
Wilmington, MA (US)
(72) Inventors: **Jason Tremblay**, Mount Pleasant, SC
(US); **Dana M. Nutter**, Charleston, SC
(US); **Elizabeth Mills**, Charleston, SC
(US); **Luca Nicoli**, Mount Pleasant, SC
(US); **Eric Stimpson**, Mountain View,
CA (US); **Thomas Preidel**, Uslar (DE);
Michael Braun, Bovenden (DE)

8,697,436 B2 * 4/2014 Pflanz B01L 3/5635
435/243
D717,352 S * 11/2014 Manian D15/140
D717,464 S * 11/2014 Wainwright D24/162
D748,706 S * 2/2016 Ominami D16/131
D776,296 S * 1/2017 Wainwright D24/224
D821,605 S * 6/2018 Tremblay D24/224
D843,167 S * 3/2019 Wilson D7/396.2
2006/0172412 A1 * 8/2006 Perrier C12M 25/04
435/297.5
2006/0240549 A1 * 10/2006 Minton C12M 23/10
435/305.4
2008/0094708 A1 * 4/2008 Huang G03B 11/06
359/511
2011/0097790 A1 * 4/2011 Yerbic C12M 23/10
435/305.1

(73) Assignee: **Charles River Laboratories, Inc.**,
Wilmington, MA (US)

(**) Term: **15 Years**

(21) Appl. No.: **29/604,036**

(22) Filed: **May 15, 2017**

(51) **LOC (12) Cl.** **16-06**

(52) **U.S. Cl.**
USPC **D16/131**

(58) **Field of Classification Search**
USPC D16/130, 132, 133, 134, 135, 202, 310,
D16/140, 131; D14/156, 167, 192, 218;
D24/121, 162, 186, 216, 219–221,
D24/224–233
CPC G02B 21/0004; G02B 21/22; G02B 21/24;
G02B 21/06
See application file for complete search history.

(56) **References Cited**

U.S. PATENT DOCUMENTS

D295,319 S * 4/1988 Franchere D24/224
D698,939 S * 2/2014 Wainwright D24/224

* cited by examiner

Primary Examiner — Mark A Goodwin

Assistant Examiner — Benjamin M Weeks

(74) *Attorney, Agent, or Firm* — Goodwin Procter LLP

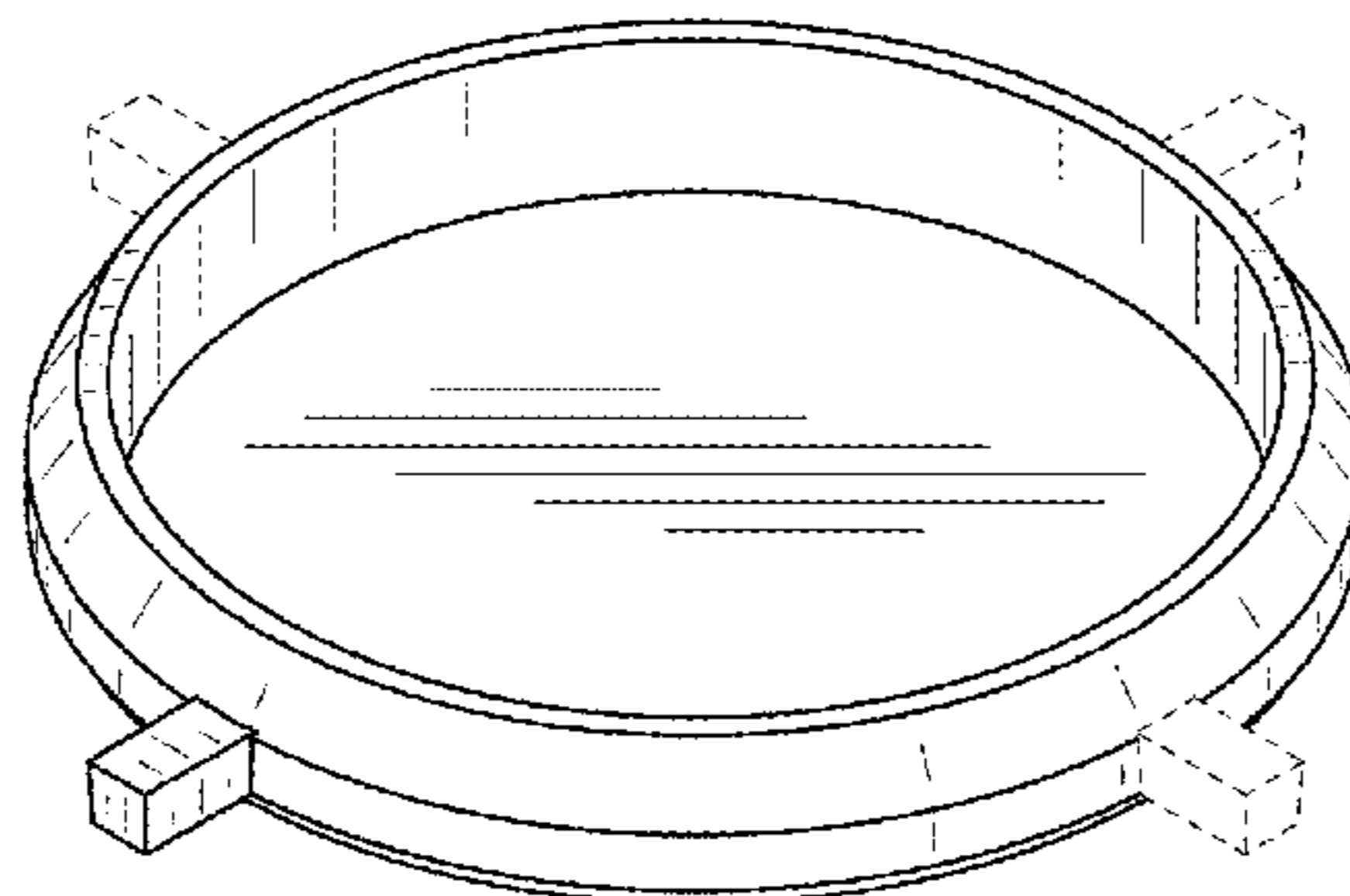
(57) **CLAIM**

The ornamental design for a ringed membrane, as shown and described.

DESCRIPTION

FIG. 1 is a top perspective view of a ringed membrane;
FIG. 2 is a front view of the ringed membrane;
FIG. 3 is a rear view of the ringed membrane;
FIG. 4 is a right side view of the ringed membrane;
FIG. 5 is a left side view of the ringed membrane;
FIG. 6 is a top view of the ringed membrane; and,
FIG. 7 is a bottom view of the ringed membrane.
The broken lines shown in the drawings of a ringed mem-
brane are for illustrative purposes only and form no part of
the claimed design.

1 Claim, 3 Drawing Sheets



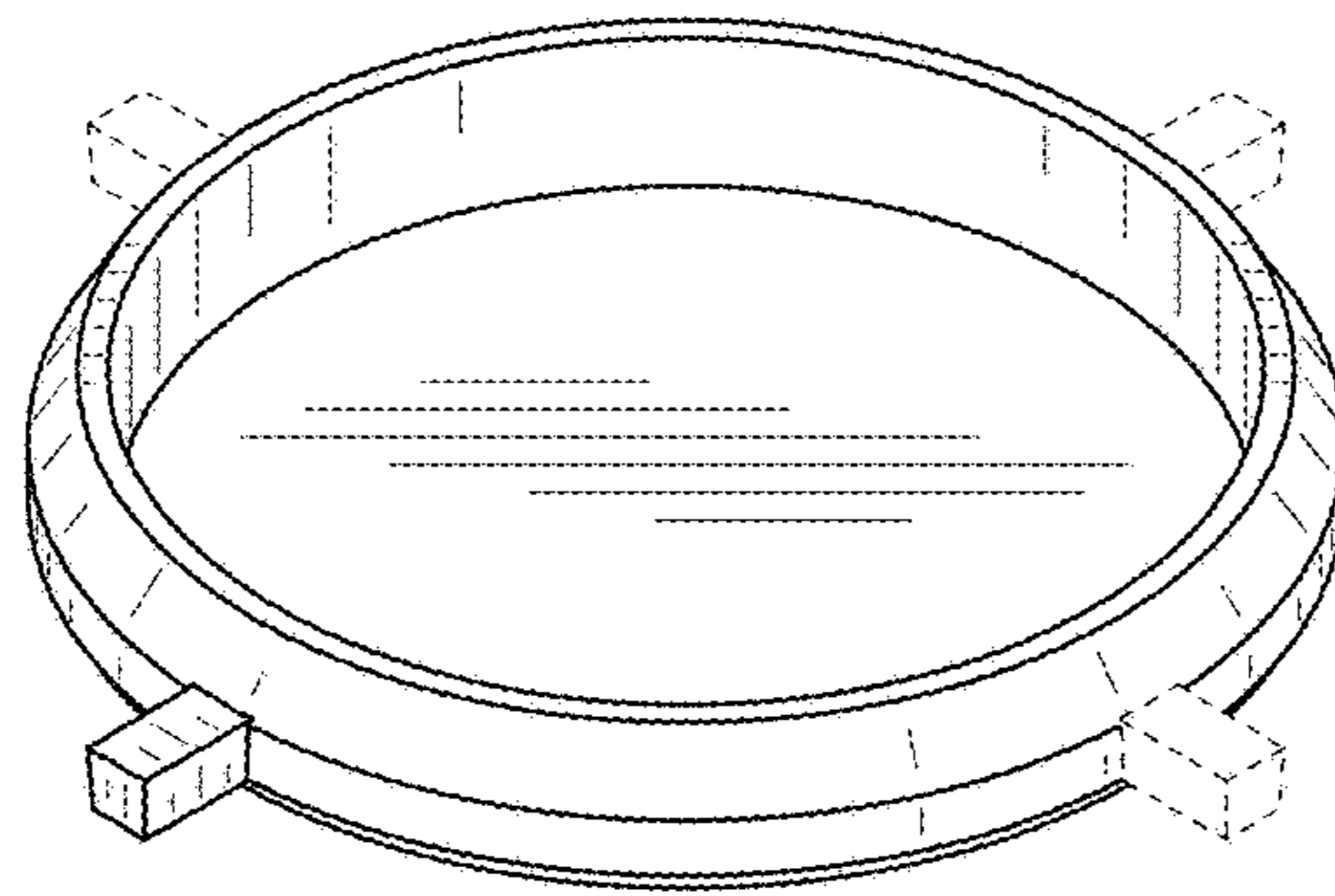


FIG. 1

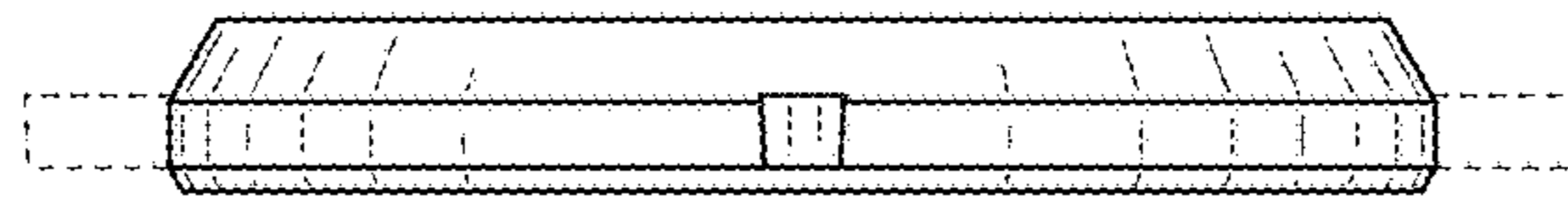


FIG. 2

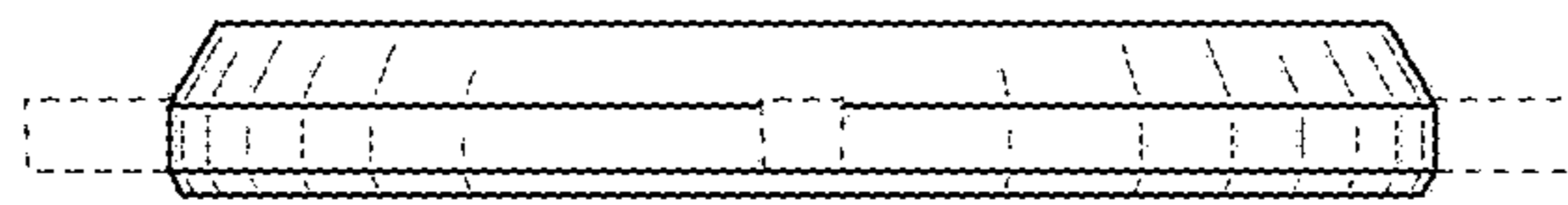


FIG. 3

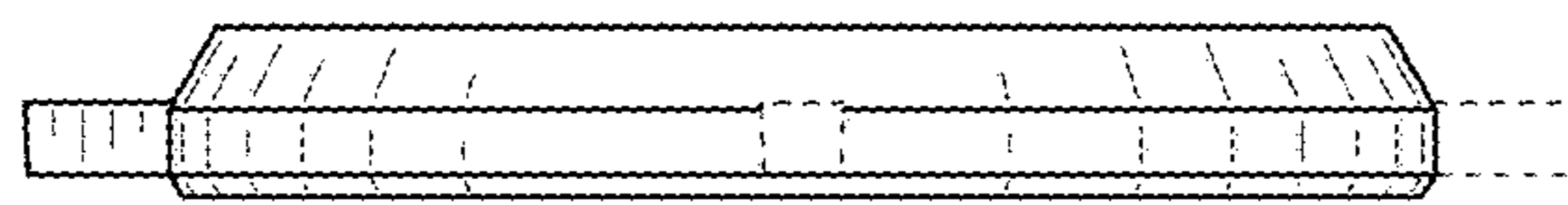


FIG. 4

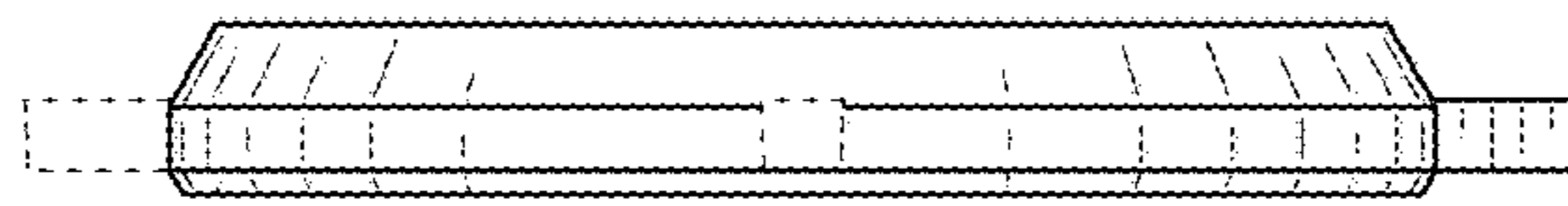


FIG. 5

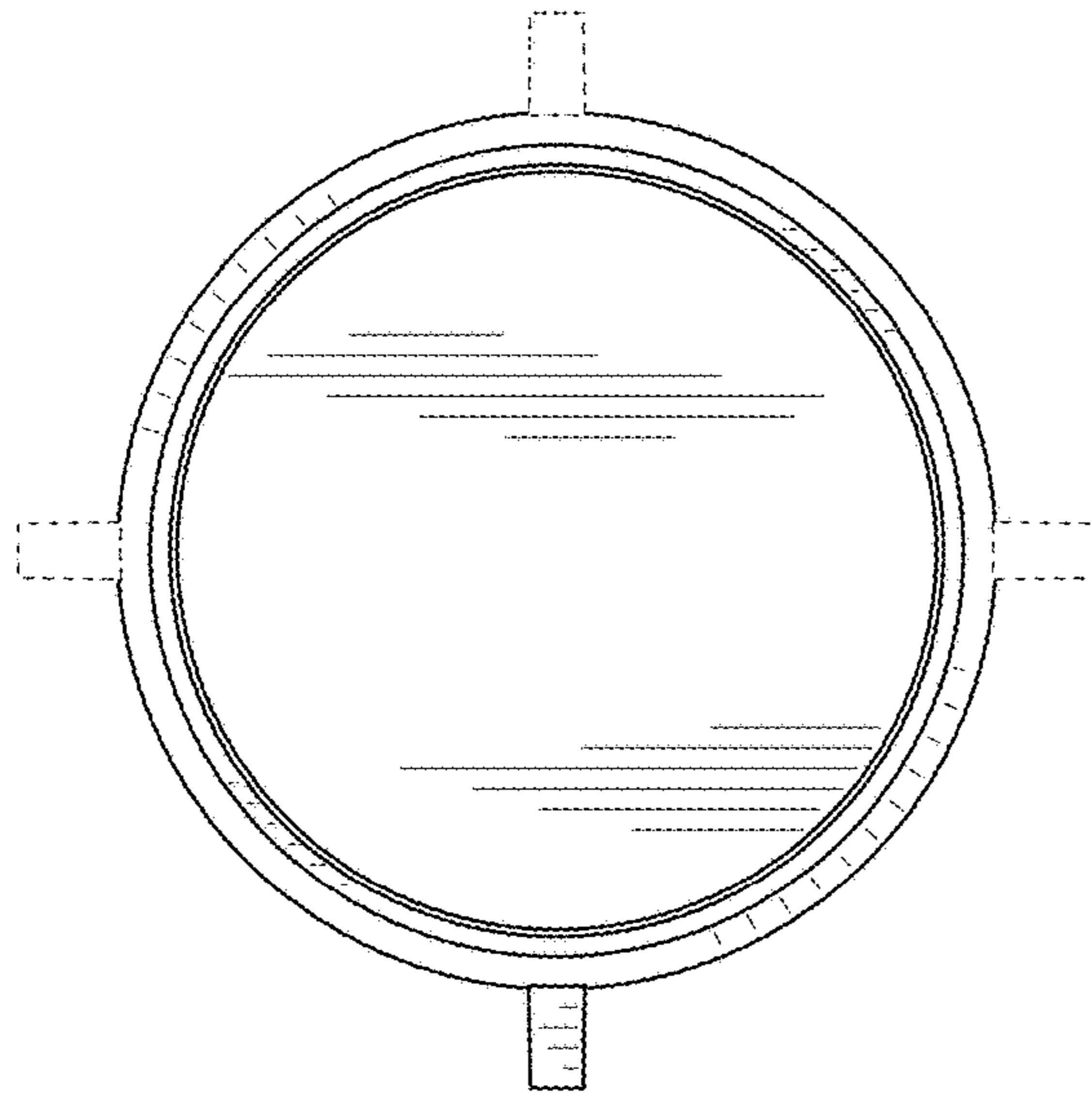


FIG. 6

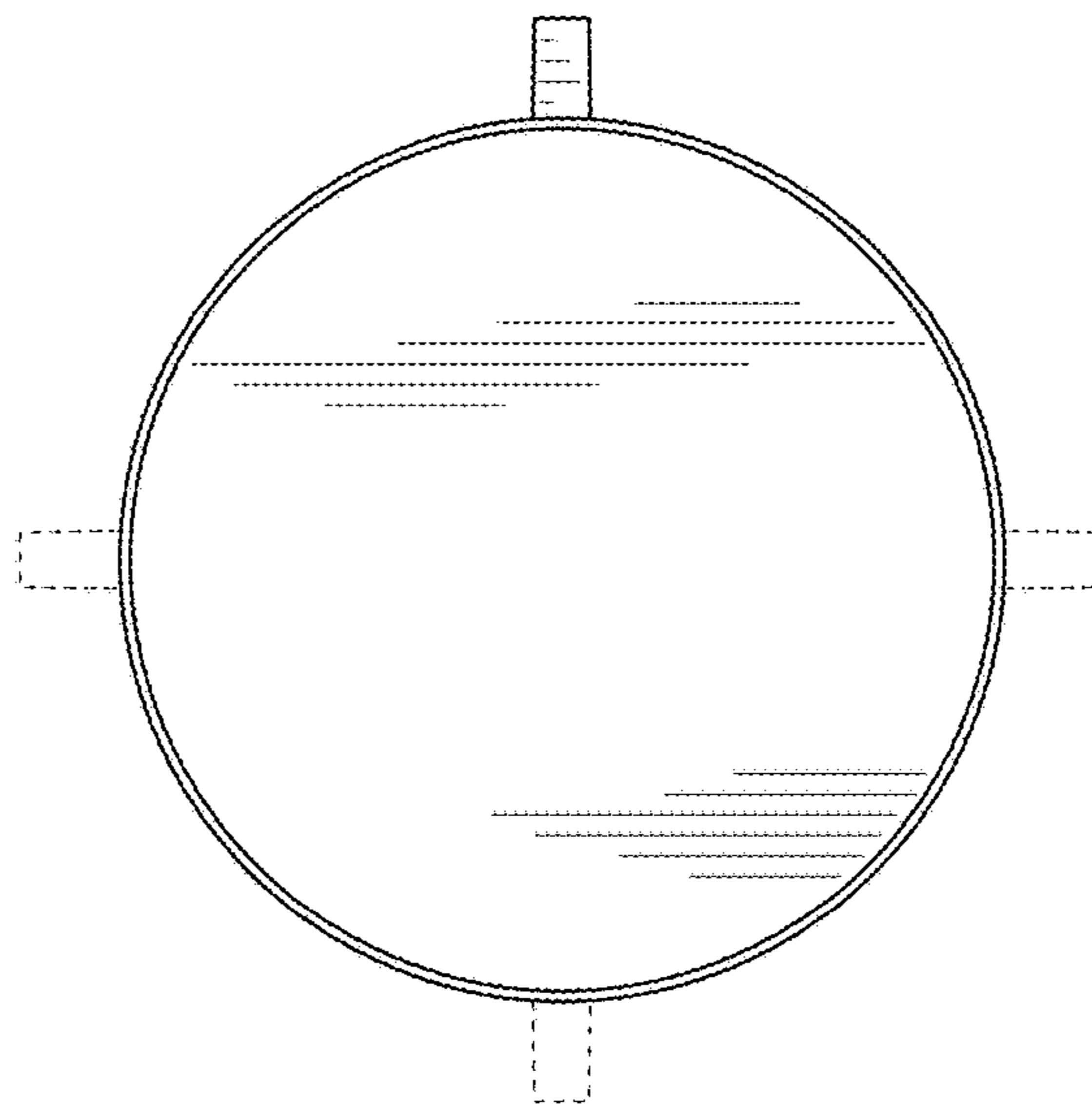


FIG. 7