



US00D859486S

(12) **United States Design Patent** (10) **Patent No.:** **US D859,486 S**
Cramb et al. (45) **Date of Patent:** **** Sep. 10, 2019**

(54) **CONFOCAL MICROSCOPE**

(71) Applicant: **CALIBER IMAGING & DIAGNOSTICS, INC.**, Rochester, NY (US)

(72) Inventors: **Allison L. Cramb**, Rochester, NY (US); **Christopher C. Distasio**, Rochester, NY (US); **William J. Fox**, Rochester, NY (US); **Benny Alexander**, Lakeway, TX (US); **Steven Ridge**, Glen Ellyn, IL (US); **Anthony J. Roberto**, Henrico, VA (US); **Tyler W. Porter**, Honeoye Falls, NY (US)

(73) Assignee: **CALIBER IMAGING & DIAGNOSTICS, INC.**, Rochester, NY (US)

(**) Term: **15 Years**

(21) Appl. No.: **29/540,725**

(22) Filed: **Sep. 27, 2015**

(51) **LOC (12) Cl.** **16-06**

(52) **U.S. Cl.**
USPC **D16/131**

(58) **Field of Classification Search**
USPC D16/130, 132, 133, 134, 135, 202, 310, D16/140; D14/137
CPC G02B 21/0004; G02B 21/22; G02B 21/24; G02B 21/06
See application file for complete search history.

(56) **References Cited**

U.S. PATENT DOCUMENTS

6,137,628 A 10/2000 Kraft et al.
D492,997 S 7/2004 Distasio
D523,883 S 6/2006 Distasio et al.
7,564,625 B2 7/2009 McLeod et al.

D771,169 S * 11/2016 Weber D16/131
D784,433 S * 4/2017 Weber D16/131
D812,665 S * 3/2018 Klein D16/131
2005/0213201 A1 9/2005 Zimmermann et al.

(Continued)

OTHER PUBLICATIONS

Scanning Stages with Integrated Measuring System, Märzhäuser Wetzlar GmbH Co. KG, <http://www.marzhauser.com/en/products/microscope-stages/motorized-microscope-stages/scanplus-series.html>, Sep. 7, 2015.

(Continued)

Primary Examiner — Mark A Goodwin

Assistant Examiner — Benjamin M Weeks

(74) *Attorney, Agent, or Firm* — Kenneth J. Lukacher Law Group; Kenneth J. Lukacher

(57) **CLAIM**

The ornamental design for a confocal microscope, as shown and described.

DESCRIPTION

FIG. 1 is a perspective view looking downwardly at the left side of a confocal microscope in accordance with our design;

FIG. 2 is a left side view thereof;

FIG. 3 is a right side view thereof;

FIG. 4 is a front elevation view thereof;

FIG. 5 is a rear elevation view thereof;

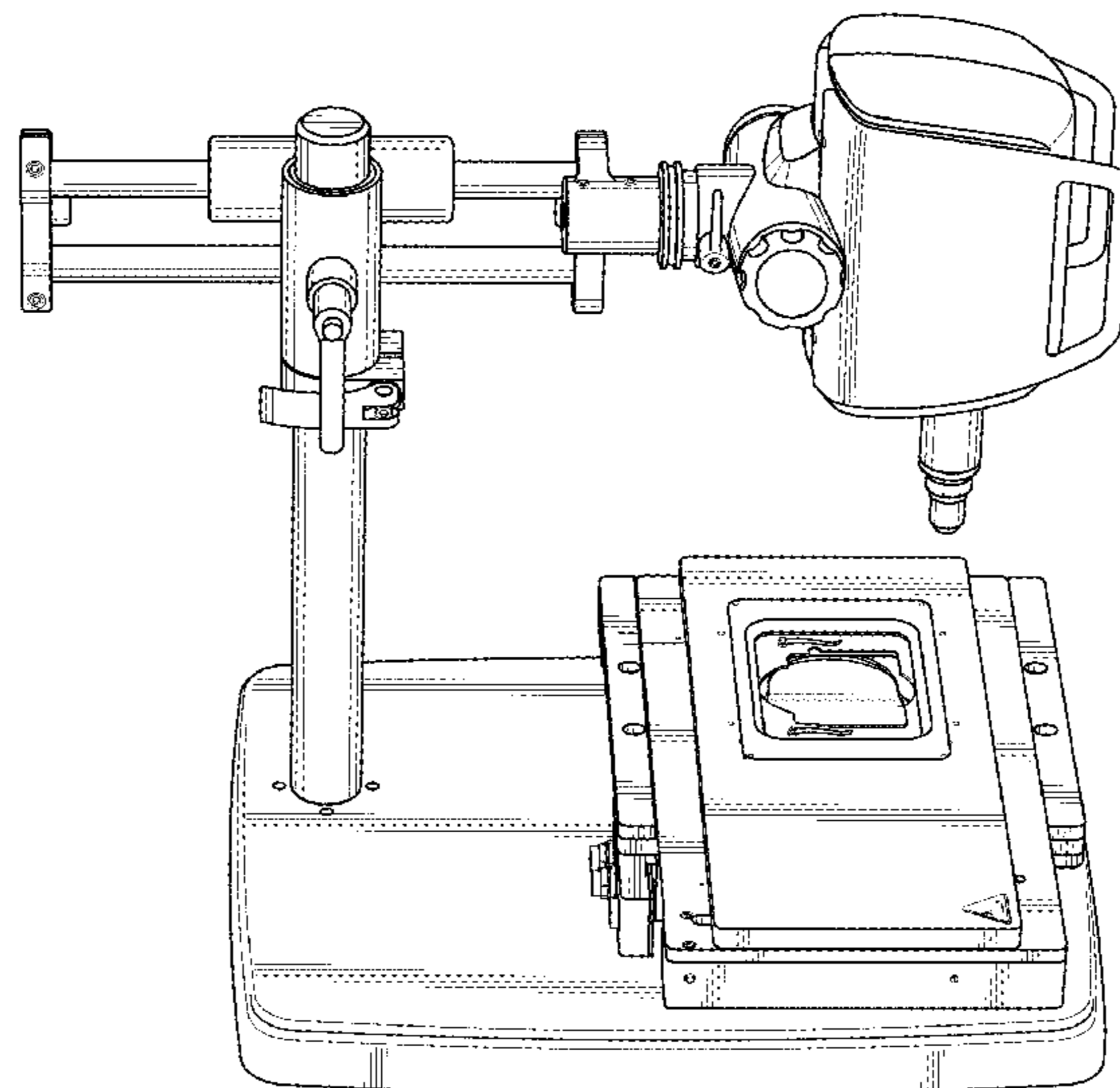
FIG. 6 is a top view thereof;

FIG. 7 is a bottom view thereof;

FIG. 8 is a perspective view looking at the right side thereof in which the imaging head of the confocal microscope is shown tilted from its position shown in FIGS. 1-6; and,

FIG. 9 is a perspective view looking at the rear elevation thereof in which the imaging head of the confocal microscope is also shown tilted from its position shown in FIGS. 1-6.

1 Claim, 9 Drawing Sheets



(56)

References Cited

U.S. PATENT DOCUMENTS

2012/0162602 A1 6/2012 Huening et al.

OTHER PUBLICATIONS

VivaScope(R) 1500/3000, MAVIG GmbH, 2011.
Stereo Microscope Boom Stands, Catalog #BS-3, Diagnostic Instruments, Inc., at least as early as Sep. 25, 2015.
Dual Linear Ball Bearing Arm, Old School Industries, Inc., www.osi-incorp.com, printed Sep. 25, 2015.

* cited by examiner

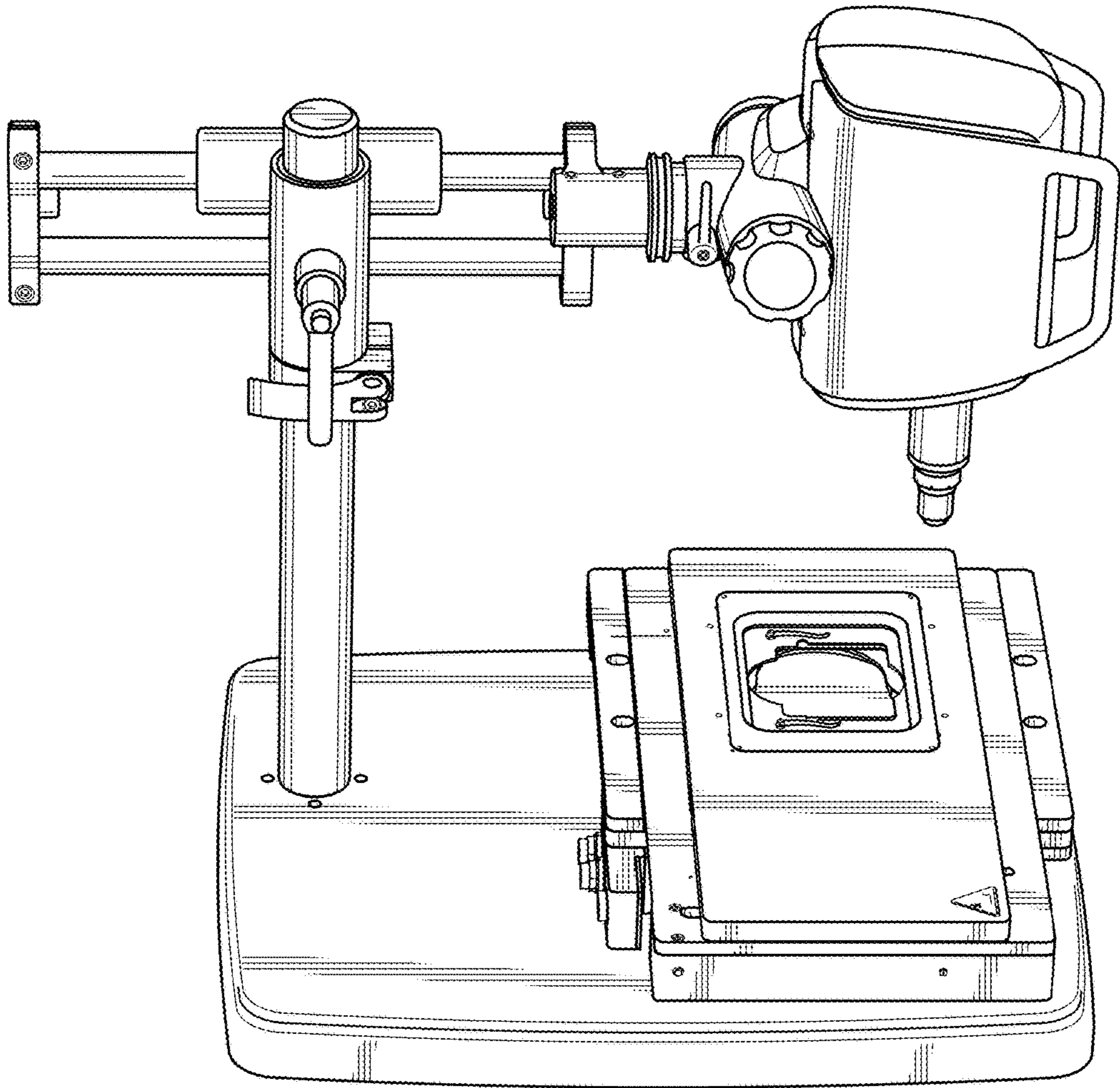


FIG. 1

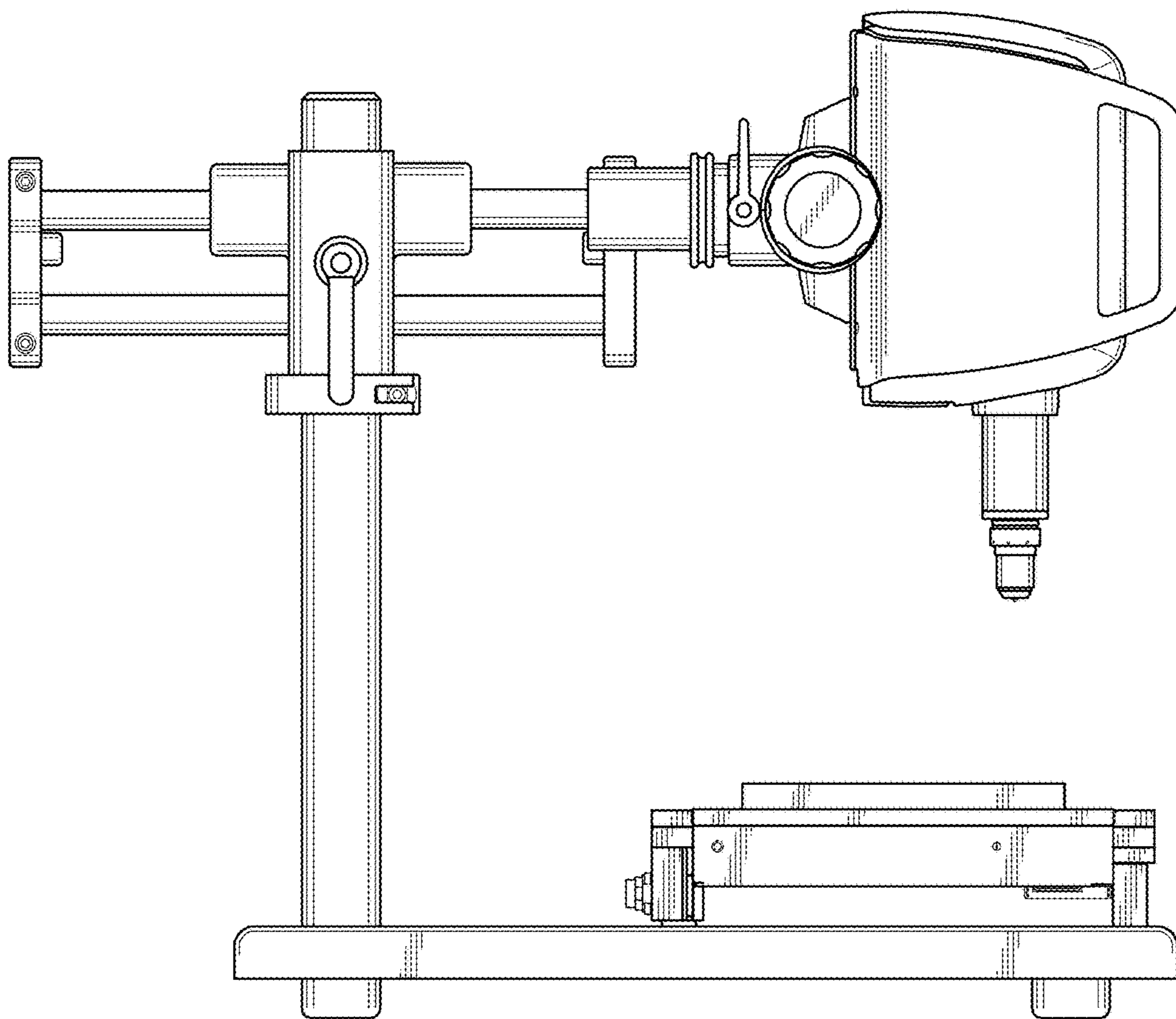


FIG. 2

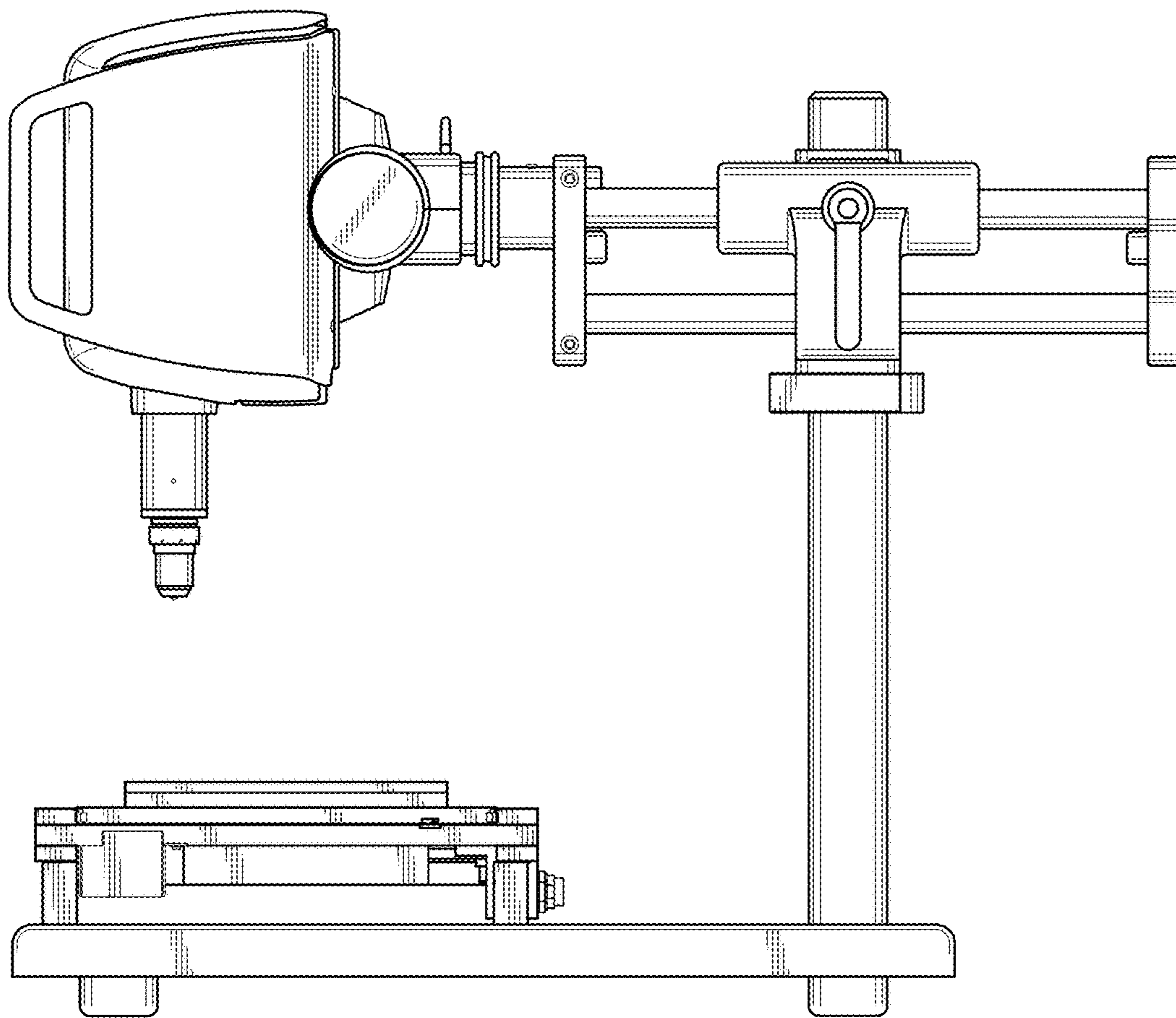


FIG. 3

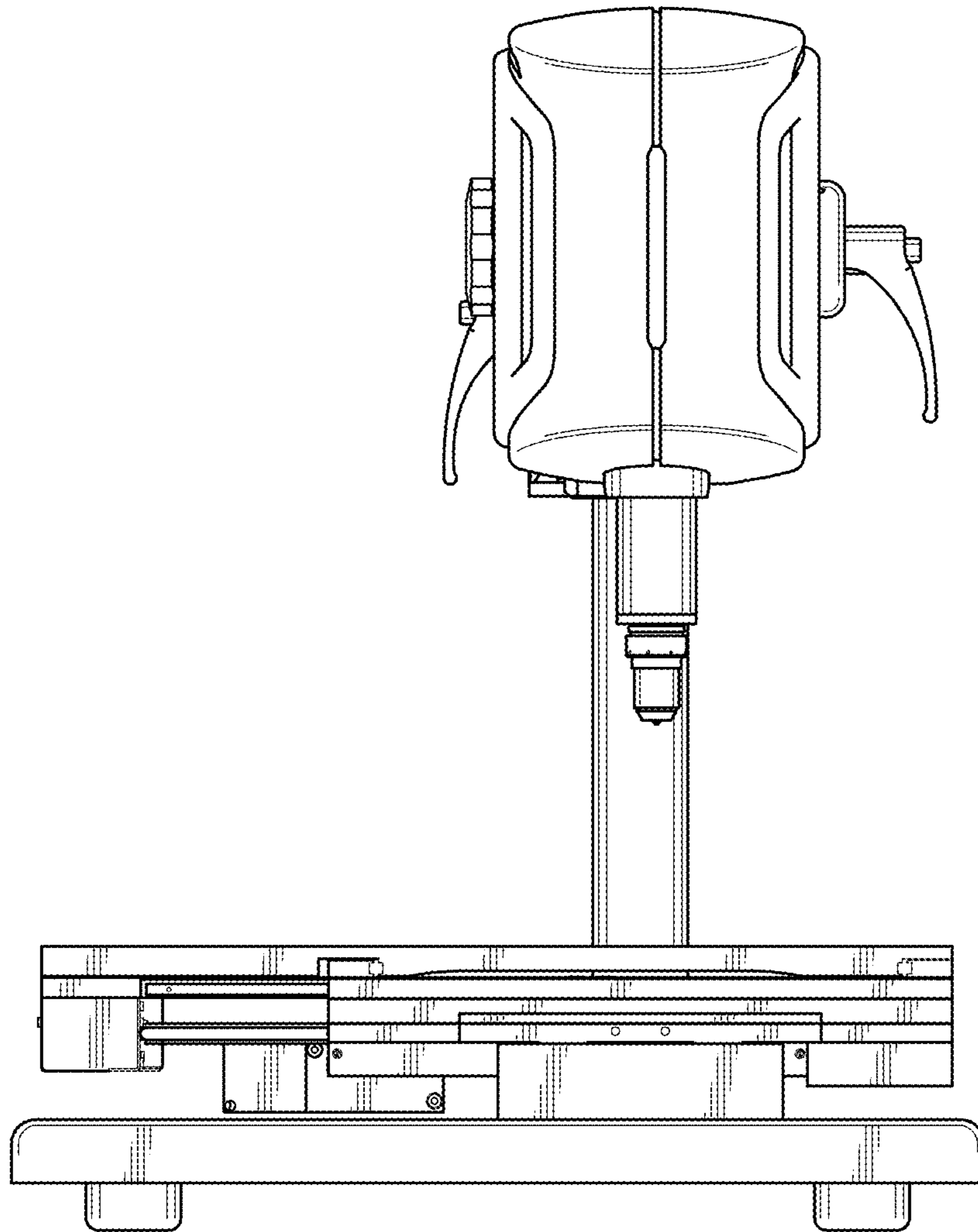


FIG. 4

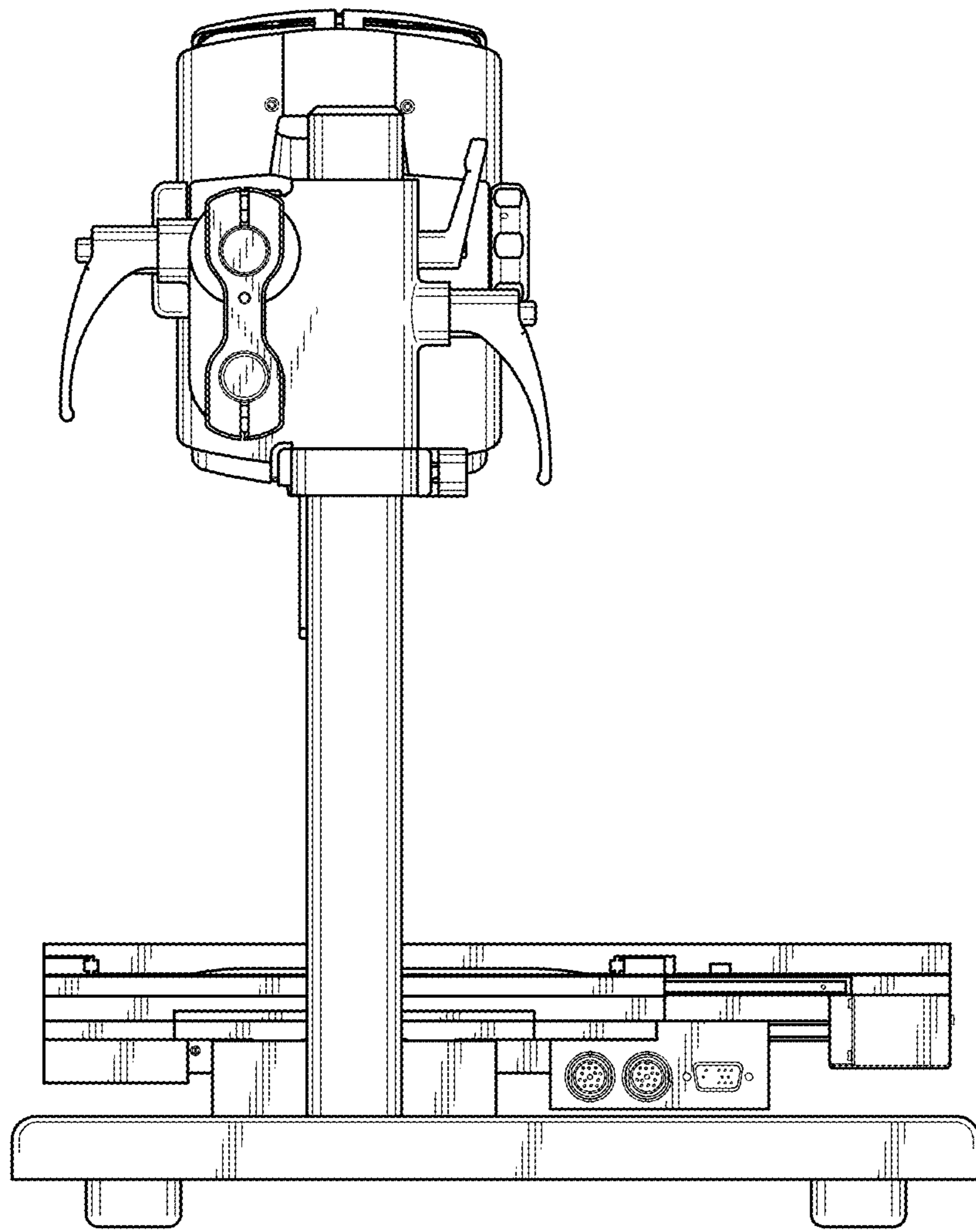


FIG. 5

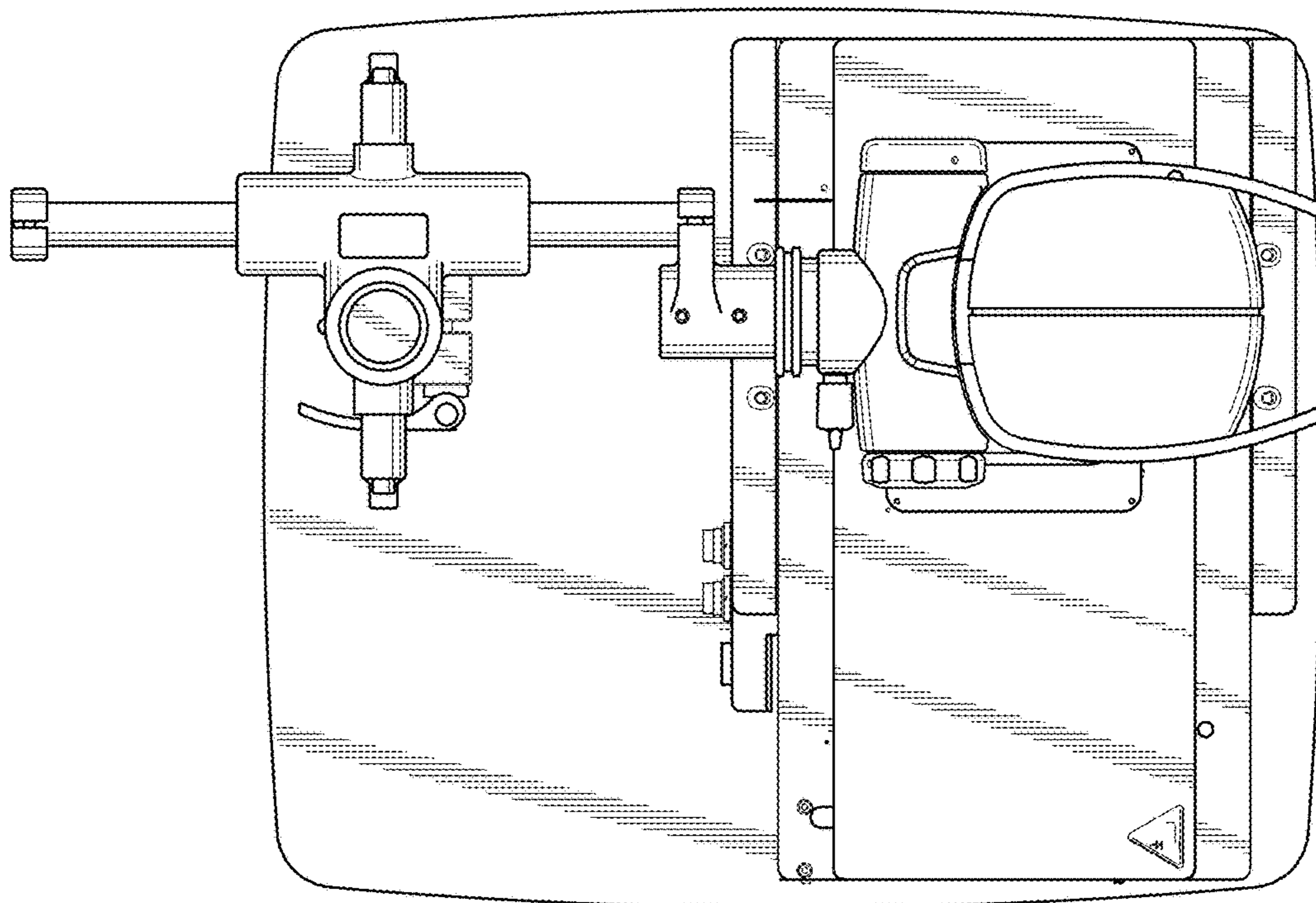


FIG. 6

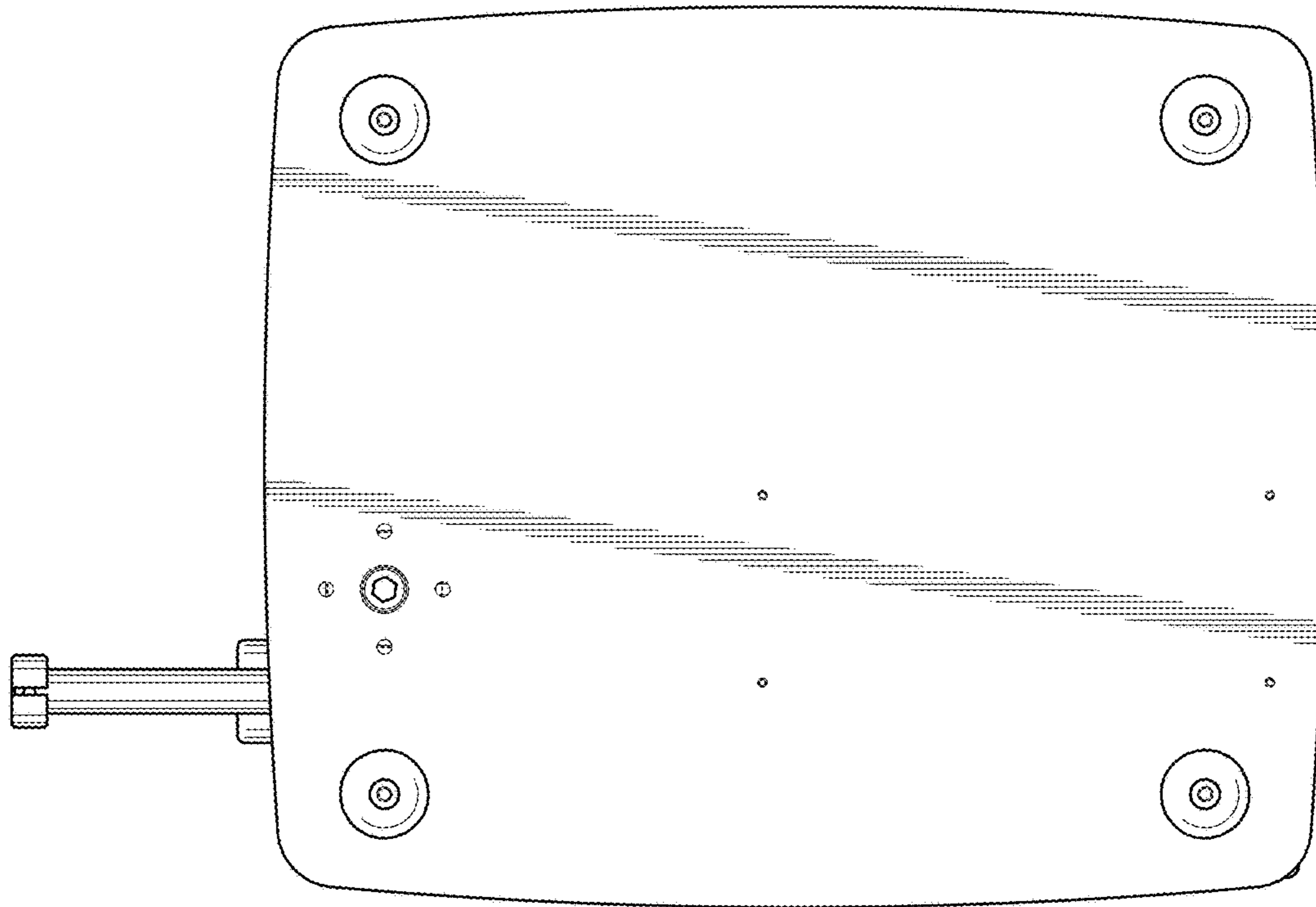


FIG. 7

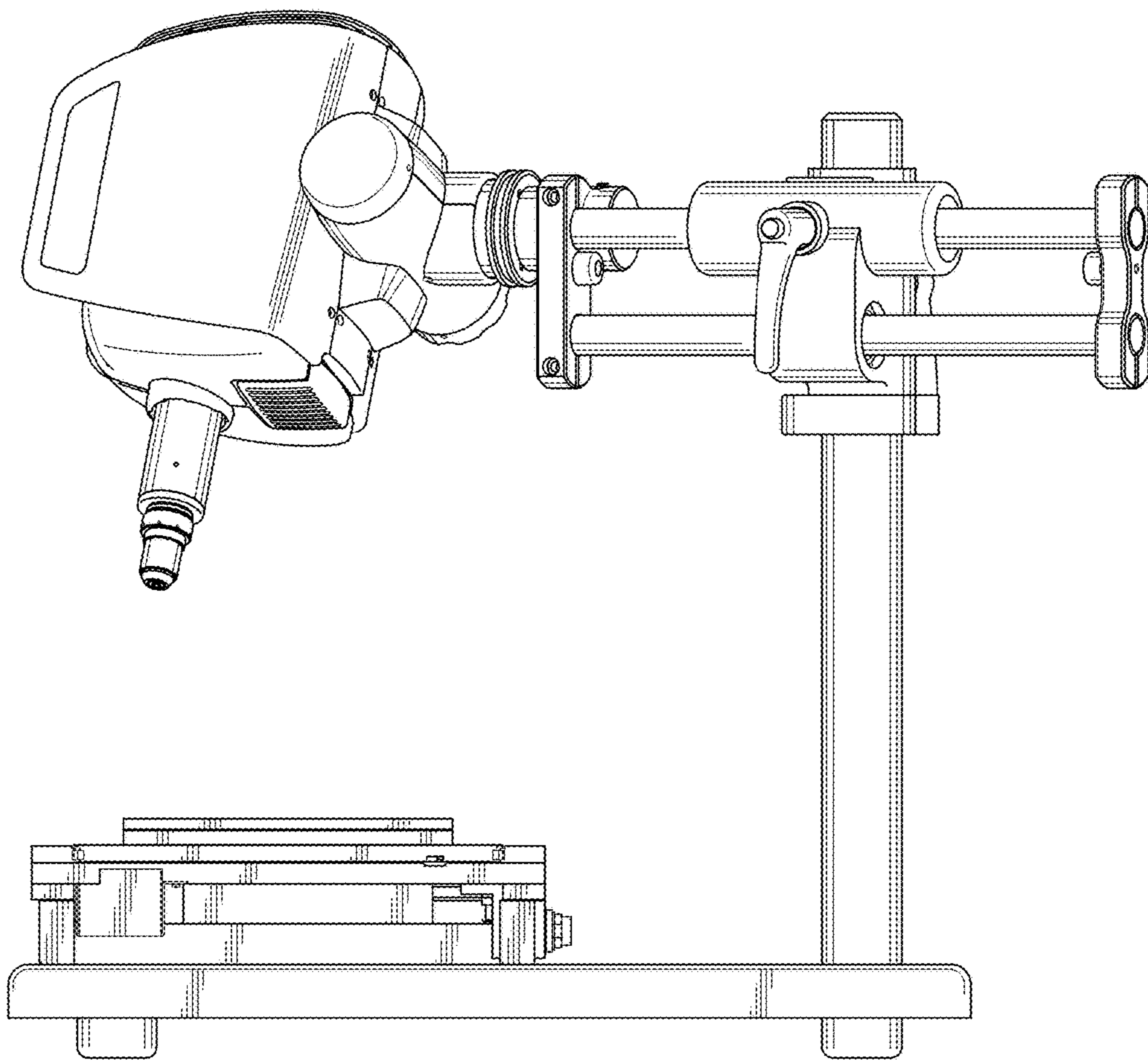


FIG. 8

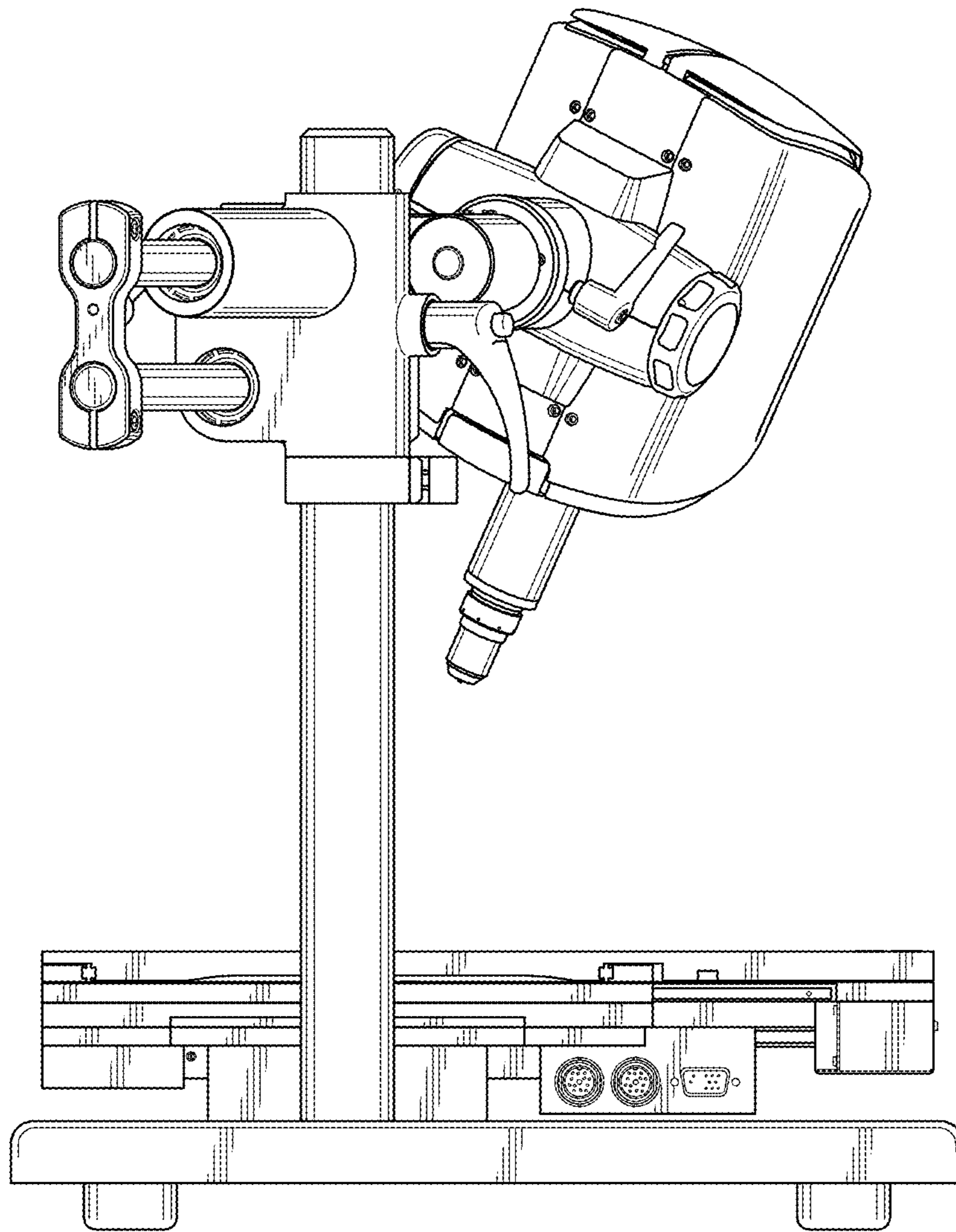


FIG. 9