



US00D859482S

(12) **United States Design Patent** (10) **Patent No.:** **US D859,482 S**
Miyauchi et al. (45) **Date of Patent:** **** Sep. 10, 2019**

(54) **ROLLER BURNISHING TOOL FOR MACHINE TOOL**

(71) Applicant: **SUGINO MACHINE LIMITED**, Toyama Prefecture (JP)

(72) Inventors: **Shinya Miyauchi**, Uozu (JP); **Mitsuru Muto**, Uozu (JP)

(73) Assignee: **SUGINO MACHINE LIMITED**, Uozu (JP)

(**) Term: **15 Years**

(21) Appl. No.: **35/505,536**

(22) Filed: **Feb. 21, 2018**

(80) **Hague Agreement Data**

Int. Filing Date: **Feb. 21, 2018**
Int. Reg. No.: **DM/100468**
Int. Reg. Date: **Feb. 21, 2018**
Int. Reg. Pub. Date: **Aug. 24, 2018**

(30) **Foreign Application Priority Data**

Aug. 22, 2017 (JP) 2017-017937

(51) **LOC (12) Cl.** **15-09**

(52) **U.S. Cl.**
USPC **D15/138**
CPC **B24B 39/00** (2013.01)

(58) **Field of Classification Search**
USPC D15/21, 28, 29, 139; D24/146; 30/167, 30/167.2, 168, 366; D8/14, 20, 47, 70
CPC B24B 39/023; B24B 39/02; B24B 39/00
See application file for complete search history.

(56) **References Cited**

U.S. PATENT DOCUMENTS

4,040,765 A * 8/1977 Vig B23B 31/00
408/239 A
4,664,567 A * 5/1987 Edwards B23B 51/0486
407/11

D328,906 S * 8/1992 MacDonald D15/139
D400,547 S * 11/1998 Albrektsson D15/139
D644,327 S * 8/2011 Singh D15/139
D676,471 S * 2/2013 Marcus D15/138
D682,898 S * 5/2013 Fujii D15/139
D686,896 S * 7/2013 Guelat D15/139
D786,645 S * 5/2017 Svendsen D15/139
D816,745 S * 5/2018 Hori D15/139
D827,000 S * 8/2018 VanLue E21B 33/128
D15/138
2017/0341171 A1 * 11/2017 Hori B23D 77/00
2019/0061099 A1 * 2/2019 Miyauchi B24B 39/026

OTHER PUBLICATIONS

Sugino Machine Limited, Roller Burning Tool Superroll Product Catalog, Feb. 2017.

* cited by examiner

Primary Examiner — Richard E Chilcot
(74) *Attorney, Agent, or Firm* — Hamre, Schumann, Mueller & Larson, P.C.

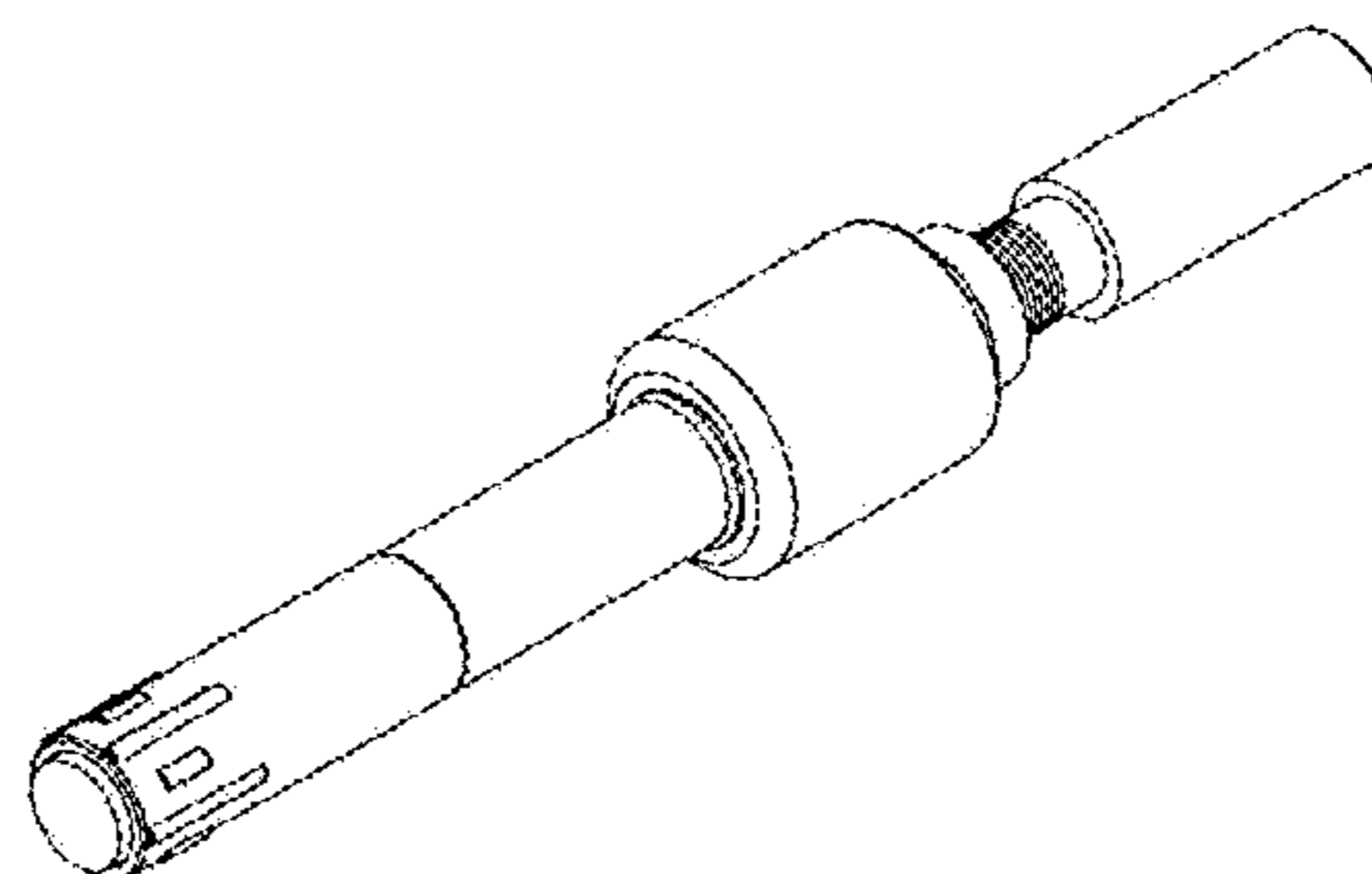
(57) **CLAIM**

The ornamental design for a roller burnishing tool for machine tool, as shown and described.

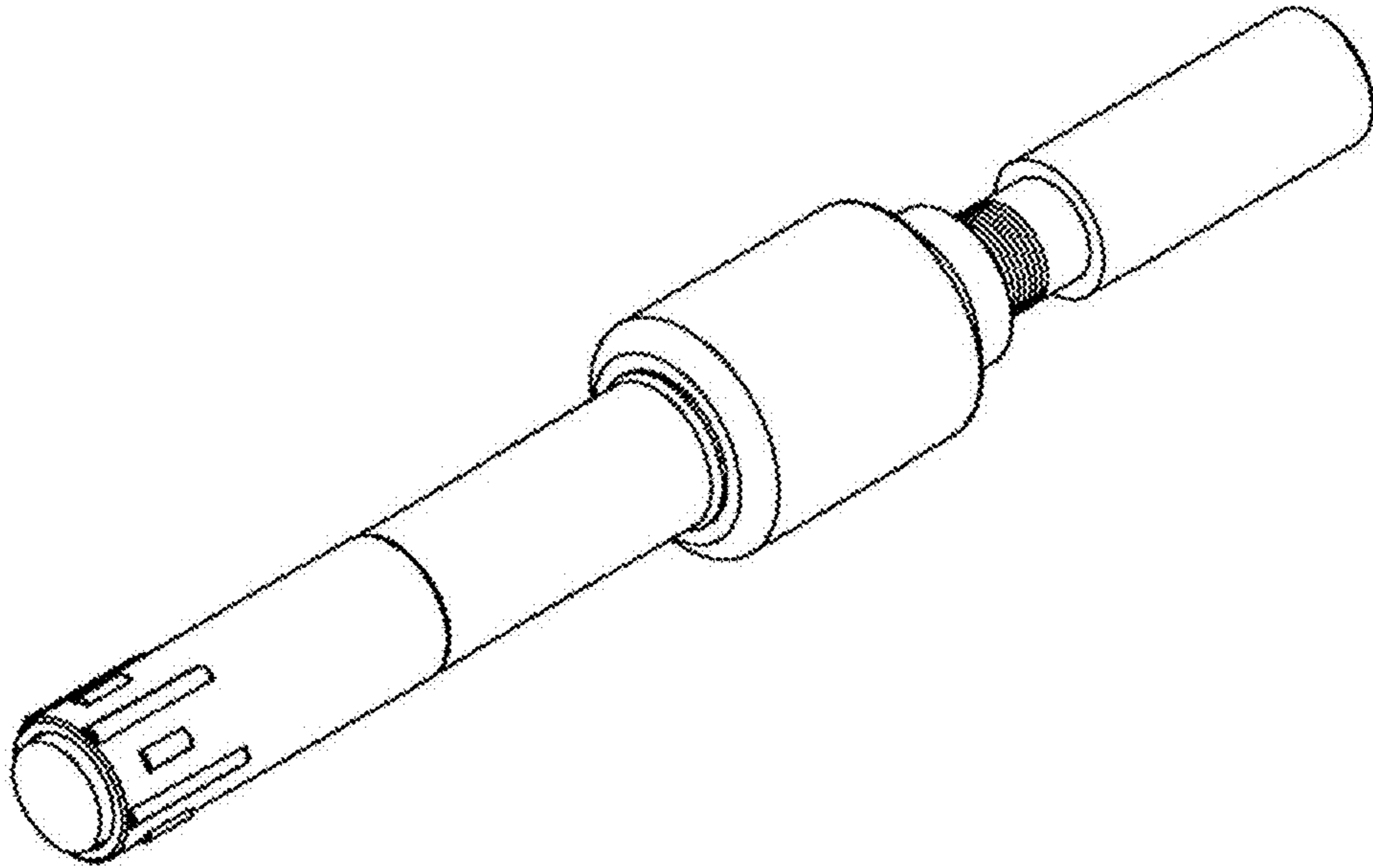
DESCRIPTION

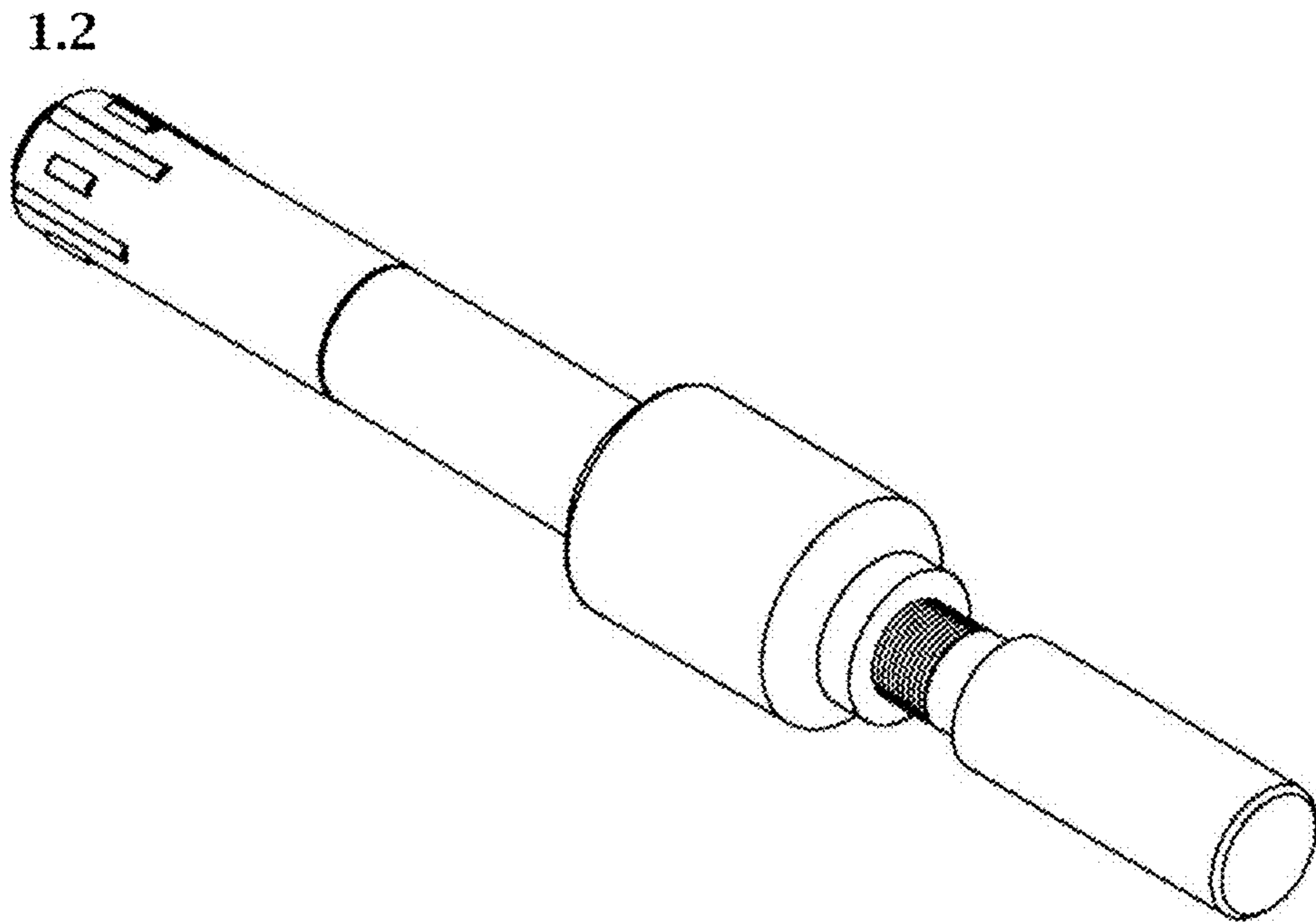
- 1. Roller burnishing tool for machine tool
- 1.1 : Perspective
- 1.2 : Perspective
- 1.3 : Front
- 1.4 : Back
- 1.5 : Left
- 1.6 : Right
- 1.7 : Top
- 1.8 : Bottom

1 Claim, 8 Drawing Sheets

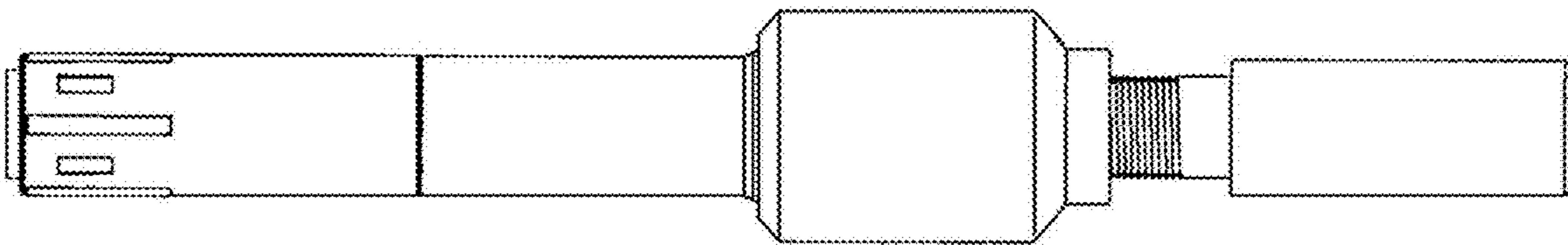


1.1

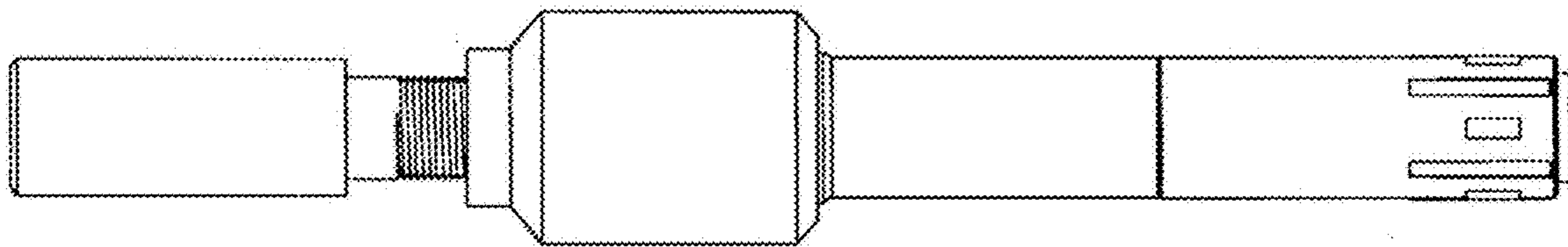




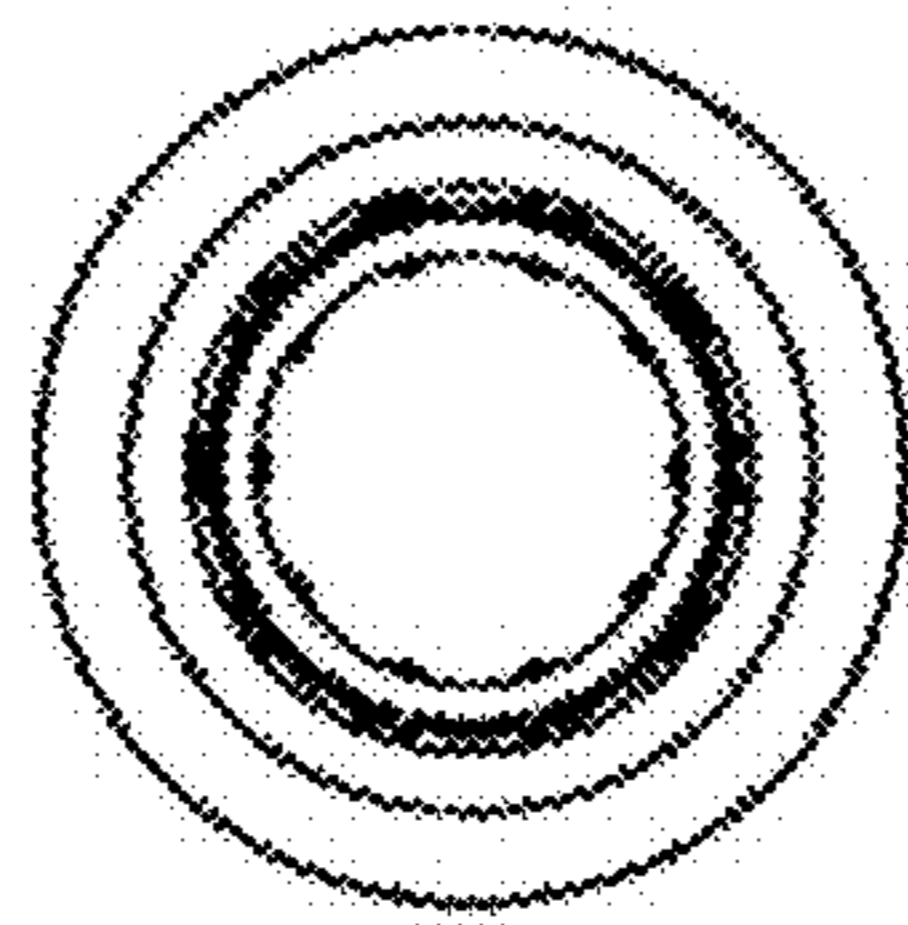
1.3



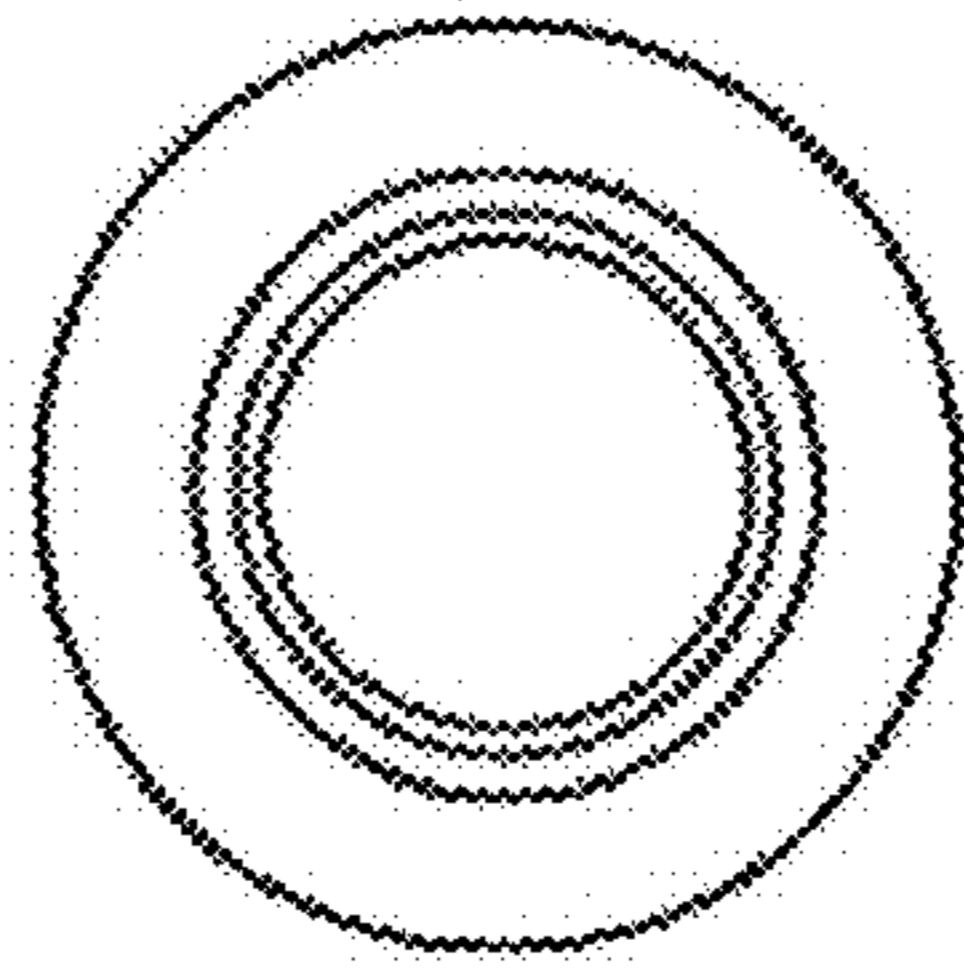
1.4



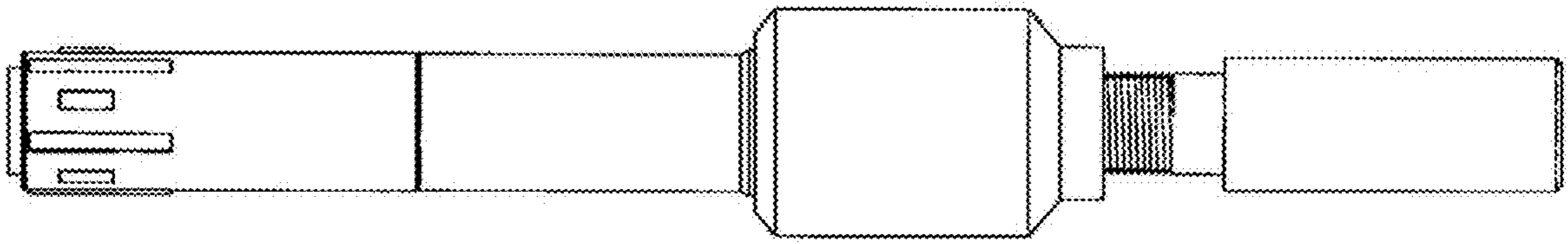
1.5



1.6



1.7



1.8

