



US00D859481S

(12) **United States Design Patent**  
**Nishimiya**

(10) **Patent No.:** **US D859,481 S**

(45) **Date of Patent:** **\*\* Sep. 10, 2019**

- (54) **CHUCK FOR MACHINE TOOL**
- (71) Applicant: **KITAGAWA IRON WORKS CO., LTD.**, Fuchu-shi (Hiroshima) (JP)
- (72) Inventor: **Tamio Nishimiya**, Hiroshima (JP)
- (73) Assignee: **KITAGAWA IRON WORKS CO., LTD.**, Fuchu-Shi (Hiroshima) (JP)
- (\*\*) Term: **15 Years**
- (21) Appl. No.: **29/648,032**
- (22) Filed: **May 17, 2018**
- (51) **LOC (12) Cl.** ..... **15-09**
- (52) **U.S. Cl.**  
USPC ..... **D15/130; D8/70**
- (58) **Field of Classification Search**  
USPC ..... D8/61-71; D15/130, 131, 138-140  
CPC ..... B23B 21/16245; B23B 21/16295; Y10T 279/20; Y10T 279/1993  
See application file for complete search history.

- D590,229 S \* 4/2009 Reece, Jr. .... D8/70
- D648,762 S 11/2011 Mack
- 8,220,805 B2 \* 7/2012 Monden ..... B23B 31/16233 279/120
- D700,922 S \* 3/2014 Burca ..... D15/139
- D775,248 S \* 12/2016 Avellaneda ..... D15/140
- D821,460 S \* 6/2018 Kojo ..... D15/139
- 2019/0030617 A1 \* 1/2019 Nishimiya ..... B23B 31/16

\* cited by examiner

*Primary Examiner* — Garth Rademaker

*Assistant Examiner* — Fritzgerald L Butac

(74) *Attorney, Agent, or Firm* — Knobbe, Martens, Olson & Bear, LLP

(57) **CLAIM**

The ornamental design for a chuck for machine tool, as shown and described.

**DESCRIPTION**

FIG. 1 is a front, top, left side perspective view of a chuck for machine tool showing my new design;  
 FIG. 2 is a rear, top, left side perspective view thereof.  
 FIG. 3 is a front view thereof;  
 FIG. 4 is a rear view thereof;  
 FIG. 5 is a right side view thereof;  
 FIG. 6 is a left side view thereof;  
 FIG. 7 is a top view thereof;  
 FIG. 8 is a bottom view thereof;  
 FIG. 9 is an enlarged view of a portion taken along line 9-9 of FIG. 6;  
 FIG. 10 is an enlarged view of a portion taken along line 10-10 of FIG. 3; and,  
 FIG. 11 is a cross-section view of the enlarged portion in FIG. 10, taken along line 10-10 of FIG. 3.  
 The broken lines show portions of a chuck for machine tool that form no part of the claimed design.

**1 Claim, 11 Drawing Sheets**

(56) **References Cited**

**U.S. PATENT DOCUMENTS**

- D161,552 S \* 1/1951 Stonea ..... D15/130
- D189,992 S \* 3/1961 Smith ..... D15/130
- 3,199,880 A \* 8/1965 Blattry ..... B23B 31/1625 279/121
- D268,414 S 3/1983 Cleary et al.
- D272,828 S 2/1984 Negoro
- 4,530,508 A \* 7/1985 Ferraro ..... B23B 31/16295 269/99
- 4,561,663 A \* 12/1985 Ferraro ..... B23B 31/16295 279/110
- 5,052,254 A \* 10/1991 Goins ..... B23B 31/16295 279/154
- D405,812 S \* 2/1999 Miles ..... D15/140
- D411,552 S \* 6/1999 Miles ..... D15/140

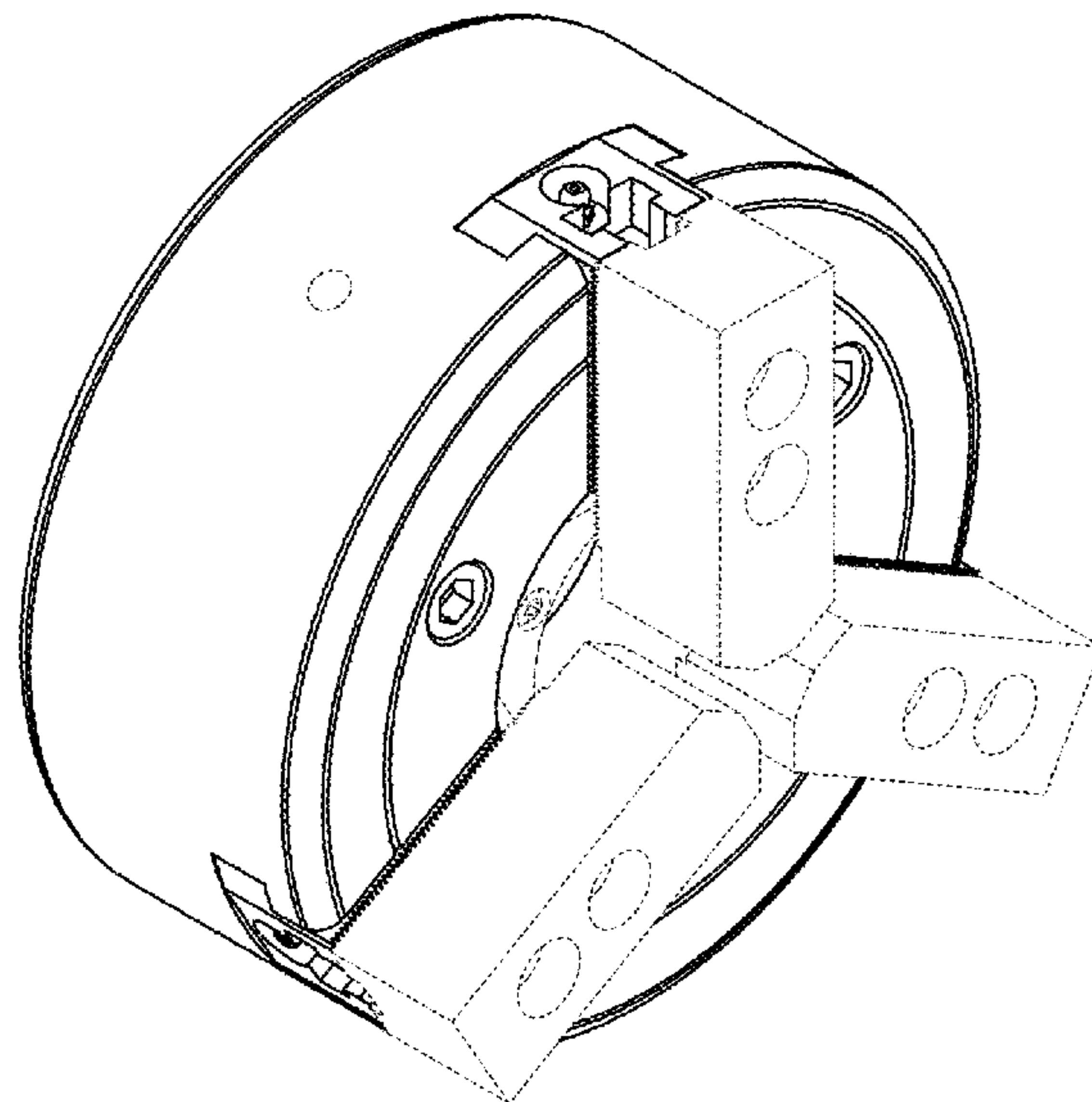


FIG.1

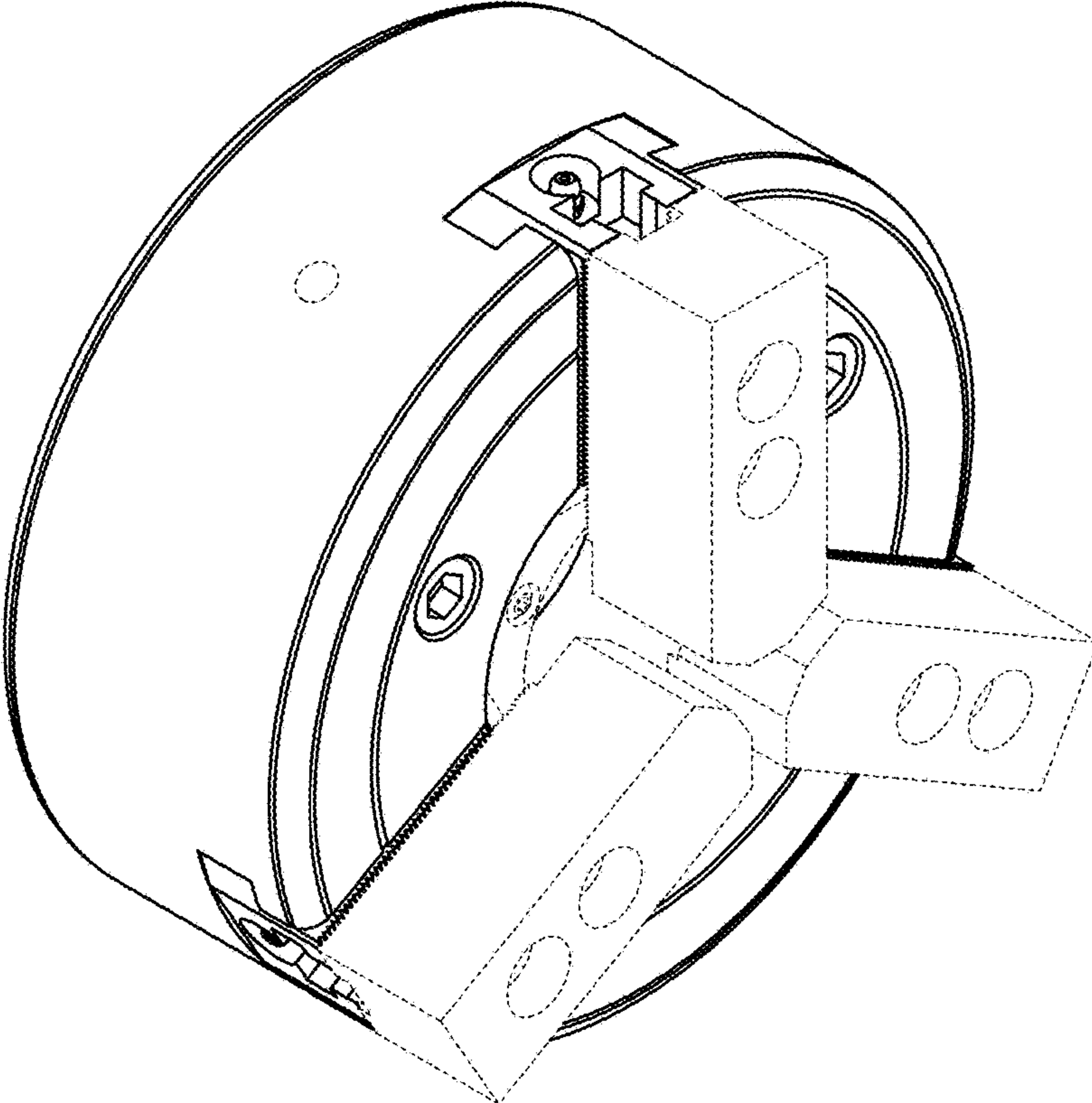


FIG.2

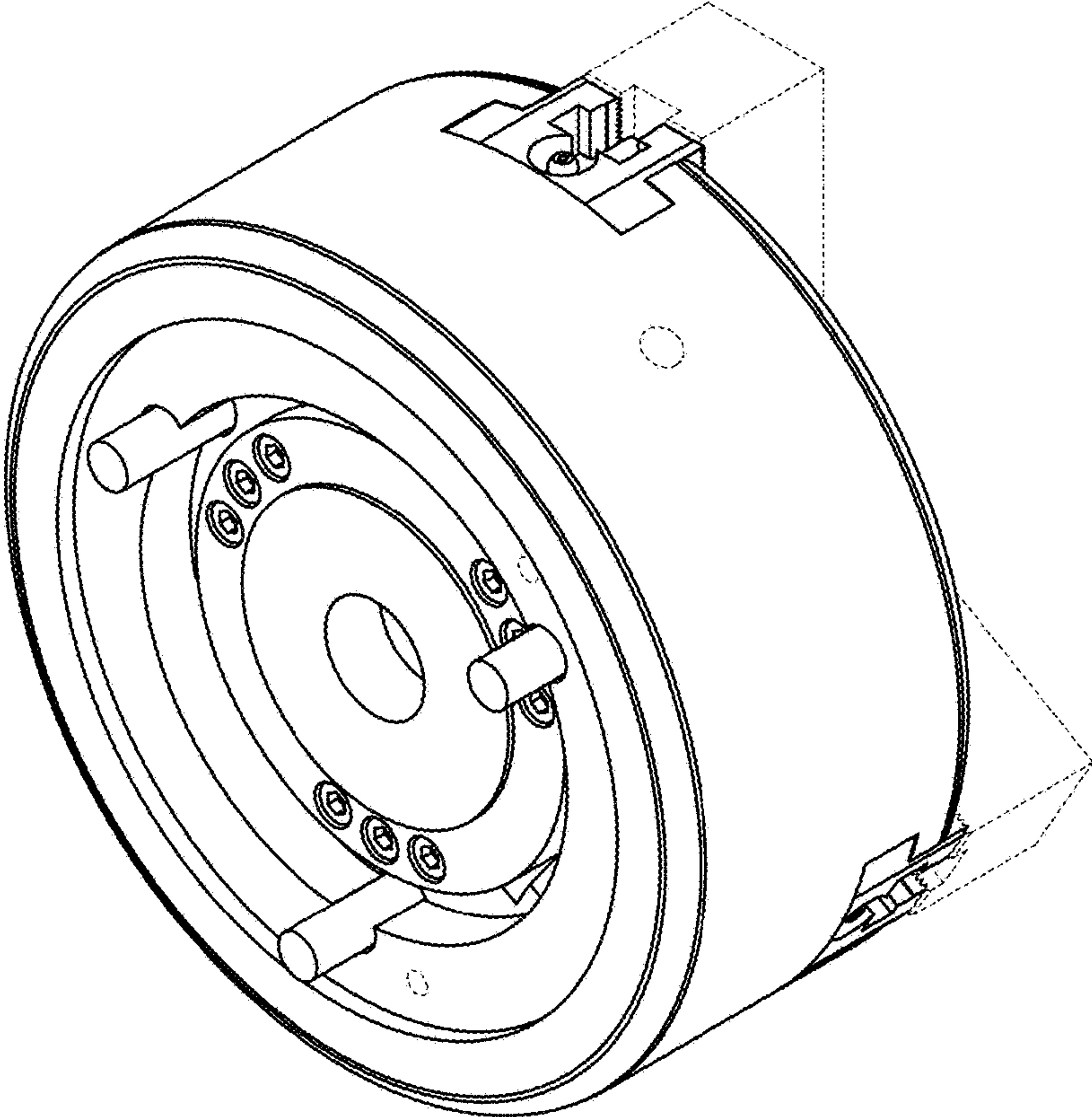


FIG.3

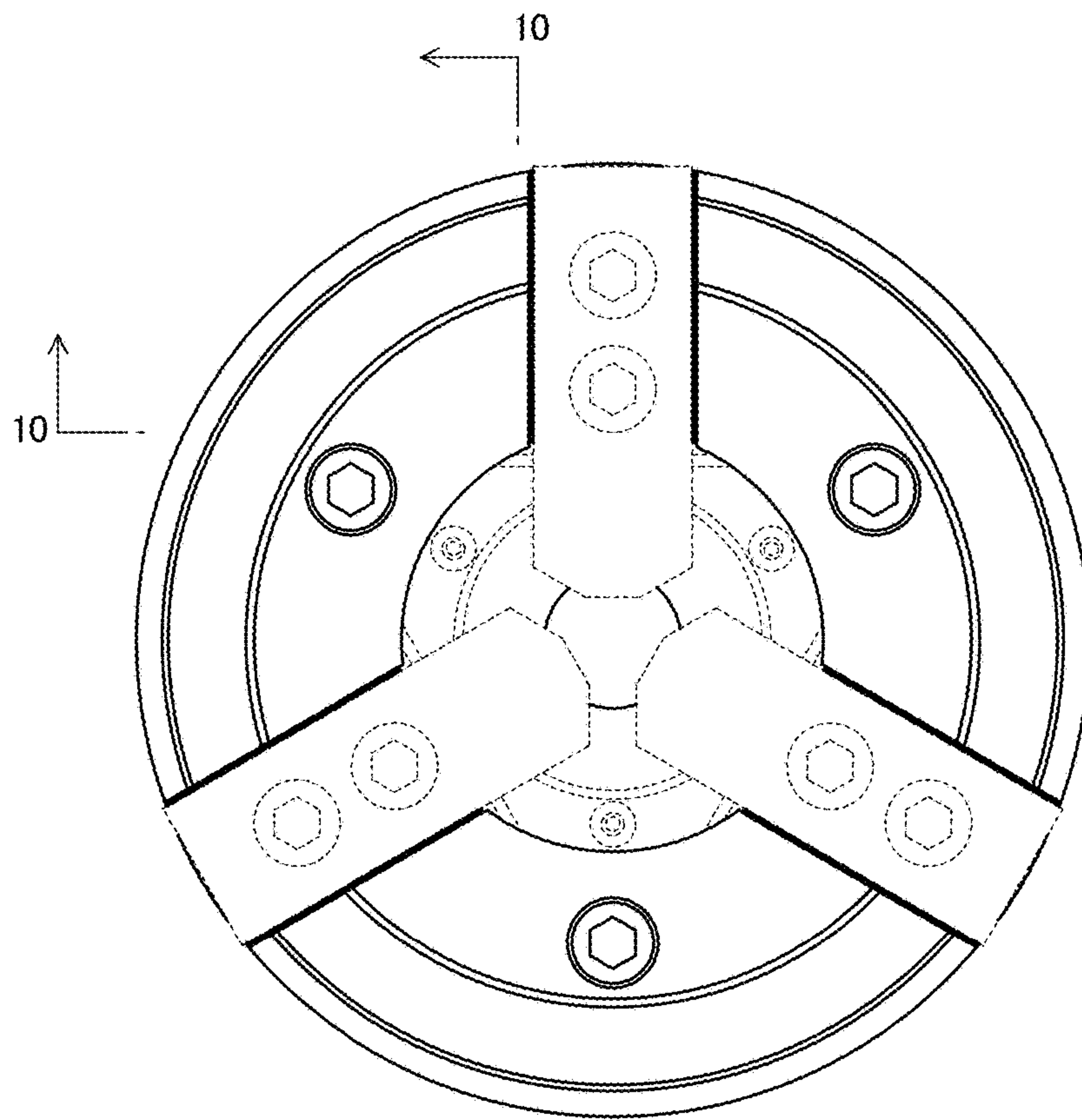




FIG.4

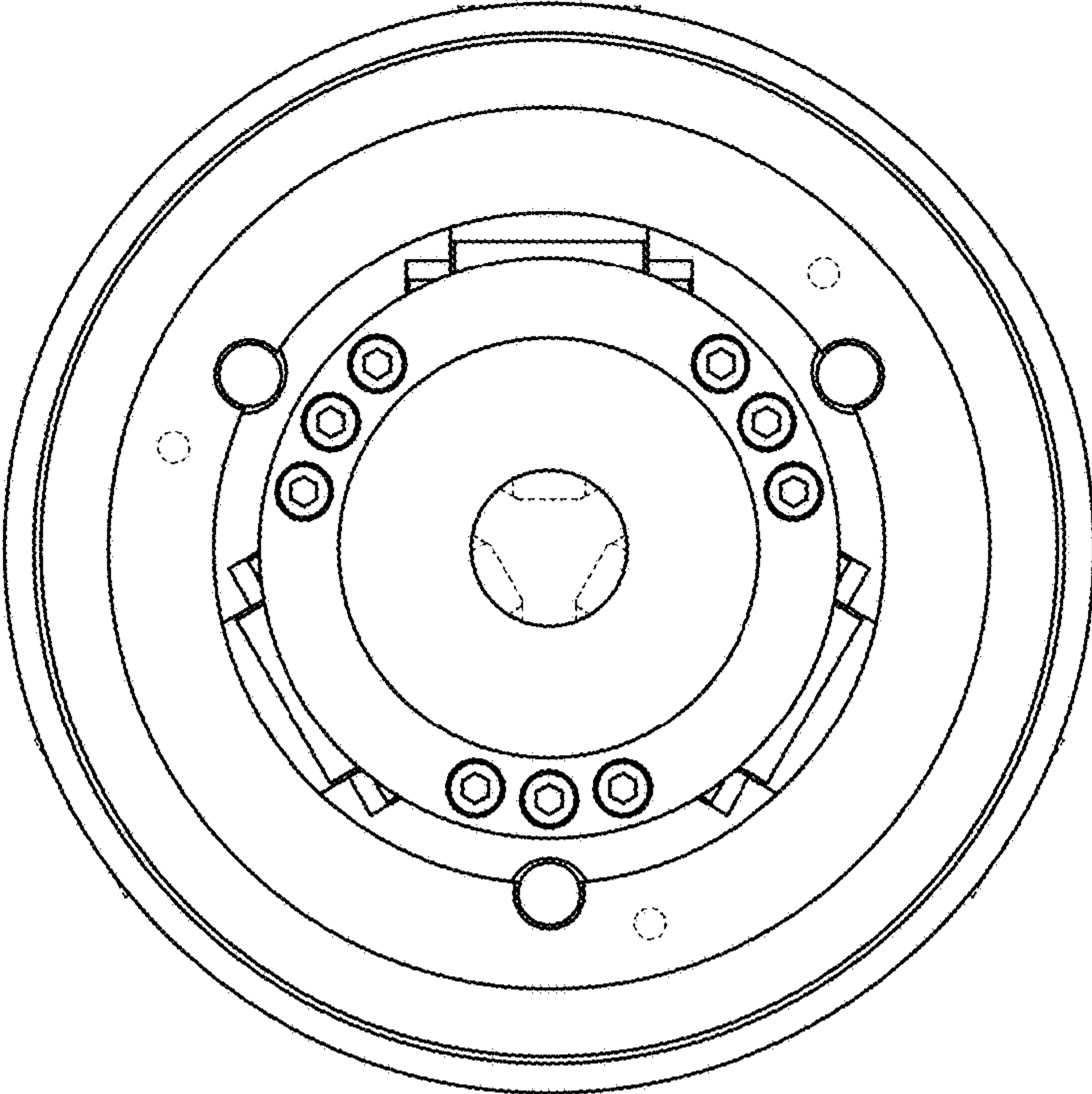


FIG.5

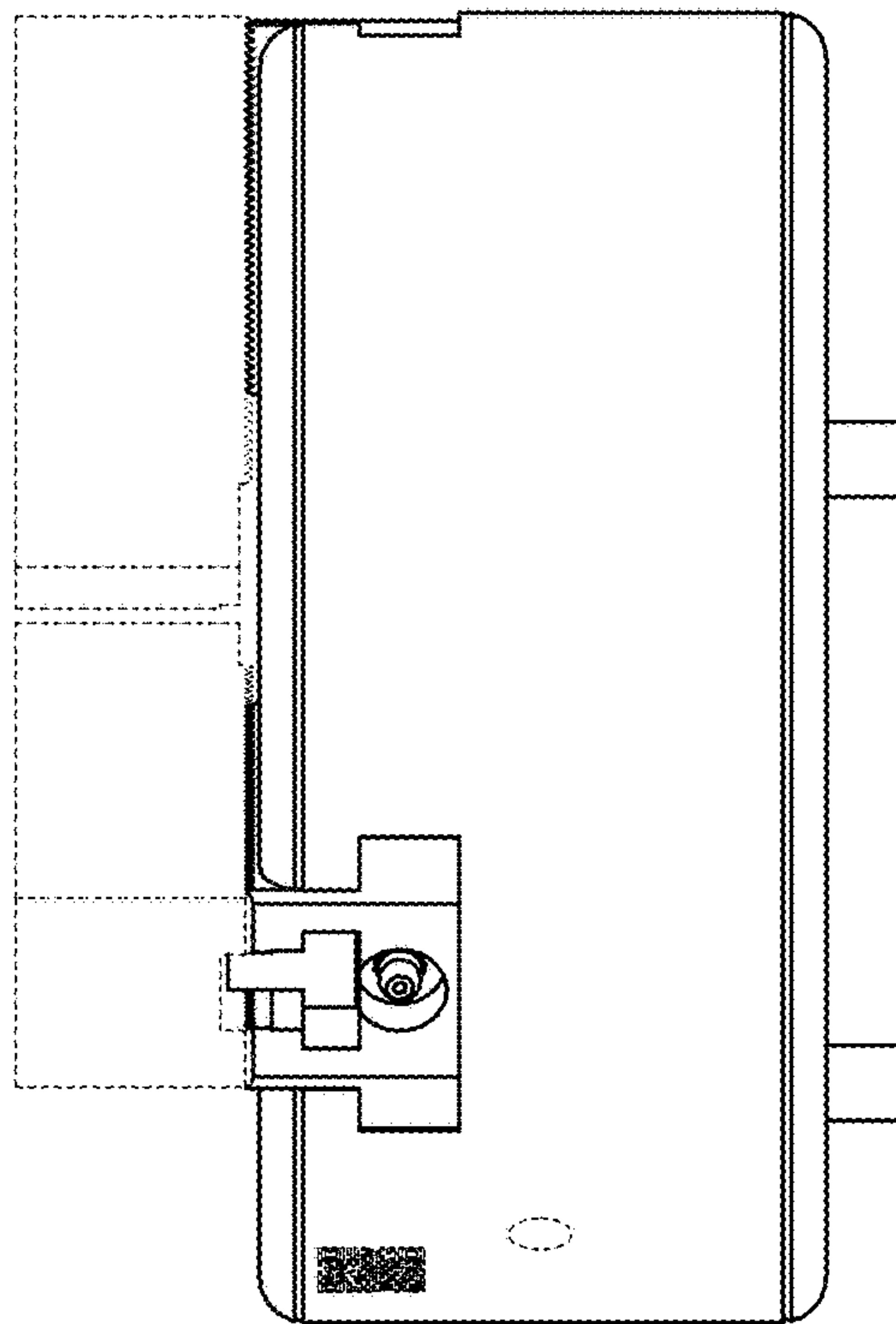


FIG.6

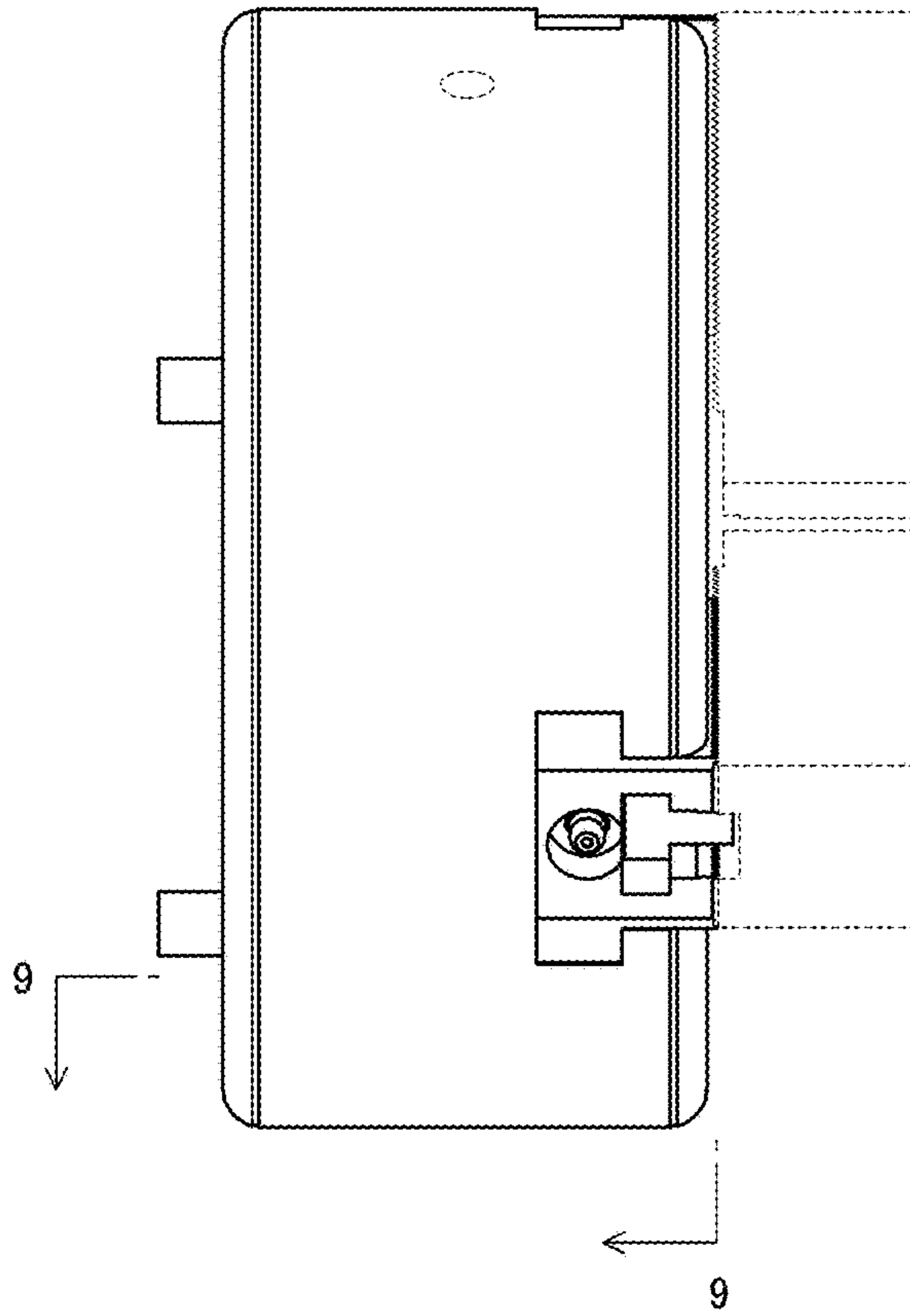


FIG.7

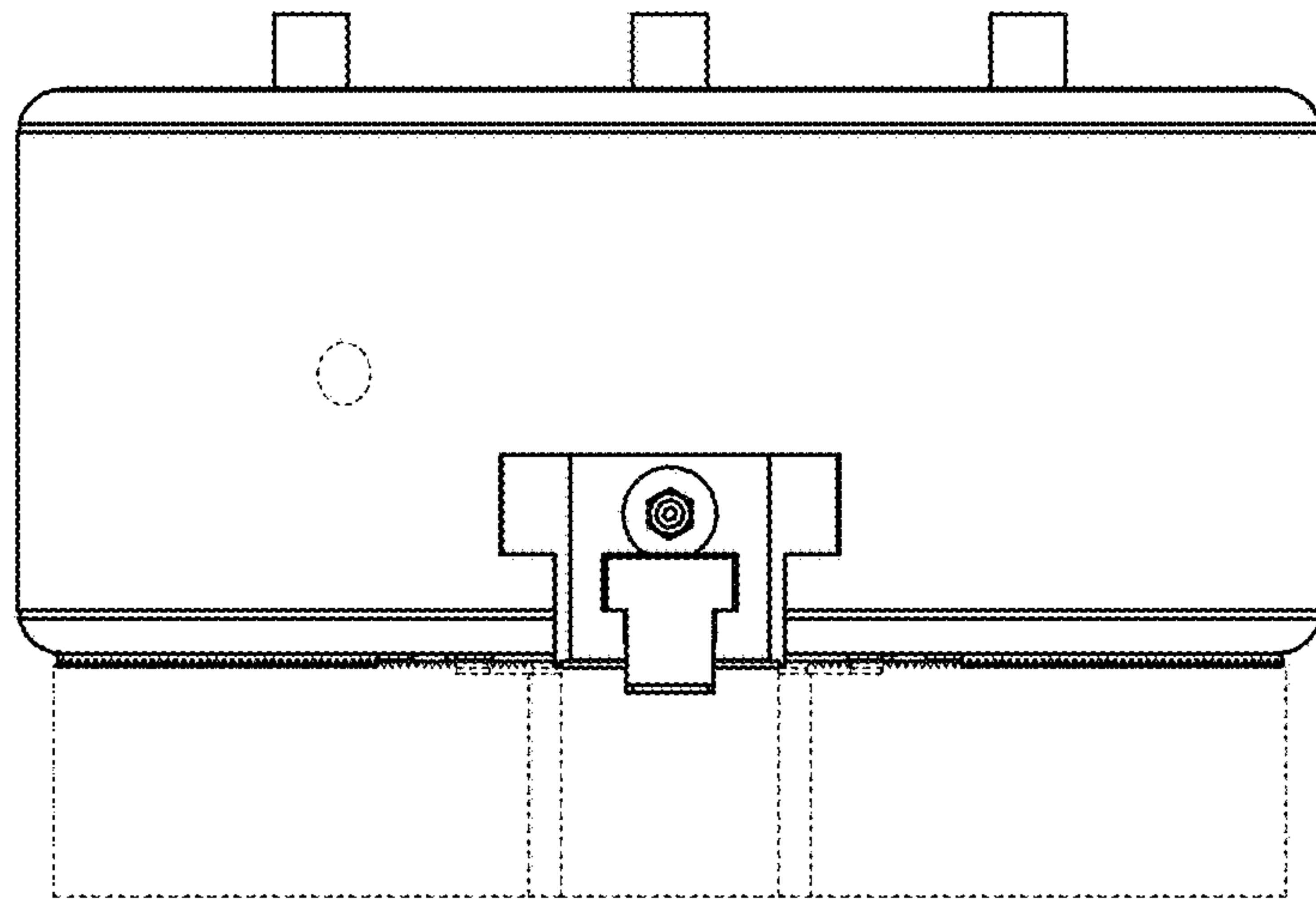




FIG.8

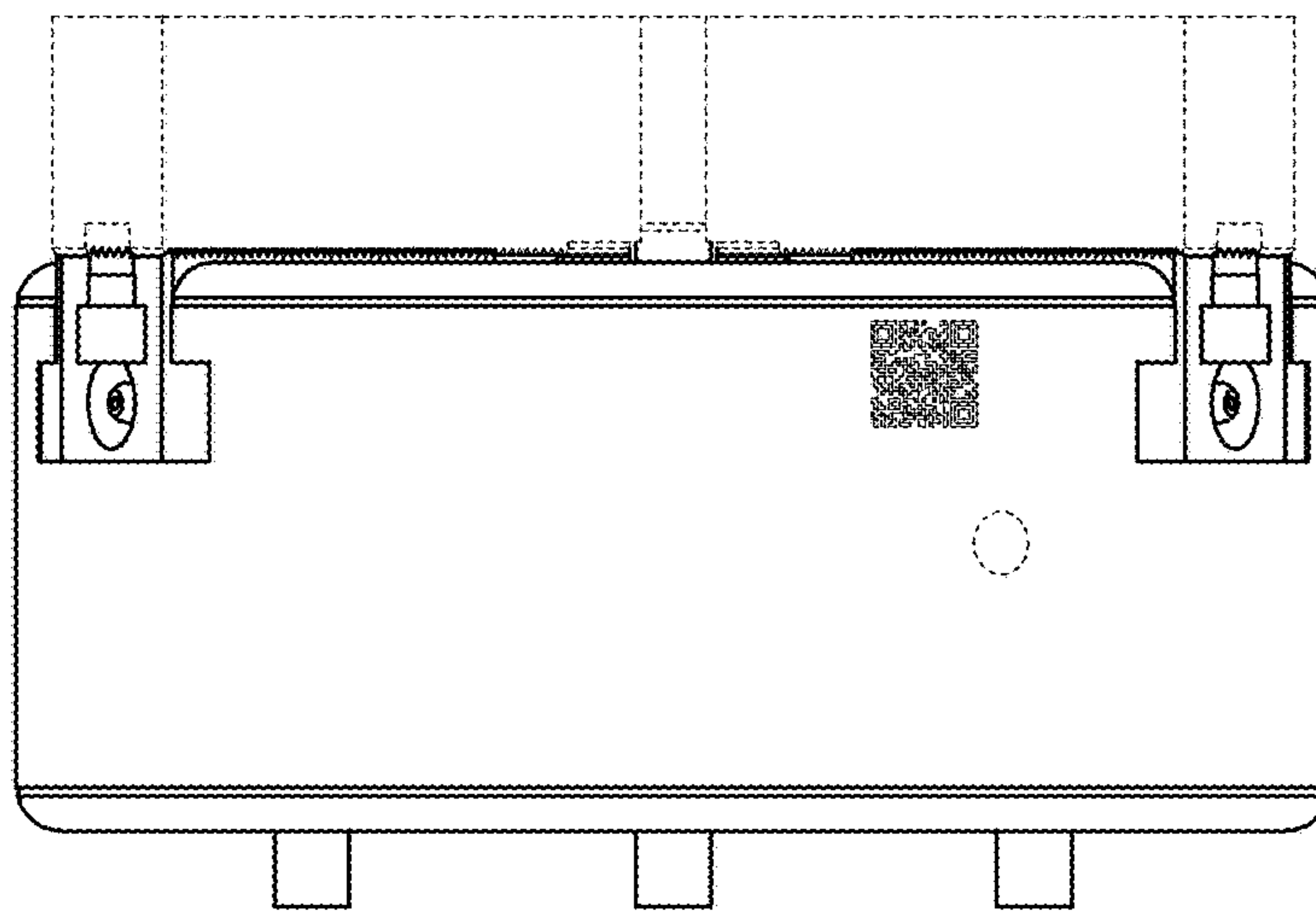


FIG.9



FIG.10

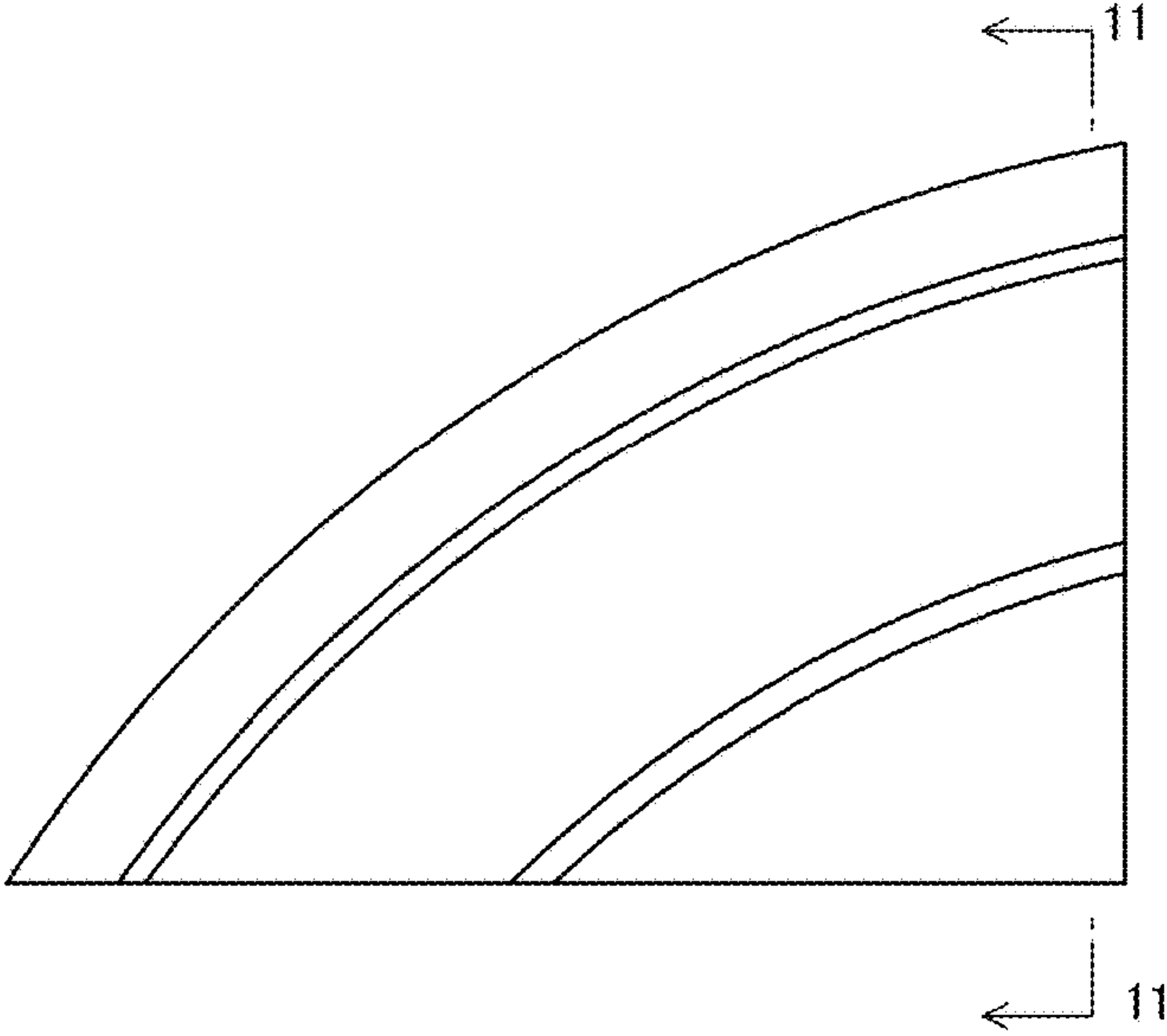


FIG.11

