



US00D859478S

(12) **United States Design Patent**  
**West et al.**

(10) **Patent No.:** **US D859,478 S**

(45) **Date of Patent:** **\*\* Sep. 10, 2019**

- (54) **RULER FOOT**
- (71) Applicant: **Westalee Design Pty Ltd**, Mount Evelyn (AU)
- (72) Inventors: **William West**, Mount Evelyn (AU); **Leonie West**, Mount Evelyn (AU)
- (73) Assignee: **Westalee Design Pty Ltd**, Mount Evelyn (AU)

- 2,487,285 A \* 11/1949 Voigt ..... D05B 29/06  
112/151
- 2,505,402 A \* 4/1950 Ingwer ..... D05B 29/12  
112/151
- 2,741,200 A \* 4/1956 Smith ..... D05B 29/06  
112/235
- 2,878,765 A \* 3/1959 Gegauf ..... D05B 29/12  
112/227
- 2,948,242 A \* 8/1960 Shuman ..... D05B 29/10  
112/235

(Continued)

(\*\*) Term: **15 Years**

**OTHER PUBLICATIONS**

(21) Appl. No.: **29/634,046**

Westalee Design, Welcome to Westalee Design, <https://web.archive.org/web/20170204172204/http://westalee.com.au>, Feb. 4, 2017.

(22) Filed: **Jan. 18, 2018**

(Continued)

(30) **Foreign Application Priority Data**

Aug. 21, 2017 (AU) ..... 201714920

(51) **LOC (12) Cl.** ..... **15-06**

(52) **U.S. Cl.**  
USPC ..... **D15/72**

(58) **Field of Classification Search**  
USPC ..... D15/66-78  
CPC ..... D05B 29/00-29/12; D05B 1/00-25/00  
See application file for complete search history.

*Primary Examiner* — Mitchell I. Siegel

(74) *Attorney, Agent, or Firm* — Steven N. Fox, Esq.

(57) **CLAIM**

The ornamental design for a ruler foot, as shown and described.

**DESCRIPTION**

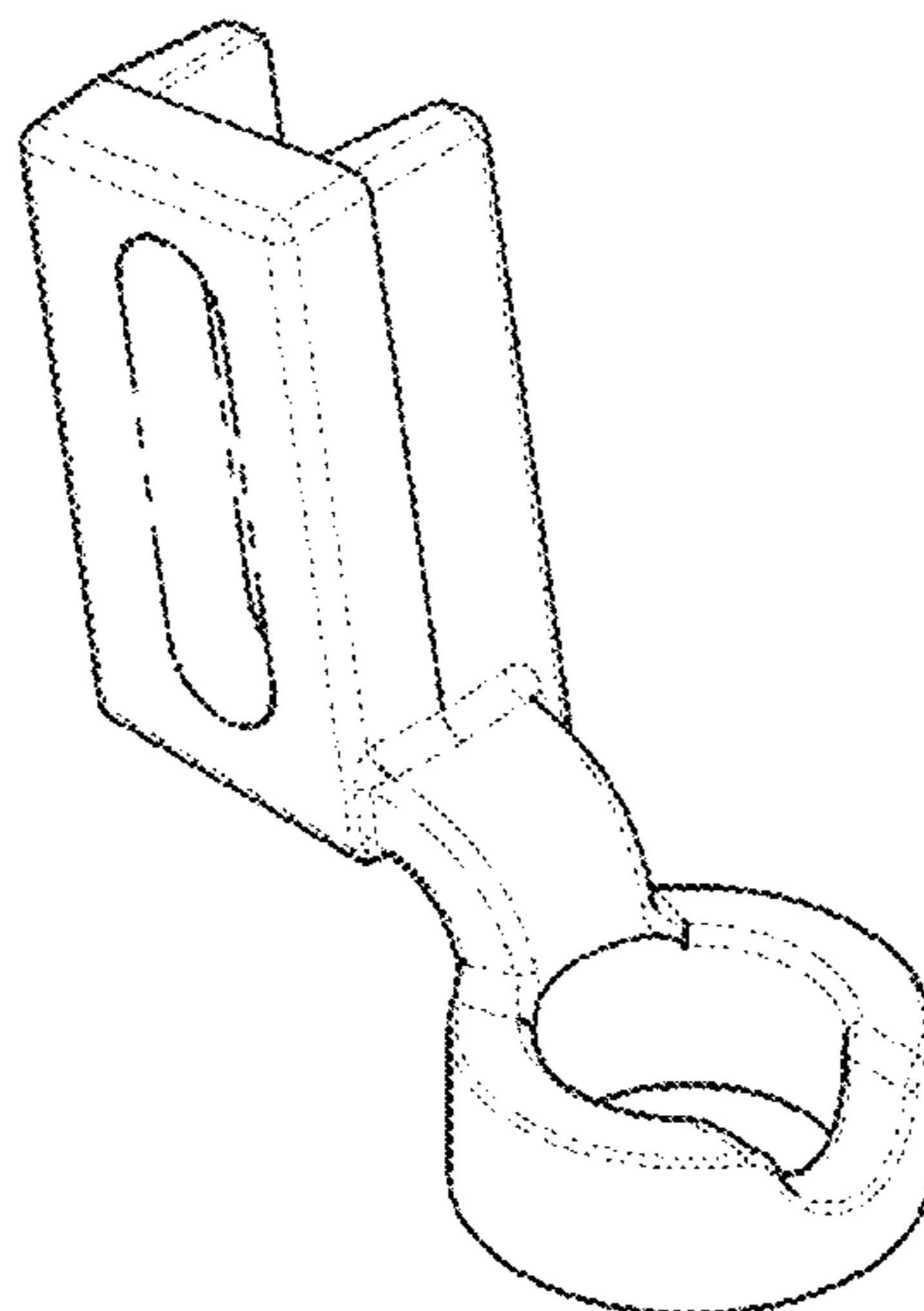
FIG. 1 is a perspective left side view of a ruler foot according to the present invention;  
FIG. 2 is a perspective right side view of the ruler foot;  
FIG. 3 is a left side view thereof;  
FIG. 4 is a right side view thereof;  
FIG. 5 is a top view thereof;  
FIG. 6 is a bottom view thereof;  
FIG. 7 is a front view thereof;  
FIG. 8 is a rear view thereof; and,  
FIG. 9 is a top view taken from line 9-9 of FIG. 3.  
The dash-dot-dot-dash lines on the drawings are included as boundary lines and form no part of the claimed design.

**1 Claim, 9 Drawing Sheets**

(56) **References Cited**

**U.S. PATENT DOCUMENTS**

- 31,646 A \* 3/1861 Moulson ..... D05B 29/06  
112/235
- 948,683 A \* 2/1910 Ellis ..... D05B 29/02  
112/236
- 954,990 A \* 4/1910 Noble ..... D05B 29/06  
112/235
- 2,288,051 A \* 6/1942 Voigt ..... D05B 29/00  
112/235
- 2,314,861 A \* 3/1943 Antonelli ..... D05B 29/00  
112/235
- 2,355,700 A \* 8/1944 Blewett ..... D05B 21/00  
112/236



(56)

References Cited

U.S. PATENT DOCUMENTS

3,094,089 A \* 6/1963 Shuman ..... D05B 29/10  
112/235  
3,098,460 A \* 7/1963 Yoshida ..... D05B 29/00  
112/235  
3,370,559 A \* 2/1968 Longcore ..... D05B 29/08  
112/151  
3,374,759 A \* 3/1968 Longcore ..... D05B 29/08  
112/151  
3,796,173 A \* 3/1974 Godsen ..... D05B 29/00  
112/235  
3,823,679 A \* 7/1974 Meier ..... D05B 29/06  
112/235  
3,901,170 A \* 8/1975 Takamatsu ..... D05B 29/06  
112/235  
4,876,974 A \* 10/1989 Ando ..... D05B 29/08  
112/240  
5,007,358 A \* 4/1991 Kawakubo ..... D05B 29/06  
112/235  
5,515,797 A \* 5/1996 Janouschek ..... D05B 29/08  
112/235  
D397,698 S \* 9/1998 Rendahl ..... D15/72  
D450,724 S \* 11/2001 Kawaguchi ..... D15/72  
6,634,308 B1 \* 10/2003 Martin ..... D05B 29/08  
112/235

D508,501 S \* 8/2005 Kawaguchi ..... D15/72  
D509,229 S \* 9/2005 Kawaguchi ..... D15/72  
D514,135 S \* 1/2006 Kawaguchi ..... D15/72  
D515,112 S \* 2/2006 Kawaguchi ..... D15/72  
D515,594 S \* 2/2006 Kawaguchi ..... D15/72  
9,228,280 B2 \* 1/2016 Bland ..... D05B 97/02  
9,279,204 B2 \* 3/2016 Tomizawa ..... D05B 29/06  
D835,686 S \* 12/2018 Zieman ..... D15/72

OTHER PUBLICATIONS

Westalee Design, Free Motion Ruler Work for Domestic Machines, <http://www.westalee.com.au/domestic.php>, Feb. 17, 2017.  
Westalee Design, Westalee Ruler Foot for Domestic Machines, <http://www.youtube.com/watch?v=mNSZce9hKEc>, Jan. 1, 2015.  
Punch With Judy, Westalee Design, [https://www.facebook.com/search/str/westalee+ruler+foot/keywords\\_search](https://www.facebook.com/search/str/westalee+ruler+foot/keywords_search), Dec. 31, 2014.  
Judy Hall, Westalee Ruler Foot Block Challenge, <http://punchwithjudy.blogspot.com.au/2015/12/westalee-ruler-foot-block-challenge.html>, Dec. 1, 2015.  
Avonleigh Country Quilting, Westalee are doing it again! You Can quilt stunning free motion designs on your domestic sewing machine . . . see how!, [http://avonleighcountryquilting.typepad.com/avonleigh\\_country\\_quiltin/westalee/](http://avonleighcountryquilting.typepad.com/avonleigh_country_quiltin/westalee/), Jan. 12, 2015.

\* cited by examiner

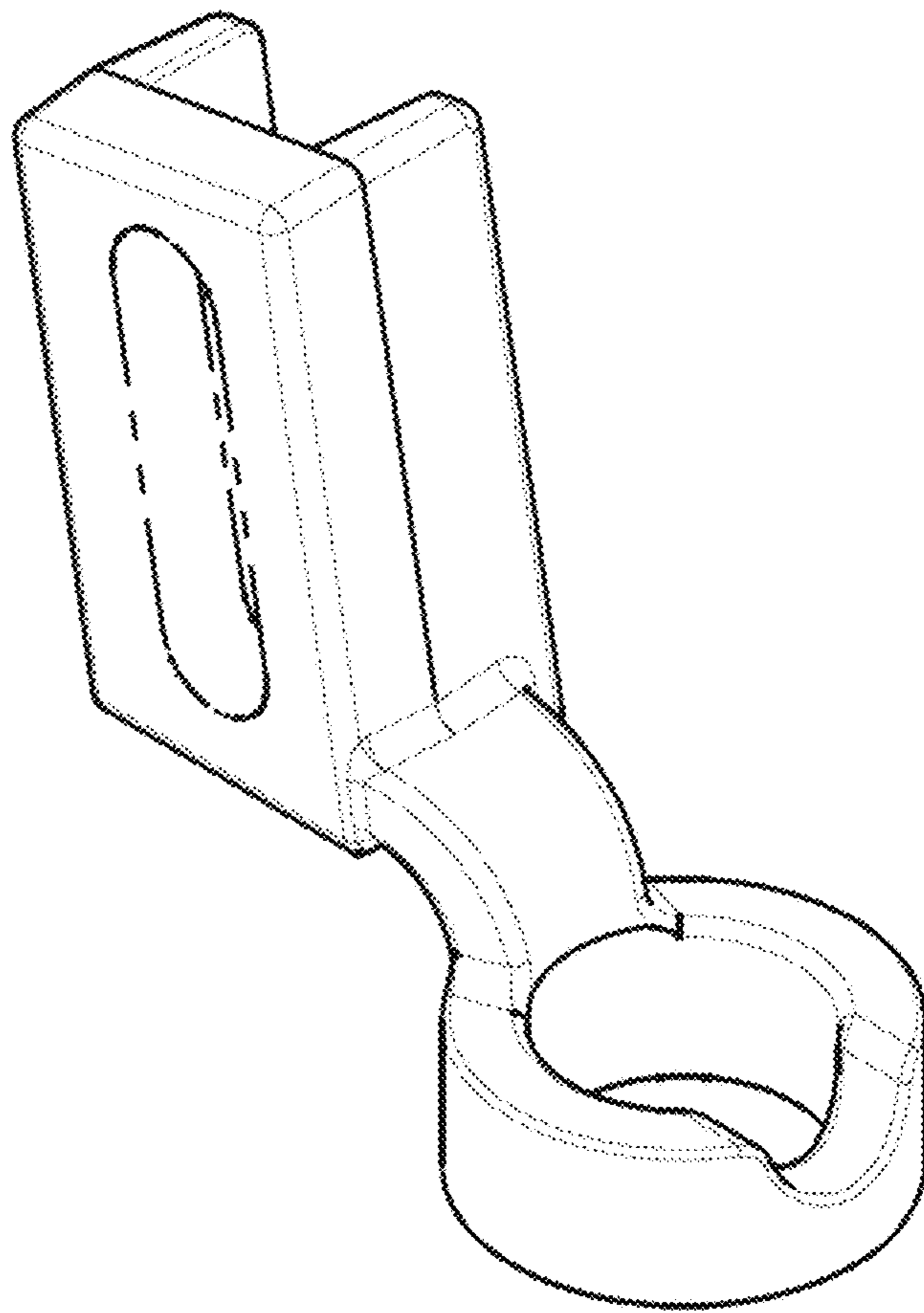


FIGURE 1

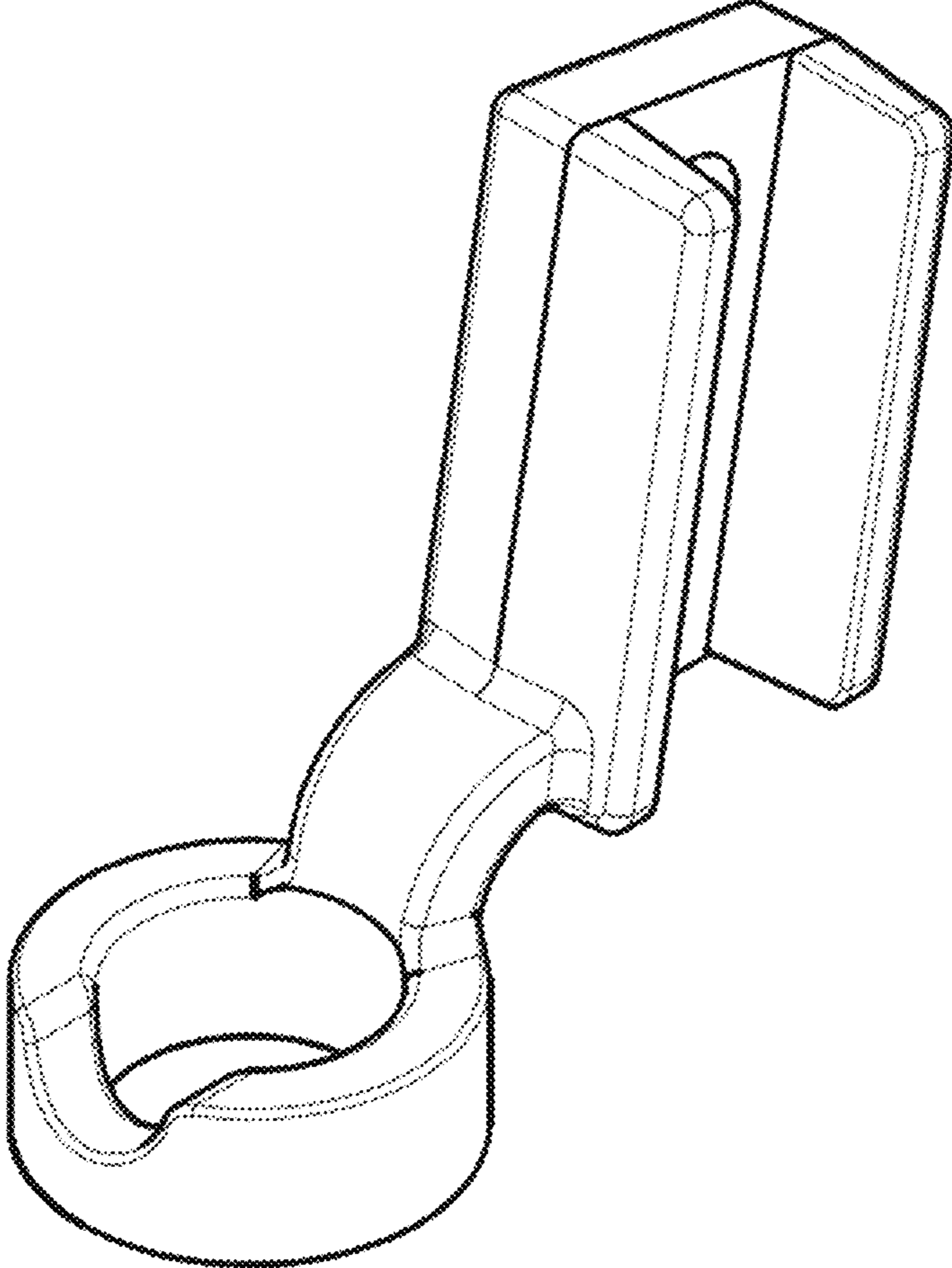


FIGURE 2

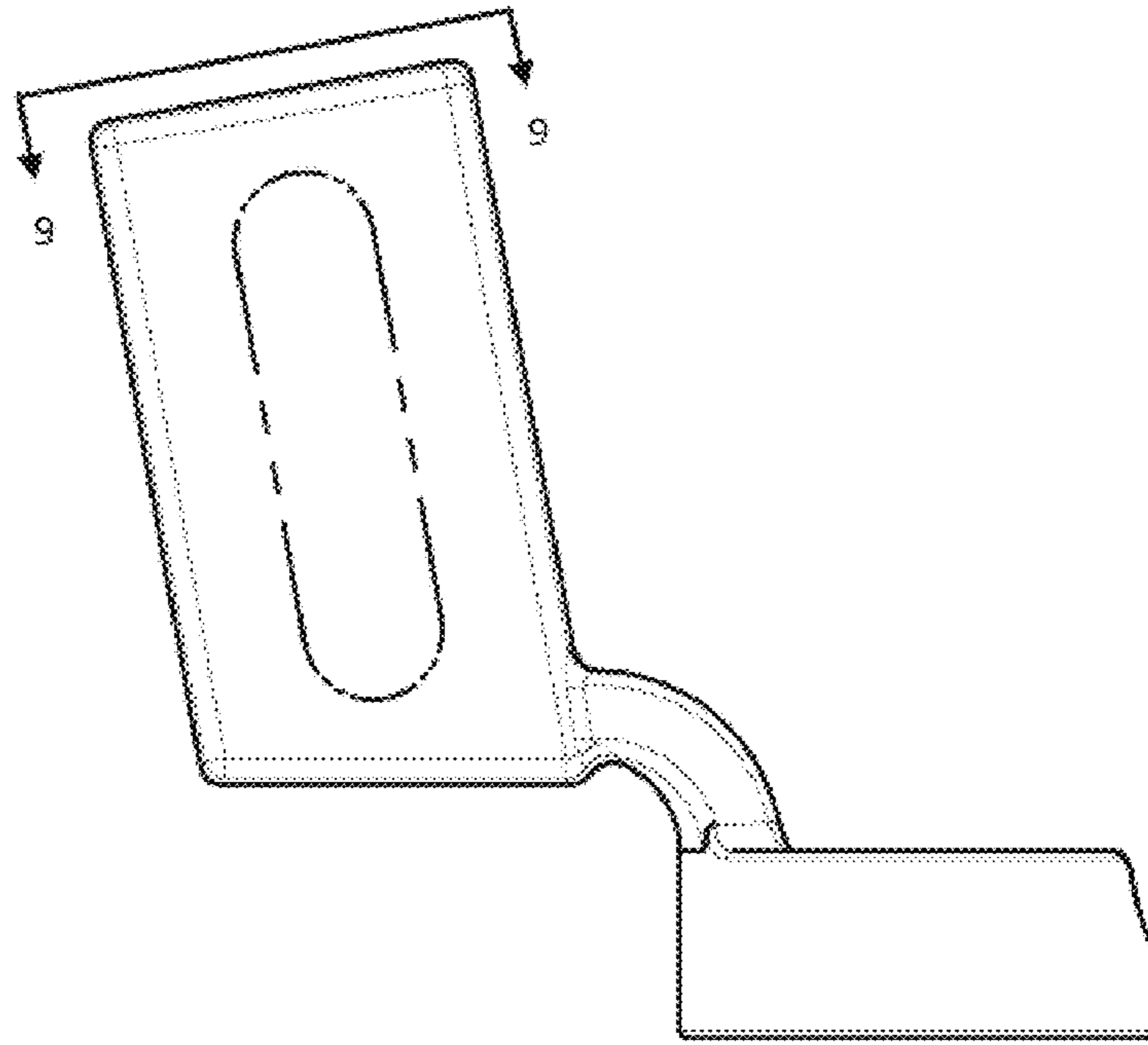


FIGURE 3



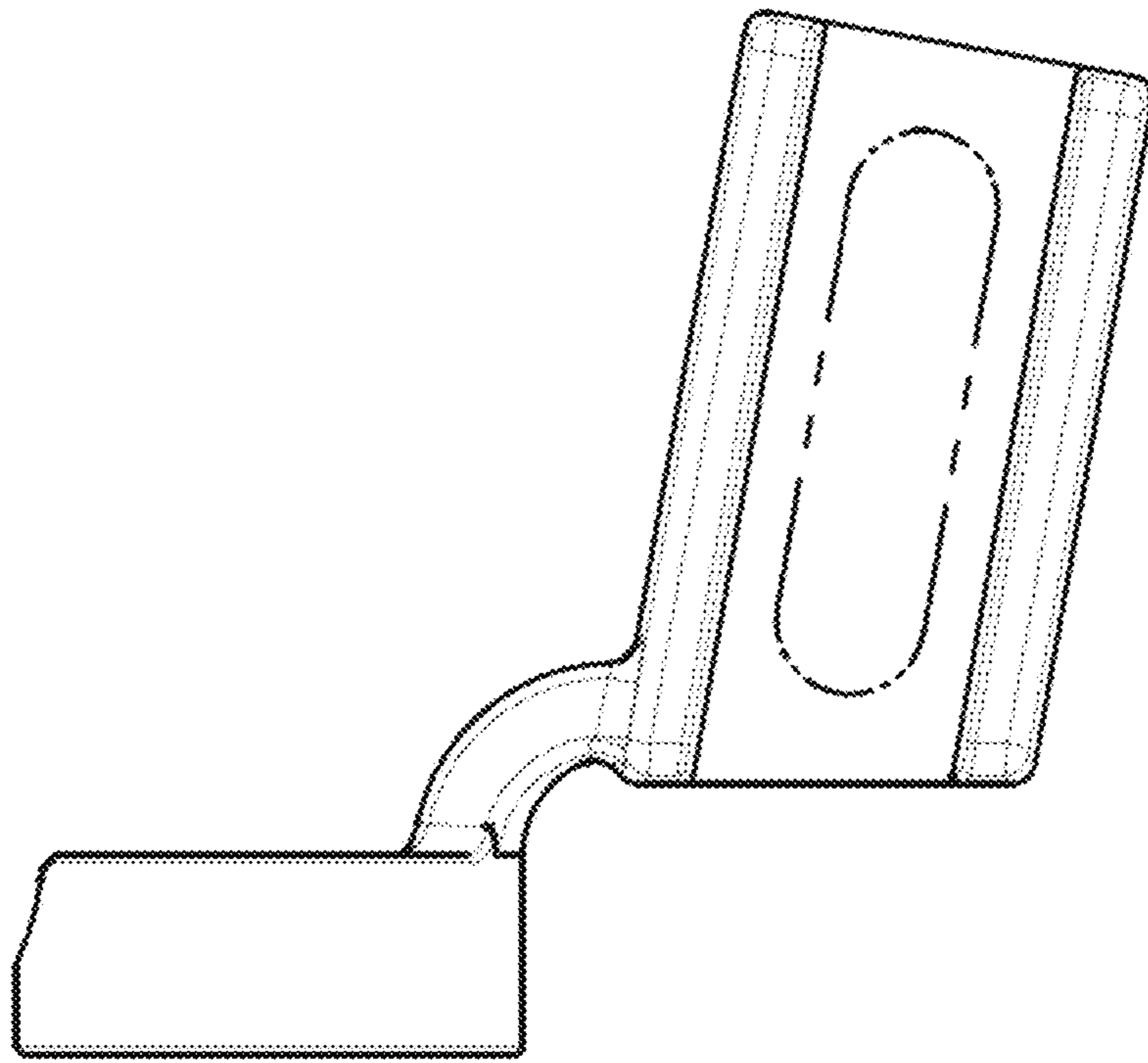


FIGURE 4

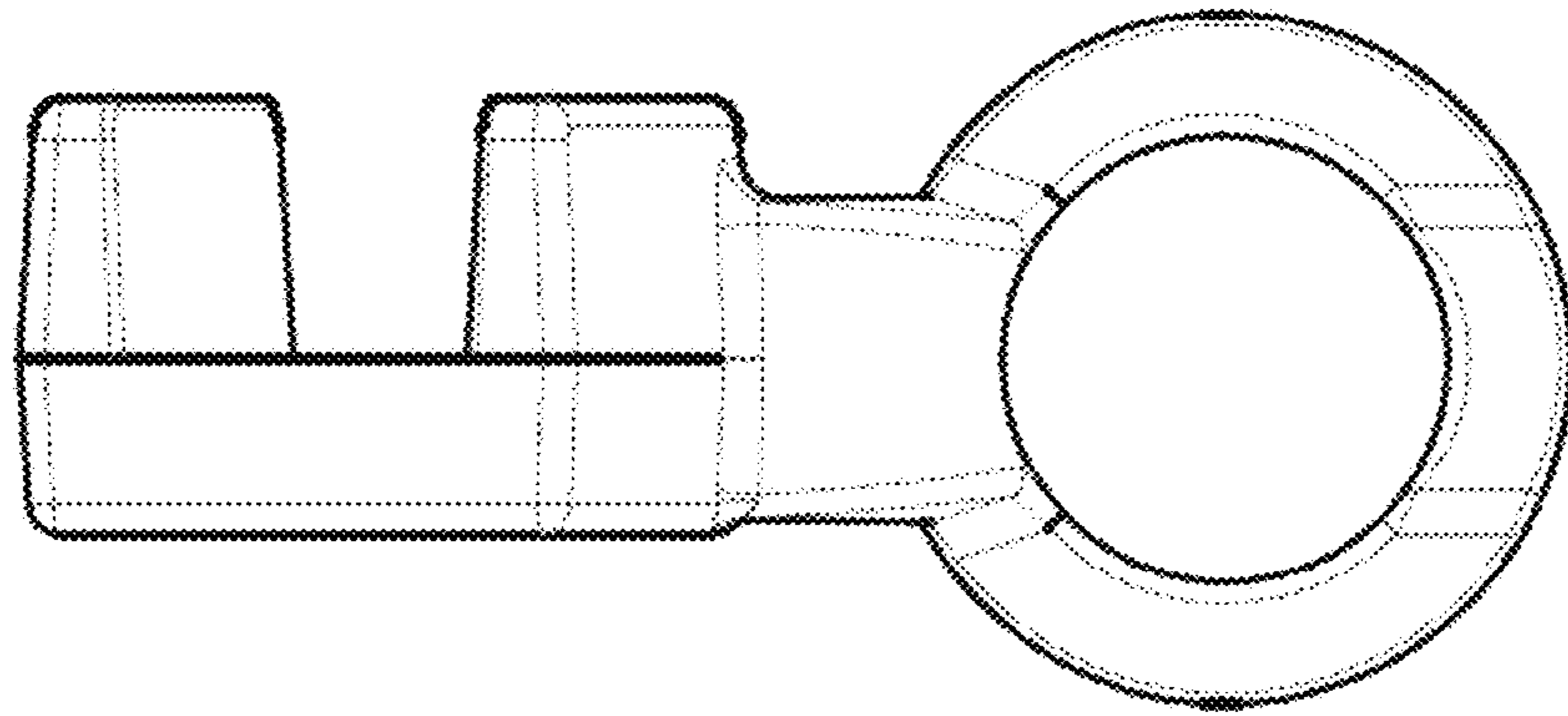


FIGURE 5

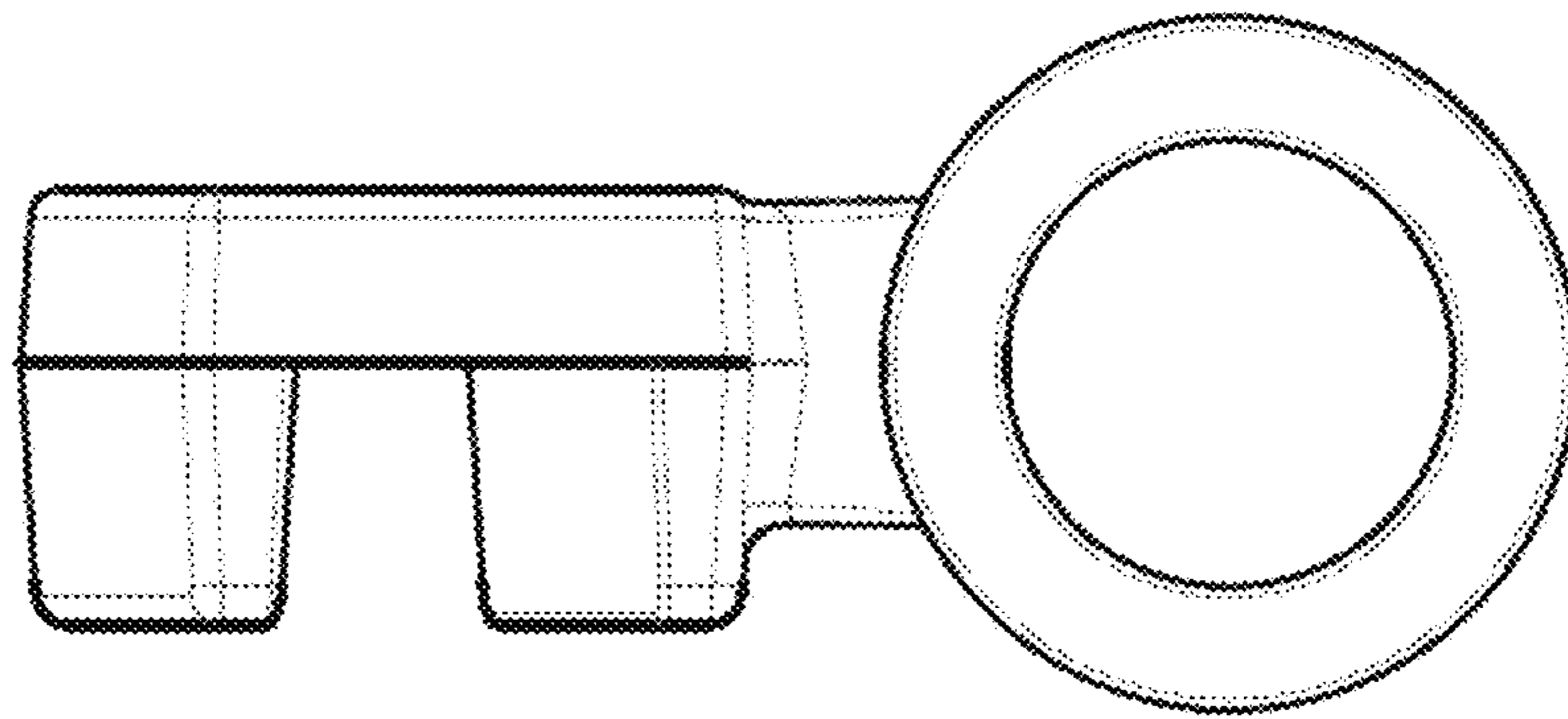


FIGURE 6



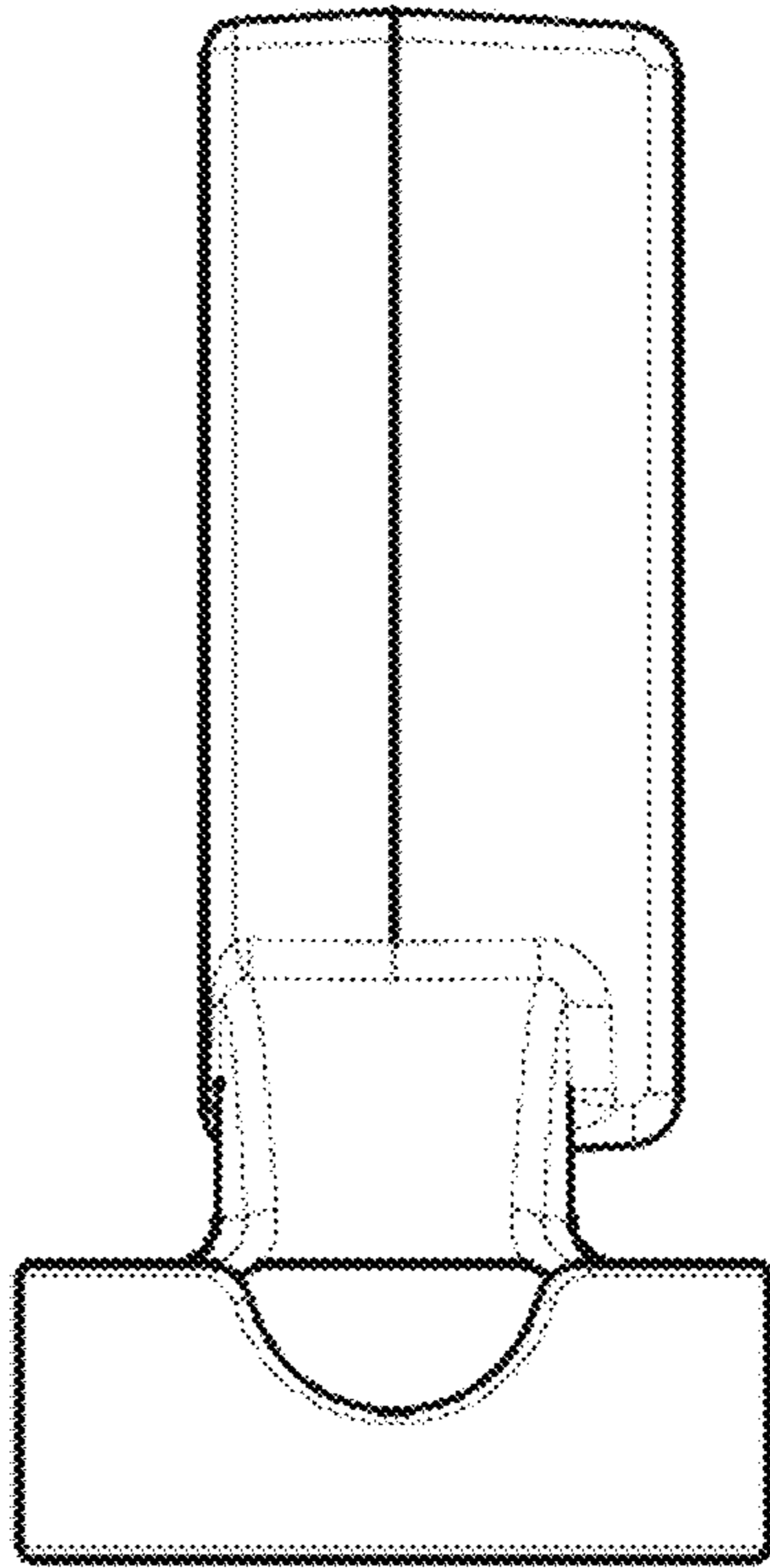


FIGURE 7

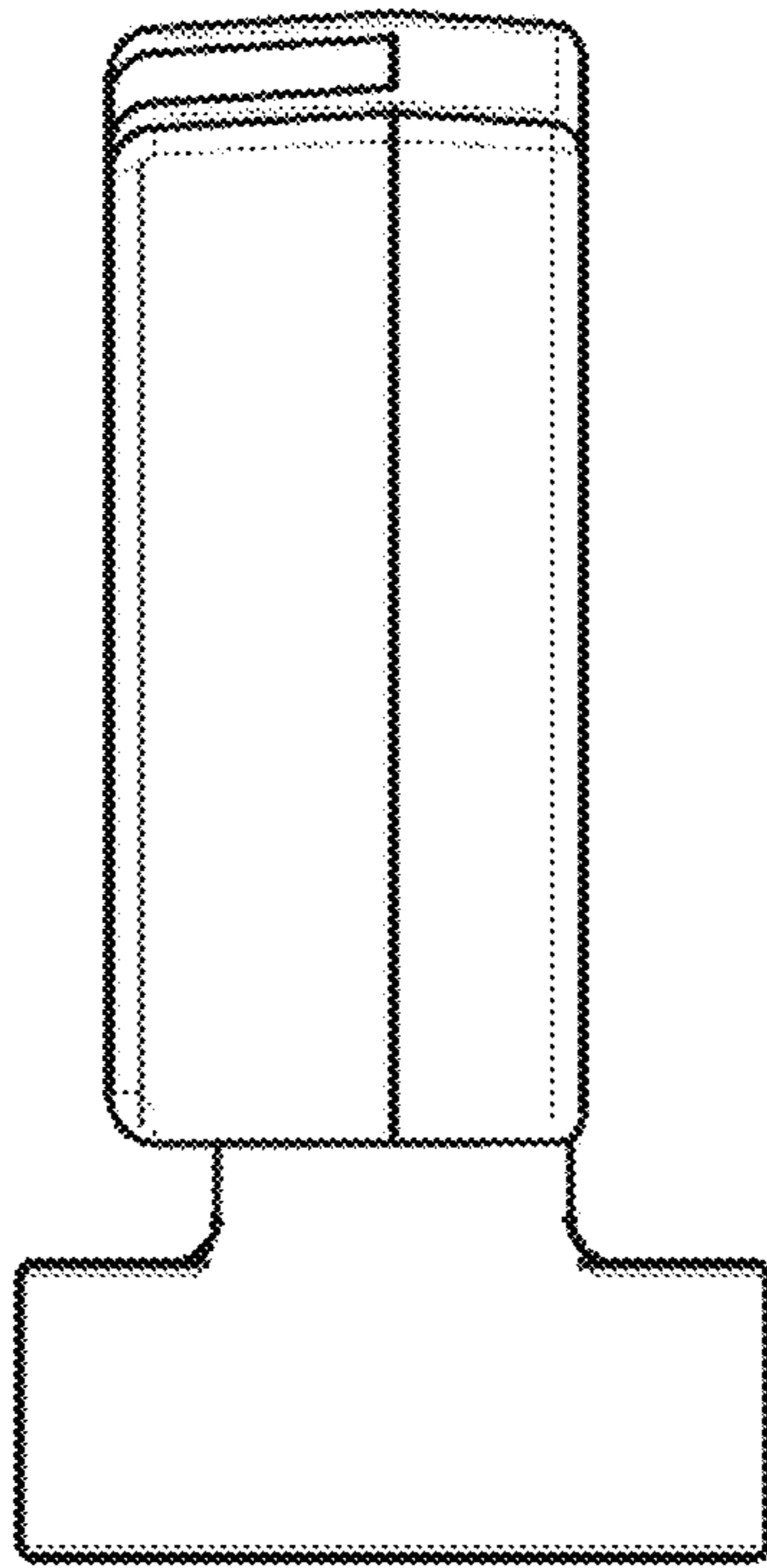


FIGURE 8

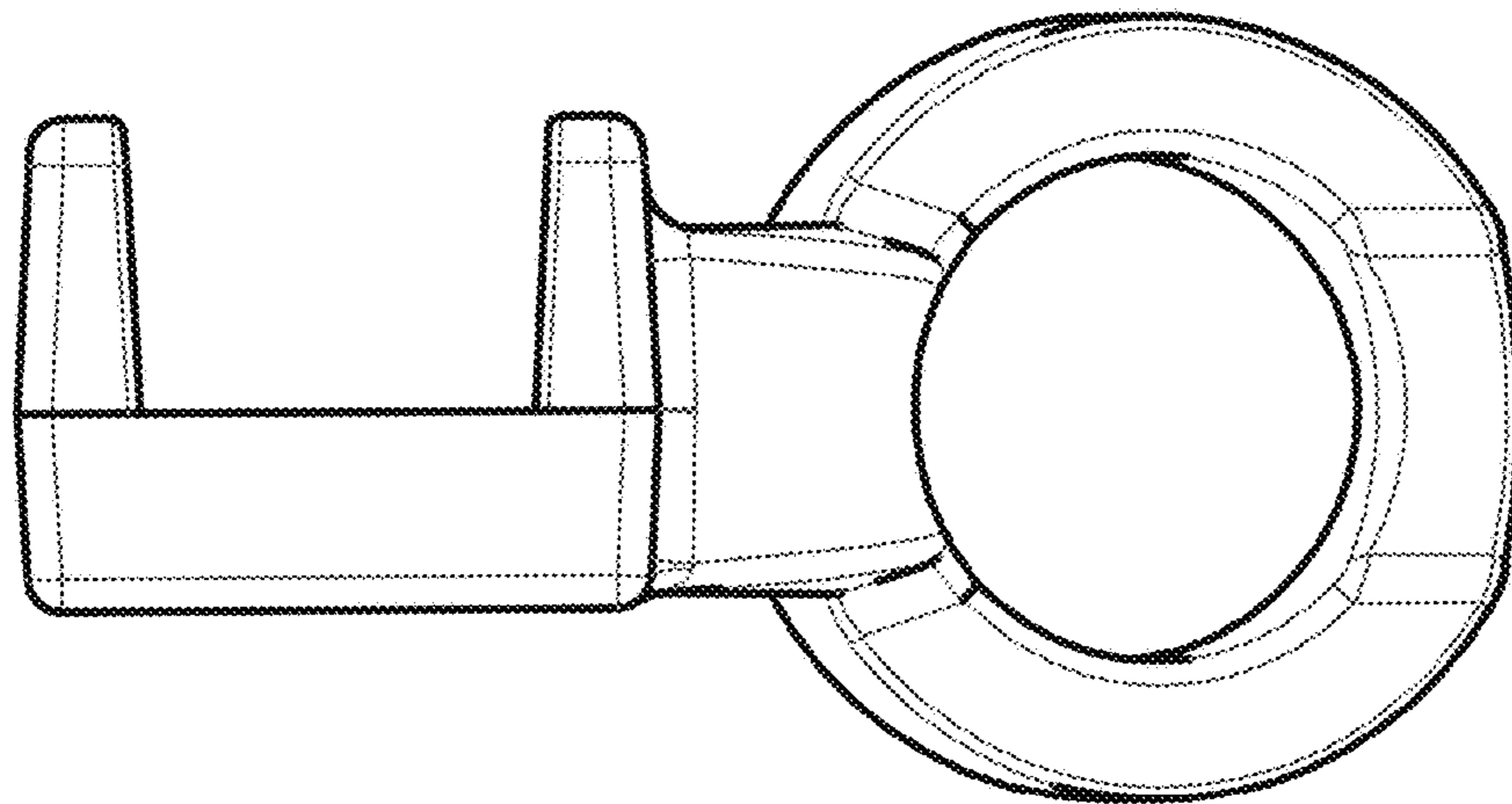


FIGURE 9