



US00D859474S

(12) **United States Design Patent** (10) **Patent No.:** **US D859,474 S**
Tiefenthaler (45) **Date of Patent:** **** Sep. 10, 2019**

(54) **ENGINE** D579,026 S 10/2008 Busschaert
D583,829 S 12/2008 Fan
(71) Applicant: **Briggs & Stratton Corporation,** D584,745 S 1/2009 Wei et al.
Wauwatosa, WI (US) D595,737 S 7/2009 Neeley et al.
D610,163 S 2/2010 Wood
(72) Inventor: **Carl T. Tiefenthaler,** Jackson, WI (US) D612,402 S 3/2010 Dai et al.
D619,620 S 7/2010 Mayer et al.
D628,597 S 12/2010 Dai et al.
(73) Assignee: **Briggs & Stratton Corporation,** D634,333 S 3/2011 Johnson et al.
Wauwatosa, WI (US) D638,444 S 5/2011 He et al.
8,002,863 B2* 8/2011 Kubo F02M 35/024
123/198 E
(**) Term: **15 Years** D647,536 S 10/2011 Tiefenthaler
D663,322 S 7/2012 Sullivan et al.
(21) Appl. No.: **29/662,724** D667,463 S 9/2012 Tiefenthaler
D667,464 S 9/2012 Tiefenthaler
(22) Filed: **Sep. 7, 2018** (Continued)

Related U.S. Application Data

(63) Continuation of application No. 29/619,689, filed on Sep. 29, 2017, now Pat. No. Des. 829,769.
(51) **LOC (12) Cl.** **15-01**
(52) **U.S. Cl.**
USPC **D15/5**
(58) **Field of Classification Search**
USPC D15/1, 2, 3, 4, 5
CPC ... F01P 5/02; F01P 1/02; F02B 75/007; F02B 77/02; F02B 2700/03; F02B 75/16; F02B 63/00; F02B 63/02; F02F 1/34
See application file for complete search history.

References Cited

U.S. PATENT DOCUMENTS

D282,071 S 1/1986 Nakamura
D515,589 S 2/2006 Lin et al.
D516,580 S 3/2006 Li
D529,046 S 9/2006 Maeda et al.
D529,514 S 10/2006 Maeda et al.
D529,925 S 10/2006 Strandell et al.
D536,004 S 1/2007 Ryczek et al.
D552,128 S 10/2007 Li

Primary Examiner — Michelle E. Wilson
Assistant Examiner — Ania Aman
(74) *Attorney, Agent, or Firm* — Foley & Lardner LLP

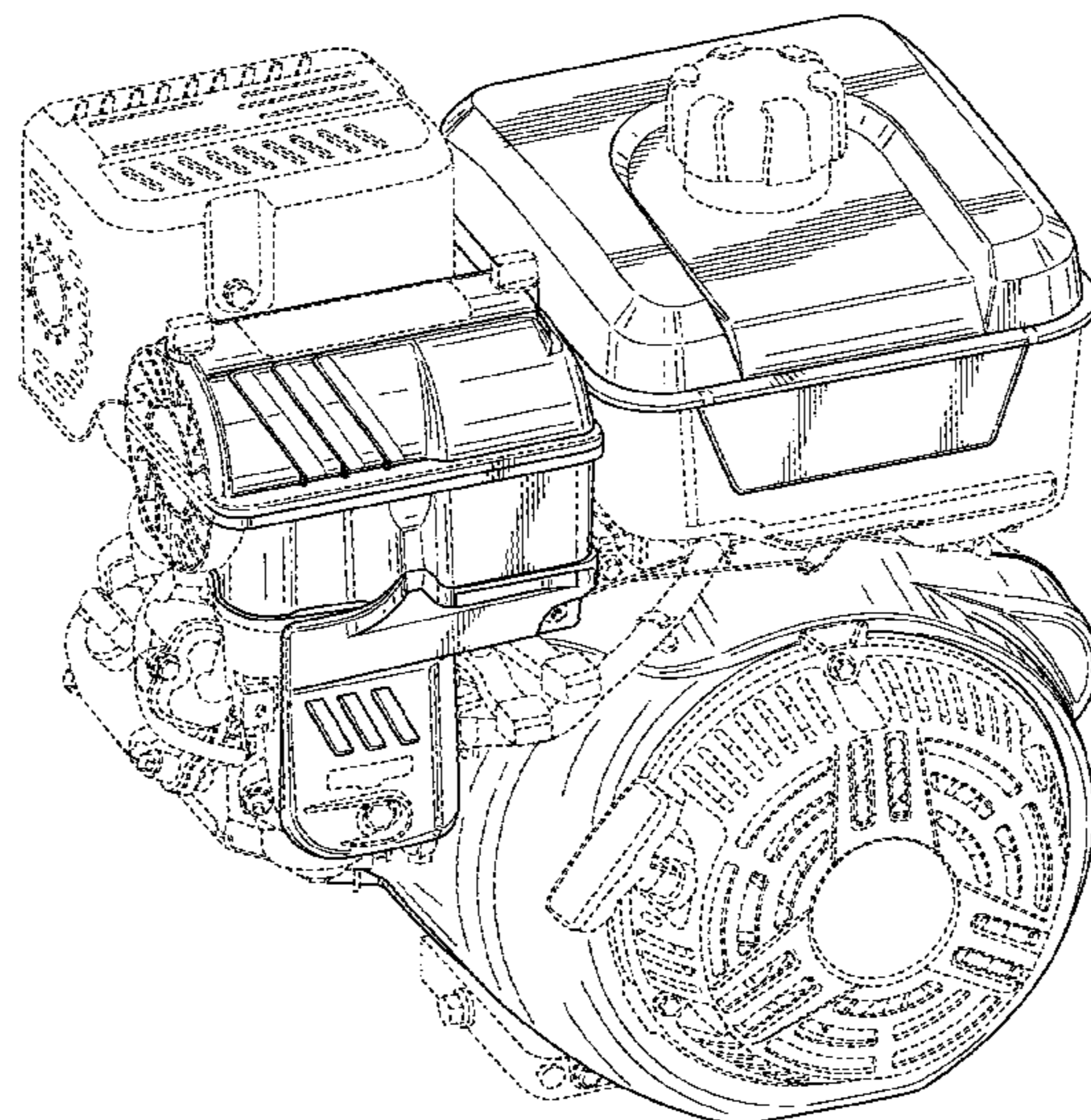
(57) **CLAIM**

I claim the ornamental design for an engine, as shown and described.

DESCRIPTION

FIG. 1 is a front-left perspective view from above of an engine;
FIG. 2 is a front-right perspective view from below of the claimed design of FIG. 1;
FIG. 3 is a front view of the claimed design of FIG. 1;
FIG. 4 is a rear view of the claimed design of FIG. 1;
FIG. 5 is a left side view of the claimed design of FIG. 1;
FIG. 6 is a right side view of the claimed design of FIG. 1;
FIG. 7 is a top view of the claimed design of FIG. 1; and,
FIG. 8 is a bottom view of the claimed design of FIG. 1.
Any portion of the article depicted in broken lines forms no part of the claimed design.

1 Claim, 8 Drawing Sheets



(56)

References Cited

U.S. PATENT DOCUMENTS

D668,264	S	10/2012	Tiefenthaler	
D671,559	S	11/2012	Martinek et al.	
D671,958	S	12/2012	Wu et al.	
D673,980	S	1/2013	Tiefenthaler	
D679,289	S	4/2013	Tiefenthaler	
D689,522	S	9/2013	Johnson et al.	
D691,177	S	10/2013	Tiefenthaler	
D695,317	S	12/2013	Yano et al.	
D709,522	S	7/2014	Yano et al.	
D709,523	S	7/2014	Nonaka et al.	
D723,062	S	2/2015	Isono	
RE45,913	E	3/2016	Giddens	
D751,118	S	3/2016	Suzuki et al.	
D771,143	S	11/2016	Yu et al.	
D823,896	S *	7/2018	Yamamoto	D15/1
D836,136	S *	12/2018	Tiefenthaler	D15/5
2006/0266338	A1	11/2006	Kashima et al.	
2009/0038879	A1	2/2009	Sato et al.	
2009/0126678	A1 *	5/2009	Takeuchi	F02M 35/024 123/198 E
2009/0199793	A1	8/2009	Sato et al.	
2009/0230693	A1	9/2009	Yoshida et al.	
2009/0230695	A1	9/2009	Yoshida et al.	
2009/0302610	A1	12/2009	Kanai et al.	
2010/0180864	A1	7/2010	Maekawa et al.	
2012/0160194	A1	6/2012	Yano et al.	
2012/0210704	A1	8/2012	Kawase et al.	
2014/0338634	A1	11/2014	Mitchell et al.	
2015/0329007	A1	11/2015	Matsunaga et al.	
2016/0296869	A1	10/2016	Stark et al.	
2017/0276100	A1	9/2017	Kaufmann et al.	
2018/0008923	A1	1/2018	Burton et al.	

* cited by examiner

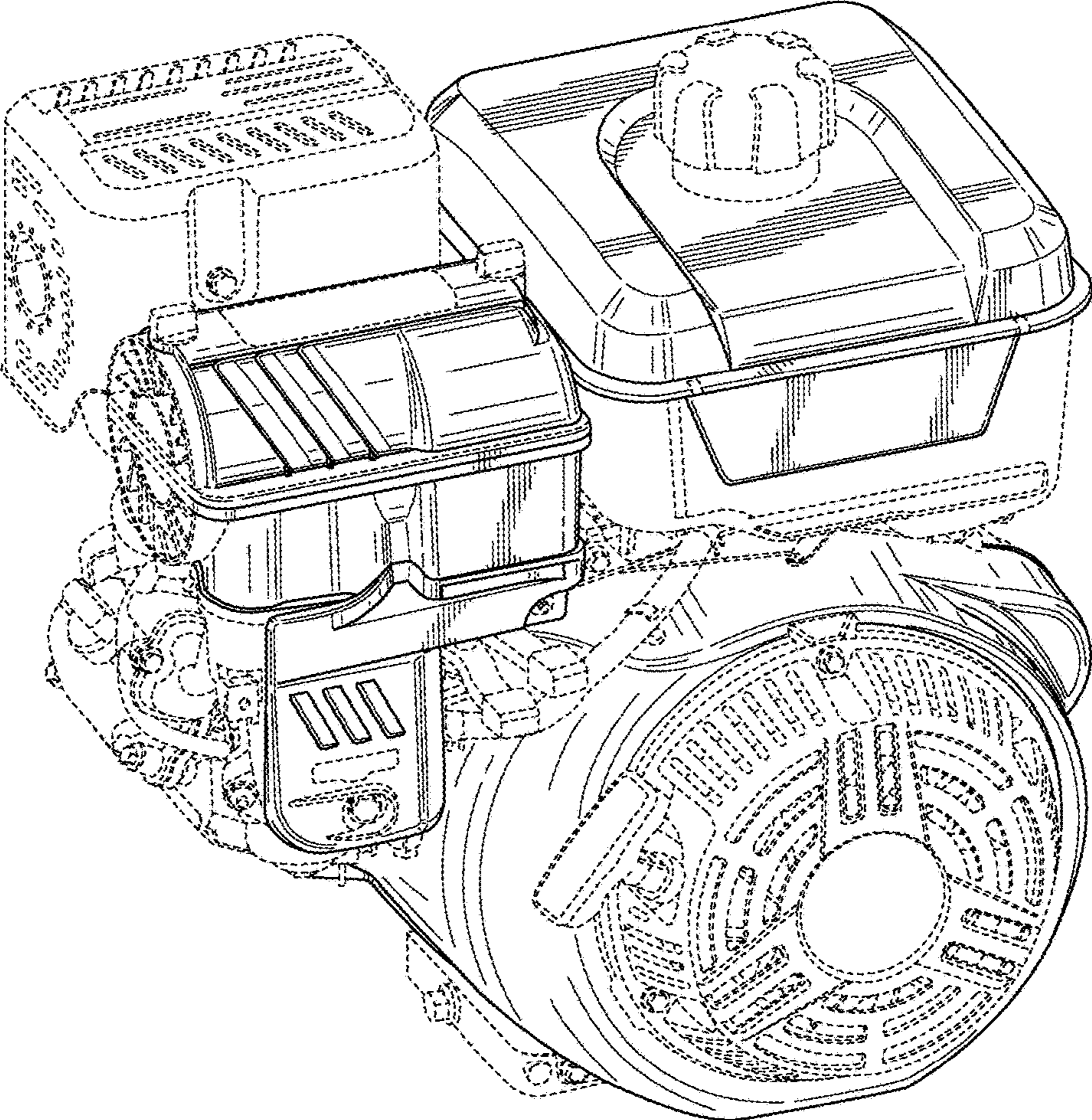


FIG. 1

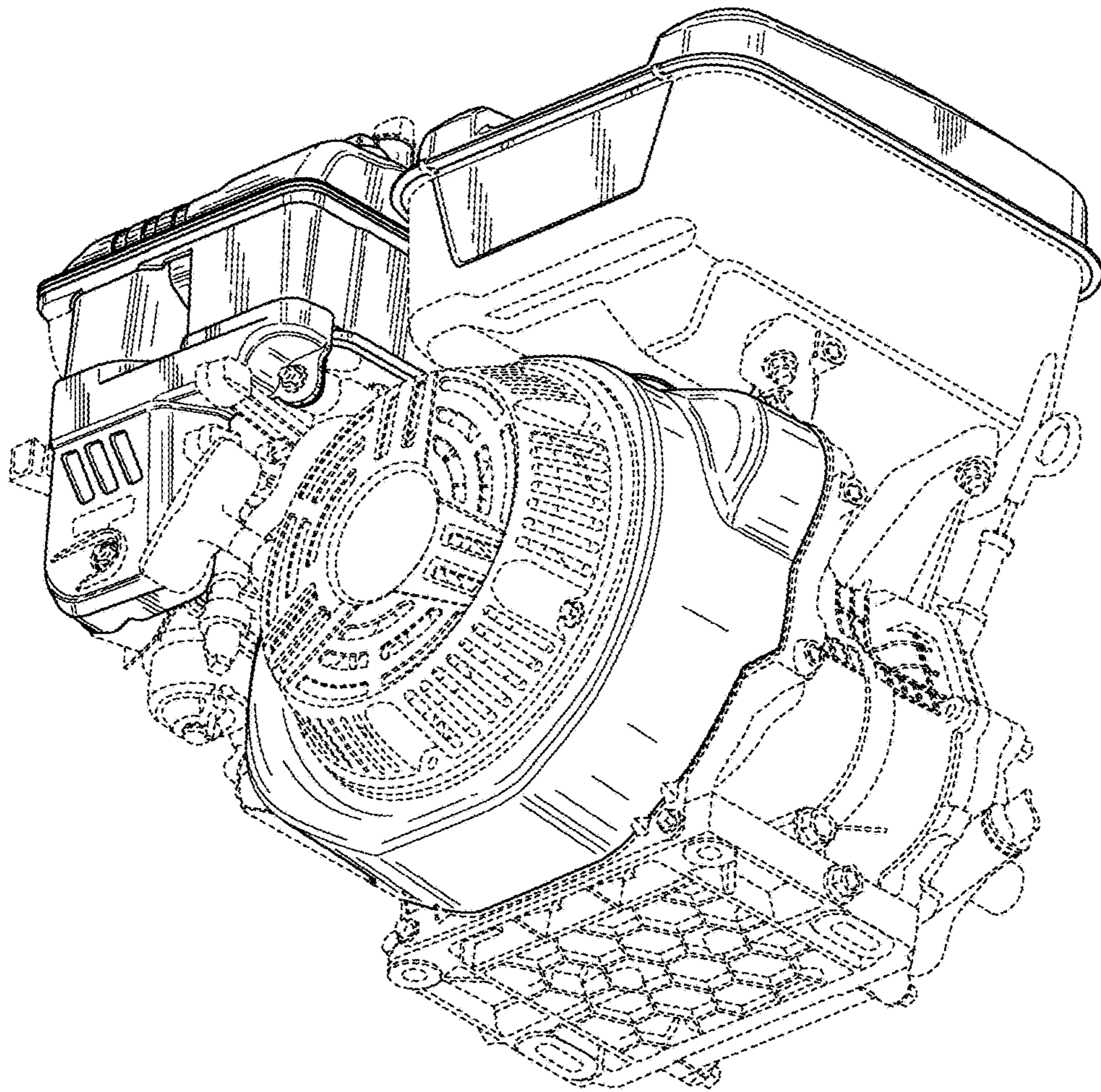


FIG. 2

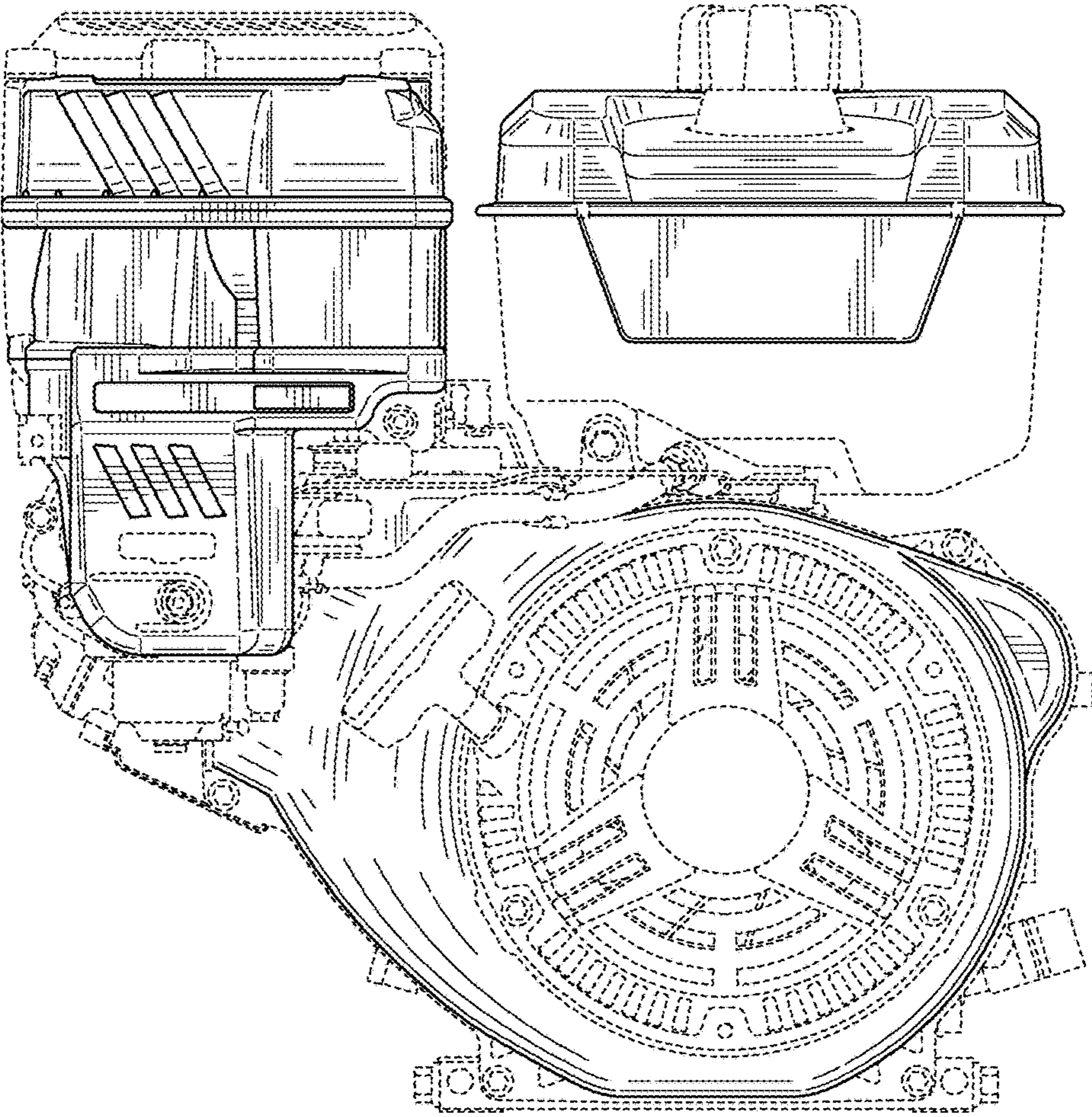


FIG. 3

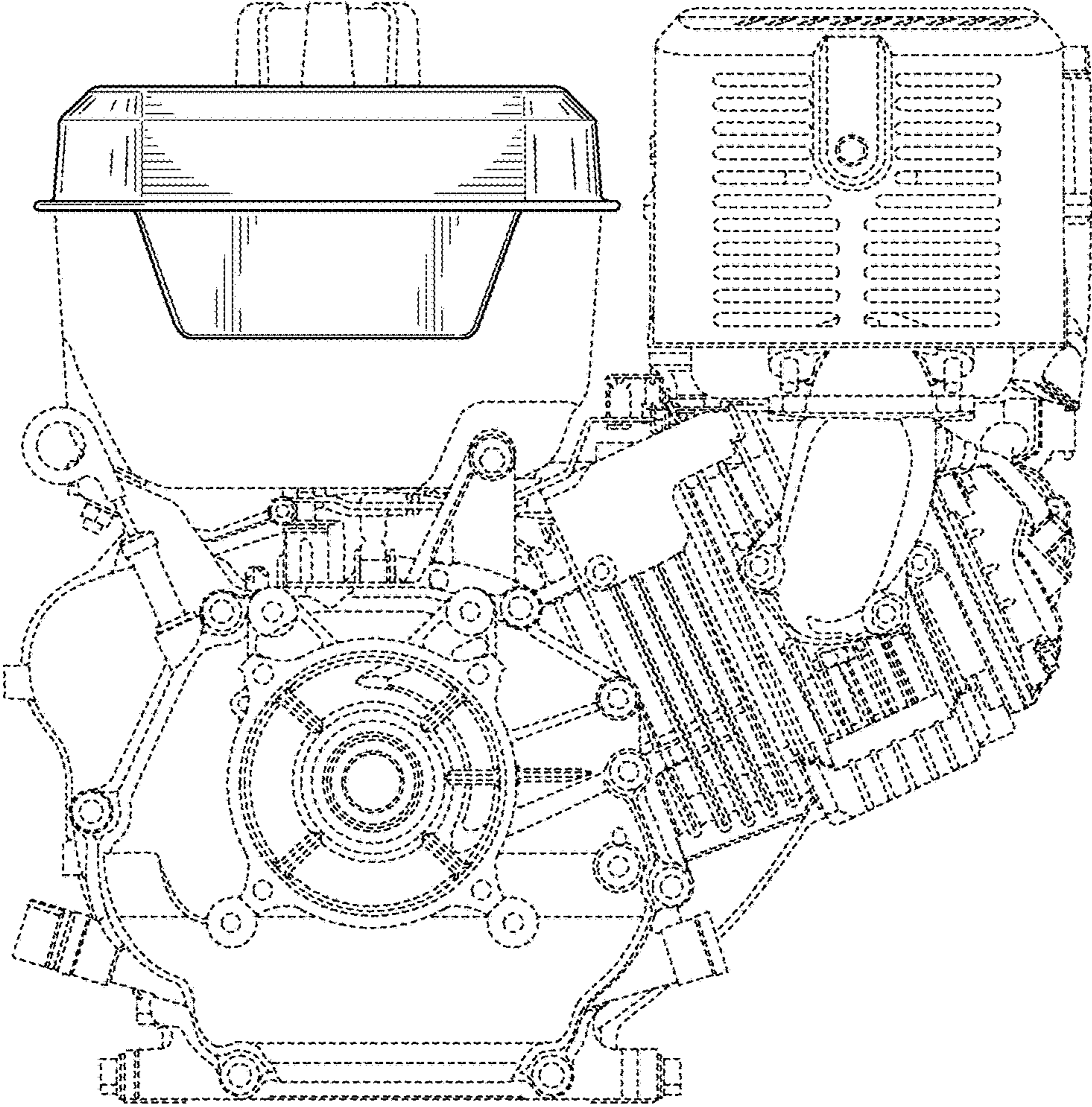


FIG. 4

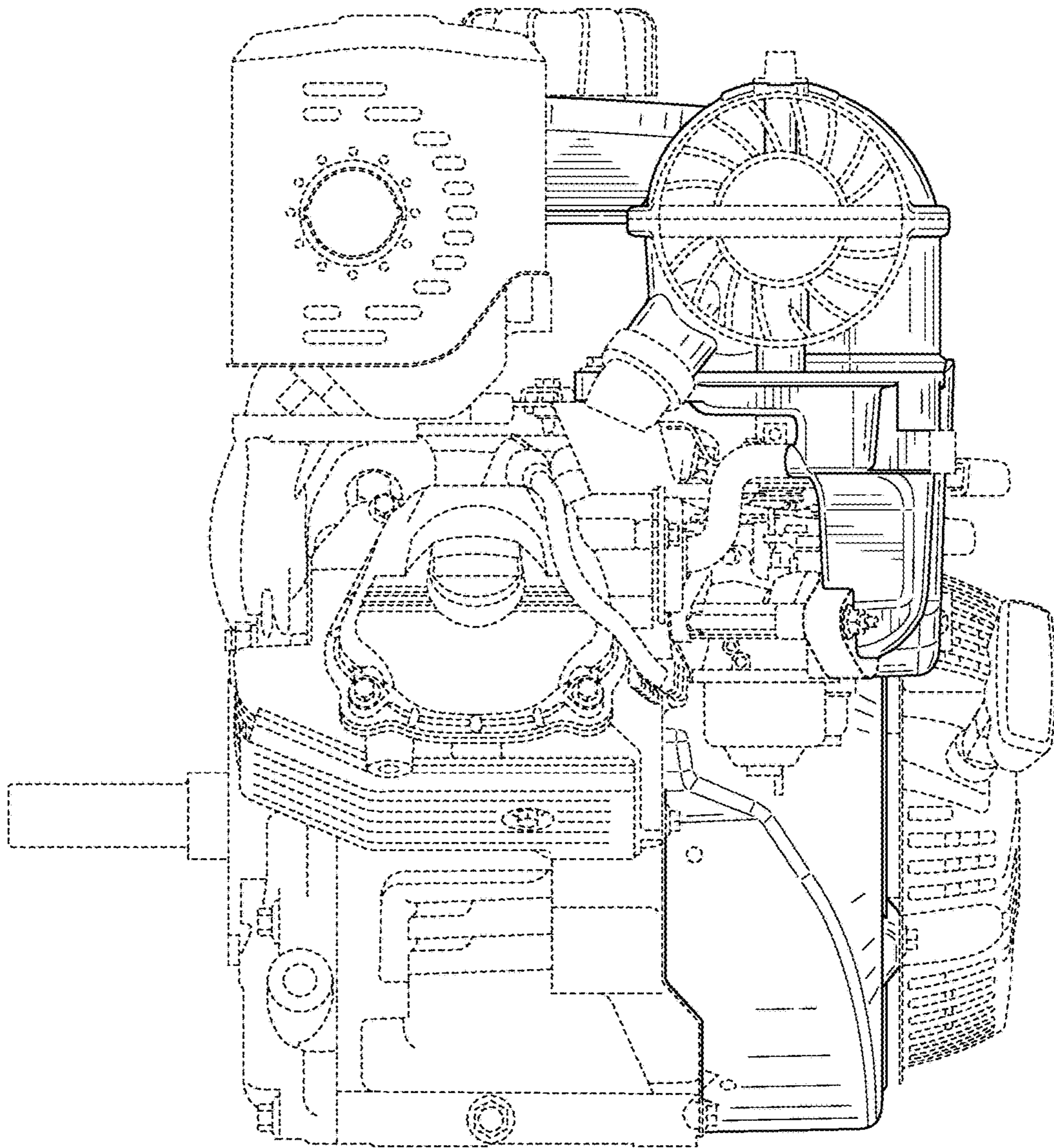


FIG. 5

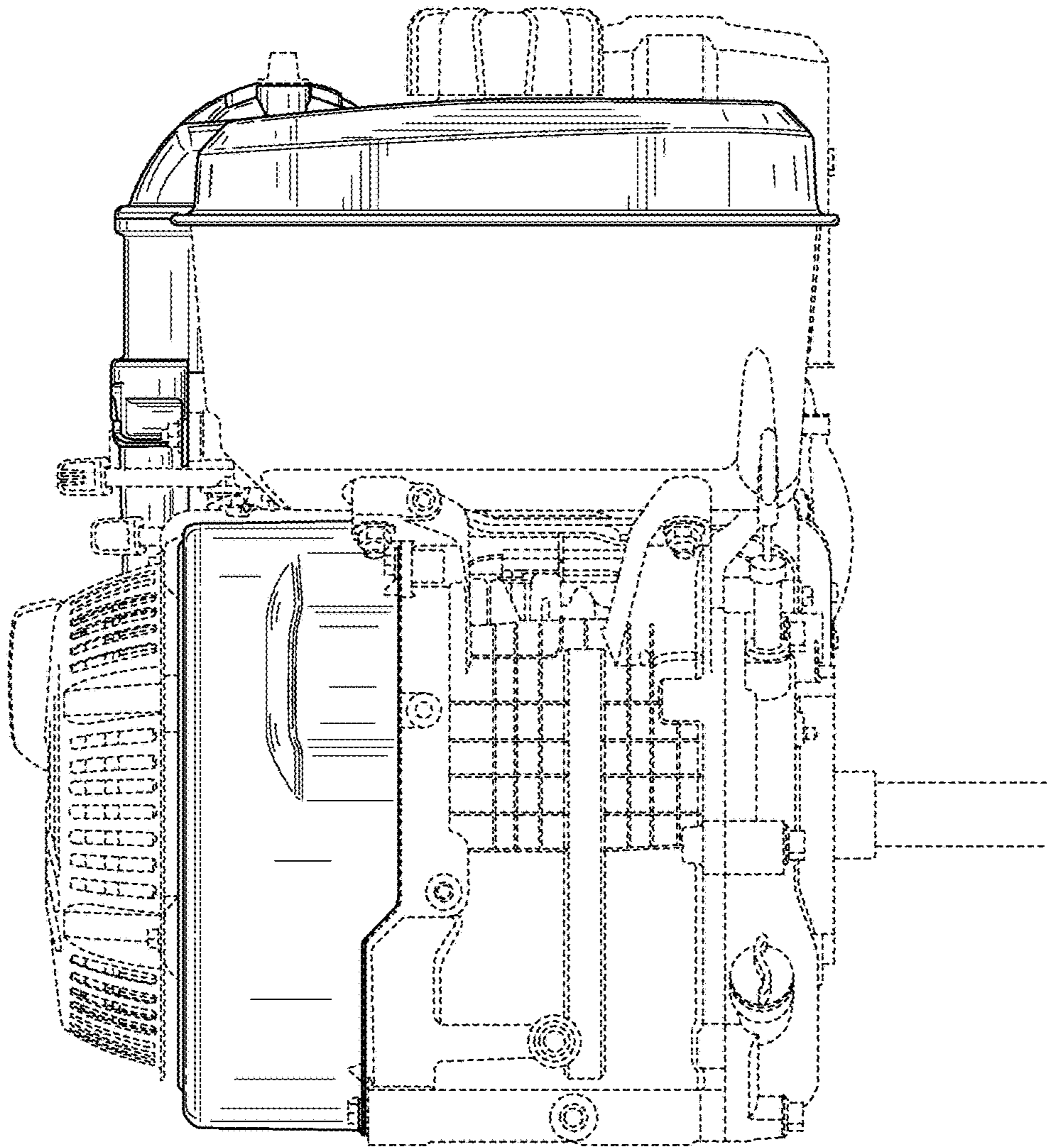


FIG. 6

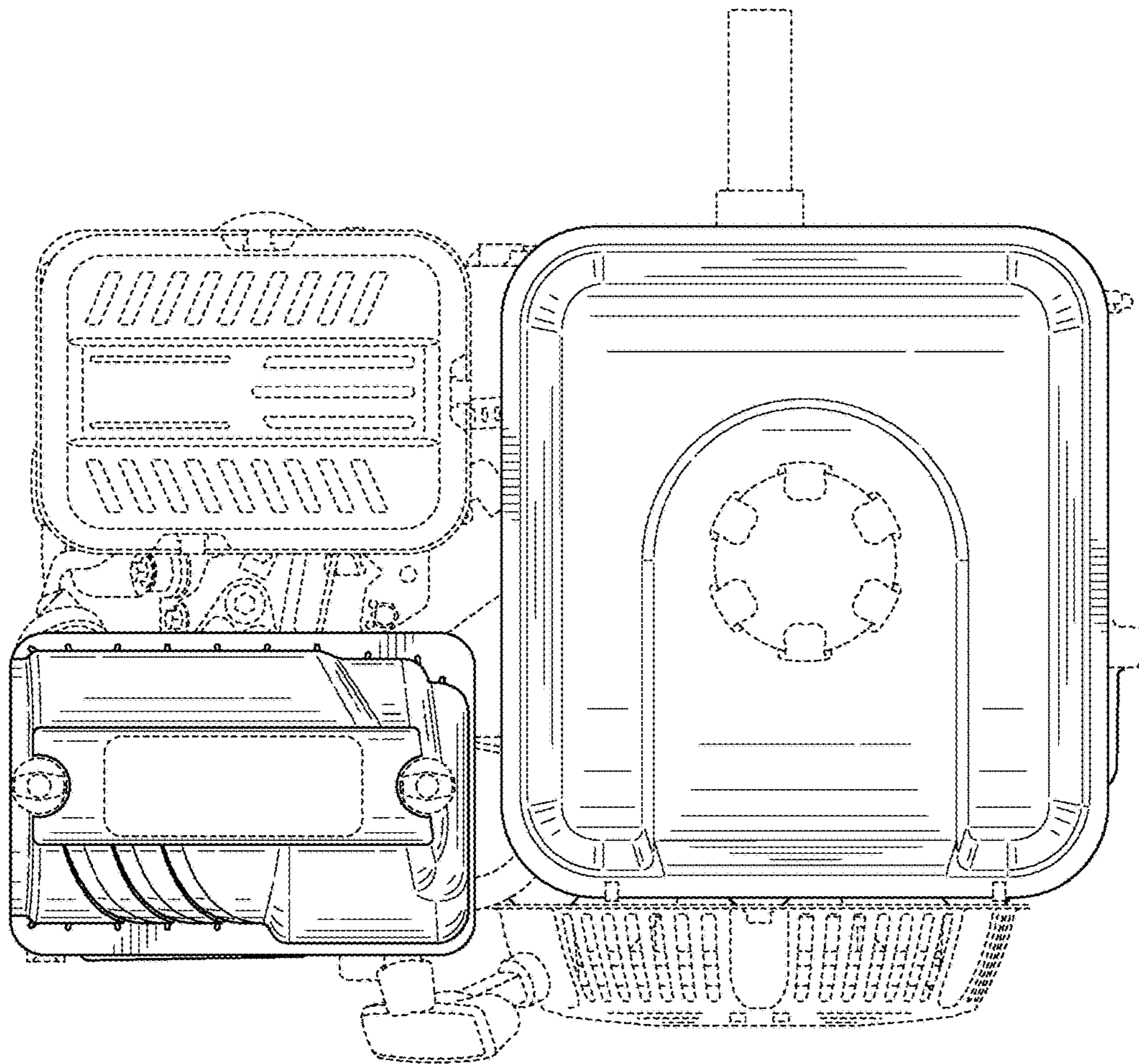


FIG. 7

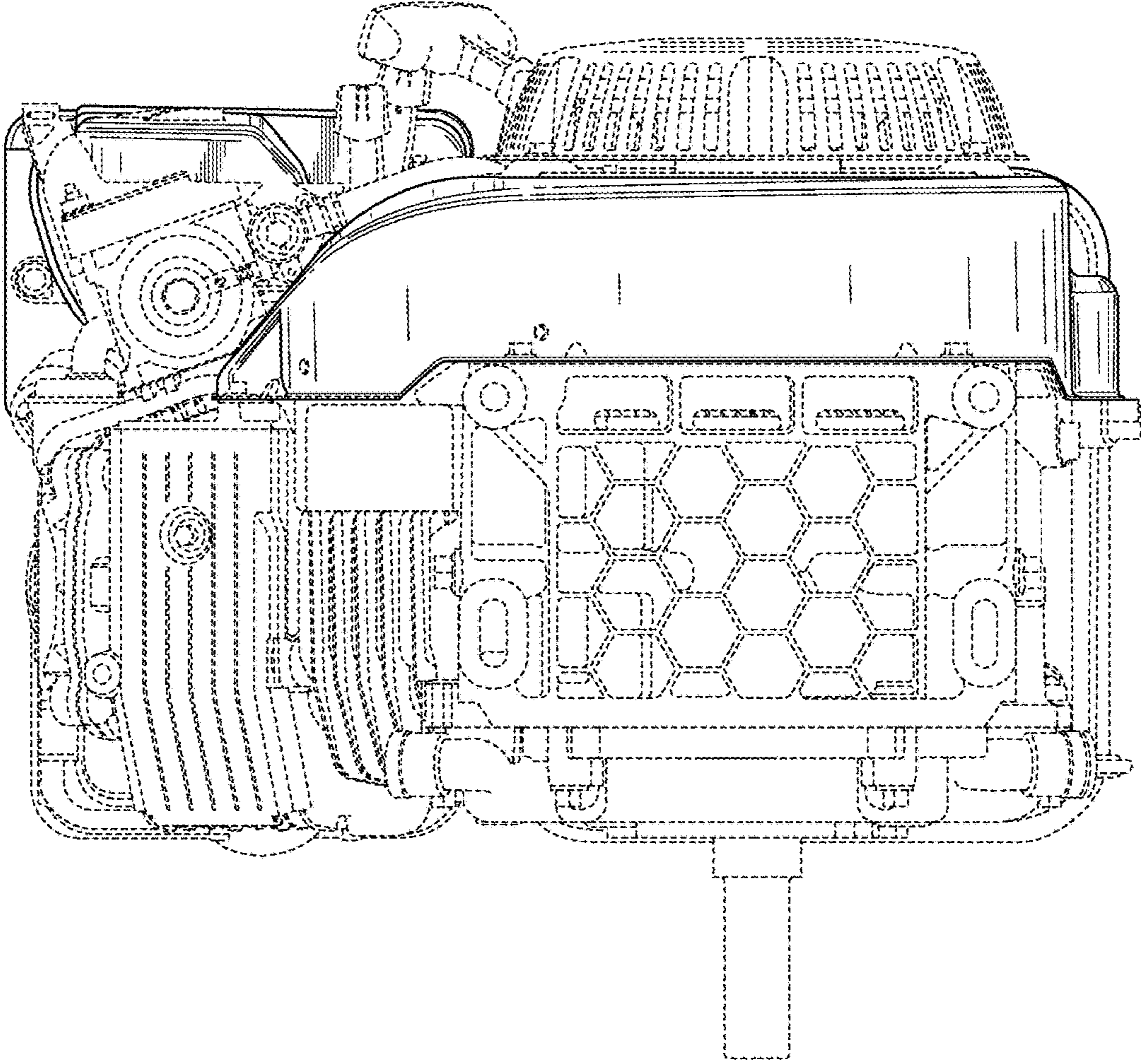


FIG. 8