



US00D859472S

(12) **United States Design Patent** (10) **Patent No.:** **US D859,472 S**  
**Azuma et al.** (45) **Date of Patent:** **\*\* Sep. 10, 2019**

(54) **INTERNAL-COMBUSTION ENGINE**

(71) Applicant: **HONDA MOTOR CO., LTD.**, Tokyo (JP)

(72) Inventors: **Koichi Azuma**, Wako (JP); **Kazuo Miyamoto**, Wako (JP)

(73) Assignee: **HONDA MOTOR CO., LTD.**, Tokyo (JP)

(\*\*) Term: **15 Years**

(21) Appl. No.: **29/650,513**

(22) Filed: **Jun. 7, 2018**

(30) **Foreign Application Priority Data**

Dec. 8, 2017 (JP) ..... 2017-027543

(51) **LOC (12) Cl.** ..... **15-01**

(52) **U.S. Cl.**  
USPC ..... **D15/5**

(58) **Field of Classification Search**  
USPC ..... D15/1-6, 14  
CPC ..... F02B 75/007; F02B 61/02; F02B 75/005;  
F02B 2075/022; F02B 75/16; F02B 2075/1808; F02B 75/34; F02B 77/02;  
F02B 2700/03; F02B 2710/03; F02B 2730/011; F02B 63/02; F02B 2075/027;  
F02B 2075/1816; F02B 2075/1824; F02B 2063/045; F01M 13/022; F01M 2013/0461; F01M 13/04; F02F 7/0068; F02F 2007/0075; F02M 35/0201  
See application file for complete search history.

(56) **References Cited**

**U.S. PATENT DOCUMENTS**

D347,640 S \* 6/1994 Chunn ..... D15/14  
D396,045 S \* 7/1998 Neeley ..... D15/1  
D397,342 S \* 8/1998 Shimizu ..... D15/14

D484,889 S \* 1/2004 Neeley ..... D15/1  
D487,751 S \* 3/2004 Neeley ..... D15/5  
D513,012 S \* 12/2005 Strandell ..... D15/5  
D513,754 S \* 1/2006 Strandell ..... D15/5  
D525,991 S \* 8/2006 Walters ..... D15/5  
D527,022 S \* 8/2006 Walters ..... D15/5  
D548,750 S \* 8/2007 Neeley ..... D15/5  
D557,280 S \* 12/2007 Osumi ..... D15/1  
D567,258 S \* 4/2008 Wilkens ..... D15/17  
D576,178 S \* 9/2008 Neeley ..... D15/1  
D628,596 S \* 12/2010 Azuma ..... D15/1  
D647,536 S \* 10/2011 Tiefenthaler ..... D15/5  
D671,959 S \* 12/2012 Burey ..... D15/5  
D691,177 S \* 10/2013 Tiefenthaler ..... D15/5  
D718,339 S \* 11/2014 Damshak ..... D15/14

(Continued)

*Primary Examiner* — T Chase Nelson

*Assistant Examiner* — Ania K Aman

(74) *Attorney, Agent, or Firm* — Westerman, Hattori, Daniels & Adrian, LLP

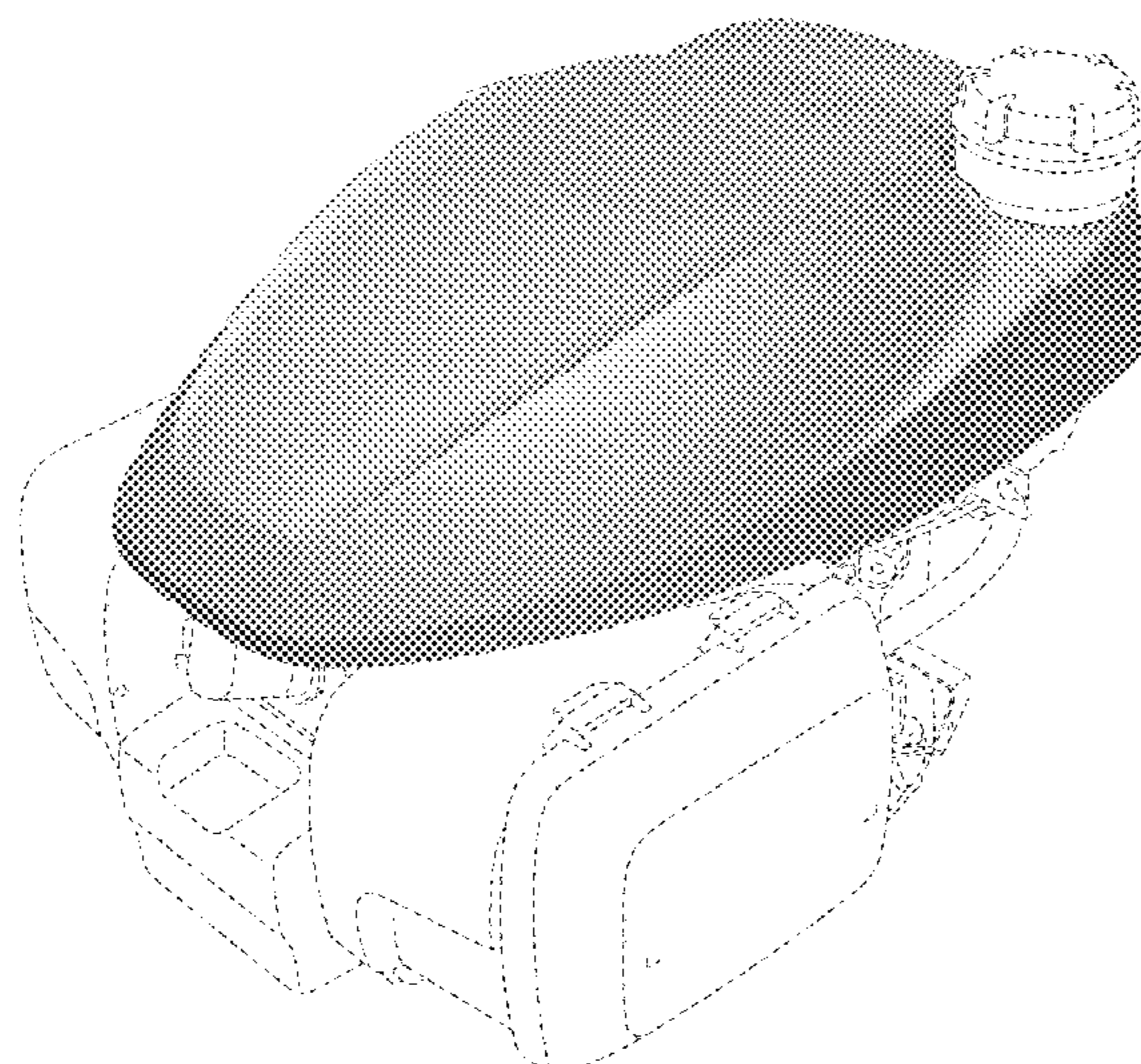
(57) **CLAIM**

The ornamental design for an internal-combustion engine, as shown and described.

**DESCRIPTION**

FIG. 1 is a first perspective view of an internal-combustion engine;  
FIG. 2 is a second perspective view thereof;  
FIG. 3 is a third perspective view thereof;  
FIG. 4 is a fourth perspective view thereof;  
FIG. 5 is a front elevation view thereof;  
FIG. 6 is a rear elevation view thereof;  
FIG. 7 is a top plan view thereof;  
FIG. 8 is a bottom plan view thereof;  
FIG. 9 is a right side elevation view thereof; and,  
FIG. 10 is a left side elevation view thereof.  
The broken lines in the drawings illustrate portions of the internal-combustion engine that are environmental structures and form no part of the claimed design.

**1 Claim, 10 Drawing Sheets**



(56)

**References Cited**

U.S. PATENT DOCUMENTS

D734,721 S *	7/2015	Fujiwara .....	D13/112
D776,164 S *	1/2017	Hashimoto .....	D15/1
D780,225 S *	2/2017	Hashimoto .....	D15/1
D805,111 S *	12/2017	Fujiwara .....	D15/14
2013/0019822 A1 *	1/2013	Raasch .....	F02N 3/02 123/41.65

\* cited by examiner



FIG. 1

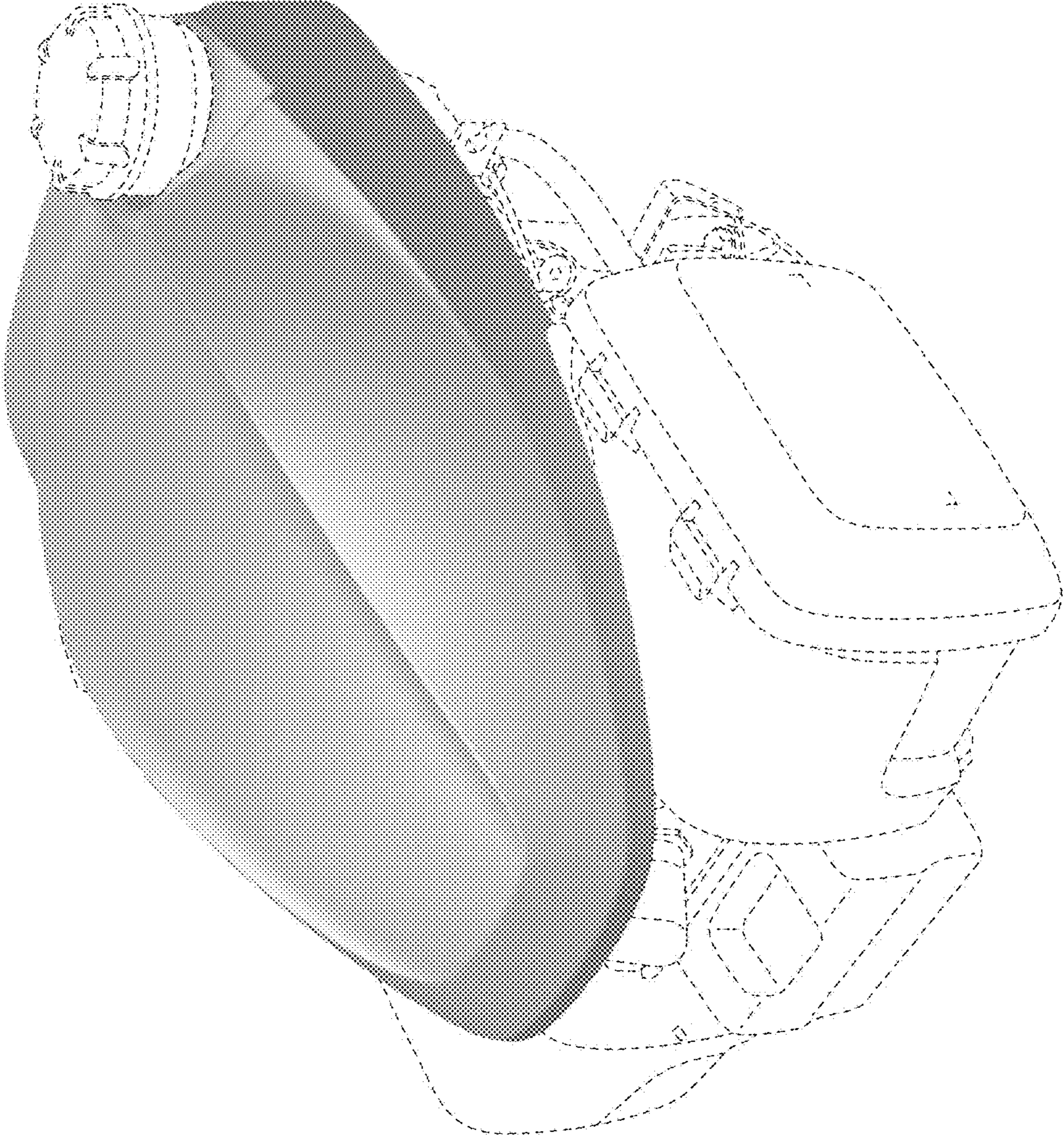




FIG. 2

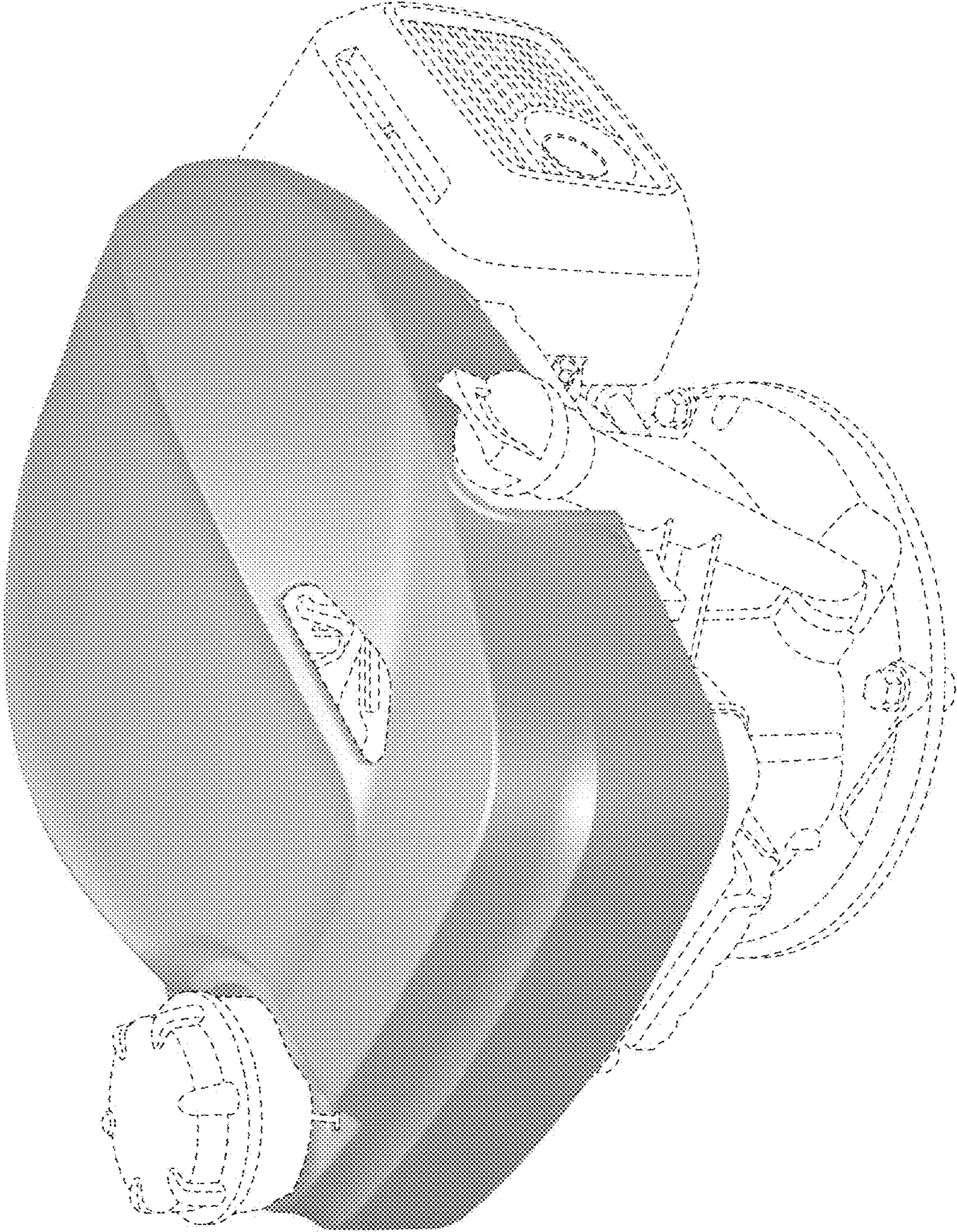




FIG. 3

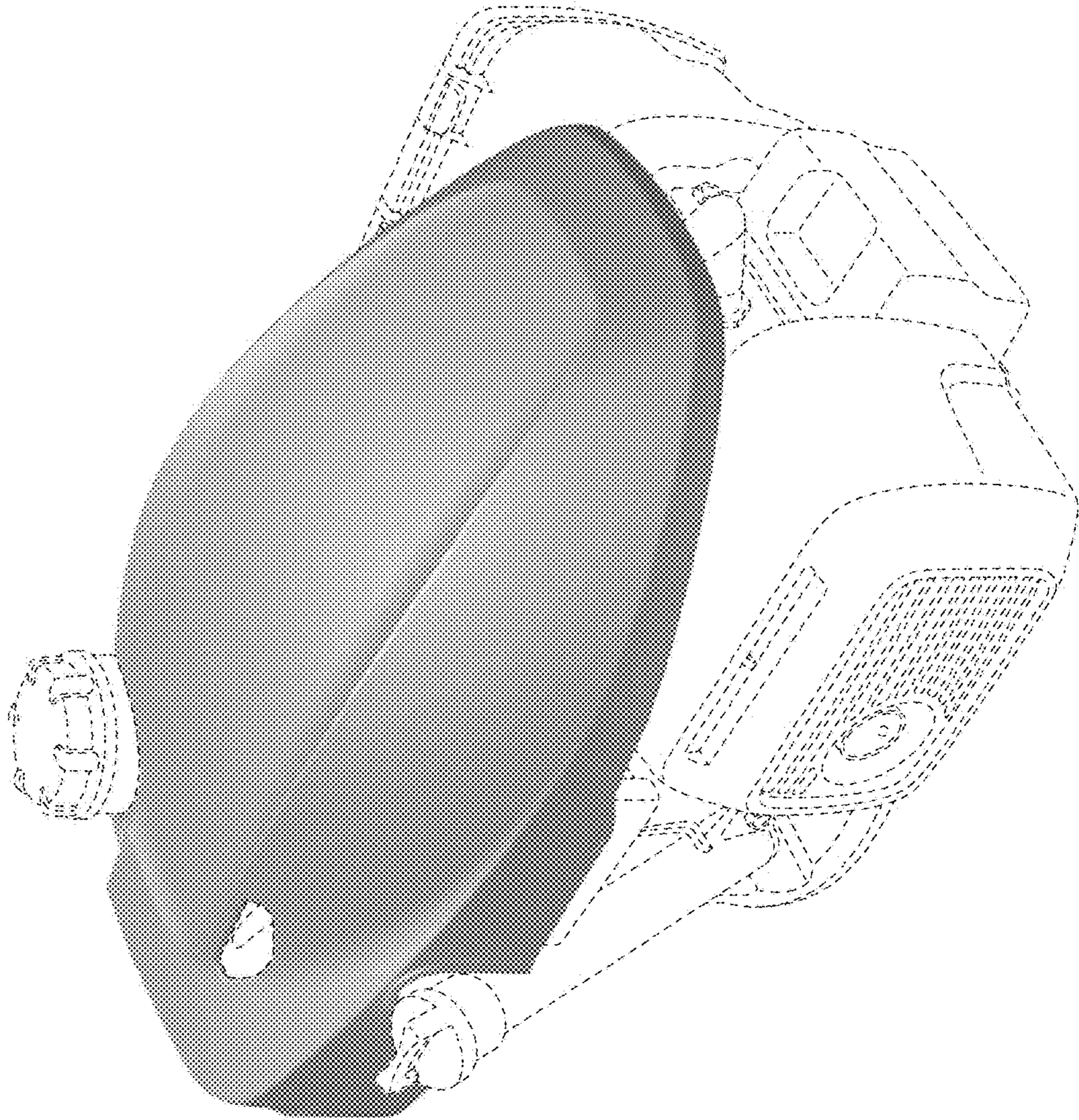




FIG. 4

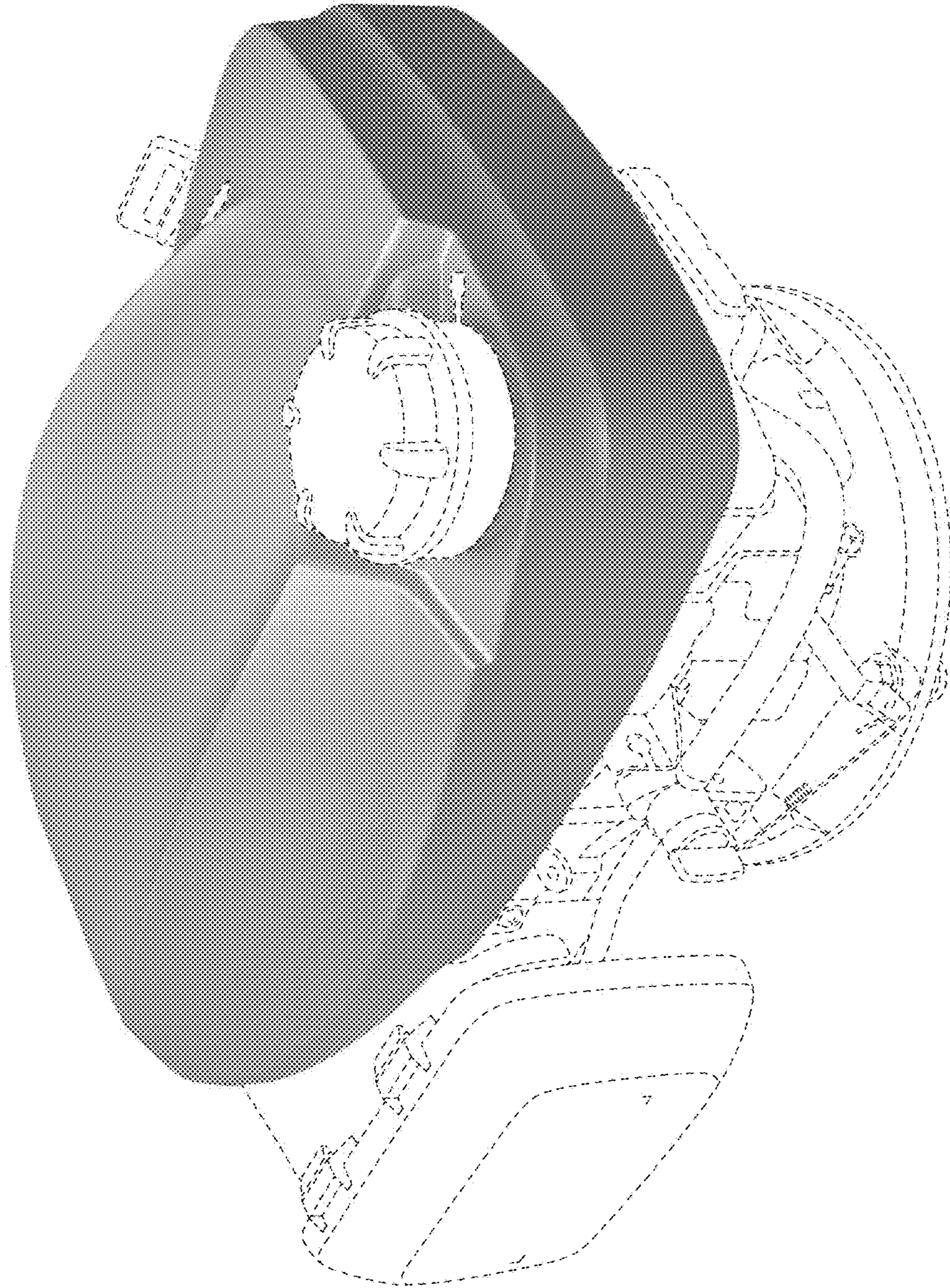


FIG. 5

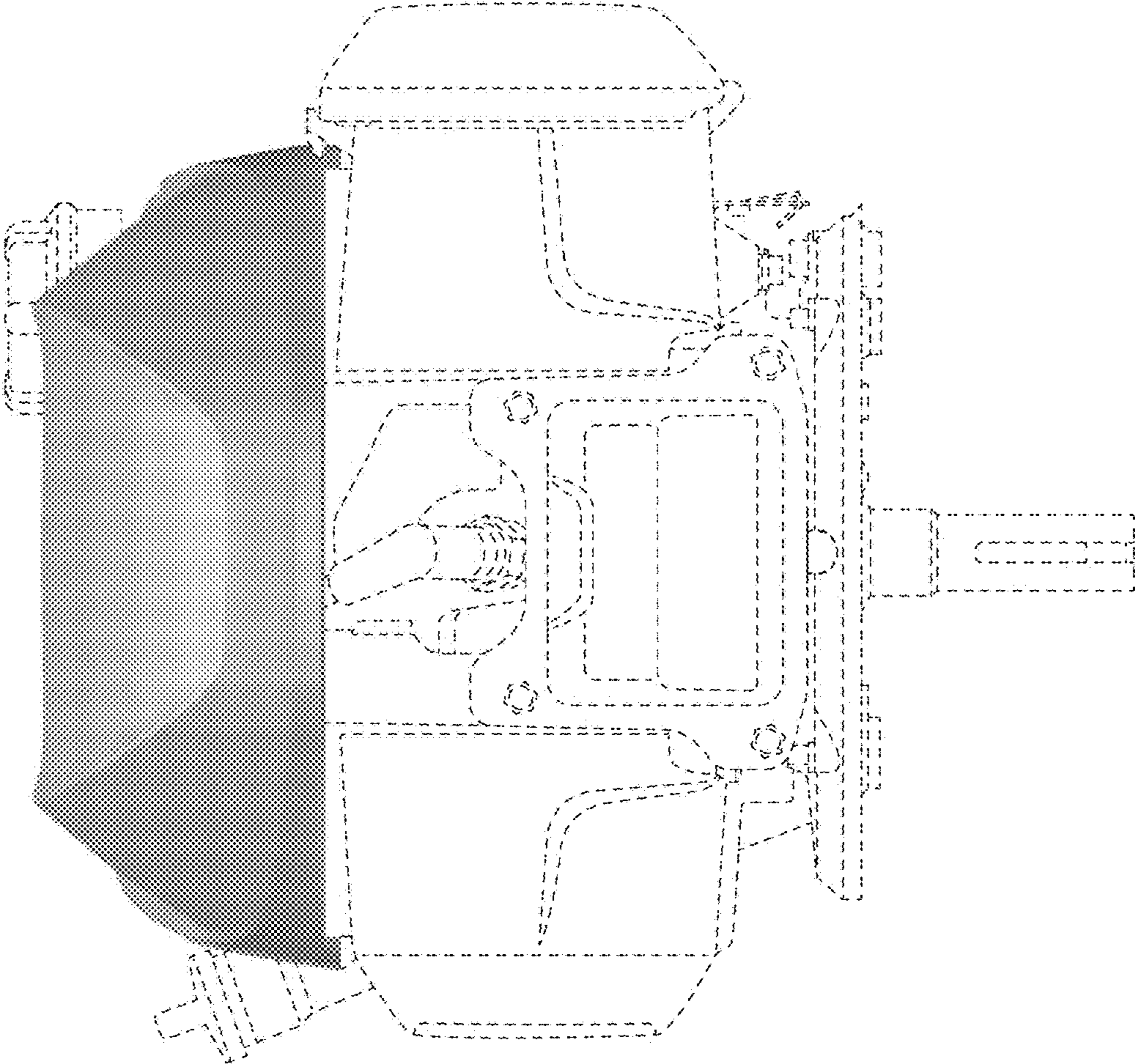




FIG. 6

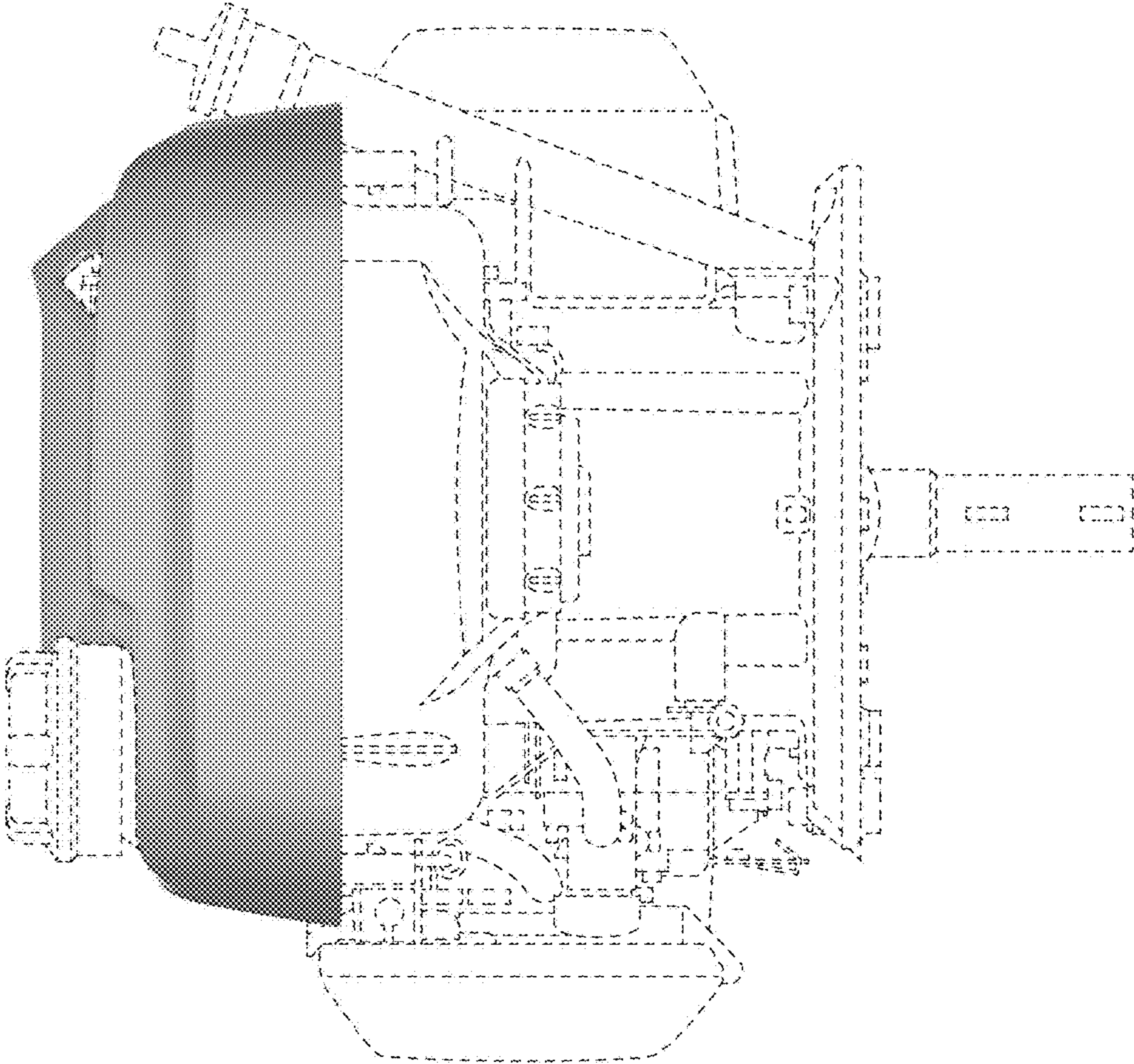




FIG. 7

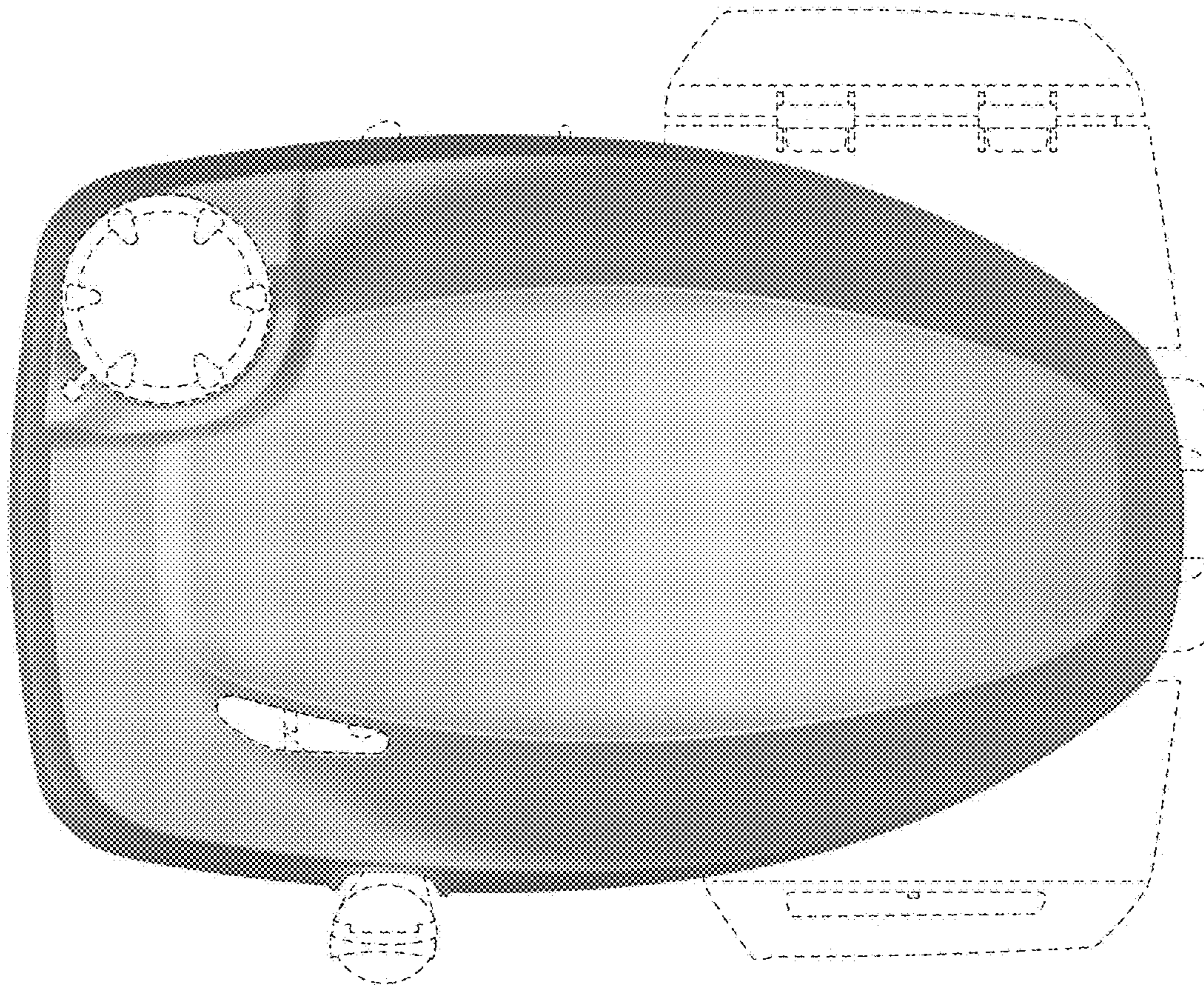


FIG. 8

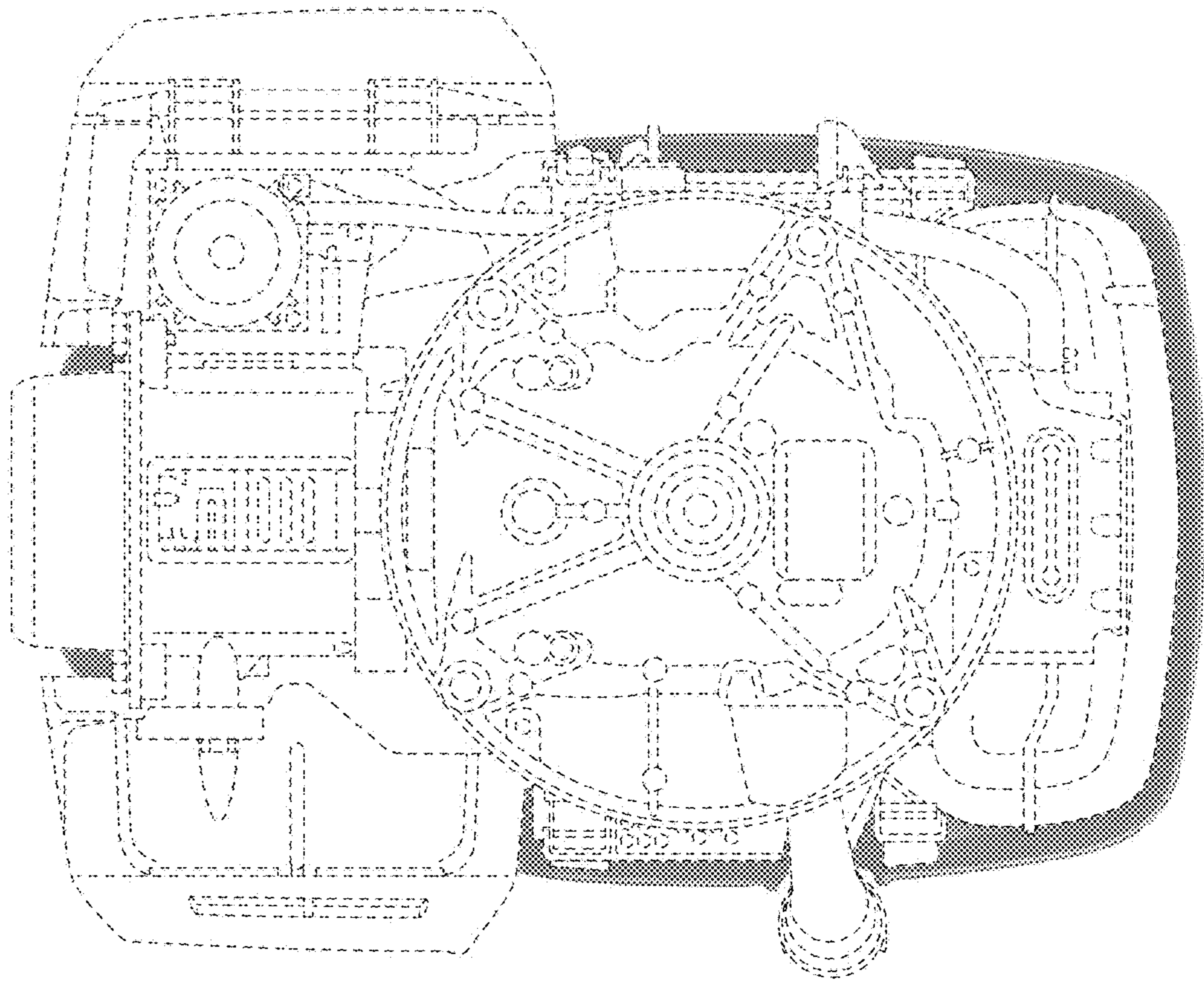




FIG. 9

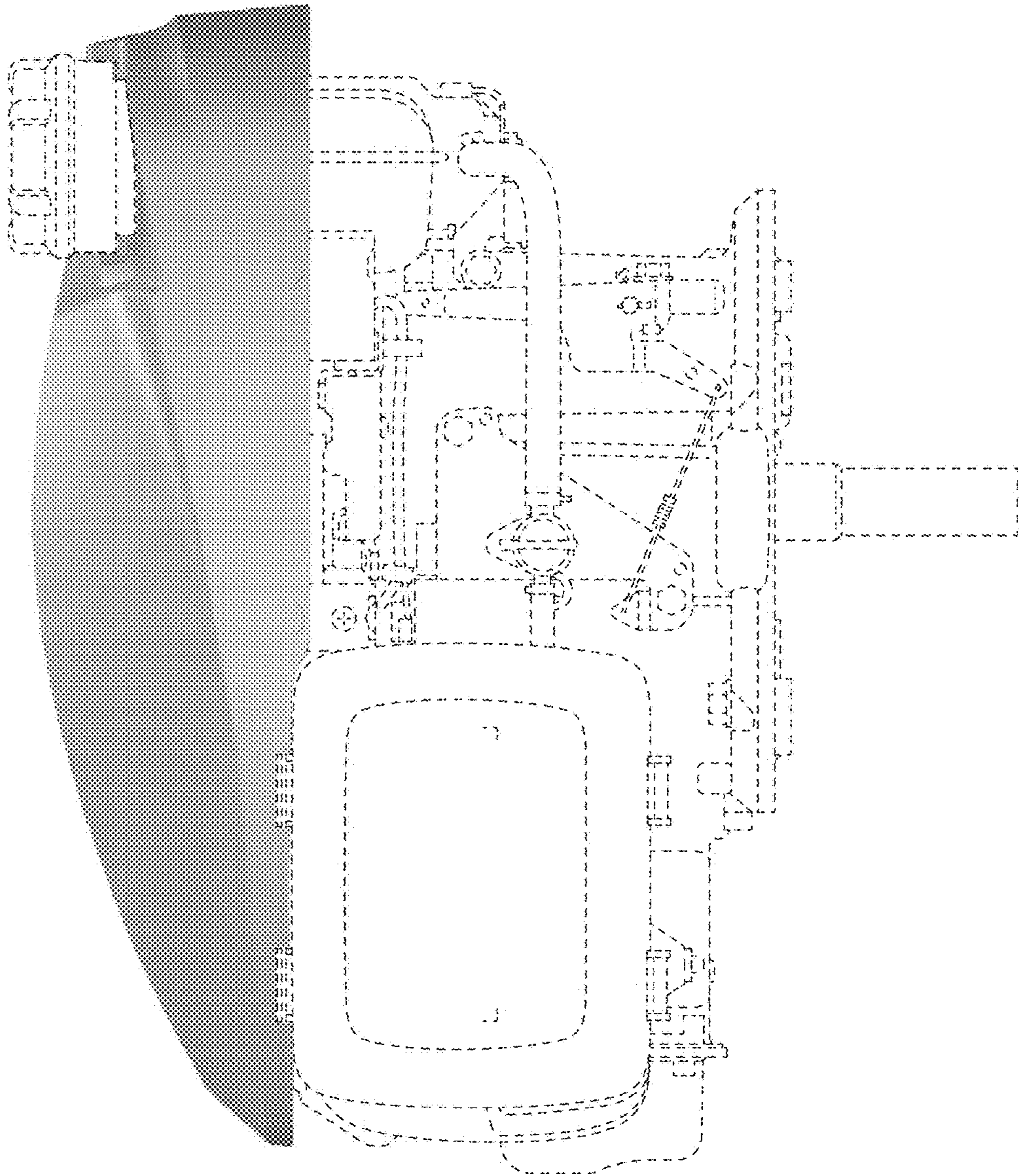


FIG. 10

