



US00D859471S

(12) **United States Design Patent** (10) **Patent No.:** **US D859,471 S**
Chikmangalore Manjunath et al. (45) **Date of Patent:** **** Sep. 10, 2019**

(54) **TURBOCHARGER TRANSITION SECTION**

(56) **References Cited**

(71) Applicant: **General Electric Company**,
Schenectady, NY (US)

U.S. PATENT DOCUMENTS

(72) Inventors: **Harsha Vardhana Chikmangalore Manjunath**, Bangalore (IN); **Andrew Theogift Jeyanth Selwyn Victor**, Bangalore (IN); **Suresha Kumar Panambur**, Bangalore (IN); **Paulraj Ramasamy**, Bangalore (IN); **Ravikanth Bendarapu**, Bangalore (IN); **Ramprasad Maruti Shetti**, Bangalore (IN)

2,526,281	A *	10/1950	Ryan	F01D 9/023
					138/111
6,226,978	B1 *	5/2001	Chandra	C23C 28/325
					60/805
2008/0127492	A1 *	6/2008	Smith	B23K 37/0426
					29/888.011
2014/0271155	A1 *	9/2014	Smith	F01D 9/065
					415/182.1
2016/0076437	A1 *	3/2016	Tiwari	F02B 37/02
					60/605.1

* cited by examiner

(73) Assignee: **GE Global Sourcing LLC**, Norwalk, CT (US)

Primary Examiner — T Chase Nelson
Assistant Examiner — Ania Aman

(**) Term: **15 Years**

(74) *Attorney, Agent, or Firm* — McCoy Russell LLP

(21) Appl. No.: **29/644,877**

(57) **CLAIM**

(22) Filed: **Apr. 20, 2018**

The ornamental design for a turbocharger transition section, as shown and described.

Related U.S. Application Data

(62) Division of application No. 29/548,899, filed on Dec. 17, 2015, now Pat. No. Des. 818,502.

(51) **LOC (12) Cl.** **15-01**

(52) **U.S. Cl.**
USPC **D15/5**

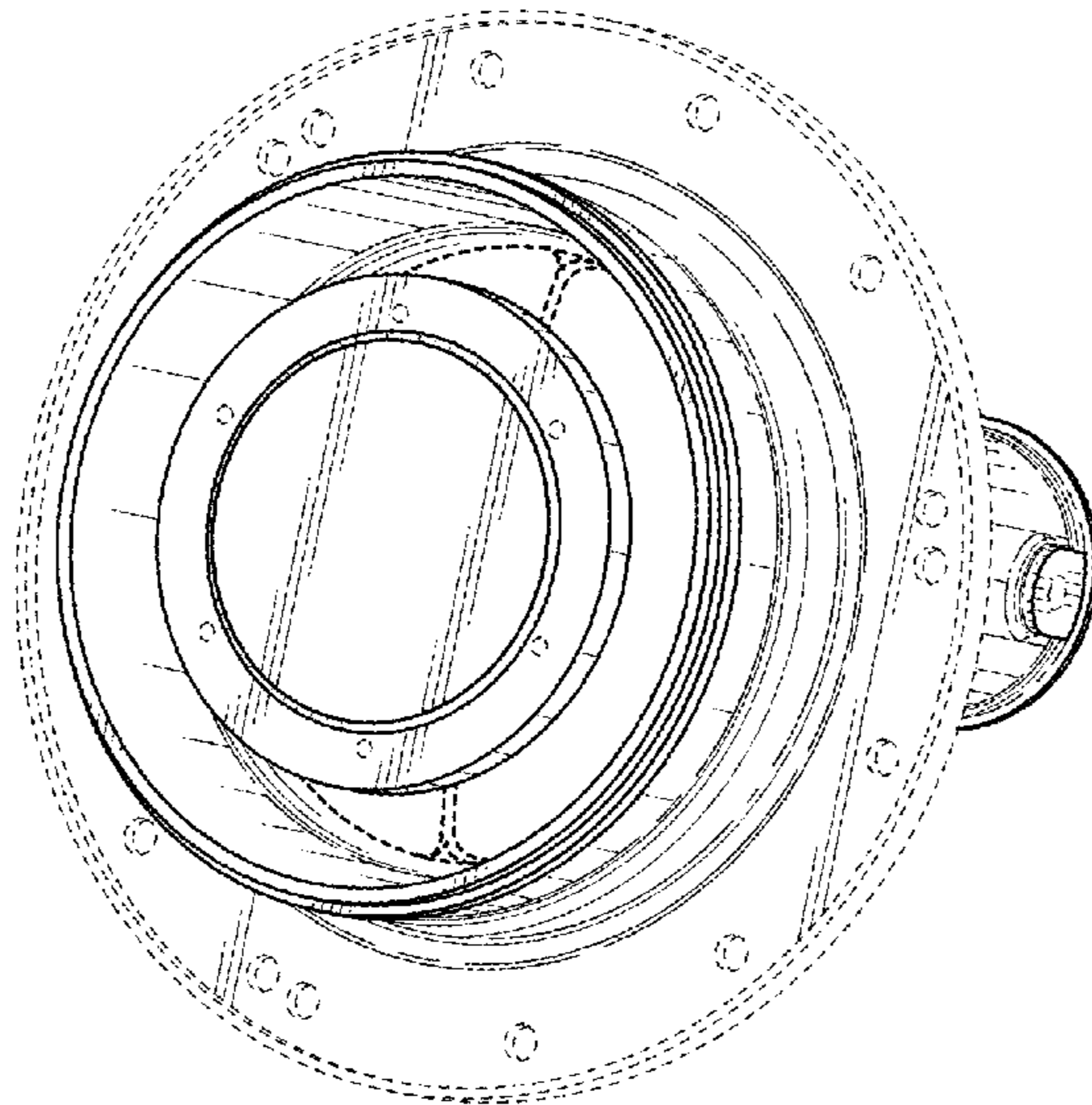
(58) **Field of Classification Search**
USPC D15/5; D23/233–250
CPC F02B 37/002; F02B 37/00; F02B 37/007;
F01D 25/24; F01D 9/065; F01D 9/023;
F01D 9/048; F01D 9/06; F01D 25/26;
F02C 6/12; F23R 3/002; F23R 3/60;
F05D 2220/31; F05D 2220/51; F05D
2220/61; F05D 2240/14

See application file for complete search history.

DESCRIPTION

FIG. 1 is a perspective view of a turbocharger transition section depicting our new design; FIG. 2 is a front view thereof; FIG. 3 is a rear view thereof; FIG. 4 is a side view thereof; FIG. 5 is a top plan view thereof; FIG. 6 is a bottom plan view thereof; and, FIG. 7 is an additional perspective view thereof. The broken line portion of the figures is included to show unclaimed subject matter only and forms no part of the claimed design.

1 Claim, 4 Drawing Sheets



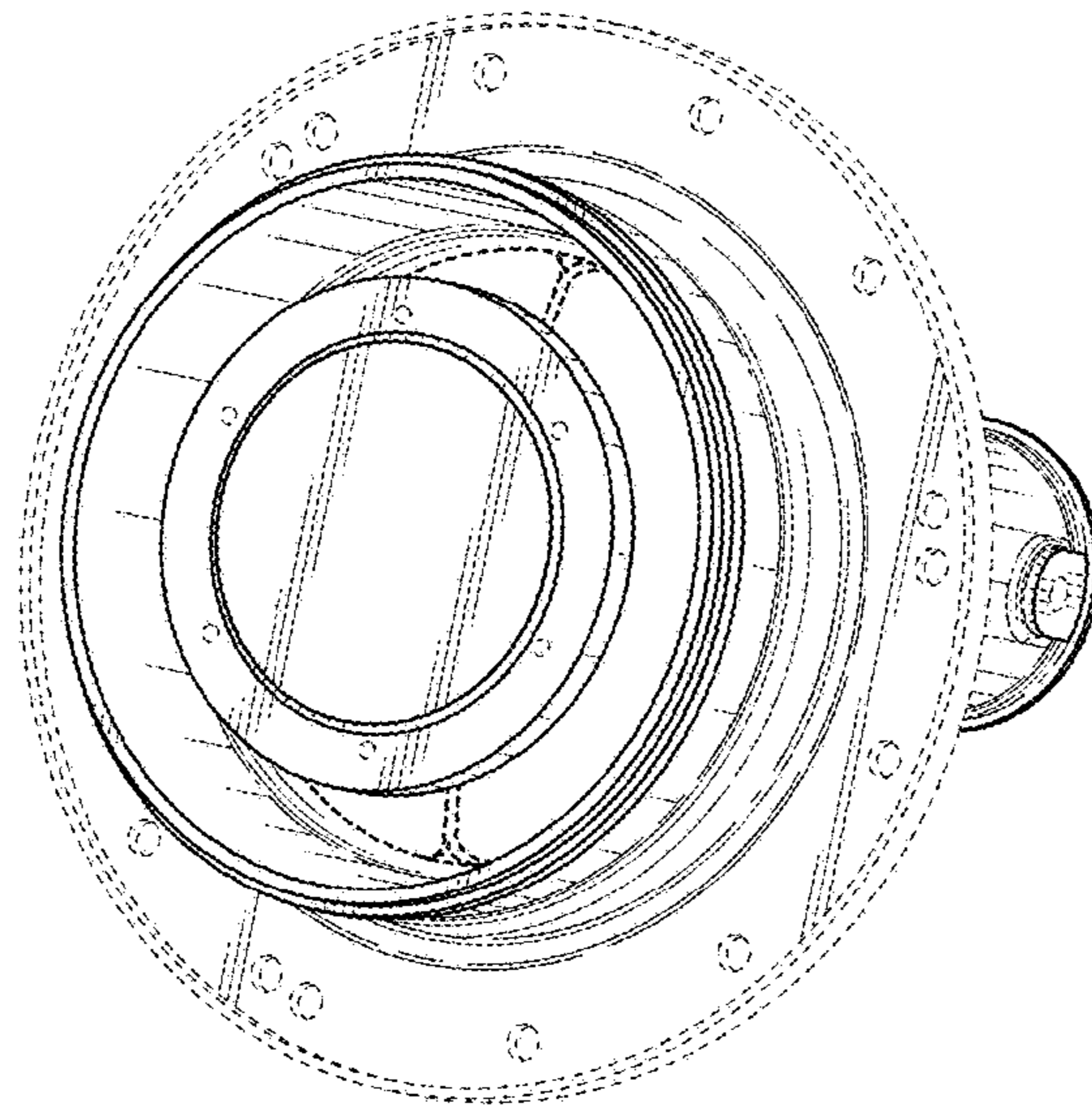


FIG. 1

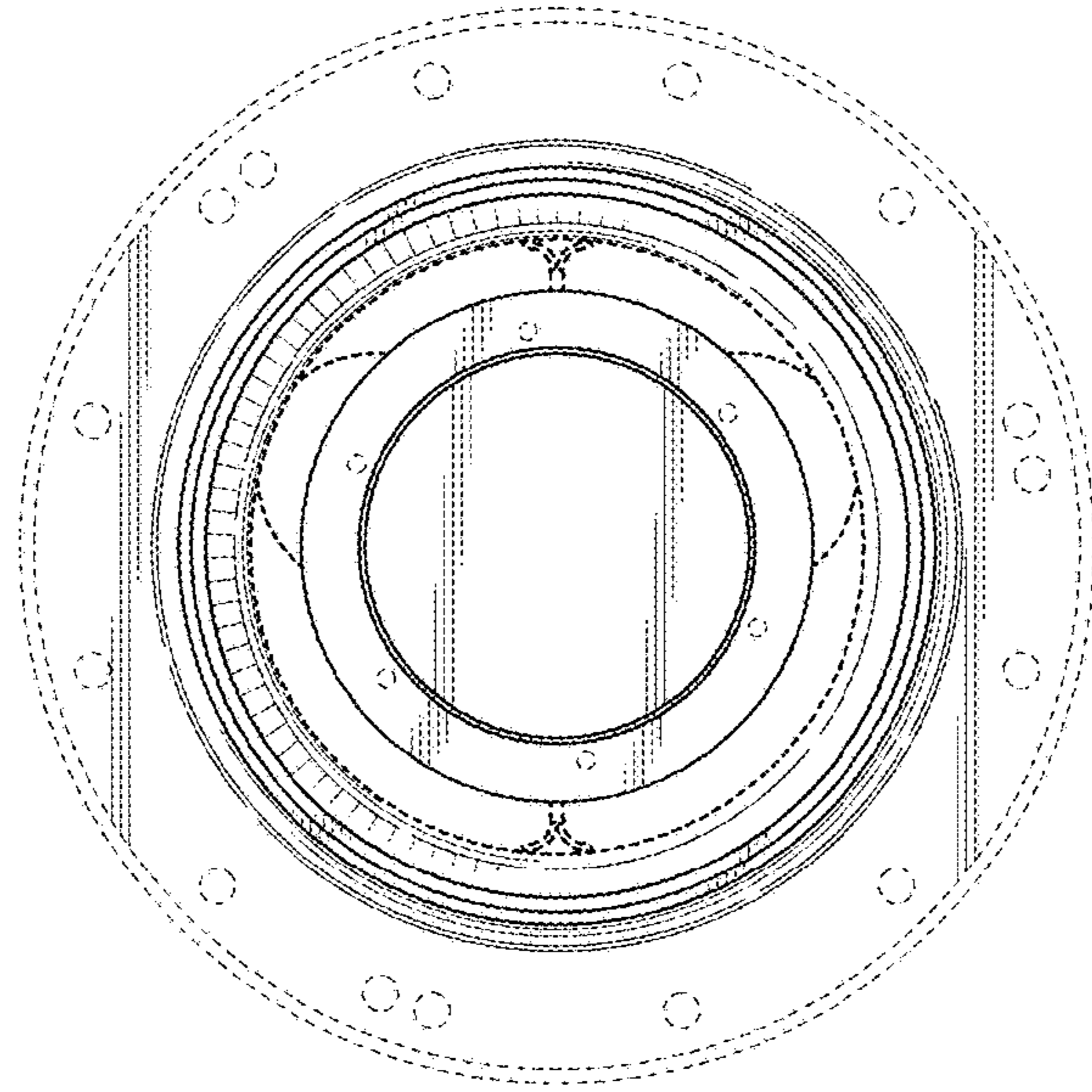


FIG. 2

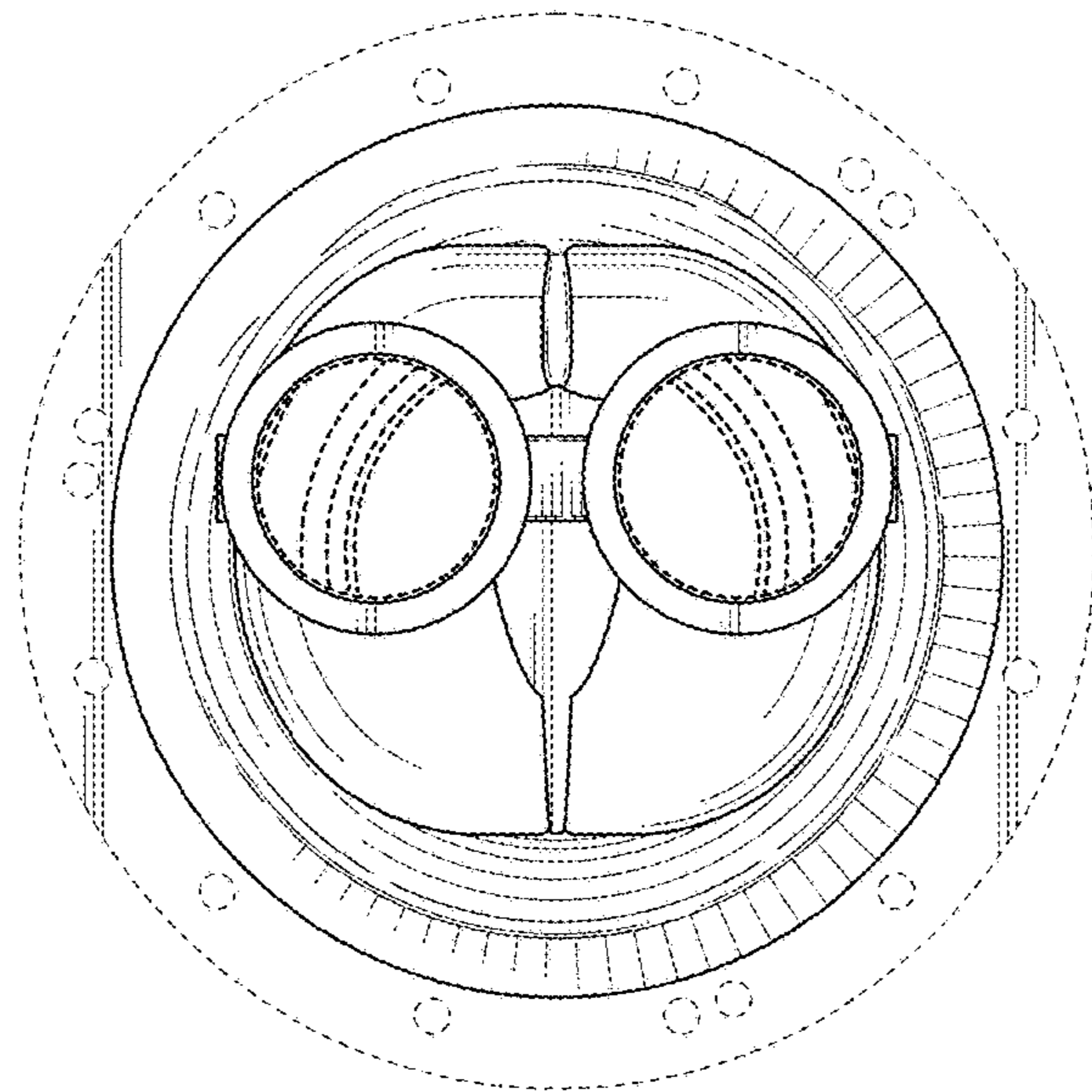


FIG. 3

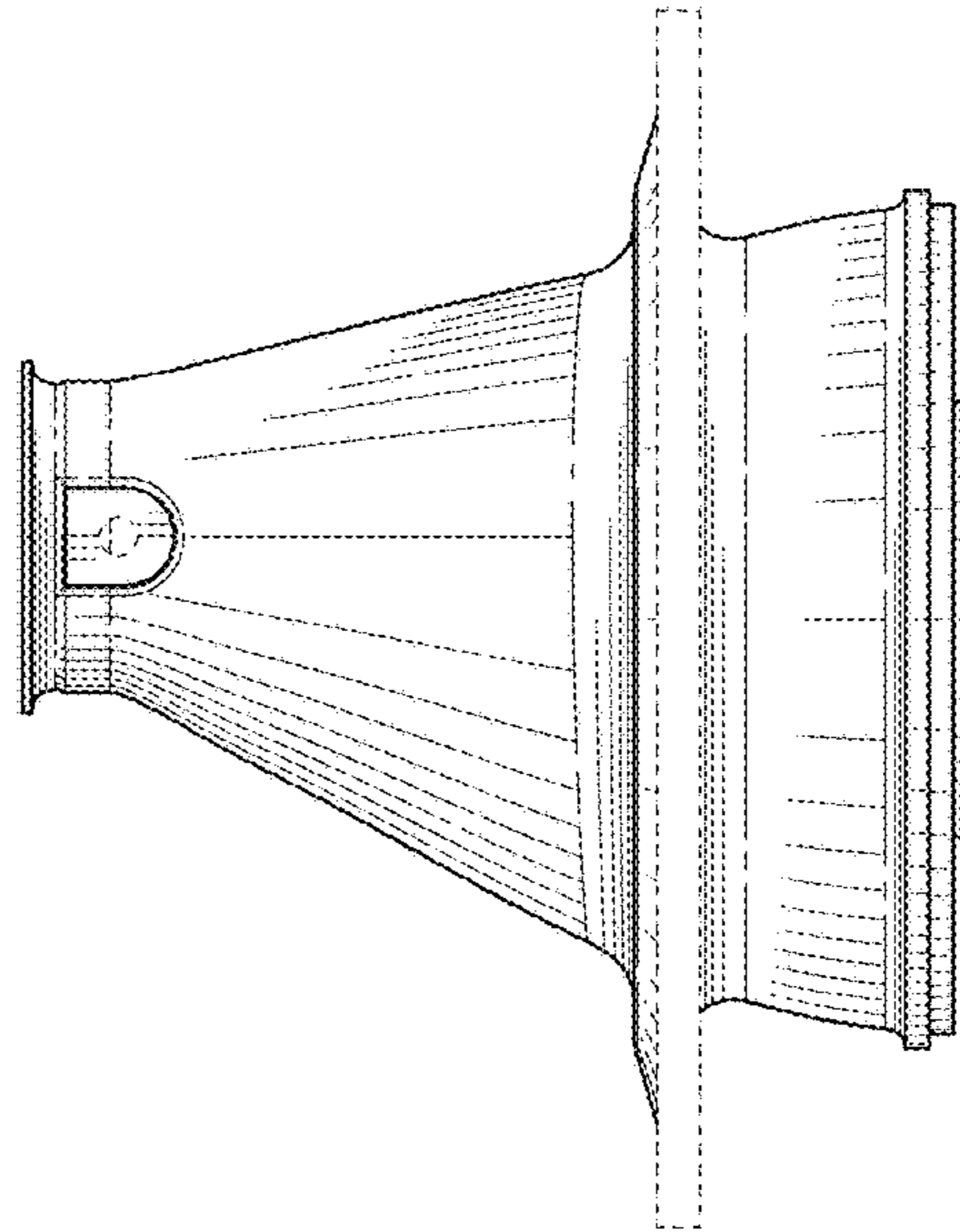


FIG. 4

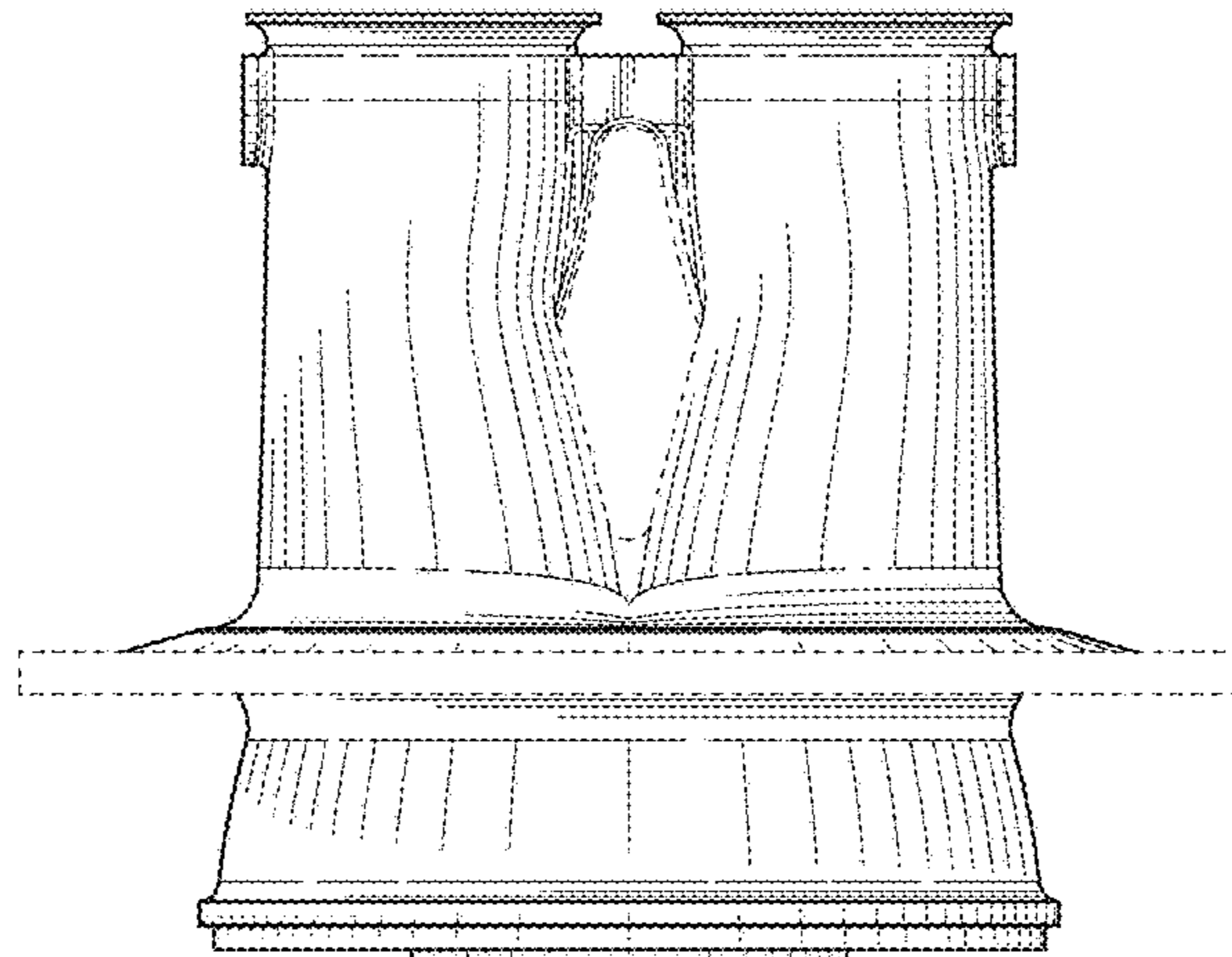


FIG. 5

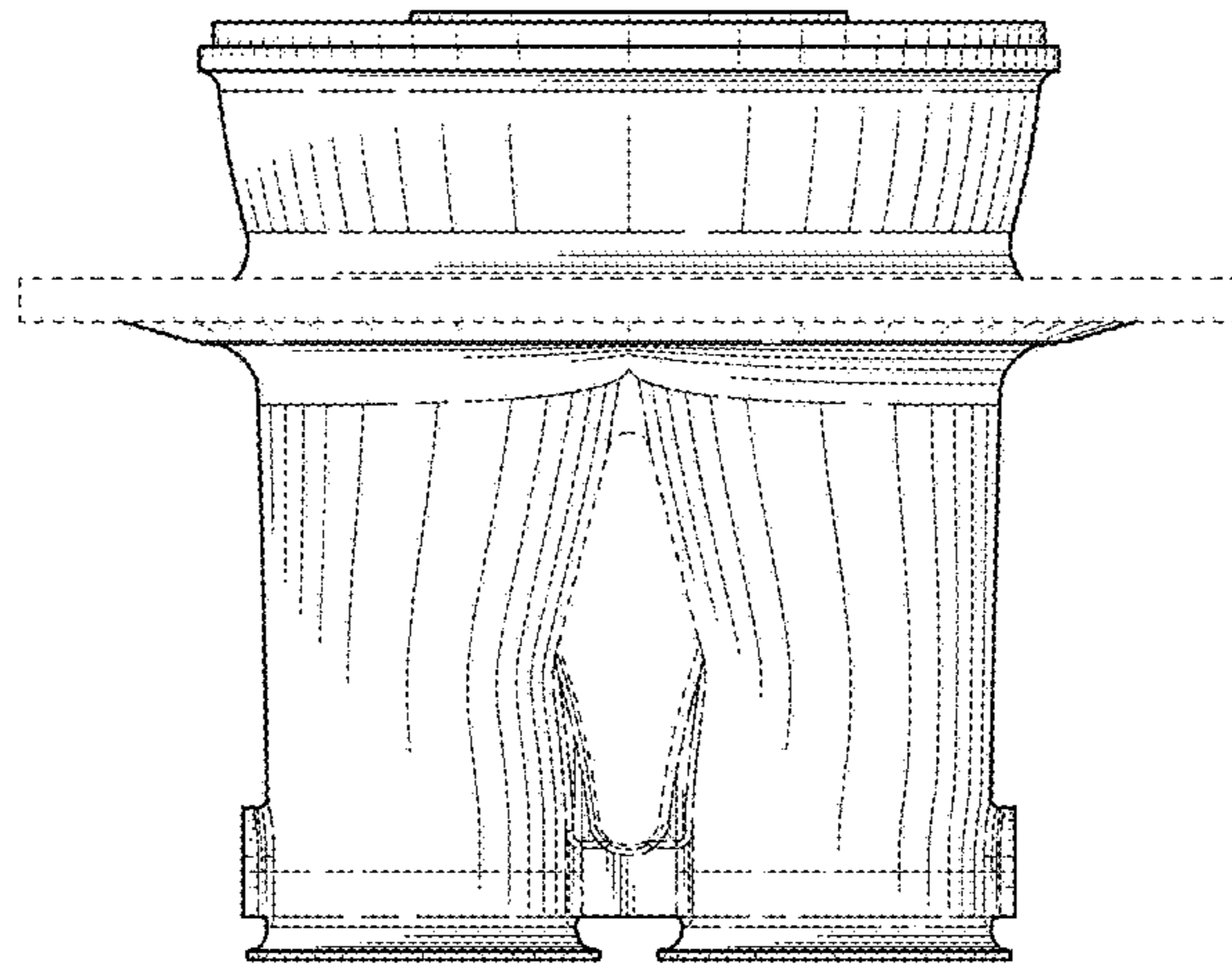


FIG. 6

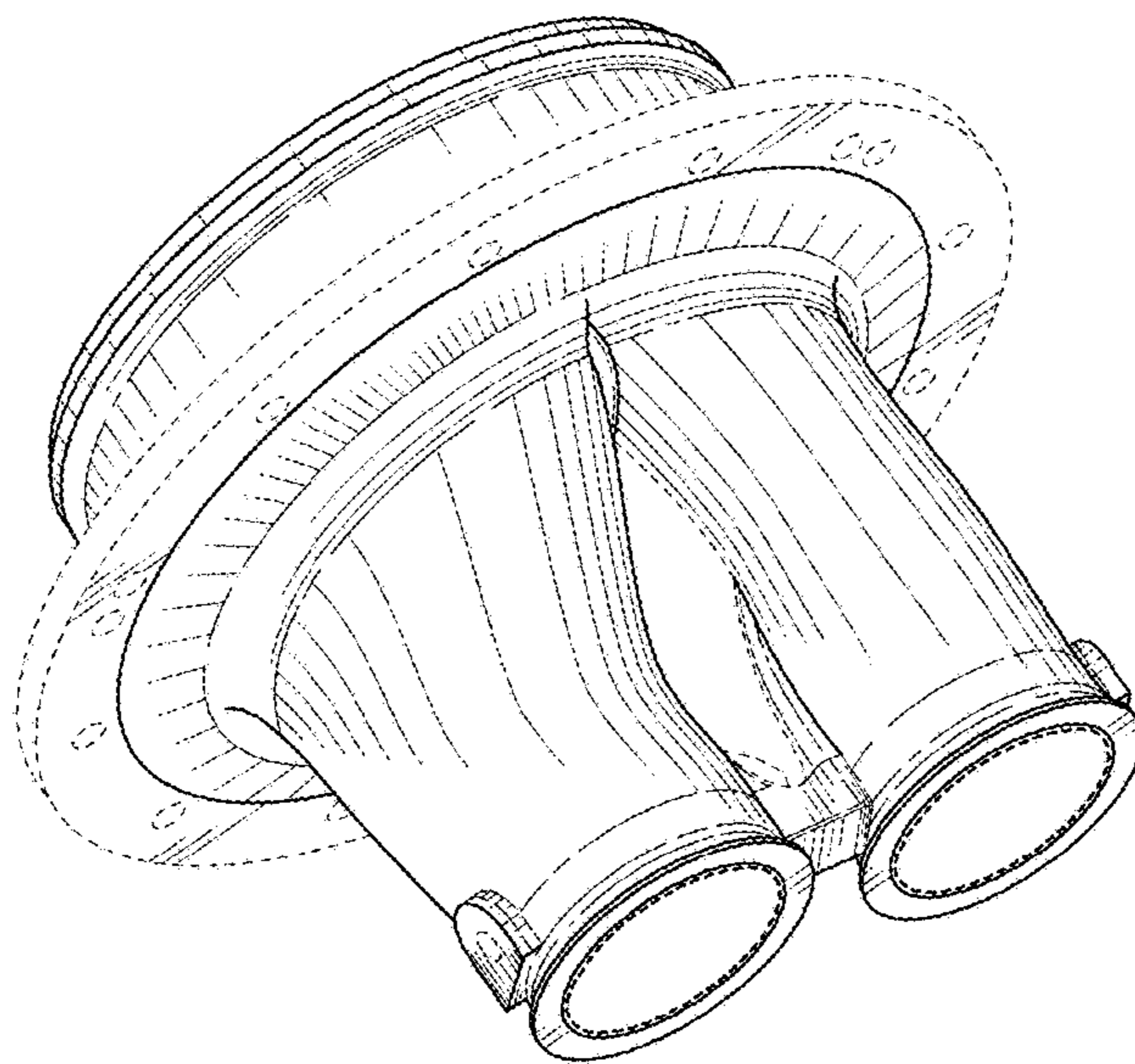


FIG. 7