



US00D859468S

(12) **United States Design Patent** (10) **Patent No.:** **US D859,468 S**
Akamine et al. (45) **Date of Patent:** **** Sep. 10, 2019**

(54) **INTERNAL-COMBUSTION ENGINE**

(71) Applicant: **HONDA MOTOR CO., LTD.**, Tokyo (JP)

(72) Inventors: **Yuko Akamine**, Wako (JP); **Koji Terada**, Wako (JP)

(73) Assignee: **HONDA MOTOR CO., LTD.**, Tokyo (JP)

(**) Term: **15 Years**

(21) Appl. No.: **29/656,198**

(22) Filed: **Jul. 11, 2018**

(30) **Foreign Application Priority Data**

Jan. 12, 2018 (JP) 2018-000357

(51) **LOC (12) Cl.** **15-01**

(52) **U.S. Cl.**
USPC **D15/1**

(58) **Field of Classification Search**
USPC D15/1-5, 11, 12, 17, 14, 149
CPC F01P 5/02; F01P 1/02; F01P 1/06; F01P 2001/023; F02B 75/007; F02B 63/02; F02B 75/02; F02B 2075/022; F02B 75/16; F02B 2075/025; F02B 75/18
See application file for complete search history.

(56) **References Cited**

U.S. PATENT DOCUMENTS

D398,010 S *	9/1998	Yoshida	D15/1
D406,147 S *	2/1999	Watanabe	D15/1
D416,265 S *	11/1999	Kato	D15/1
D453,522 S *	2/2002	Maeda	D15/1
D470,507 S *	2/2003	Maeda	D15/1
D503,410 S *	3/2005	Kato	D15/1
D525,990 S *	8/2006	Ono	D15/1
D637,622 S *	5/2011	Aruga	D15/5

D643,854 S *	8/2011	Sugiyama	D15/5
D644,664 S *	9/2011	Sugiyama	D15/1
D646,299 S *	10/2011	Aruga	D15/1
D673,976 S *	1/2013	Yuasa	D15/1
D682,782 S *	5/2013	Yamamoto	D13/112
D682,884 S *	5/2013	Aruga	D15/5
D700,620 S *	3/2014	Aruga	D15/1
D701,886 S *	4/2014	Maeda	D15/5
D704,741 S *	5/2014	Tinius	D15/1
D788,823 S *	6/2017	Ito	D15/1
D794,077 S *	8/2017	Shimogami	D15/1
2013/0284126 A1 *	10/2013	Kimura	F01P 1/06 123/2

* cited by examiner

Primary Examiner — T Chase Nelson

Assistant Examiner — Ania K Aman

(74) *Attorney, Agent, or Firm* — Westerman, Hattori, Daniels & Adrian, LLP

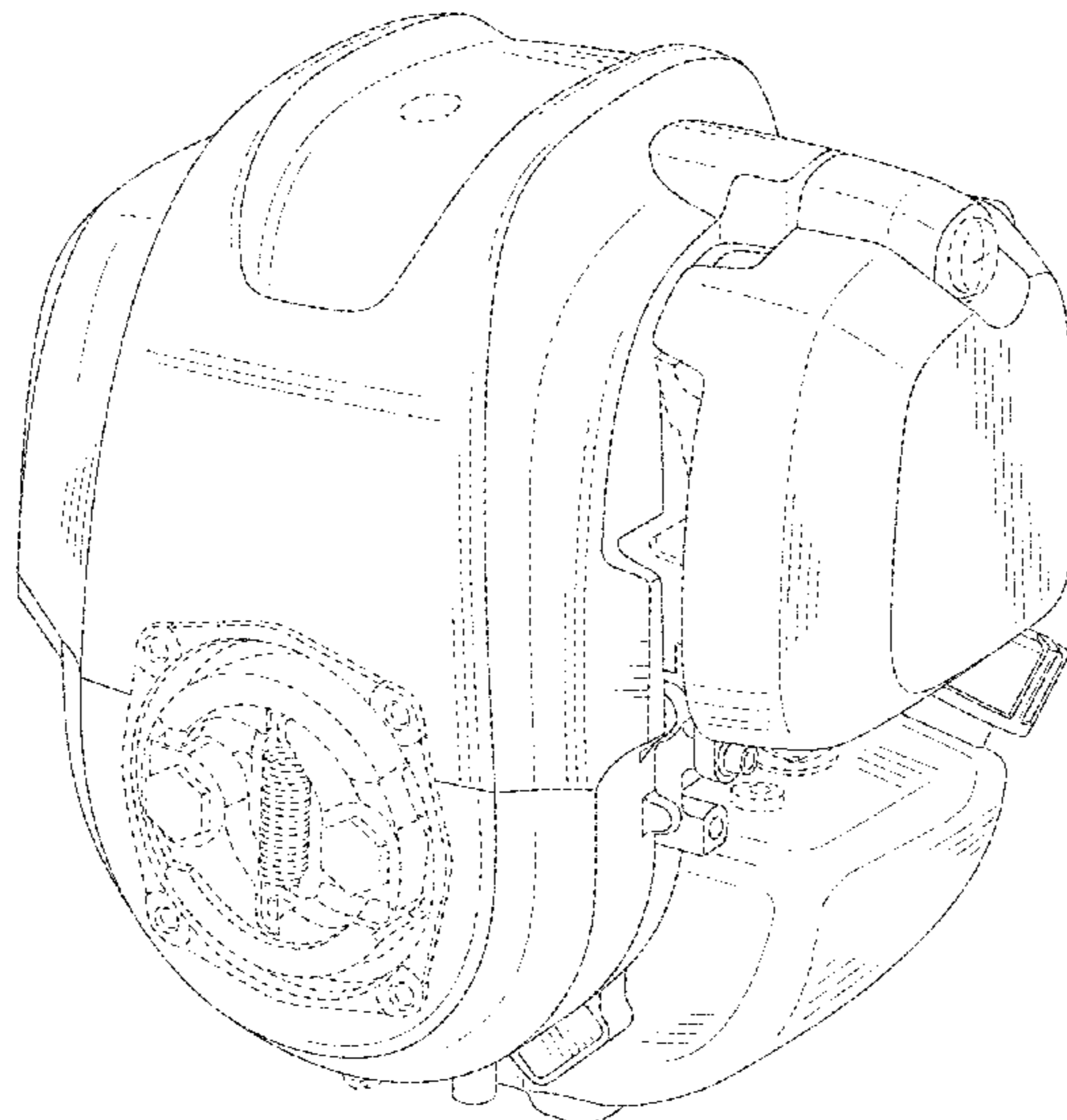
(57) **CLAIM**

The ornamental design for an internal-combustion engine, as shown and described.

DESCRIPTION

FIG. 1 is a first front perspective view of an internal-combustion engine, showing our new design;
FIG. 2 is a first rear perspective view thereof;
FIG. 3 is a second front perspective view thereof;
FIG. 4 is a second rear perspective view thereof;
FIG. 5 is a front elevation view thereof;
FIG. 6 is a rear elevation view thereof;
FIG. 7 is a top plan view thereof;
FIG. 8 is a bottom plan view thereof;
FIG. 9 is a right side elevation view thereof; and,
FIG. 10 is a left side elevation view thereof.
The broken lines in the drawings illustrate portions of the internal-combustion engine that form no part of the claimed design.

1 Claim, 10 Drawing Sheets



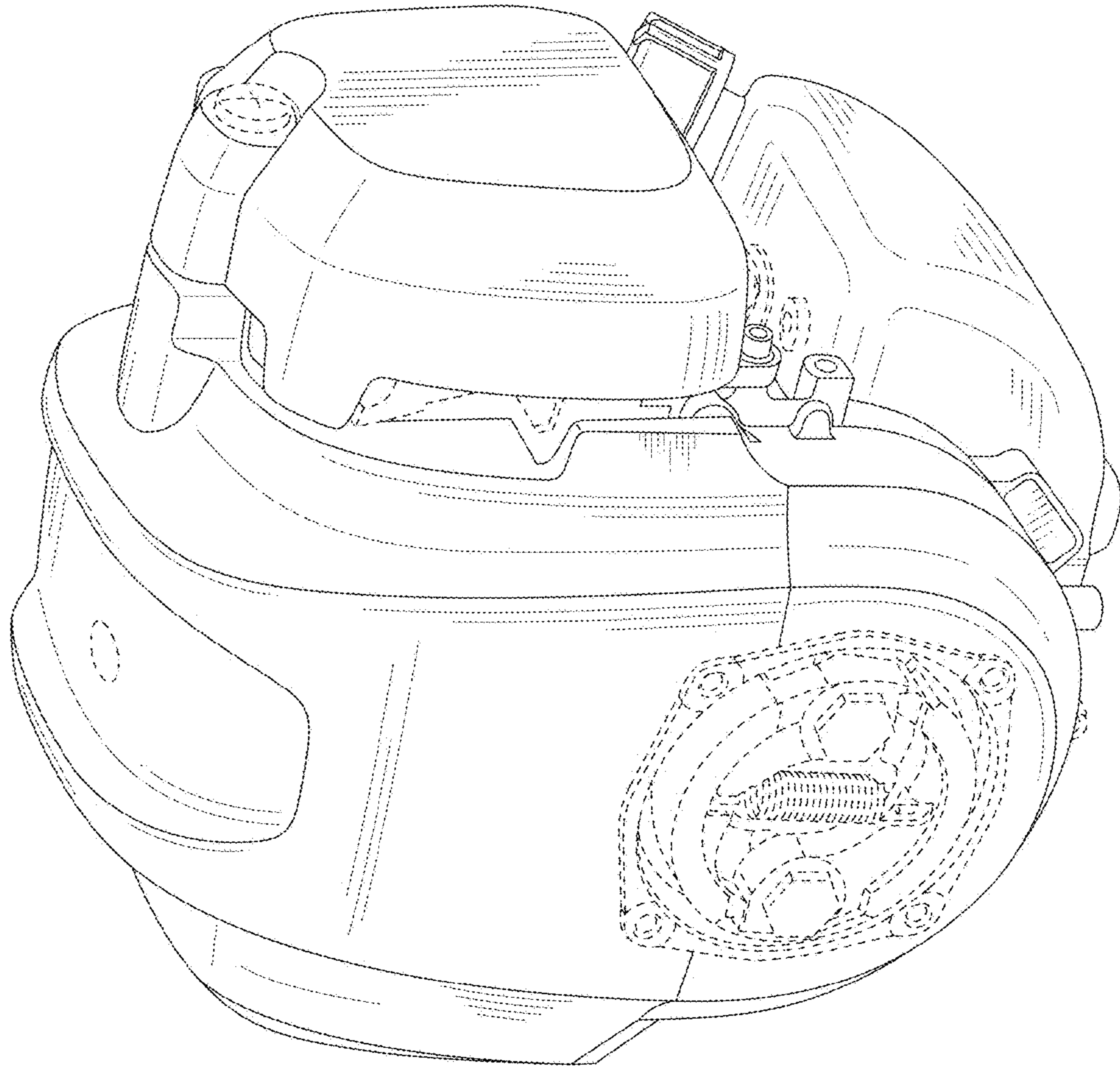


Fig.1

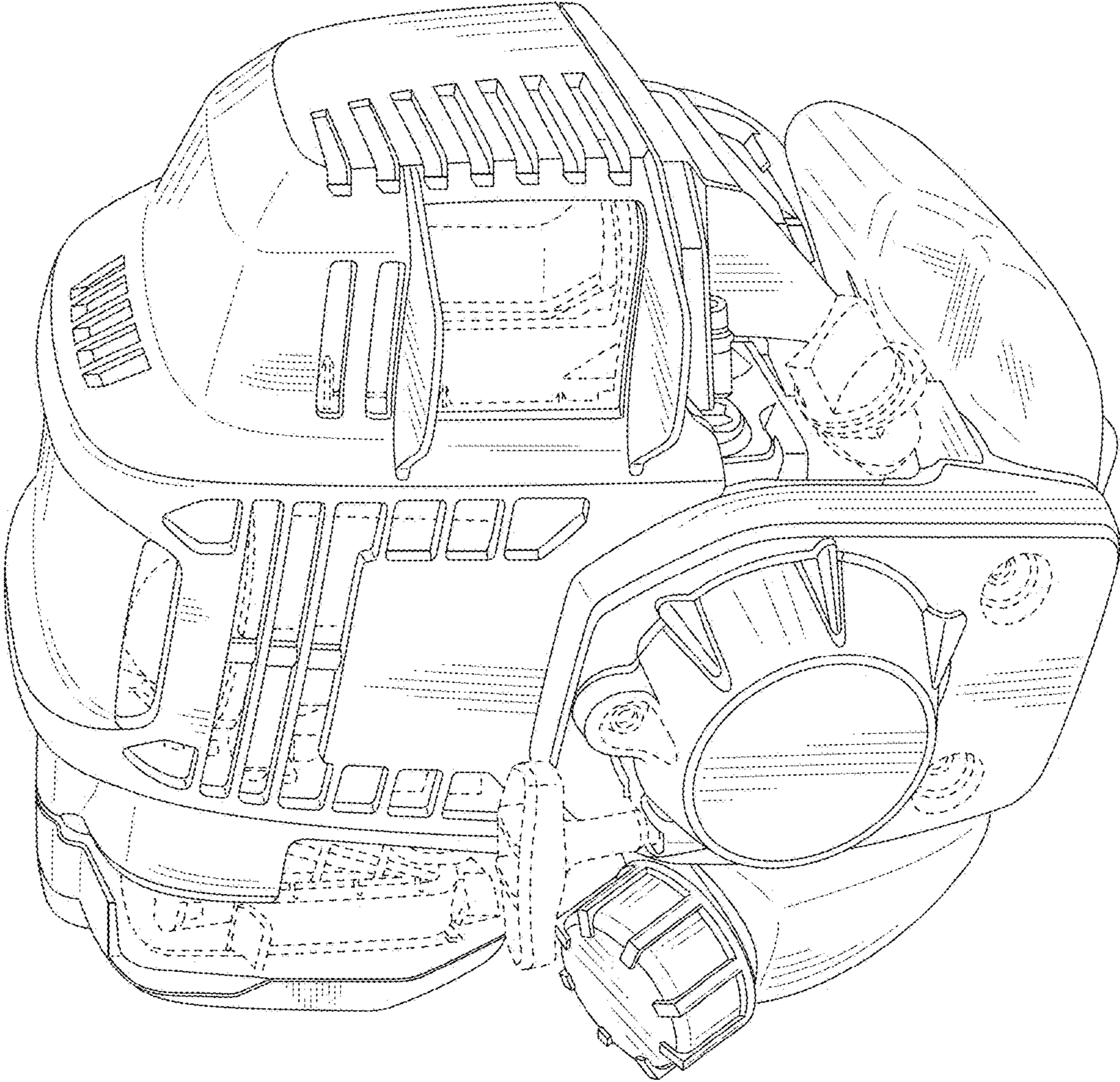


Fig.2

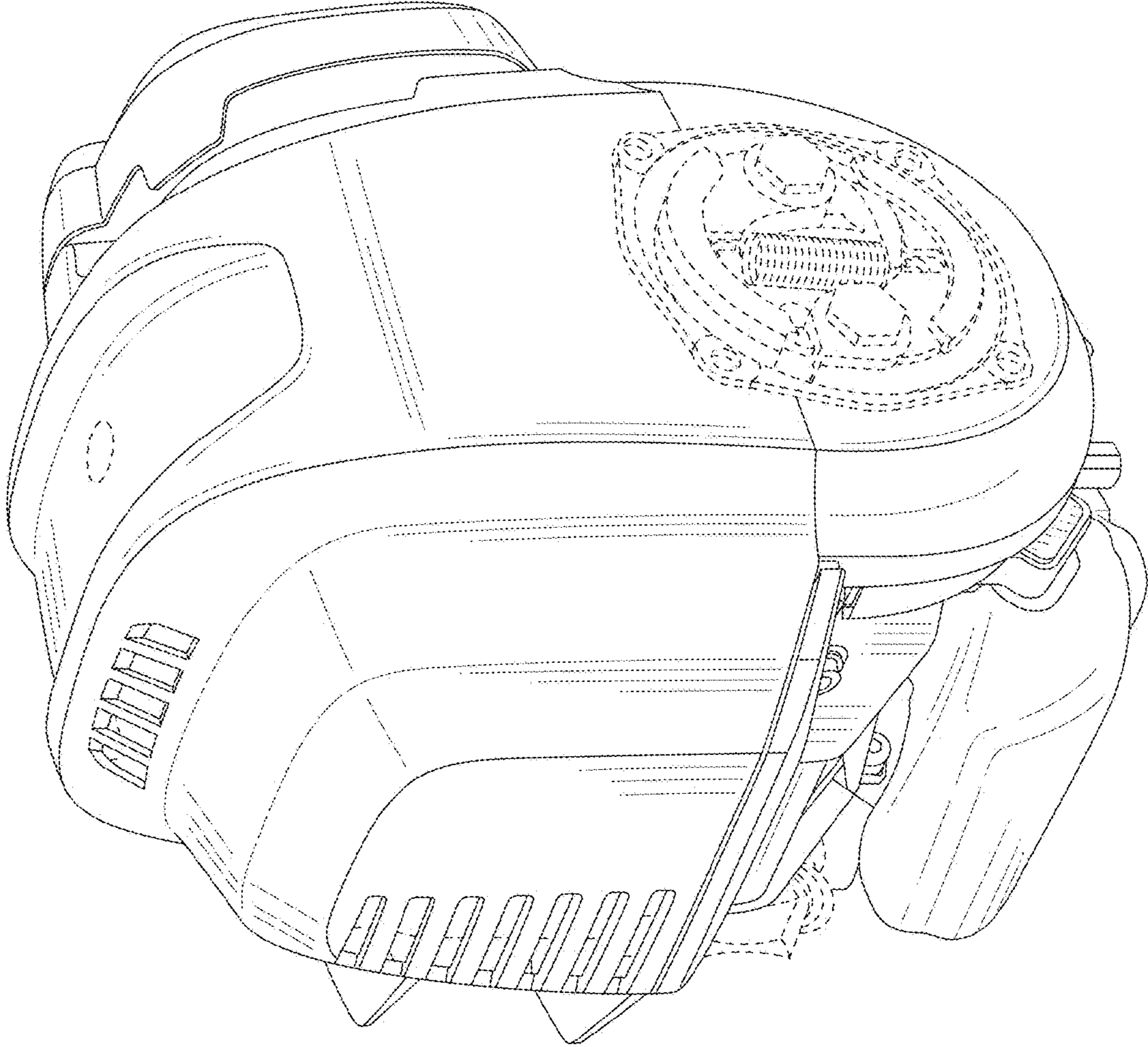


Fig. 3

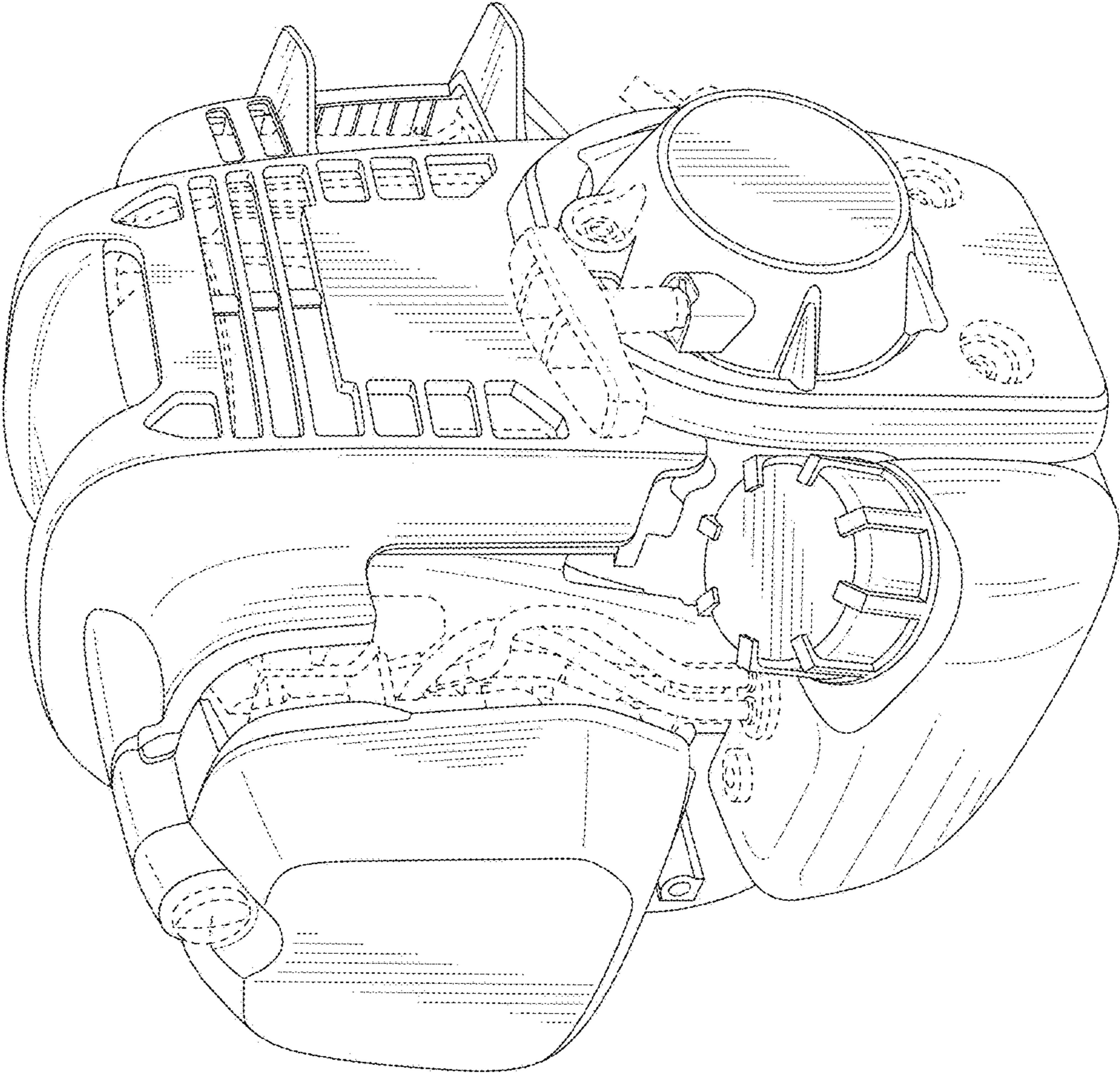


Fig.4

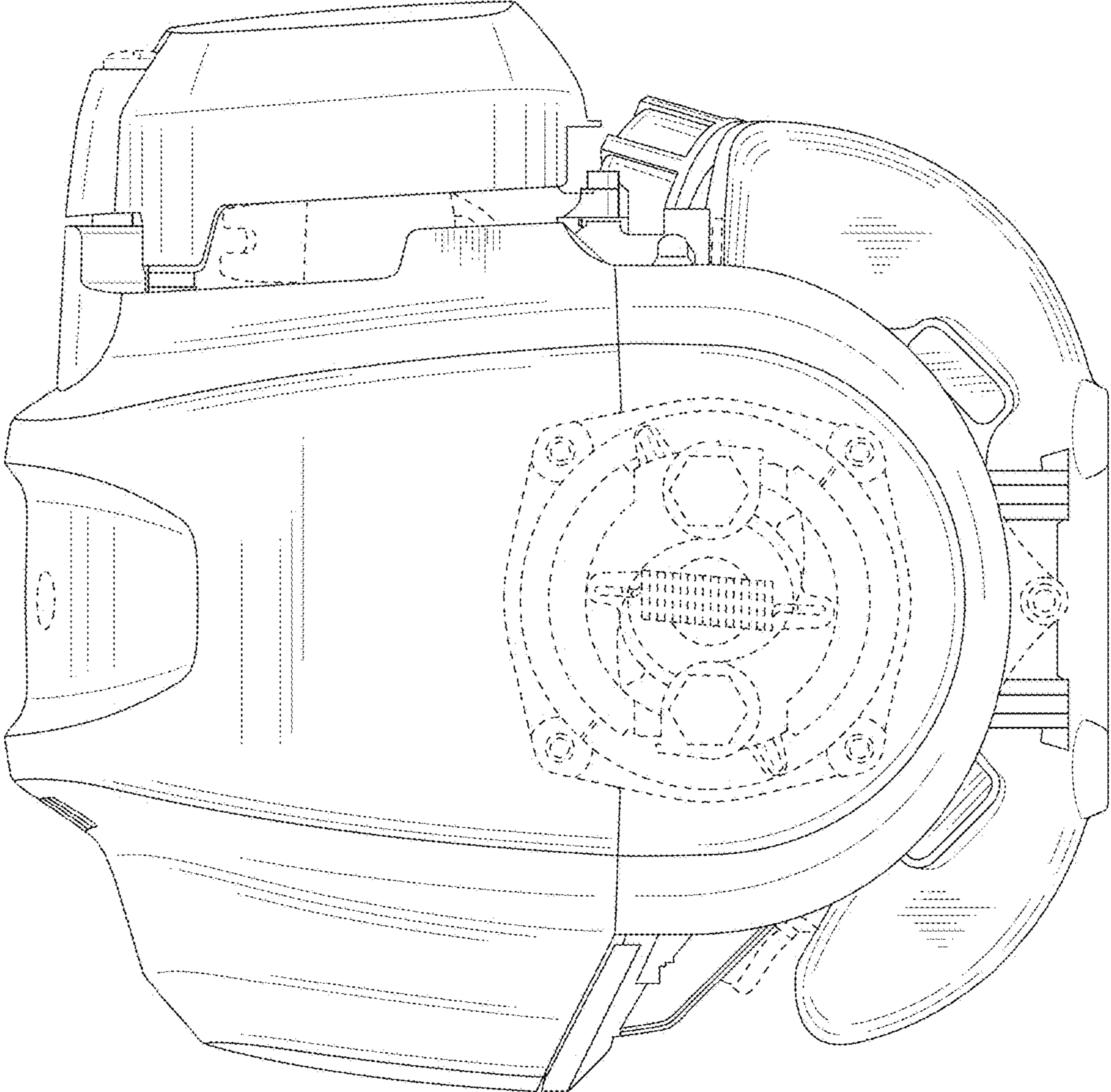


Fig. 5

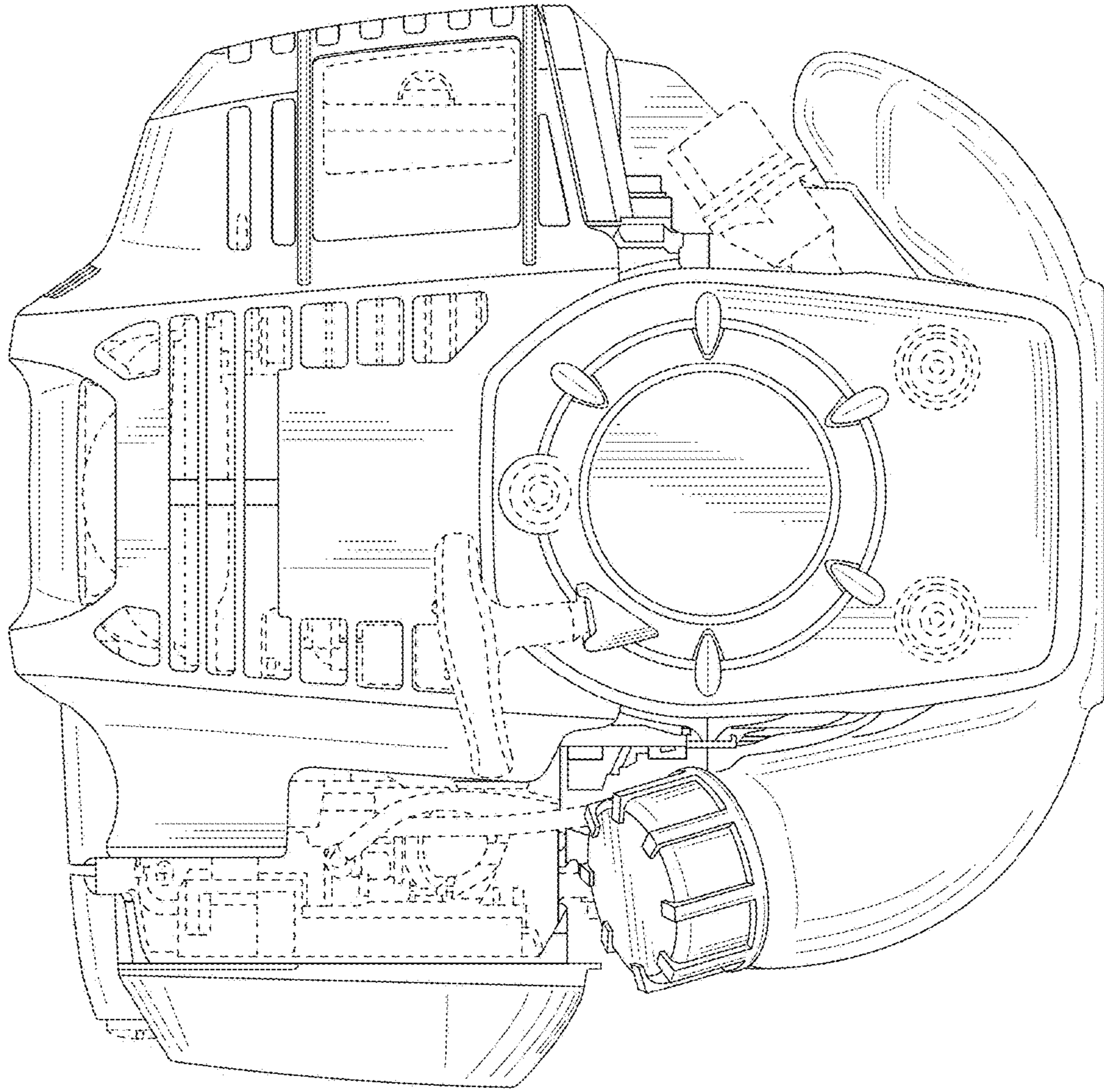


Fig.6

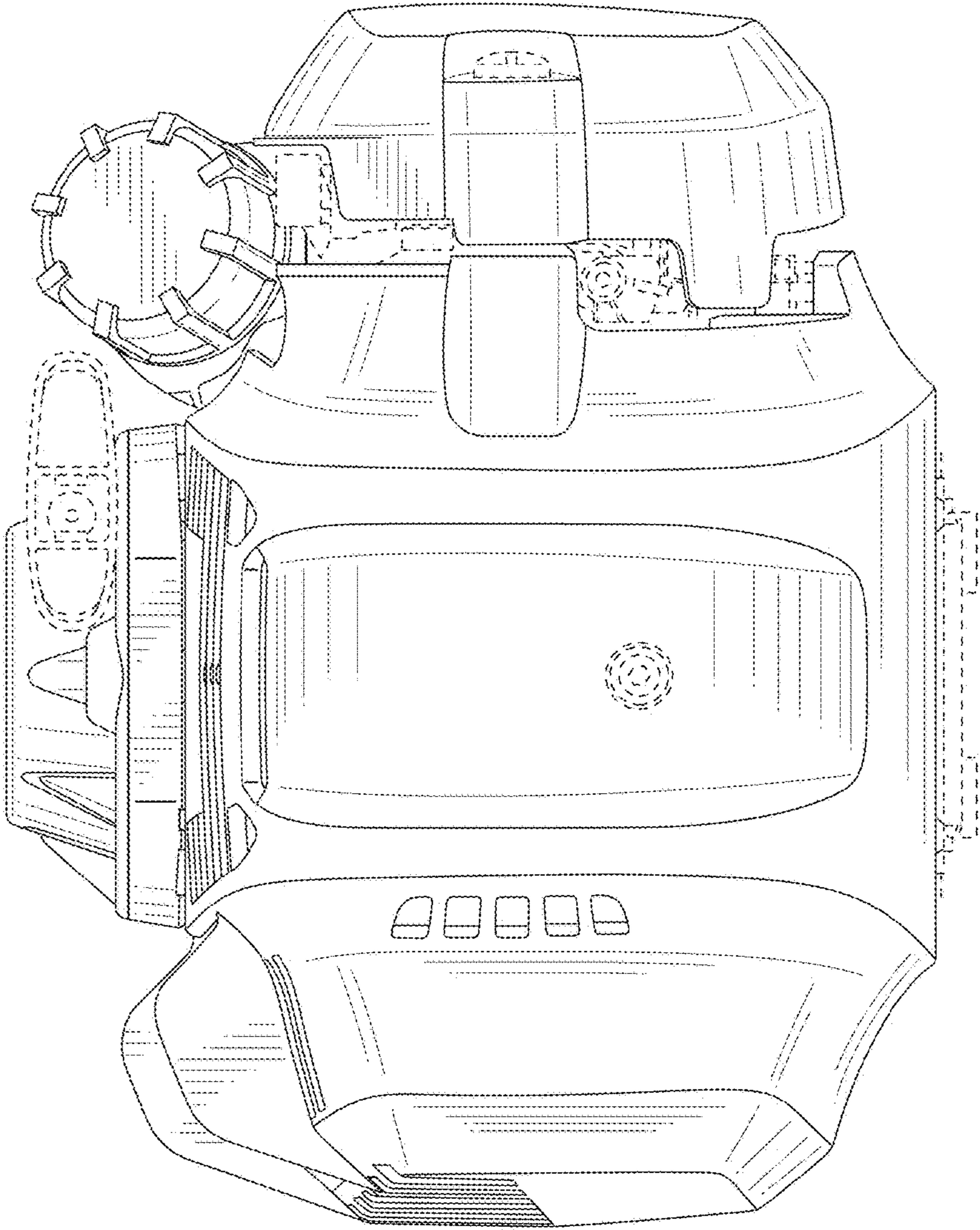


Fig.7

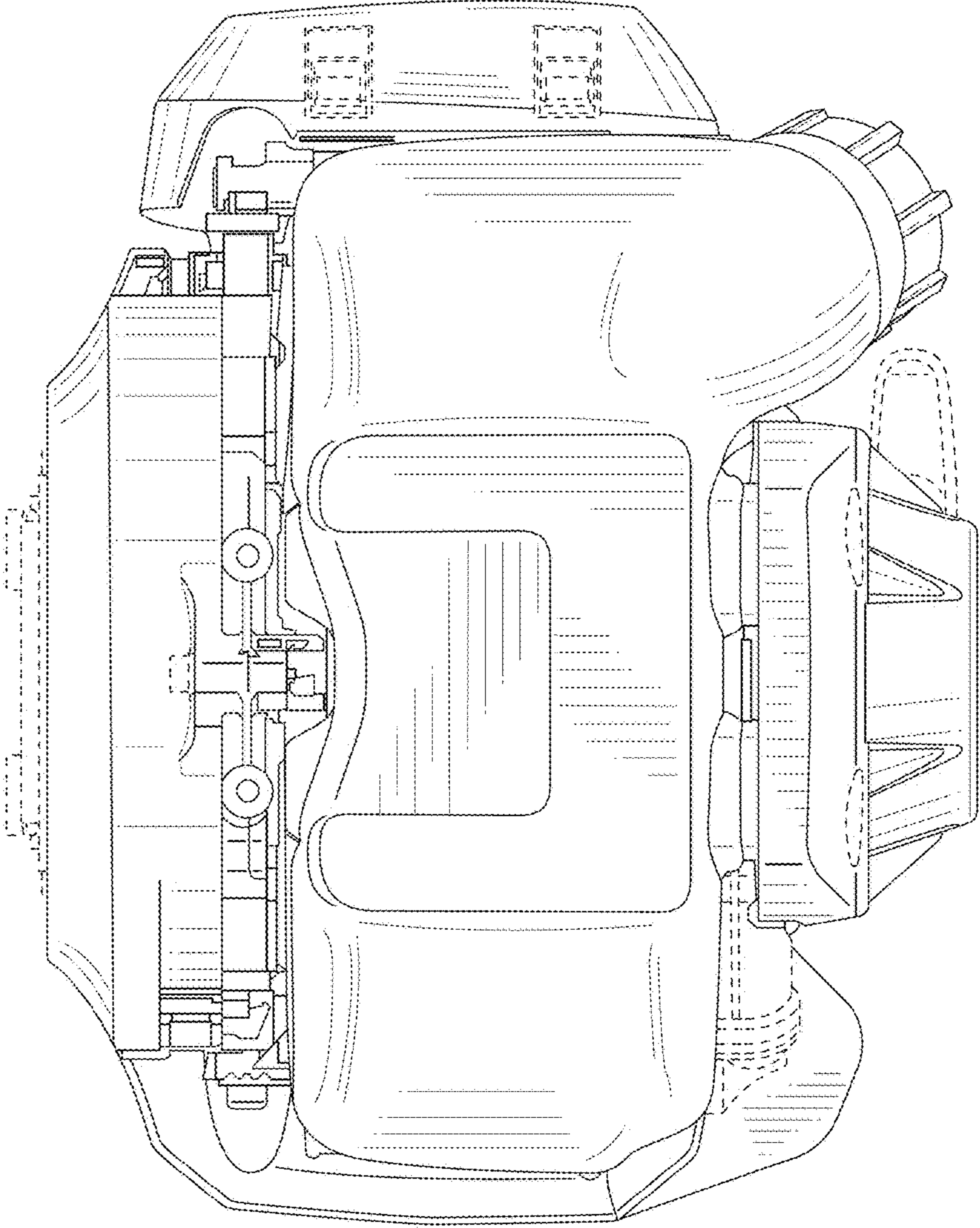


Fig. 8

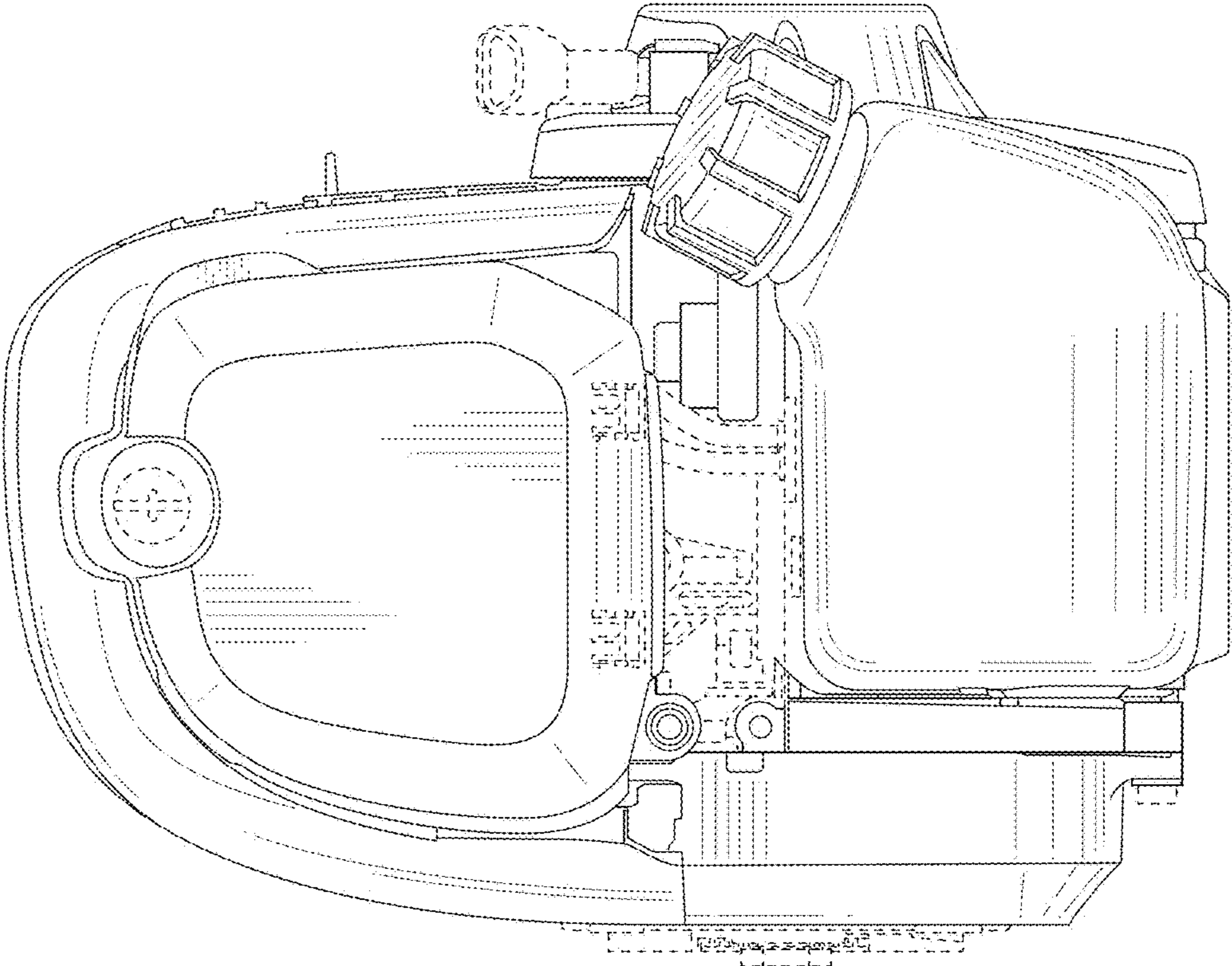


Fig.9

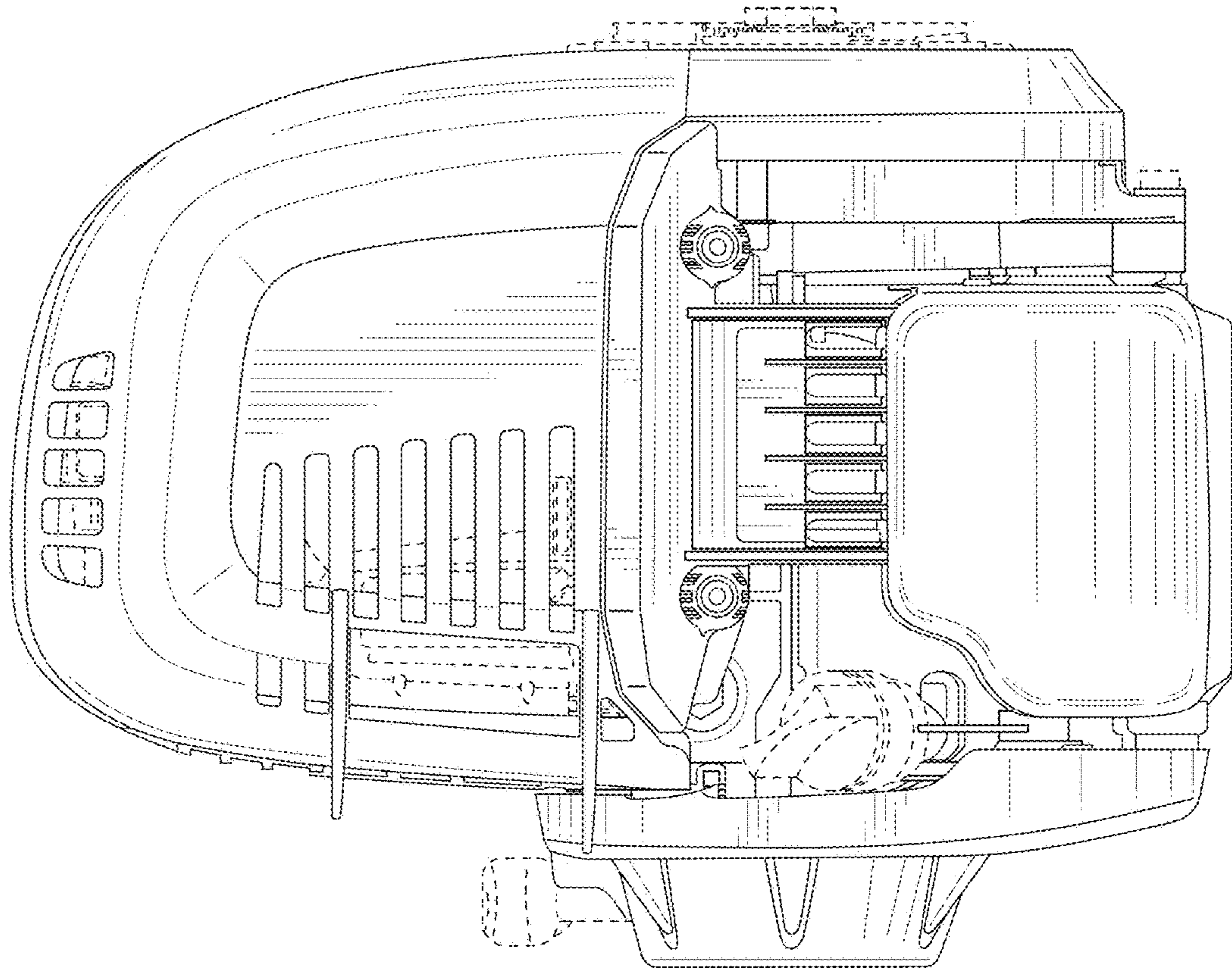


Fig. 10