



US00D859466S

(12) **United States Design Patent**
Okada et al.

(10) **Patent No.:** **US D859,466 S**

(45) **Date of Patent:** **** Sep. 10, 2019**

(54) **DISPLAY SCREEN WITH TRANSITIONAL GRAPHICAL USER INTERFACE**

(71) Applicant: **KOBELCO CONSTRUCTION MACHINERY CO., LTD.**,
Hiroshima-shi, Hiroshima (JP)

(72) Inventors: **Tomofumi Okada**, Hiroshima (JP); **Hisanobu Mori**, Hiroshima (JP); **Jun Tsuruda**, Hiroshima (JP); **Tomohiko Ochi**, Hiroshima (JP); **Takayuki Doi**, Hiroshima (JP)

(73) Assignee: **KOBELCO CONSTRUCTION MACHINERY CO., LTD.**,
Hiroshima-Shi, Hiroshima (JP)

(**) Term: **15 Years**

(21) Appl. No.: **29/627,551**

(22) Filed: **Nov. 28, 2017**

(30) **Foreign Application Priority Data**

May 31, 2017 (JP) 2017-011605

(51) **LOC (12) Cl.** **14-04**

(52) **U.S. Cl.**
USPC **D14/492**

(58) **Field of Classification Search**
USPC D14/485-495
CPC H04N 1/0044; H04N 1/00477; H04N 1/00196; H04N 21/478; G06F 3/0481; G06F 3/04817; G06F 3/0482; G06F 3/04847; G06F 3/0485; G06F 3/048; G06F 3/0488; G06F 17/30053; G06F 3/0489; G06F 15/0225; G10H 1/0008; G06T 2200/24; B29C 45/0017; B29C 45/14639; B29C 45/14754; B29C 45/1671; B29C 2793/00; E02F 9/26; E02F 3/32; E02F 9/20

See application file for complete search history.

(56) **References Cited**

U.S. PATENT DOCUMENTS

D321,903 S *	11/1991	Chepaitis	D14/488
D406,124 S *	2/1999	Newton	D14/491
D431,067 S *	9/2000	Hansen	D14/489
D535,303 S *	1/2007	Armstrong	D14/489
D547,323 S *	7/2007	Ivanov	D14/489
D580,453 S *	11/2008	Steele	D14/491
D581,425 S *	11/2008	Jasinski	D14/489
D581,426 S *	11/2008	Jasinski	D14/489
D582,427 S *	12/2008	Neuhaus	D14/491

(Continued)

Primary Examiner — Darlington Ly

Assistant Examiner — Katherine A Holbrow

(74) *Attorney, Agent, or Firm* — Birch, Stewart, Kolasch & Birch, LLP

(57) **CLAIM**

The ornamental design for a display screen with transitional graphical user interface, as shown and described.

DESCRIPTION

FIG. 1 is a front view of a first image in a sequence for a display screen with transitional graphical user interface showing our new design.

FIG. 2 shows the design of FIG. 1, shown enlarged for clarity of illustration;

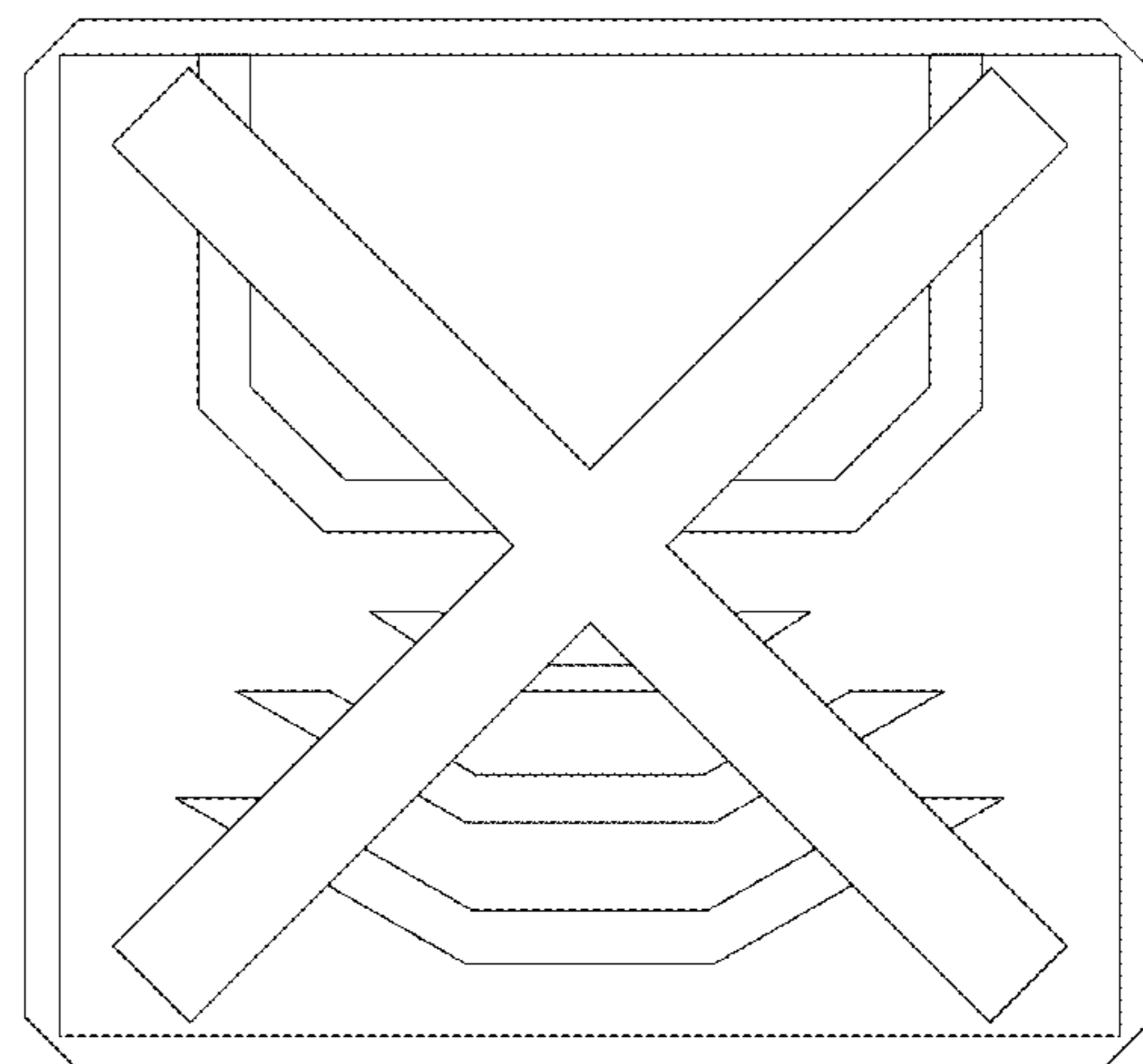
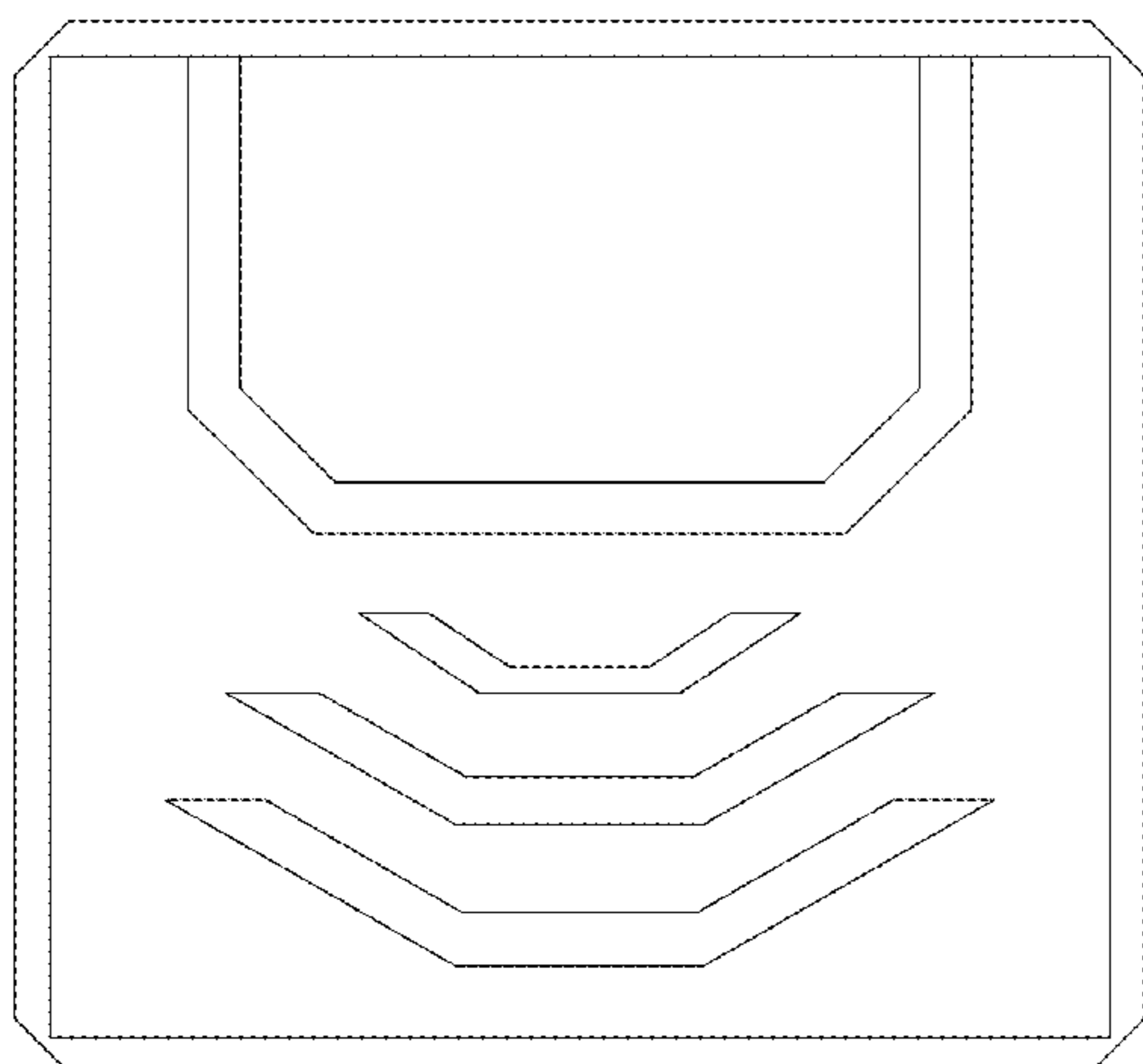
FIG. 3 is a second image thereof; and,

FIG. 4 shows the design of FIG. 3, shown enlarged for clarity of illustration.

The appearance of the transitional image sequentially transitions between the images shown in FIGS. 1 and 3, and between FIGS. 2 and 4. The process or period in which one image transitions to another image forms no part of the claimed design.

The broken lines depicting a device, display screen and all other broken lines form no part of the claimed design.

1 Claim, 4 Drawing Sheets



(56)

References Cited

U.S. PATENT DOCUMENTS

D624,929 S * 10/2010 Agnetta D14/487
D645,873 S * 9/2011 Cavanaugh D14/488
D703,692 S * 4/2014 Phelan D14/488
D724,620 S * 3/2015 Hansen D14/489
D746,324 S * 12/2015 Kim D14/489
D761,307 S * 7/2016 Woo D14/489
D761,310 S * 7/2016 Brinda D14/491
D761,856 S * 7/2016 Lee D14/491
D792,459 S * 7/2017 Lee D14/491
D792,463 S * 7/2017 Mo D14/492
D807,904 S * 1/2018 Howard D14/486
D829,764 S * 10/2018 Clapper D14/489
2013/0006495 A1 * 1/2013 Tajima F02D 41/027
701/102
2013/0169690 A1 * 7/2013 Gotou B60R 1/00
345/660
2015/0354178 A1 * 12/2015 Jeong E02F 9/267
340/438
2018/0016771 A1 * 1/2018 Izumikawa E02F 9/26

* cited by examiner

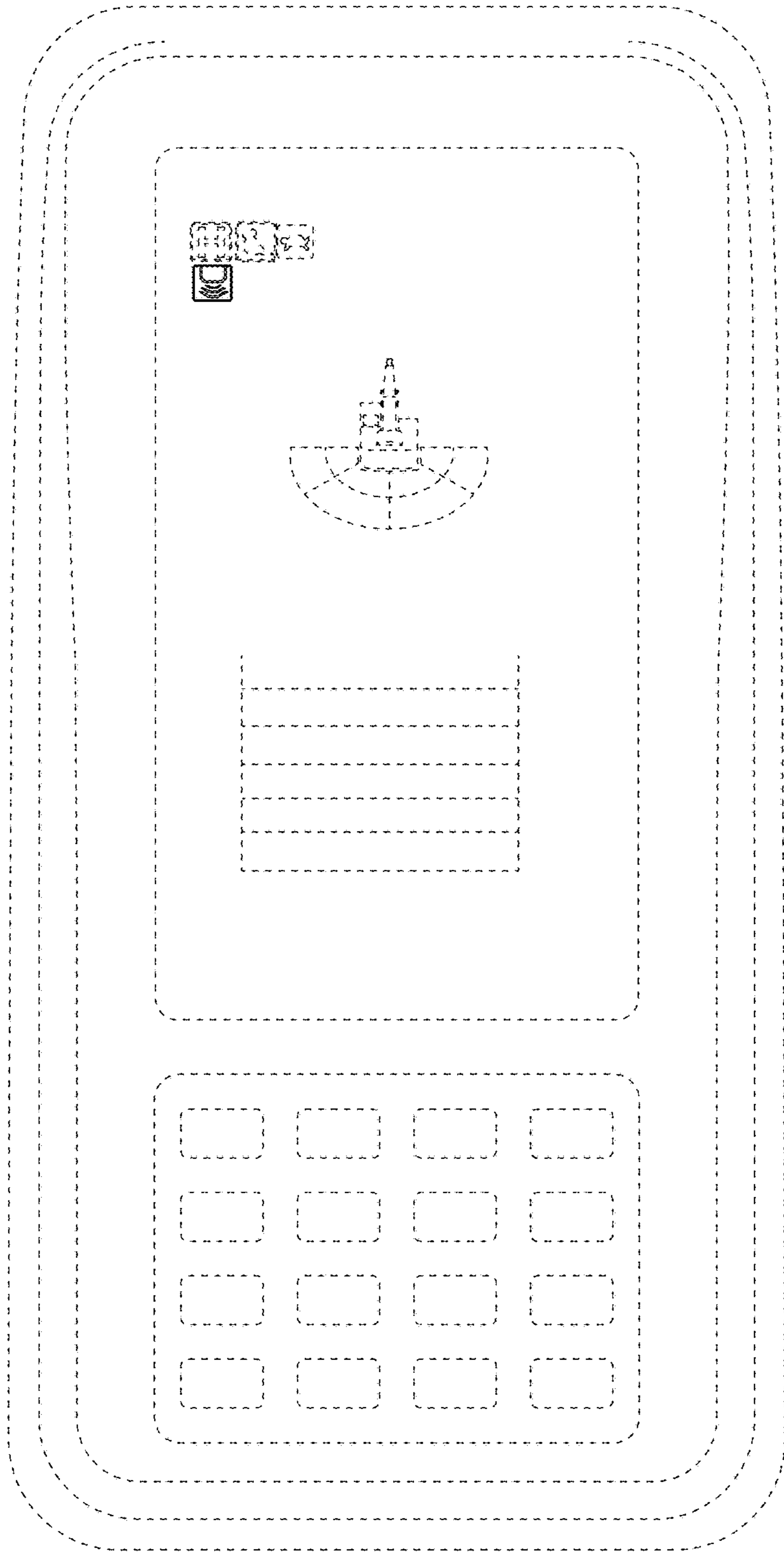


FIG.1

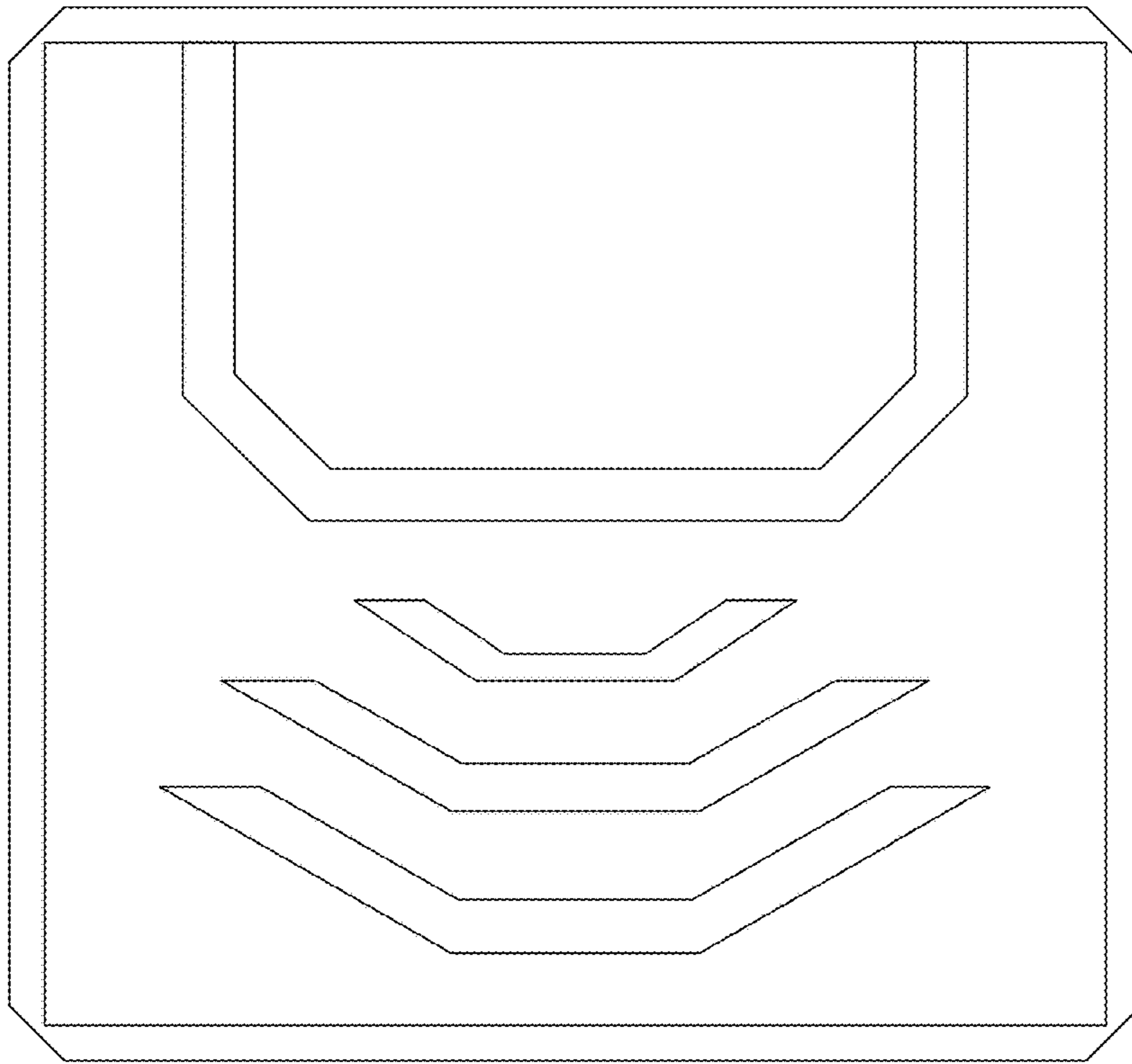


FIG.2

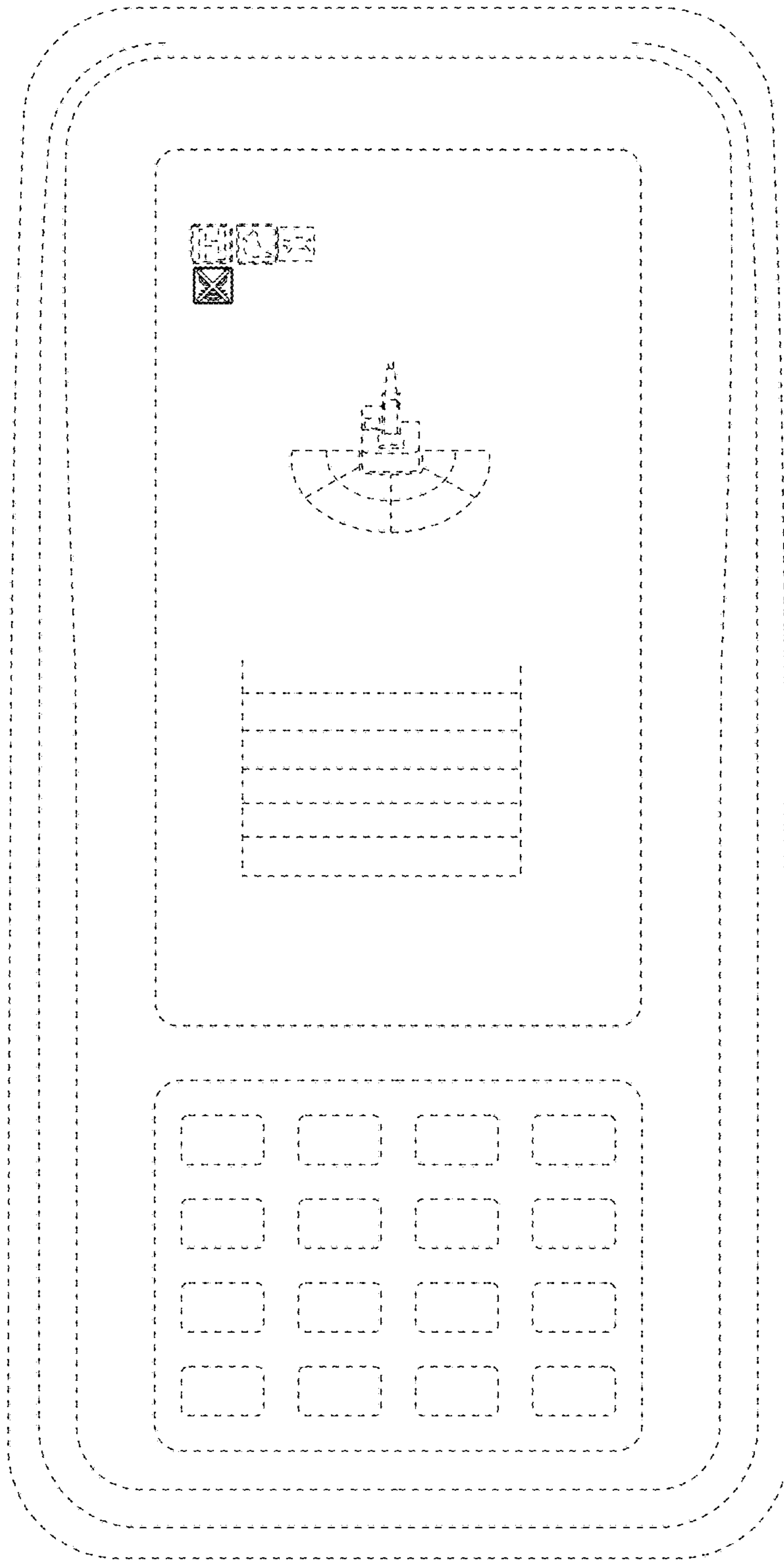


FIG.3

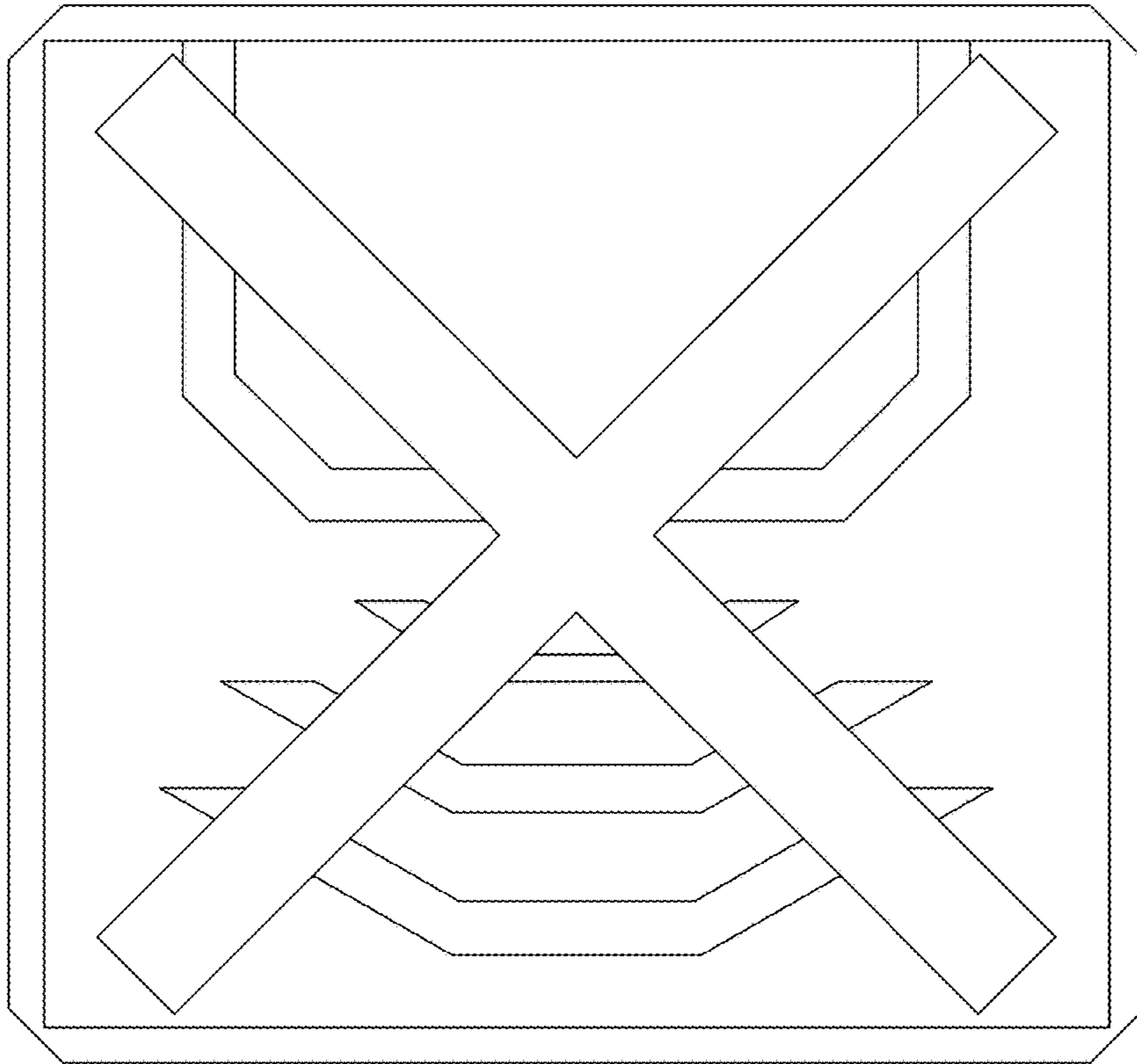


FIG.4