



US00D859422S

(12) **United States Design Patent** (10) **Patent No.:** **US D859,422 S**
Borloz et al. (45) **Date of Patent:** **** Sep. 10, 2019**

(54) **SUPPORT ARM**

(71) Applicant: **GCX Corporation**, Petaluma, CA (US)

(72) Inventors: **Paul Rene Borloz**, Petaluma, CA (US);
Joshua Kawarii Littlefield, Santa Rosa, CA (US); **Cristian J. Daugbjerg**, Novato, CA (US); **Robert Peter Glaser**, Corte Madera, CA (US); **Frankie Vazquez**, San Francisco, CA (US); **Elvin Chu**, San Francisco, CA (US)

(73) Assignee: **GCX Corporation**, Petaluma, CA (US)

(**) Term: **15 Years**

(21) Appl. No.: **29/639,468**

(22) Filed: **Mar. 6, 2018**

(51) **LOC (12) Cl.** **14-02**

(52) **U.S. Cl.**
USPC **D14/452**

(58) **Field of Classification Search**
USPC D14/447-452, 336, 341, 371, 373, 374,
D14/375, 376, 377, 126, 127, 128, 129
(Continued)

(56) **References Cited**

U.S. PATENT DOCUMENTS

D435,107 S * 12/2000 Blair D24/186
6,779,767 B2 * 8/2004 Kuhn F16M 11/08
248/276.1

(Continued)

FOREIGN PATENT DOCUMENTS

CN 301216640 * 5/2010
CN 304056418 * 2/2017
JP D1287161 * 11/2006

OTHER PUBLICATIONS

Amazon. Link: <http://a.co/d/9cVsIHj>. Aug. 11, 2018. Single Arm Wall Mount Monitor Stand. (Year: 2018).*

Primary Examiner — Susan Bennett Hattan
Assistant Examiner — Lauren D McVey
(74) *Attorney, Agent, or Firm* — Michael A. Glenn;
Perkins Coie LLP

(57) **CLAIM**

The ornamental design for a support arm, as shown and described.

DESCRIPTION

FIG. 1 is a front perspective view of a support arm, in a lower position, in a first environment.
FIG. 2 is a rear perspective view thereof.
FIG. 3 is a top view thereof.
FIG. 4 is a right side view thereof.
FIG. 5 is a front view thereof.
FIG. 6 is a left side view thereof.
FIG. 7 is a bottom view thereof.
FIG. 8 is a front perspective view of a support arm, in an upper position, in a first environment.
FIG. 9 is a rear perspective view thereof.
FIG. 10 is a top view thereof.
FIG. 11 is a right side view thereof.
FIG. 12 is a front view thereof.
FIG. 13 is a left side thereof.
FIG. 14 is a bottom thereof.
FIG. 15 is a front perspective view of a support arm, in a horizontal position, in a first environment.
FIG. 16 is a rear perspective view thereof.
FIG. 17 is a top view thereof.
FIG. 18 is a right side view thereof.
FIG. 19 is a front view thereof.
FIG. 20 is a left side view thereof.
FIG. 21 is a bottom view thereof.
FIG. 22 is a front perspective view of a support arm, in a lower position, in a second environment.
FIG. 23 is a rear perspective view thereof.
FIG. 24 is a top view thereof.
FIG. 25 is a right side view thereof.
FIG. 26 is a front view thereof.
FIG. 27 is a left side view thereof.
FIG. 28 is a bottom view thereof.

(Continued)

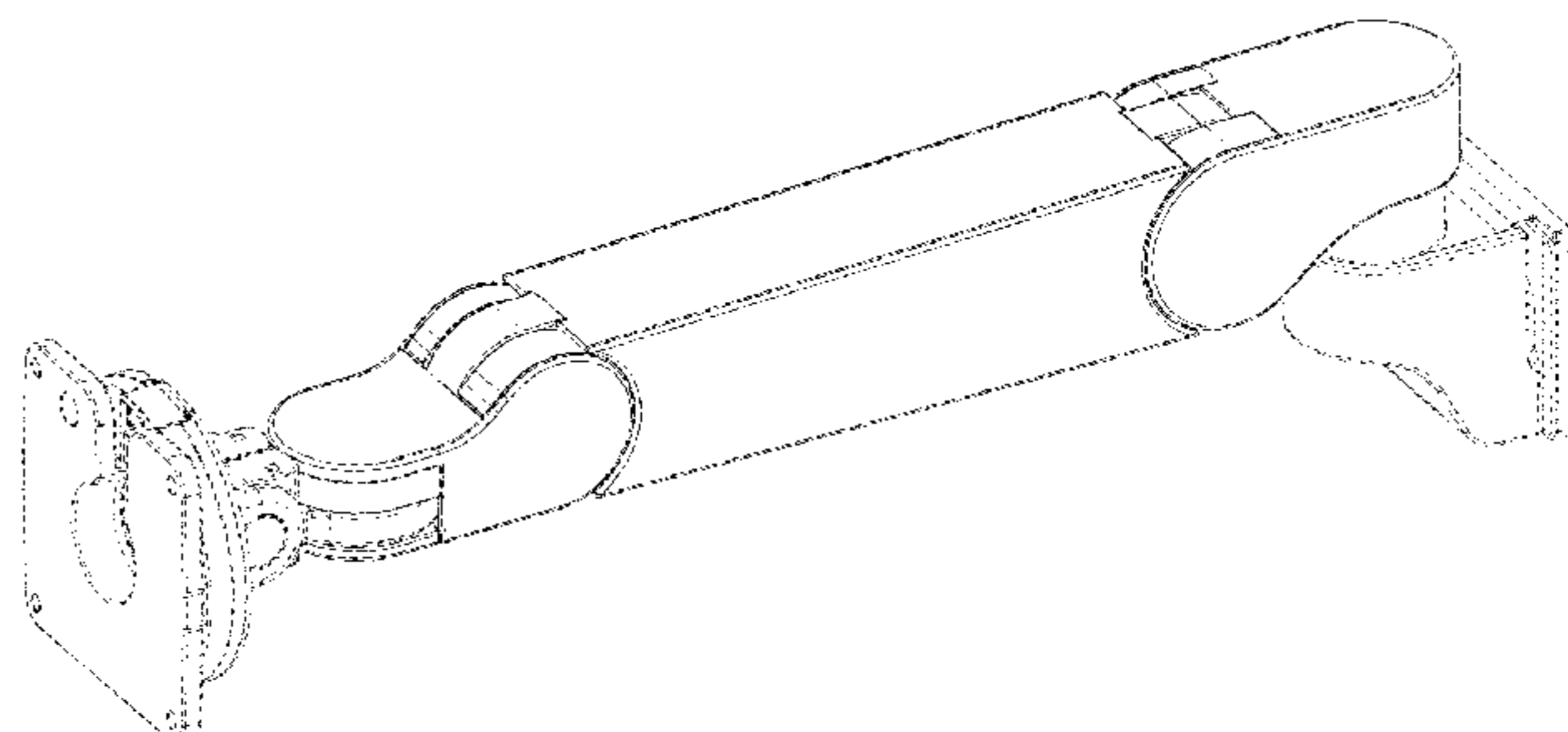
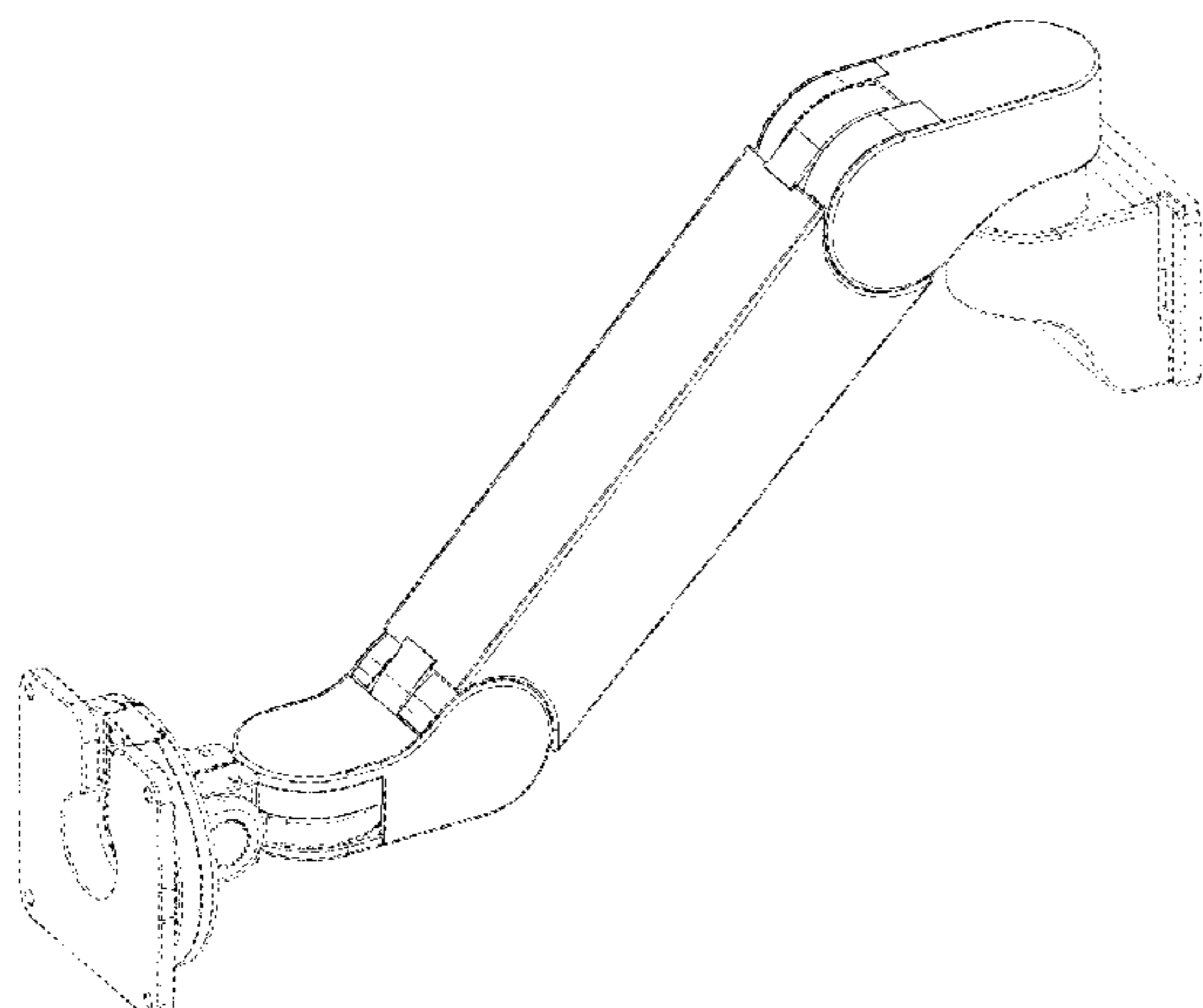


FIG. 29 is a front perspective view of a support arm, in a horizontal position, in a second environment.
FIG. 30 is a rear perspective view thereof.
FIG. 31 is a top view thereof.
FIG. 32 is a right side view thereof.
FIG. 33 is a front view thereof.
FIG. 34 is a left side view thereof.
FIG. 35 is a bottom view thereof.
FIG. 36 is a front perspective view of a support arm, in an upper position, in a second environment.
FIG. 37 is a rear perspective view thereof.
FIG. 38 is a top view thereof.
FIG. 39 is a right side view thereof.
FIG. 40 is a front view thereof.
FIG. 41 is a left side view thereof; and,
FIG. 42 is a bottom view thereof.
The broken lines are directed to the environment and form no part of the claimed design.
The wire frame lines shown throughout the views are intended to indicate surface contour.

1 Claim, 42 Drawing Sheets

(58) **Field of Classification Search**

CPC F16M 11/105; F16M 11/10; F16M 11/048;
F16M 11/12; F16M 13/022

See application file for complete search history.

(56) **References Cited**

U.S. PATENT DOCUMENTS

D537,323	S *	2/2007	Saez	D14/452
D540,658	S *	4/2007	Worrall	D8/363
7,971,840	B2 *	7/2011	Hirschhorn	F16M 11/041 248/123.11
D675,905	S *	2/2013	Bowman	D8/363
8,960,632	B2 *	2/2015	Fallows	F16M 11/2092 248/276.1
D798,848	S *	10/2017	Frank	D14/239
D805,085	S *	12/2017	Xiang	D14/452
9,835,290	B2 *	12/2017	Hunt	F16M 11/041
D830,371	S *	10/2018	Lau	D14/452
2006/0060735	A1 *	3/2006	Oddsen, Jr.	F16M 11/105 248/278.1
2018/0112820	A1 *	4/2018	Lau	F16M 11/14

* cited by examiner

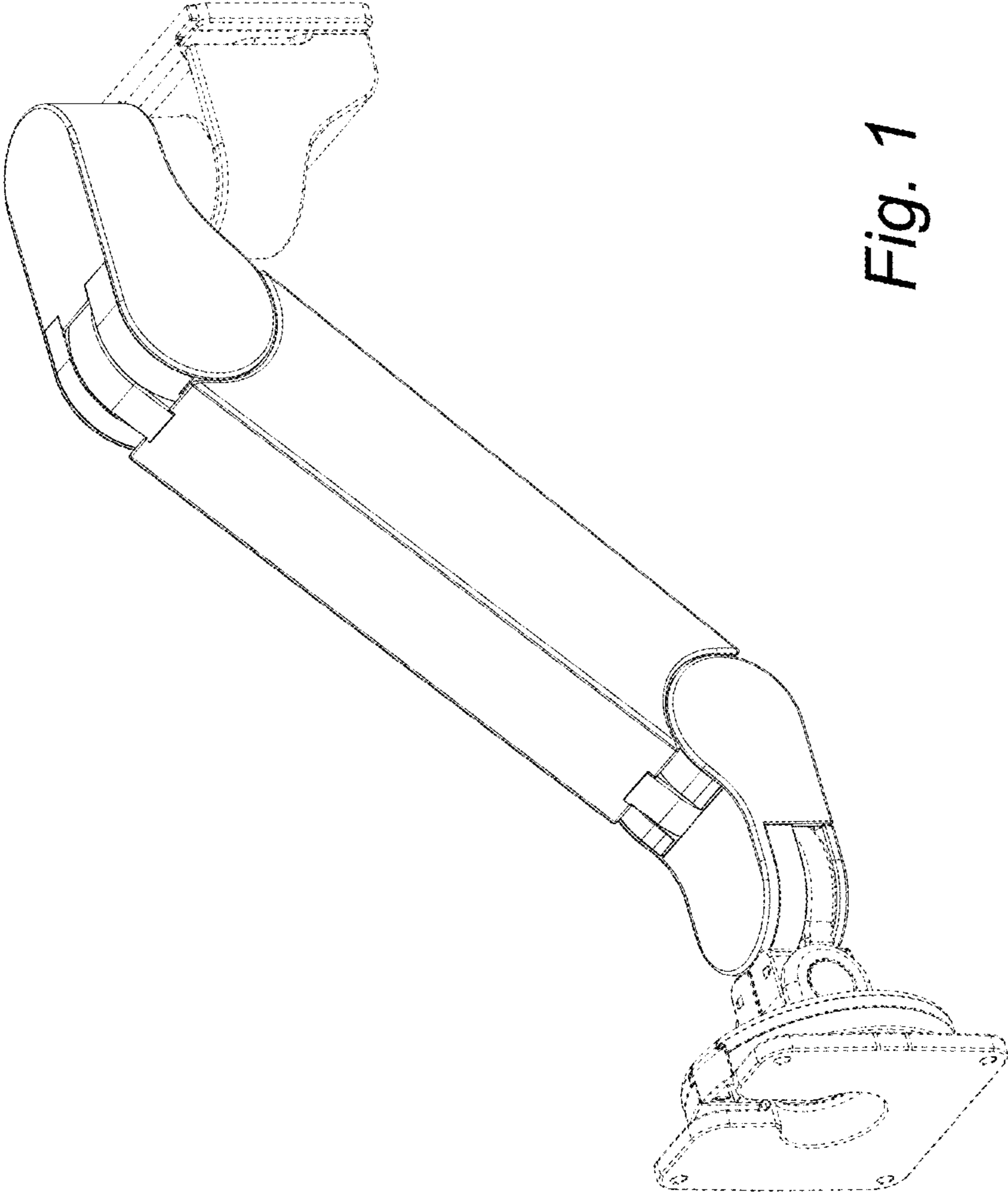


Fig. 1

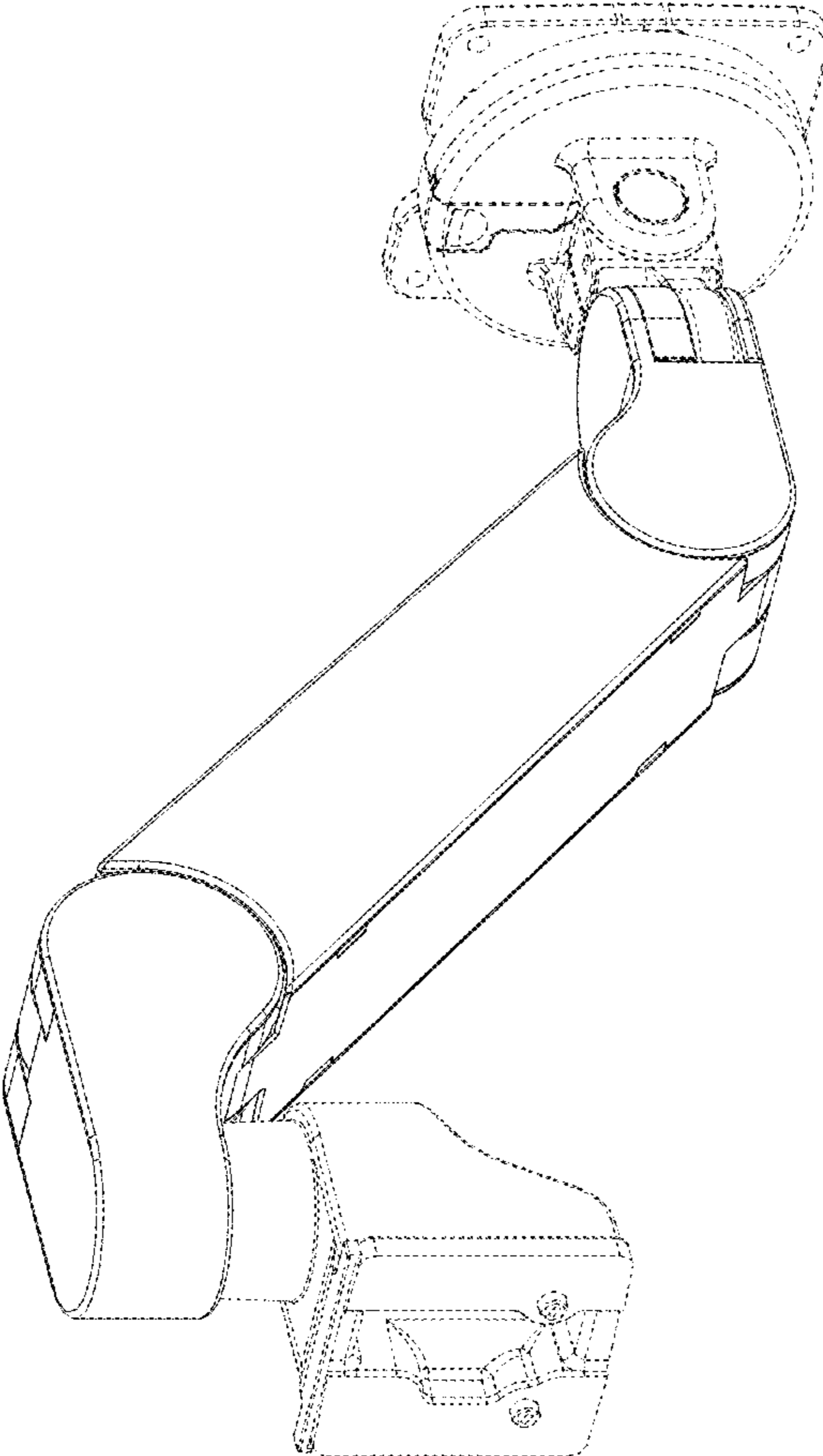


Fig. 2

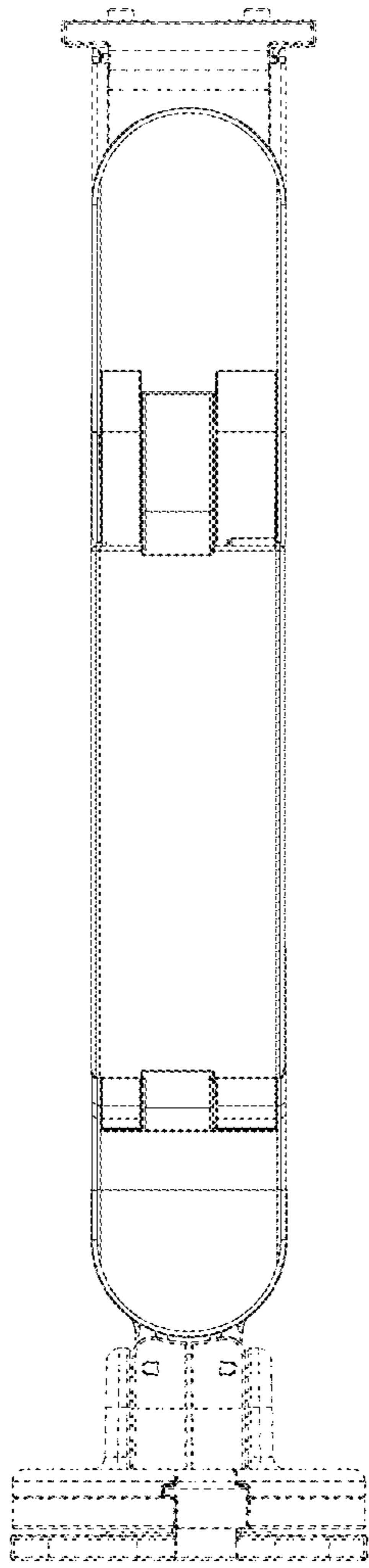


Fig. 3

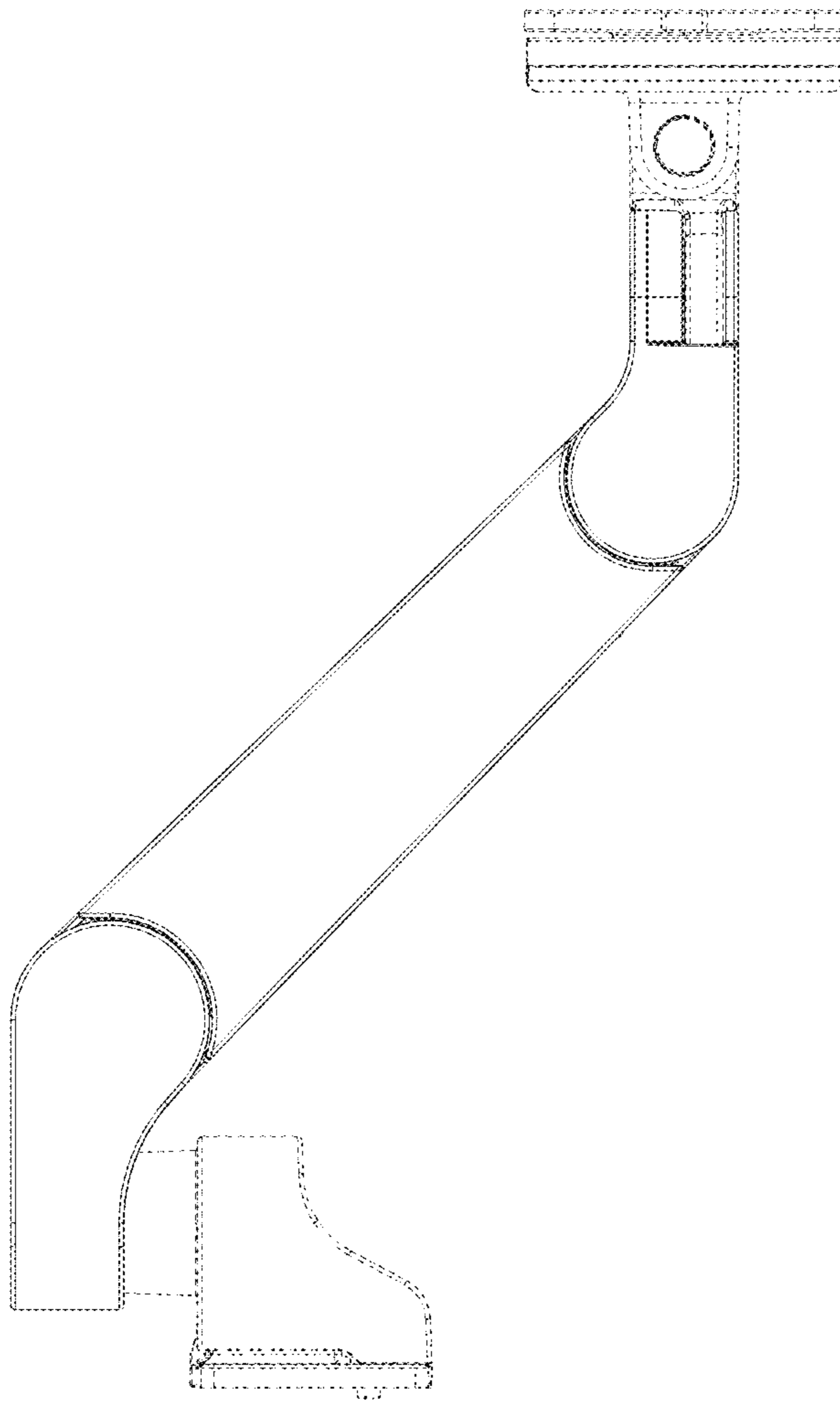


Fig. 4

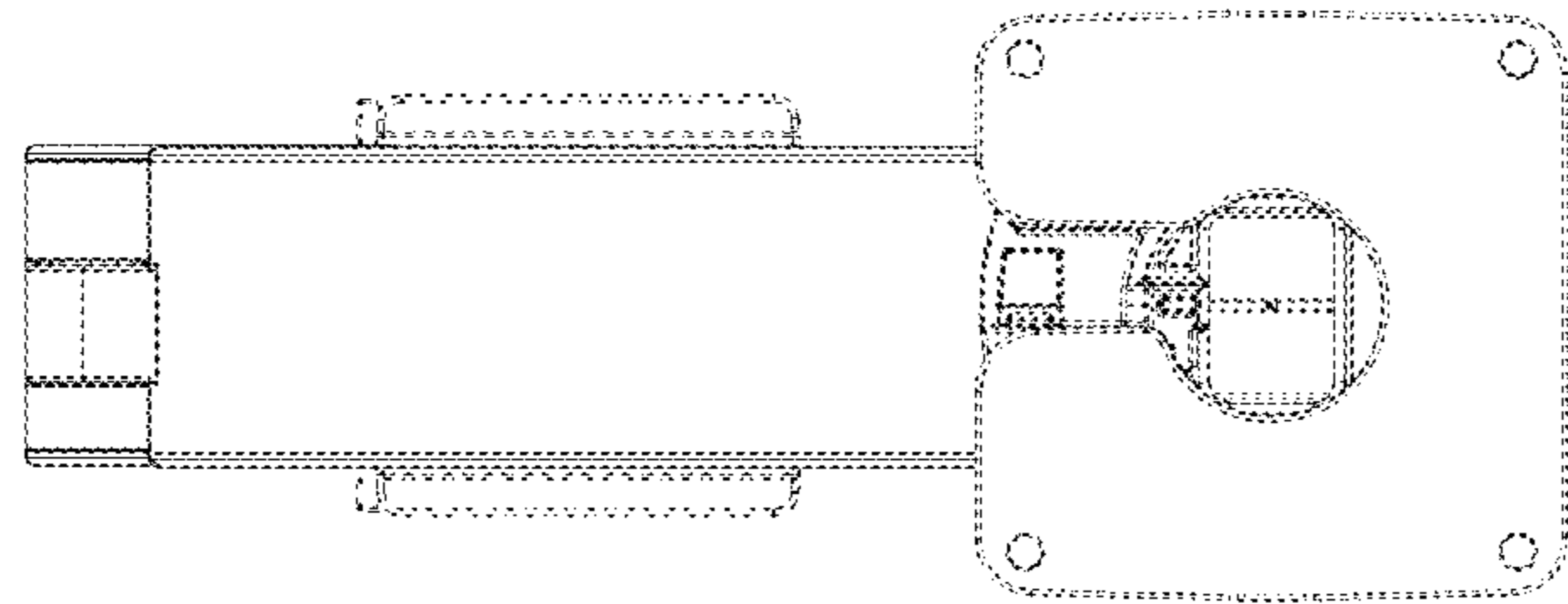


Fig. 5

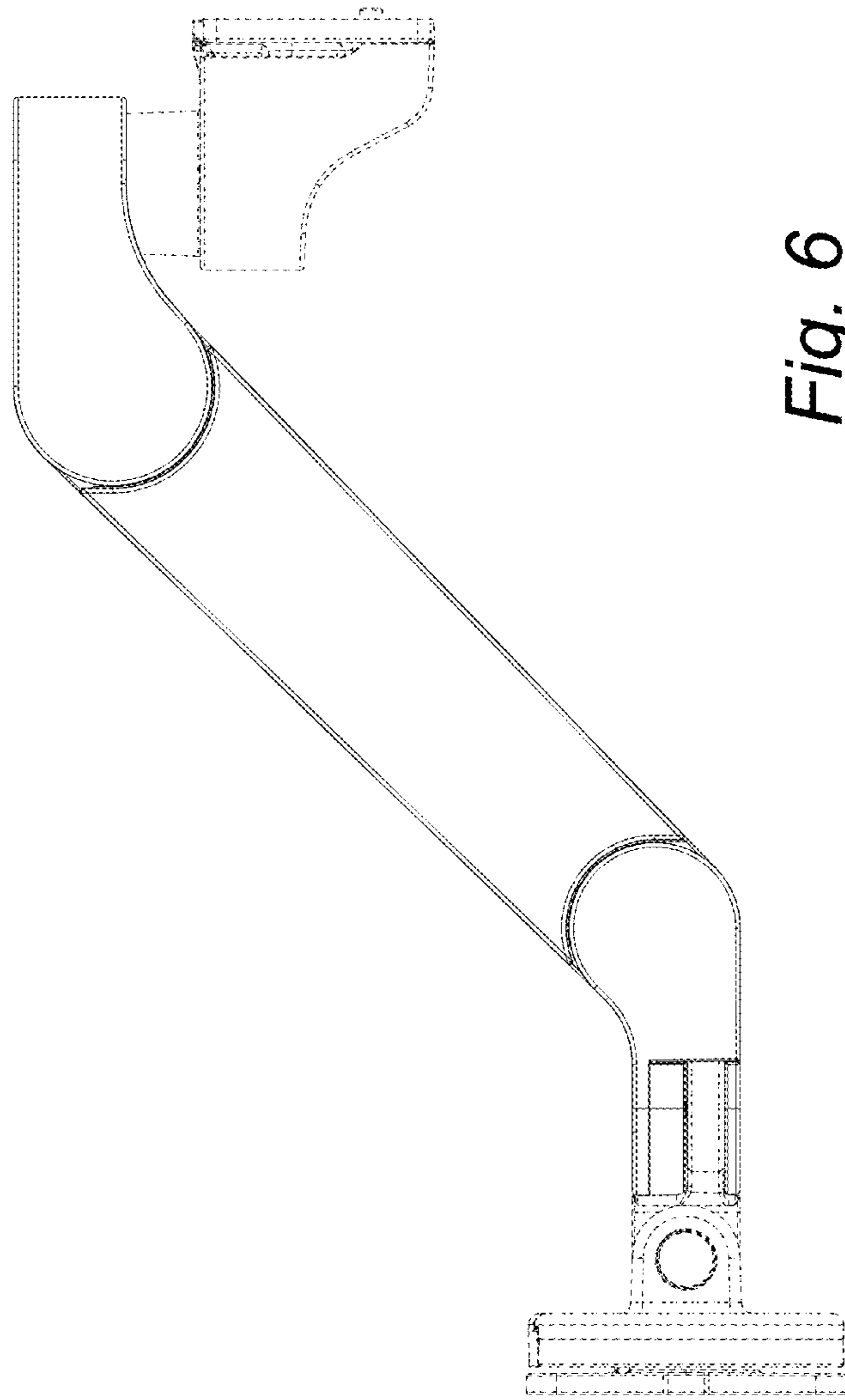


Fig. 6

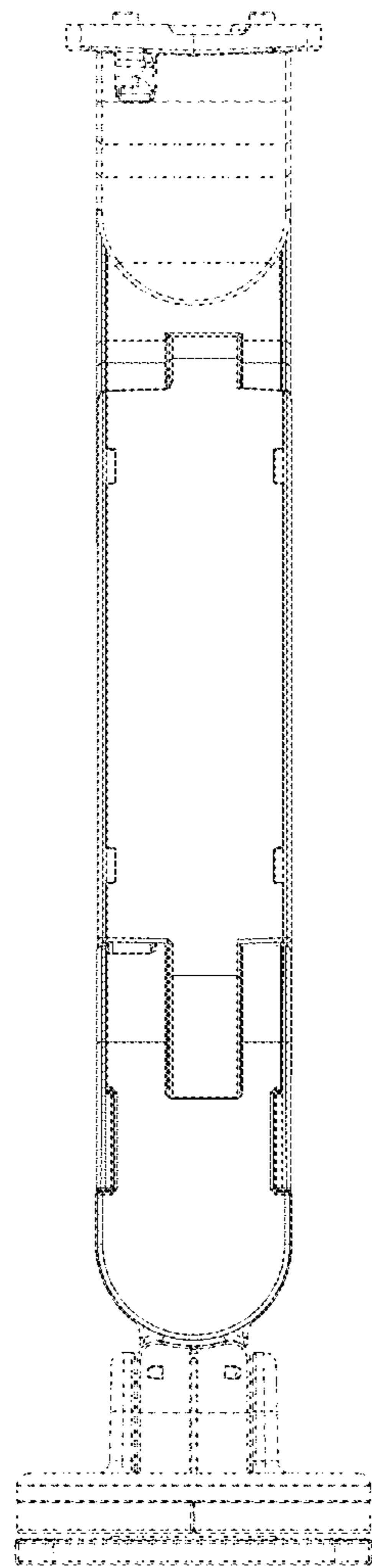


Fig. 7

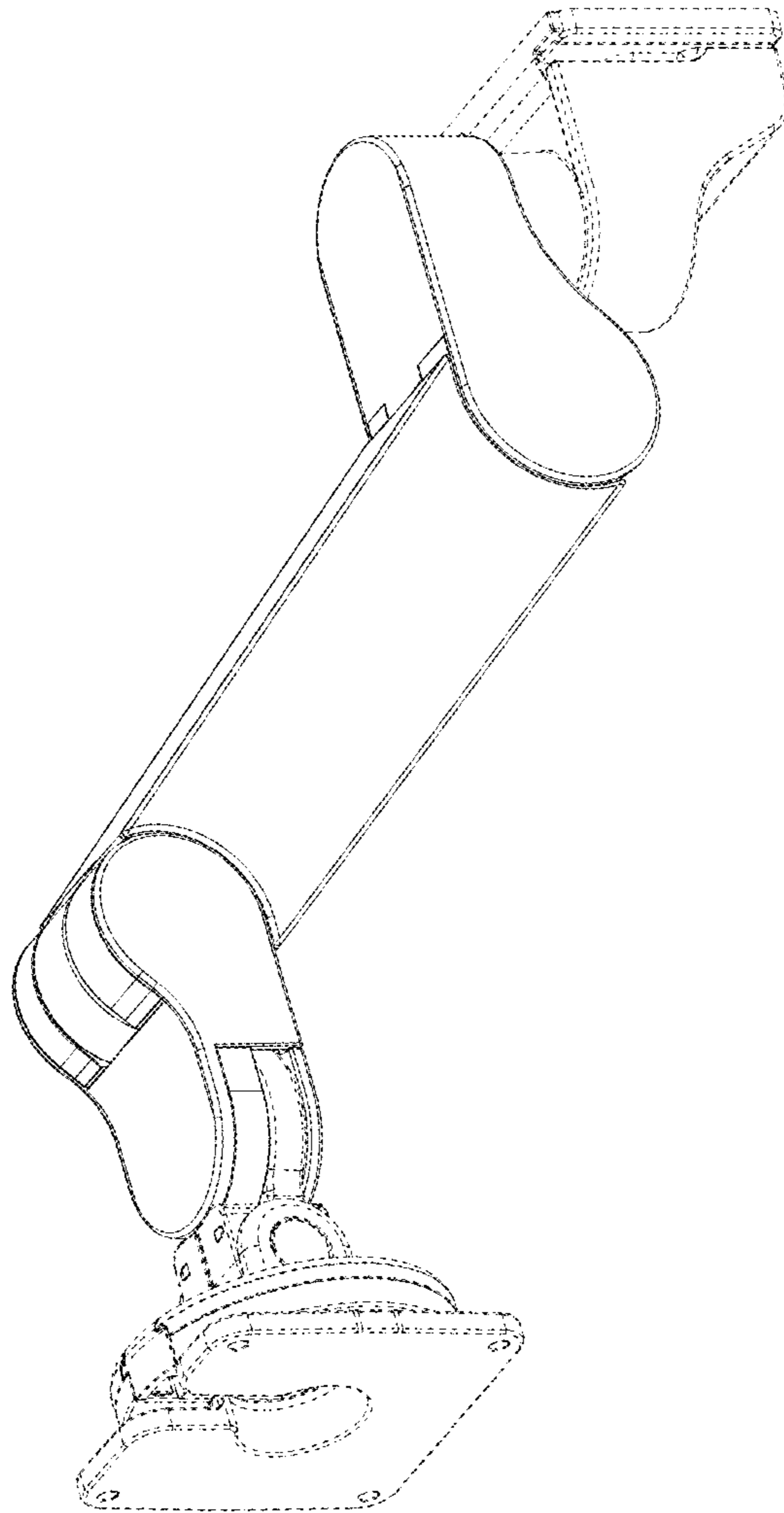


Fig. 8

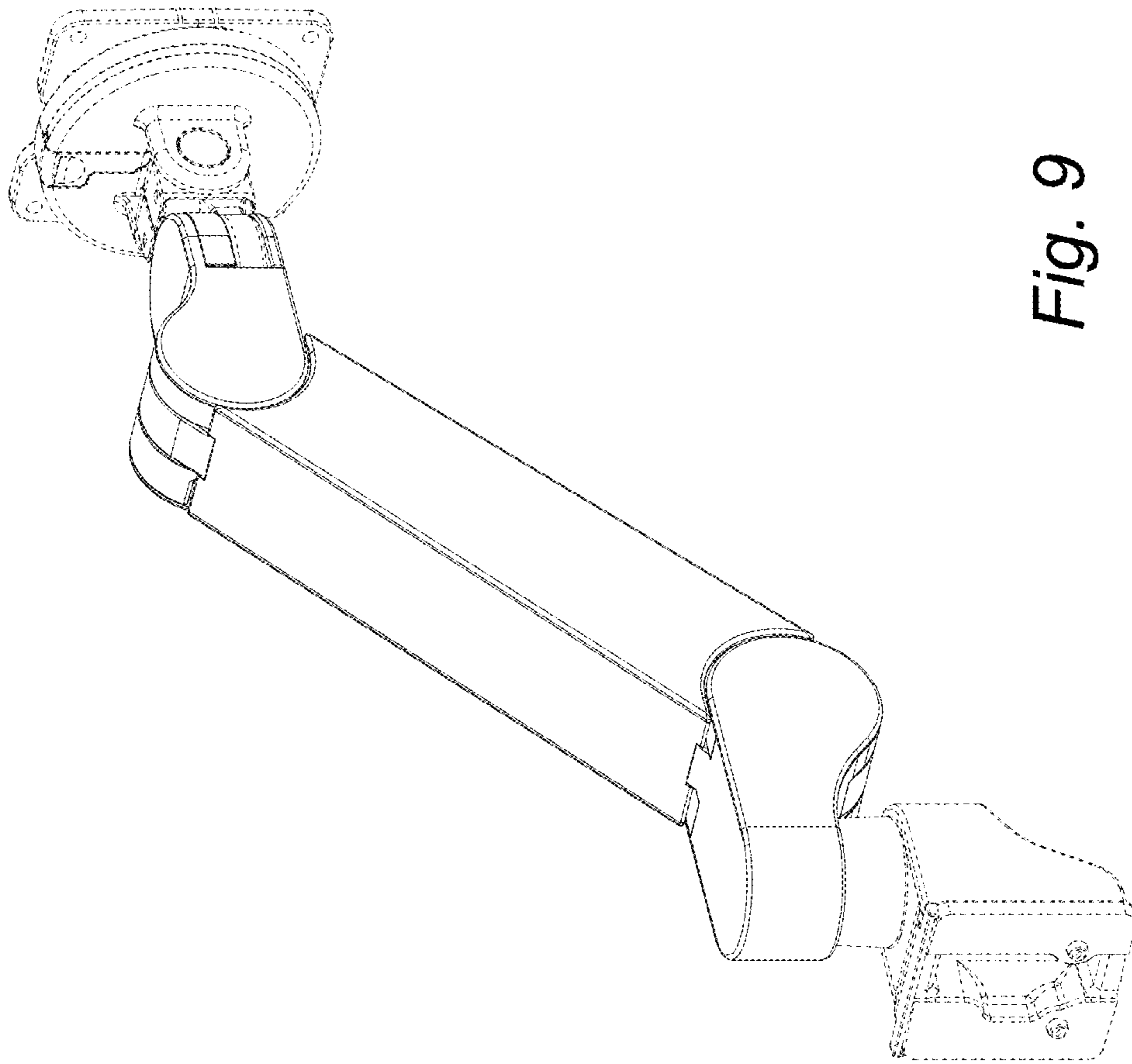


Fig. 9

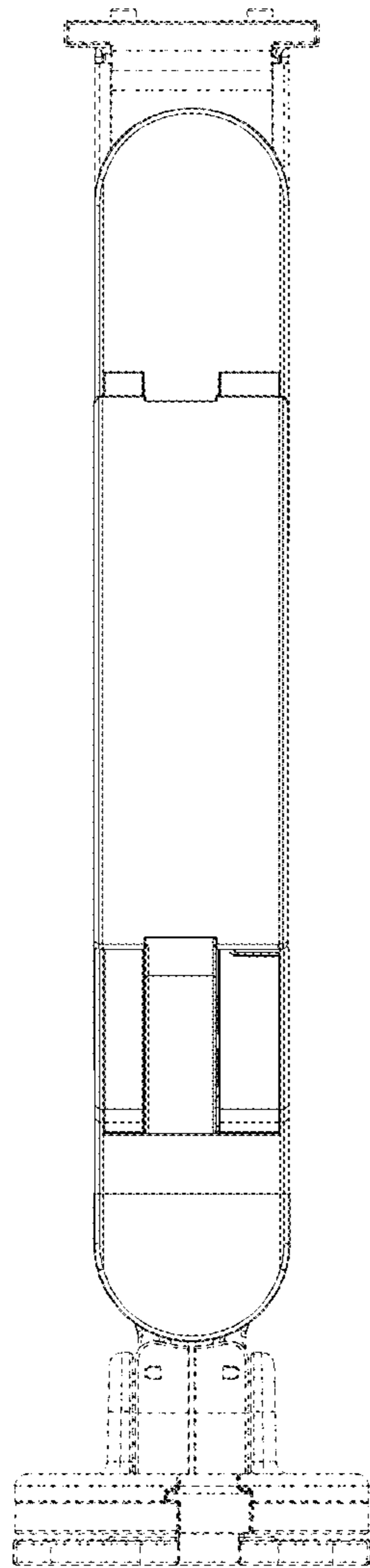


Fig. 10

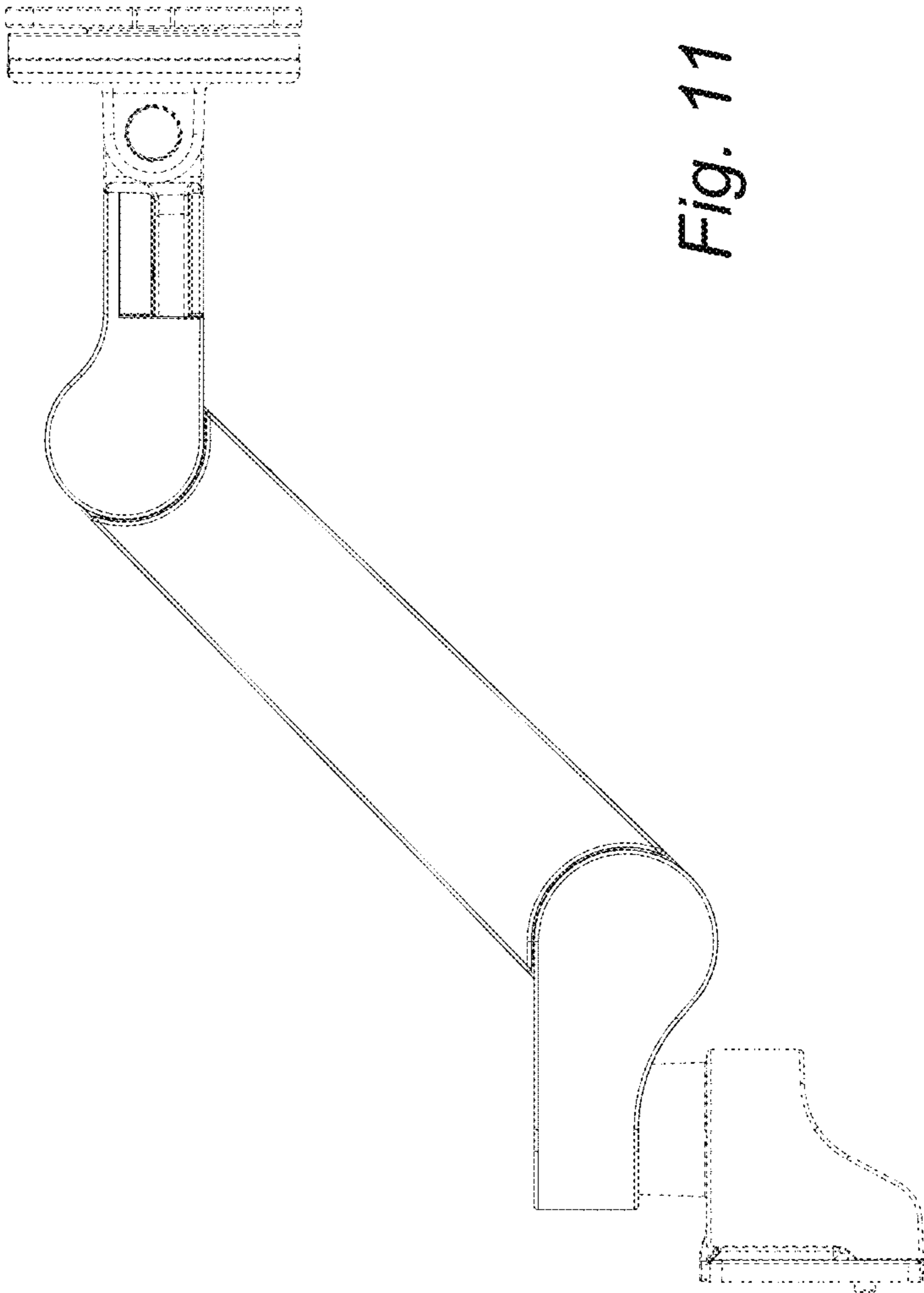


Fig. 11

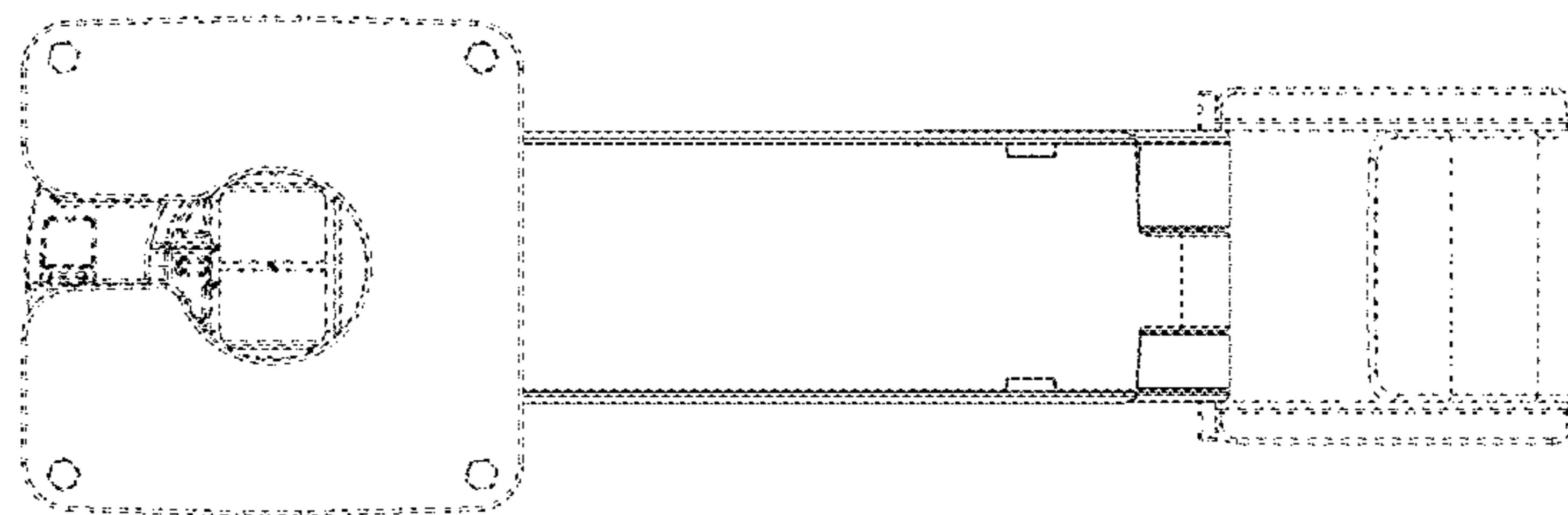


Fig. 12

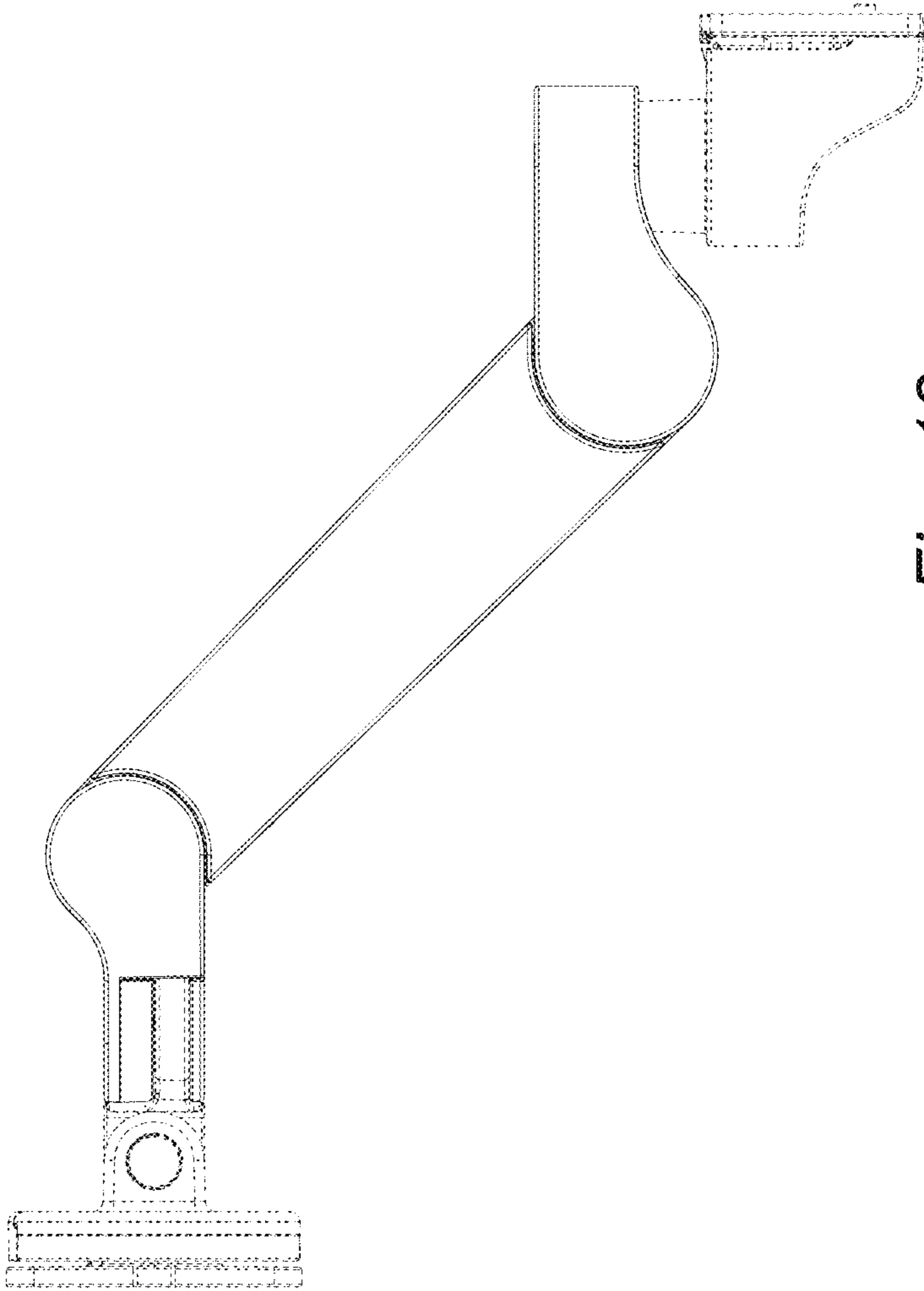


Fig. 13

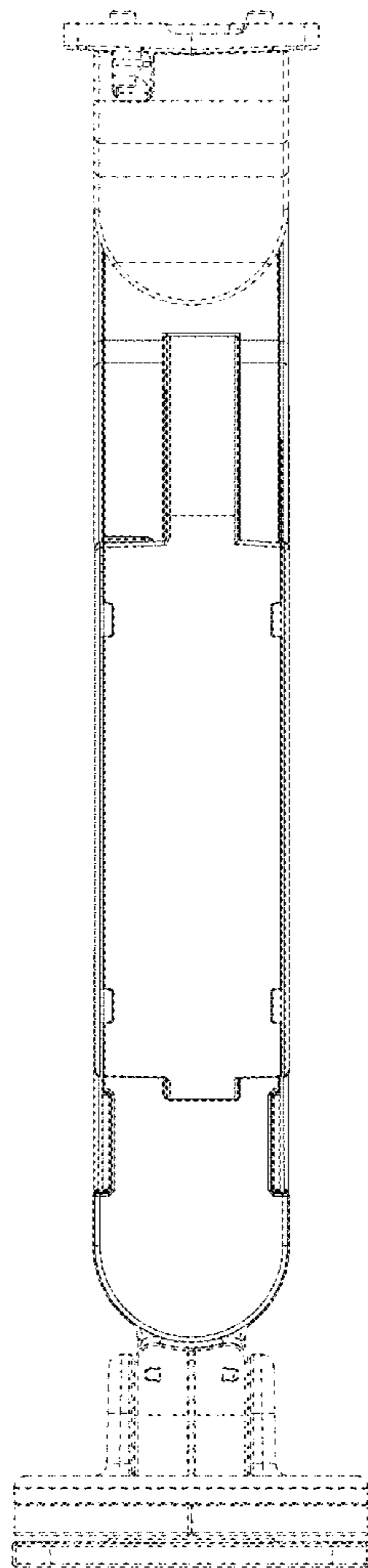


Fig. 14

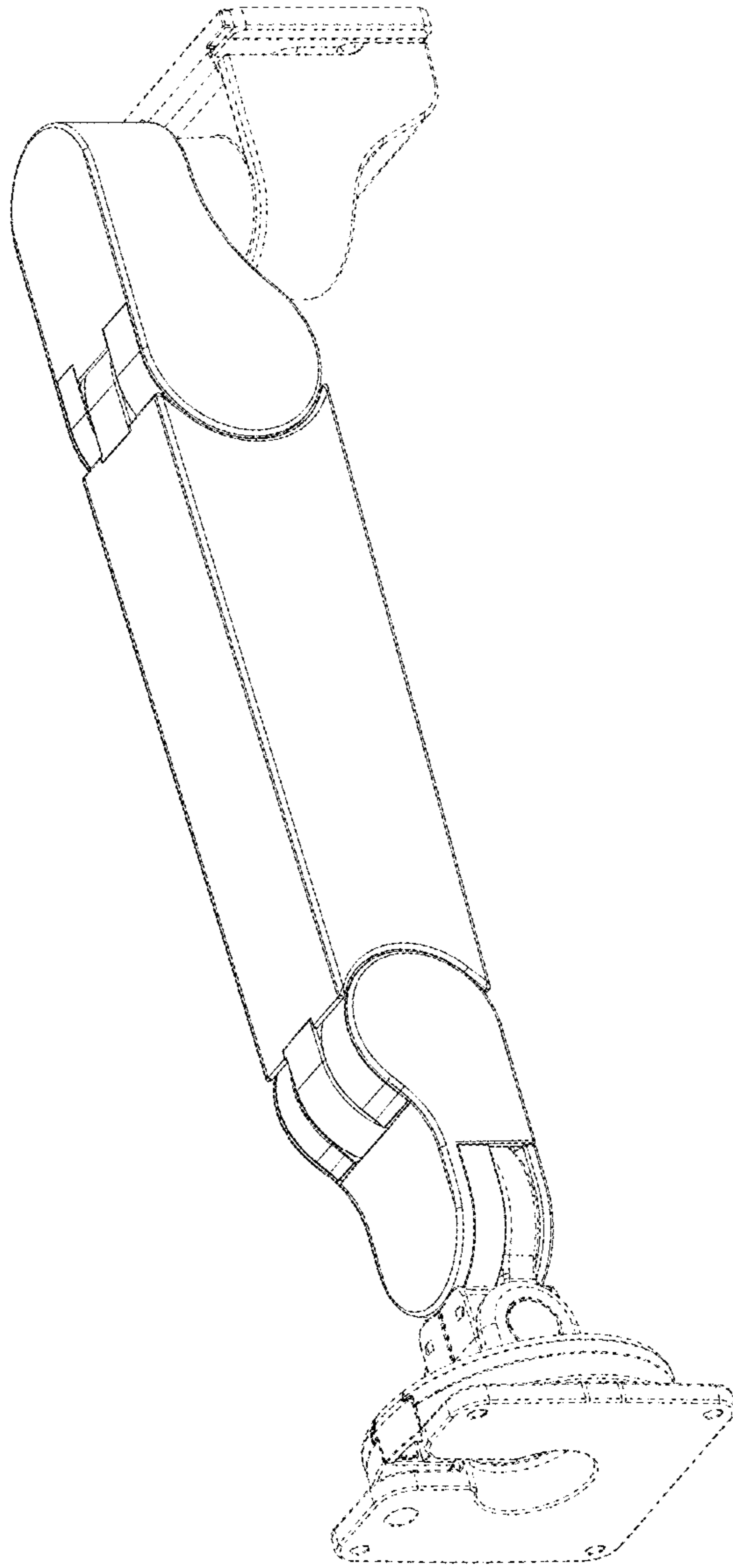


Fig. 15

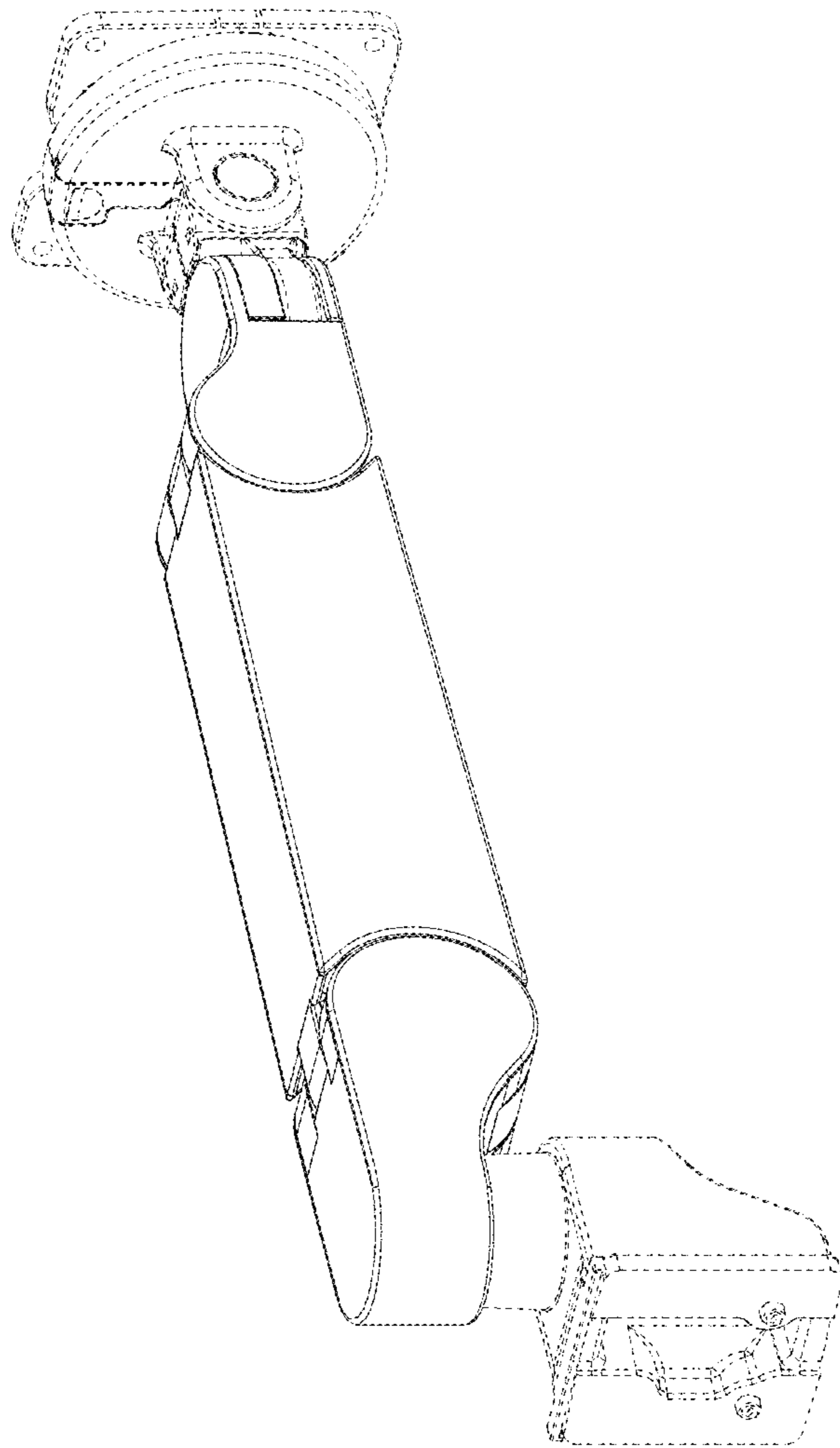


Fig. 16

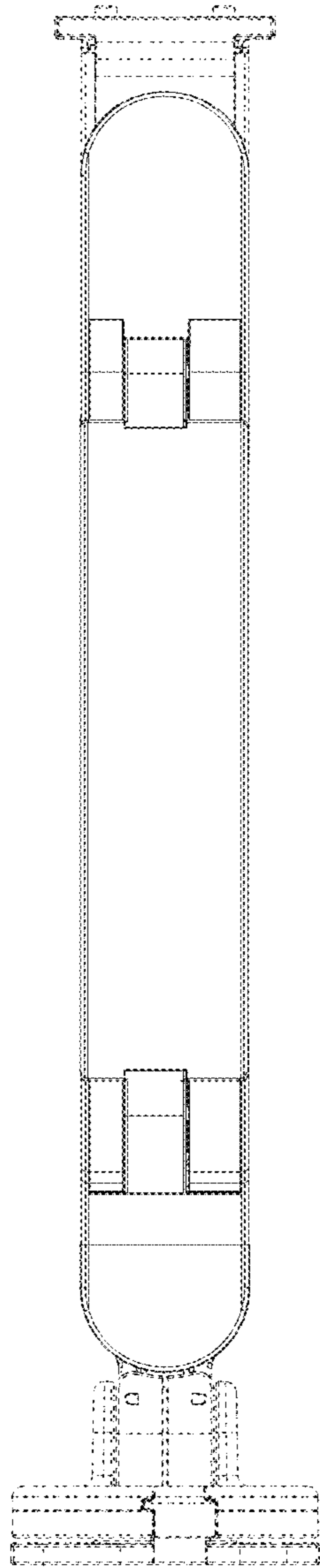


Fig. 17

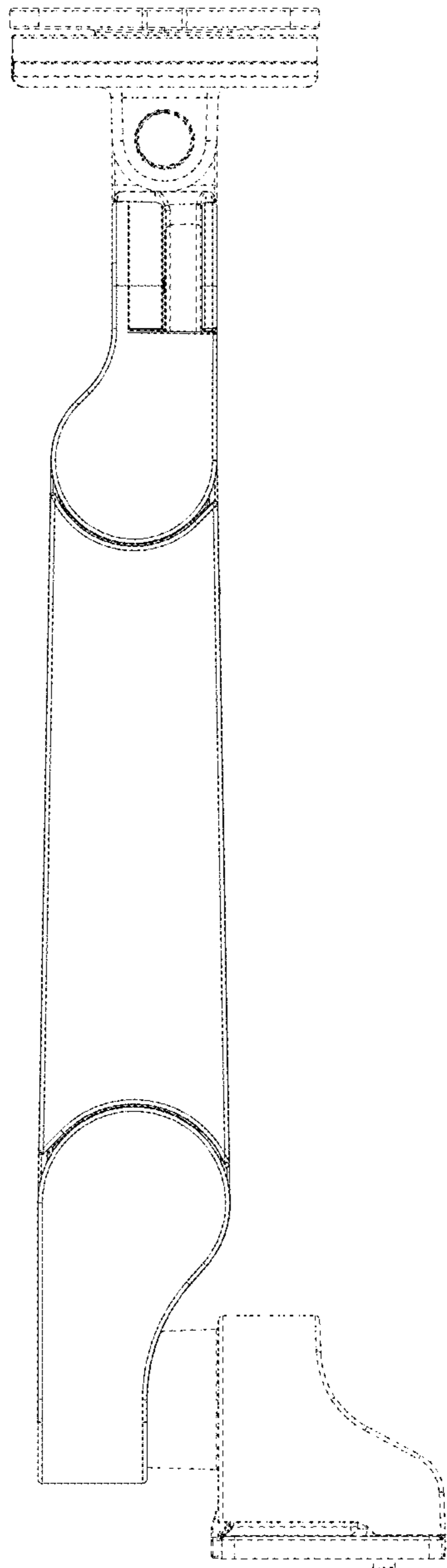


Fig. 18

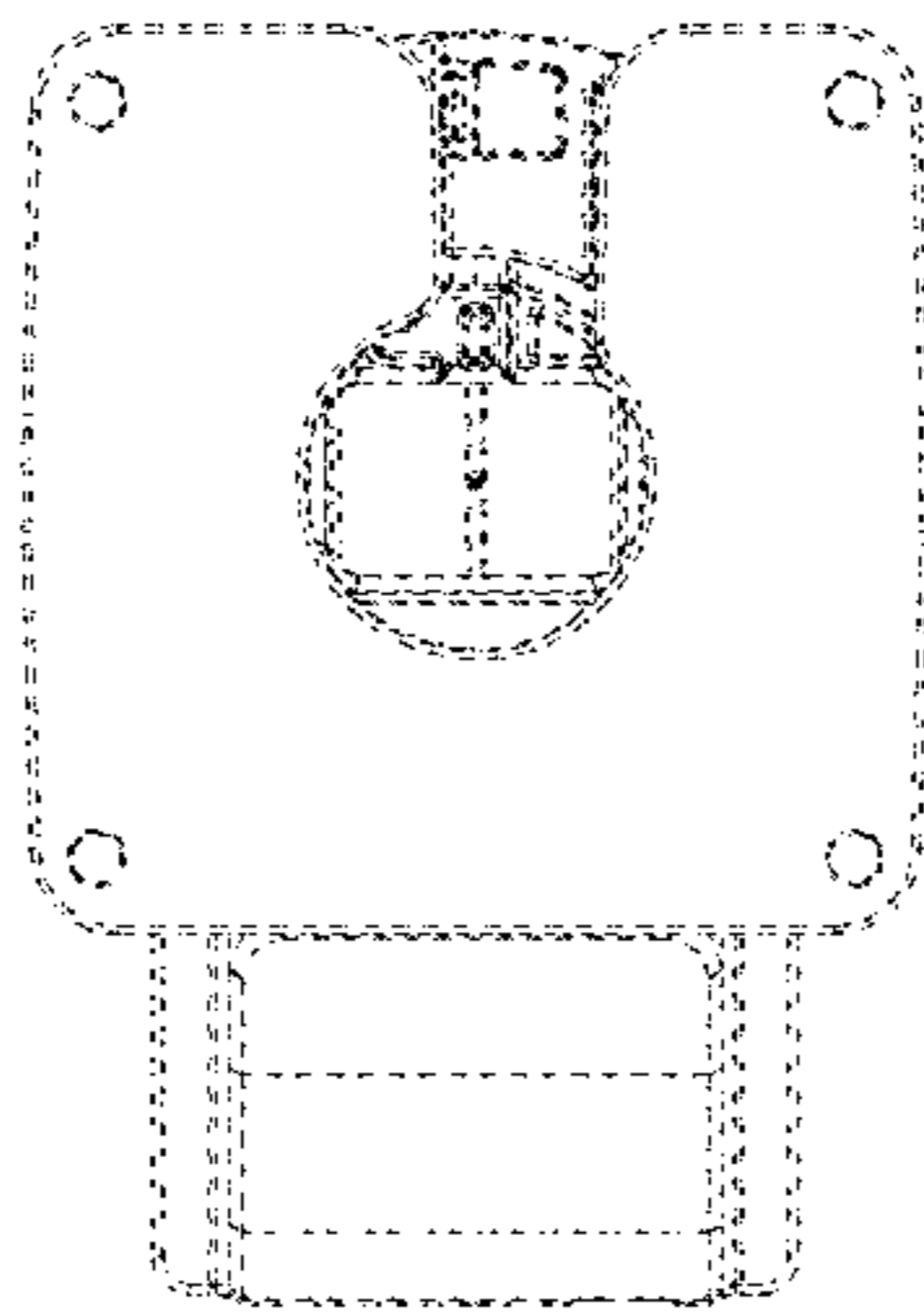


Fig. 19

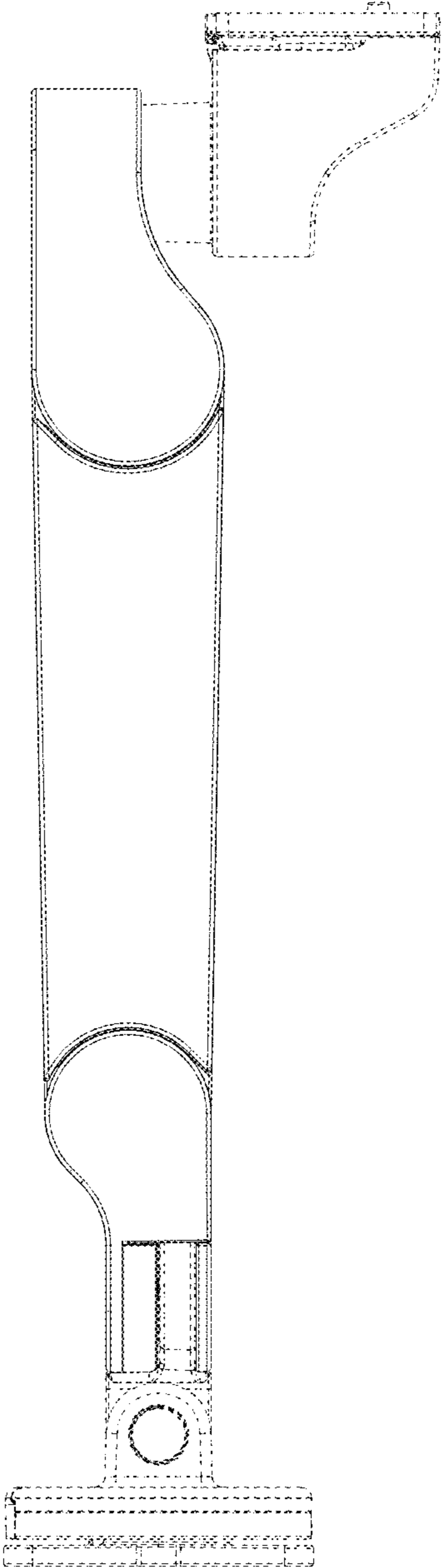


Fig. 20

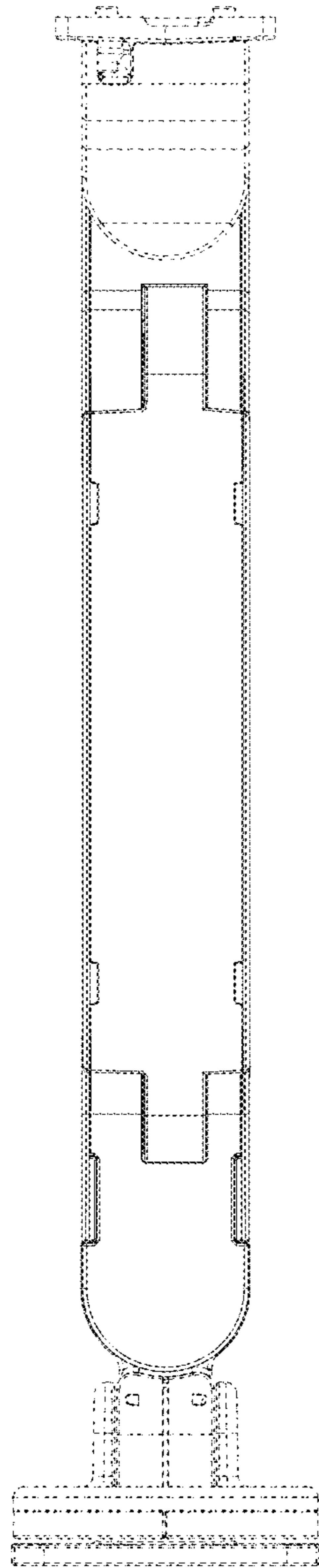


Fig. 21

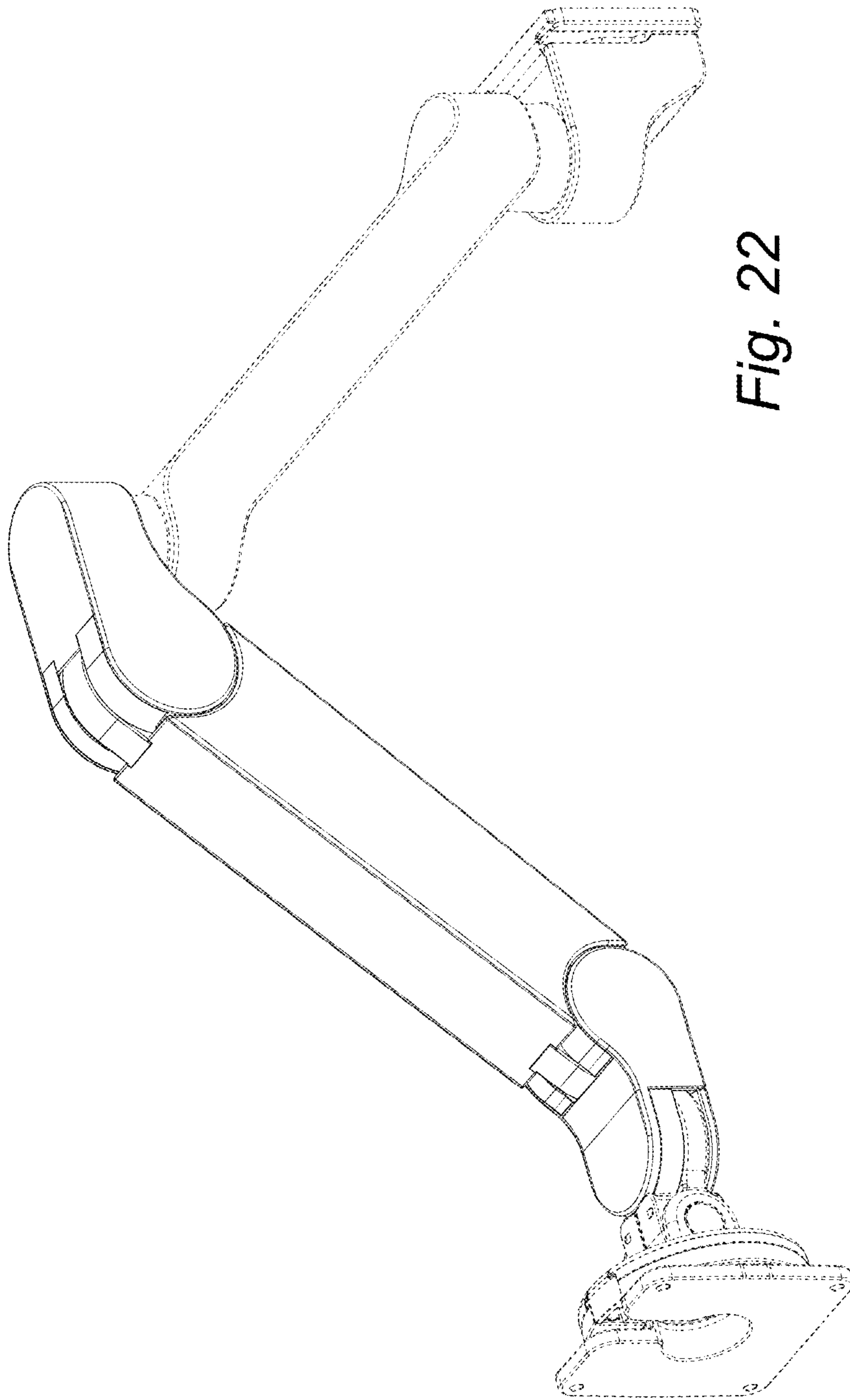


Fig. 22

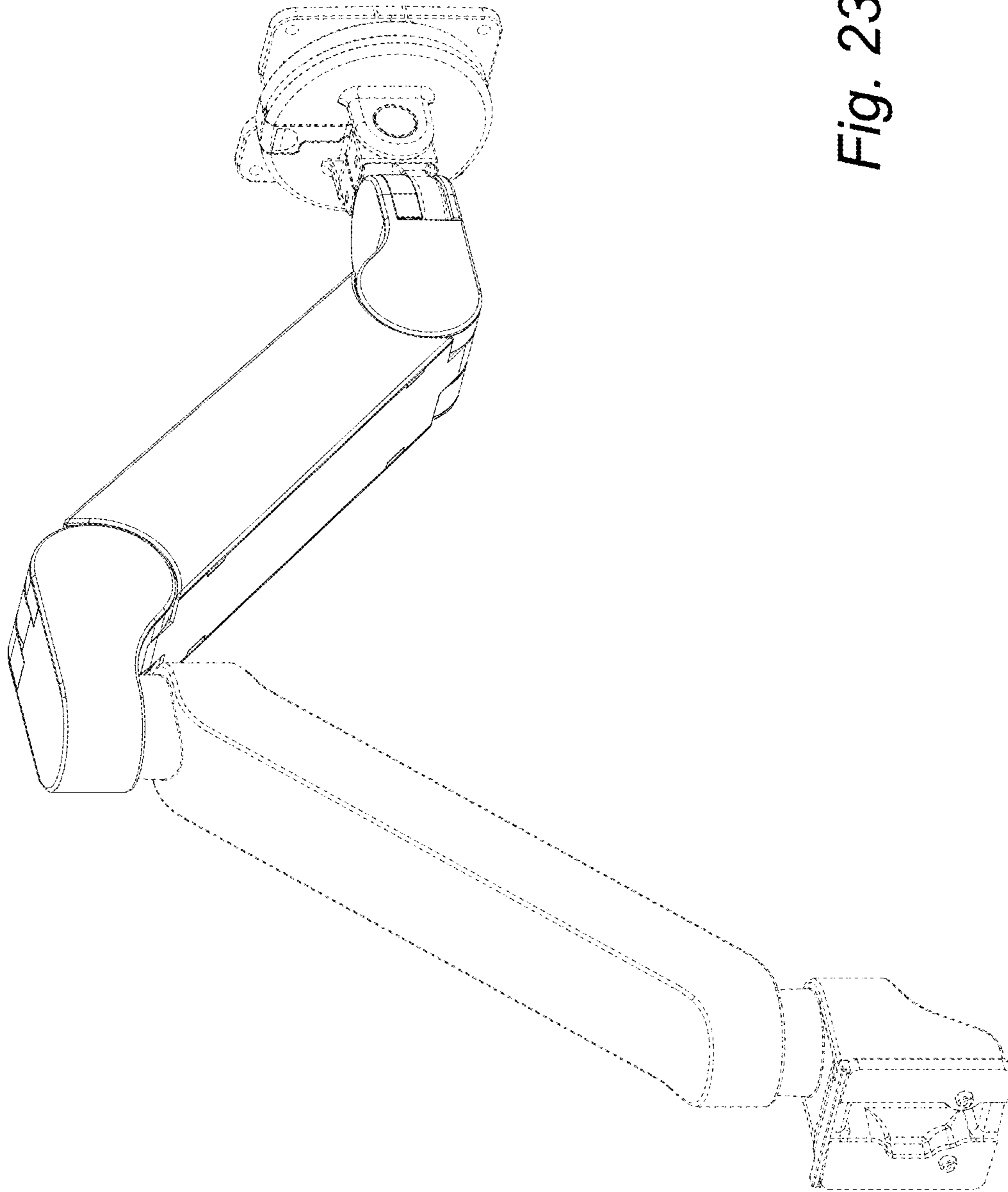


Fig. 23

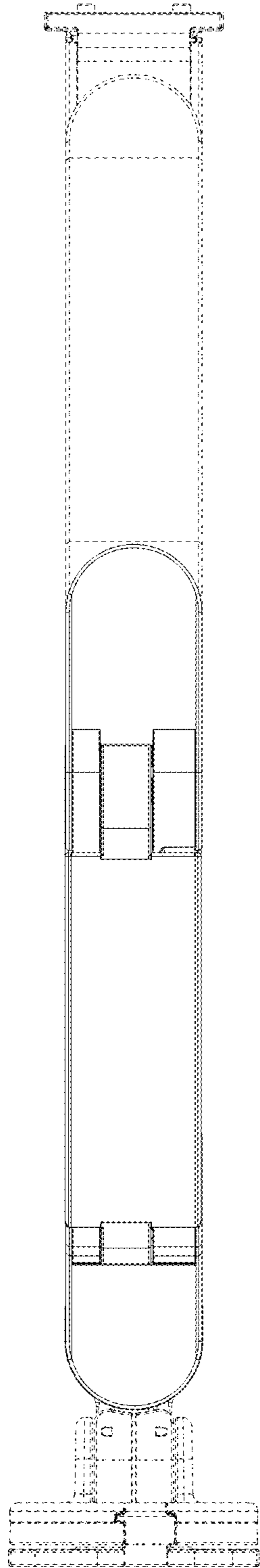


Fig. 24

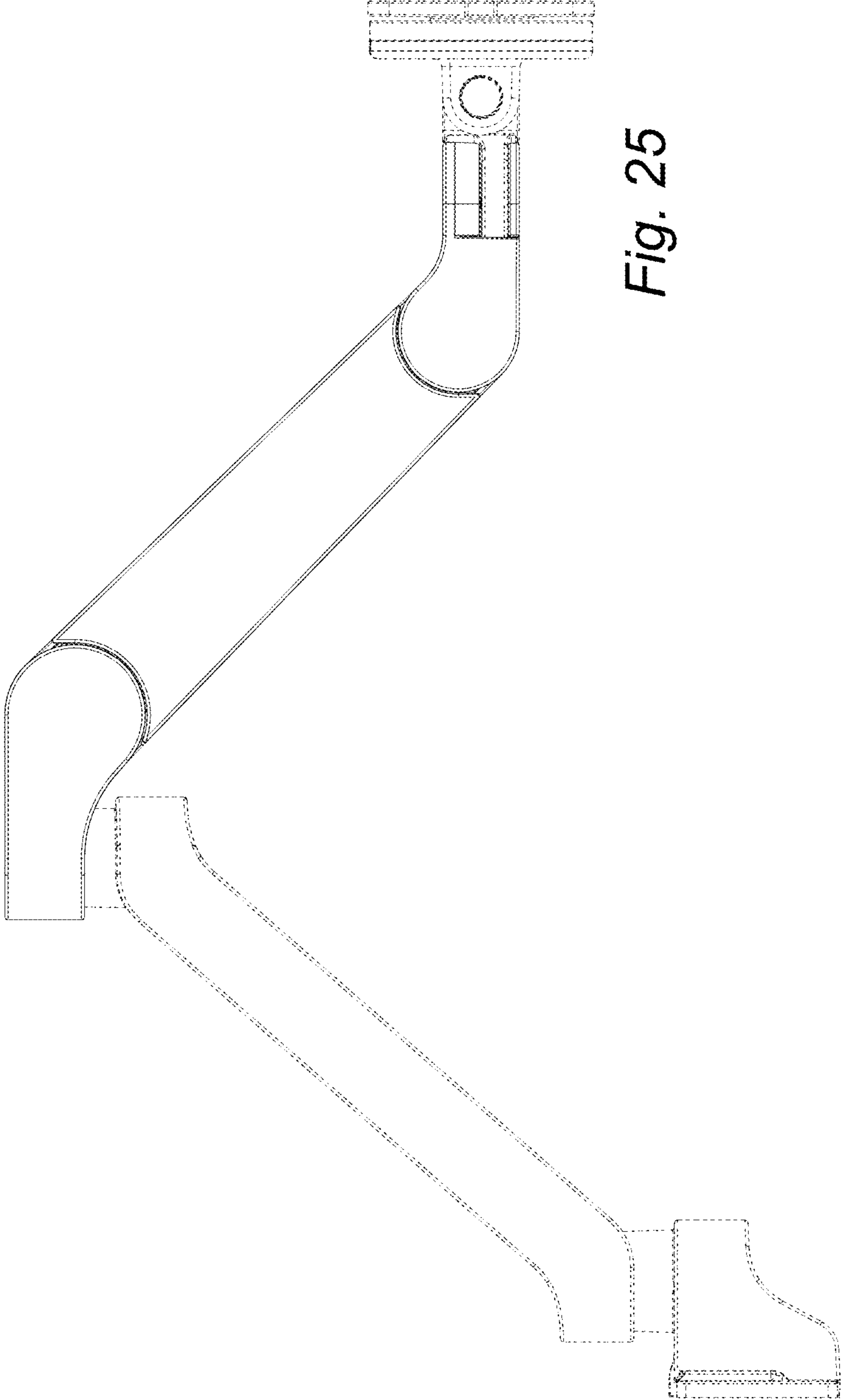


Fig. 25

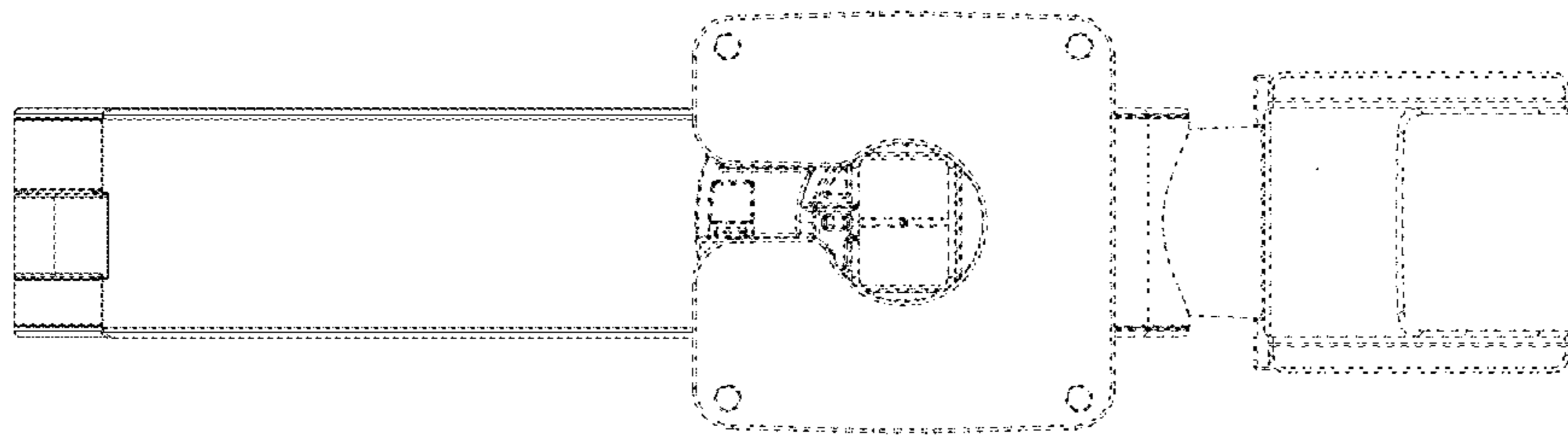


Fig. 26

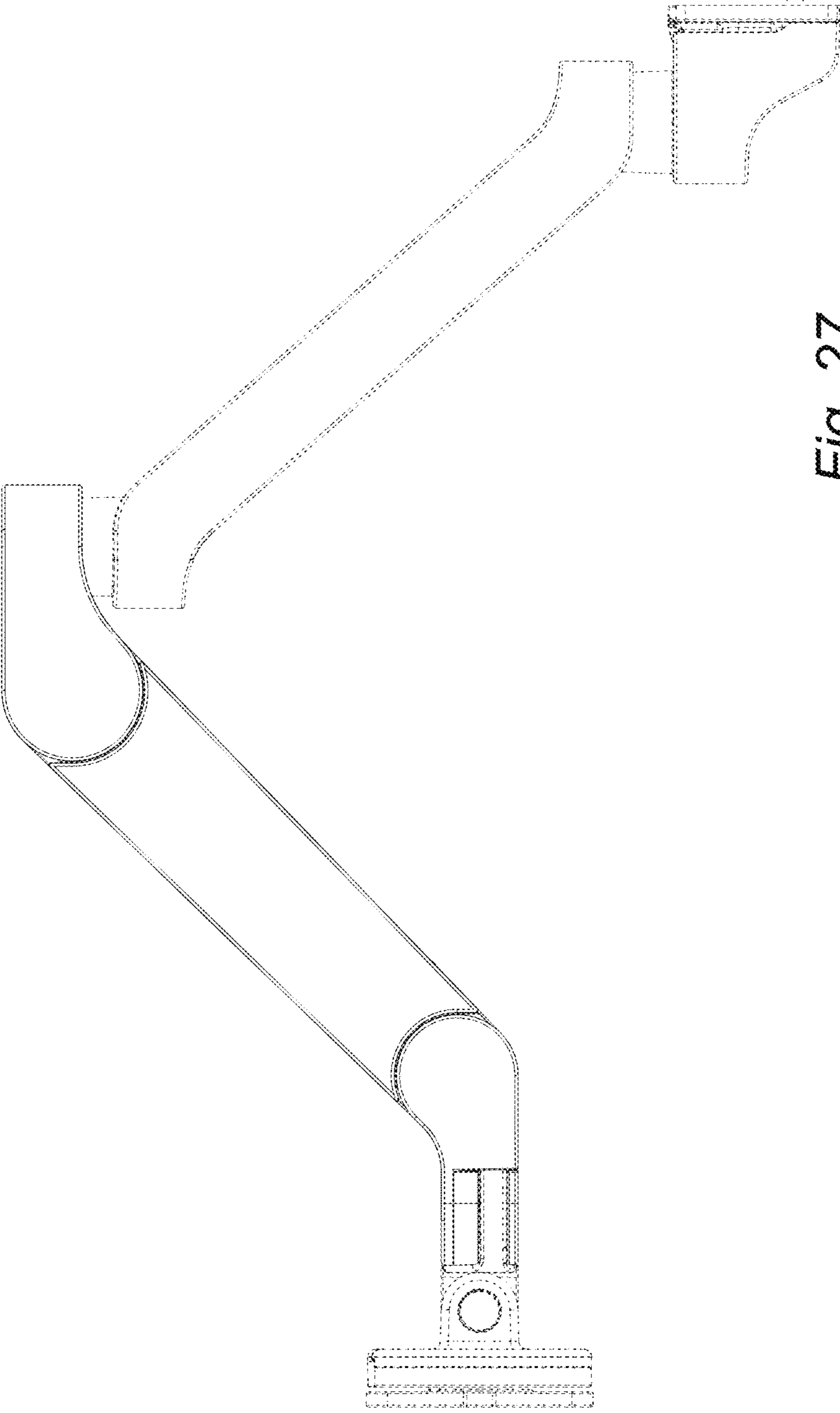


Fig. 27

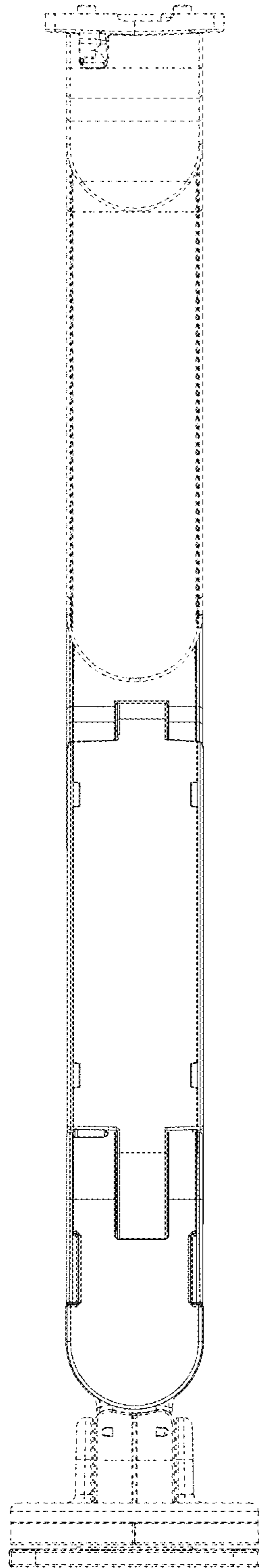


Fig. 28

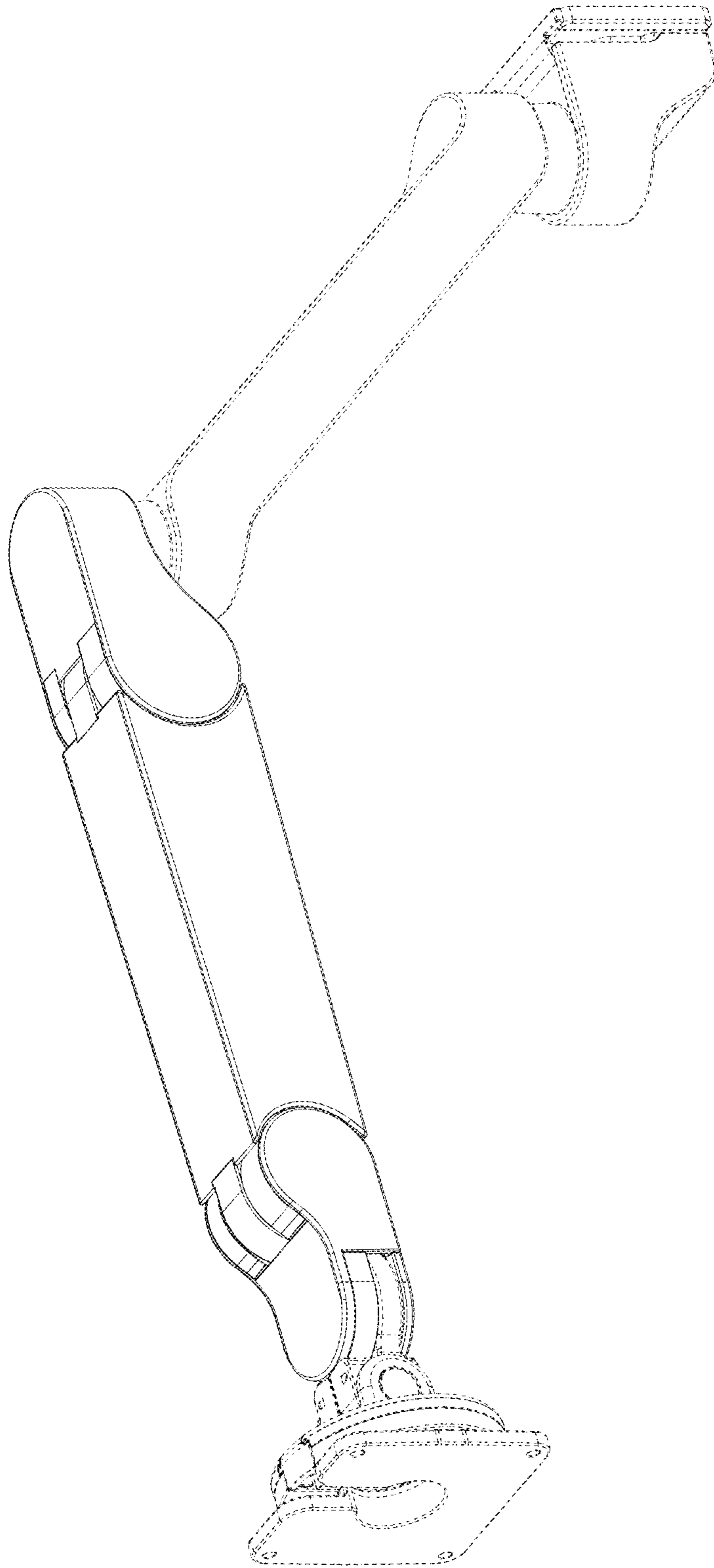


Fig. 29

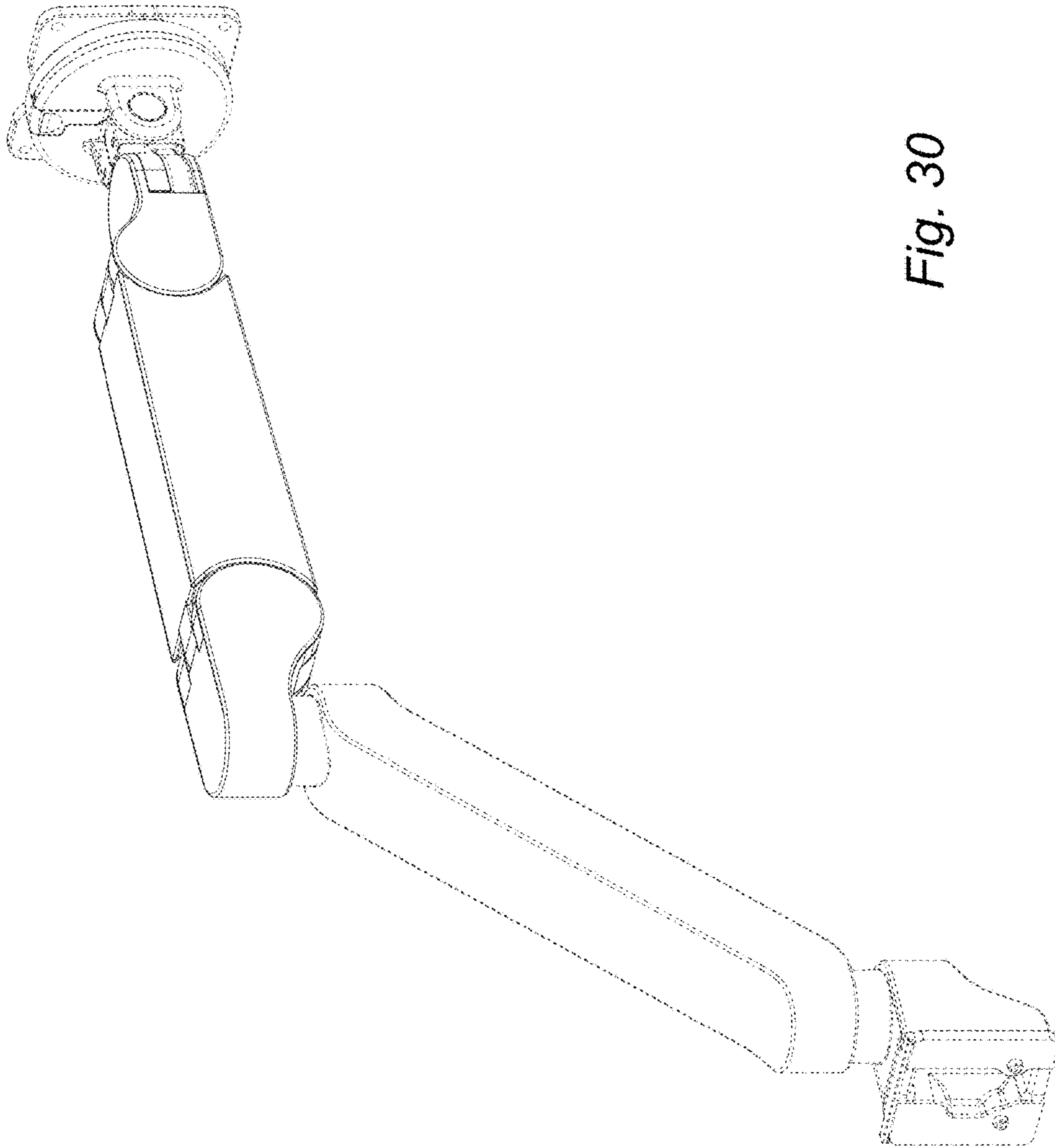


Fig. 30

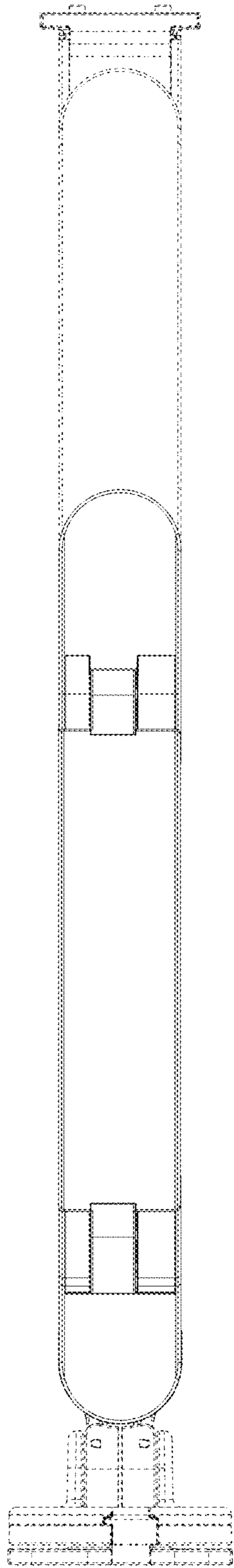


Fig. 31

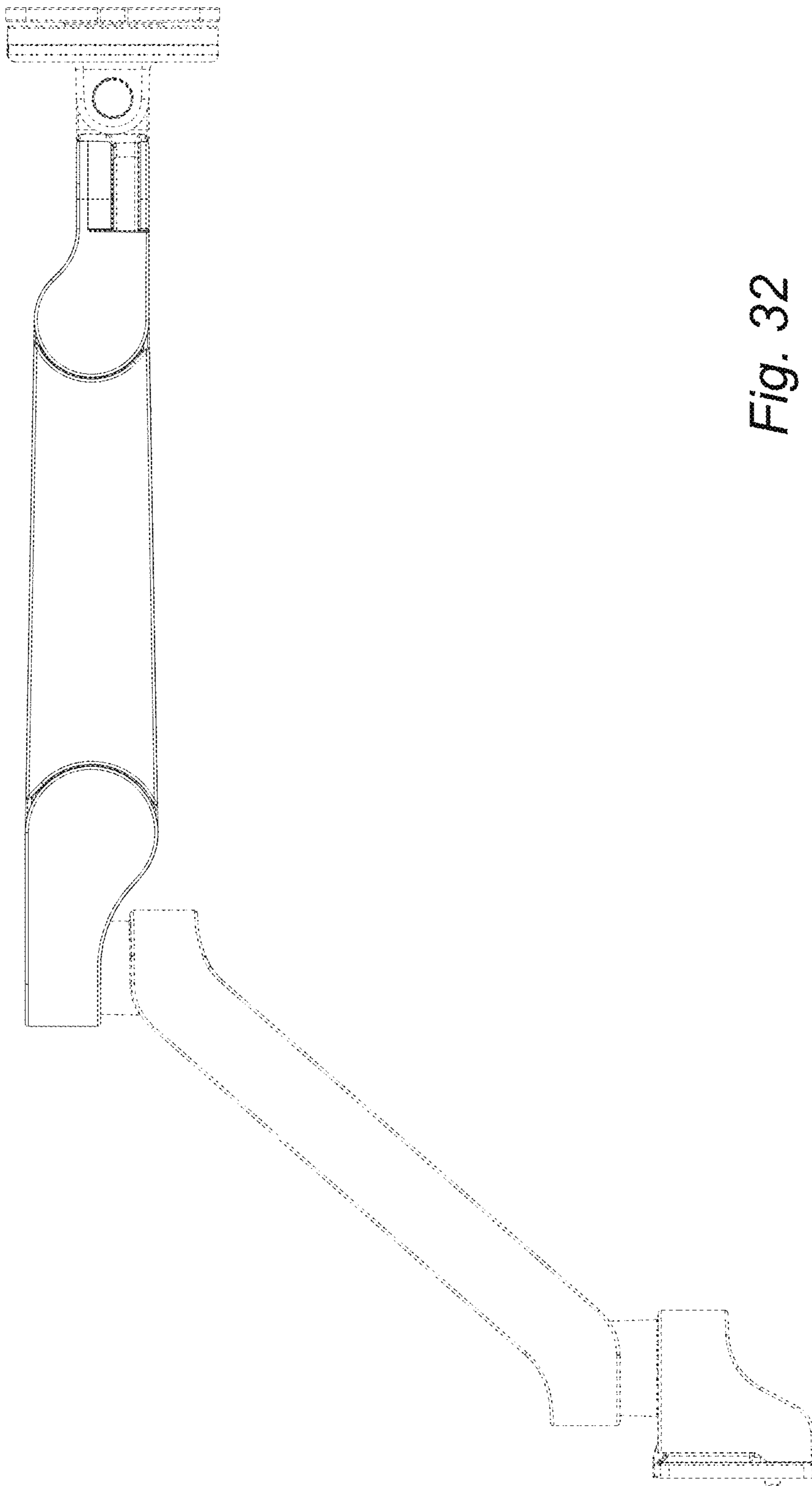


Fig. 32

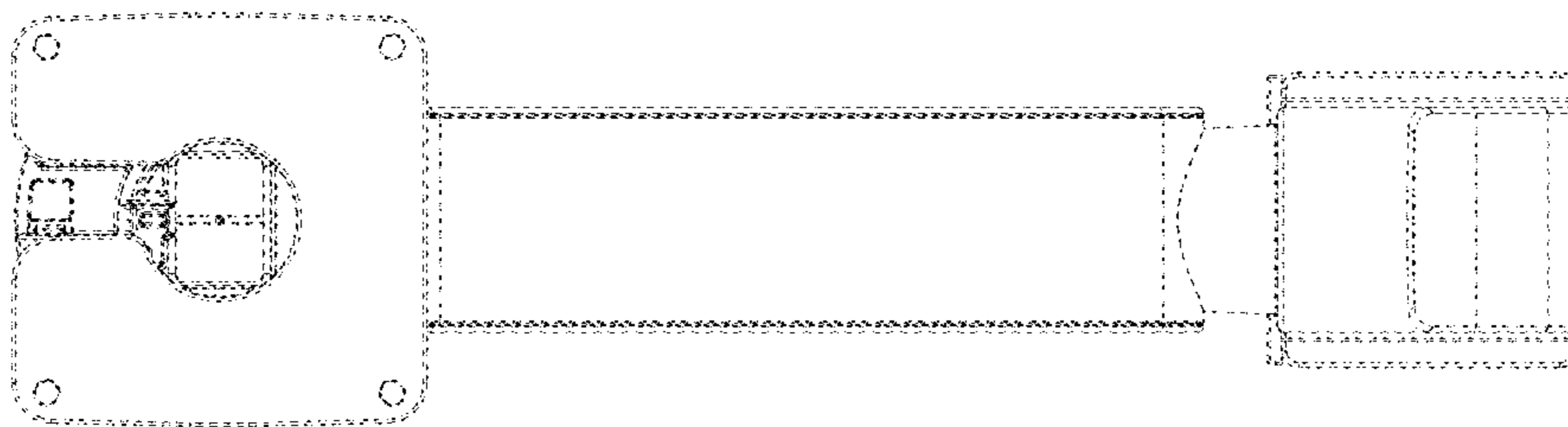


Fig. 33

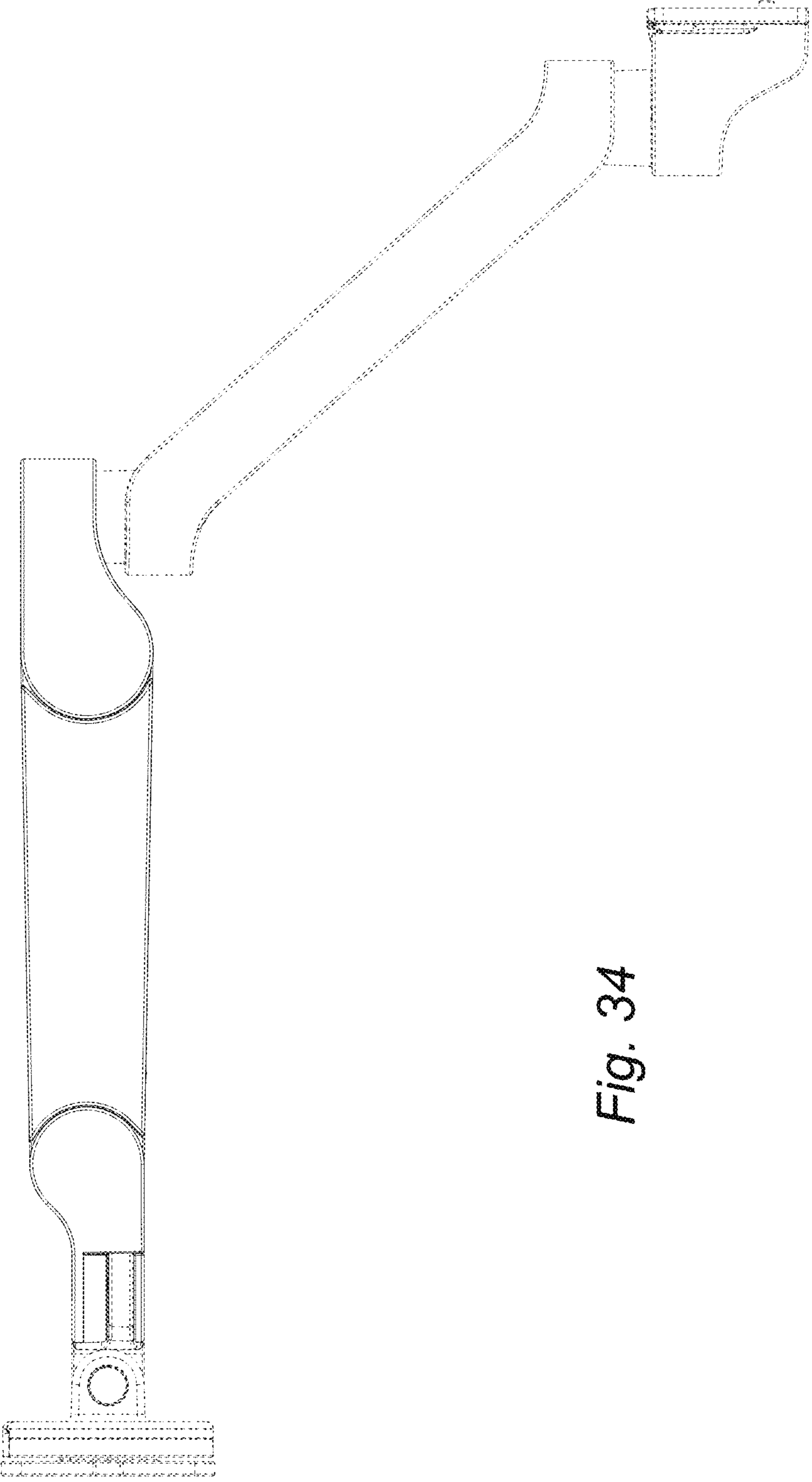


Fig. 34

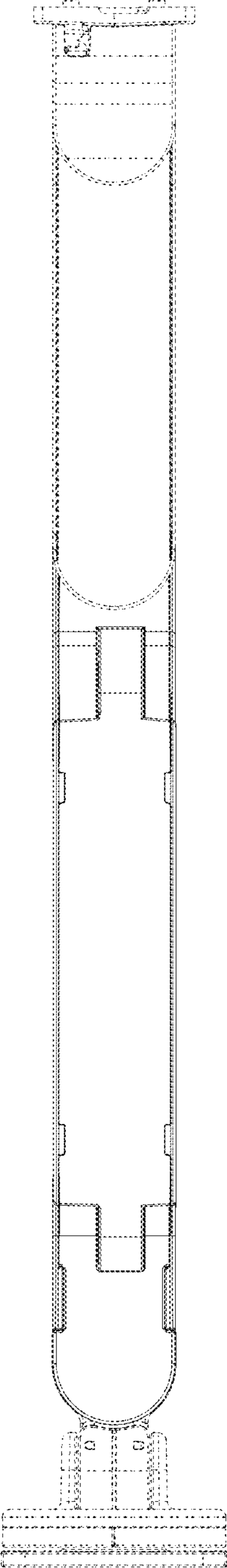


Fig. 35

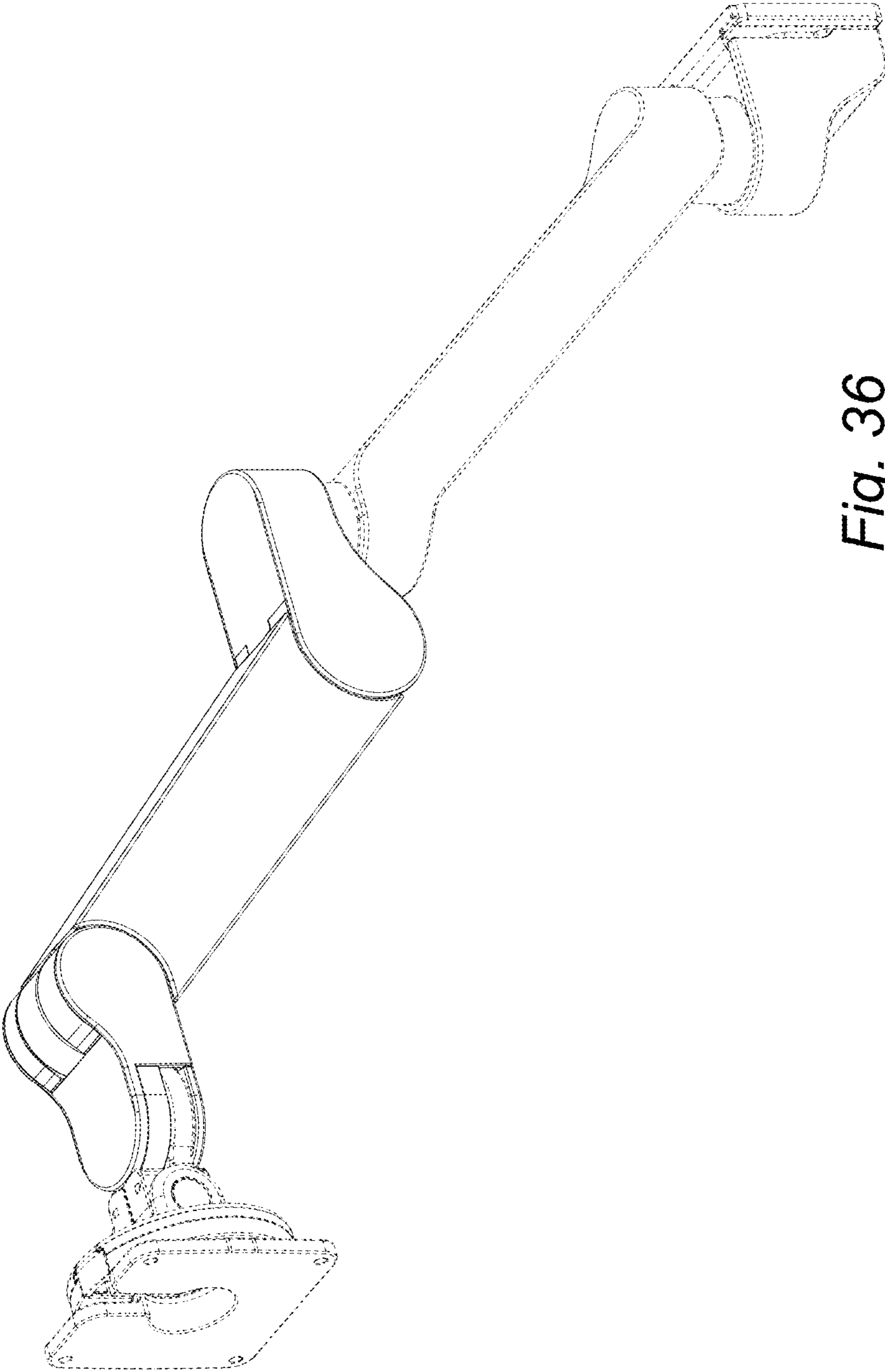


Fig. 36

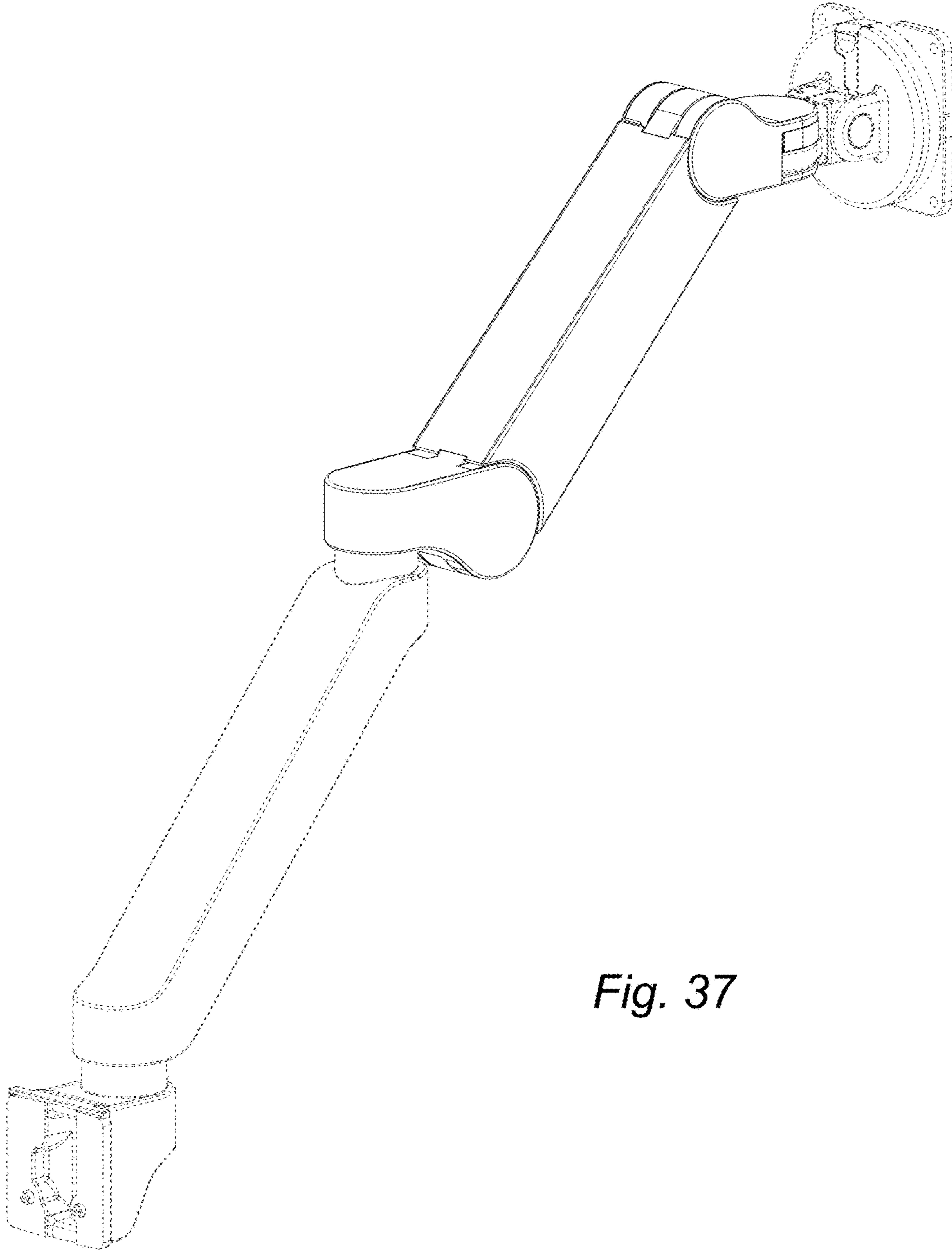


Fig. 37

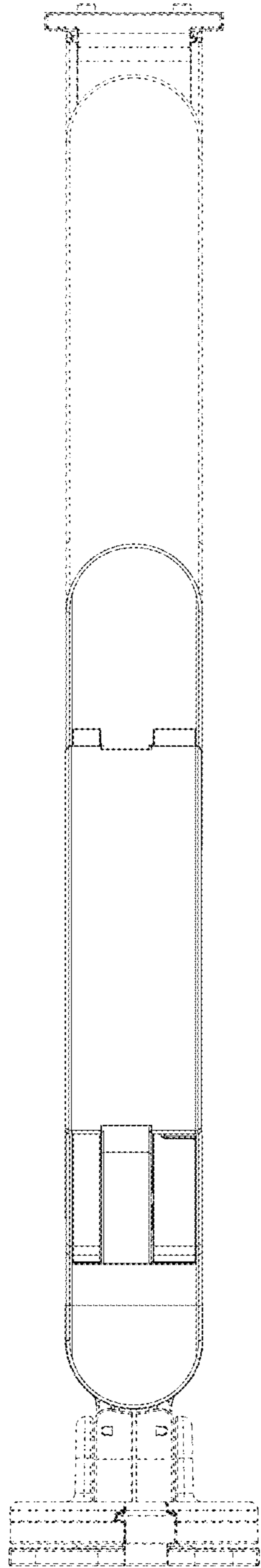


Fig. 38

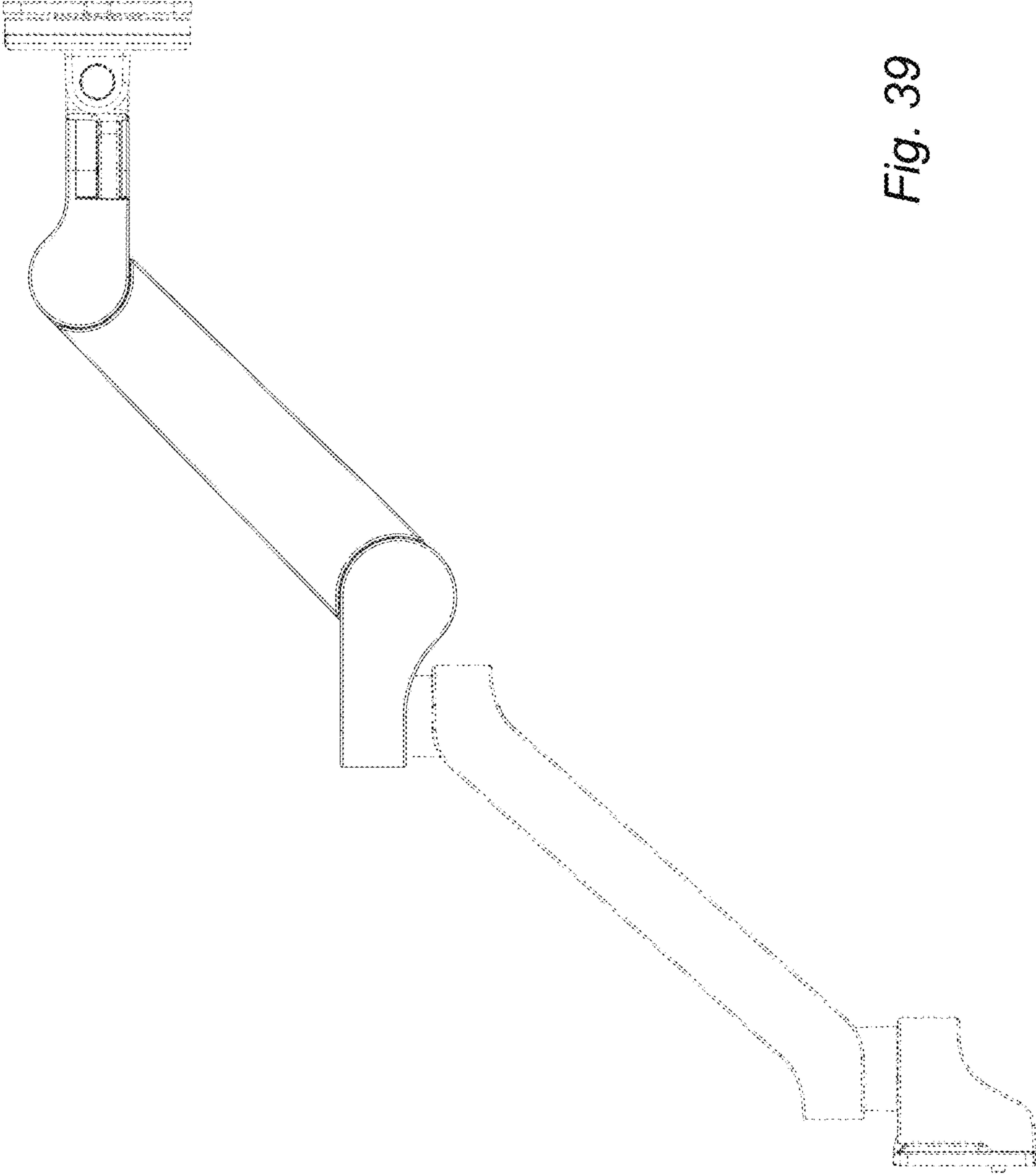


Fig. 39

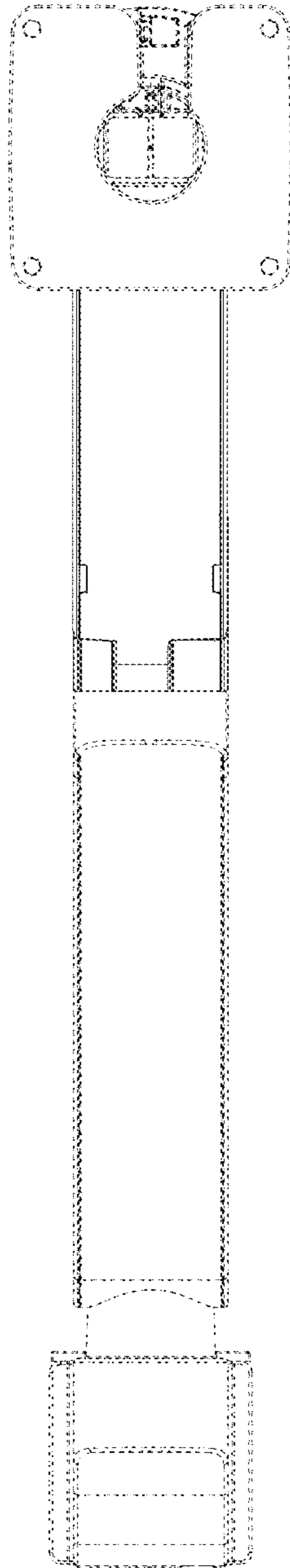


Fig. 40

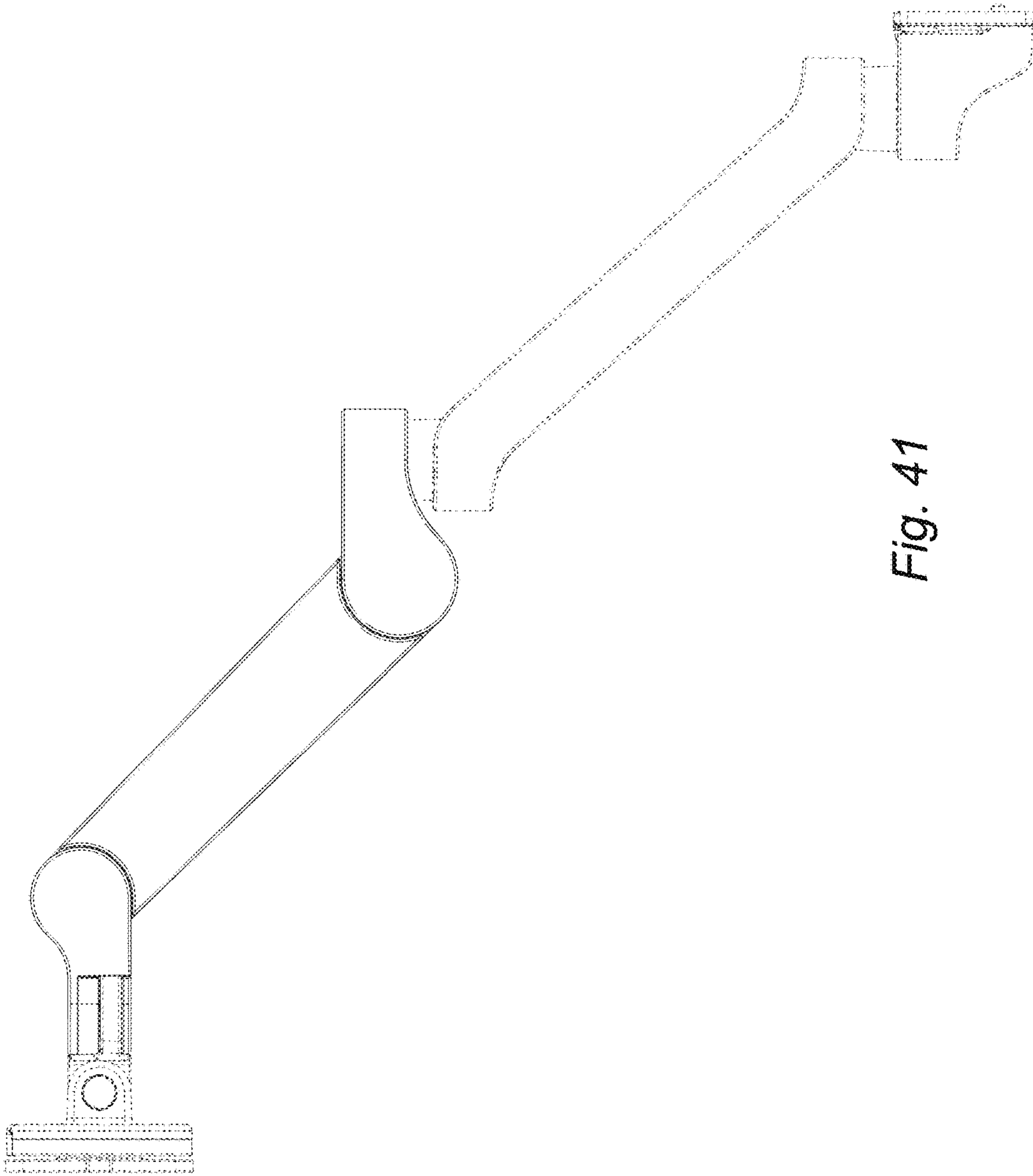


Fig. 41

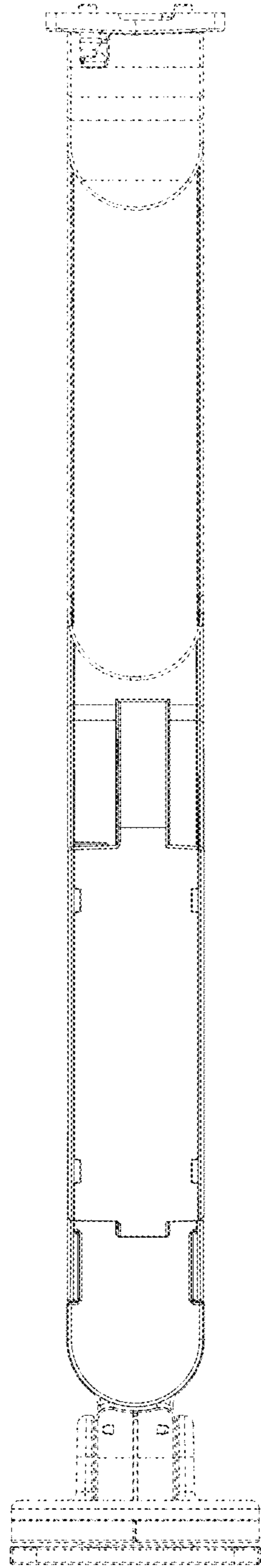


Fig. 42