



US00D859421S

(12) **United States Design Patent** (10) **Patent No.:** **US D859,421 S**
Jin et al. (45) **Date of Patent:** **** Sep. 10, 2019**

(54) **SCREEN MOUNT DEVICE**

(71) Applicant: **A Color Tree Inc**, Pomona, CA (US)

(72) Inventors: **Yan Jin**, Pomona, CA (US); **Qing Feng Lyu**, Hangzhou (CN)

(73) Assignee: **A Color Tree Inc**, Pomona, CA (US)

(**) Term: **15 Years**

(21) Appl. No.: **29/644,304**

(22) Filed: **Apr. 17, 2018**

(51) **LOC (12) Cl.** **14-02**

(52) **U.S. Cl.**
USPC **D14/451**

(58) **Field of Classification Search**
USPC D14/371-382, 125-129, 336, 337, D14/447-452, 492, 335, 239, 457, D14/439-441, 432, 251-253; D8/349, D8/354, 363, 373, 376, 380; D21/333; D12/415; D3/218; 348/180, 184, 325, 348/739, 825
CPC G06F 3/0412; G06F 3/016; G06F 3/0488; G06F 3/011; G06F 3/038; G06F 3/03543; G06F 3/0338; G06F 3/0202; G06F 3/0219; G06F 3/0213; G06F 1/1616; G06F 3/023; G06F 3/04883; G02F 1/13338; G02F 1/1313; G02F 1/1333; G02F 1/135; G02F 1/132; G02F 1/133308; G02F 1/134309; G02F 1/13718; G09G 3/3648; G06K 15/1252; B41J 2/465; G03F 7/70291; G02B 27/0172; G02B 5/30; G02B 2027/0118; G02B 27/0101; F16M 13/02; F16M 13/00; F16M 11/10; F16M 11/04; F16M 2200/08; F16M 11/2021; A47B 21/0314; A47B 88/044; A47B 2021/0335; H02G 3/126; F16B 47/00; F16B 47/006; A47G 1/17; A47K 2201/00

See application file for complete search history.

(56) **References Cited**

U.S. PATENT DOCUMENTS

904,119 A * 11/1908 Downs B61B 12/02 104/182

D251,768 S * 5/1979 Dellinger D8/7

D264,675 S * 6/1982 Inaga D15/29

D268,000 S * 2/1983 Dellinger D8/8

(Continued)

Primary Examiner — Katie Jane Stofko
(74) *Attorney, Agent, or Firm* — Tsz Lung Yeung

(57) **CLAIM**

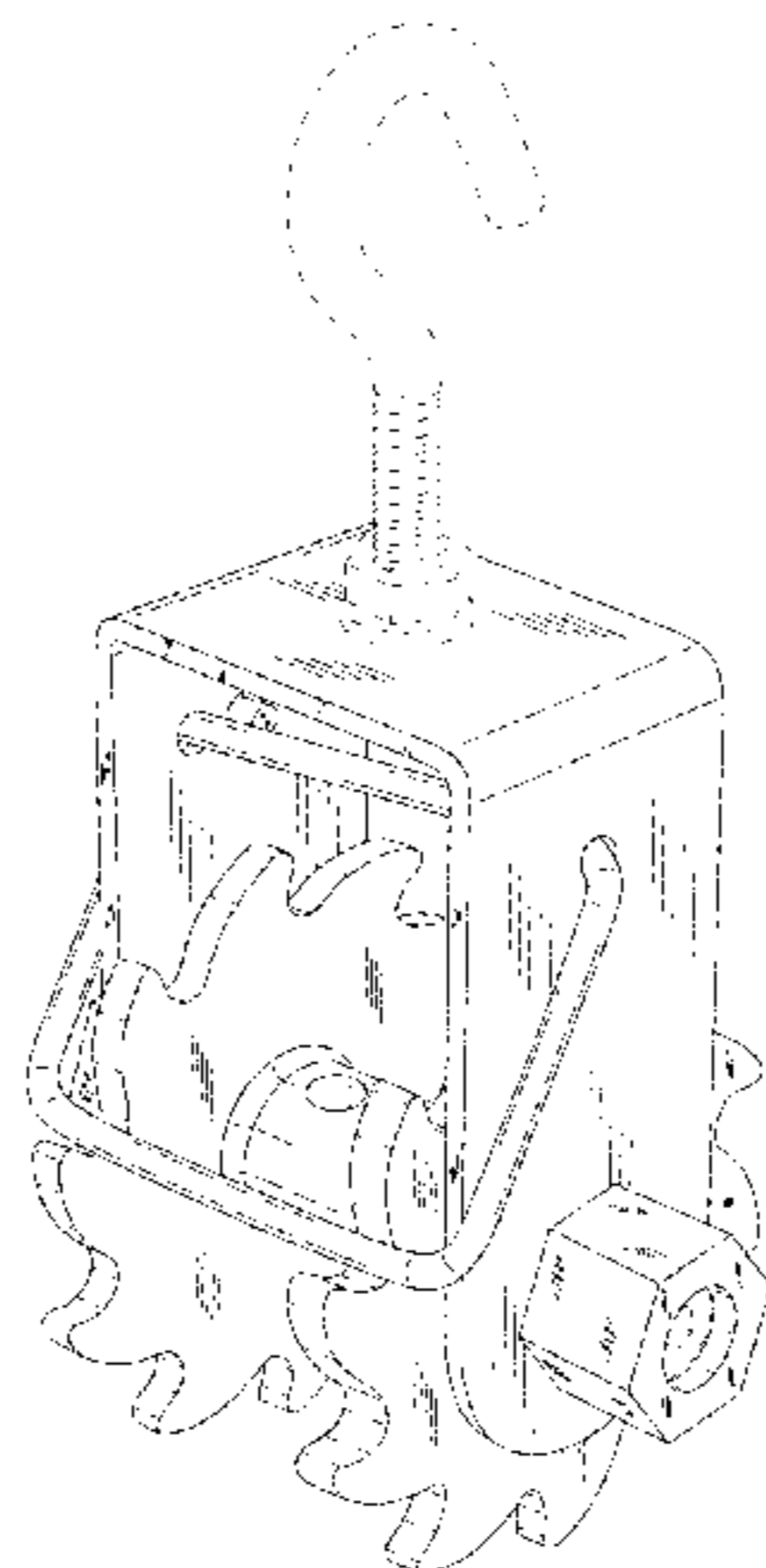
The ornamental design for a screen mount device, as shown and described.

DESCRIPTION

FIG. 1 is a perspective view of a screen mount device showing my new design;
FIG. 2 is a front view thereof;
FIG. 3 is a rear view thereof;
FIG. 4 is a right side view thereof;
FIG. 5 is a left side view thereof;
FIG. 6 is a top view thereof;
FIG. 7 is a bottom view thereof;
FIG. 8 is a perspective view thereof, showing the screen mount device in an environment of use;
FIG. 9 is a front view thereof;
FIG. 10 is a rear view thereof;
FIG. 11 is a right side view thereof;
FIG. 12 is a left side view thereof;
FIG. 13 is a top view thereof; and,
FIG. 14 is a bottom view thereof.

The broken lines shown in FIGS. 1, 4 and 5 illustrate portions of the screen mount device that form no part of the claimed design. The broken lines illustrating the hook connector in FIGS. 8-14 are environment that form no part of the claimed design, while the remaining broken lines in FIGS. 8-14 illustrate portions of the screen mount device that form no part of the claimed design.

1 Claim, 14 Drawing Sheets



(56)

References Cited

U.S. PATENT DOCUMENTS

D416,026 S *	11/1999	Ohsumi	D15/12
D439,721 S *	3/2001	Swanink	D34/29
D518,491 S *	4/2006	Vaughn	D15/28
D523,026 S *	6/2006	Vaughn	D15/12
D628,040 S *	11/2010	Banasik	D8/373
D651,054 S *	12/2011	Alex	D8/8
D654,510 S *	2/2012	Baetica	D15/12
D824,972 S *	8/2018	Karol	D15/148
2014/0159710 A1 *	6/2014	Yu	G01P 13/04 324/207.25

* cited by examiner

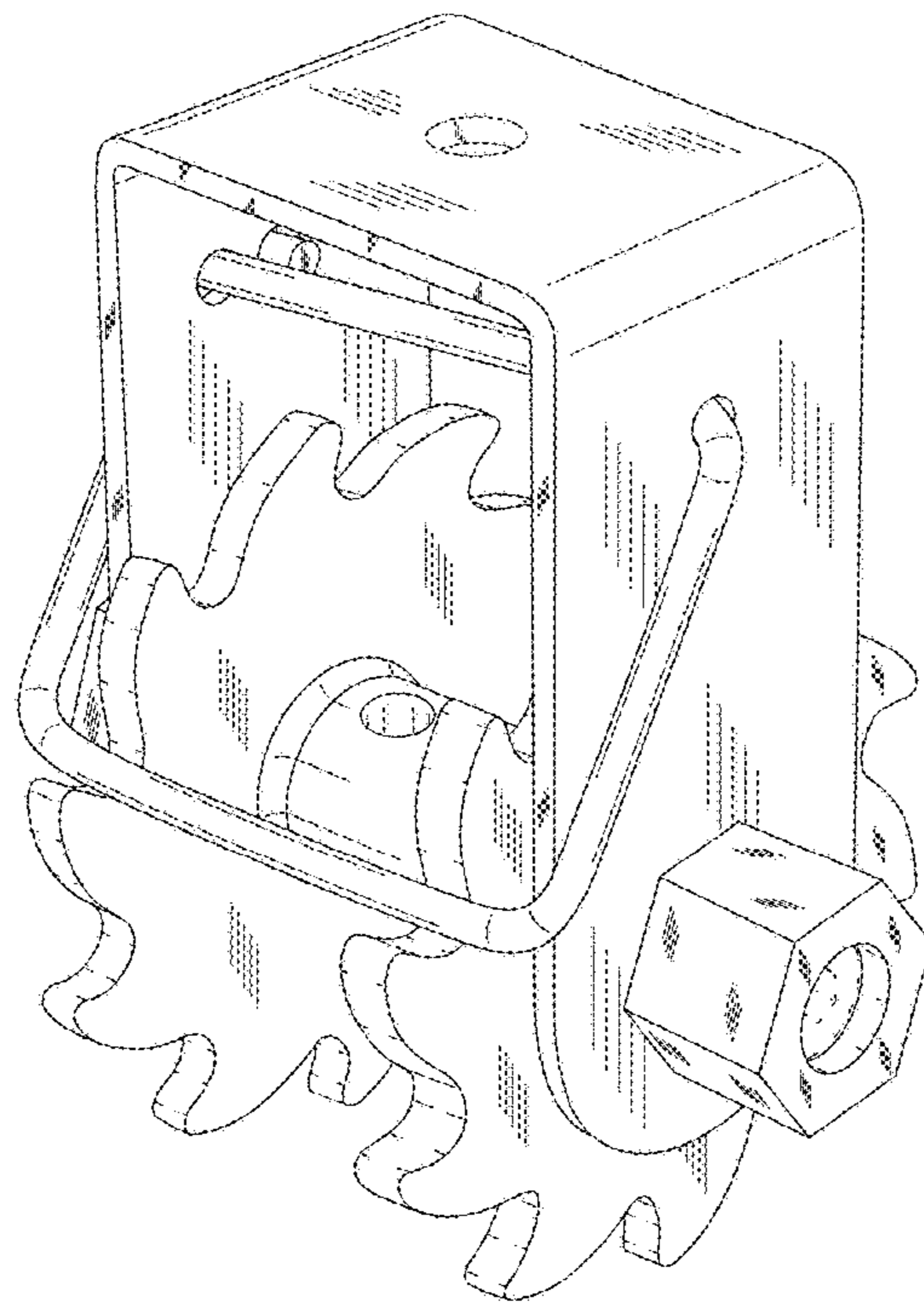


FIG. 1

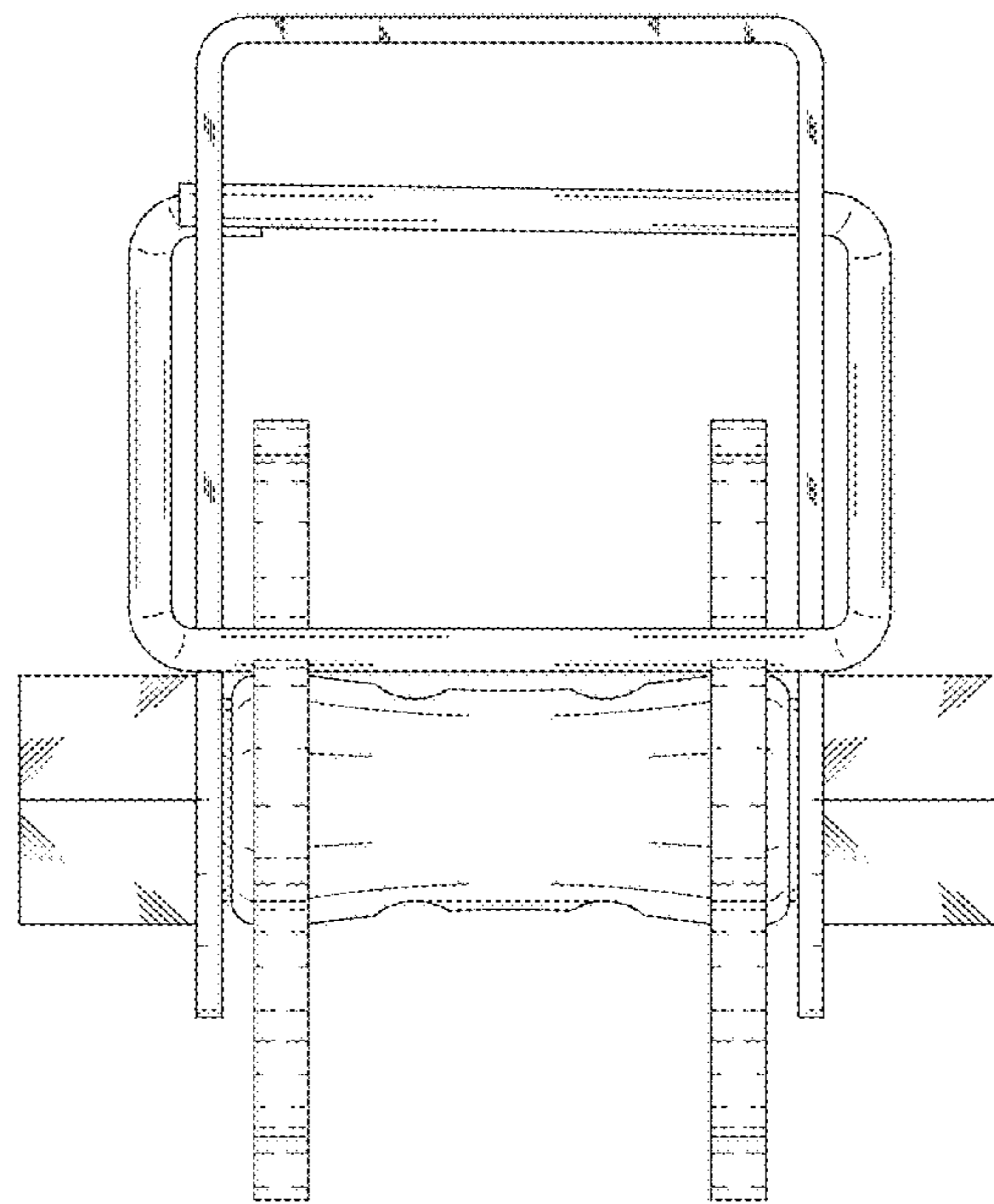


FIG. 2

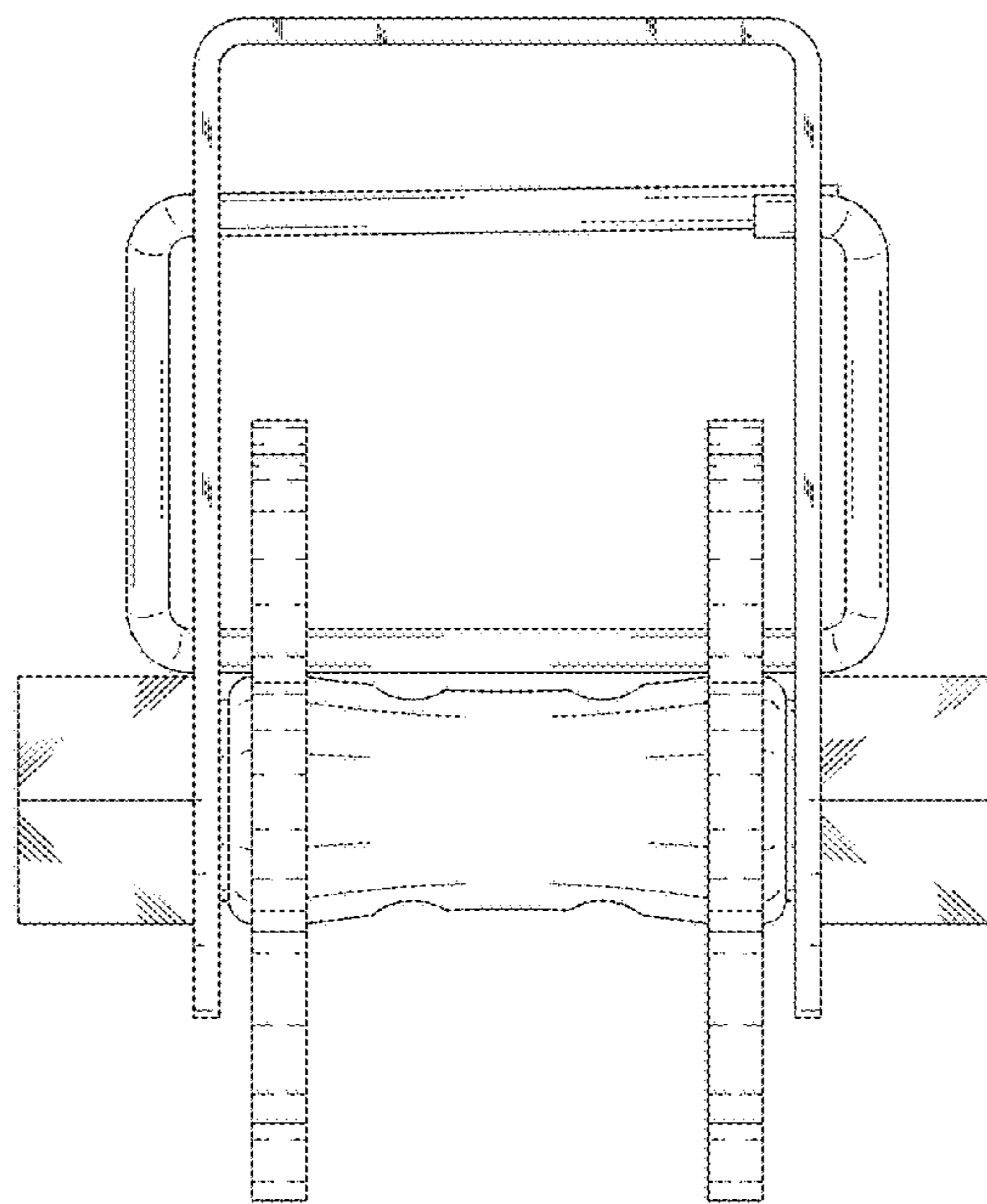


FIG. 3

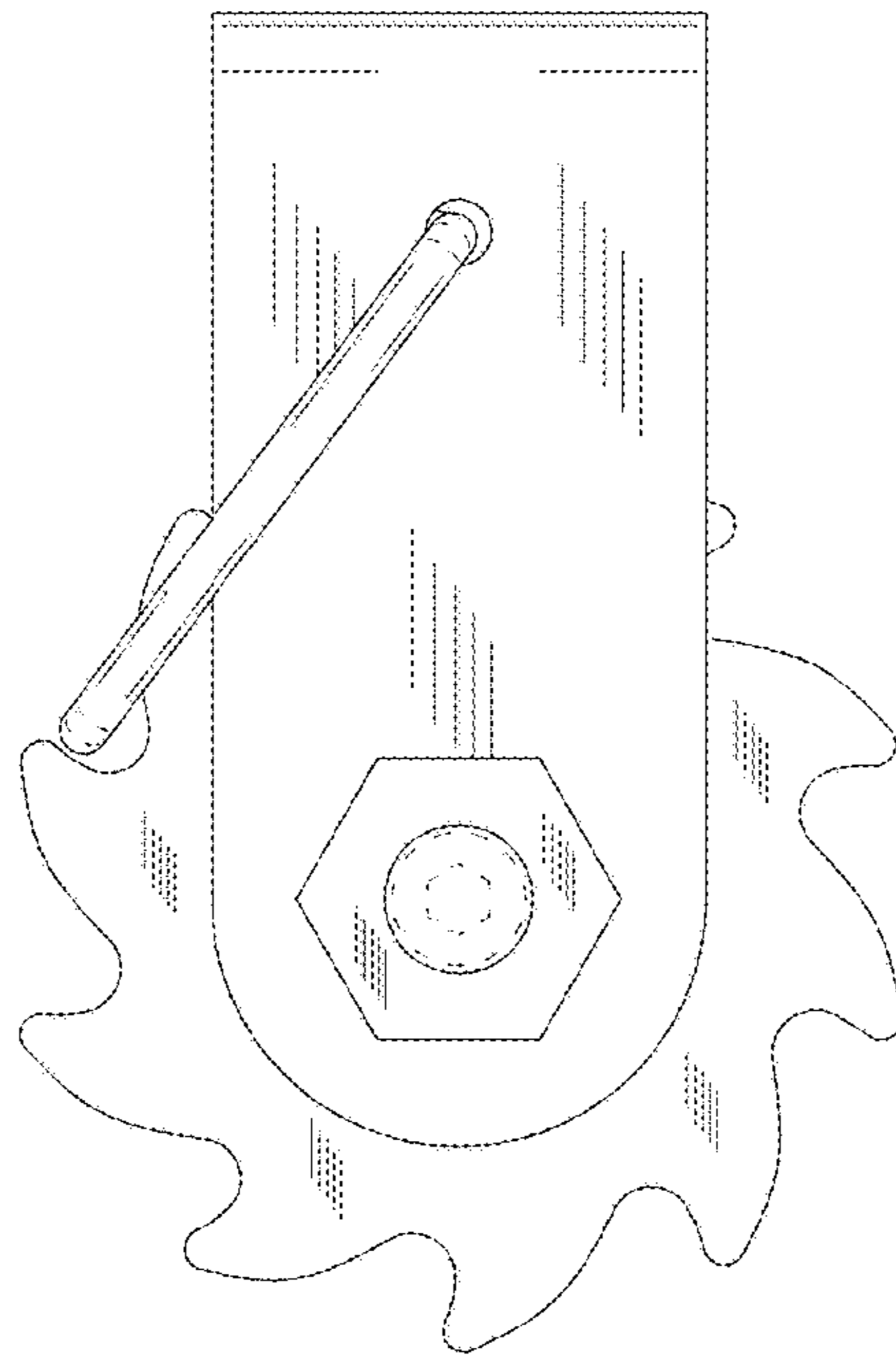


FIG. 4

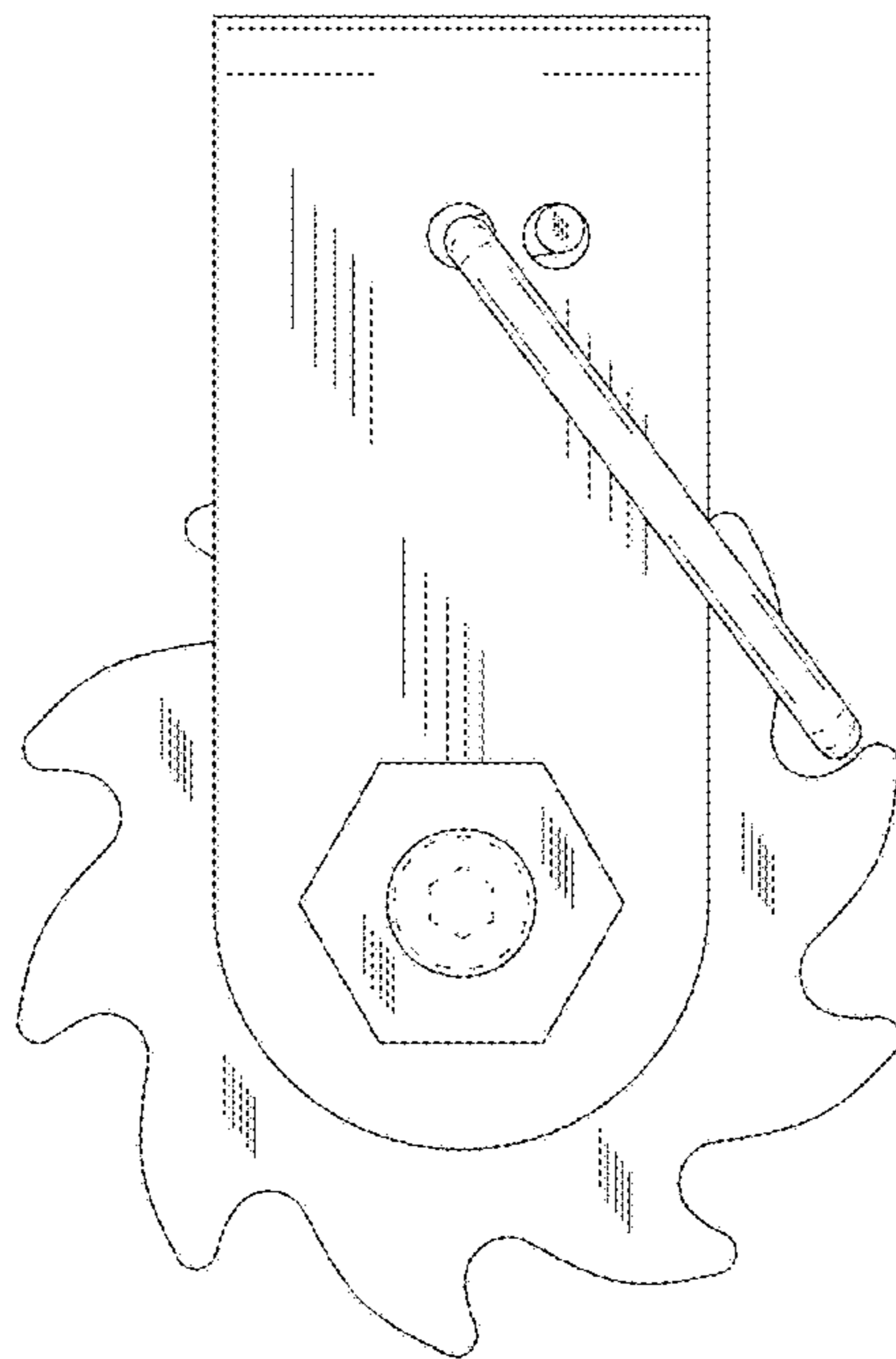


FIG. 5

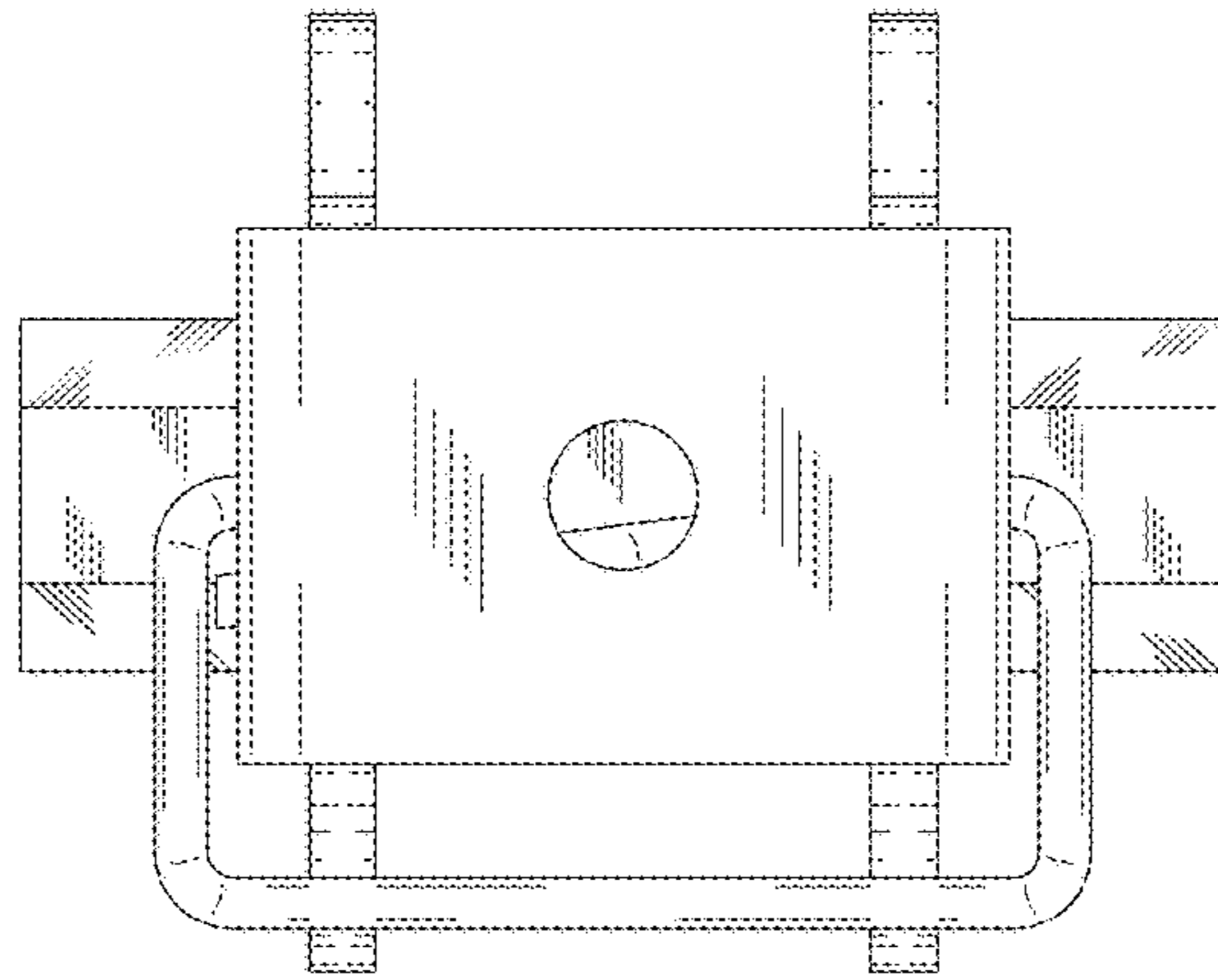


FIG. 6

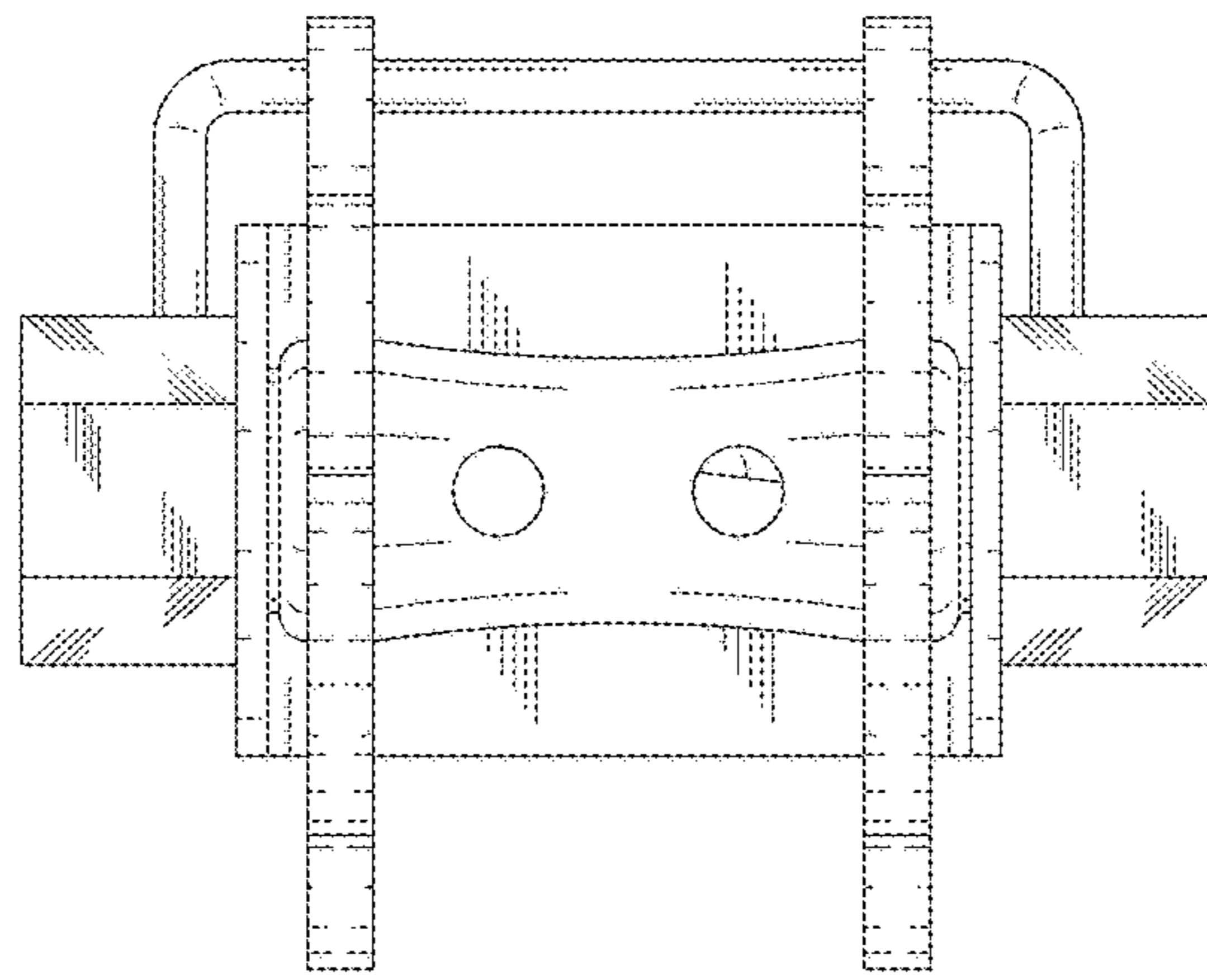


FIG. 7

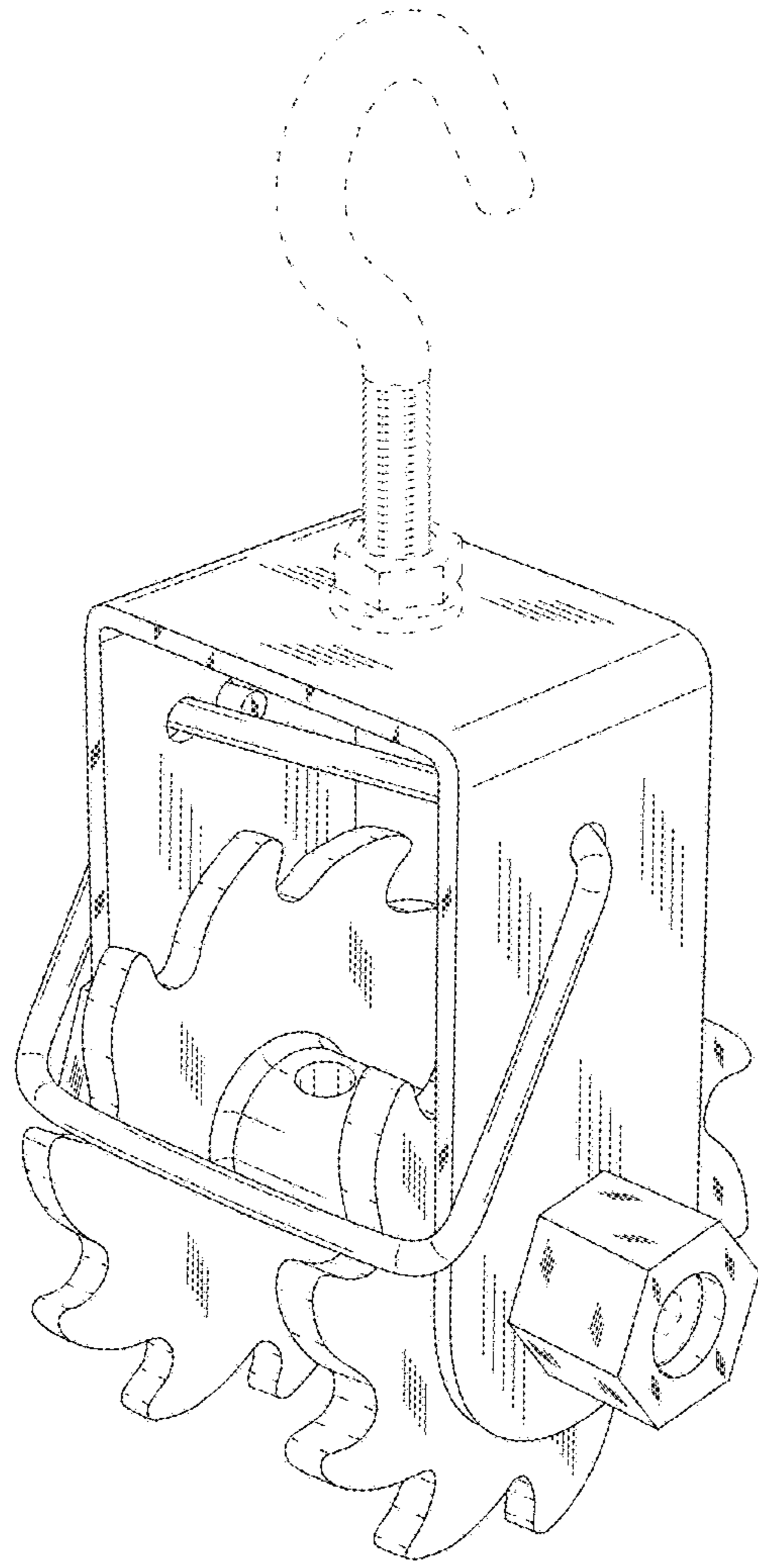


FIG. 8

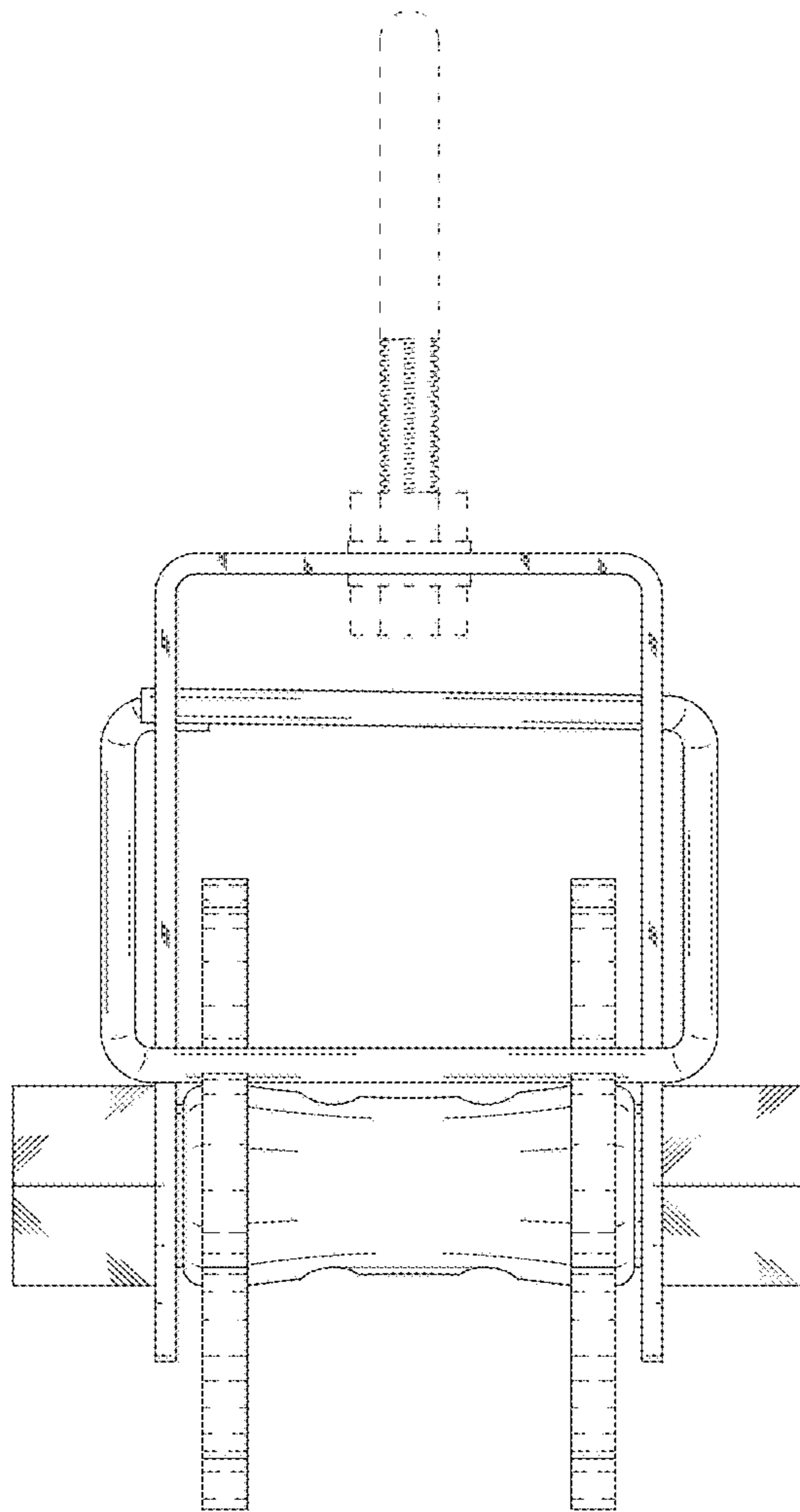


FIG. 9

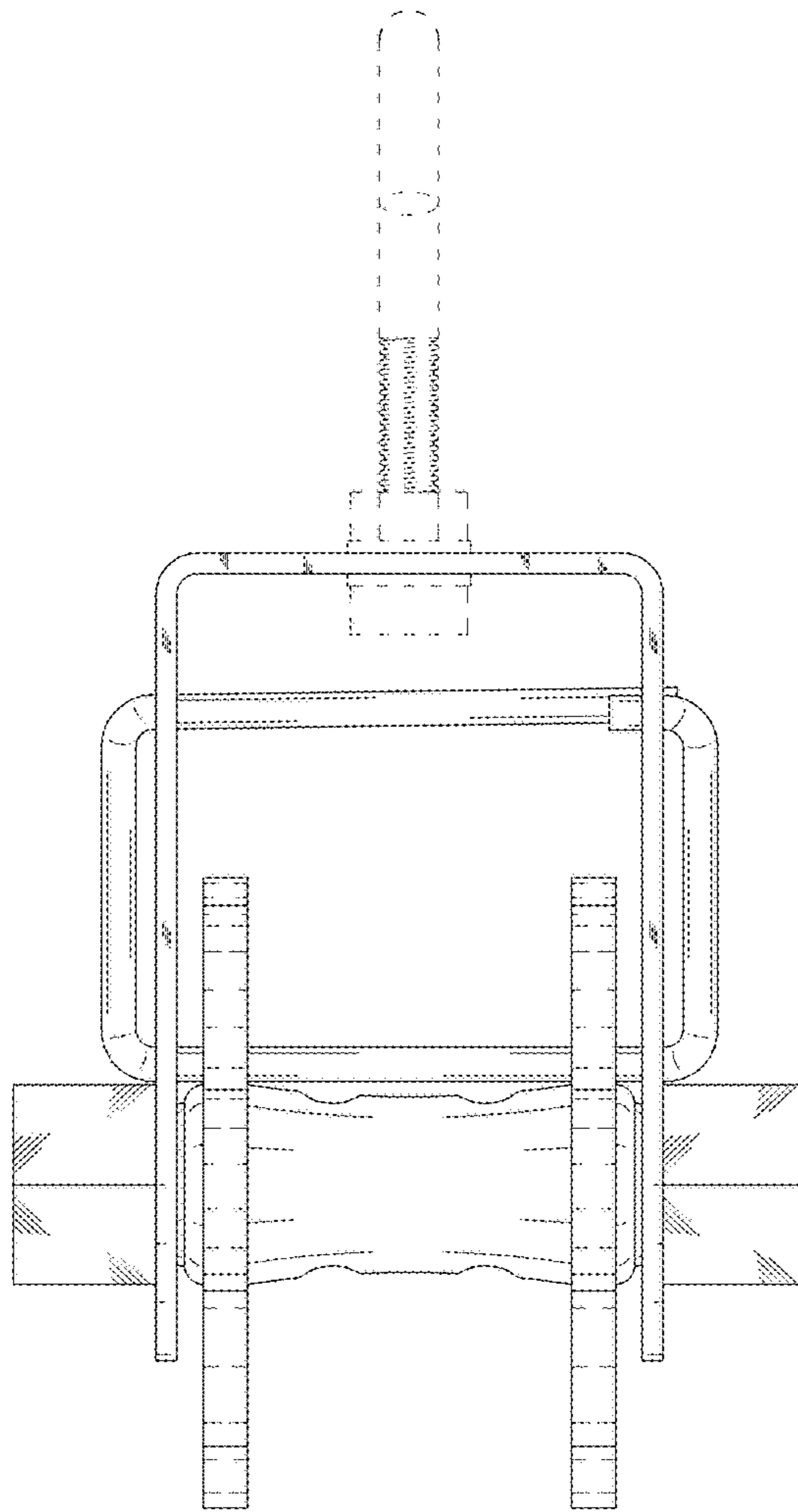


FIG. 10

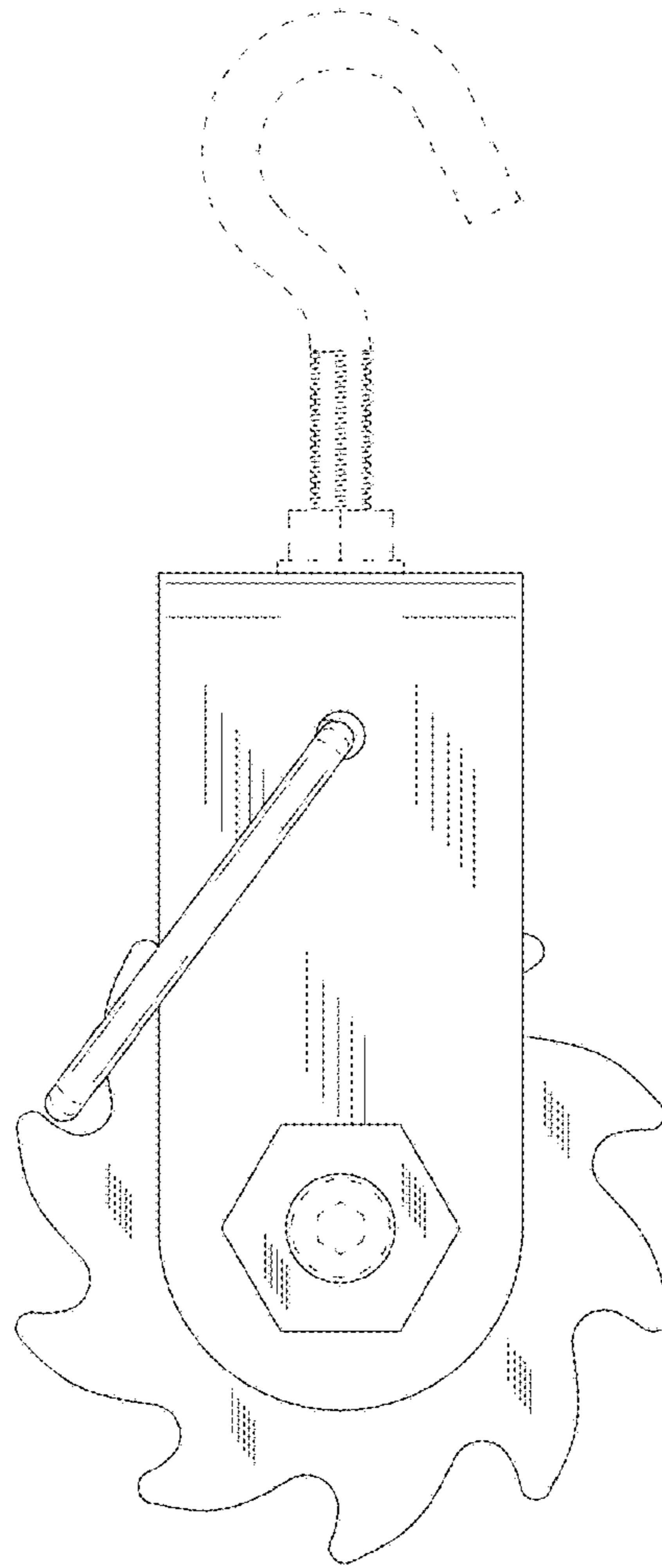


FIG. 11

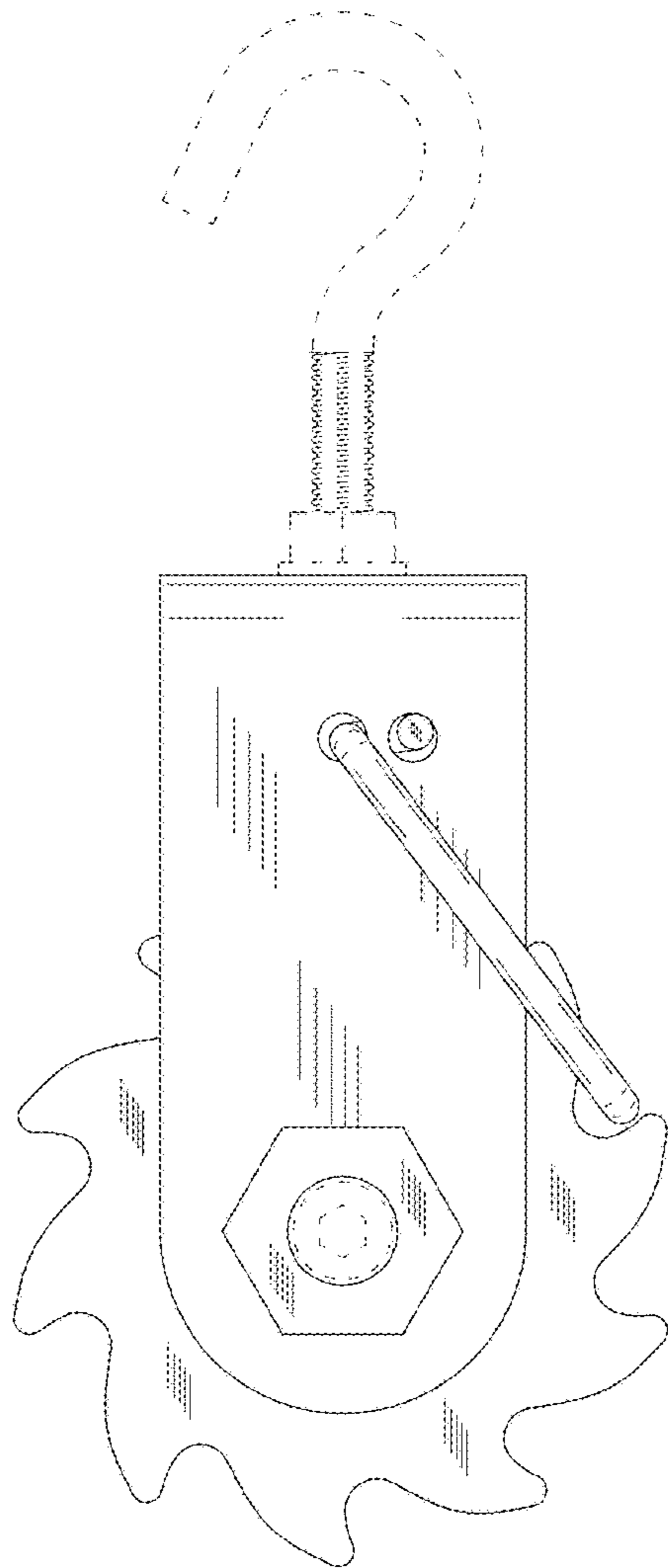


FIG. 12

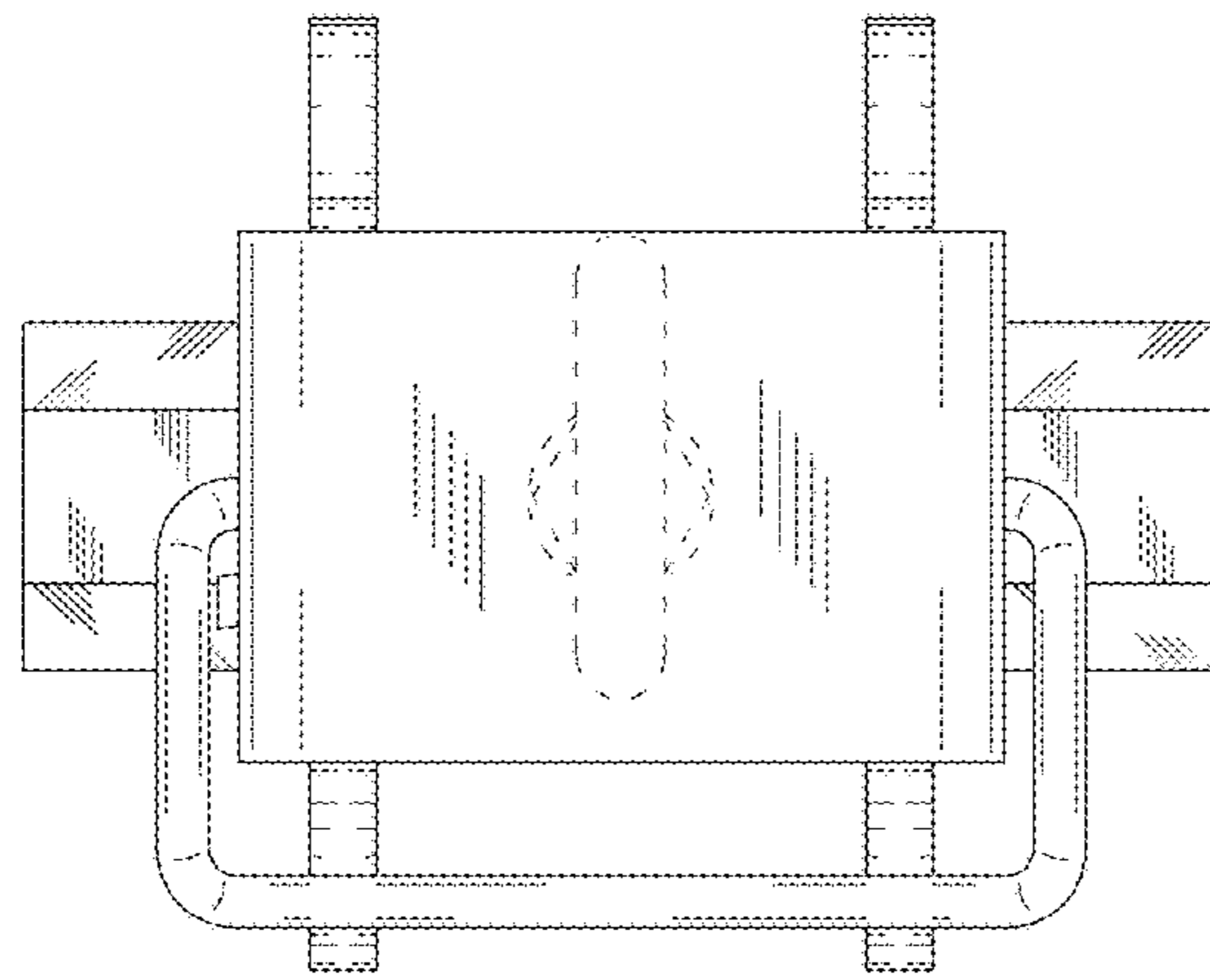


FIG. 13

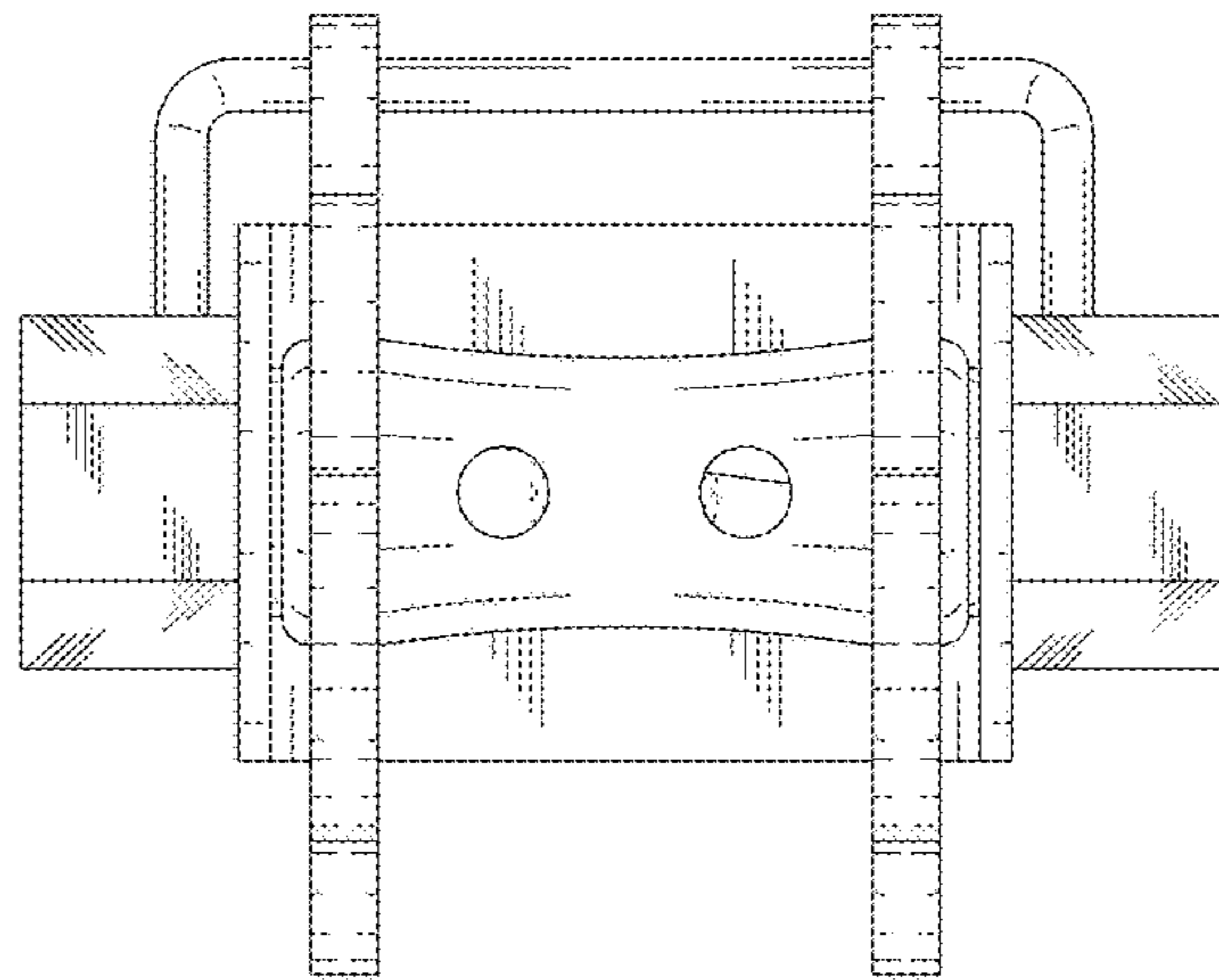


FIG. 14