



US00D859420S

(12) **United States Design Patent**
Hsu et al.

(10) **Patent No.:** **US D859,420 S**

(45) **Date of Patent:** **** Sep. 10, 2019**

(54) **HOLDER FOR ELECTRONIC DEVICE**

(71) Applicant: **Wistron NeWeb Corp.**, Hsinchu (TW)

(72) Inventors: **Pei-Min Hsu**, Hsinchu (TW);
Chien-Ming Peng, Hsinchu (TW)

(73) Assignee: **WISTRON NEWEB CORP.**, Hsinchu

(**) Term: **15 Years**

(21) Appl. No.: **29/635,273**

(22) Filed: **Jan. 30, 2018**

(51) **LOC (12) Cl.** **14-02**

(52) **U.S. Cl.**
USPC **D14/448**

(58) **Field of Classification Search**

USPC D14/371-382, 125-129, 336, 337,
D14/447-452, 492, 335, 239, 457,
D14/439-441, 432, 251-253; D8/349,
D8/354, 363, 373, 376, 380; D21/333;
D12/415; D3/218; 348/180, 184, 325,
348/739, 825
CPC G06F 3/0412; G06F 3/016; G06F 3/0488;
G06F 3/011; G06F 3/038; G06F 3/03543;
G06F 3/0338; G06F 3/0202; G06F
3/0219; G06F 3/0213; G06F 1/1616;
G06F 3/023; G06F 3/04883; G02F
1/13338; G02F 1/1313; G02F 1/1333;
G02F 1/135; G02F 1/132; G02F
1/133308; G02F 1/134309; G02F
1/13718; G09G 3/3648; G06K 15/1252;
B41J 2/465; G03F 7/70291; G02B
27/0172; G02B 5/30; G02B 2027/0118;
G02B 27/0101; F16M 13/02; F16M
13/00; F16M 11/10; F16M 11/04; F16M
2200/08; F16M 11/2021; A47B 21/0314;
A47B 88/044; A47B 2021/0335; H02G
3/126; F16B 47/00; F16B 47/006; A47G
1/17; A47K 2201/00

See application file for complete search history.

(56) **References Cited**

U.S. PATENT DOCUMENTS

D356,074 S * 3/1995 Coblentz D14/457
D370,681 S * 6/1996 Diamond D14/252
8,020,824 B2 * 9/2011 Pan F16M 11/10
248/222.51
D715,310 S * 10/2014 Stifal D14/451
9,172,137 B2 * 10/2015 Lee H01Q 3/06

(Continued)

Primary Examiner — Katie Jane Stofko

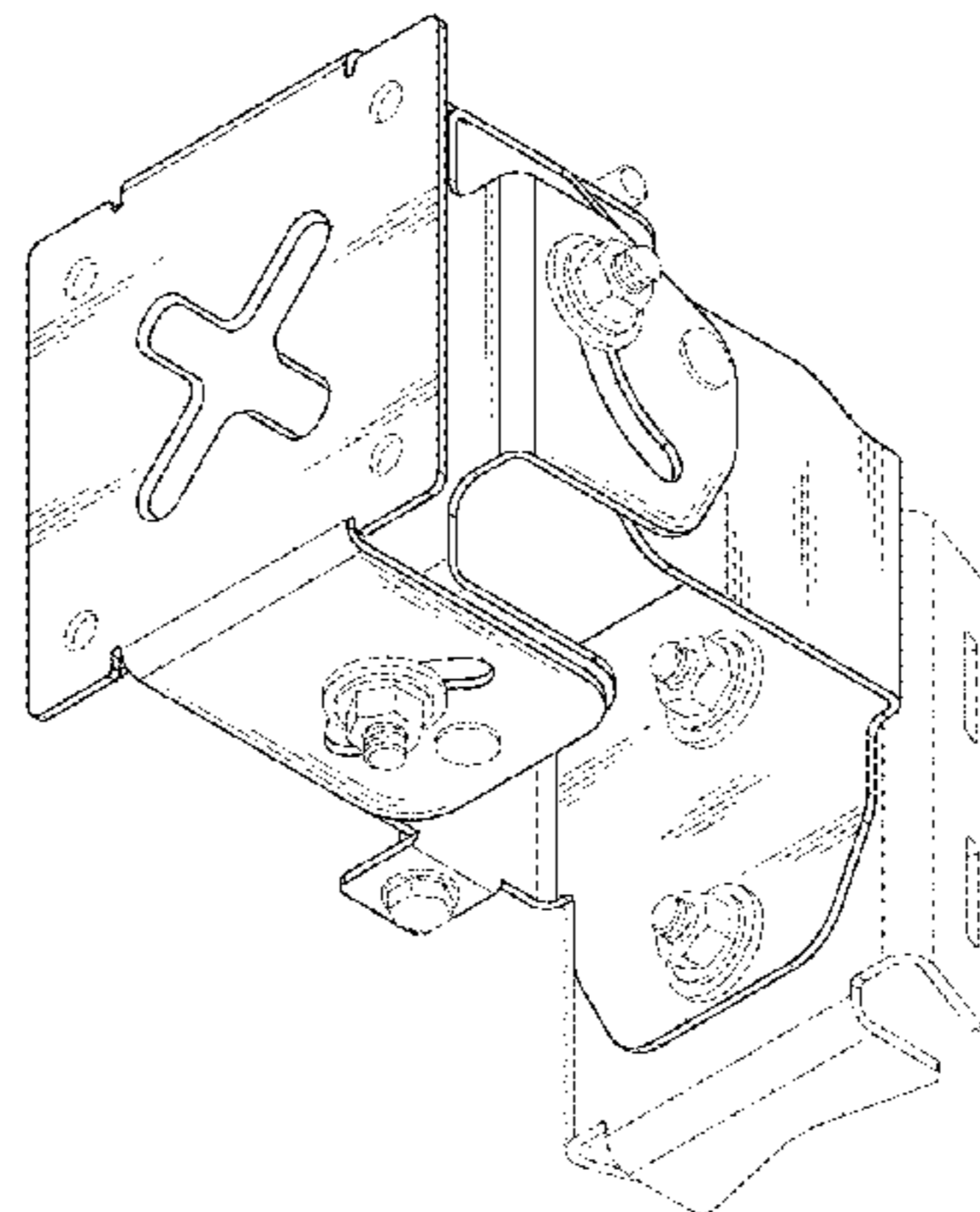
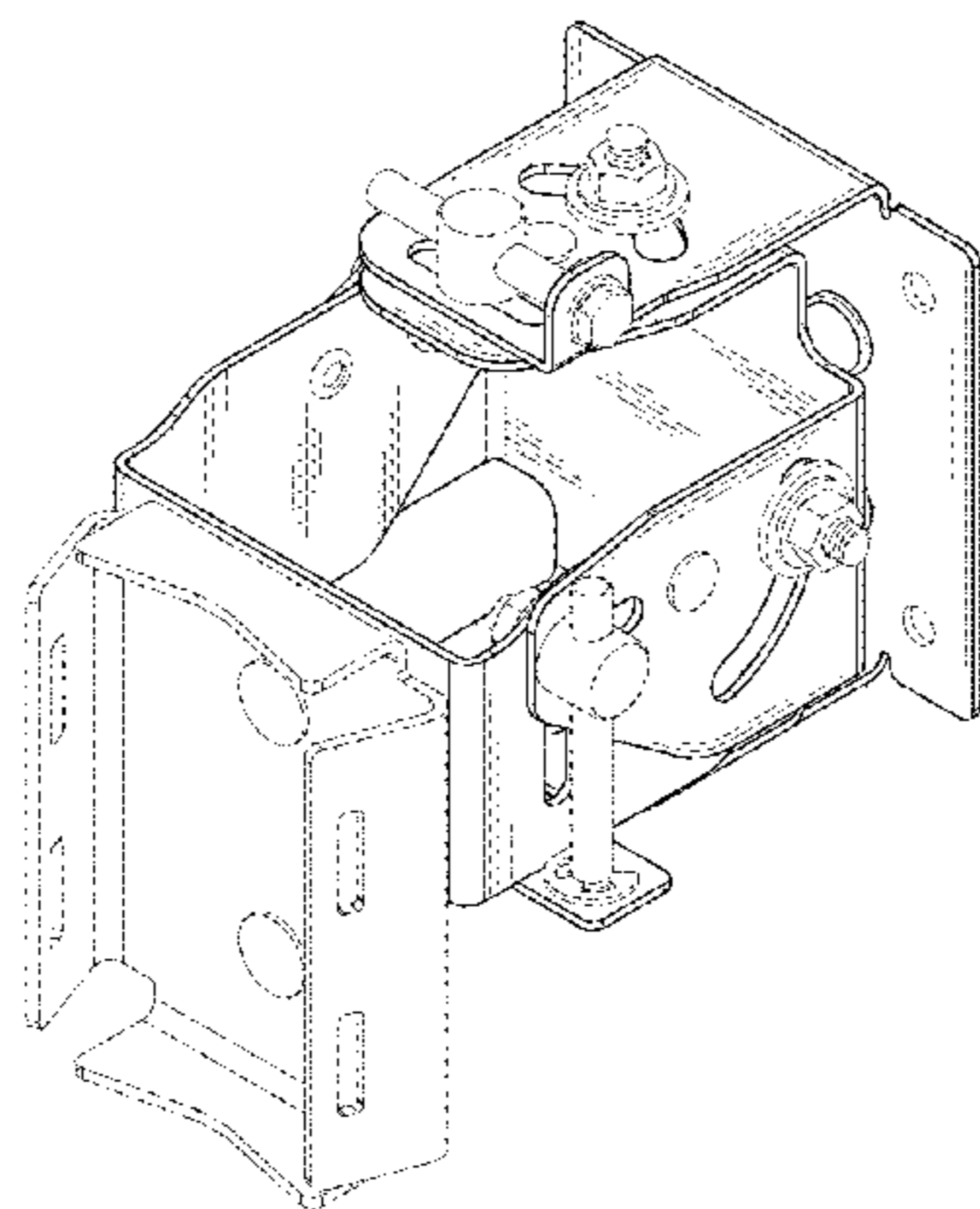
(57) **CLAIM**

The ornamental design for holder for electronic device, as shown and described.

DESCRIPTION

FIG. 1 is a front, top and left perspective view of a first embodiment of a holder for electronic device;
FIG. 2 is a front elevation view thereof;
FIG. 3 is a rear elevation view thereof;
FIG. 4 is a left side elevation view thereof;
FIG. 5 is a right side elevation view thereof;
FIG. 6 is a top plan view thereof;
FIG. 7 is a bottom plan view thereof;
FIG. 8 is a rear, bottom, left view thereof;
FIG. 9 is a front, top and left perspective view of a second embodiment of a holder for electronic device;
FIG. 10 is a front elevation view thereof;
FIG. 11 is a rear elevation view thereof;
FIG. 12 is a left side elevation view thereof;
FIG. 13 is a right side elevation view thereof;
FIG. 14 is a top plan view thereof;
FIG. 15 is a bottom plan view thereof; and,
FIG. 16 is a rear, bottom, left view thereof.
The holder for electronic device can be a holder for an electronic device such as a wireless access point device. The broken lines in the drawings depict portions of the holder for electronic device that form no part of the claimed design.

1 Claim, 16 Drawing Sheets



(56)

References Cited

U.S. PATENT DOCUMENTS

9,966,649	B2 *	5/2018	Christie	F16M 13/022
D832,258	S *	10/2018	Jhun	D14/432
2005/0127256	A1 *	6/2005	Johnson	H02G 3/126 248/205.1
2006/0108362	A1 *	5/2006	Lalancette	H02G 3/126 220/3.7
2010/0288554	A1 *	11/2010	Jafari	H02G 3/126 174/545
2011/0001026	A1 *	1/2011	Kubsad	A47B 96/067 248/223.41
2015/0047445	A1 *	2/2015	Yang	F16B 5/0216 74/89.39
2015/0083875	A1 *	3/2015	Lloyd	H01Q 1/1228 248/218.4

* cited by examiner

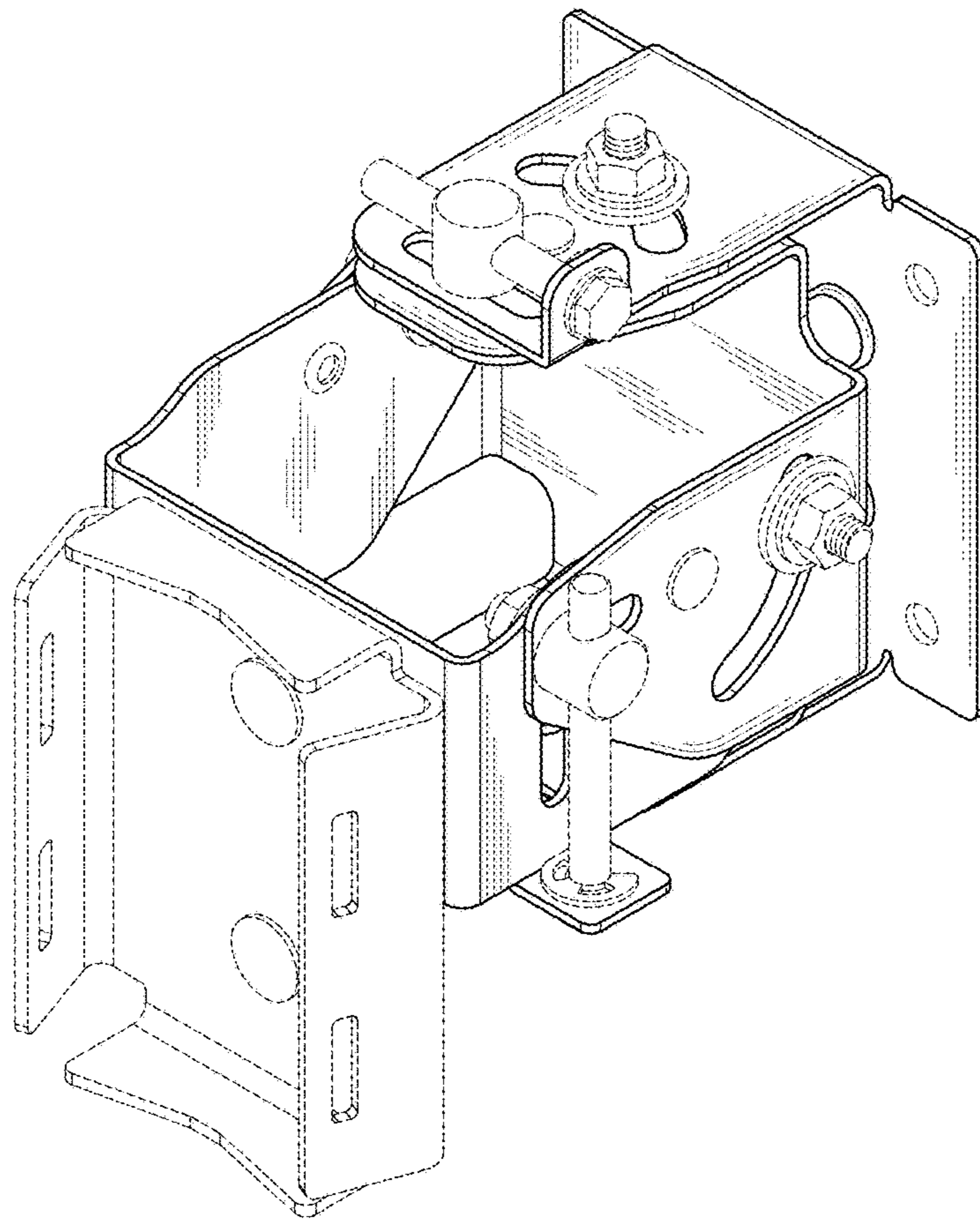


FIG. 1

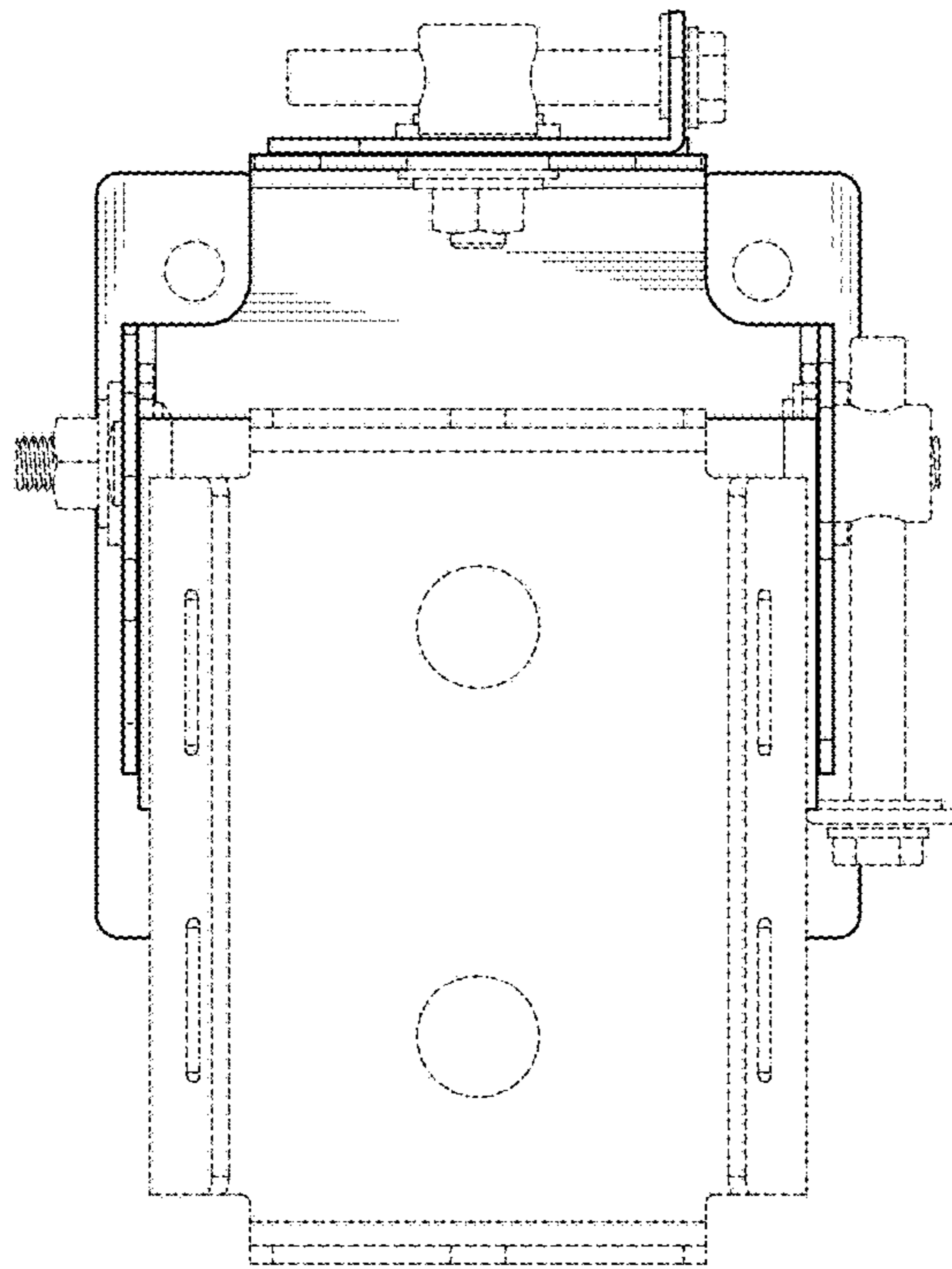


FIG. 2

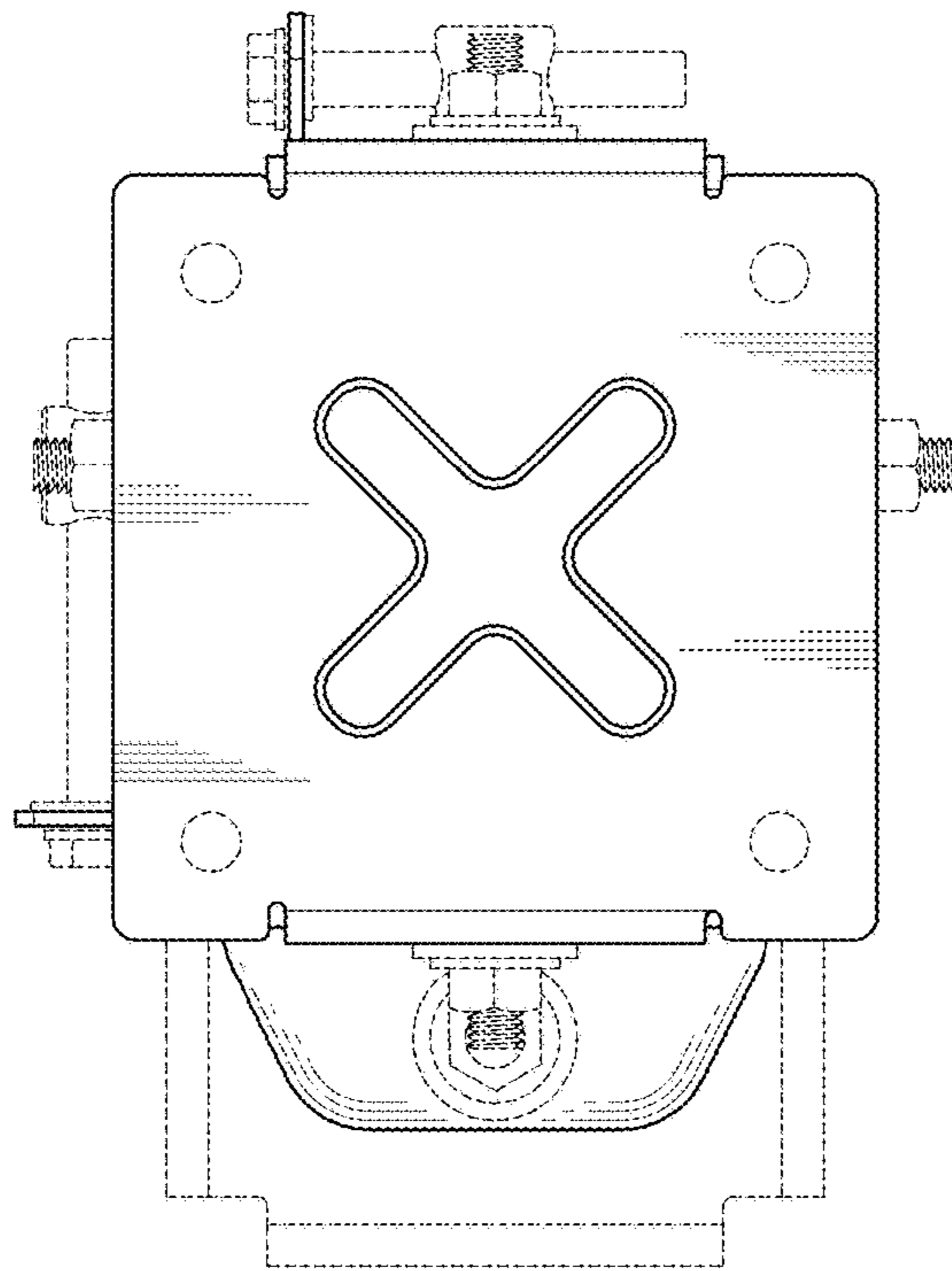


FIG. 3

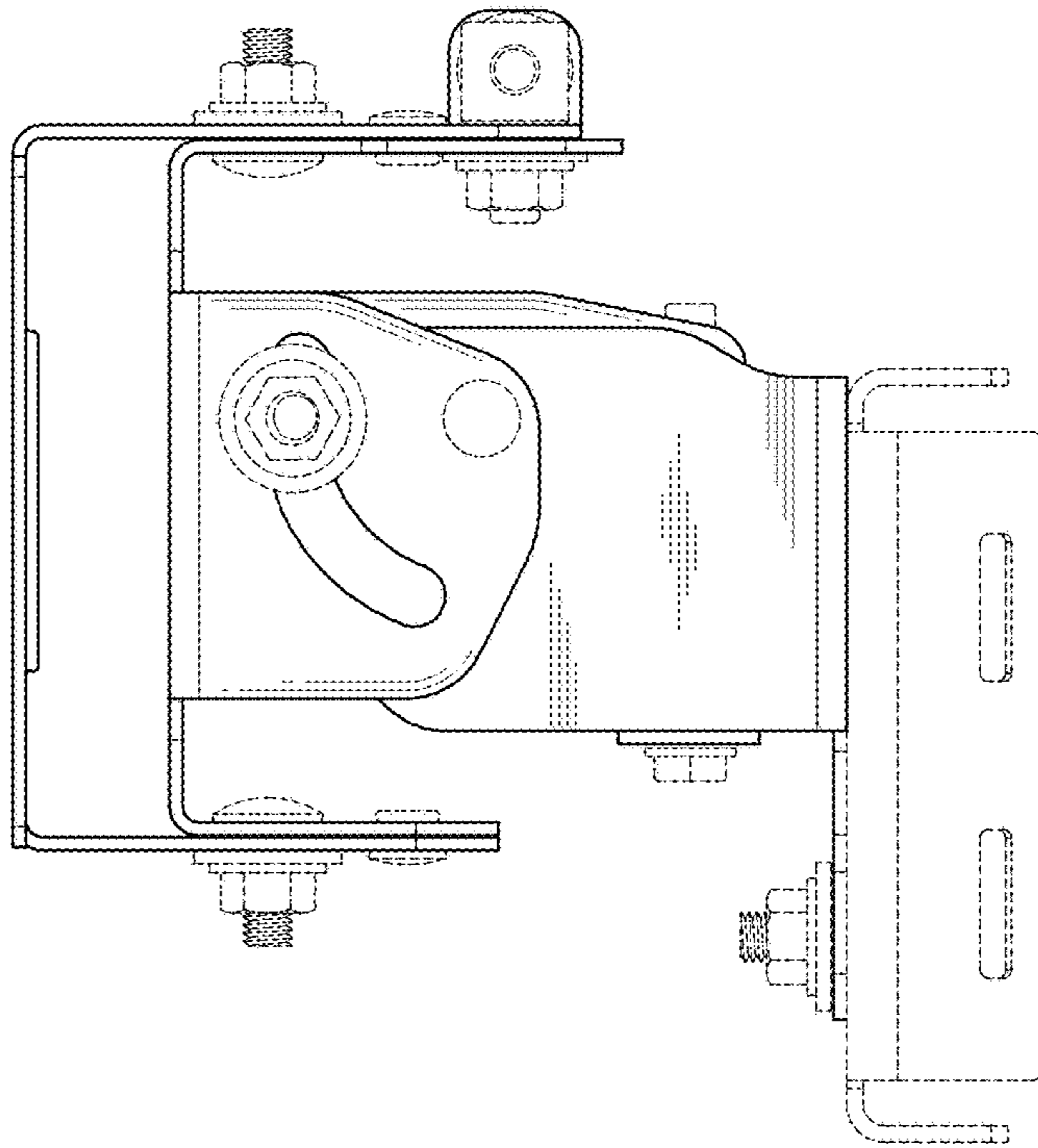


FIG. 4

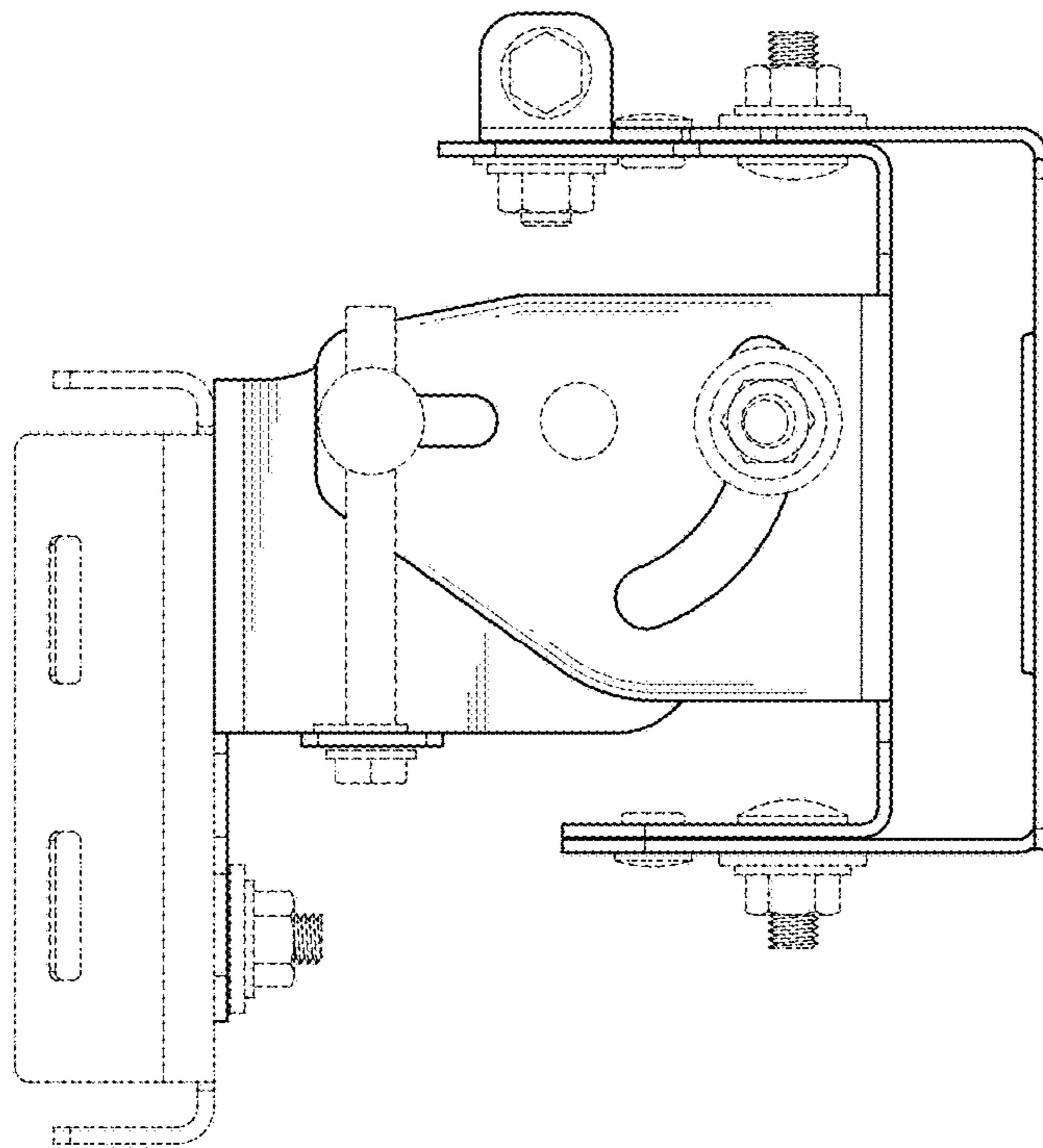


FIG. 5

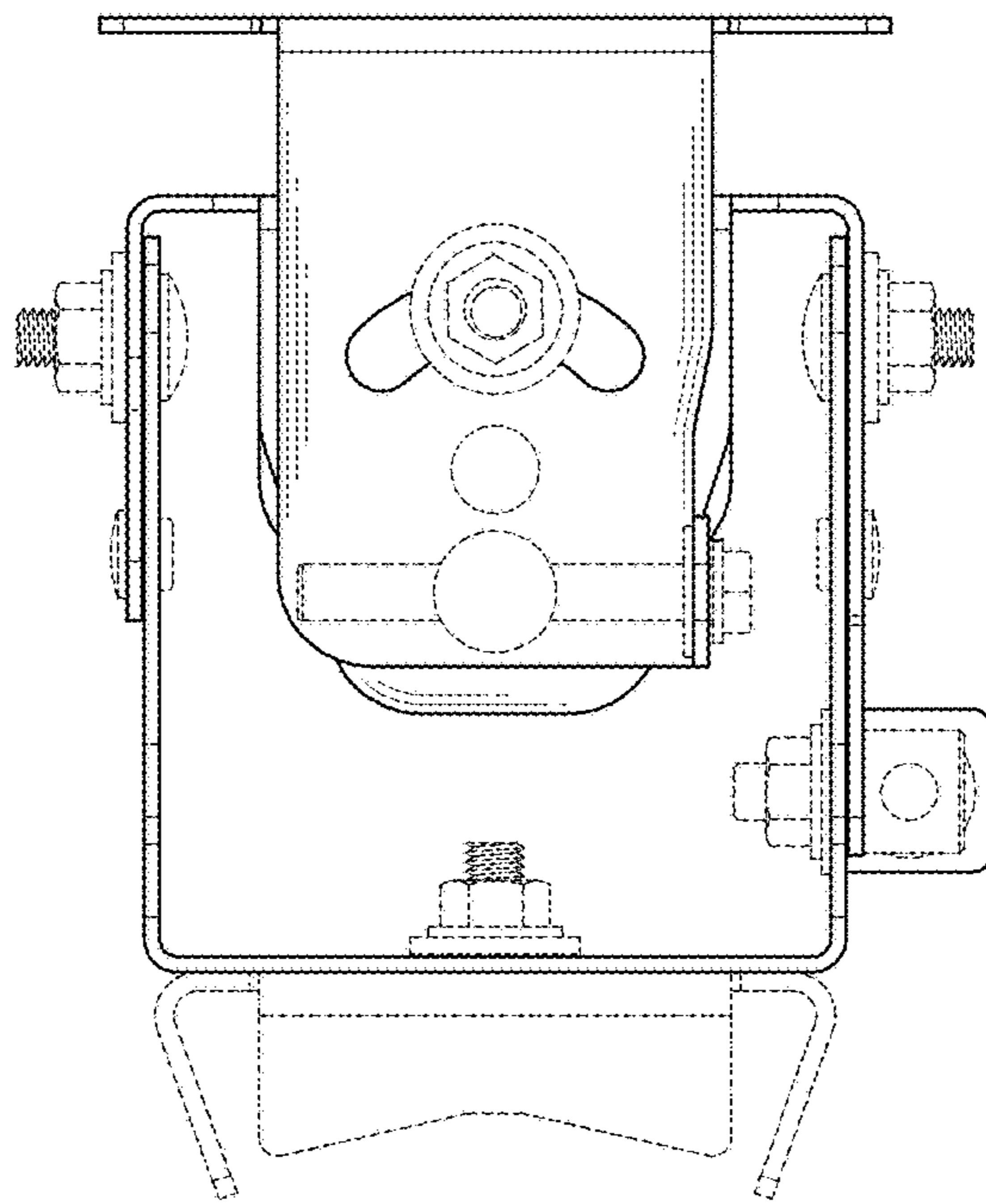


FIG. 6

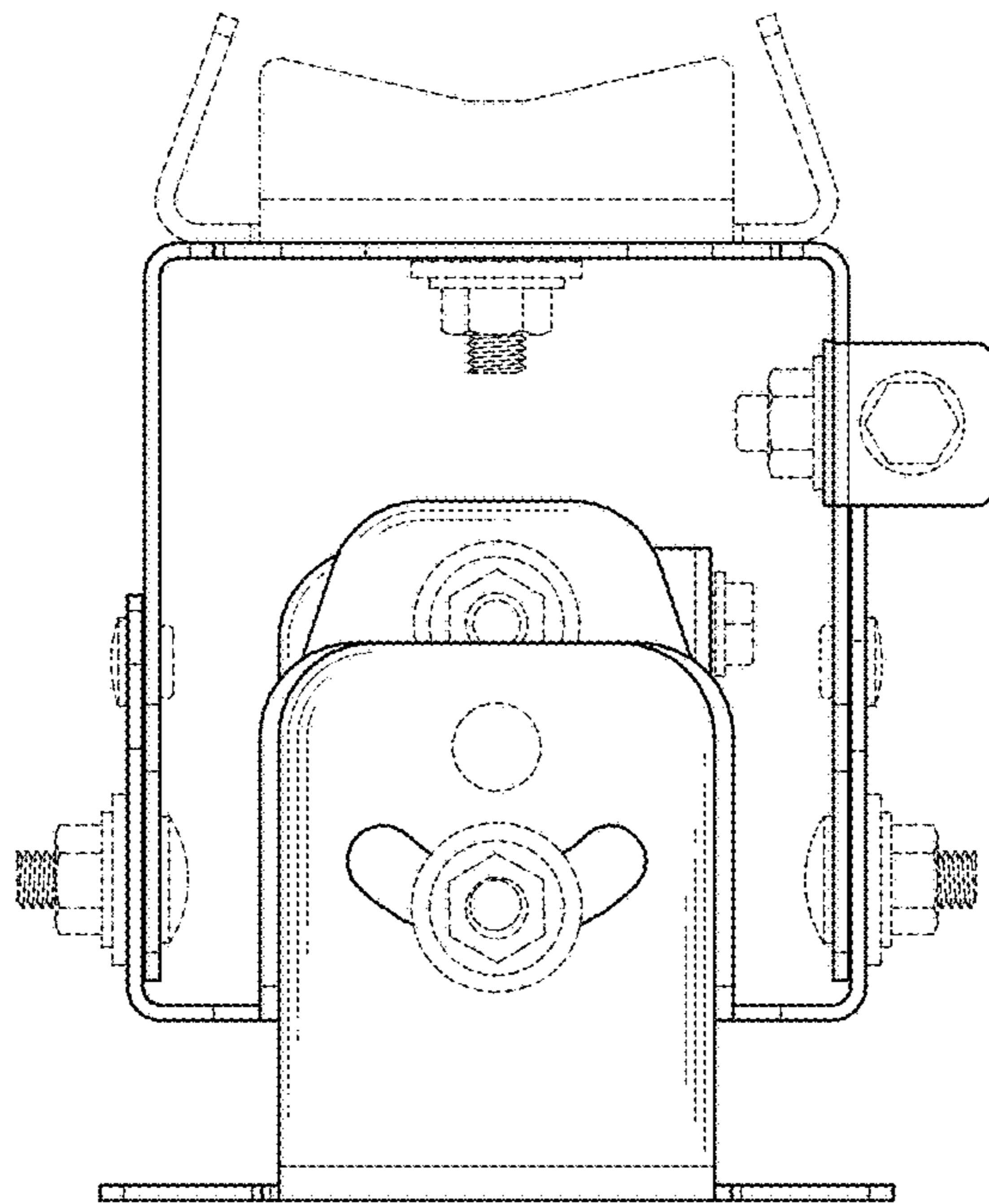


FIG. 7

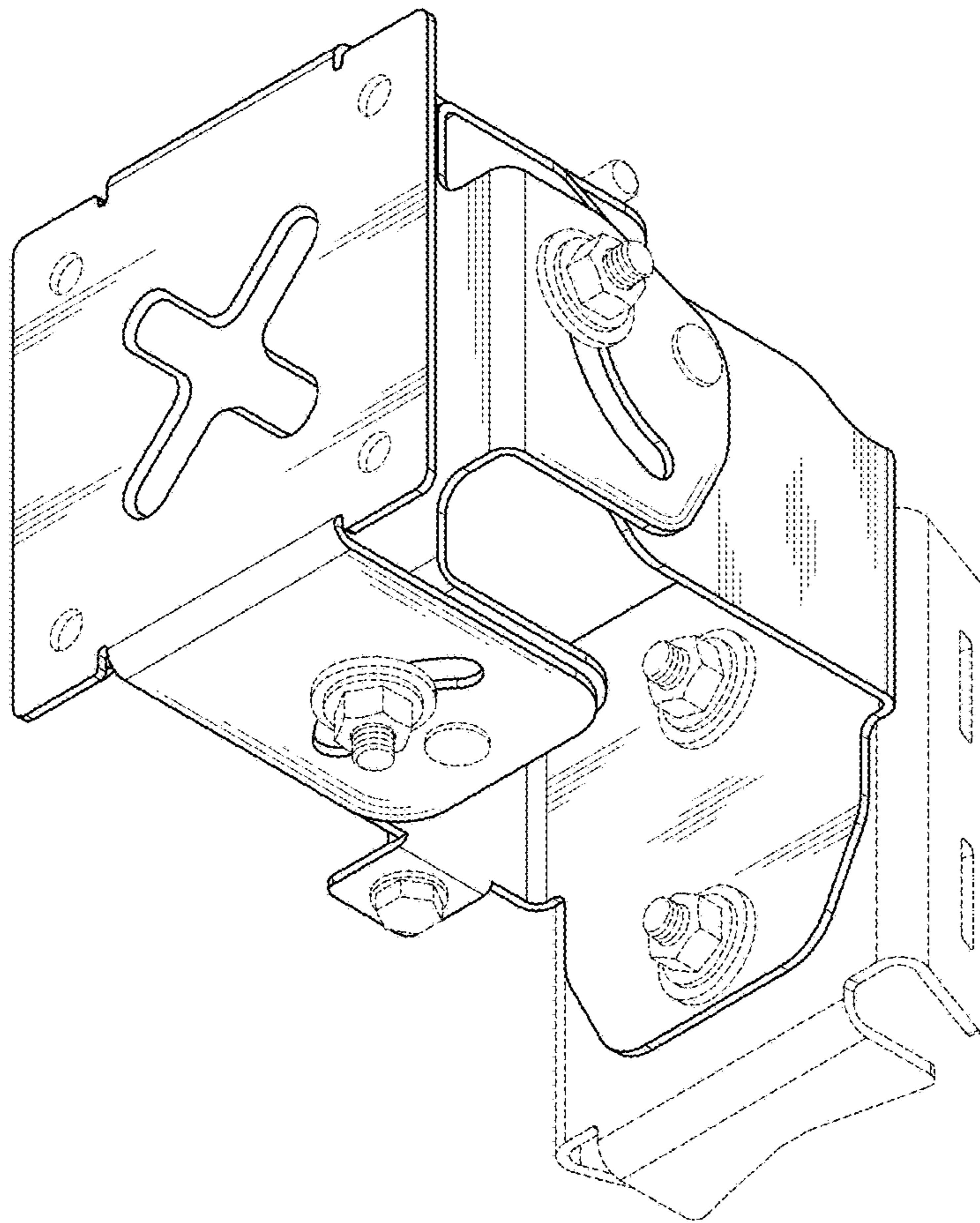


FIG. 8

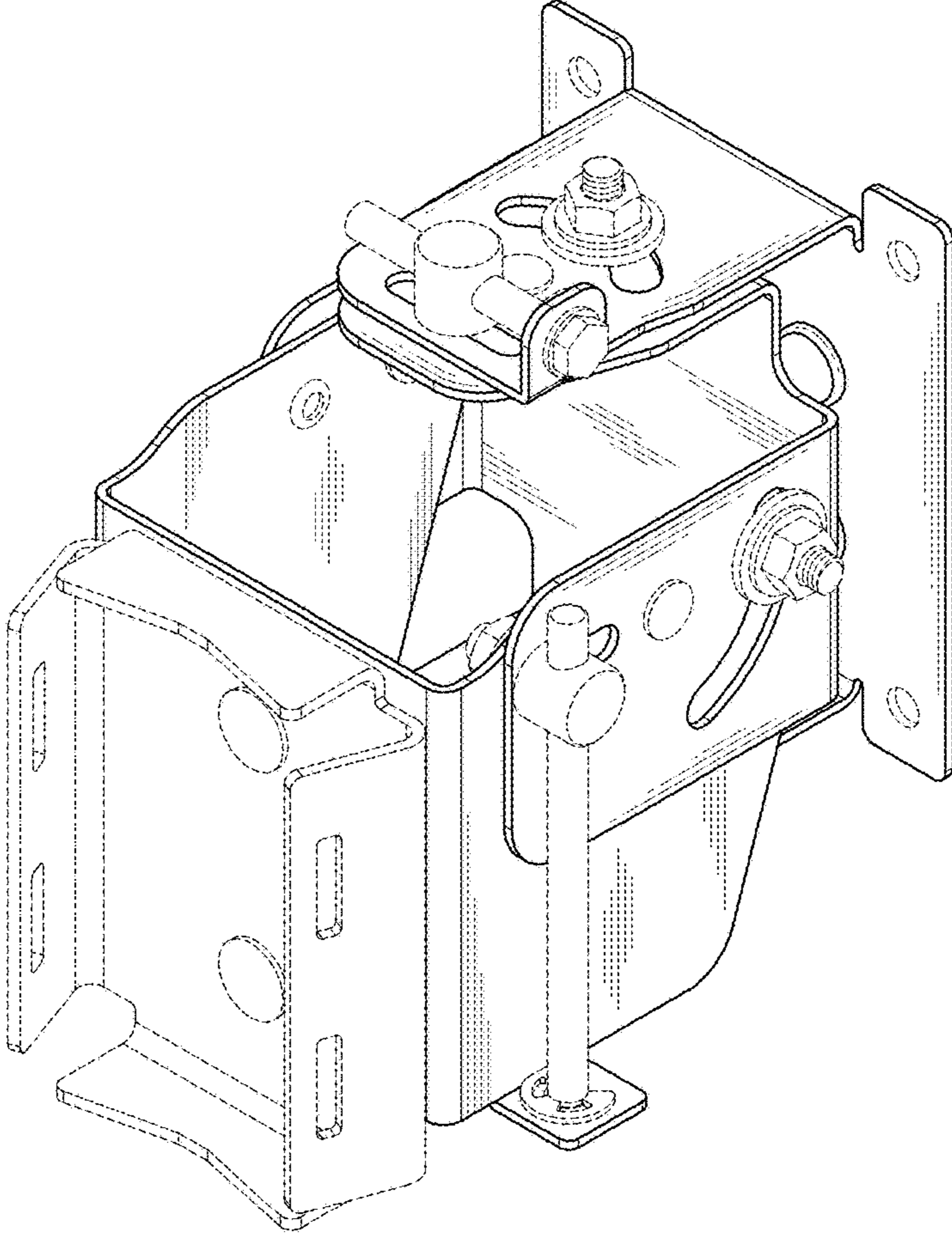


FIG. 9

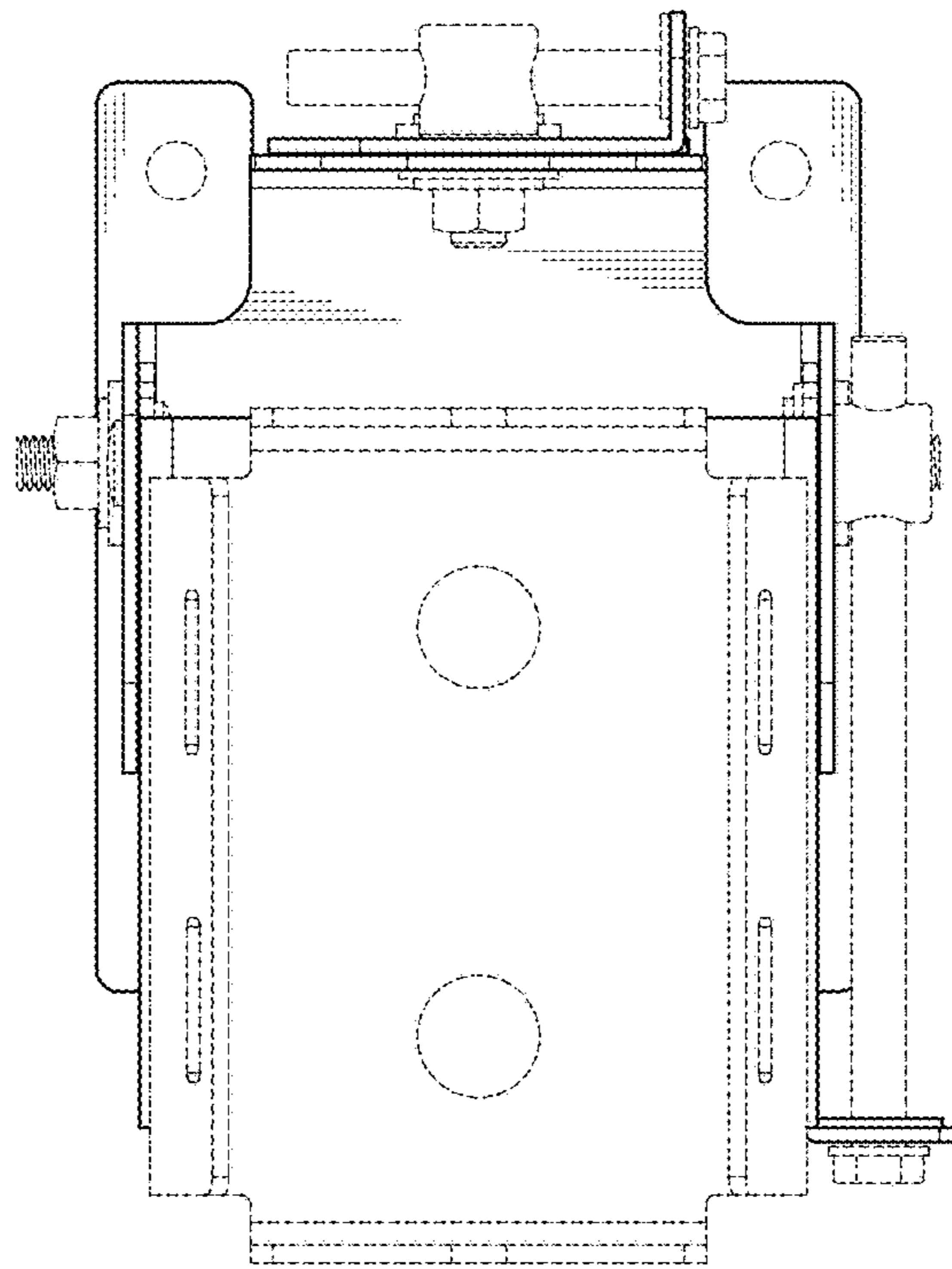


FIG. 10

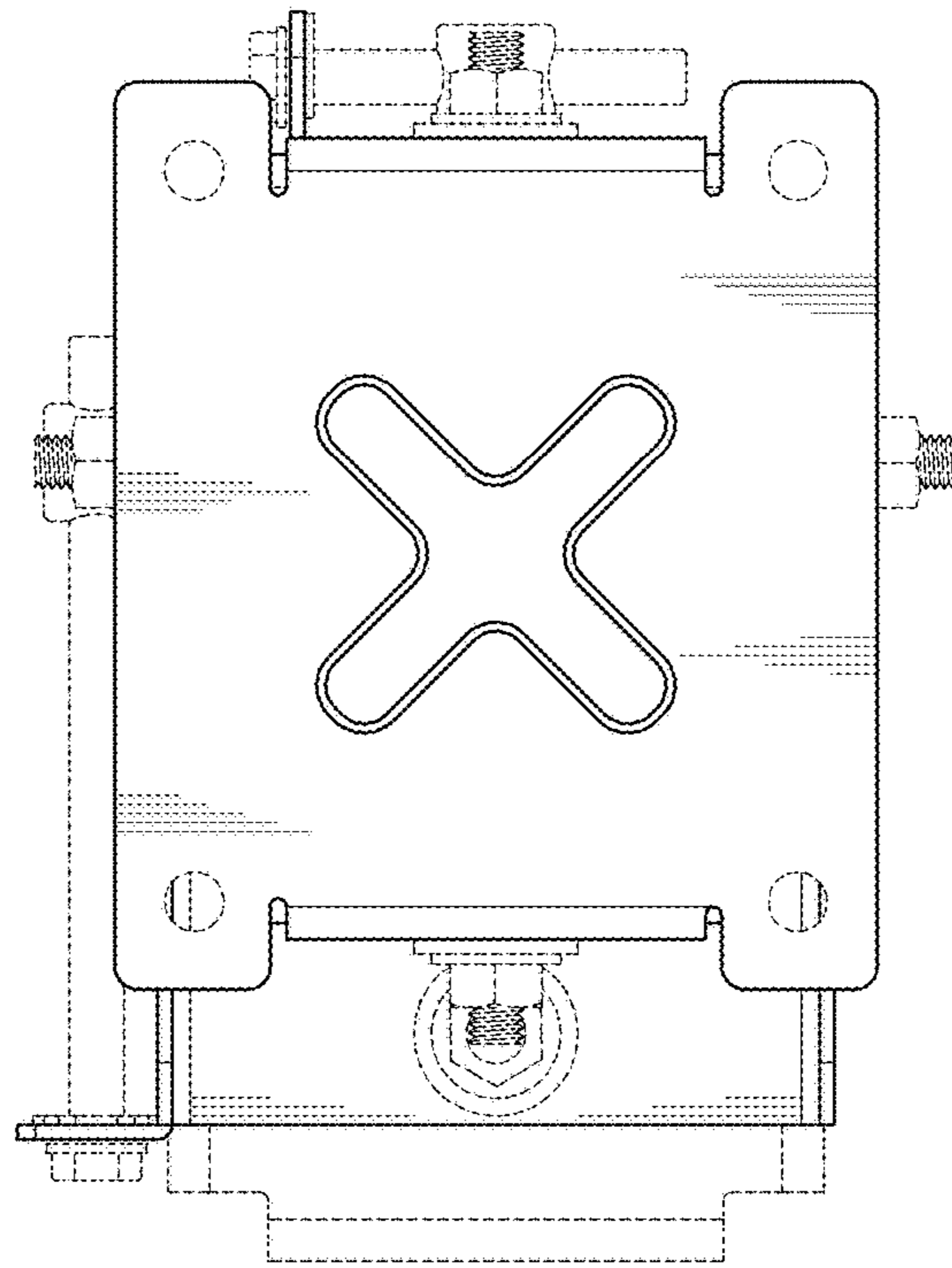


FIG. 11

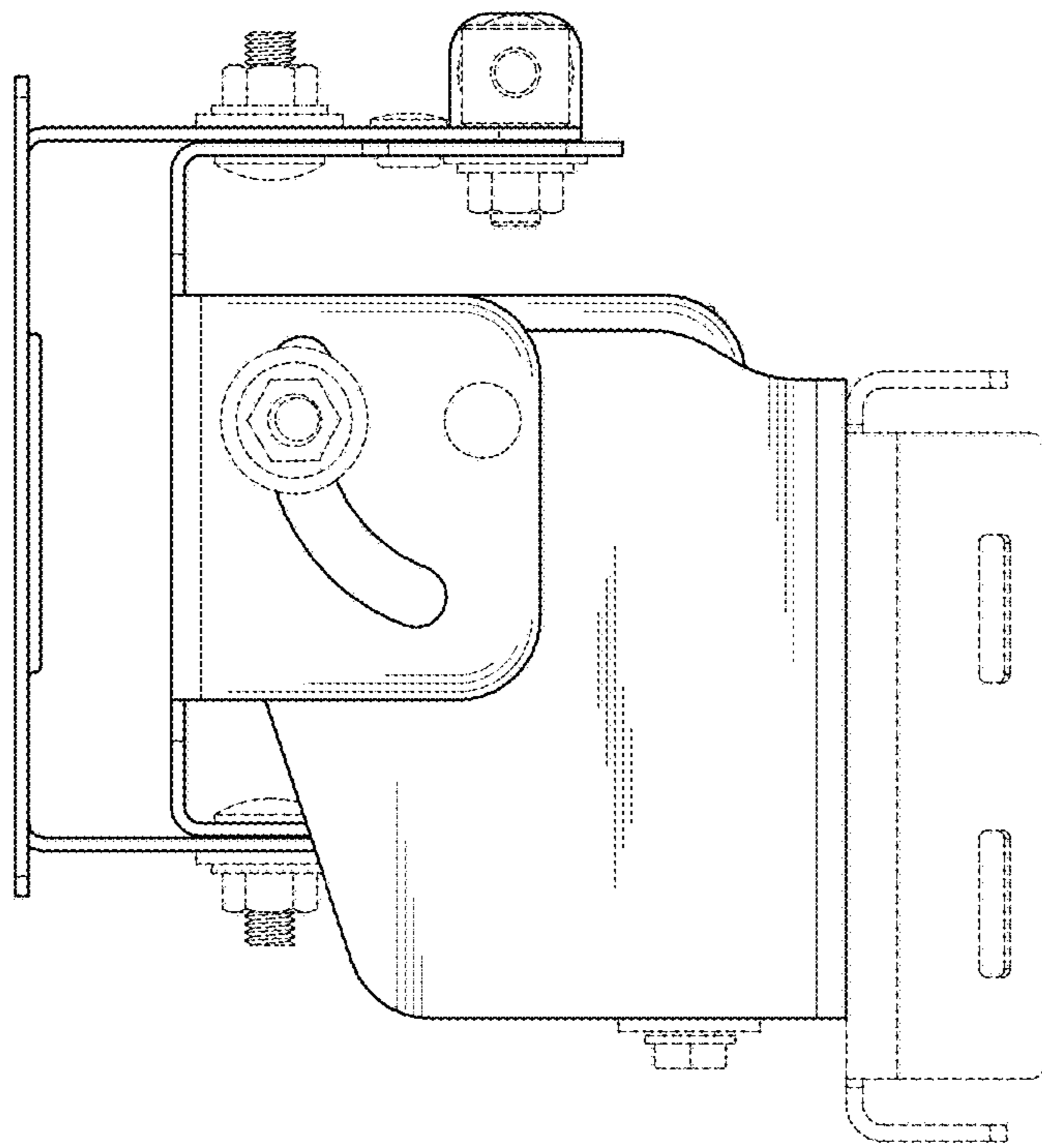


FIG. 12

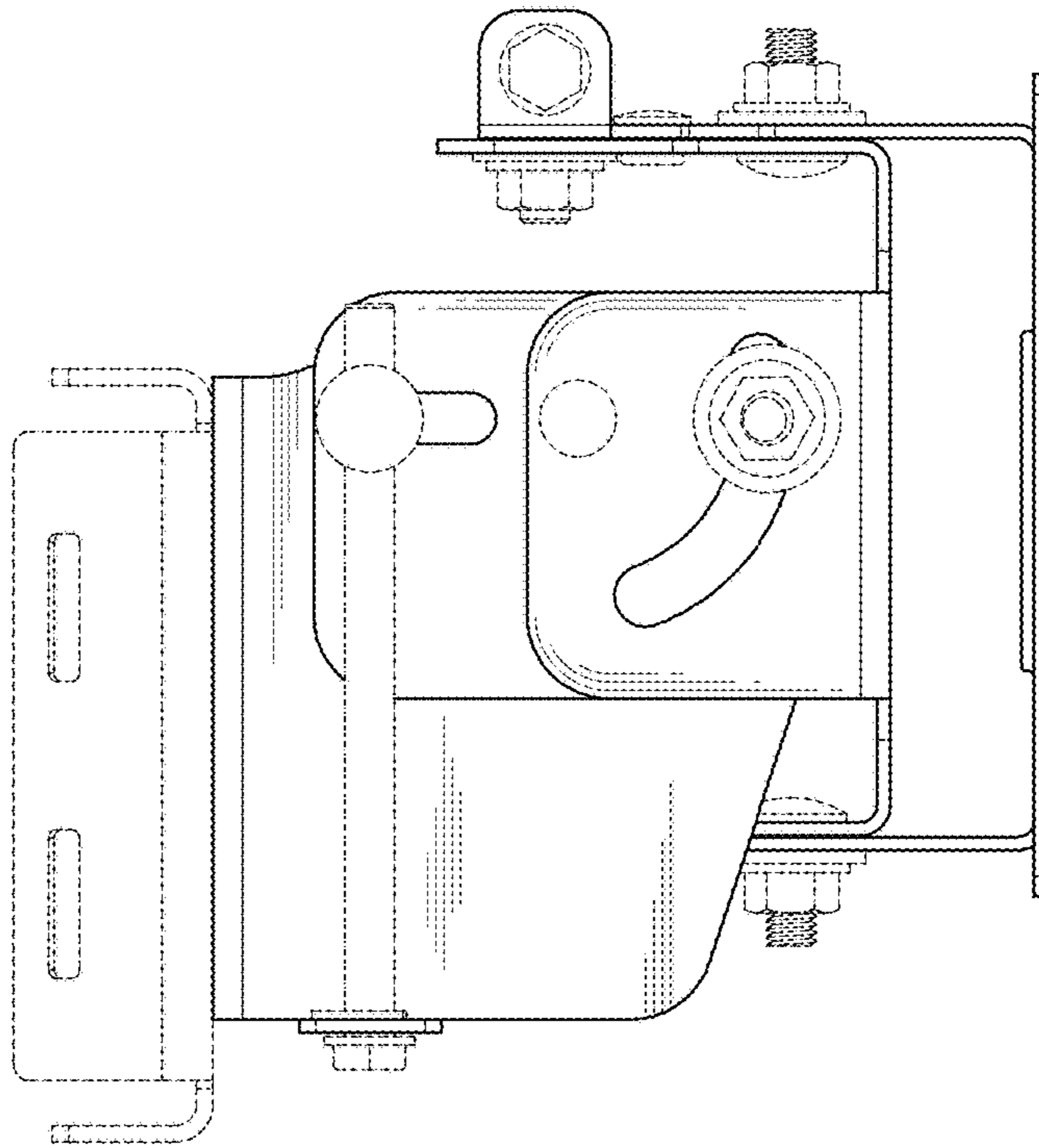


FIG. 13

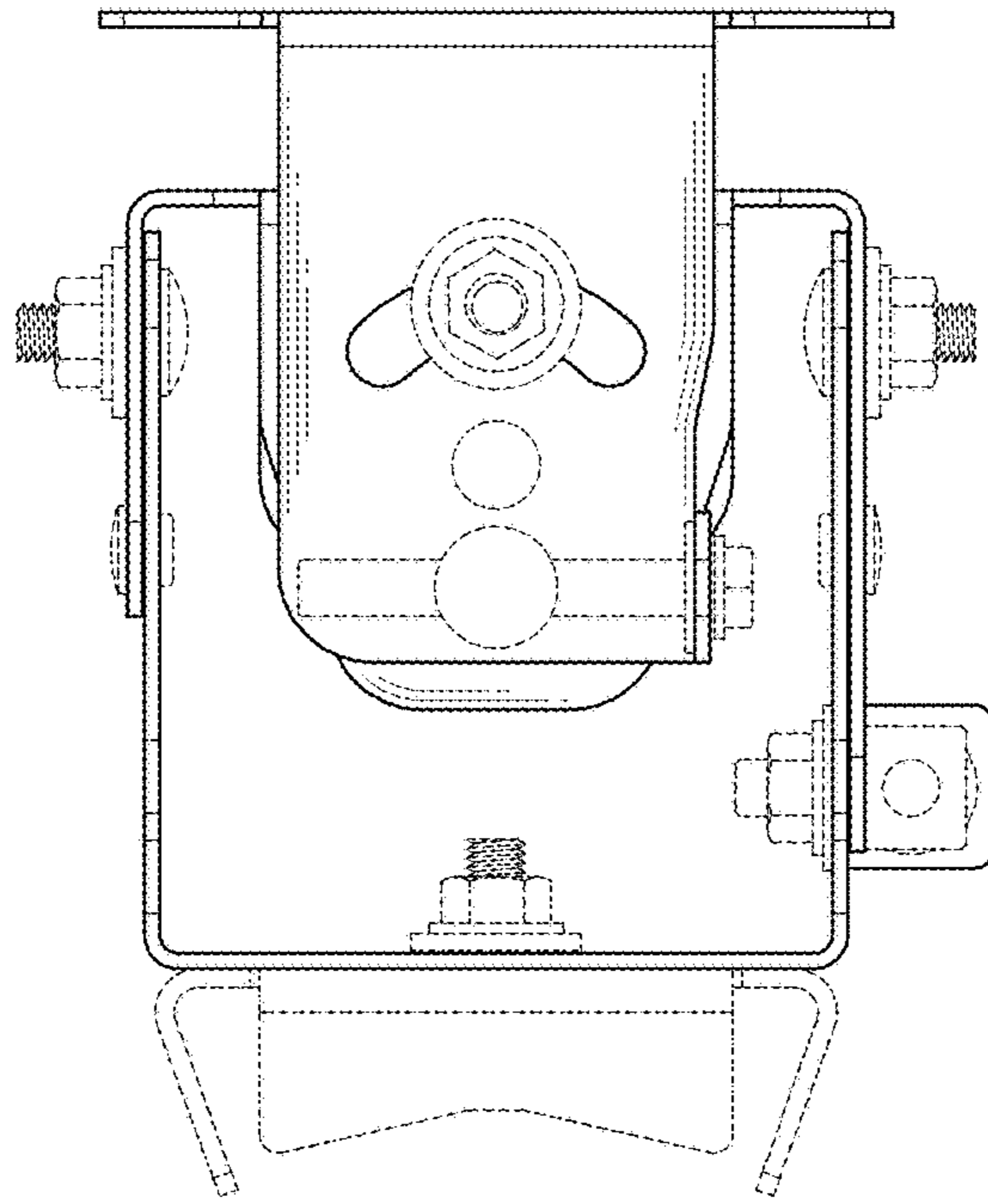


FIG. 14

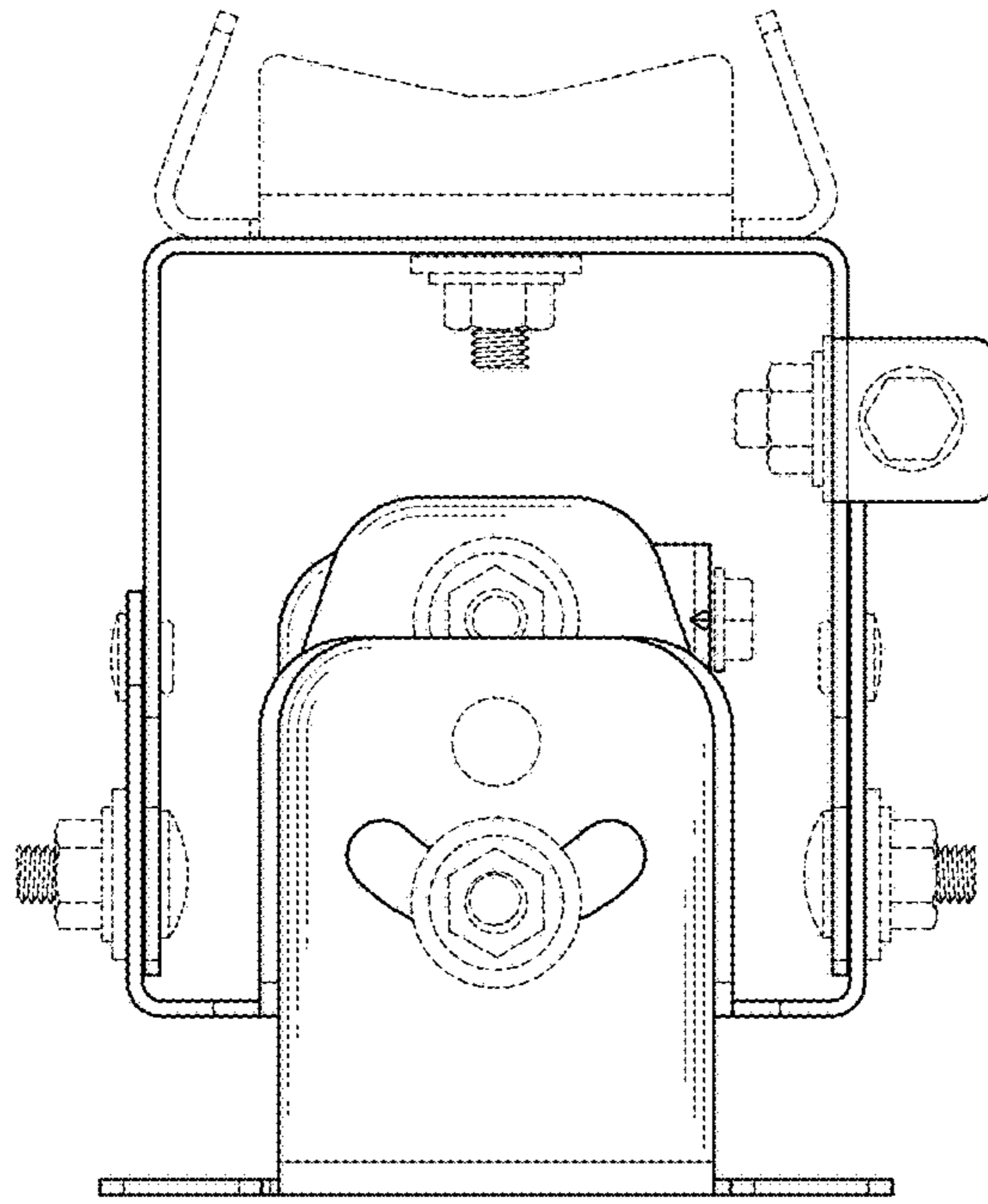


FIG. 15

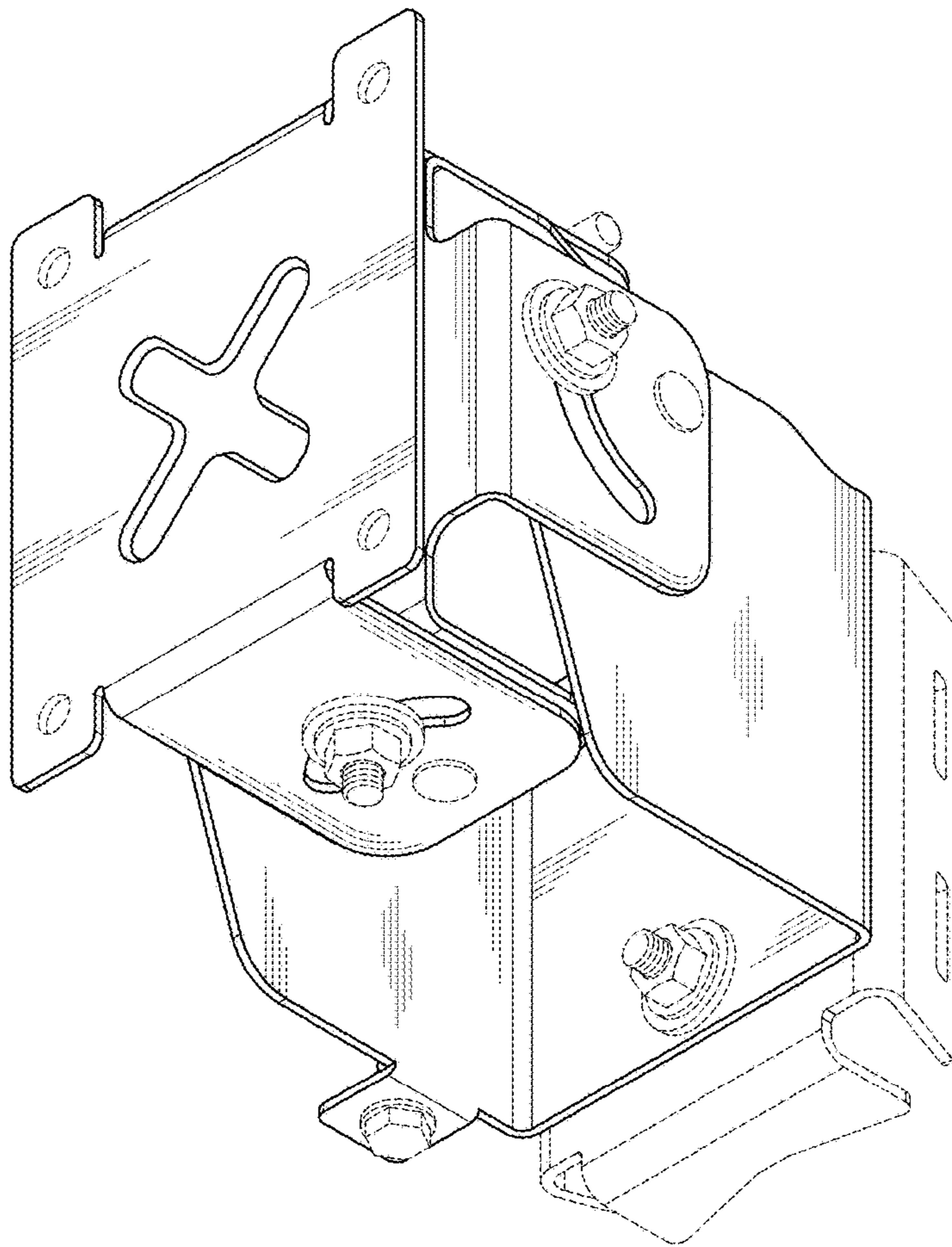


FIG. 16