



US00D859419S

(12) **United States Design Patent**  
**Cover**

(10) **Patent No.:** **US D859,419 S**

(45) **Date of Patent:** **\*\* Sep. 10, 2019**

(54) **BASE FOR REMOTE CONTROL SWITCH**

(71) Applicant: **Advanced Accessory Concepts LLC**,  
Corona, CA (US)

(72) Inventor: **Scott Cover**, Fullerton, CA (US)

(73) Assignee: **Advanced Accessory Concepts LLC**,  
Corona, CA (US)

(\*\*) Term: **15 Years**

(21) Appl. No.: **29/636,165**

(22) Filed: **Feb. 6, 2018**

(51) **LOC (12) Cl.** ..... **08-07**

(52) **U.S. Cl.**  
USPC ..... **D14/447; D14/218**

(58) **Field of Classification Search**  
USPC ..... D14/447, 432, 434, 439, 440, 451, 452,  
D14/457, 239, 218; D8/363, 373, 380;  
D6/406.3, 406.4, 406.5, 406.6; D12/415;  
D21/330, 331; D13/168

CPC ..... A47B 21/04; A47B 2097/006; A47B  
2097/005; A47B 2023/049; A45C  
2011/002; A45C 2011/003; F16M  
2200/00; F16M 13/00

See application file for complete search history.

(56) **References Cited**

**U.S. PATENT DOCUMENTS**

D552,615 S \* 10/2007 Kuroiwa ..... D14/447  
D641,713 S \* 7/2011 Petrillo ..... D13/168  
D655,254 S \* 3/2012 Jacoby ..... D13/168  
D670,658 S \* 11/2012 Iliffe-Moon ..... D13/168

D689,058 S \* 9/2013 Waterman ..... D14/447  
D710,330 S \* 8/2014 Miller ..... D14/218  
D732,046 S \* 6/2015 Lee ..... D14/447  
D751,563 S \* 3/2016 Wengreen ..... D14/447  
D798,304 S \* 9/2017 Sung ..... D14/447  
D801,344 S \* 10/2017 Zurschmiede ..... D14/447  
D829,724 S \* 10/2018 Chun ..... D14/447  
D832,858 S \* 11/2018 Wengreen ..... D14/447  
D833,971 S \* 11/2018 Yun ..... D13/108

\* cited by examiner

*Primary Examiner* — Angela J Lee

(74) *Attorney, Agent, or Firm* — Klein, O'Neill & Singh,  
LLP

(57) **CLAIM**

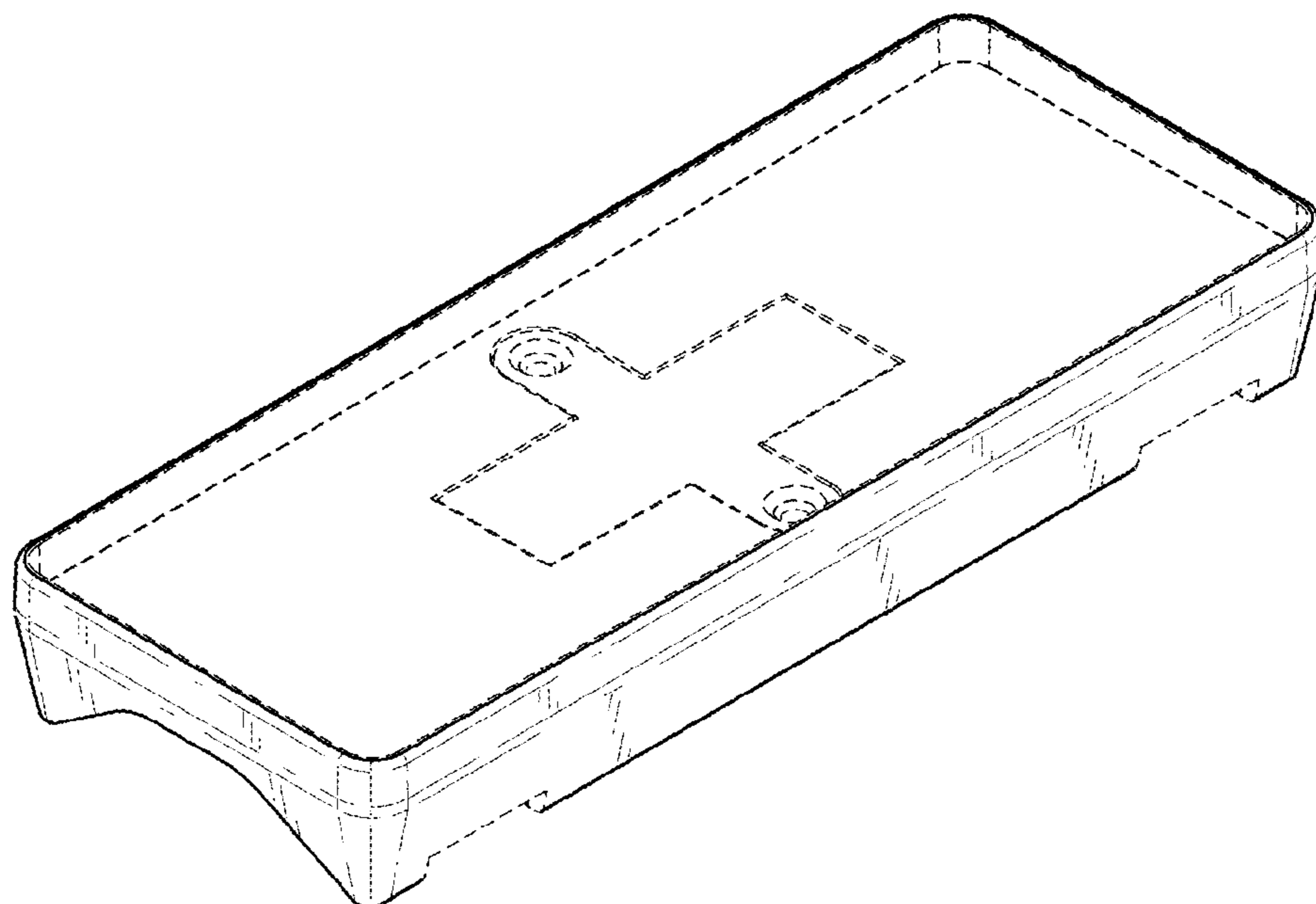
The ornamental design for a base for remote control switch,  
as shown and described.

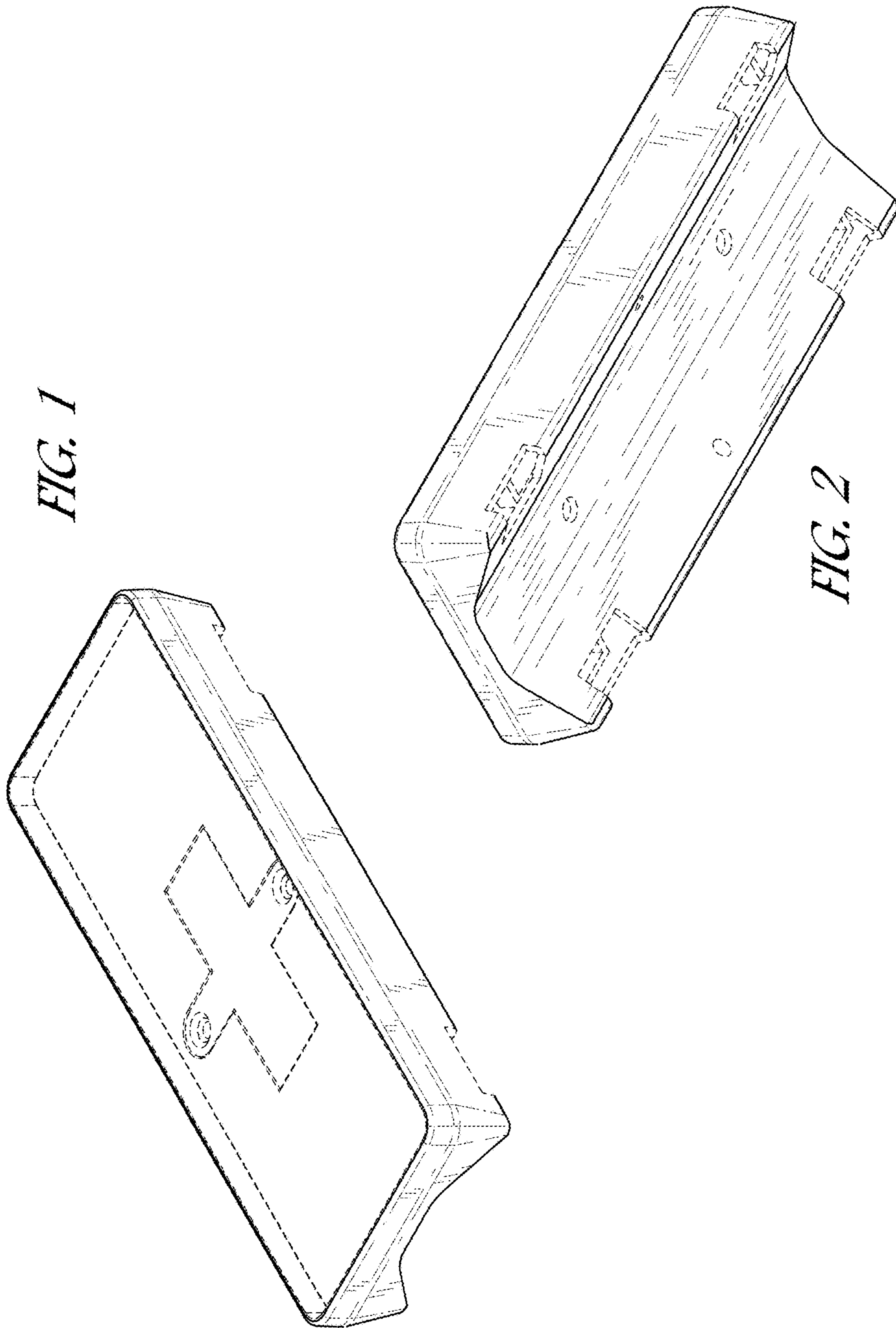
**DESCRIPTION**

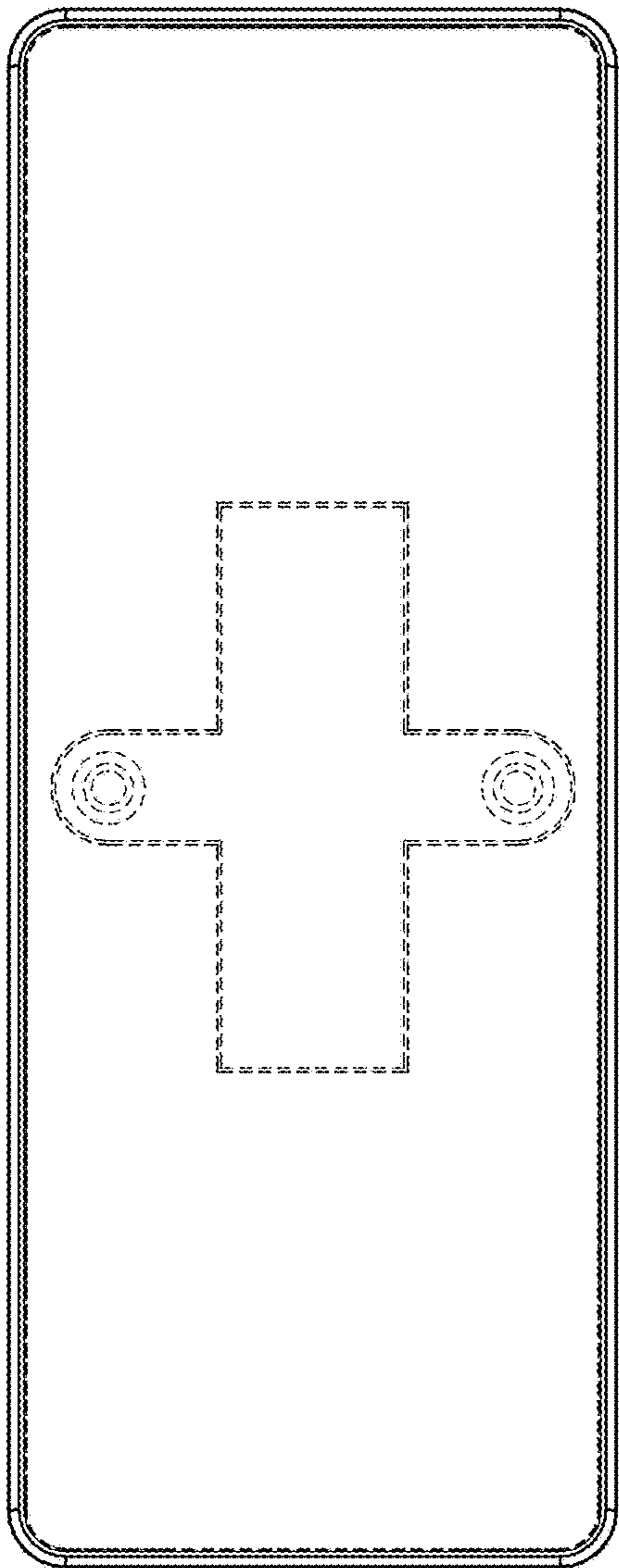
FIG. 1 is a perspective view of a base for remote control  
switch, showing my new design;  
FIG. 2 is an alternate perspective view thereof;  
FIG. 3 is a top plan view thereof;  
FIG. 4 is a bottom plan view thereof;  
FIG. 5 is a front elevation view thereof;  
FIG. 6 is a rear elevation view thereof;  
FIG. 7 is a right side elevation view thereof; and,  
FIG. 8 is a left side elevation view thereof.

The broken lines in the drawings illustrate portions of the  
base for remote control switch and its environmental inter-  
face that do not form part of the claimed design.

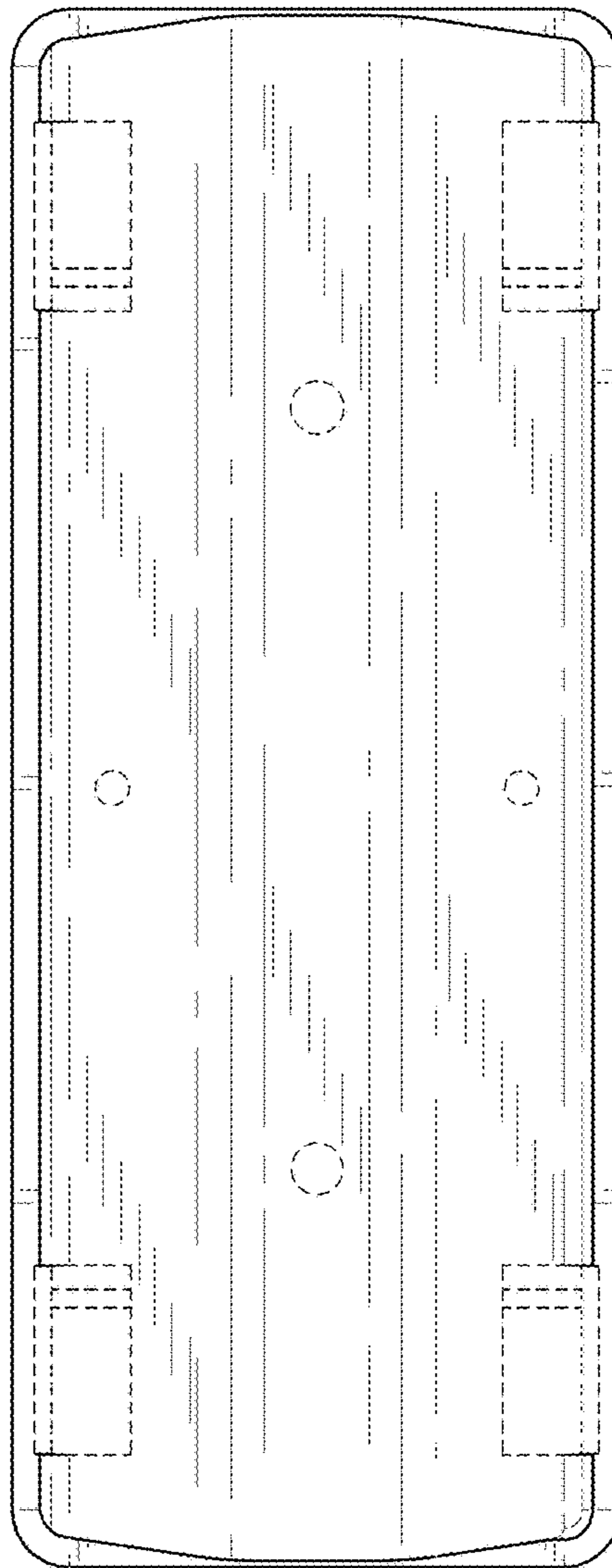
**1 Claim, 4 Drawing Sheets**



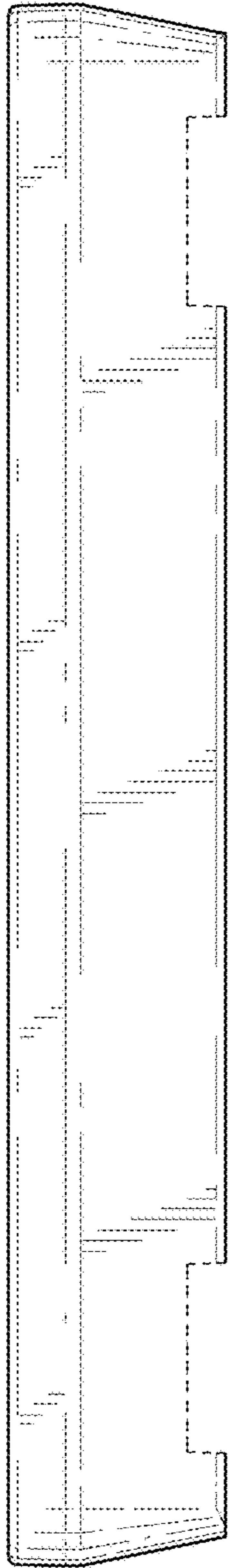




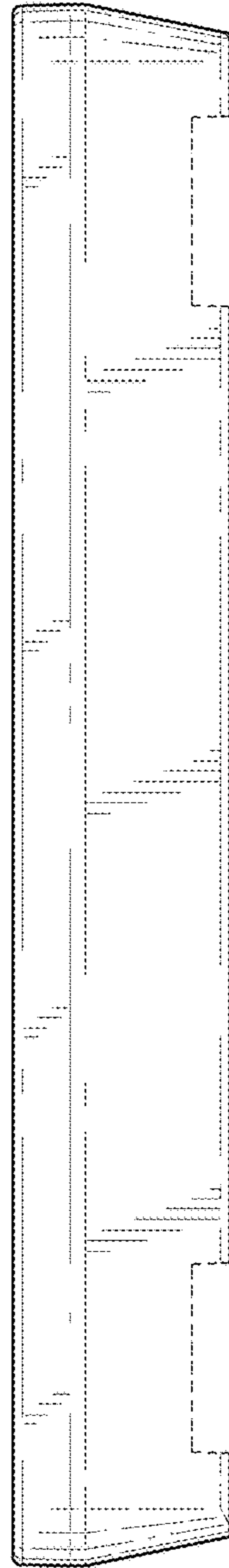
*FIG. 3*



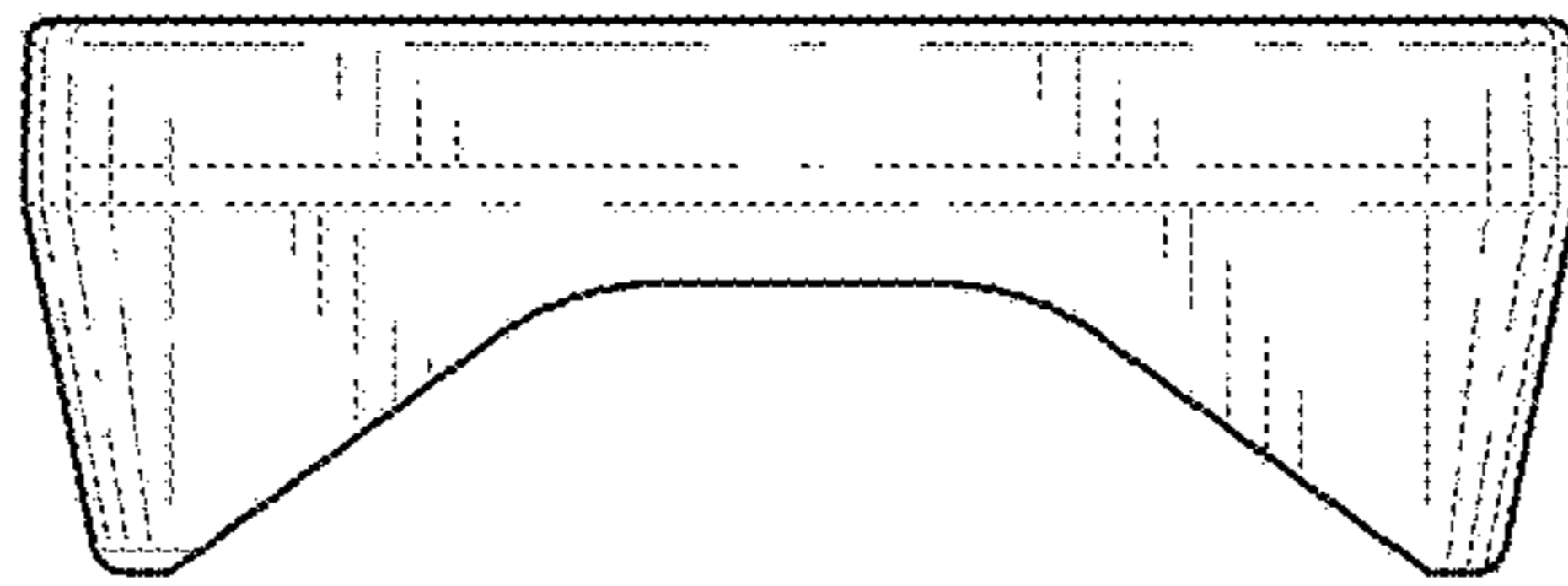
*FIG. 4*



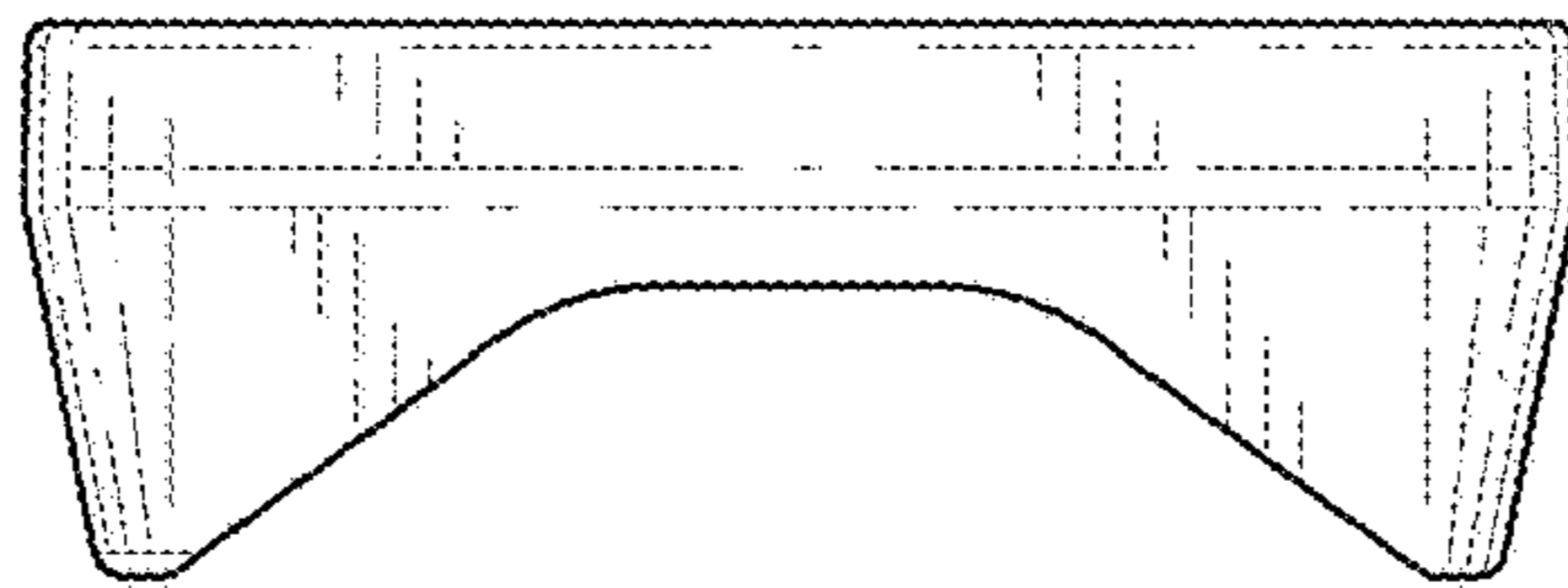
*FIG. 5*



*FIG. 6*



*FIG. 7*



*FIG. 8*