



US00D859418S

(12) **United States Design Patent** (10) **Patent No.:** **US D859,418 S**
Baird et al. (45) **Date of Patent:** **** Sep. 10, 2019**

(54) **TABLET MOUNT**
(71) Applicant: **American Well Corporation**, Boston, MA (US)
(72) Inventors: **Michael Baird**, Reston, VA (US); **Aashish Bapat**, Arlington, VA (US); **Robert Andrew Carlton**, Alexandria, VA (US); **Cory Costley**, Reston, VA (US); **Darin Janoschka**, Ashburn, VA (US)
(73) Assignee: **American Well Corporation**, Boston, MA (US)
(**) Term: **15 Years**
(21) Appl. No.: **29/593,645**
(22) Filed: **Feb. 10, 2017**
(51) **LOC (12) Cl.** **08-07**
(52) **U.S. Cl.**
USPC **D14/447**
(58) **Field of Classification Search**
USPC D14/447, 432, 434, 439, 440, 451, 452, D14/457, 239; D8/363, 373, 380; D6/406.3, 406.4, 406.5, 406.6; D12/415
CPC A47B 21/04; A47B 2097/006; A47B 2097/005; A47B 2023/049; A45C 2011/002; A45C 2011/003; F16M 2200/00; F16M 13/00
See application file for complete search history.

(56) **References Cited**
U.S. PATENT DOCUMENTS
6,644,611 B1 * 11/2003 Tai F16C 11/10 248/292.13
D565,980 S * 4/2008 Reeson D10/74
D602,938 S * 10/2009 Ward D14/434
D662,502 S * 6/2012 Wesolek D14/434
D741,146 S * 10/2015 Delrue D14/447

D751,431 S * 3/2016 Browning D10/74
D778,283 S * 2/2017 Tsai D14/447
D795,265 S * 8/2017 Li D14/447
D797,750 S * 9/2017 Wengreen D14/447
D804,487 S * 12/2017 Theis D14/447
D822,379 S * 7/2018 Li D3/218
D834,583 S * 11/2018 Janzen D14/447

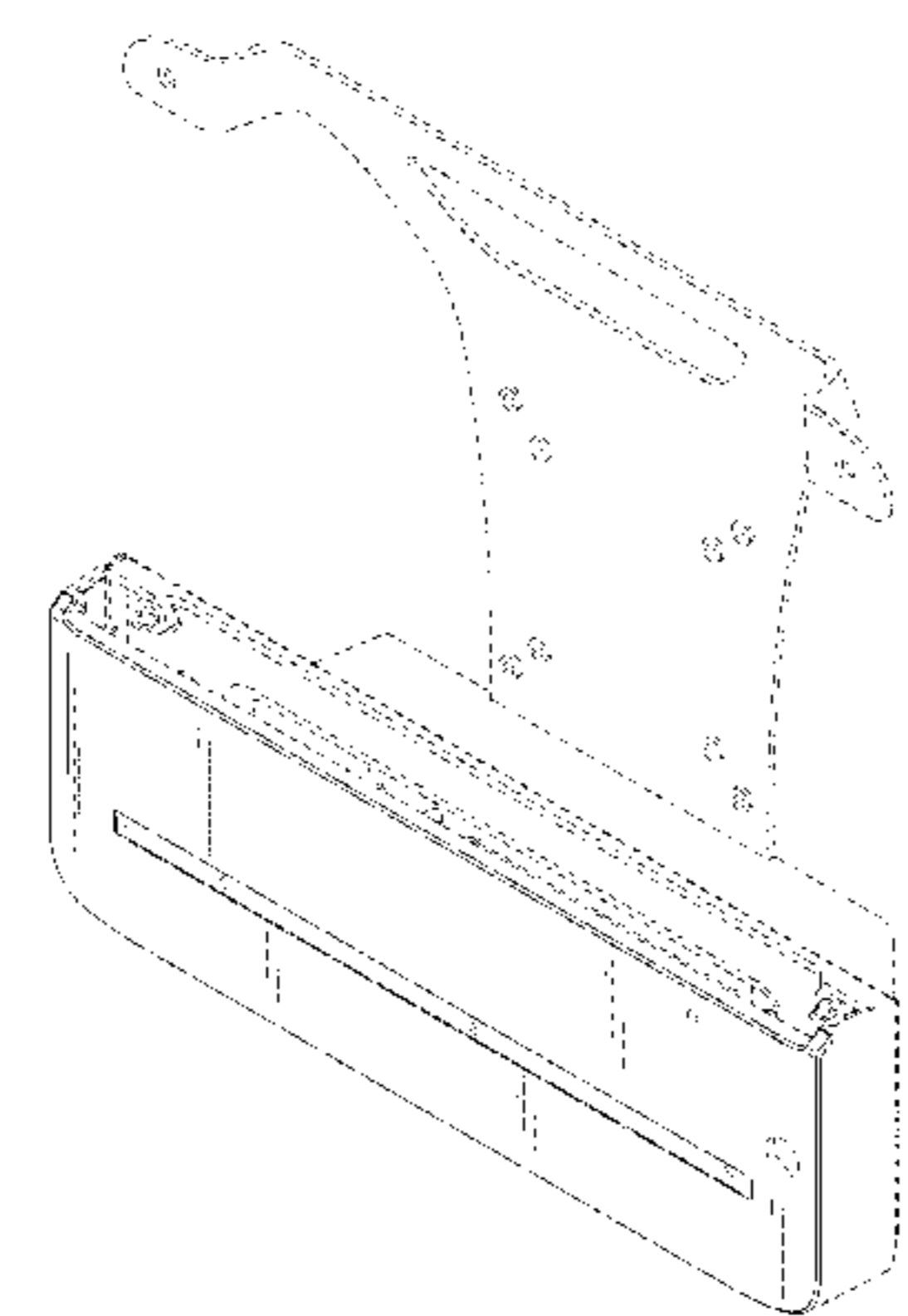
* cited by examiner
Primary Examiner — Angela J Lee
(74) *Attorney, Agent, or Firm* — Cooley LLP

(57) **CLAIM**
The ornamental design for a tablet mount, as shown and described.

DESCRIPTION
FIG. 1 is a front left perspective view of a tablet mount according to an embodiment;
FIG. 2 is a rear left perspective view of the tablet mount illustrated in FIG. 1;
FIG. 3 is a front view of the tablet mount illustrated in FIG. 1;
FIG. 4 is a rear view of the tablet mount illustrated in FIG. 1;
FIG. 5 is a right side view of the tablet mount illustrated in FIG. 1;
FIG. 6 is a left side view of the tablet mount illustrated in FIG. 1;
FIG. 7 is a top view of the tablet mount illustrated in FIG. 1; and,
FIG. 8 is a bottom view of the tablet mount illustrated in FIG. 1.

The portion of the article depicted in broken lines is for illustrative purposes only and forms no part of the claimed design. In addition, the dot-dash boundary lines define the bounds of the claimed design and form no part of the claimed design; and the thin solid lines illustrate contour and form no part of the claimed design.

1 Claim, 8 Drawing Sheets



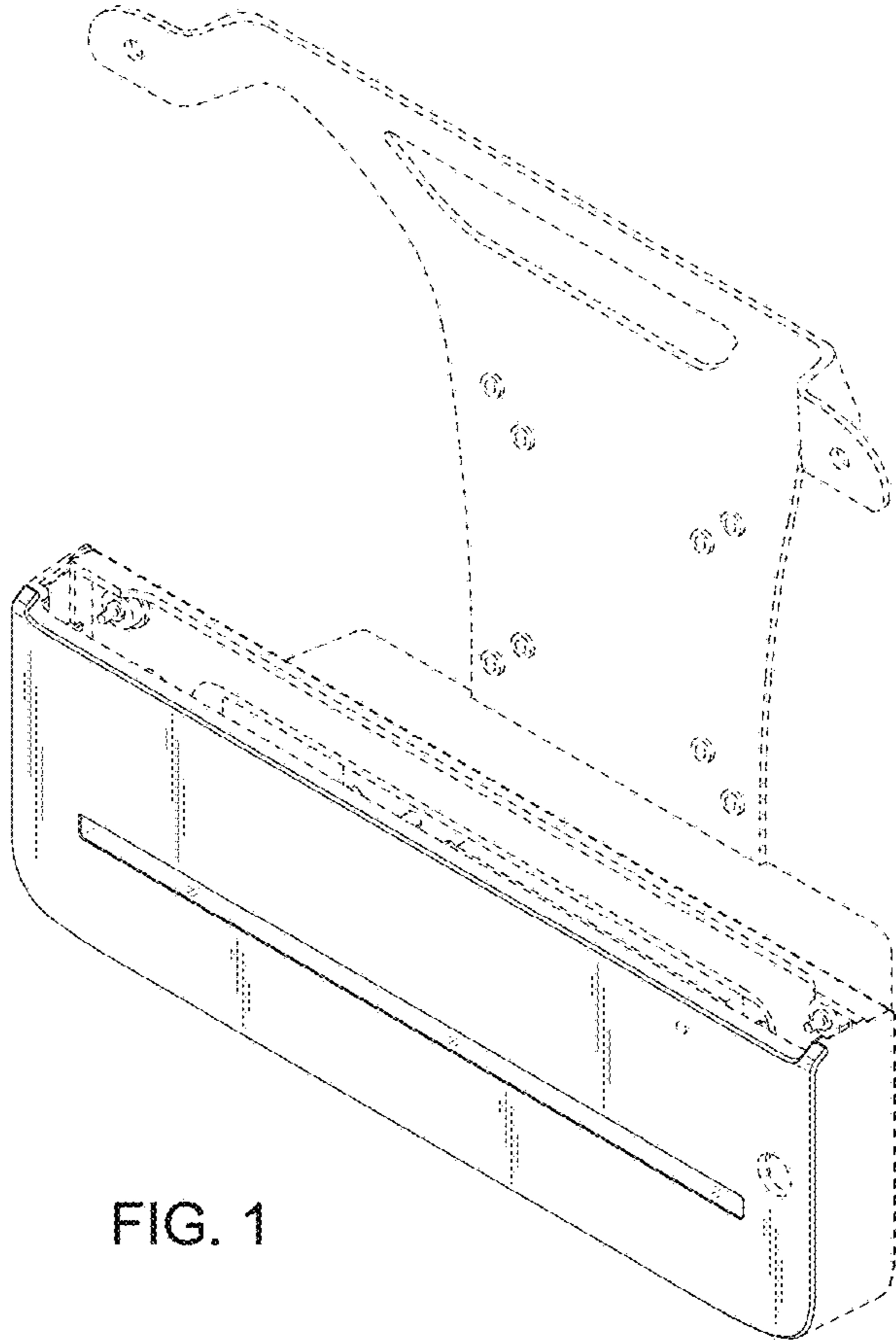


FIG. 1

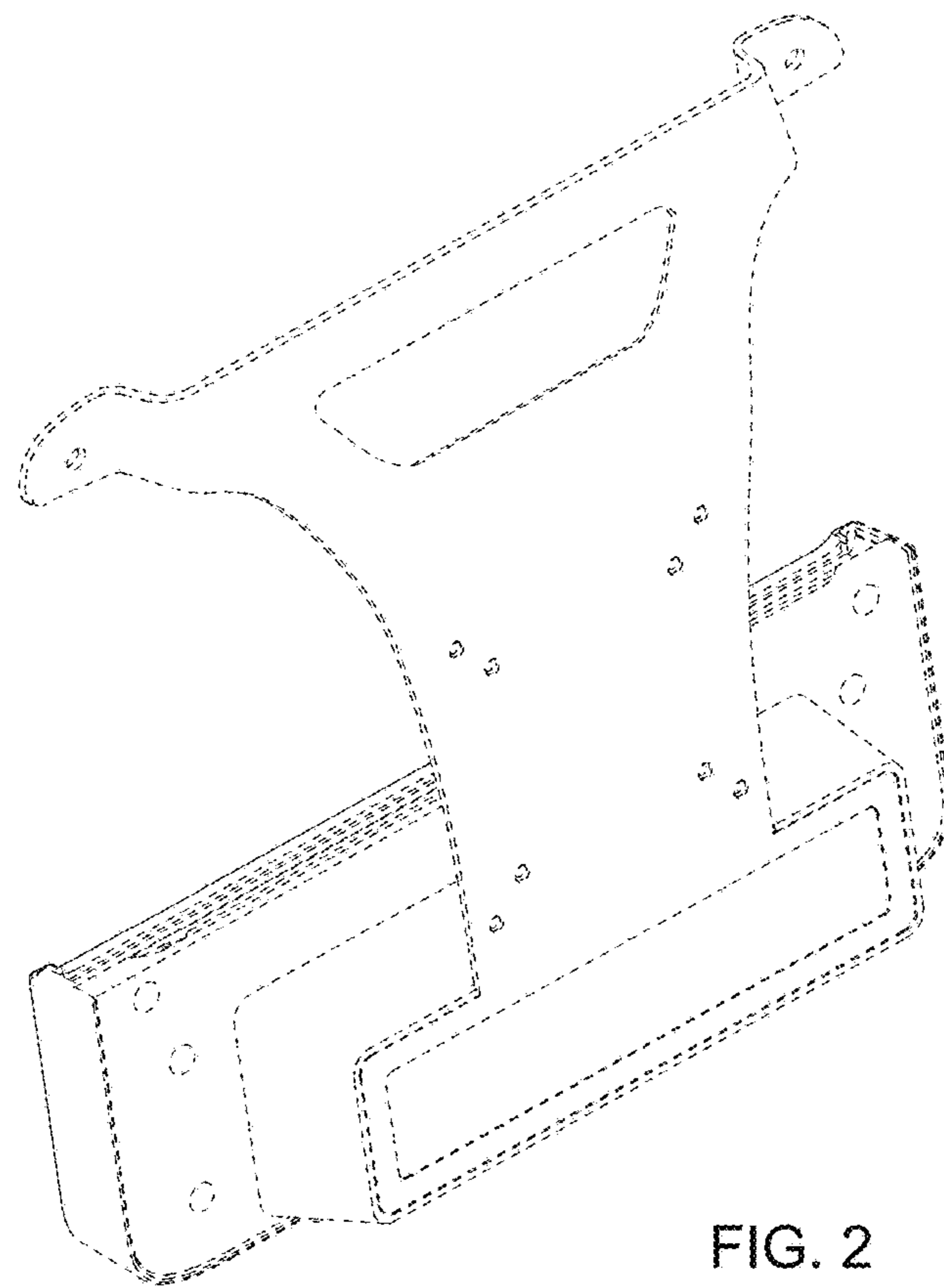


FIG. 2

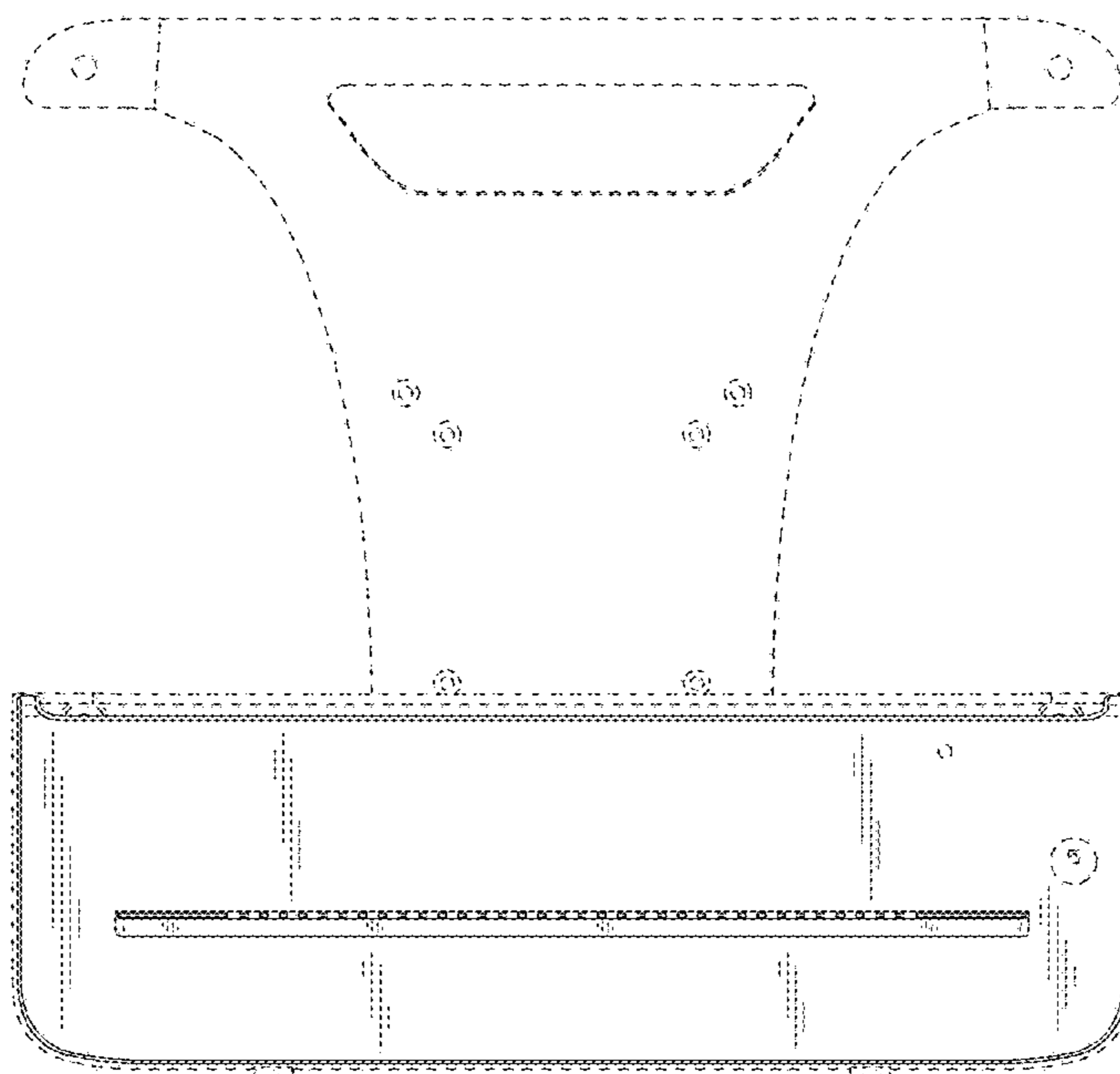


FIG. 3

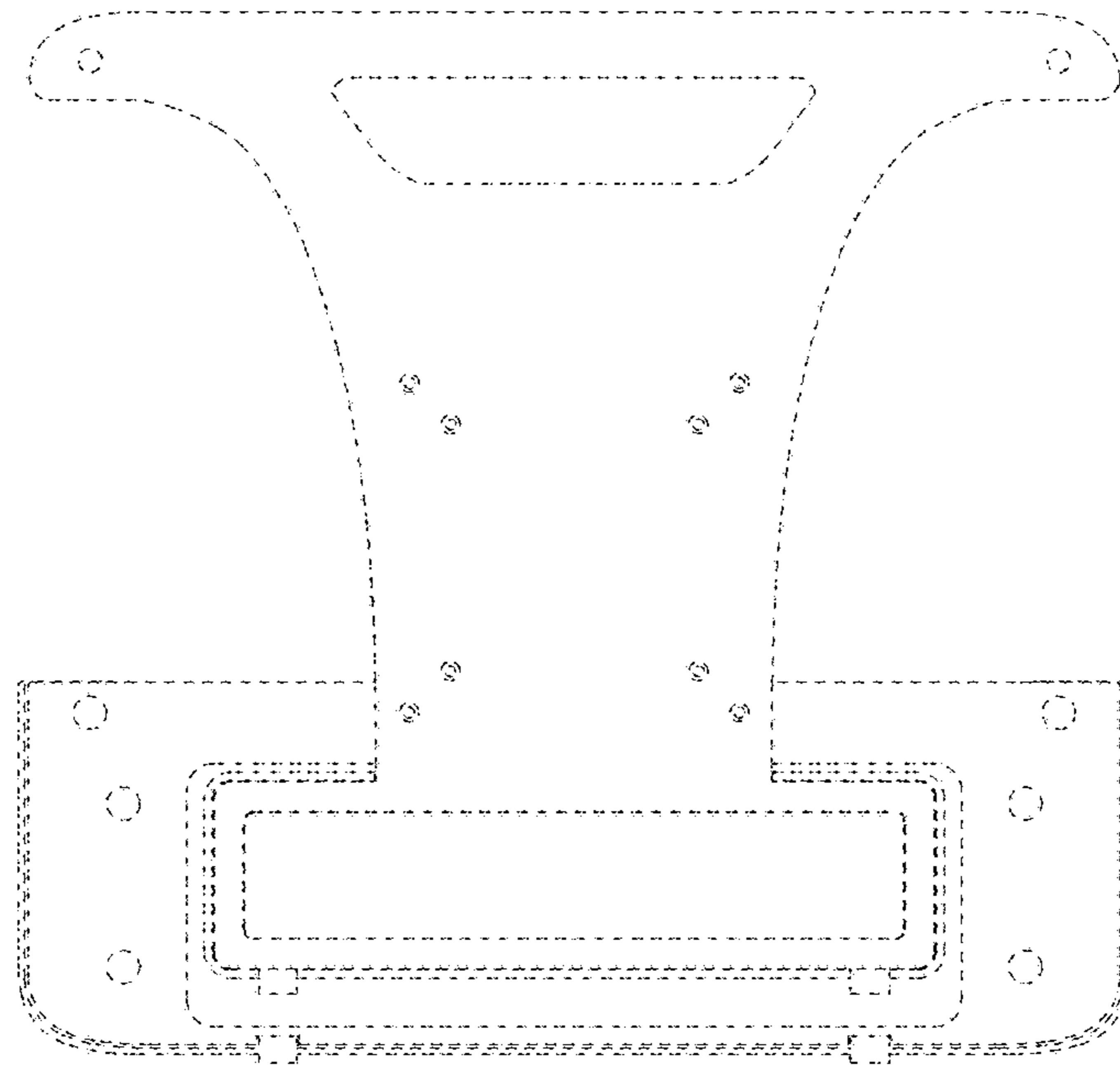


FIG. 4

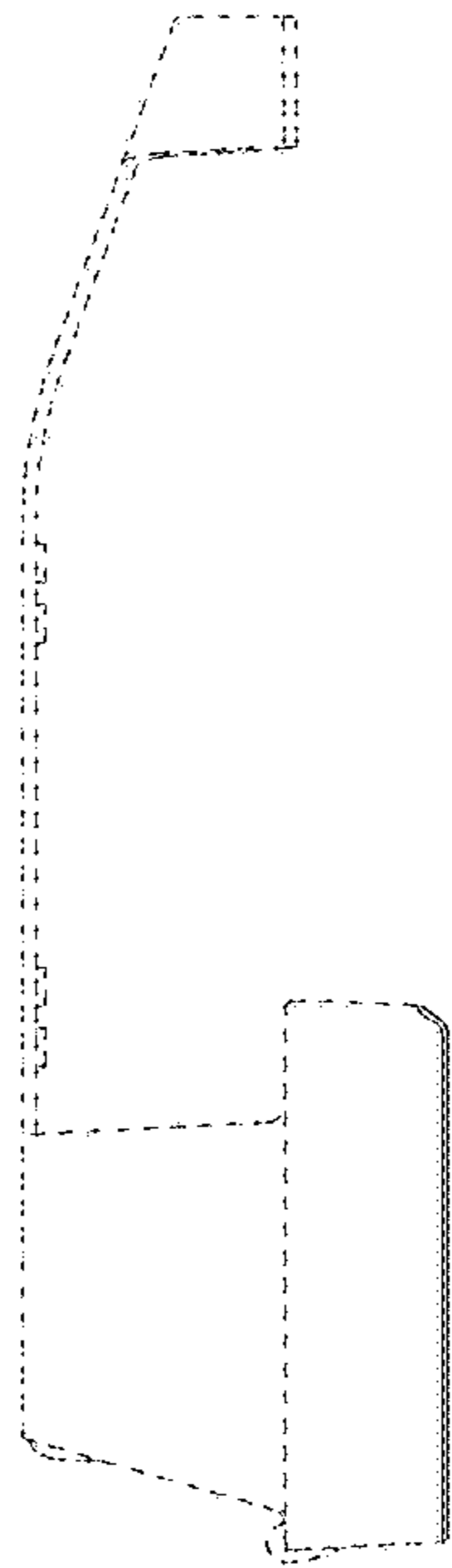


FIG. 5

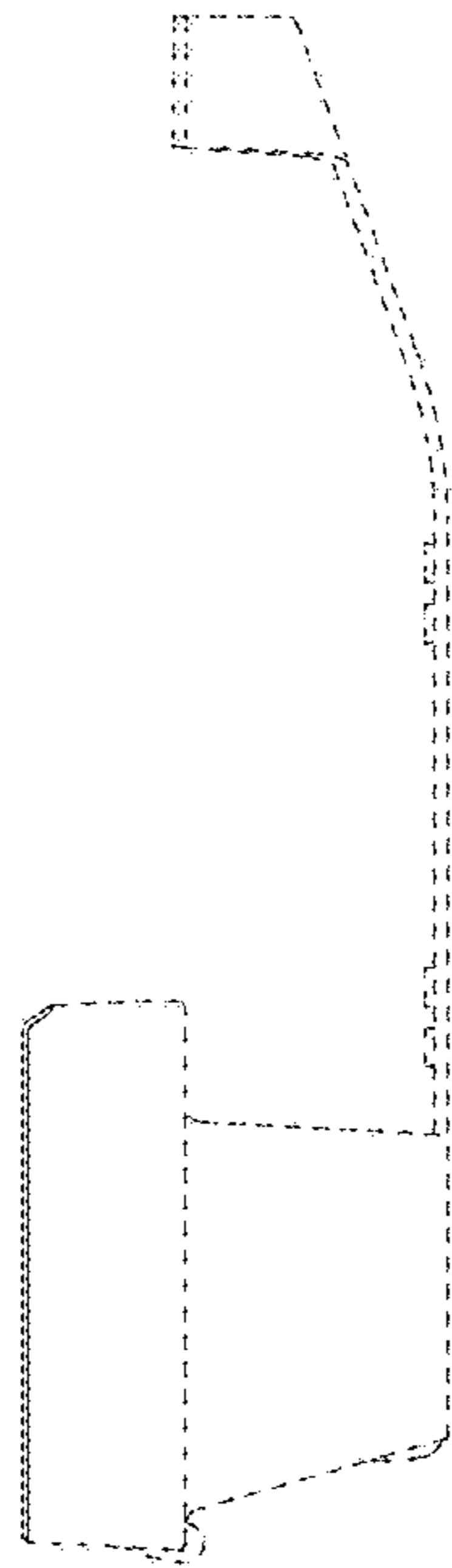


FIG. 6

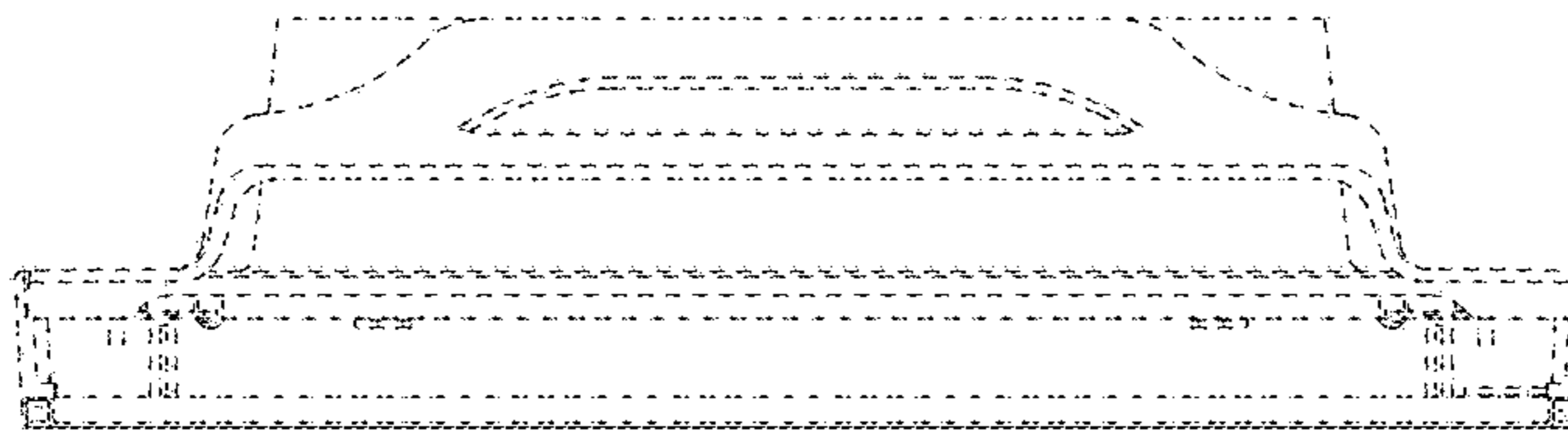


FIG. 7



FIG. 8