



US00D859417S

(12) **United States Design Patent** (10) **Patent No.:** **US D859,417 S**
Kim (45) **Date of Patent:** **** *Sep. 10, 2019**

(54) **STAND FOR ELECTRONIC DEVICES**

(71) Applicant: **SPIGEN KOREA CO., LTD.**, Seoul (KR)

(72) Inventor: **Dae-Young Kim**, Seoul (KR)

(73) Assignee: **SPIGEN KOREA CO., LTD.**, Seoul (KR)

(*) Notice: This patent is subject to a terminal disclaimer.

(**) Term: **15 Years**

(21) Appl. No.: **29/545,824**

(22) Filed: **Nov. 16, 2015**

Related U.S. Application Data

(63) Continuation of application No. 29/536,847, filed on Aug. 19, 2015, now Pat. No. Des. 782,488.

(51) **LOC (12) Cl.** **08-07**

(52) **U.S. Cl.**
USPC **D14/447**

(58) **Field of Classification Search**
USPC D14/447, 432, 434, 439, 440, 451, 452, D14/457, 239; D8/363, 373, 380, 406.3, D8/406.4, 406.5, 406.6; D12/415
(Continued)

(56) **References Cited**

U.S. PATENT DOCUMENTS

D737,264 S * 8/2015 Shamsadov D14/251
9,179,565 B2 11/2015 Cho
(Continued)

FOREIGN PATENT DOCUMENTS

KR 30-0674054 12/2012
KR 10-1316363 10/2013
(Continued)

OTHER PUBLICATIONS

“iRing Universal Masstige Ring Grip/Stand Holder for any Smart Device—Black,” http://www.amazon.com/iRing-Universal-Masstige-Holder-Device/dp/B00DUN9B9U/ref=cm_cr_ar_p_d_product_top?ie=UTF8, Downloaded Apr. 18, 2016, 7pages.

Primary Examiner — Angela J Lee

(74) *Attorney, Agent, or Firm* — Heedong Chae; Lucem, PC

(57) **CLAIM**

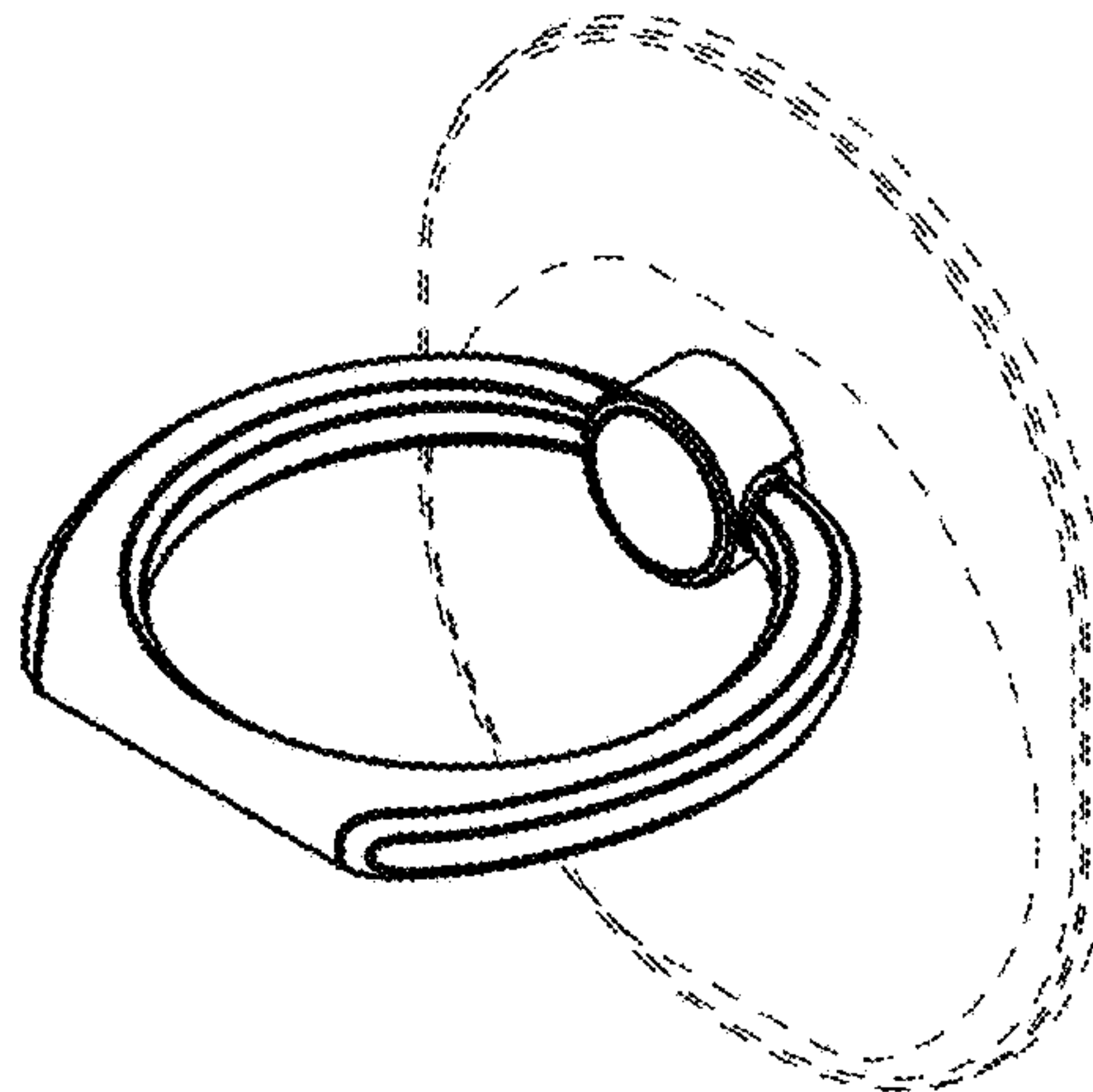
The ornamental design for a stand for an electronic device, as shown and described.

DESCRIPTION

FIG. 1 is a front perspective view of a stand for an electronic device showing my new design, the stand is comprised of a kickstand and a base and the base is attachable to a back side of an electronic device or a protective case;
FIG. 2 is a rear perspective view thereof;
FIG. 3 is a front elevational view thereof;
FIG. 4 is a rear elevational view thereof;
FIG. 5 is a left side elevational view thereof;
FIG. 6 is a right side elevational view thereof;
FIG. 7 is a top plan view thereof;
FIG. 8 is a bottom plan view thereof;
FIG. 9 is a front perspective view of the stand with the kickstand rotated;
FIG. 10 is a front perspective view of the stand with the kickstand in a closed position;
FIG. 11 is another front perspective view of the stand with the kickstand in a closed position;
FIG. 12 is a front perspective view of the stand illustrating the electronic device in broken lines; and,
FIG. 13 is a front perspective view of the stand with the kickstand in a closed position illustrating the electronic device in broken lines.

The broken line showing of environment is for illustrative purposes only and forms no part of the claimed design.

1 Claim, 13 Drawing Sheets



US D859,417 S

Page 2

(58) **Field of Classification Search**

CPC A47B 21/04; A47B 2097/006; A47B
2097/005; A47B 2023/049; A45C
2011/002; A45C 2011/003; F16M
2200/00; F16M 13/00

See application file for complete search history.

D825,572 S * 8/2018 Kim D14/447
D829,722 S * 10/2018 Kim D14/447
2001/0040202 A1 11/2001 Acams, IV
2013/0146625 A1* 6/2013 Karle A45F 5/00
224/217
2016/0134733 A1* 5/2016 Murphy A45F 5/00
455/575.6
2017/0055660 A1* 3/2017 Tien A45C 11/00
2017/0293207 A1* 10/2017 Jeon F16M 11/32

(56)

References Cited

U.S. PATENT DOCUMENTS

D748,639 S * 2/2016 Khodapanah D14/447
D749,083 S * 2/2016 Senoff D14/451
D752,054 S * 3/2016 Baumann D14/447
D756,366 S * 5/2016 Floersch D14/447
D765,662 S * 9/2016 Kang D14/251
D768,635 S * 10/2016 Due D14/432
D773,325 S * 12/2016 Browning D10/74
D782,488 S * 3/2017 Kim D14/447
D782,489 S * 3/2017 Kim D14/447

FOREIGN PATENT DOCUMENTS

KR 30-0718509 11/2013
KR 30-0718509 3/2014
KR 30-0775347 12/2014
KR 10-20140123649 1/2015
KR 20-0476134 1/2015
KR 20-0476134 2/2015
KR 30-0657929 8/2015

* cited by examiner

FIG. 1

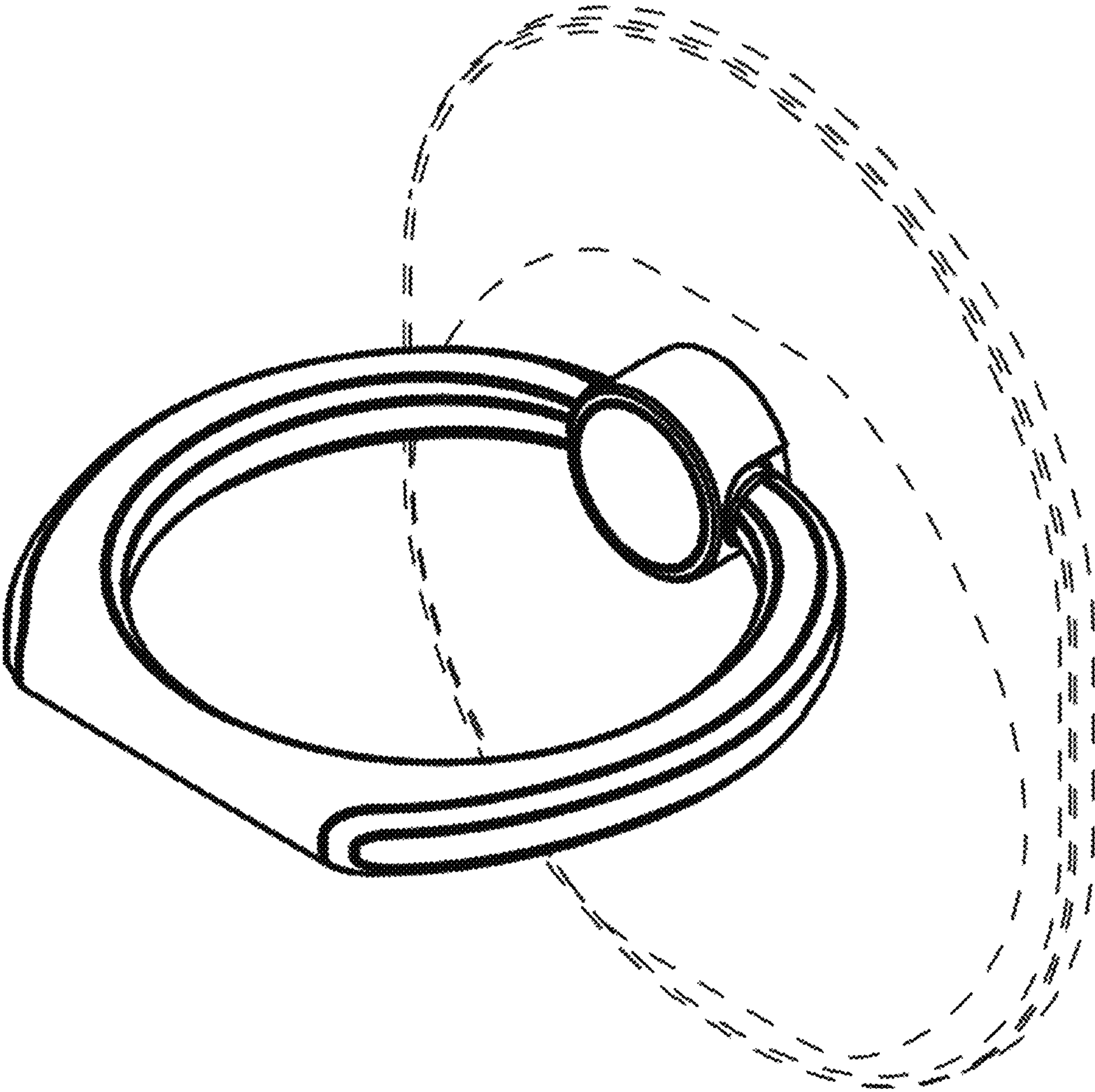


FIG. 2

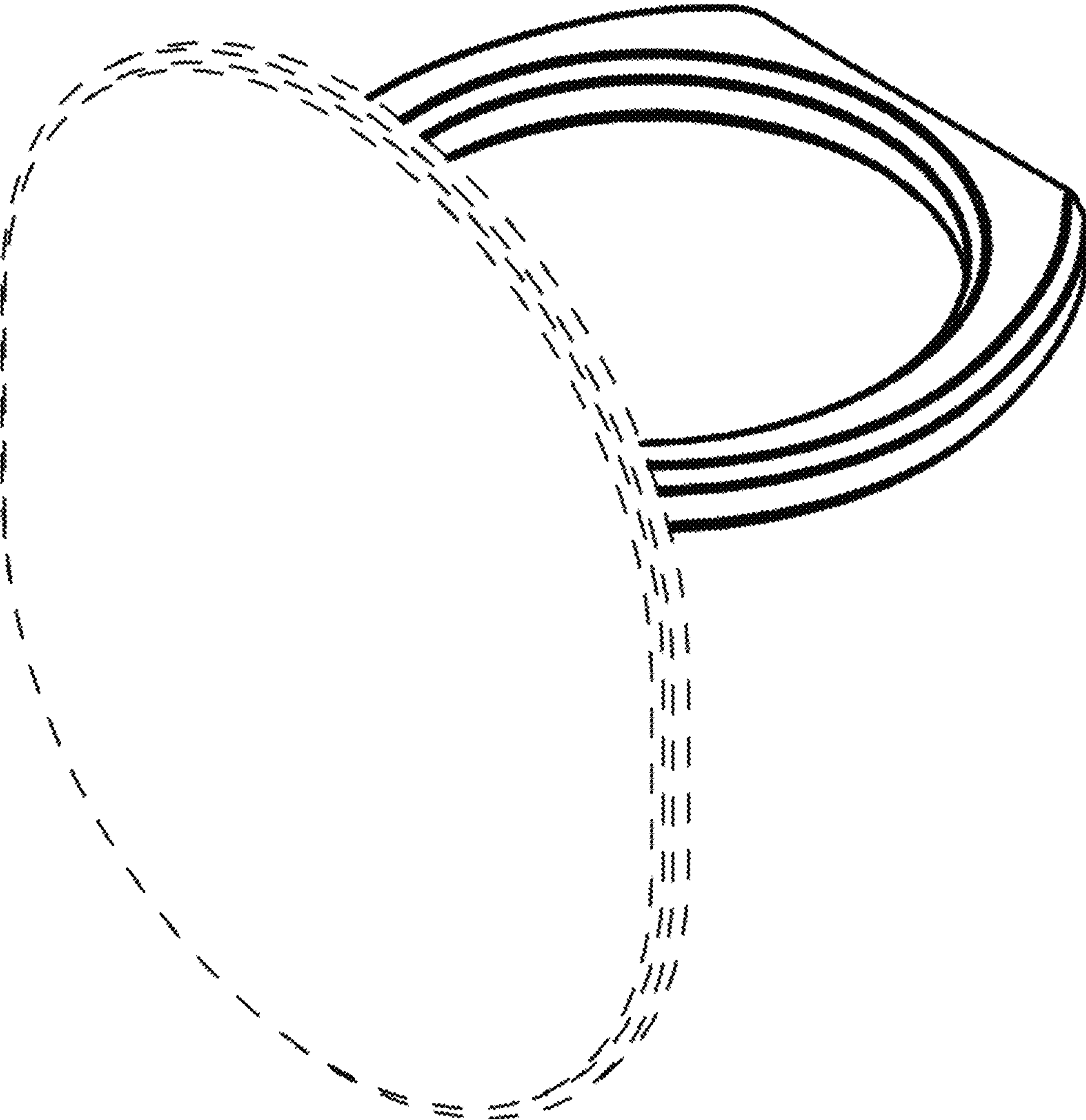


FIG. 3

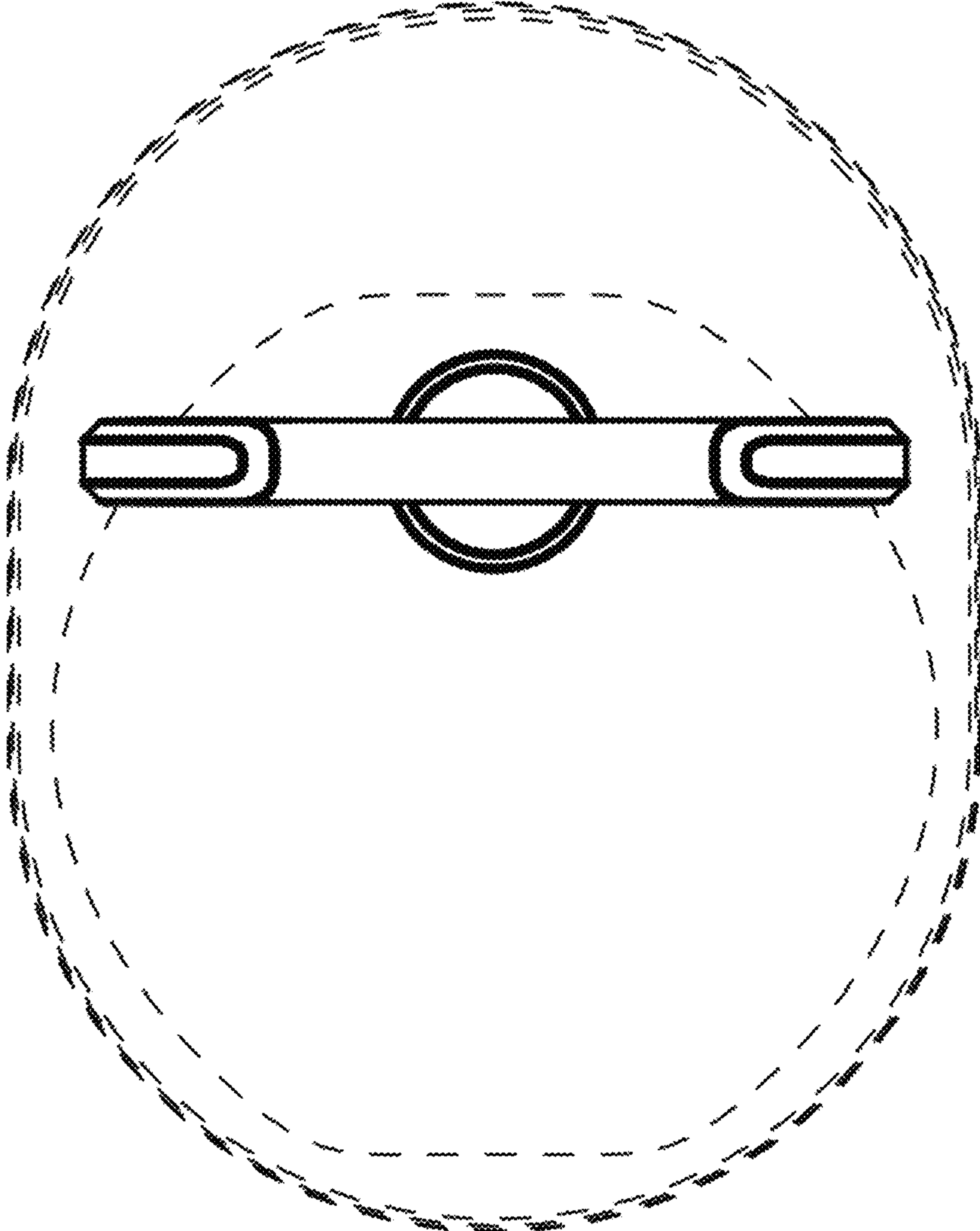


FIG. 4

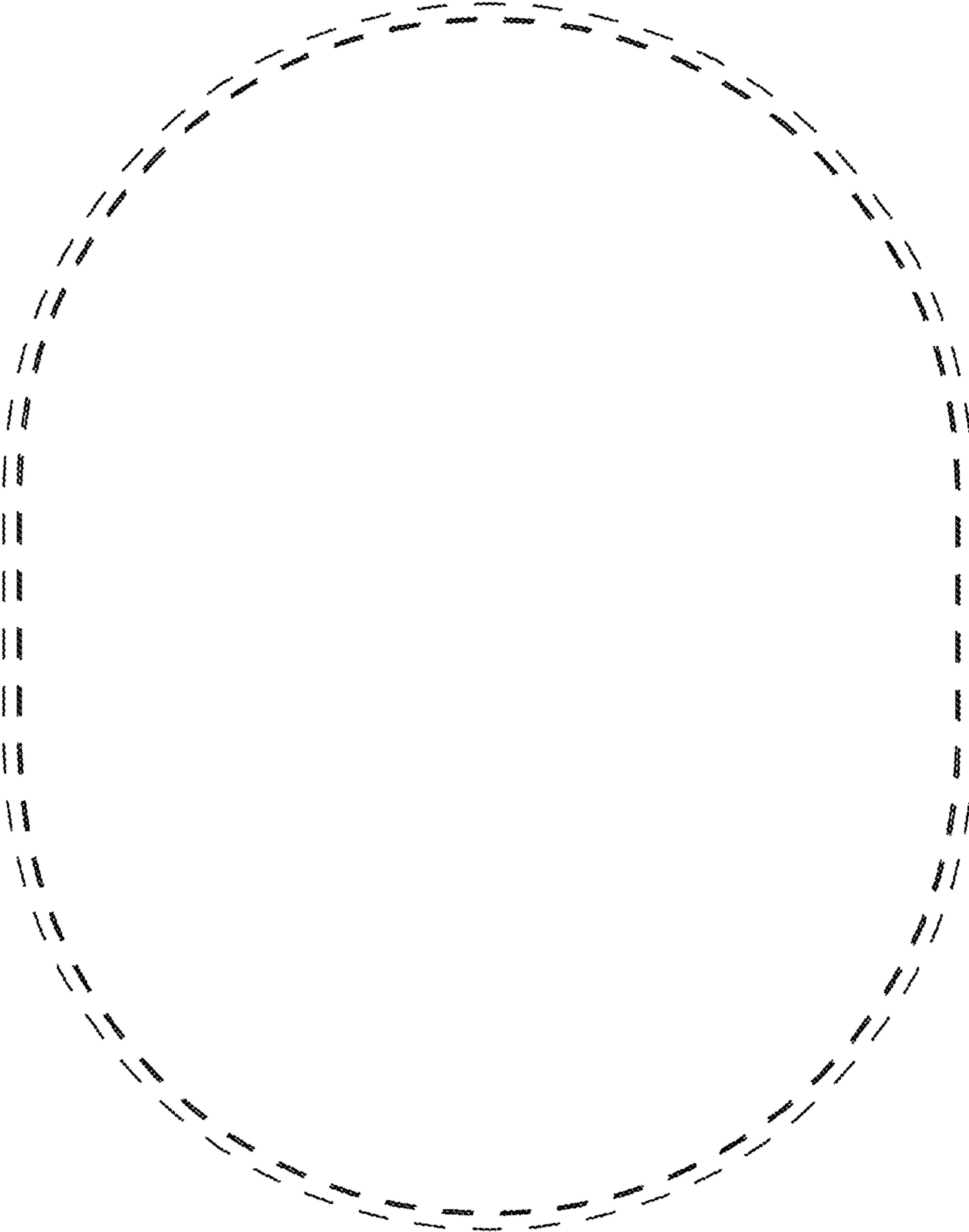


FIG. 5

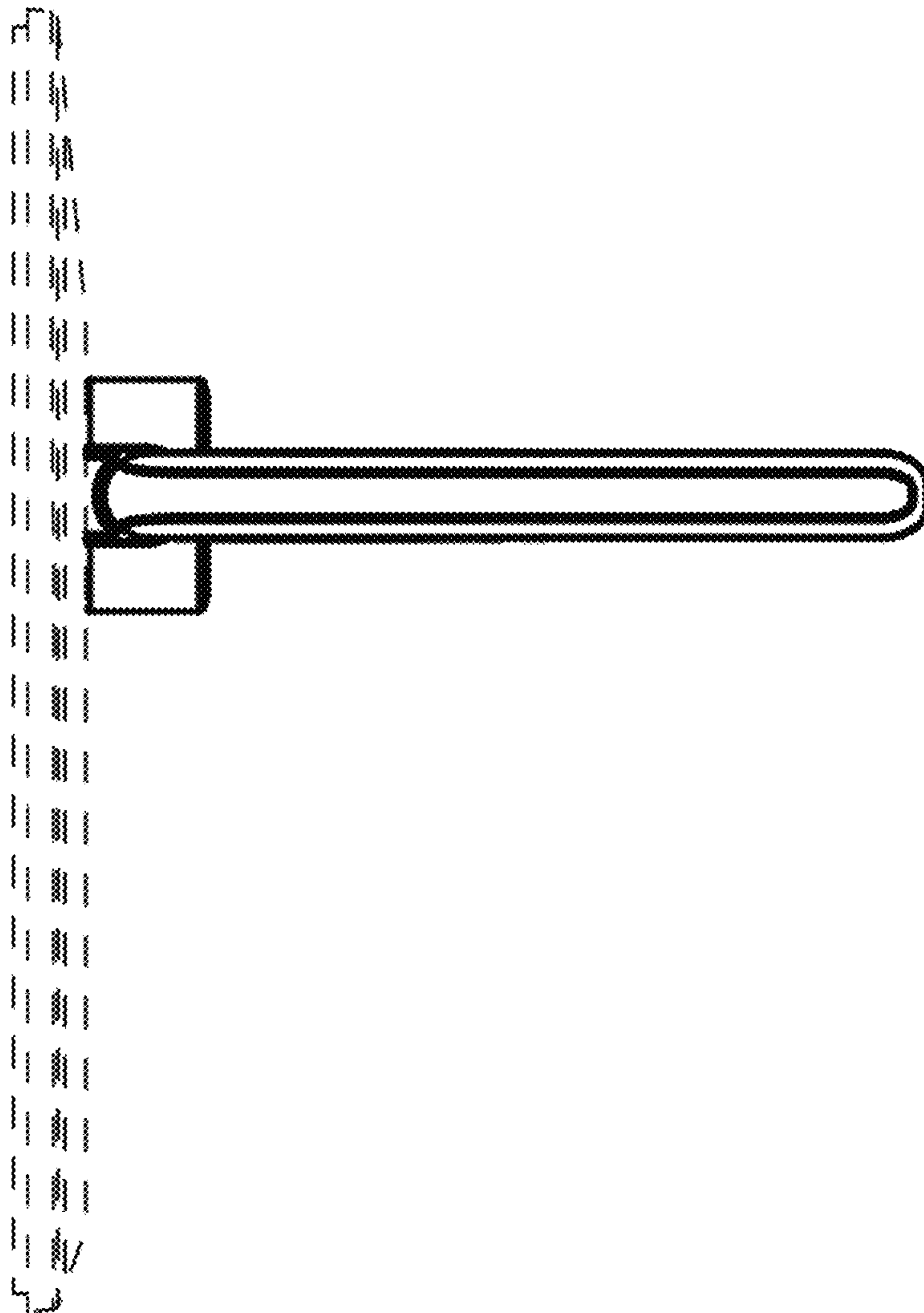


FIG. 6

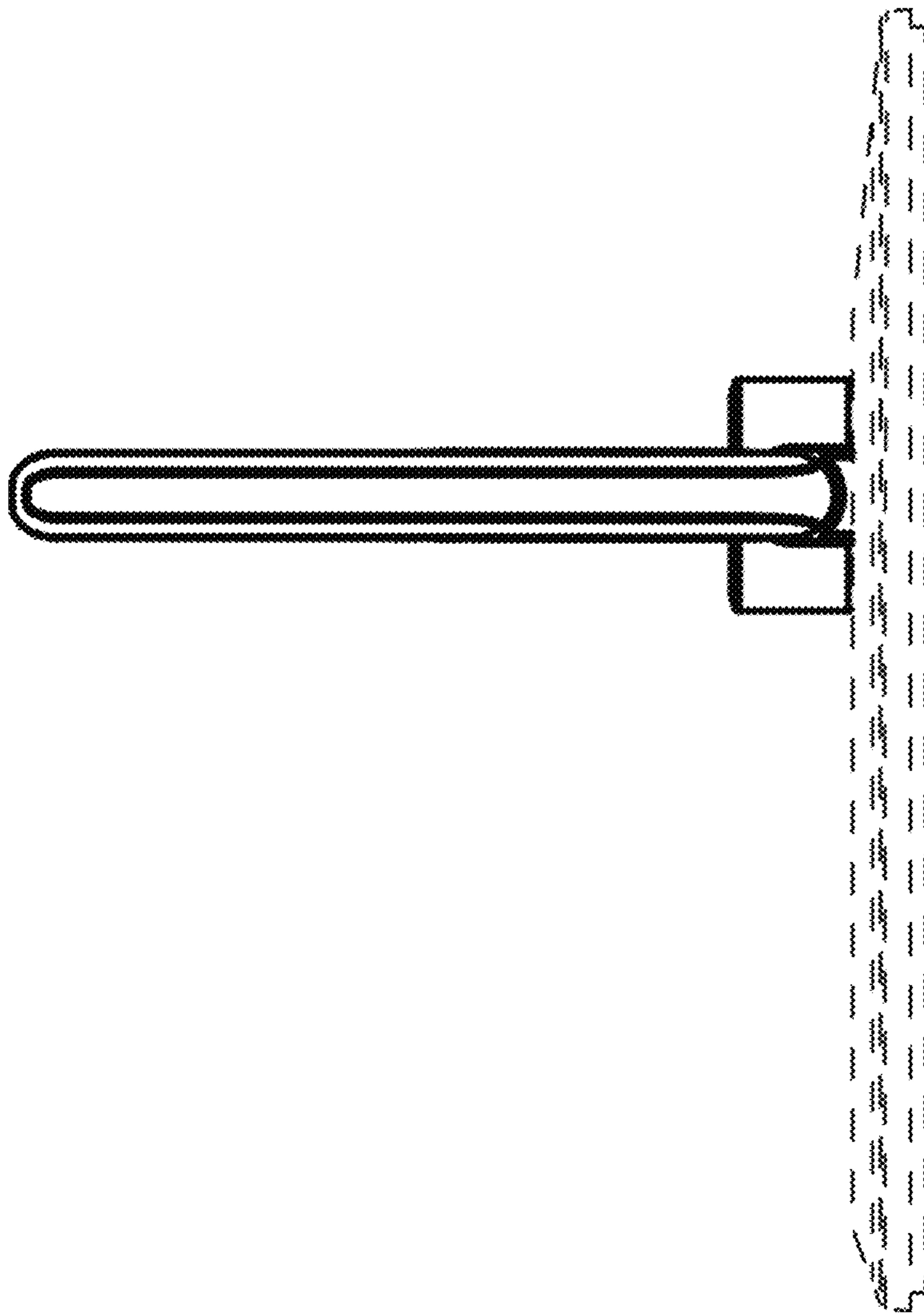


FIG. 7

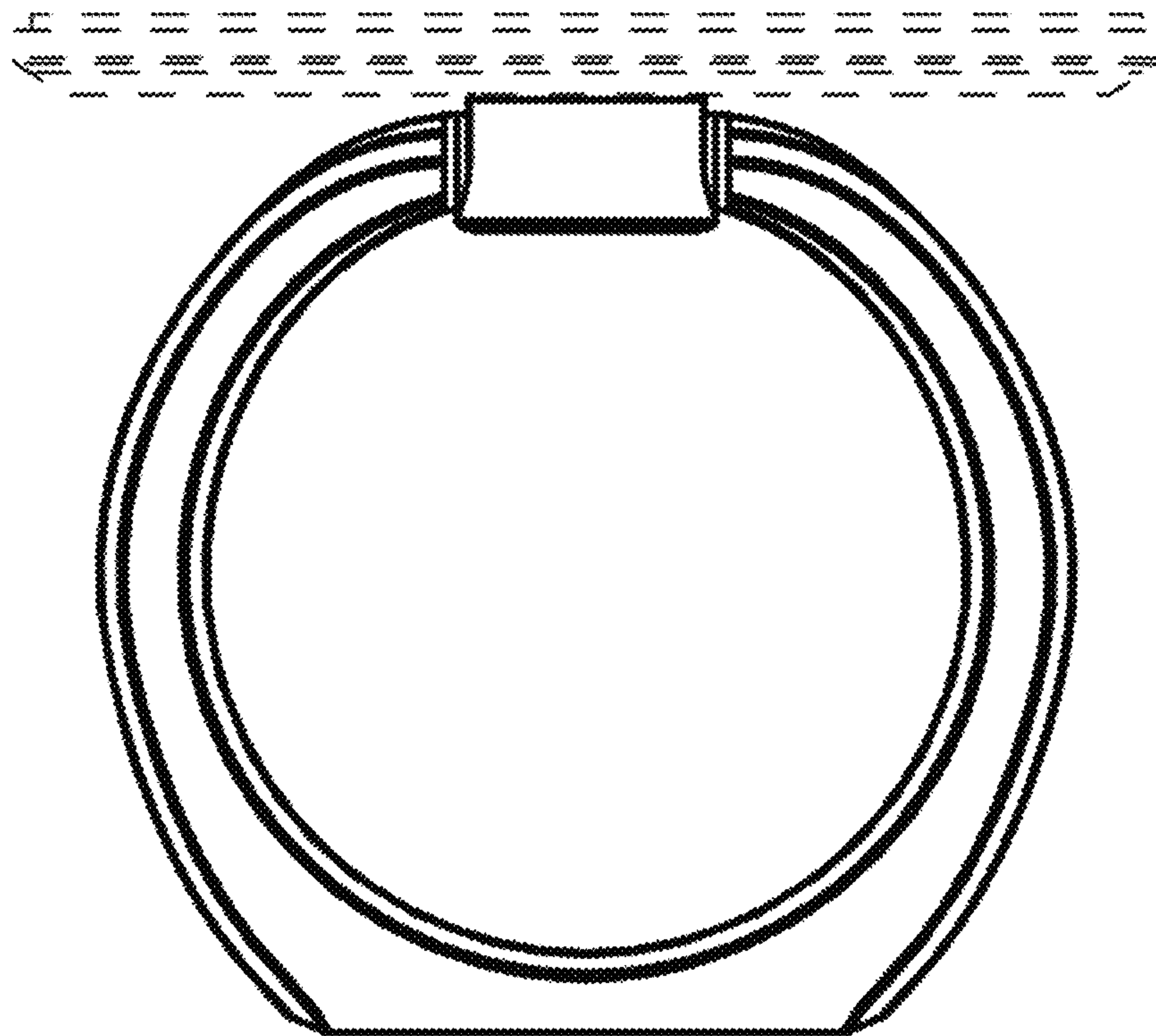


FIG. 8

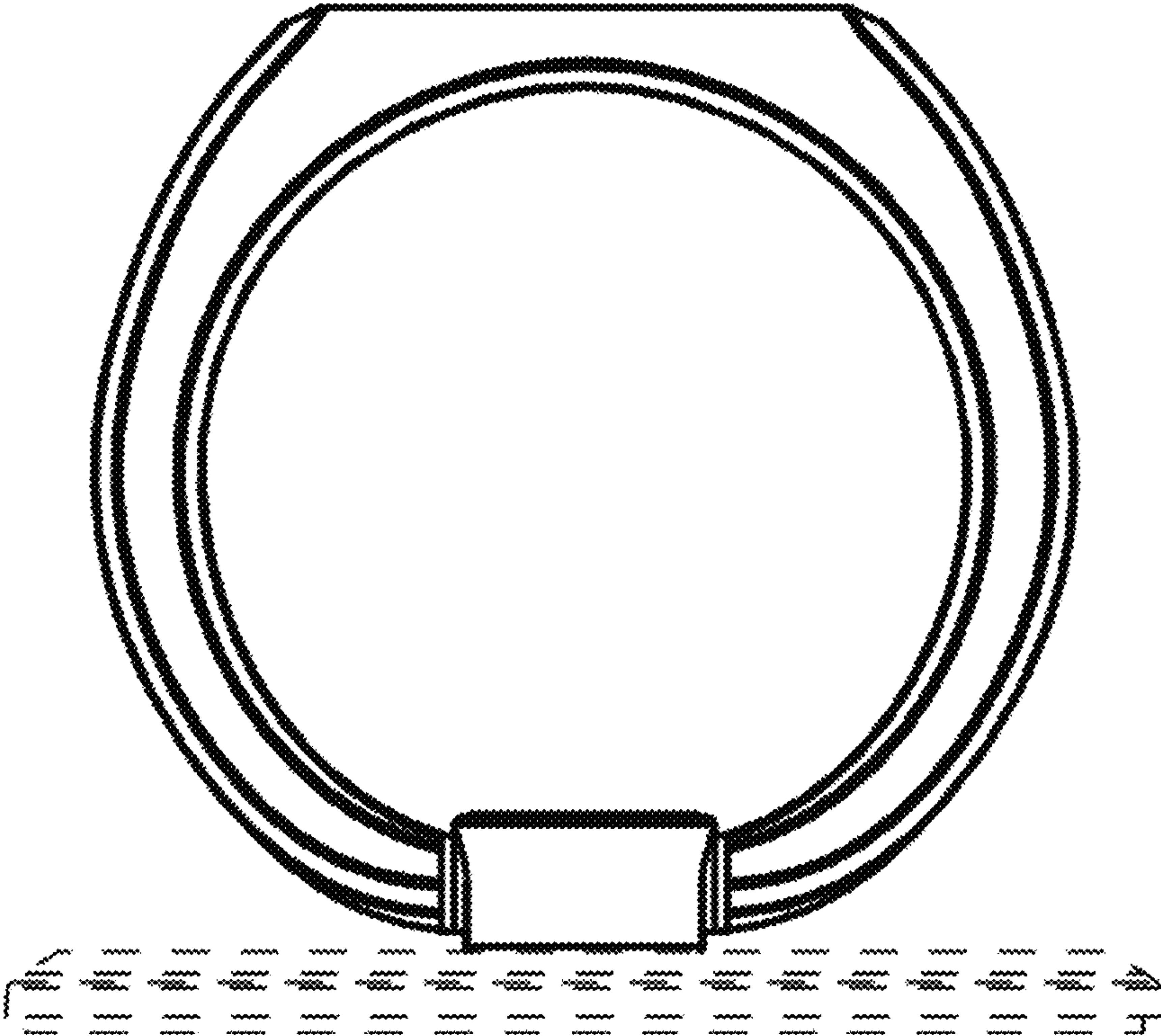


FIG. 9

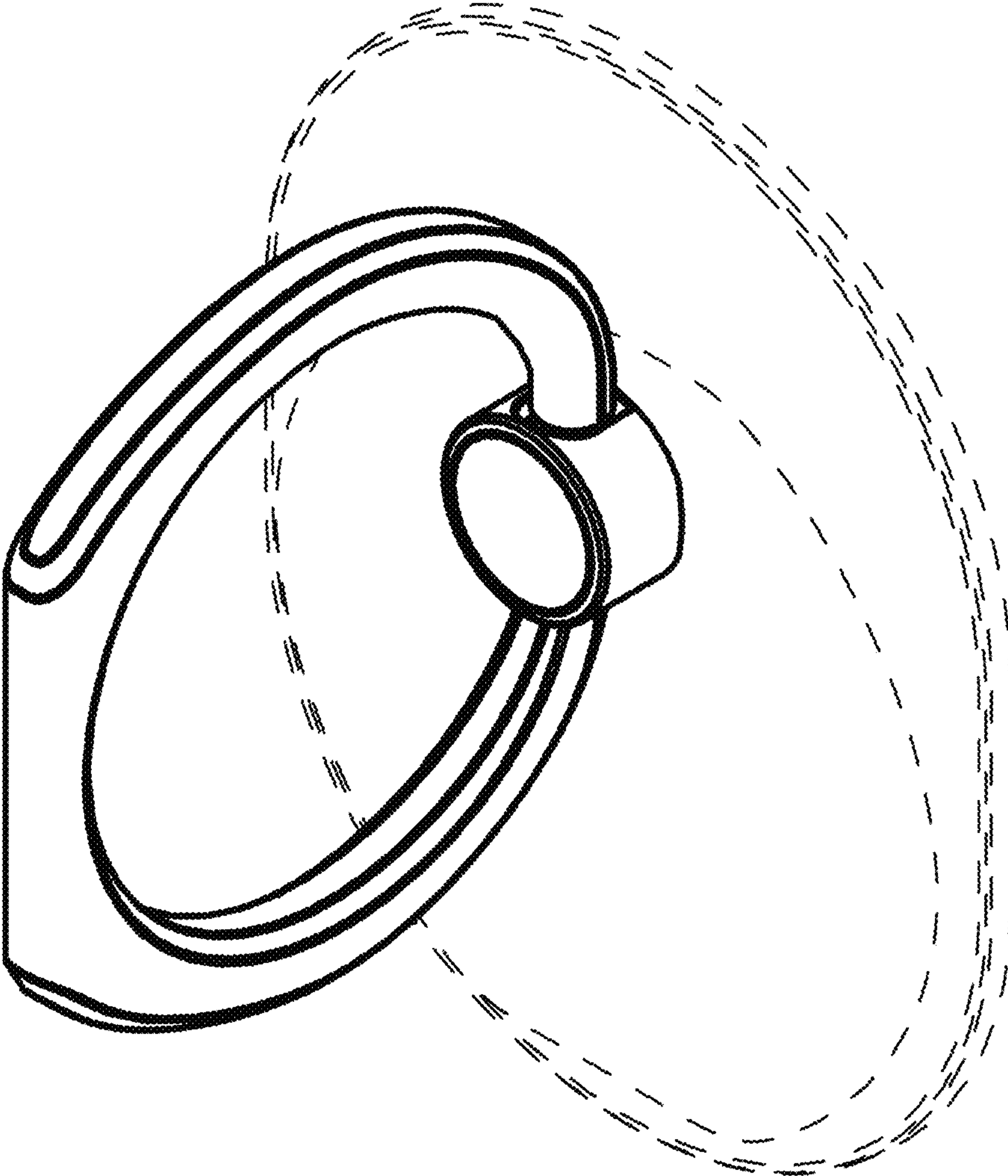


FIG. 10

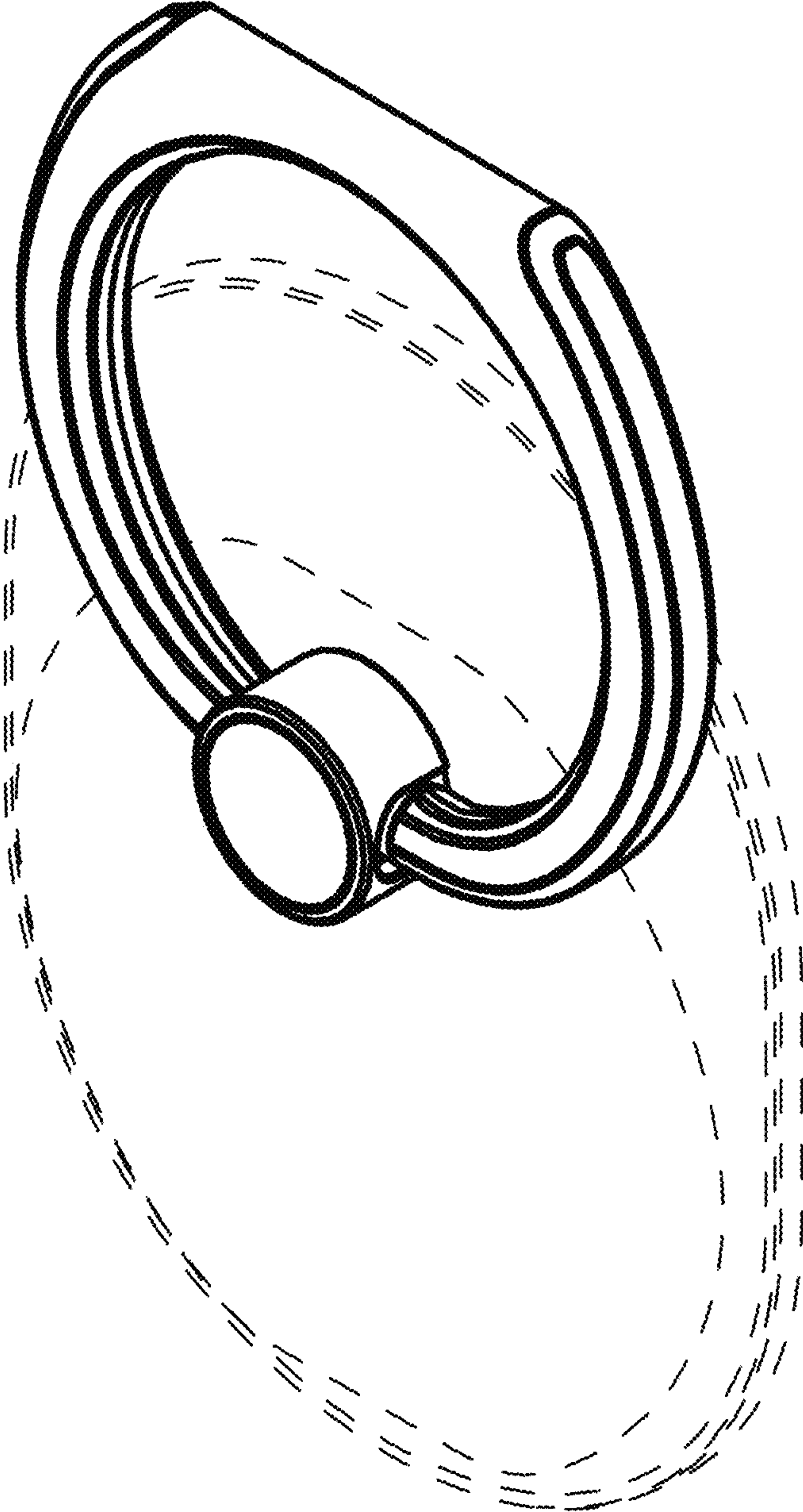


FIG. 11

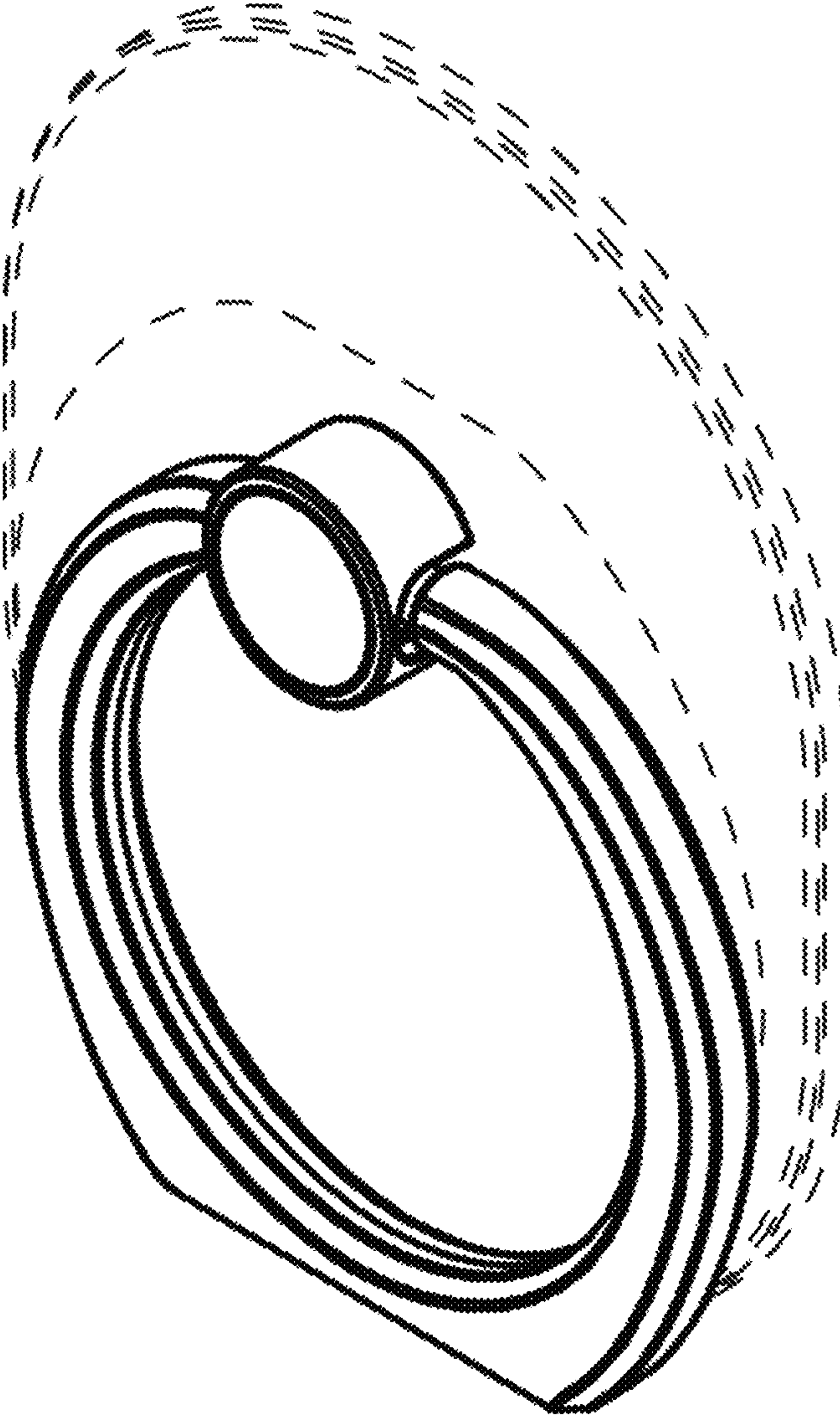


FIG. 12

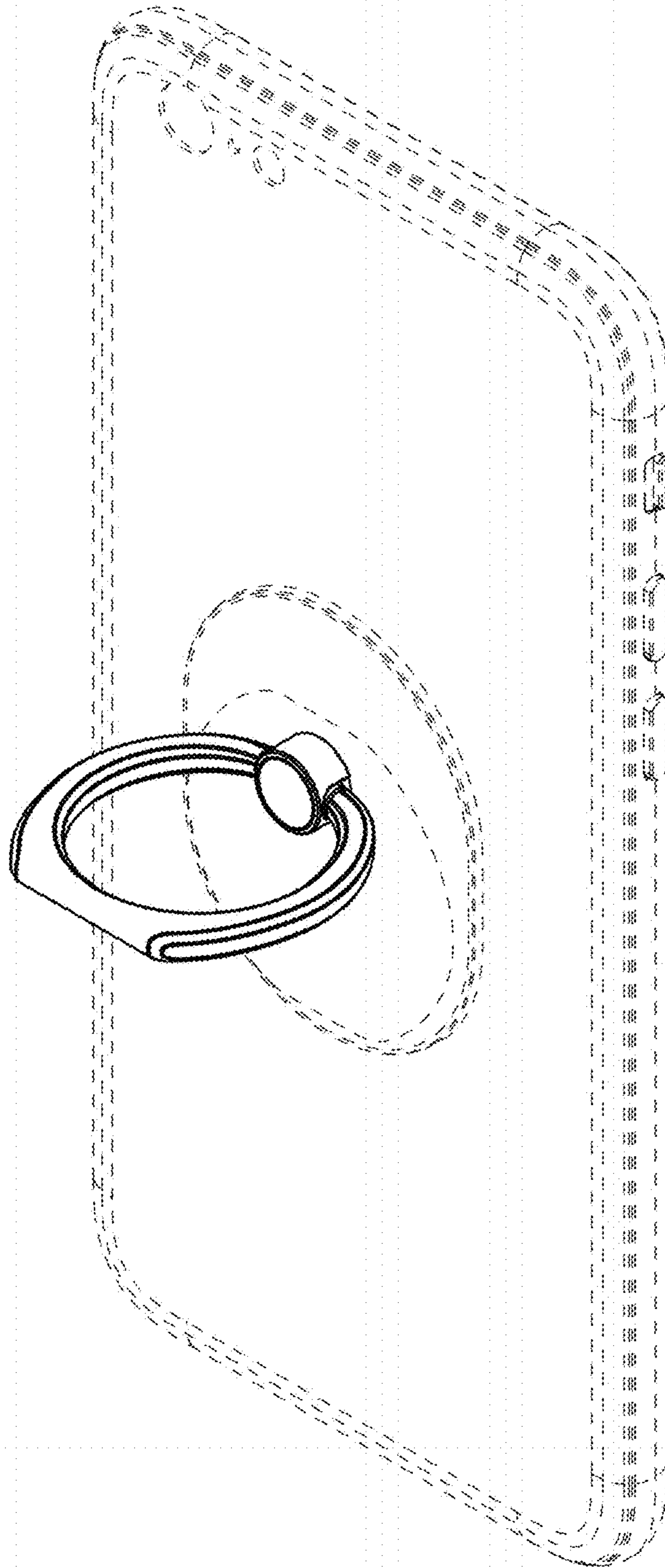


FIG. 13

