



US00D859412S

(12) **United States Design Patent** (10) **Patent No.:** **US D859,412 S**
AlNasser et al. (45) **Date of Patent:** **** Sep. 10, 2019**

(54) **WEARABLE OR HANDHELD HYBRID SMART BARCODE SCANNER**

(71) Applicant: **Practech, Inc.**, San Francisco, CA (US)

(72) Inventors: **Khalid A. AlNasser**, San Francisco, CA (US); **Ibrahim O. AlGwaiz**, San Francisco, CA (US); **Mohammad A. Algassim**, Riyadh (SA)

(73) Assignee: **Practech, Inc.**, San Francisco, CA (US)

(**) Term: **15 Years**

(21) Appl. No.: **29/614,489**

(22) Filed: **Aug. 18, 2017**

(51) **LOC (12) Cl.** **14-02**

(52) **U.S. Cl.**
USPC **D14/427**

(58) **Field of Classification Search**

USPC D14/427, 420, 426, 430, 453, 344, 341, D14/347, 412, 498, 371, 507, 154, 167, D14/168, 172, 192, 203.5, 203.7, 203.8, D14/226, 252; 358/473; 235/462.43, 235/462.45, 462.47, 462.48, 462.44, 235/462.46, 487, 472.01, 472.02, 440, 235/486, 462.01, 462.15, 462.21, 412; 16/110.1, 430, 431; 439/133, 135; 709/219, 201; 710/73; 320/114, 115, 320/123; 361/679, 232; 382/313, 321; 455/575.1, 561, 572, 569.1, 575.6; 705/17, 14.64, 14.65, 21; 341/20; 362/103; 250/370.8, 370.1; 348/E5.137, 348/E5.143, E9.026; 345/179, 156; 463/36; 14/2; 73/702; 600/306, 301, 600/300, 485; D3/218; 224/219, 267, 224/575, 666, 678; 340/5.92, 573.3, 340/573.1, 573, 573.4, 573.5; D24/107, D24/186, 187; D10/104.1, 104.2, 78, 46, D10/62, 30-32, 38, 39, 128, 122, 81; D11/2-6, 94; 24/442, 443, 483, 484, 24/492, 519, 542, 555, 589.1, 591.1,

24/265 R, 265 EC, 265 WS; D13/107, D13/184; 63/12, 3, 3.1, 3.2, 21; D29/120.1, 121.2, 100; 2/311-314, 316, 2/317; 368/10-14
 CPC G06K 7/10396; G06K 7/0004; G06K 7/0017; G06K 7/002; G06K 7/10881; G06K 7/10386; G06K 7/10009; G06K 7/01; G06K 7/10891; G06K 7/10544-1099; G06K 2007/10524; G06K 2007/10534; G06F 1/163; G06F 1/1633; G06F 1/1698; G06F 1/1684; G06F 2203/0331; G06Q 20/204; G06Q 20/208; G06Q 20/30; G06Q 20/322; G06Q 20/203; A45F 5/00; A45F 2005/002; A45F 2005/008; A45F 2200/0516; A45F 2200/0525; A45F 2200/0533; A45F 2200/0508; H04N 5/74; H04N 9/3129; H04N 9/3141; H01H 2009/0221; G04B 37/0008-0058; G04B 47/00; G04B 47/06; G04B 47/063; A61B 5/6831; A61B 5/01; A61B 5/053; A61B 5/6843; A44C 5/00

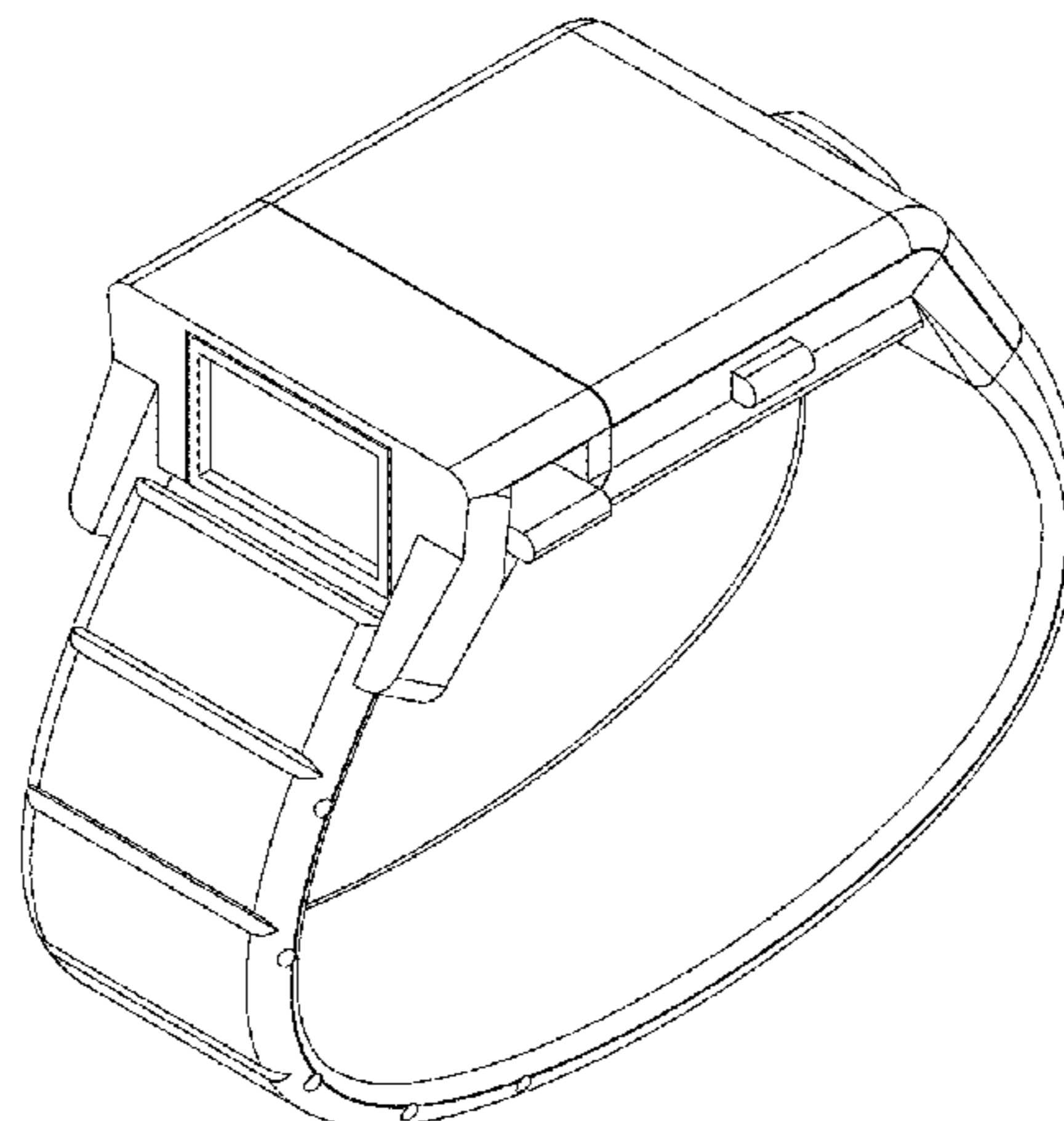
See application file for complete search history.

(56)

References Cited

U.S. PATENT DOCUMENTS

3,078,364 A * 2/1963 Neugebauer F21V 33/00 362/104
 4,722,625 A * 2/1988 O'Brien B05B 12/00 200/520
 4,766,299 A * 8/1988 Tierney G06K 7/10891 235/462.21
 4,935,610 A * 6/1990 Wike, Jr. G06K 7/10891 235/462.35
 4,954,817 A * 9/1990 Levine G06F 3/014 345/156
 5,191,197 A * 3/1993 Metlitsky G06K 7/10564 235/462.44
 D335,661 S * 5/1993 Shepard D14/427
 5,212,372 A * 5/1993 Quick G06F 3/014 235/462.44
 5,243,992 A * 9/1993 Eckerle G04G 21/025 600/485
 5,249,467 A * 10/1993 Takashima A61B 5/022 600/485



US D859,412 S

5,250,790 A *	10/1993	Melitsky	G06K 7/10564	235/462.44	6,529,372 B1 *	3/2003	Ng	G06F 1/163	312/223.2
D342,245 S *	12/1993	Krichever	D14/427		6,549,791 B1 *	4/2003	Jeon	H04B 1/385	379/433.08
5,272,324 A *	12/1993	Blevins	G06K 7/10881	235/385	6,607,134 B1 *	8/2003	Bard	G04B 47/00	235/462.44
5,274,219 A *	12/1993	Harden	G06K 7/10881	235/462.44	6,634,558 B1 *	10/2003	Patel	G06K 7/10891	235/462.01
5,274,613 A *	12/1993	Seager	H04B 1/385	368/13	6,754,069 B2 *	6/2004	Harada	G06F 1/1601	361/679.03
5,319,185 A *	6/1994	Obata	G06K 7/10891	235/455	D498,425 S *	11/2004	Marcucelli	D10/31	
5,329,106 A *	7/1994	Hone	G06K 7/10891	235/462.44	D501,144 S *	1/2005	Marcucelli	D10/31	
5,340,972 A *	8/1994	Sandor	G06K 7/10564	235/462.44	D501,412 S *	2/2005	Marcucelli	D10/31	
5,404,001 A *	4/1995	Bard	G06K 7/10653	235/439	7,140,546 B1 *	11/2006	Terlizzi	G06K 7/10881	235/472.01
5,410,140 A *	4/1995	Bard	G06F 1/163	235/462.33	D542,500 S *	5/2007	Perrier	D34/27	
5,471,983 A *	12/1995	Magnus	A61B 5/0408	600/390	D558,761 S *	1/2008	Viduya	D14/356	
5,478,997 A *	12/1995	Bridgelall	G06K 7/10564	235/462.25	D564,367 S *	3/2008	Molyneux	D10/31	
5,481,265 A *	1/1996	Russell	A61F 4/00	101/486	D565,427 S *	4/2008	Ellner	D10/31	
5,514,861 A *	5/1996	Swartz	G06F 1/163	235/462.44	D565,569 S *	4/2008	Viduya	D14/356	
5,543,610 A *	8/1996	Bard	G06F 1/163	235/462.44	D567,110 S *	4/2008	Pardoux	D10/31	
5,550,366 A *	8/1996	Roustaei	G06K 7/10891	235/455	D567,111 S *	4/2008	Pardoux	D10/31	
5,587,577 A *	12/1996	Schultz	B60R 11/02	235/462.44	D573,039 S *	7/2008	Berard	D10/31	
5,602,376 A *	2/1997	Coleman	G06K 7/10594	235/462.35	D578,527 S *	10/2008	Mincolelli	D14/341	
5,610,386 A *	3/1997	Ball	G06K 7/10891	235/412	D581,826 S *	12/2008	Molyneux	D10/32	
5,610,387 A *	3/1997	Bard	G04B 47/00	235/462.44	D599,108 S *	9/2009	Brandenburg	D3/218	
5,675,138 A *	10/1997	La	G06K 7/10891	235/462.44	D601,140 S *	9/2009	Choi	D14/344	
D385,855 S *	11/1997	Ronzani	D14/344		7,591,581 B2 *	9/2009	Lovegrove	A44C 5/24	368/276
5,742,043 A *	4/1998	Knowles	G06K 7/10	235/462.3	7,946,758 B2 *	5/2011	Mooring	G04B 37/005	368/276
5,793,032 A *	8/1998	Bard	G04B 37/0016	235/462.15	7,959,084 B2 *	6/2011	Wulff	G06K 17/0022	235/472.02
5,808,289 A *	9/1998	Becker	G06K 7/10891	235/462.01	8,098,141 B2 *	1/2012	Vanska	G06F 1/163	340/407.1
5,837,990 A *	11/1998	Shepard	G06K 7/10891	235/383	8,260,384 B2 *	9/2012	Wulff	A45F 5/00	224/267
5,898,161 A *	4/1999	DeVita	G04B 37/0016	235/462.44	8,279,716 B1 *	10/2012	Gossweiler, III	H04M 1/72552	368/10
5,917,174 A *	6/1999	Moore	G06K 7/10891	235/462.44	D673,334 S *	12/2012	Guo	D30/152	
5,925,872 A *	7/1999	Wyatt	G06K 7/10564	235/462.43	8,328,055 B1 *	12/2012	Snyder	A45F 5/00	224/197
6,015,090 A *	1/2000	Swartz	G06K 7/10861	235/462.32	8,474,669 B2 *	7/2013	Rohrbach	A45F 5/00	224/222
6,030,290 A *	2/2000	Powell	A63F 13/06	463/36	8,534,514 B2 *	9/2013	Zhu	A45F 5/00	224/152
6,036,093 A *	3/2000	Schultz	G06F 1/163	235/462.43	8,554,292 B1 *	10/2013	Alsaffar	H04M 1/04	455/575.4
6,102,293 A *	8/2000	Barkan	G04B 37/0016	235/462.2	8,570,273 B1 *	10/2013	Smith	G06F 3/0338	345/156
D440,966 S *	4/2001	Ronzani	D14/344		8,601,731 B2 *	12/2013	Padgett	A44C 5/14	40/633
6,212,414 B1 *	4/2001	Alameh	H04B 1/385	455/347	8,674,810 B2 *	3/2014	Uysal	G06K 7/0008	340/10.4
6,234,393 B1 *	5/2001	Paratore	G06K 7/10891	235/462.2	D703,069 S *	4/2014	Adams	D10/31	
6,297,808 B1 *	10/2001	Yang	G06F 3/03549	345/167	D703,204 S *	4/2014	Riddiford	D10/65	
D454,551 S *	3/2002	Bonadei	D10/31		D711,002 S *	8/2014	Ohnemus	D24/186	
6,380,923 B1 *	4/2002	Fukumoto	G06F 1/163	341/22	D715,668 S *	10/2014	Roush	D10/70	
D457,503 S *	5/2002	Butler, Jr.	D14/126		D720,249 S *	12/2014	Park	D11/3	
					D727,196 S *	4/2015	Tanner	D11/3	
					D730,348 S *	5/2015	Grifoni	D14/344	
					D734,328 S *	7/2015	Song	D10/31	
					D734,330 S *	7/2015	Huang	D14/344	
					D734,331 S *	7/2015	Wu	D14/344	
					9,092,684 B1 *	7/2015	Sundaram	G06K 7/10891	
					D737,699 S *	9/2015	Chang	D10/39	
					D740,827 S *	10/2015	Sun	D14/427	
					D741,855 S *	10/2015	Park	D14/344	
					D742,875 S *	11/2015	Ji	D10/32	
					D744,869 S *	12/2015	Dallmeyer	D10/32	
					D746,477 S *	12/2015	Cha	D24/186	
					D746,776 S *	1/2016	Park	D13/146	
					9,235,742 B1 *	1/2016	Qaddoura	G06T 3/60	
					D748,997 S *	2/2016	Block	D10/32	
					D750,623 S *	3/2016	Park	D10/38	
					D752,046 S *	3/2016	Jun	D14/344	

2015/0223355 A1* 8/2015 Fleck G06F 1/163
361/679.03
2015/0229750 A1* 8/2015 Zhou H04M 1/72522
705/44
2015/0258431 A1* 9/2015 Stafford A63F 13/213
463/31
2015/0277559 A1* 10/2015 Vescovi G06F 3/014
345/173
2015/0278570 A1* 10/2015 Van Horn H01Q 1/2283
235/472.01
2015/0288682 A1* 10/2015 Bisroev G06F 3/0481
713/172
2016/0062410 A1* 3/2016 Ko G06F 1/163
361/679.03
2016/0063293 A1* 3/2016 Sun G06K 7/10891
235/462.44
2016/0066858 A1* 3/2016 Crawford A61B 5/7264
600/301
2016/0070439 A1* 3/2016 Bostick G06F 3/04842
715/728
2016/0180132 A1* 6/2016 Lim G06K 7/10544
235/462.45
2016/0180133 A1* 6/2016 Oberpriller G06K 7/10891
235/462.44
2016/0259958 A1* 9/2016 Nara G06K 7/10722
2016/0267310 A1* 9/2016 AlNasser G06K 7/10009
2016/0283765 A1* 9/2016 Sandtner G06K 7/1439
2016/0371633 A1* 12/2016 Stout G06K 7/10732
2017/0014037 A1* 1/2017 Coppola A61B 5/6898
2017/0020449 A1* 1/2017 Shim A61B 5/7455
2017/0083046 A1* 3/2017 Seok A61B 5/681
2017/0262678 A1* 9/2017 Lin G06K 17/0022
2017/0300730 A1* 10/2017 Kamel G06K 7/10891
2017/0303129 A1* 10/2017 Boettcher H04M 1/7253
2017/0347262 A1* 11/2017 Juliato H04W 12/06
2018/0019776 A1* 1/2018 Yap H04M 1/0258
2018/0035943 A1* 2/2018 Shemesh A61B 5/02055
2018/0167549 A1* 6/2018 Lim H04N 5/2252

2018/0204033 A1* 7/2018 Weng G06F 3/0416
2018/0225489 A1* 8/2018 Liou G06K 7/10544

* cited by examiner

Primary Examiner — Susan Moon Lee
(74) *Attorney, Agent, or Firm* — Novick, Kim & Lee,
PLLC; Sang Ho Lee; Hyun Woo Shin

(57) **CLAIM**

We claim the ornamental design for a wearable or handheld hybrid smart barcode scanner, as shown and described.

DESCRIPTION

FIG. 1 is a top, front, and right side perspective view of a wearable or handheld hybrid smart barcode scanner, showing our new design;
FIG. 2 is a top, rear, and left side perspective view thereof;
FIG. 3 is a top plan view thereof;
FIG. 4 is a front elevational view thereof;
FIG. 5 is a rear elevational view thereof;
FIG. 6 is a bottom plan view thereof;
FIG. 7 is a right side elevational view thereof;
FIG. 8 is a left side elevational view thereof;
FIG. 9 is a top, front, and right side perspective view of the wearable or handheld hybrid smart barcode scanner shown in a disconnected configuration;
FIG. 10 is a top, rear, and left side perspective view thereof;
FIG. 11 is a top plan view thereof;
FIG. 12 is a front elevational view thereof;
FIG. 13 is a rear elevational view thereof;
FIG. 14 is a bottom plan view thereof;
FIG. 15 is a right side view thereof; and,
FIG. 16 is a left side view thereof.

1 Claim, 16 Drawing Sheets

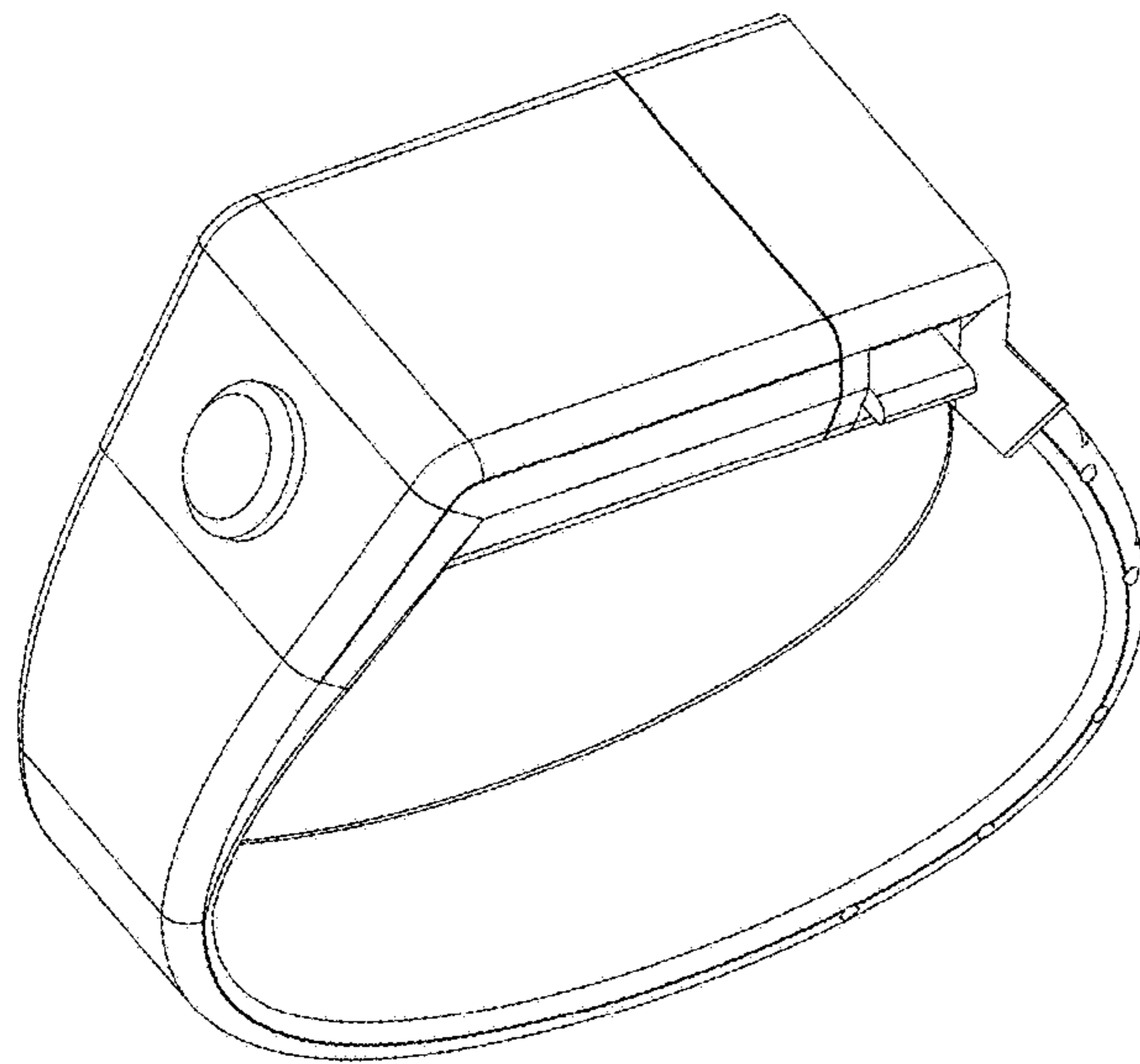


FIG. 1

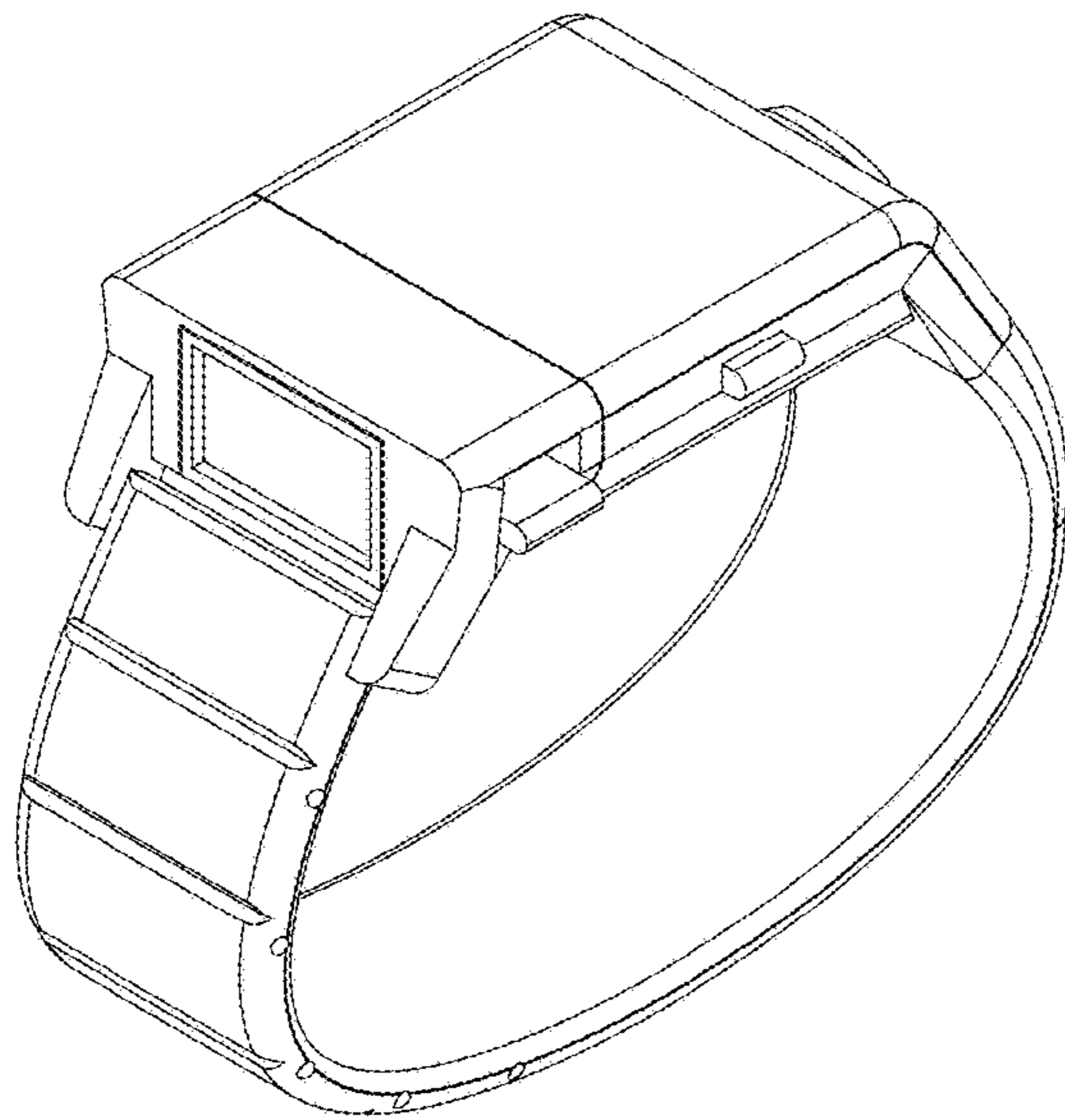


FIG. 2

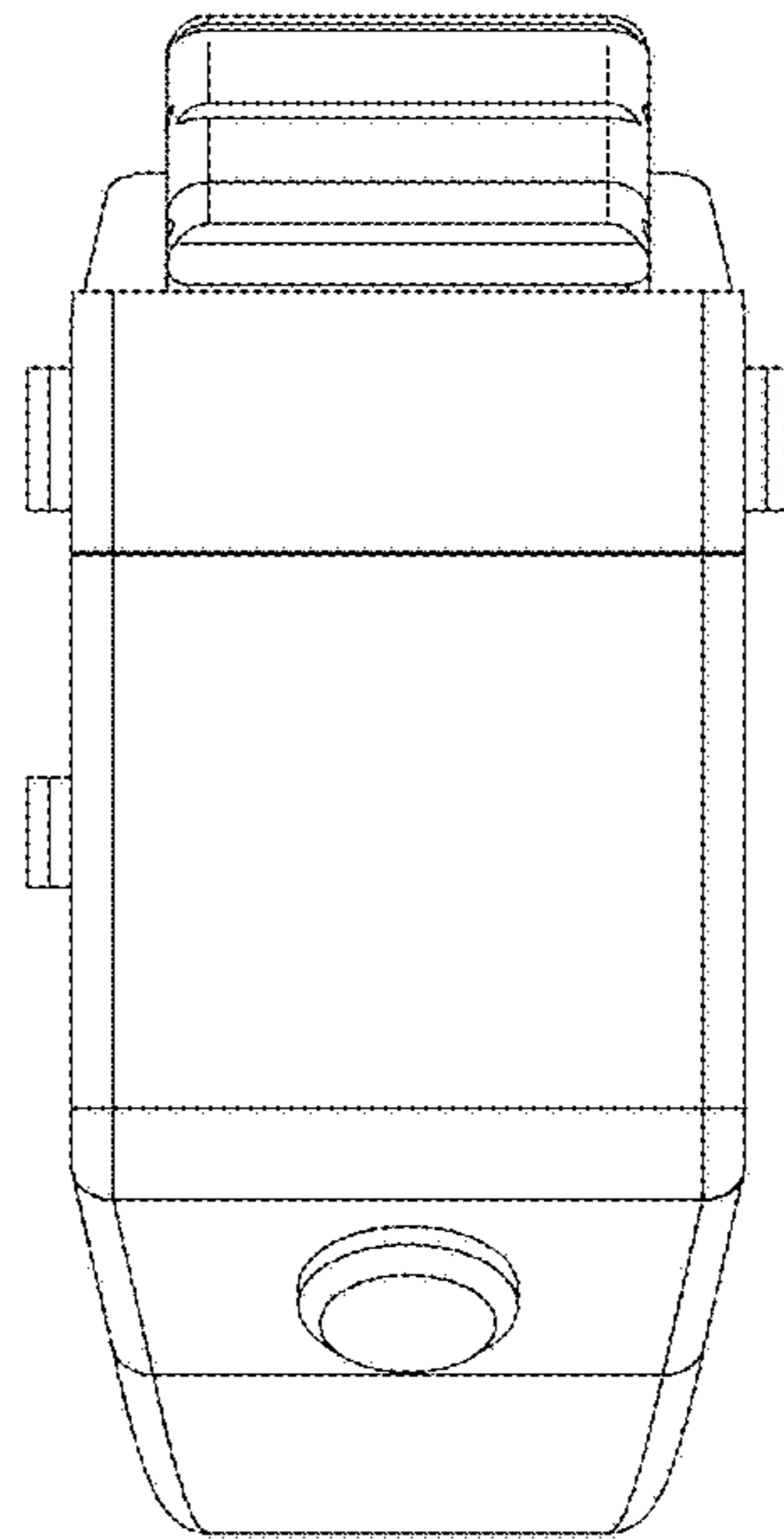


FIG. 3

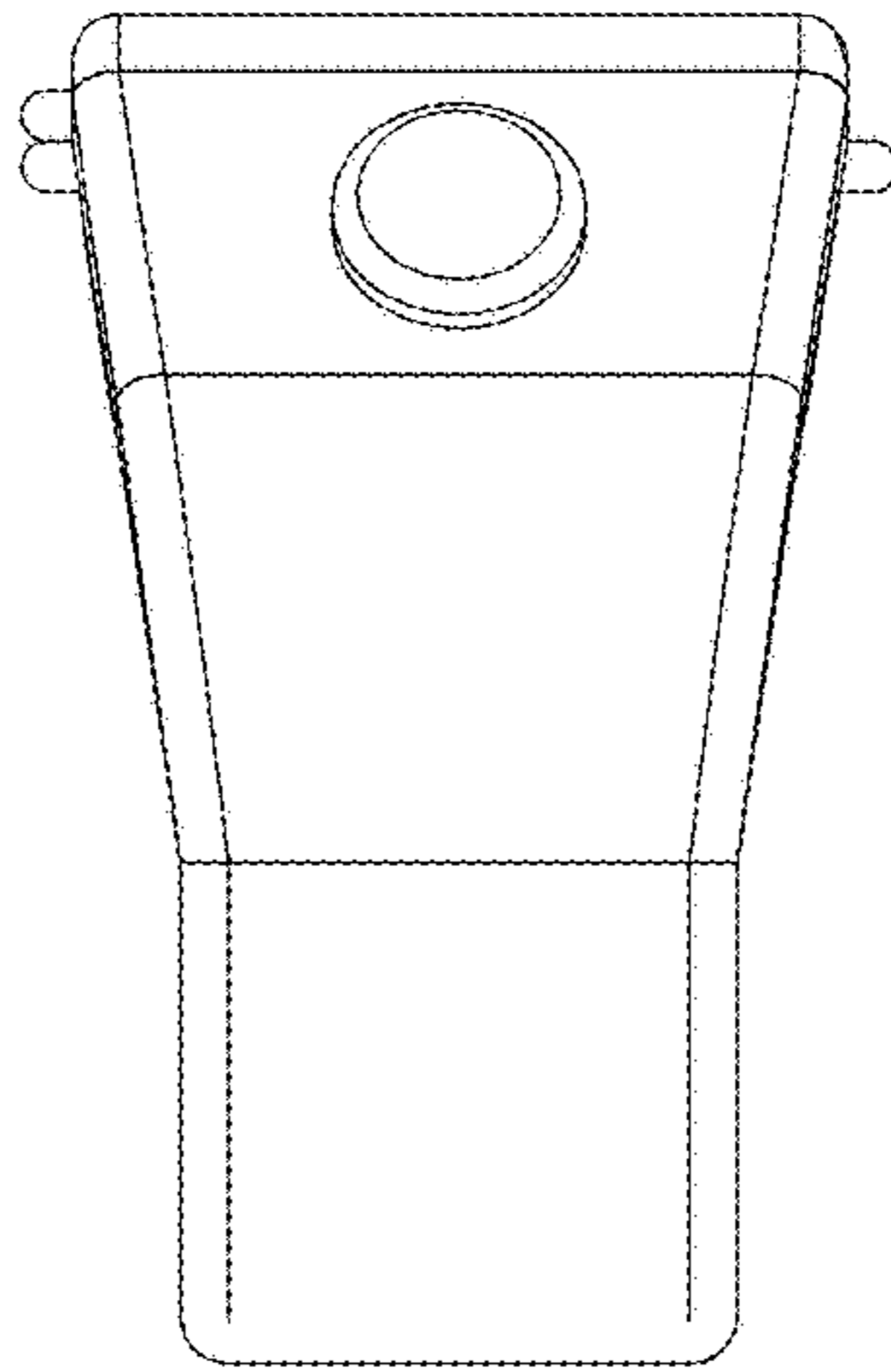


FIG. 4

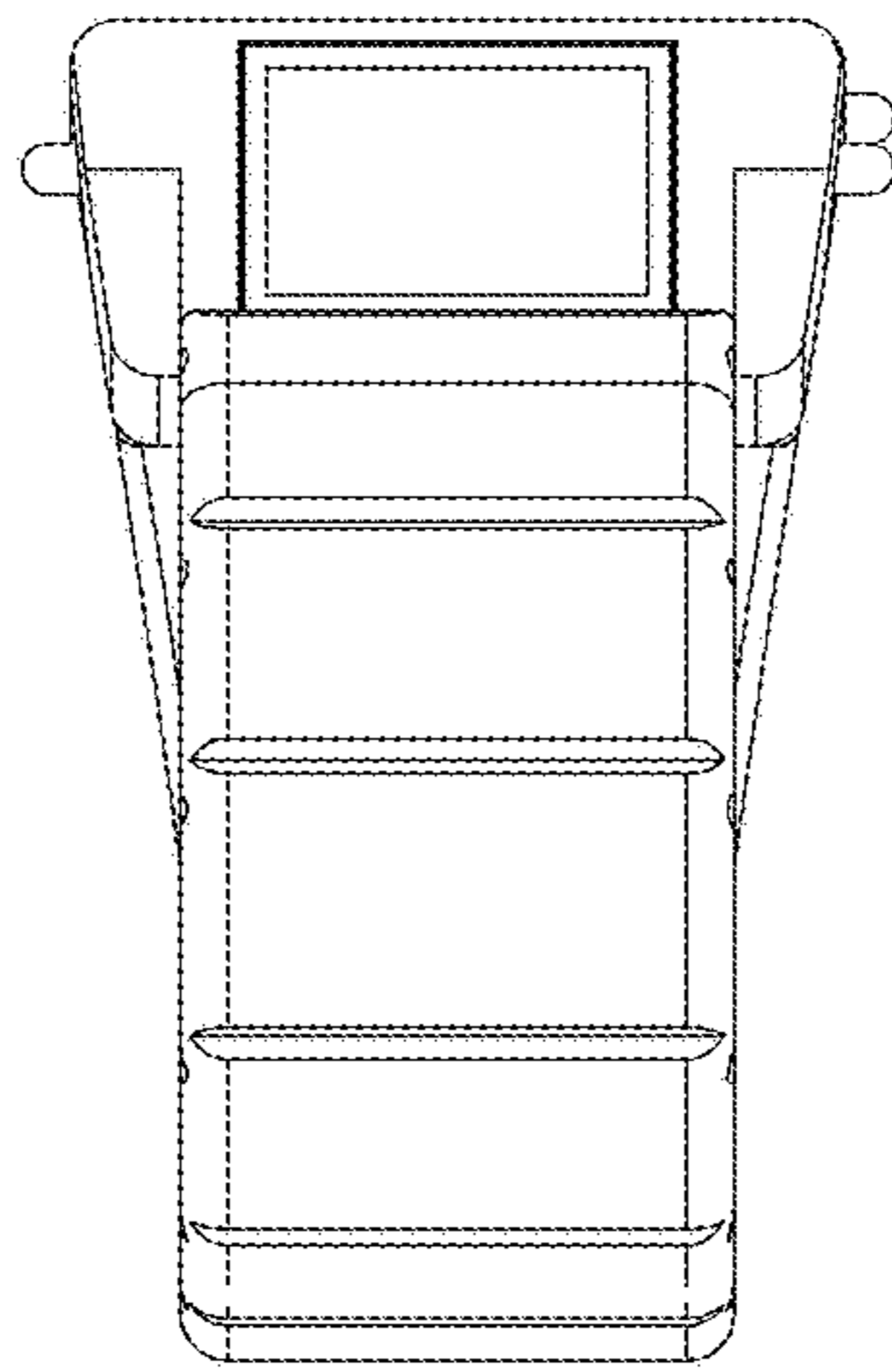


FIG. 5

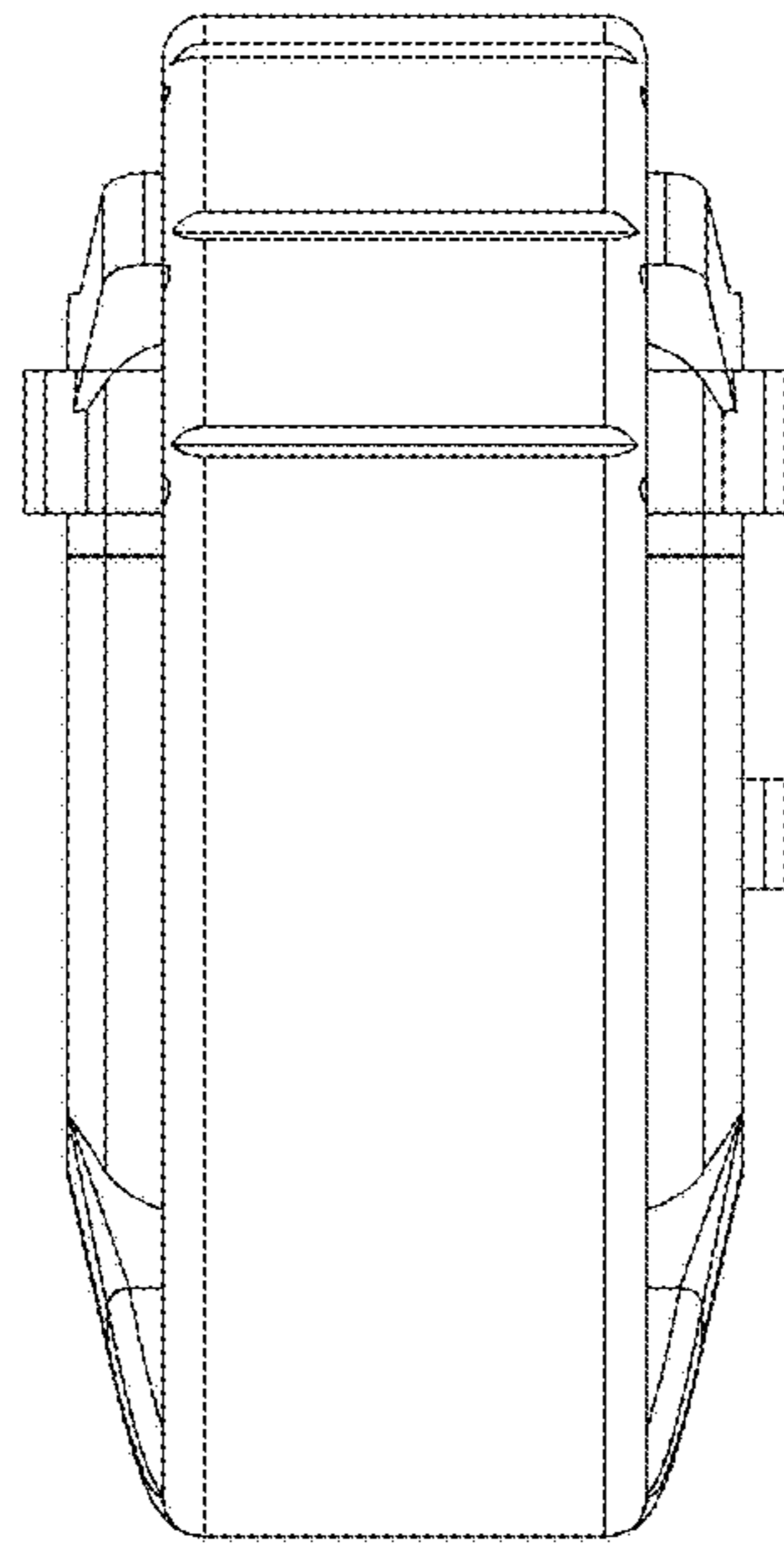


FIG. 6

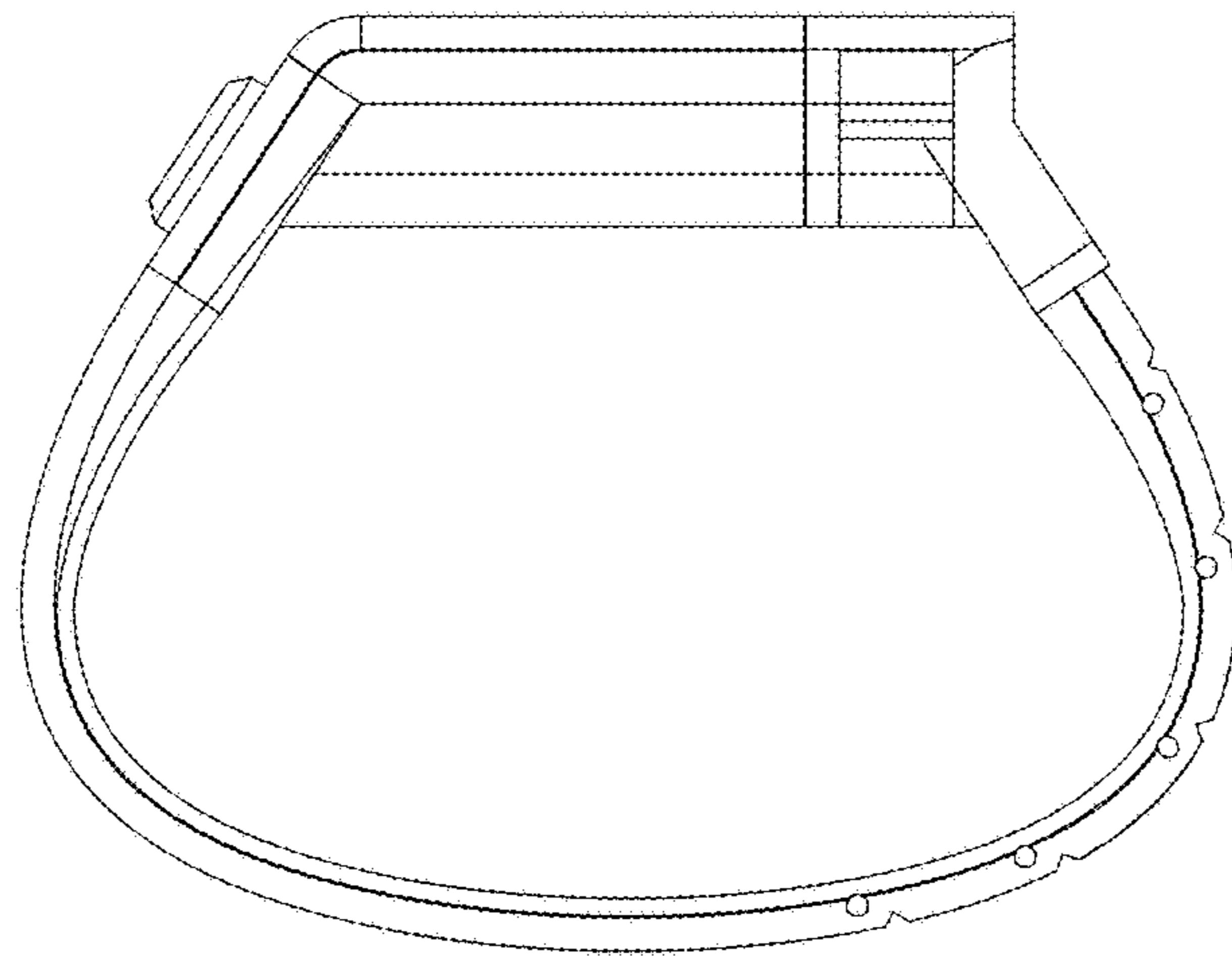


FIG. 7

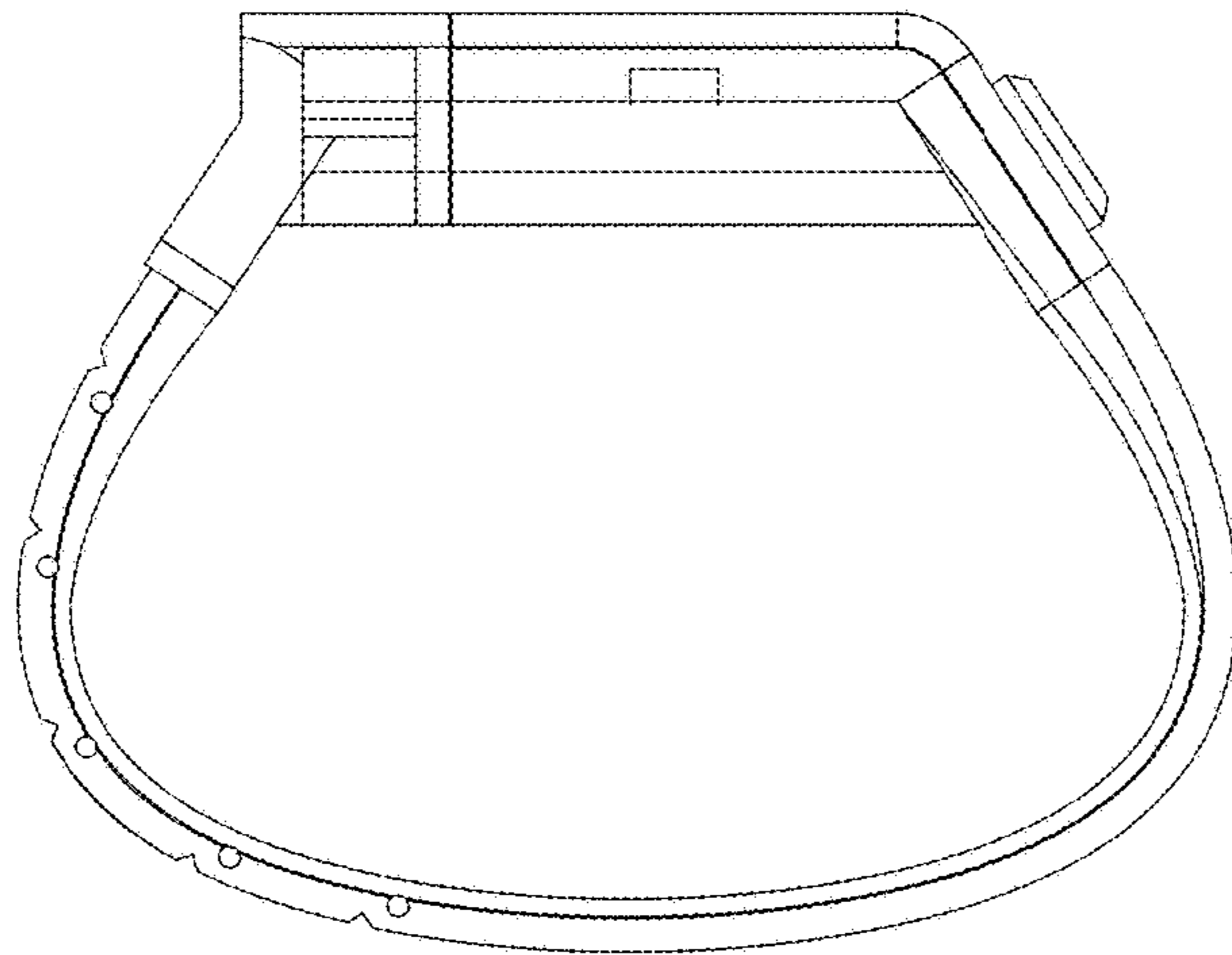


FIG. 8

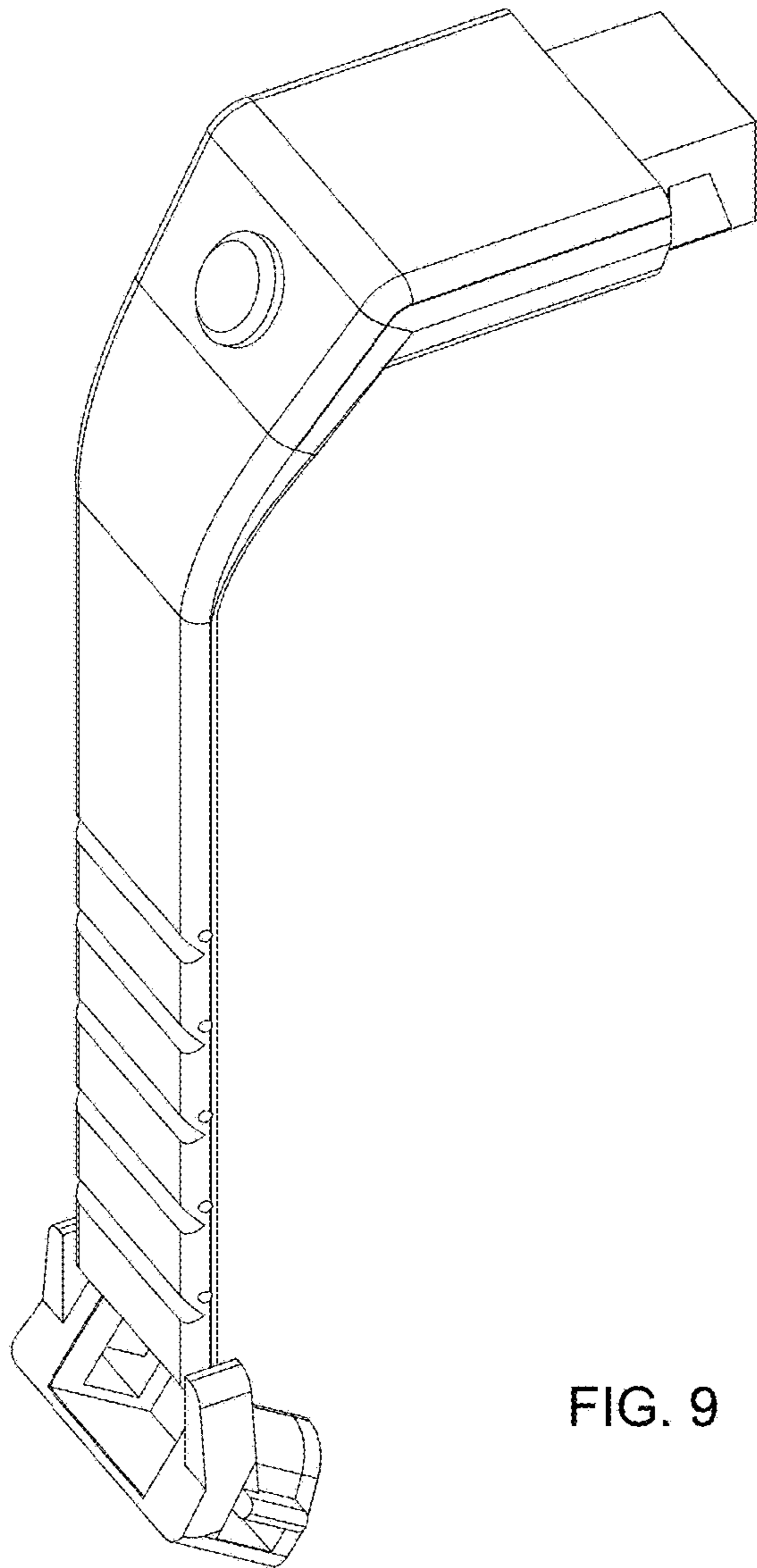


FIG. 9

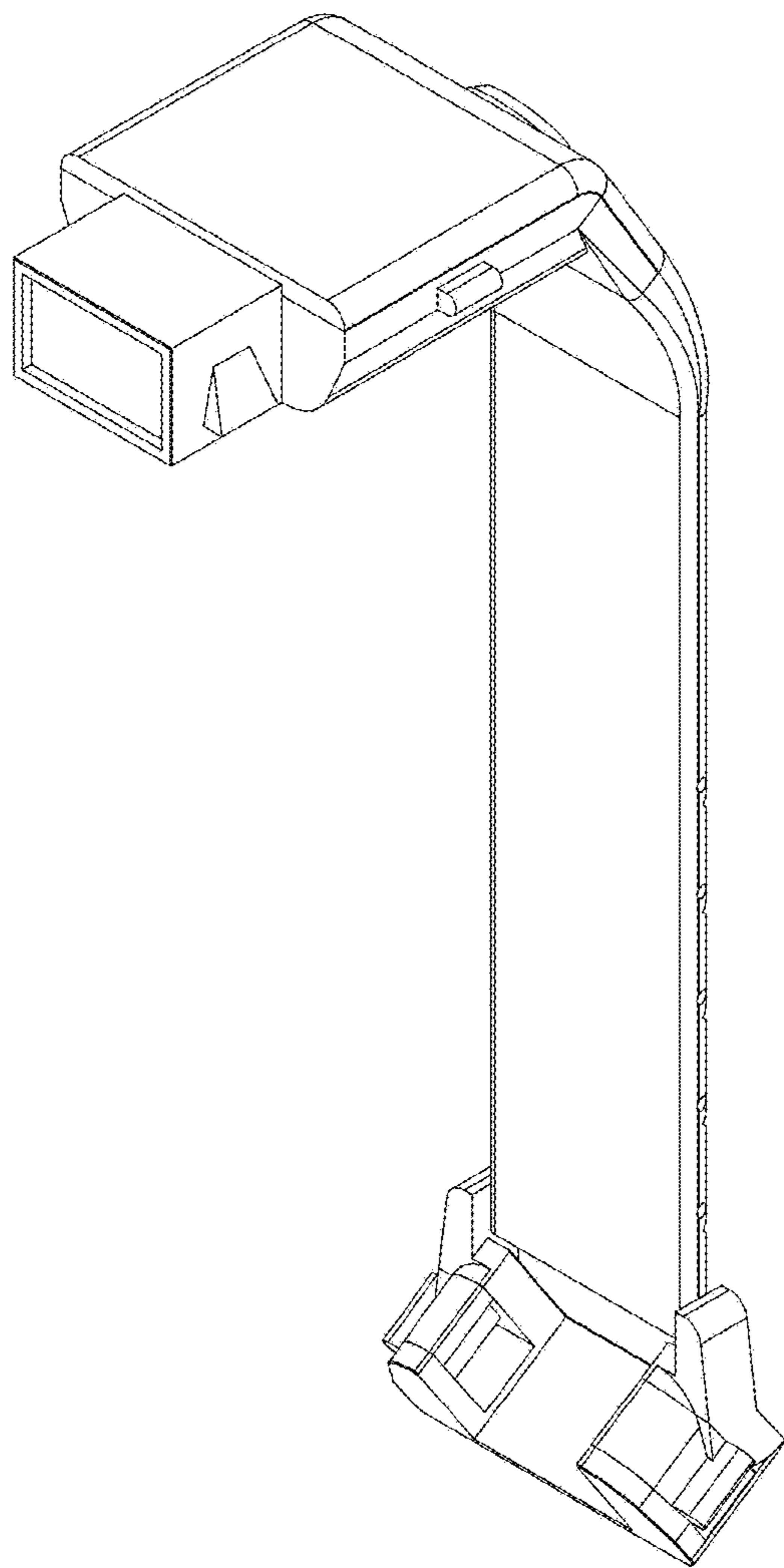


FIG. 10

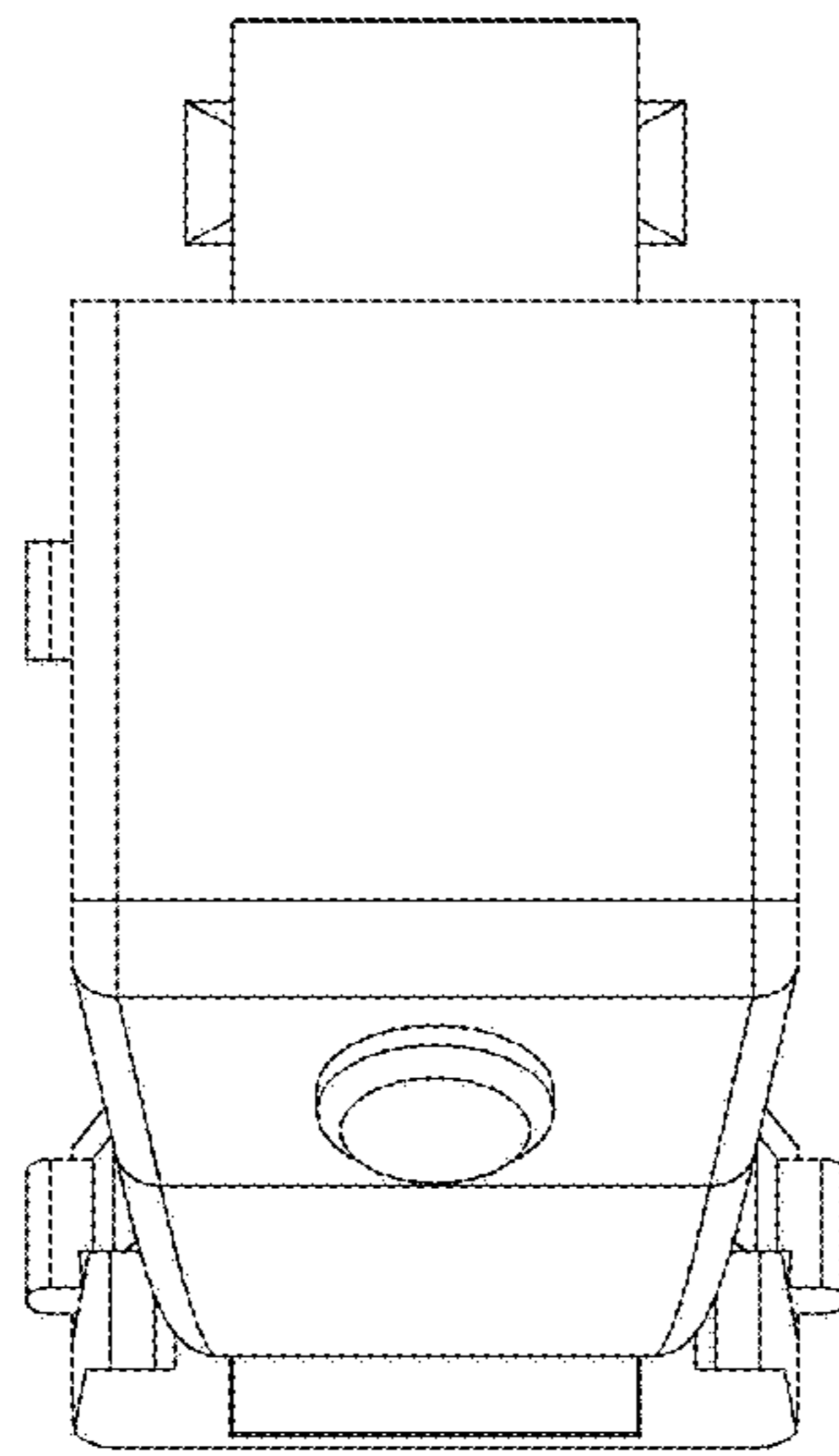


FIG. 11

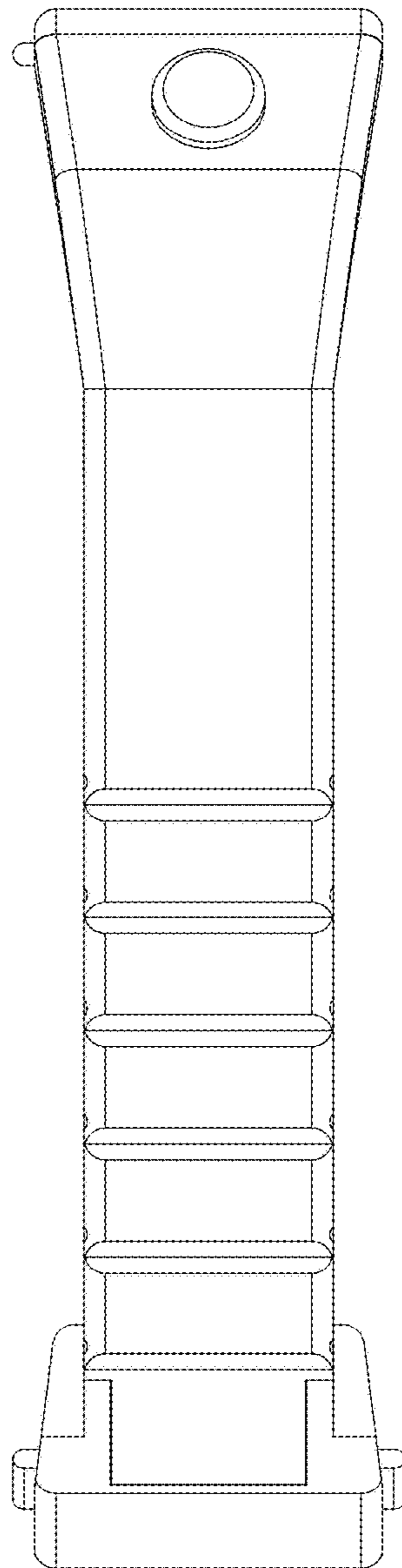


FIG. 12

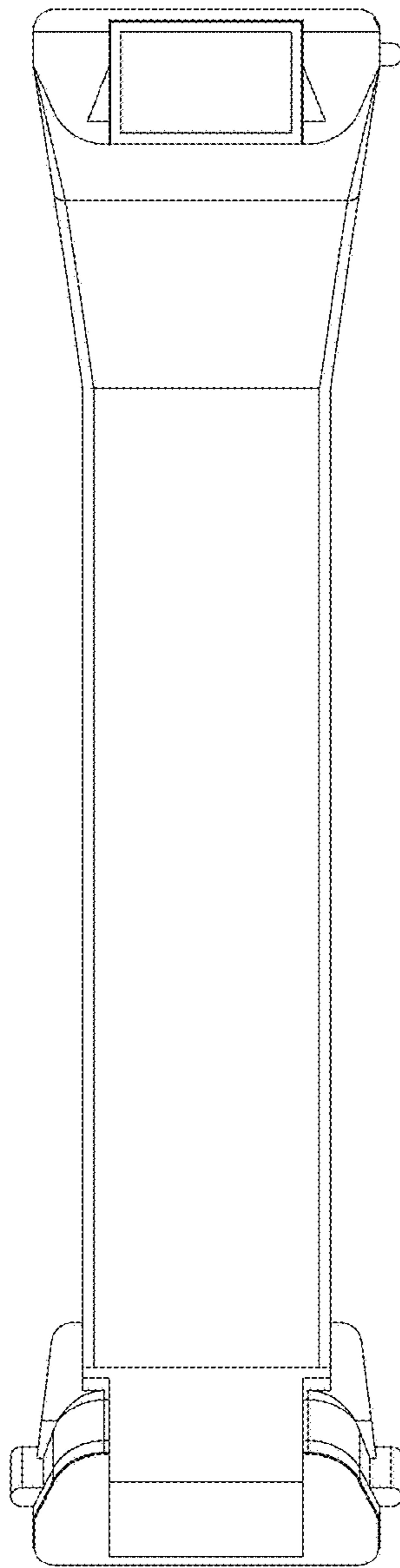


FIG. 13

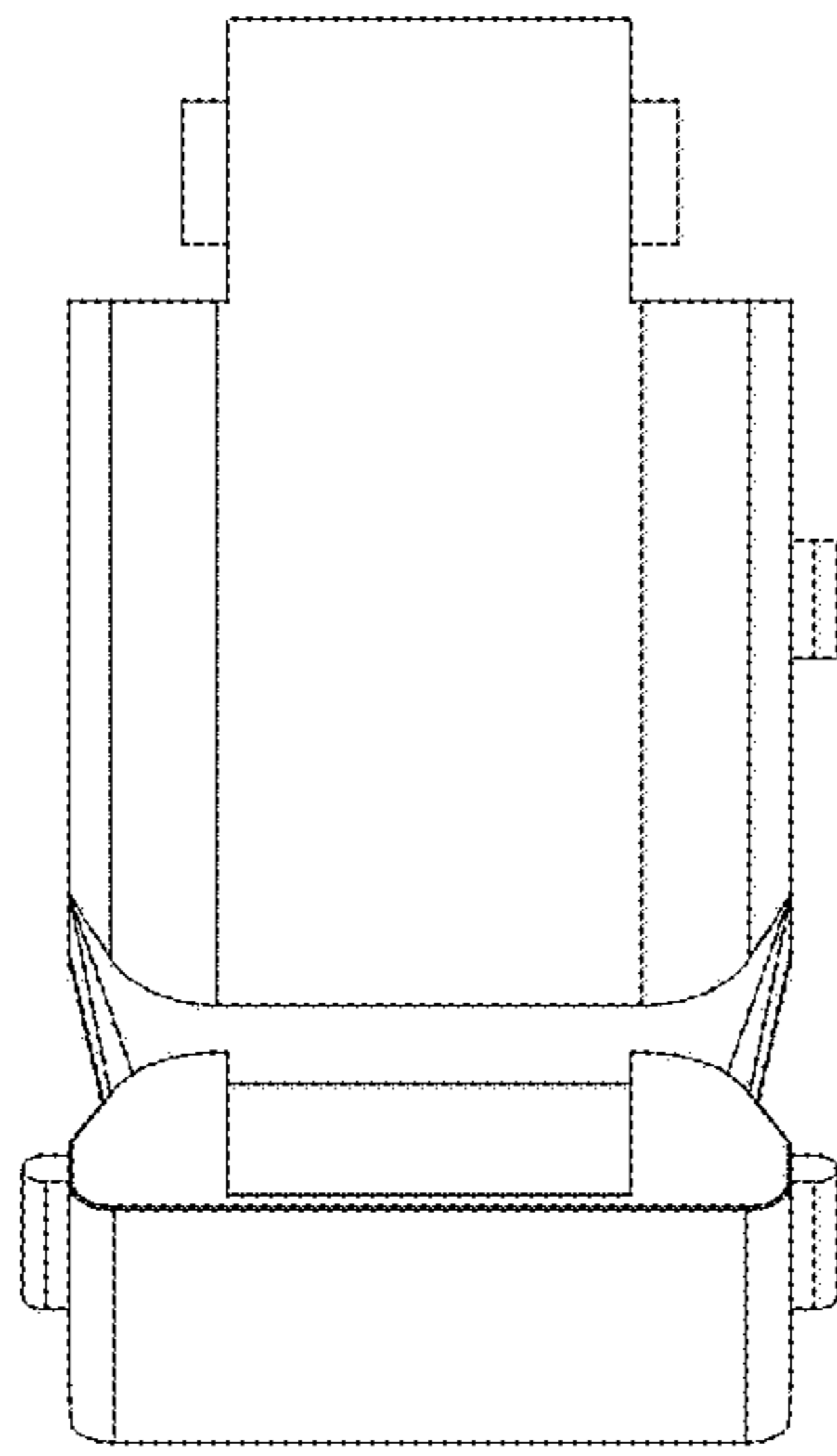


FIG. 14

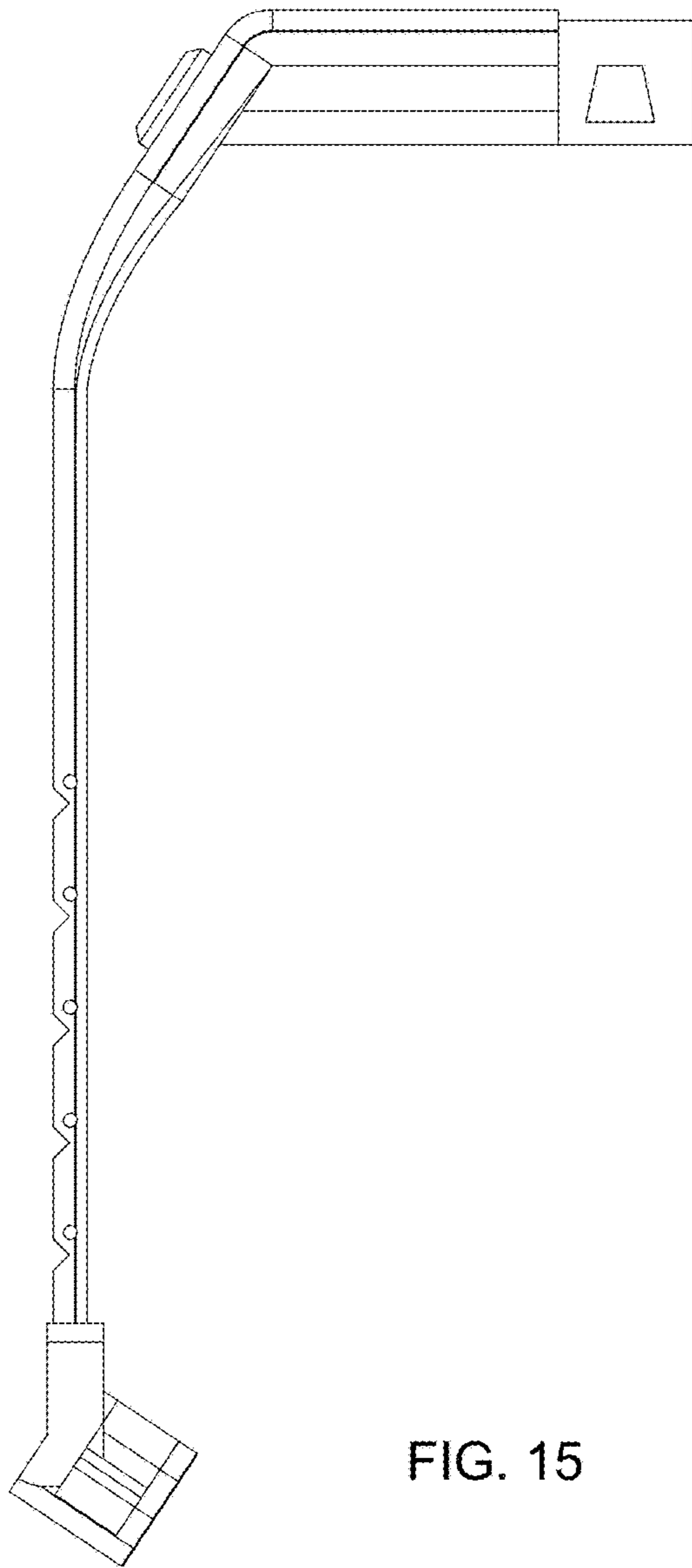


FIG. 15

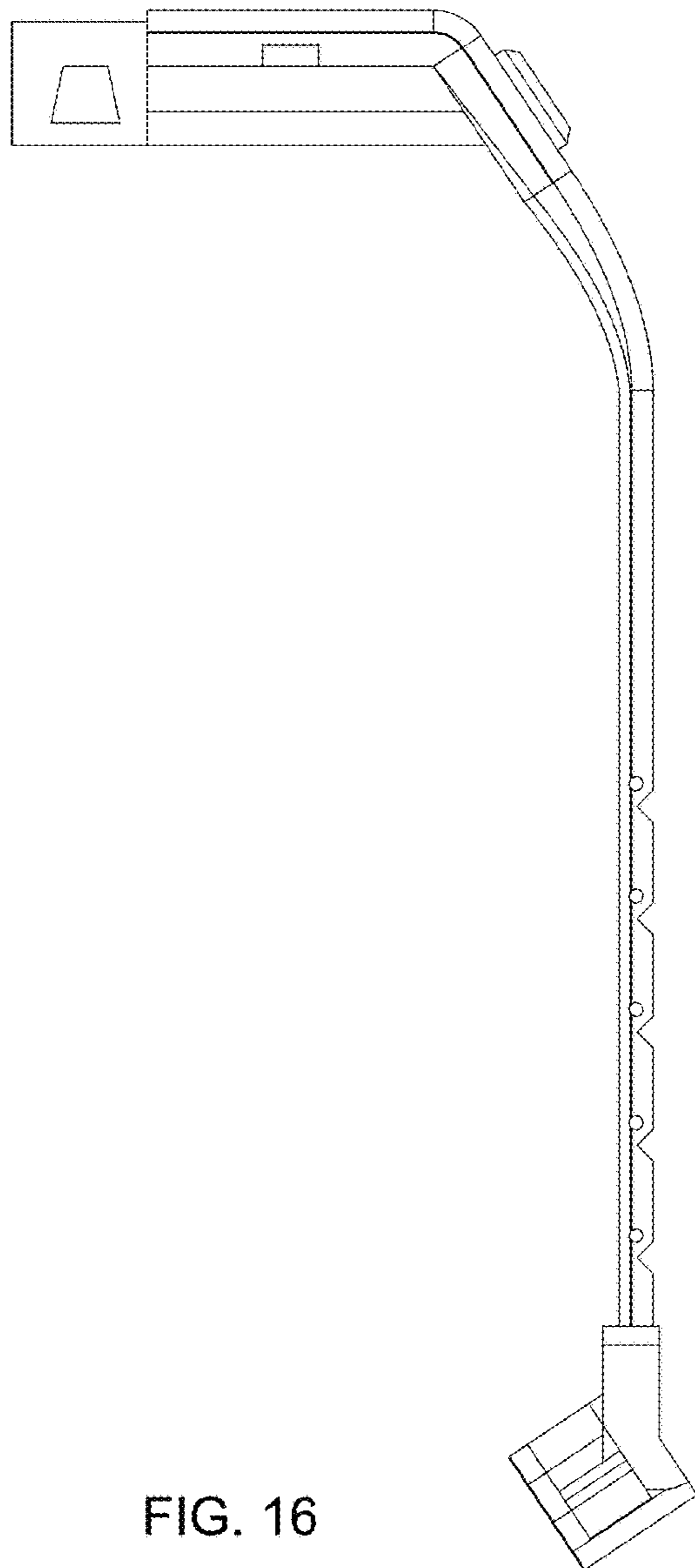


FIG. 16