



US00D859411S

(12) **United States Design Patent**
Bidwell et al.

(10) **Patent No.:** **US D859,411 S**

(45) **Date of Patent:** **** Sep. 10, 2019**

(54) **OPTICAL SCANNER**

(71) Applicant: **Hand Held Products, Inc.**, Fort Mill, SC (US)

(72) Inventors: **Dean J. Bidwell**, Renton, WA (US); **John S. Bandringa**, Everett, WA (US); **Roger Jackson**, Lake Forest Park, WA (US); **Tim Zurmoehle**, Seattle, WA (US); **William Herweh, III**, Seattle, WA (US); **Churu Yun**, Seattle, WA (US); **Matthew McElvogue**, Seattle, WA (US); **Rajat Shail**, Chicago, IL (US)

(73) Assignee: **HAND HELD PRODUCTS, INC.**, Fort Mill, SC (US)

(**) Term: **15 Years**

(21) Appl. No.: **29/572,904**

(22) Filed: **Aug. 1, 2016**

(51) **LOC (12) Cl.** **14-02**

(52) **U.S. Cl.**
USPC **D14/420**

(58) **Field of Classification Search**
USPC D14/420, 426-430, 453, 233, 169, 172, D14/204, 216, 496, 358, 251, 240, 203.1, D14/356; 235/462.01, 462.11, 462.43, 235/462.45, 462.49, 472.01, 385, 454; 382/313, 321, 318; 358/473; 250/215, 250/216; D26/37-50, 24, 104, 107, 108,
(Continued)

(56) **References Cited**

U.S. PATENT DOCUMENTS

D50,730 S * 5/1917 Hoche D10/2
1,314,549 A * 9/1919 Tobel A01K 97/10
248/511

(Continued)

OTHER PUBLICATIONS

Bidwell et al., "Headset", Design U.S. Appl. No. 29/572,887, filed Aug. 1, 2016, 73 pages, [Not yet published/granted].

(Continued)

Primary Examiner — Susan Moon Lee

(74) *Attorney, Agent, or Firm* — Alston & Bird LLP

(57) **CLAIM**

The ornamental design for an optical scanner, as shown in the accompanying drawings and described above.

DESCRIPTION

FIG. 1 is a top, front perspective view of an optical scanner in accordance with the present invention.

FIG. 2 is a bottom, front perspective view of the optical scanner of FIG. 1.

FIG. 3 is a bottom, rear perspective view of the optical scanner of FIG. 1.

FIG. 4 is a front elevation view of the optical scanner of FIG. 1.

FIG. 5 is a rear elevation view of the optical scanner of FIG. 1.

FIG. 6 is a right elevation view of the optical scanner of FIG. 1.

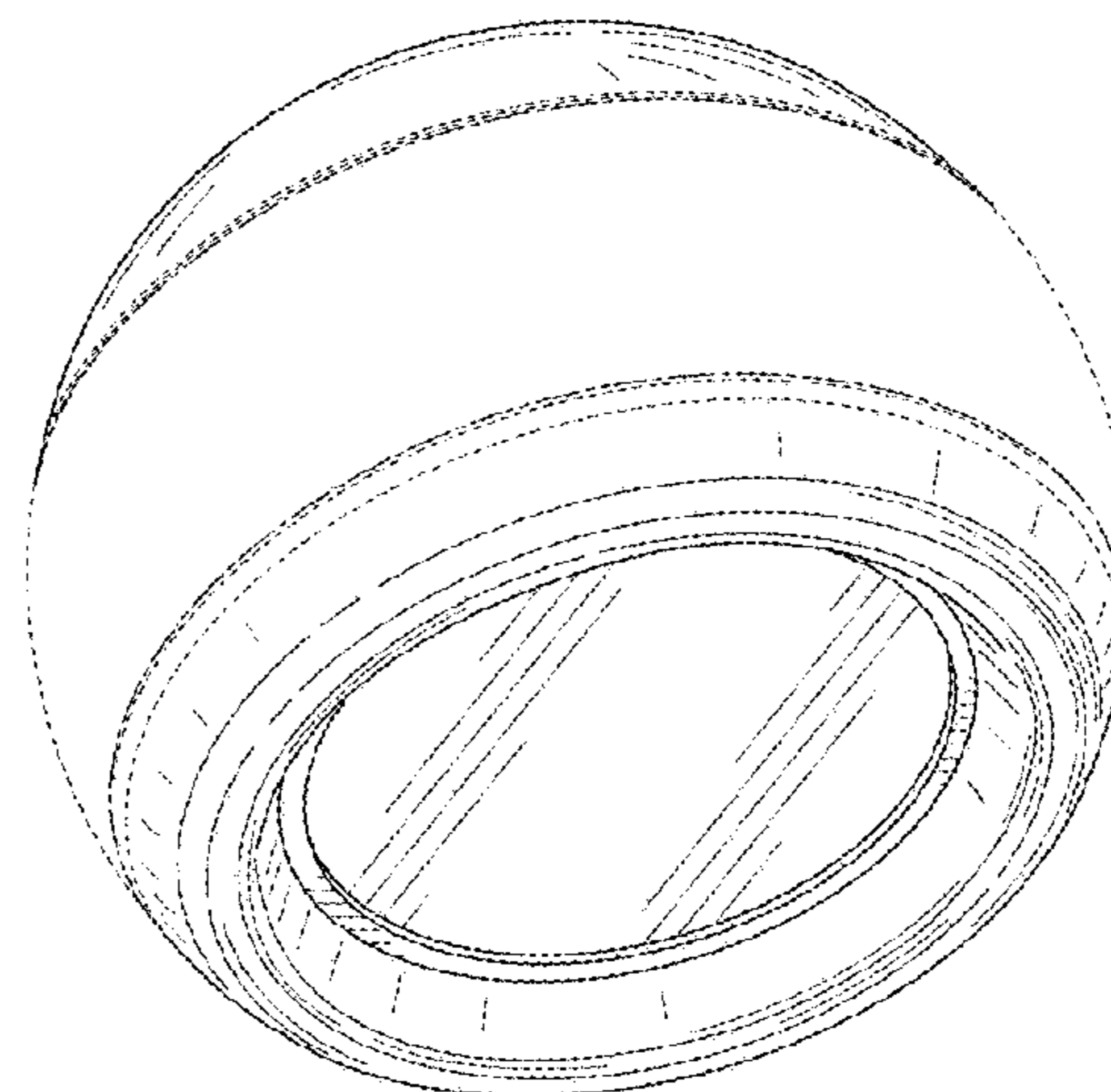
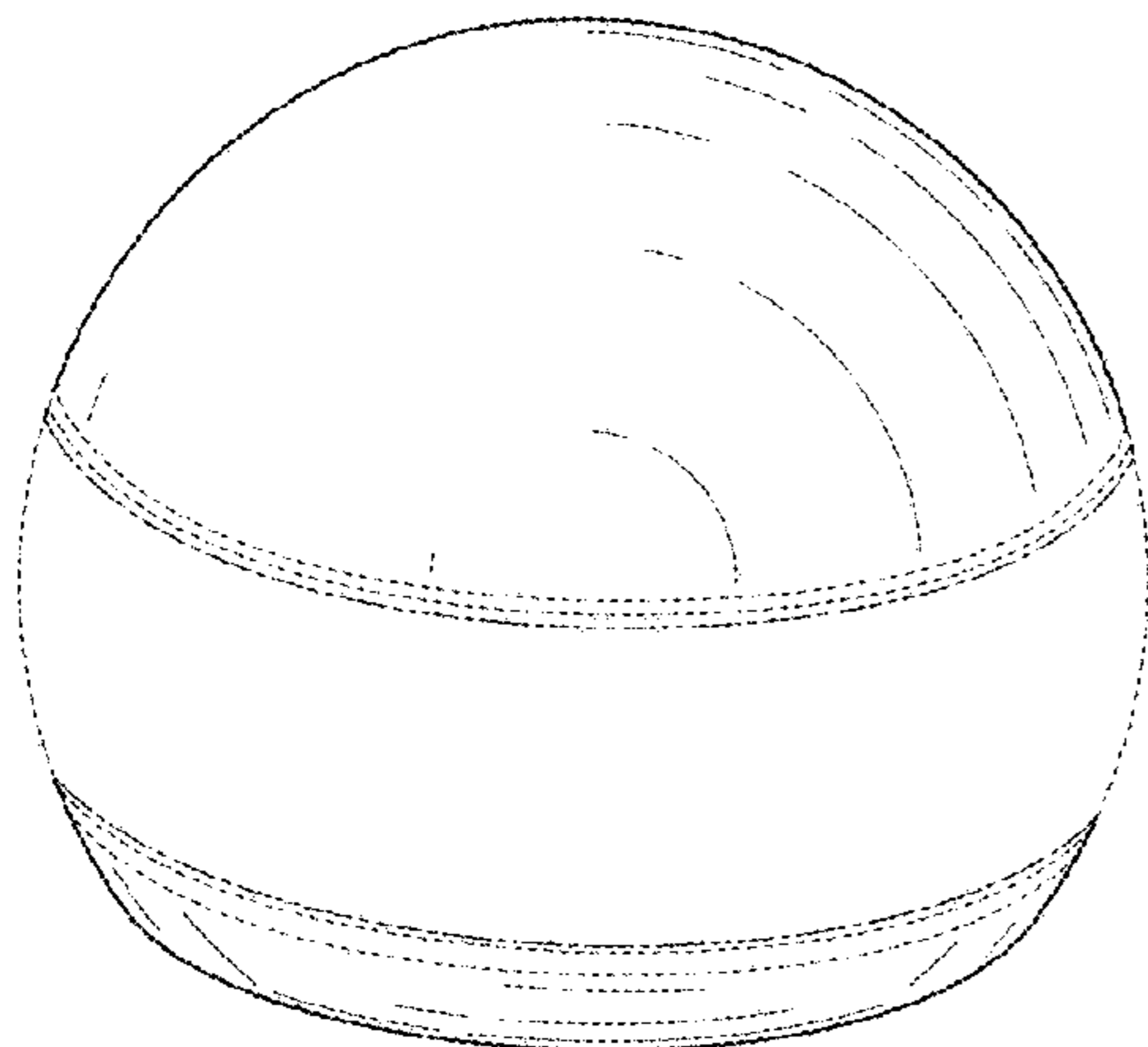
FIG. 7 is a left elevation view of the optical scanner of FIG. 1.

FIG. 8 is a top plan view of the optical scanner of FIG. 1; and,

FIG. 9 is a bottom plan view of the optical scanner of FIG. 1.

The broken lines shown herein are for illustrative purposes and form no part of the claimed design. For example, the broken lines in the form of an alternating series of relatively short dashes and relatively long dashes represent bounds of the claimed design.

1 Claim, 9 Drawing Sheets



US D859,411 S

(58) Field of Classification Search

USPC D26/61-63, 118, 128; 362/157, 158,
 362/171-174, 183-208; 396/427;
 D16/200, 202-204, 208, 210, 214, 221,
 D16/225; D19/1, 61; D21/713, 707,
 D21/505, 398, 386, 498, 479, 499;
 D30/160, 121, 110, 108, 117, 124, 127,
 D30/128; 119/707-711, 51.01, 51.11,
 119/51.13, 51.15; 434/214, 278; 211/1;
 273/155; 342/8; 428/66.5, 9; 446/199,
 446/92, 85; 473/569; D3/271.1;
 D9/430, 651, 519, 504, 435, 454, 545;
 D24/214; 606/204; D23/366, 368;
 D10/70, 22, 23, 106.6, 104.1, 106.7,
 D10/106.8
 CPC G06K 7/10584; G06K 7/10613; G06K
 7/10881; G06K 7/109; G06K 7/10693;
 G06K 7/10871; G06K 7/1096; G06K
 7/10; G06K 7/10564; G06K 7/10594;
 G06K 7/10603; G06K 7/10663; G06K
 7/10673; G06K 7/107; G06K 7/02; G06K
 7/10792; G06K 7/10633; G06K 7/10653;
 G06K 7/10891; G06K 7/14; G06K
 7/1443; G06K 7/10801; G06K 7/10811;
 G06K 7/10851; G06K 7/10861; G06K
 2207/1011; G06K 2207/1012; G06K
 2207/1013; G06K 2207/1016; G06K
 2207/1017; G06K 2207/1018; G06K
 2207/10534; G06K 17/0022; A47F 9/046;
 A47F 9/047; G07G 1/0045; G04N
 5/23238; G04N 5/2252; G04N 5/2251;
 G03B 17/02; B25H 5/00; B66F 7/28;
 G02B 26/10; G02B 26/106; G07F
 11/002; G07F 11/02; G06Q 20/343; G06F
 2203/0331

See application file for complete search history.

(56) References Cited

U.S. PATENT DOCUMENTS

2,014,022 A * 9/1935 Klein A61H 9/005
 601/6
 D98,769 S * 3/1936 Horwitt D10/15
 D111,886 S * 10/1938 Zagel D26/29
 D112,545 S * 12/1938 Younghusband D9/435
 D118,671 S * 1/1940 Mielziner D26/63
 2,243,712 A * 5/1941 Levy F21V 21/30
 362/275
 D127,833 S * 6/1941 Price D26/63
 D128,967 S * 8/1941 Peterson D26/29
 2,271,836 A * 2/1942 Francis F21V 3/00
 362/344
 D134,595 S * 12/1942 Van Es D26/63
 D136,524 S * 10/1943 Swainson D9/418
 D153,420 S * 4/1949 Dekanski D10/15
 D175,498 S * 9/1955 Easton D7/540
 2,745,642 A * 5/1956 Hermann A47J 43/24
 206/1.5
 2,784,512 A * 3/1957 Goodwin A47G 33/08
 220/4.21
 2,836,339 A * 5/1958 Pringle B65D 5/2019
 206/521
 2,881,552 A * 4/1959 Miller A01K 93/00
 24/115 G
 2,881,850 A * 4/1959 Bonn H04R 1/288
 181/153
 D186,892 S * 12/1959 Wilber D14/211
 2,918,568 A * 12/1959 Steber F21V 17/00
 362/410

3,026,955 A * 3/1962 Wilber H04R 1/021
 181/153
 3,119,621 A * 1/1964 Bookman A63F 9/0406
 273/145 C
 3,168,315 A * 2/1965 Bookman A63F 9/0406
 273/145 C
 3,170,538 A * 2/1965 Detrick F21V 33/0056
 181/141
 3,179,791 A * 4/1965 Mole F21S 10/02
 362/283
 D210,538 S * 3/1968 Lahti D14/213
 3,385,929 A * 5/1968 Magyar F16M 11/08
 181/145
 D211,644 S * 7/1968 Sterkenburg D14/228
 3,435,910 A * 4/1969 Lahti H04R 1/021
 181/152
 D223,962 S * 6/1972 McQuarrie D14/169
 D224,233 S * 7/1972 Fujta D14/371
 D227,615 S * 7/1973 Chambon D28/13
 D229,973 S * 1/1974 Houlihan D14/188
 D230,954 S * 3/1974 Gregoriotti D9/504
 3,797,123 A * 3/1974 Fraley A63B 47/008
 33/501
 3,812,301 A * 5/1974 Lahti G10K 11/28
 181/153
 3,824,001 A * 7/1974 Rosenberg A45D 42/00
 248/474
 D232,858 S * 9/1974 Husby D26/71
 3,847,305 A * 11/1974 Tobin A47F 3/145
 222/166
 D234,799 S * 4/1975 Robson D14/172
 D238,098 S * 12/1975 Fink D14/192
 D241,054 S * 8/1976 Fortier D21/498
 3,976,838 A * 8/1976 Stallings, Jr. H04R 1/02
 381/386
 D246,317 S * 11/1977 Heath D23/369
 D247,898 S * 5/1978 Plomp D14/245
 D260,299 S * 8/1981 D'Ercoli D26/63
 D276,703 S * 12/1984 Au D10/15
 D281,066 S * 10/1985 Humble D14/215
 D285,978 S * 9/1986 Rice D26/107
 D286,858 S * 11/1986 Giorgio D9/418
 D291,363 S * 8/1987 Schmidt D26/87
 D292,311 S * 10/1987 Joyaux D23/366
 4,760,774 A * 8/1988 Lin A47J 31/0573
 99/281
 4,765,501 A * 8/1988 Kao B65D 11/02
 220/4.21
 4,865,153 A * 9/1989 Toyoda A63J 17/00
 181/153
 D312,408 S * 11/1990 Isobe D10/15
 D315,562 S * 3/1991 Brown D14/213
 D318,613 S * 7/1991 Halm D23/366
 D319,120 S * 8/1991 Kuhn D32/52
 D319,583 S * 9/1991 Halm D23/366
 D324,049 S * 2/1992 Endo D14/228
 D324,106 S * 2/1992 Greenblatt D24/200
 D326,656 S * 6/1992 Koza D14/207
 D326,778 S * 6/1992 Vetter 401/288
 D333,155 S * 2/1993 Hiromori D19/65
 D333,784 S * 3/1993 Goodman D3/302
 D336,880 S * 6/1993 Drummond D12/162
 D339,986 S * 10/1993 Garouste D9/519
 D353,296 S * 12/1994 Assmann D7/309
 D358,350 S * 5/1995 Bedrosian D10/104.1
 D367,207 S * 2/1996 Lutzker D32/29.1
 5,585,616 A * 12/1996 Roxby G06K 7/10722
 235/454
 D390,612 S * 2/1998 Brakefield D16/225
 D390,778 S * 2/1998 Lee D3/271.9
 D392,805 S * 3/1998 Petersen Whitcomb D6/300
 D393,016 S * 3/1998 Young D11/131
 D395,715 S * 6/1998 Queen D16/203
 D395,833 S * 7/1998 Richter D10/68
 5,792,496 A * 8/1998 Fekete A23G 3/50
 220/4.21
 D398,774 S * 9/1998 Yu D3/209
 D404,681 S * 1/1999 Galerneau D11/121

(56)

References Cited

U.S. PATENT DOCUMENTS

D407,518	S *	3/1999	Yeh	D26/63	D563,412	S *	3/2008	Faurous	D14/408
D408,285	S *	4/1999	Favre	D28/76	D564,900	S *	3/2008	Green	D9/504
D411,132	S *	6/1999	Hornsby	D11/79	D567,673	S *	4/2008	Chu	D10/15
D414,573	S *	9/1999	Hussaini	D26/29	D568,161	S *	5/2008	Delli Venneri	D9/504
D420,403	S *	2/2000	Bart	D21/398	D572,236	S *	7/2008	Oxford	D14/211
D422,692	S *	4/2000	Quinones	D22/112	D572,535	S *	7/2008	El-Ghouyel	D7/500
D422,847	S *	4/2000	Hansen	D7/606	D575,165	S *	8/2008	Billings	D21/588
D430,142	S *	8/2000	Kuo	D14/211	D575,433	S *	8/2008	Nunes	D26/62
D430,358	S *	8/2000	Papiernik	D28/91.1	D577,868	S *	9/2008	Rutherford	D30/160
D434,514	S *	11/2000	Wachter	D26/63	D578,002	S *	10/2008	Canamasas Puigbo	D9/519
D440,557	S *	4/2001	Su	D14/215	D580,112	S *	11/2008	Stiles	D21/713
D445,831	S *	7/2001	Lindner	D19/162	D584,289	S *	1/2009	Lee	D14/216
6,257,492	B1 *	7/2001	Bressler	A47F 9/046 235/462.43	D584,290	S *	1/2009	Lee	D14/216
6,368,176	B1 *	4/2002	Lozowski	A63H 5/00 446/169	D588,022	S *	3/2009	Hocherman	D10/15
D460,362	S *	7/2002	Kalman	D10/1	D593,543	S *	6/2009	Lui	D14/216
D460,920	S *	7/2002	Kalman	D10/22	D596,306	S *	7/2009	Levine	D24/214
D460,952	S *	7/2002	Kataoka	D14/126	D601,564	S *	10/2009	Maeno	D14/400
D464,571	S *	10/2002	Hill	D9/519	D602,311	S *	10/2009	Finell	D7/629
D465,733	S *	11/2002	Hill	D9/519	D602,915	S *	10/2009	Song	D14/218
D467,186	S *	12/2002	Chen	D10/15	D603,441	S *	11/2009	Wada	D16/203
D467,238	S *	12/2002	Hlas	D14/216	D605,335	S *	12/2009	Thun	D26/88
D468,654	S *	1/2003	Wunsch	D10/104.1	D605,337	S *	12/2009	Zhang	D26/93
D471,553	S *	3/2003	Nybank	D14/403	D606,515	S *	12/2009	Ludlum	D14/207
6,555,069	B1 *	4/2003	Ferguson	F23D 3/24 239/44	D606,516	S *	12/2009	Siegrist	D14/216
D476,095	S *	6/2003	Baarman	D26/2	D606,699	S *	12/2009	Wei	D26/80
D477,022	S *	7/2003	Rosenbaum	D19/179	D609,853	S *	2/2010	Salatto-Rose	D26/107
D478,813	S *	8/2003	Beene	D9/519	D611,034	S *	3/2010	Pineau	D14/211
D478,890	S *	8/2003	Ng	D14/170	D612,245	S *	3/2010	Canamasas Puigbo	D9/519
D480,000	S *	9/2003	Hirato	D9/504	D613,103	S *	4/2010	Misir	D6/542
6,644,834	B2 *	11/2003	Christen	F21S 9/02 362/307	D615,693	S *	5/2010	Thun	D26/88
D484,229	S *	12/2003	Upson	D23/366	D616,415	S *	5/2010	Lum	D14/188
D484,486	S *	12/2003	Solland	D14/207	D617,674	S *	6/2010	Nakamura	D11/121
D484,585	S *	12/2003	Upson	D23/366	D617,930	S *	6/2010	Chen	D26/60
D487,111	S *	2/2004	Rosenbaum	D19/201	D618,209	S *	6/2010	Andre	D14/205
D487,737	S *	3/2004	Lewis	D14/215	D618,210	S *	6/2010	Andre	D14/205
D487,739	S *	3/2004	Wise	D14/225	D623,328	S *	9/2010	Huang	D26/63
D488,166	S *	4/2004	Daniels	D10/104.1	D623,436	S *	9/2010	Lau	D6/674
D497,612	S *	10/2004	Olson	D14/216	D626,000	S *	10/2010	Chertoff	D9/451
D500,998	S *	1/2005	Inoue	D14/171	D626,939	S *	11/2010	Chen	D14/216
D501,460	S *	2/2005	Inoue	D14/171	D628,223	S *	11/2010	Kao	D16/202
D505,749	S *	5/2005	Angeletta	D28/7	D631,204	S *	1/2011	Dubitsky	D28/82
D510,926	S *	10/2005	Jerome	D14/168	D632,414	S *	2/2011	Croce	D26/63
D514,548	S *	2/2006	Chan	D14/216	D640,142	S *	6/2011	Bedol	D10/15
D519,112	S *	4/2006	Yang	D14/228	D644,427	S *	9/2011	Cunningham	D3/208
D524,799	S *	7/2006	Hibi	D14/216	D645,186	S *	9/2011	Sabernig	D26/63
D525,880	S *	8/2006	Okamura	D10/15	D645,846	S *	9/2011	Mordechai	D14/216
D526,644	S *	8/2006	Breit	D14/216	D646,429	S *	10/2011	Sabernig	D26/128
D527,008	S *	8/2006	Greenrod	D14/420	D647,508	S *	10/2011	Lee	D14/216
D528,257	S *	9/2006	Leclerc	D34/1	D650,280	S *	12/2011	de Peyerimhoff	D9/454
7,104,656	B2 *	9/2006	Dwyer	H04N 9/3141 348/E5.143	D655,168	S *	3/2012	In	D9/504
D529,397	S *	10/2006	Lavigne	D9/689	D656,829	S *	4/2012	Watabe	D9/444
D531,061	S *	10/2006	Oas	D10/15	D659,680	S *	5/2012	Kim	D14/216
7,149,152	B1 *	12/2006	Chan	G03B 29/00 368/79	D659,736	S *	5/2012	Cheng	D16/225
D537,436	S *	2/2007	Lye	D14/211	D660,502	S *	5/2012	Mancini	D26/83
D539,251	S *	3/2007	Heath	D14/137	D661,540	S *	6/2012	Facey	D7/354
D540,291	S *	4/2007	Heath	D14/137	D662,122	S *	6/2012	Goodwin	D16/208
D541,228	S *	4/2007	Thursfield	D13/168	D663,731	S *	7/2012	Pajic	D14/408
D541,260	S *	4/2007	Christianson	D14/215	D670,040	S *	10/2012	Aboujaoude	D30/117
D547,430	S *	7/2007	Low	D21/713	D674,103	S *	1/2013	Smith	D24/197
D552,054	S *	10/2007	Pena Angarita	D14/496	D676,423	S *	2/2013	Joseph	D14/216
D552,084	S *	10/2007	Chapman	D14/216	D678,929	S *	3/2013	Hancock	D16/202
D552,473	S *	10/2007	Simkin	D9/516	8,444,337	B2 *	5/2013	Teller	A45D 40/00 401/88
D552,649	S *	10/2007	Logan	D16/200	8,457,339	B2 *	6/2013	Li	H04R 1/2811 381/337
D554,529	S *	11/2007	Green	D9/726	D690,872	S *	10/2013	Meise	D26/88
D554,682	S *	11/2007	Martinez	D16/203	D690,873	S *	10/2013	Meise	D26/88
D556,753	S *	12/2007	Chiu	D14/358	D692,547	S *	10/2013	Wirz	D23/366
D557,258	S *	12/2007	Steindl	D14/216	D692,551	S *	10/2013	Wirz	D23/366
D561,030	S *	2/2008	Simkin	D9/519	D696,298	S *	12/2013	Britt, Jr.	D14/496
					D696,555	S *	12/2013	Kolano	D7/590
					D698,909	S *	2/2014	Chou	D23/366
					D698,984	S *	2/2014	Meise	D26/107
					D699,674	S *	2/2014	Man	D13/108
					D700,591	S *	3/2014	Xiao	D14/216
					D703,364	S *	4/2014	Meise	D26/87
					D705,844	S *	5/2014	Bart	D16/203
					D707,561	S *	6/2014	You	D9/454
					D711,351	S *	8/2014	Breines	D14/215

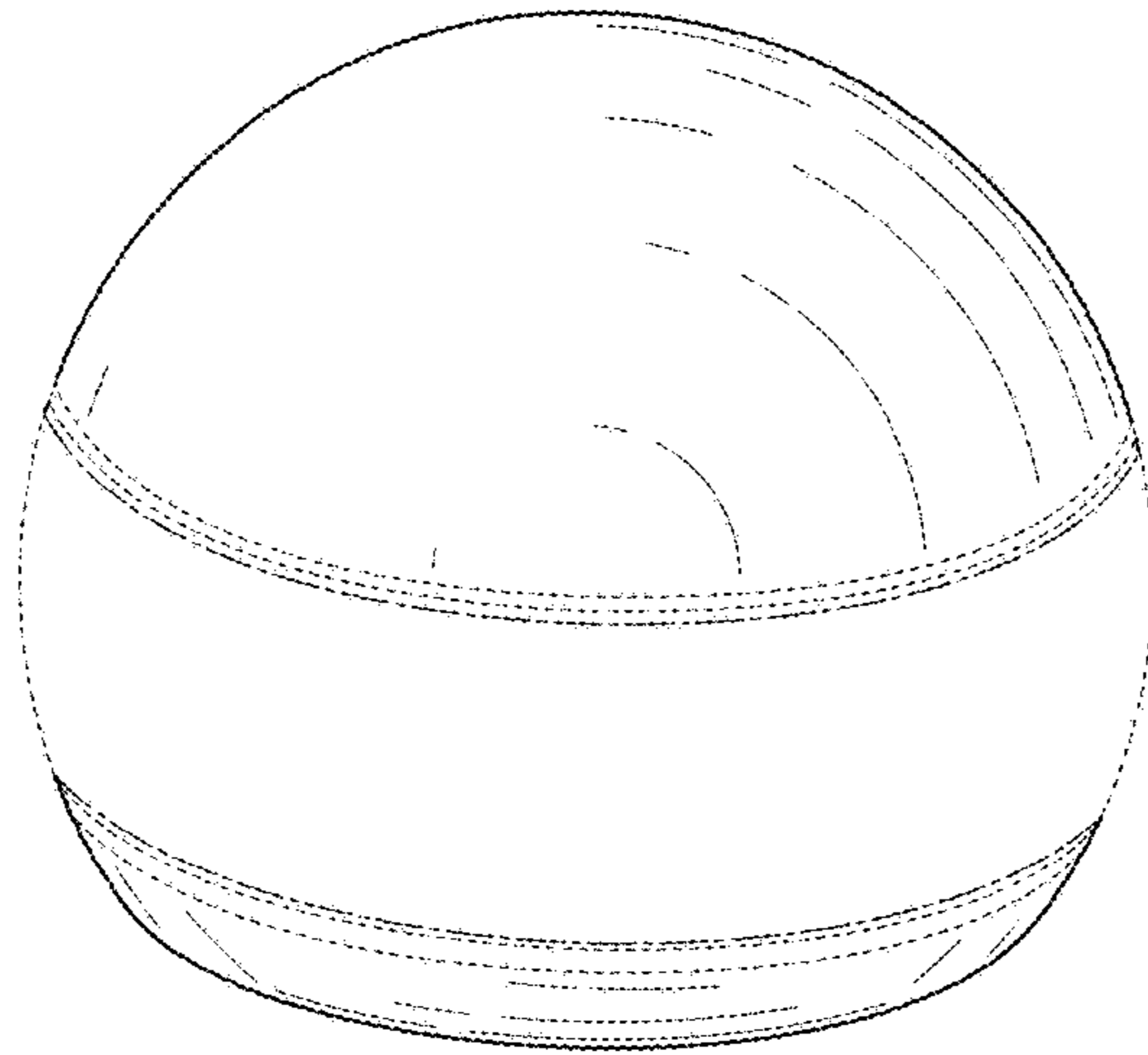


FIG. 1

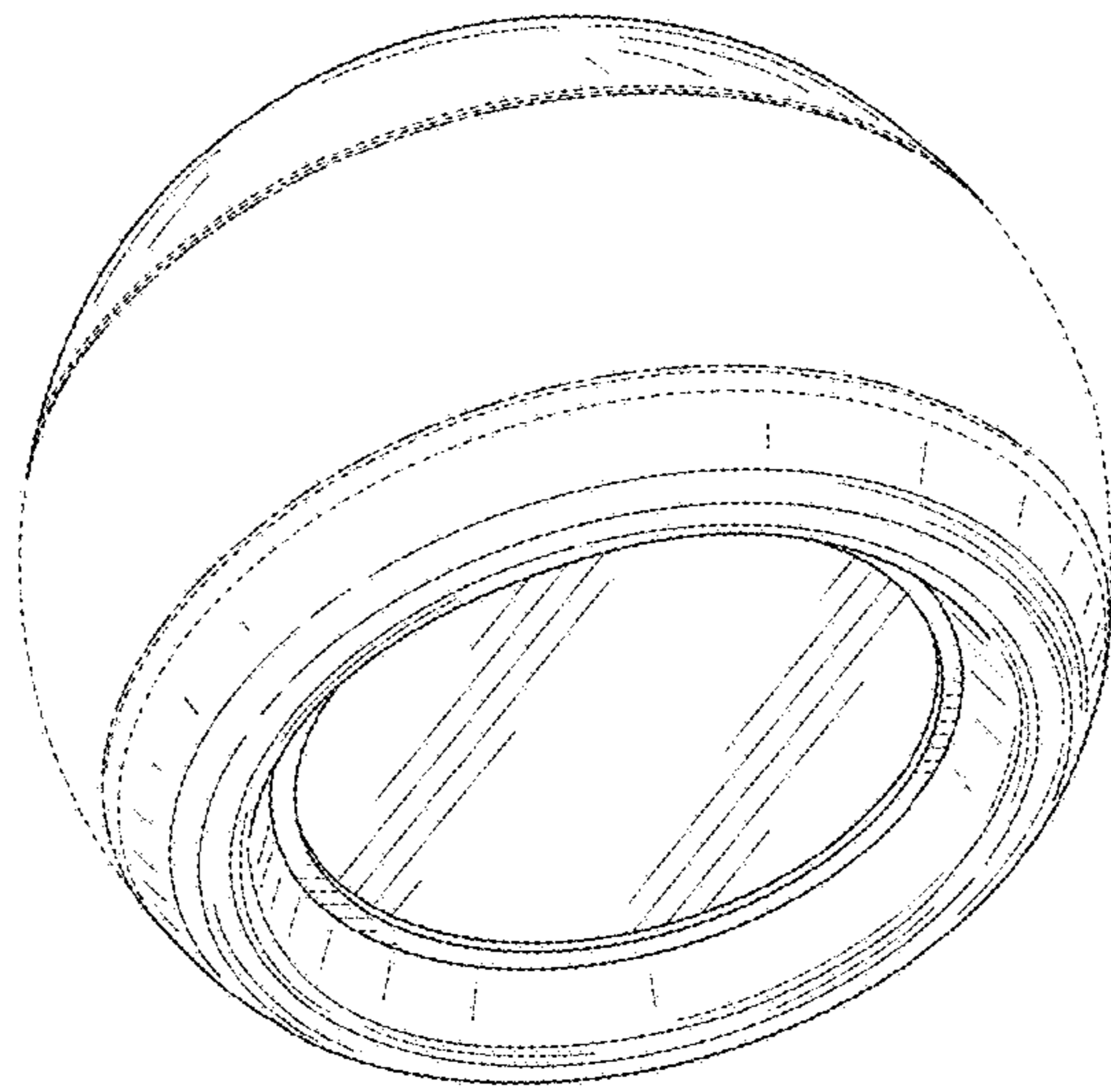


FIG. 2

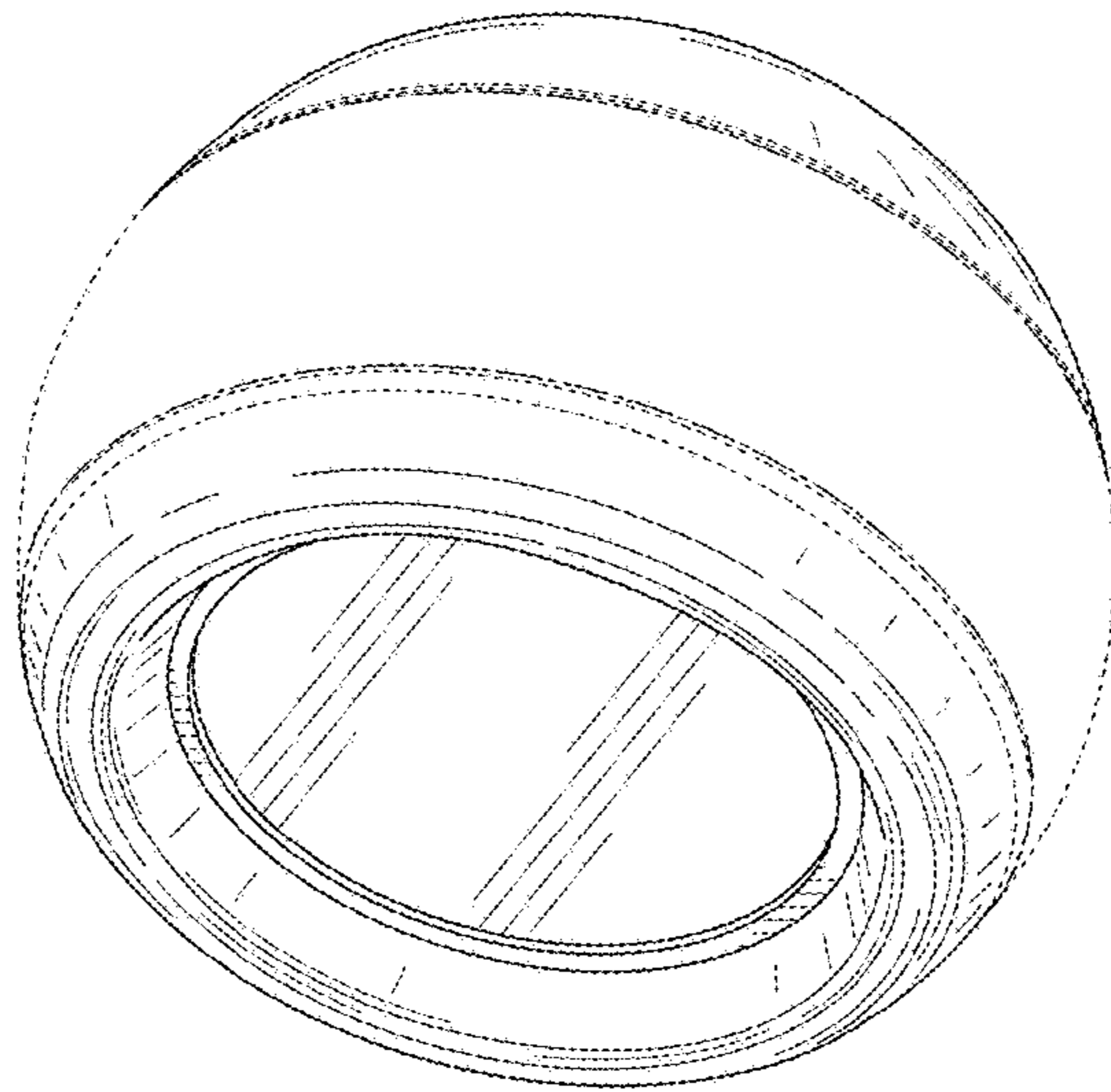


FIG. 3

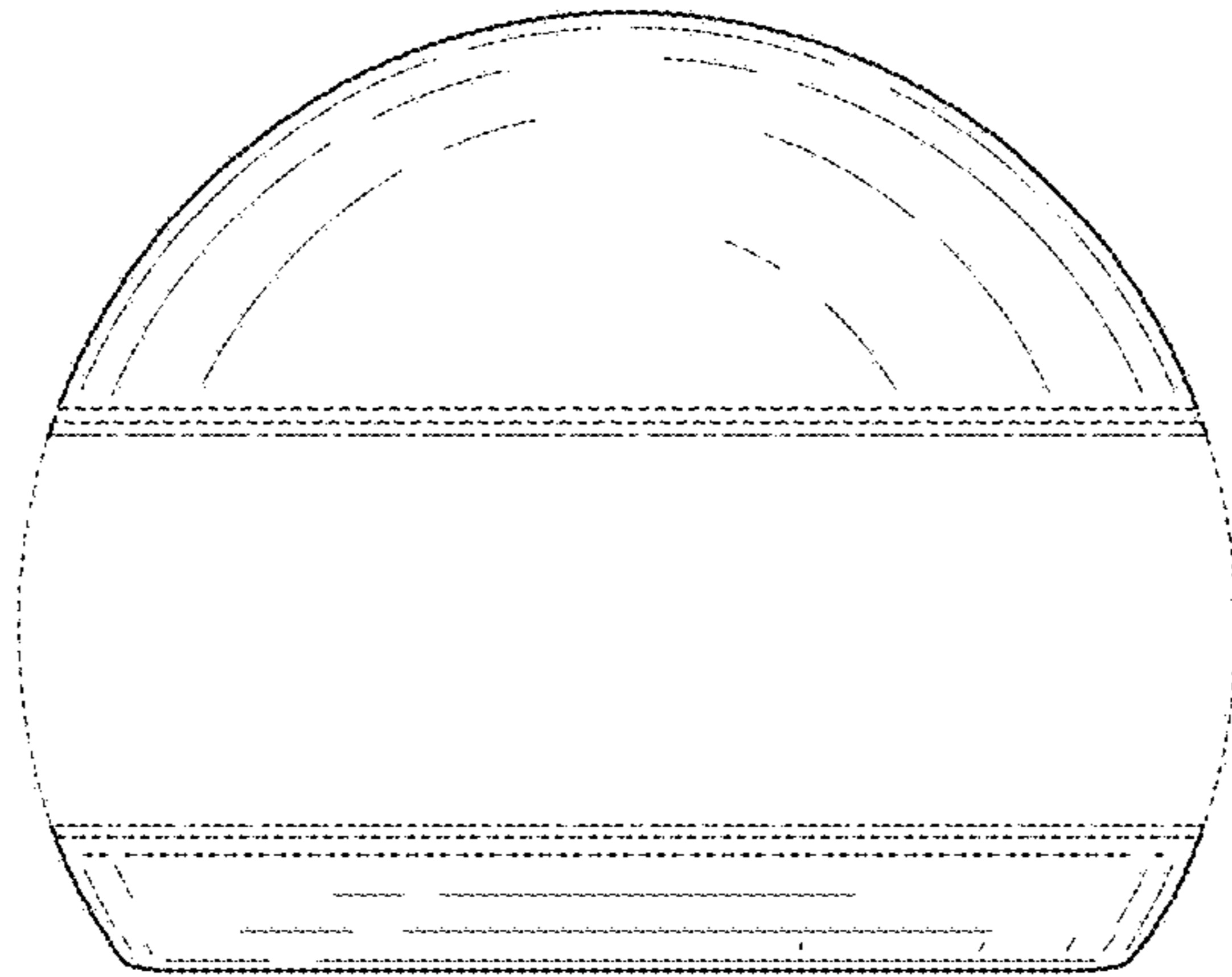


FIG. 4

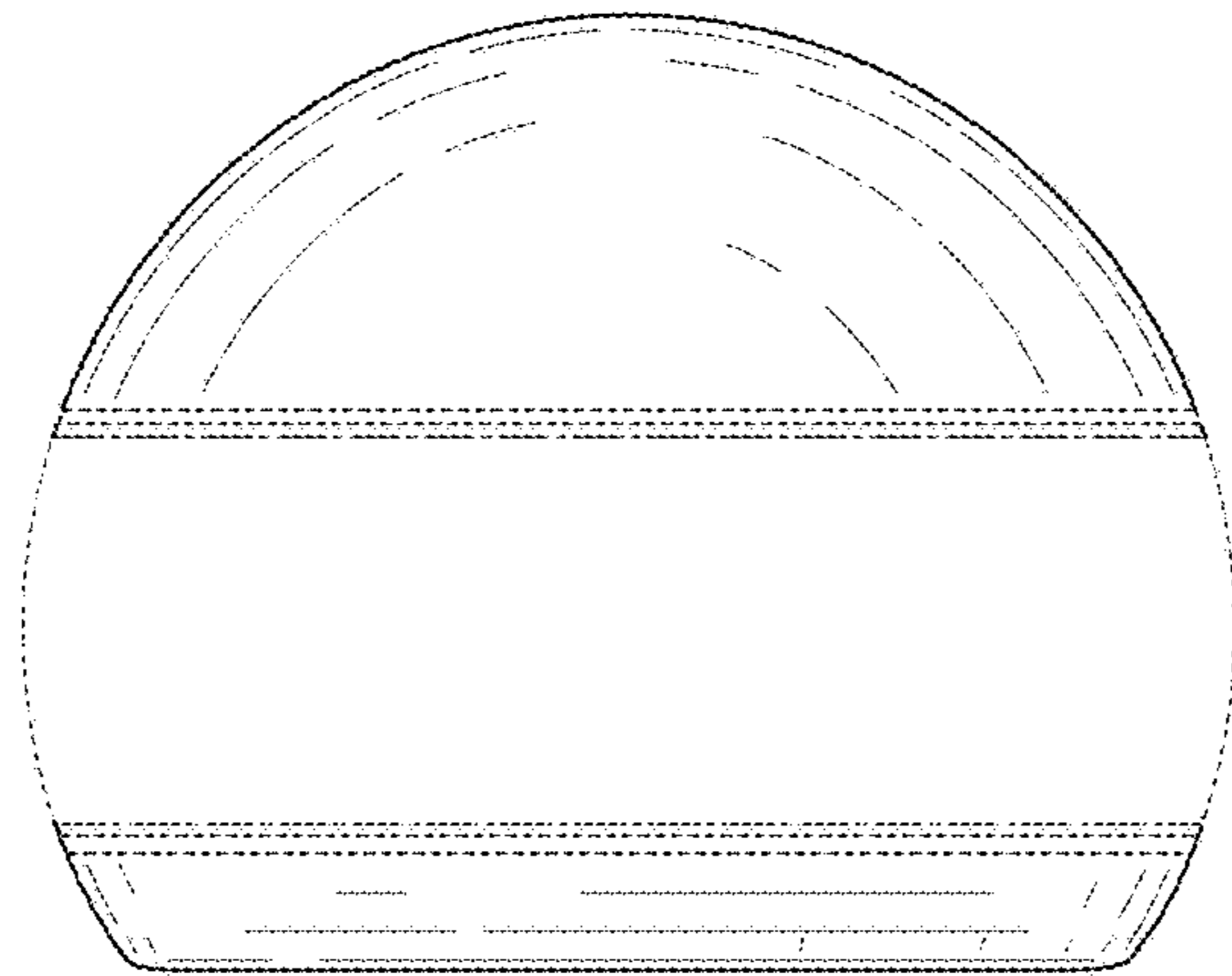


FIG. 5

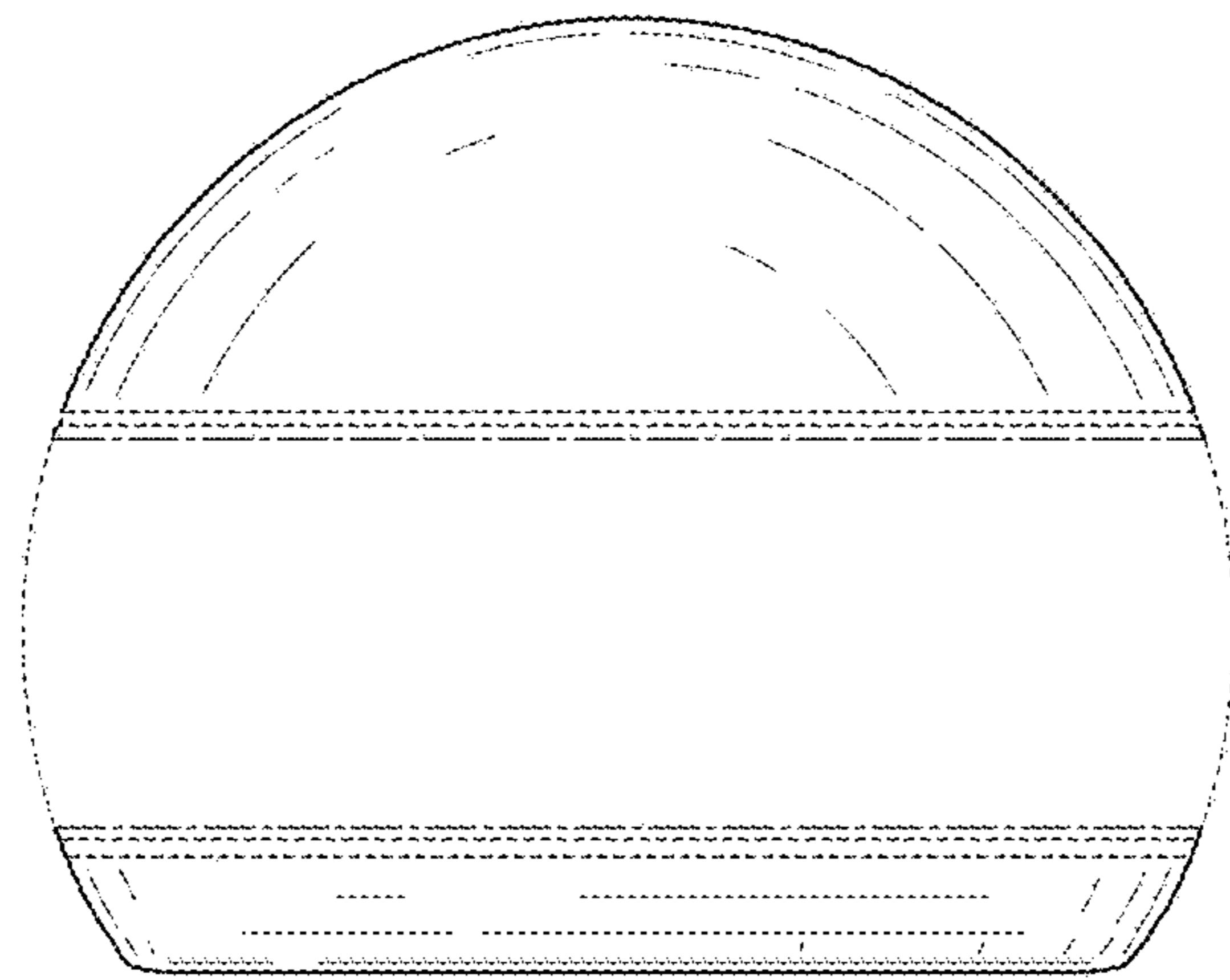


FIG. 6

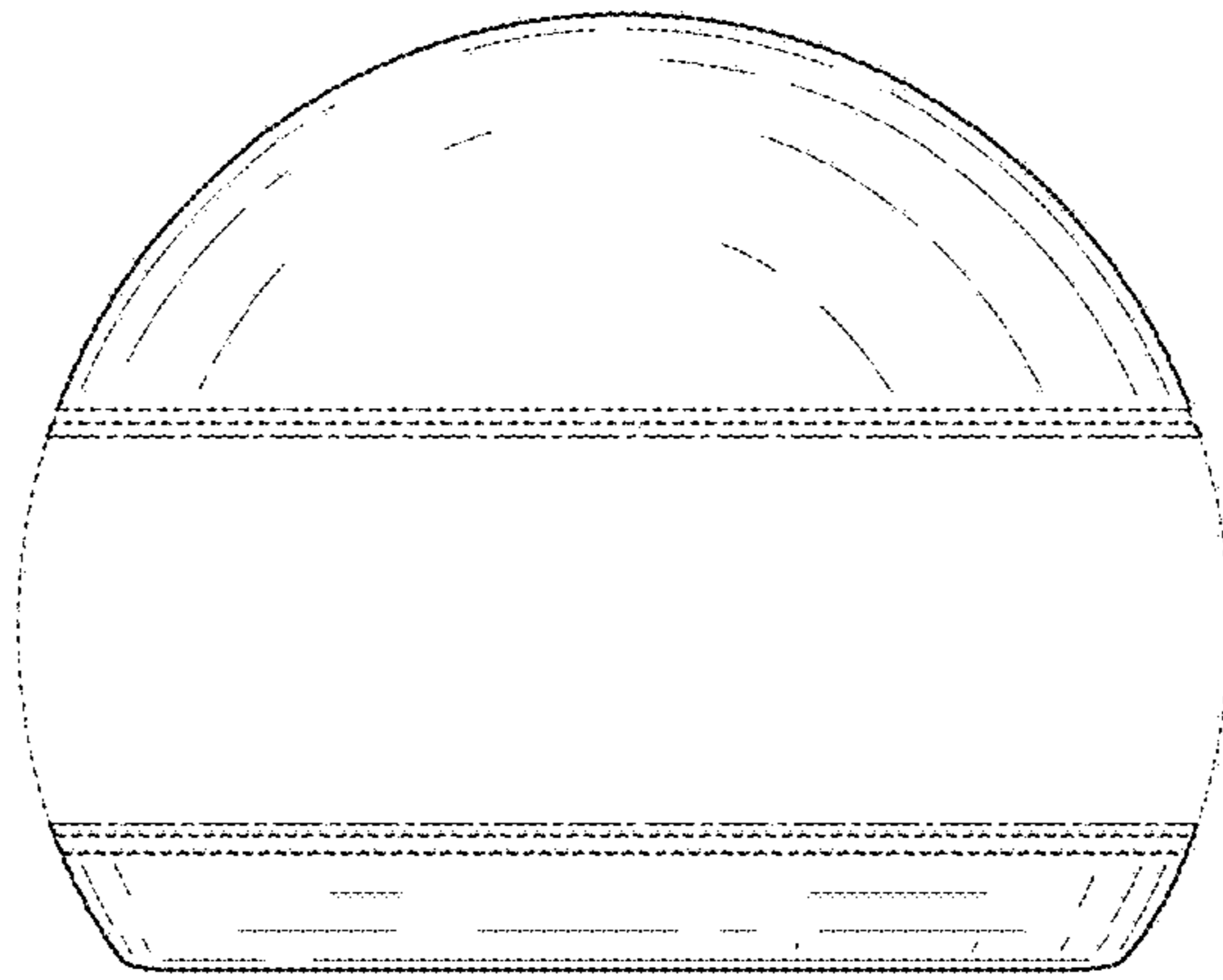


FIG. 7

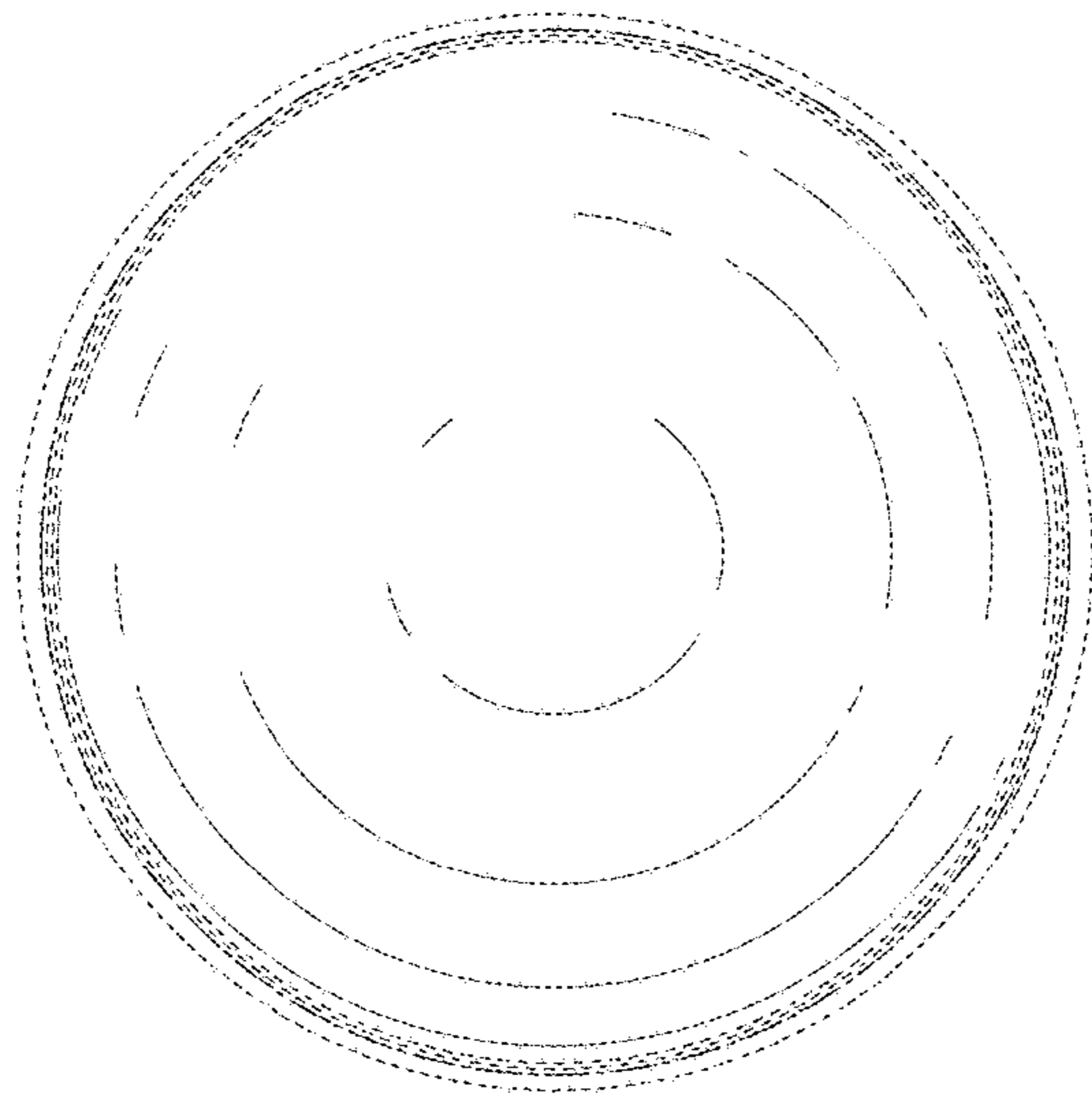


FIG. 8

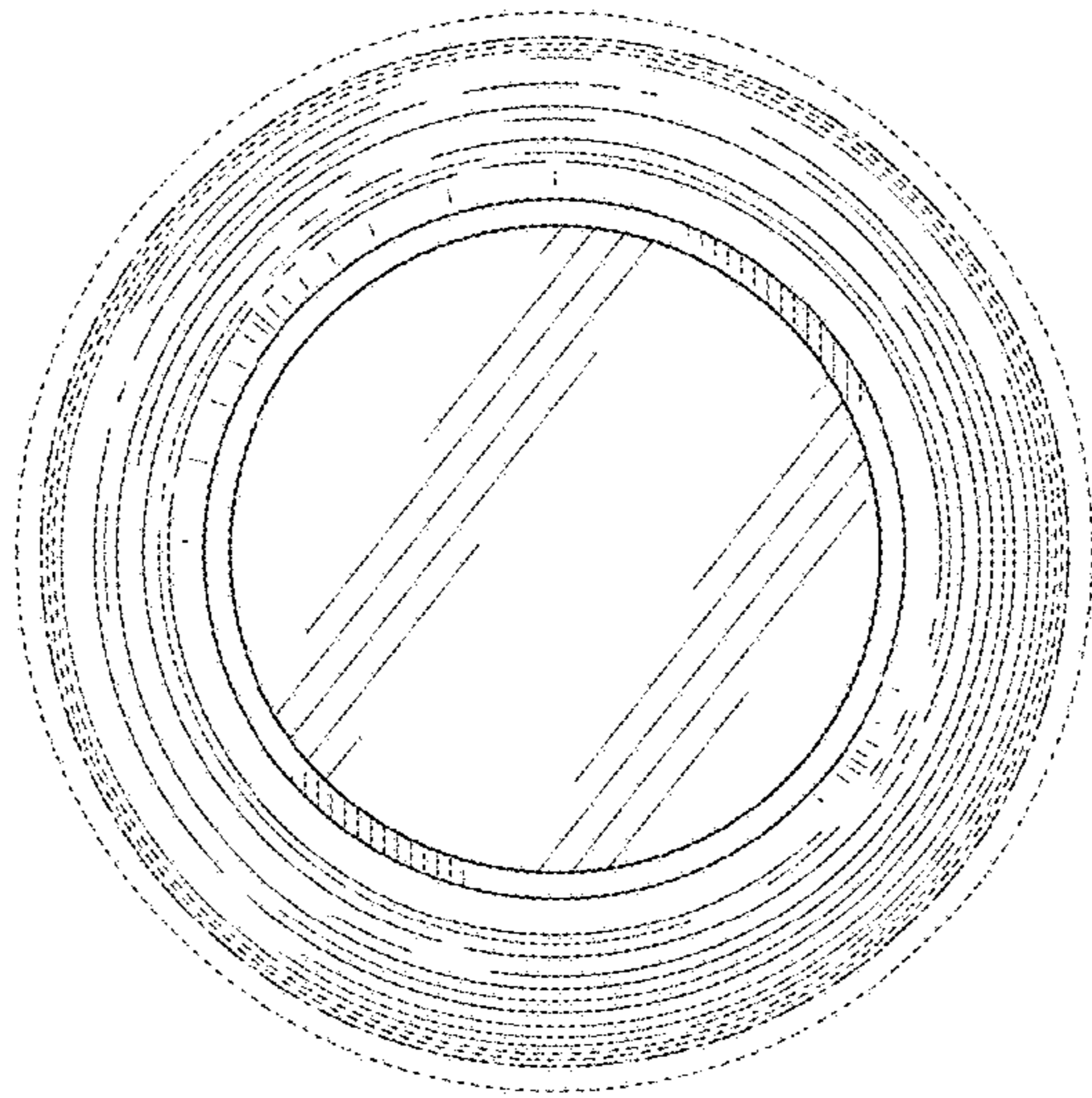


FIG. 9