



US00D859410S

(12) **United States Design Patent**  
**Tsujikawa et al.**

(10) **Patent No.:** **US D859,410 S**

(45) **Date of Patent:** **\*\* Sep. 10, 2019**

(54) **DATA INPUT MACHINE**

(71) Applicant: **Fujitsu Frontech Limited**, Tokyo (JP)

(72) Inventors: **Akinori Tsujikawa**, Tokyo (JP);  
**Hiroyuki Tanaka**, Tokyo (JP); **Takumi Kaiya**, Tokyo (JP)

(73) Assignee: **Fujitsu Frontech Limited**, Tokyo (JP)

(\*\*) Term: **15 Years**

(21) Appl. No.: **29/647,866**

(22) Filed: **May 16, 2018**

(30) **Foreign Application Priority Data**

Dec. 21, 2017 (JP) ..... 2017-028494

(51) **LOC (12) Cl.** ..... **14-02**

(52) **U.S. Cl.**  
USPC ..... **D14/383**

(58) **Field of Classification Search**

USPC ..... D14/356-358, 383-385, 420, 426, 427,  
D14/432-439, 447, 453, 454, 217, 253,  
D14/299, 402, 407, 307; D13/107, 108,  
D13/133, 146, 147, 152, 154, 156, 158,  
D13/162, 162.1, 168, 173, 177, 102;  
235/441, 451, 492, 380, 439, 375;  
361/679.31, 600, 679.01, 679.02

CPC ..... G07C 9/00103; G07C 9/00039; G07C  
9/00904; G06K 5/00; G06K 7/01

See application file for complete search history.

(56) **References Cited**

**U.S. PATENT DOCUMENTS**

D507,450 S \* 7/2005 Tanaka ..... D7/346  
D522,510 S \* 6/2006 Su ..... D14/384

D535,992 S \* 1/2007 Ozolins ..... D14/383  
D542,291 S \* 5/2007 Kang ..... D14/384  
D593,559 S \* 6/2009 Lin ..... D14/384  
D718,307 S \* 11/2014 Ozolins ..... D14/383  
D727,901 S \* 4/2015 Nishimura ..... D14/383  
D742,877 S \* 11/2015 Tsuchida ..... D14/383  
D785,623 S \* 5/2017 Kaiya ..... D14/384  
9,736,343 B2 \* 8/2017 Tsujikawa ..... G06K 9/209  
D816,675 S \* 5/2018 Kaiya ..... D14/402  
D837,213 S \* 1/2019 Kaiya ..... D14/407

\* cited by examiner

*Primary Examiner* — Austin Murphy

(74) *Attorney, Agent, or Firm* — Schwegman Lundberg & Woessner, P.A.

(57) **CLAIM**

The ornamental design for a data input machine, as shown and described.

**DESCRIPTION**

FIG. 1 is a front elevational view of a data input machine showing our new design;

FIG. 2 is a right side elevational view thereof;

FIG. 3 is a top plan view thereof;

FIG. 4 is a rear elevational view thereof;

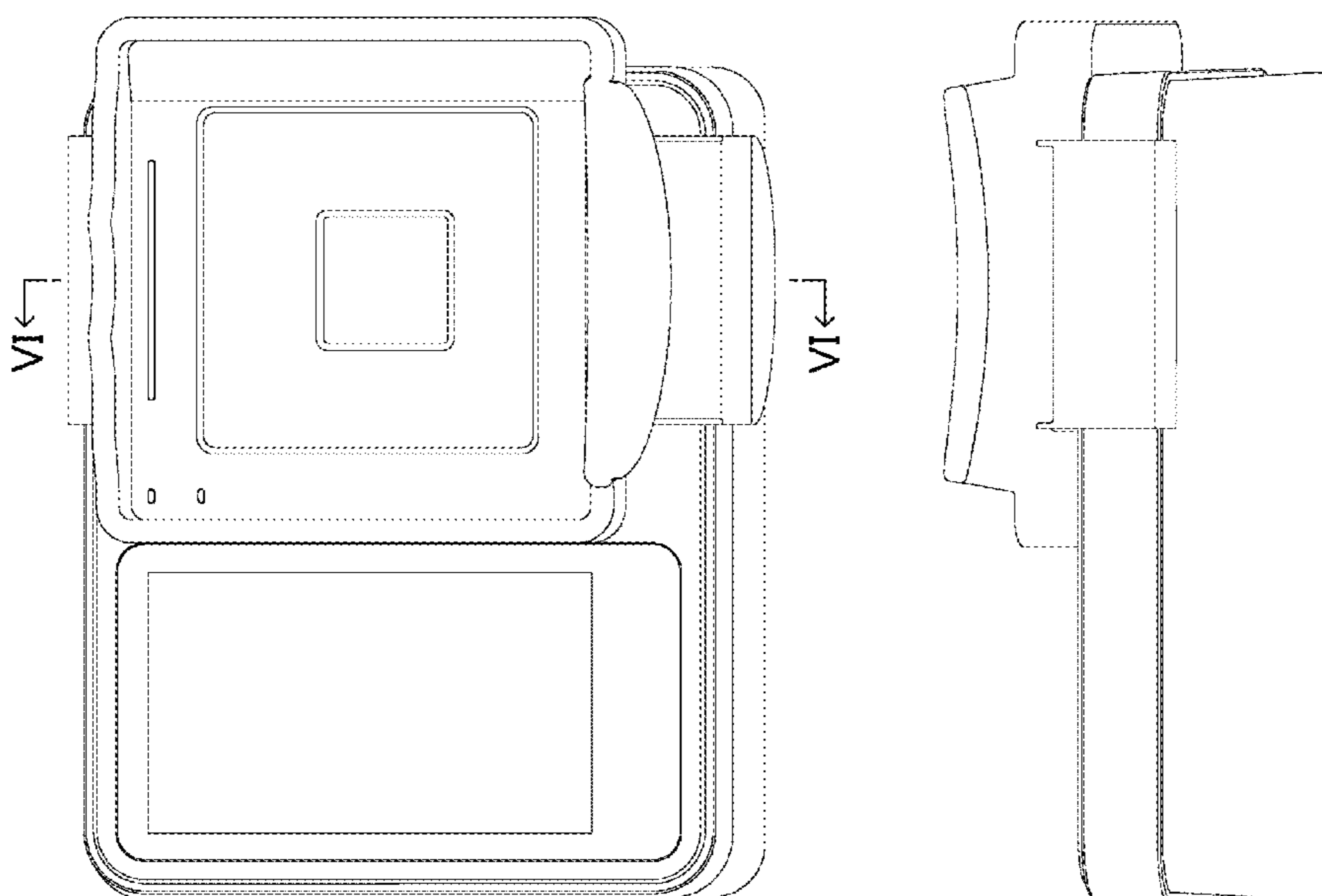
FIG. 5 is a bottom plan view thereof;

FIG. 6 is VI-VI cross-sectional view with internal mechanism omitted therefrom; and,

FIG. 7 is VII-VII cross-sectional view with internal mechanism omitted therefrom.

The left side elevational view, which has a symmetrical relationship with the right side elevational view, is omitted herein.

**1 Claim, 7 Drawing Sheets**



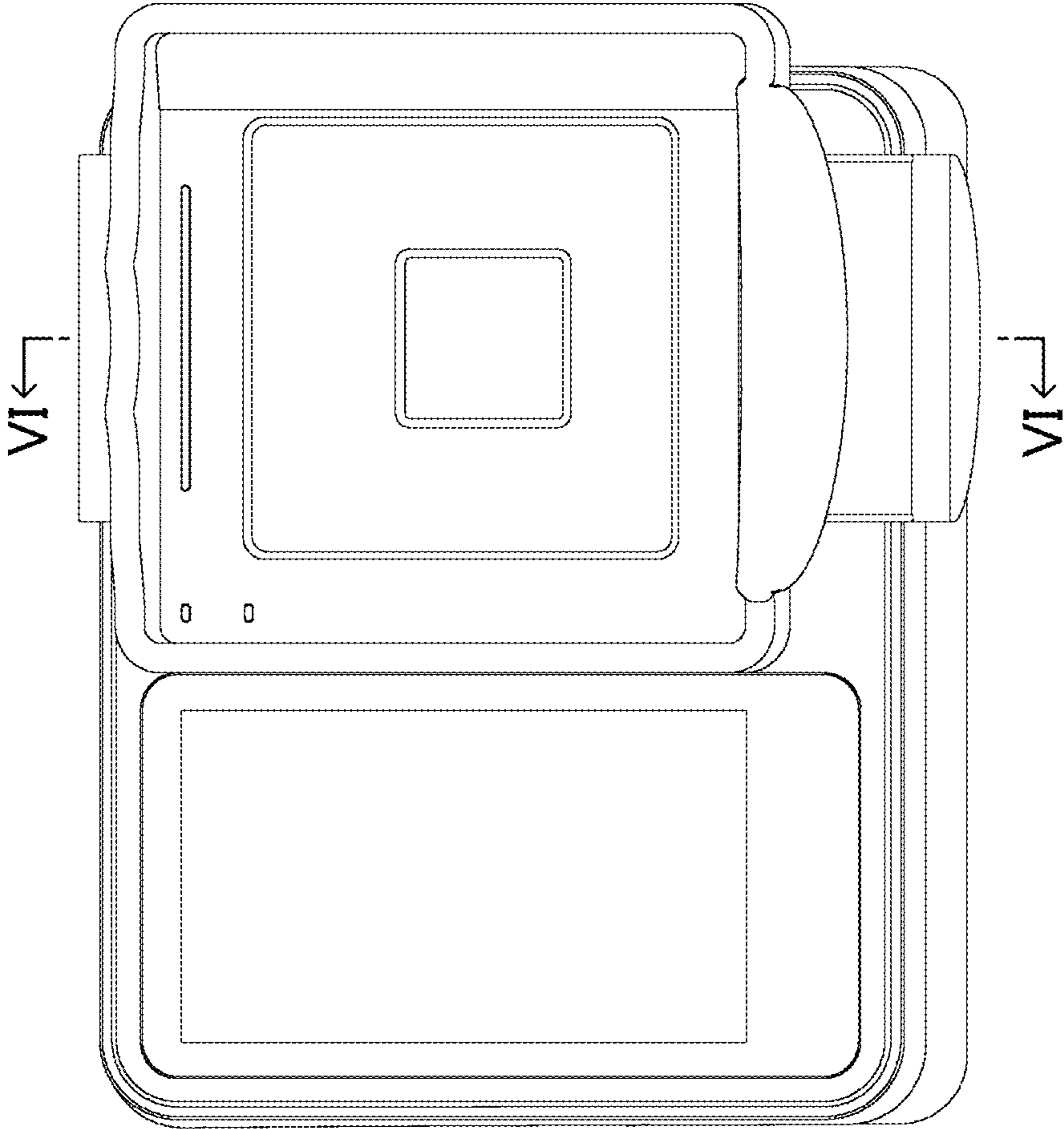


FIG. 1

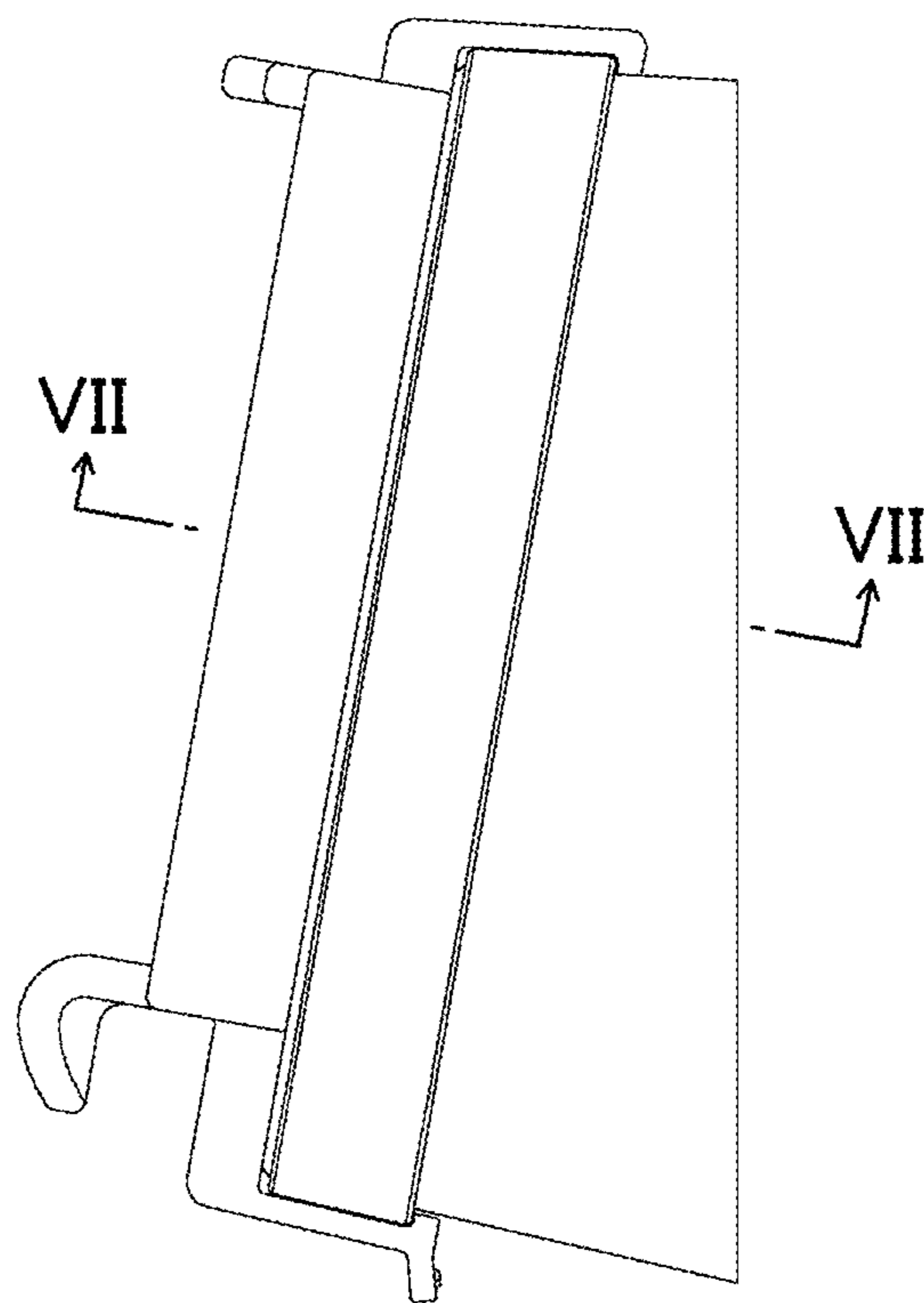


FIG. 2

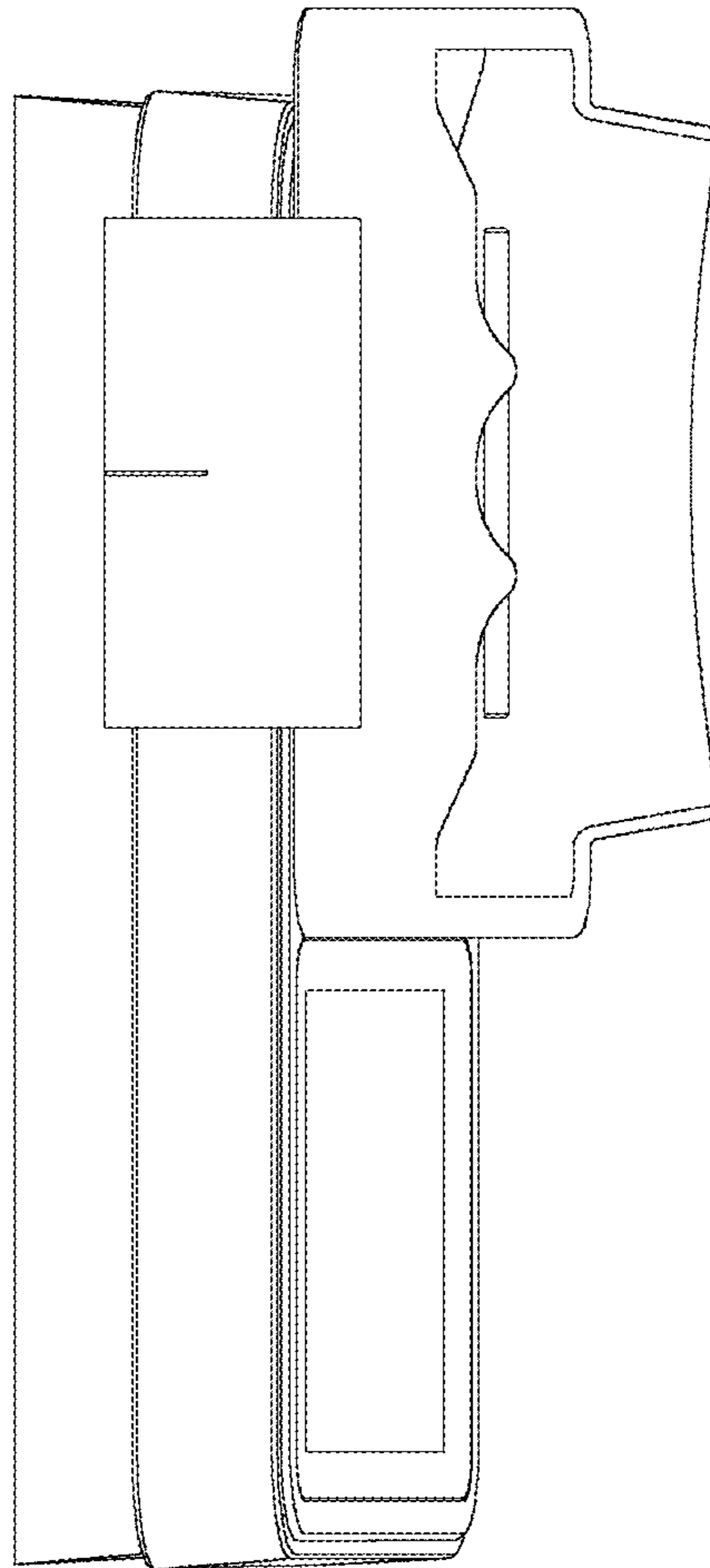


FIG. 3

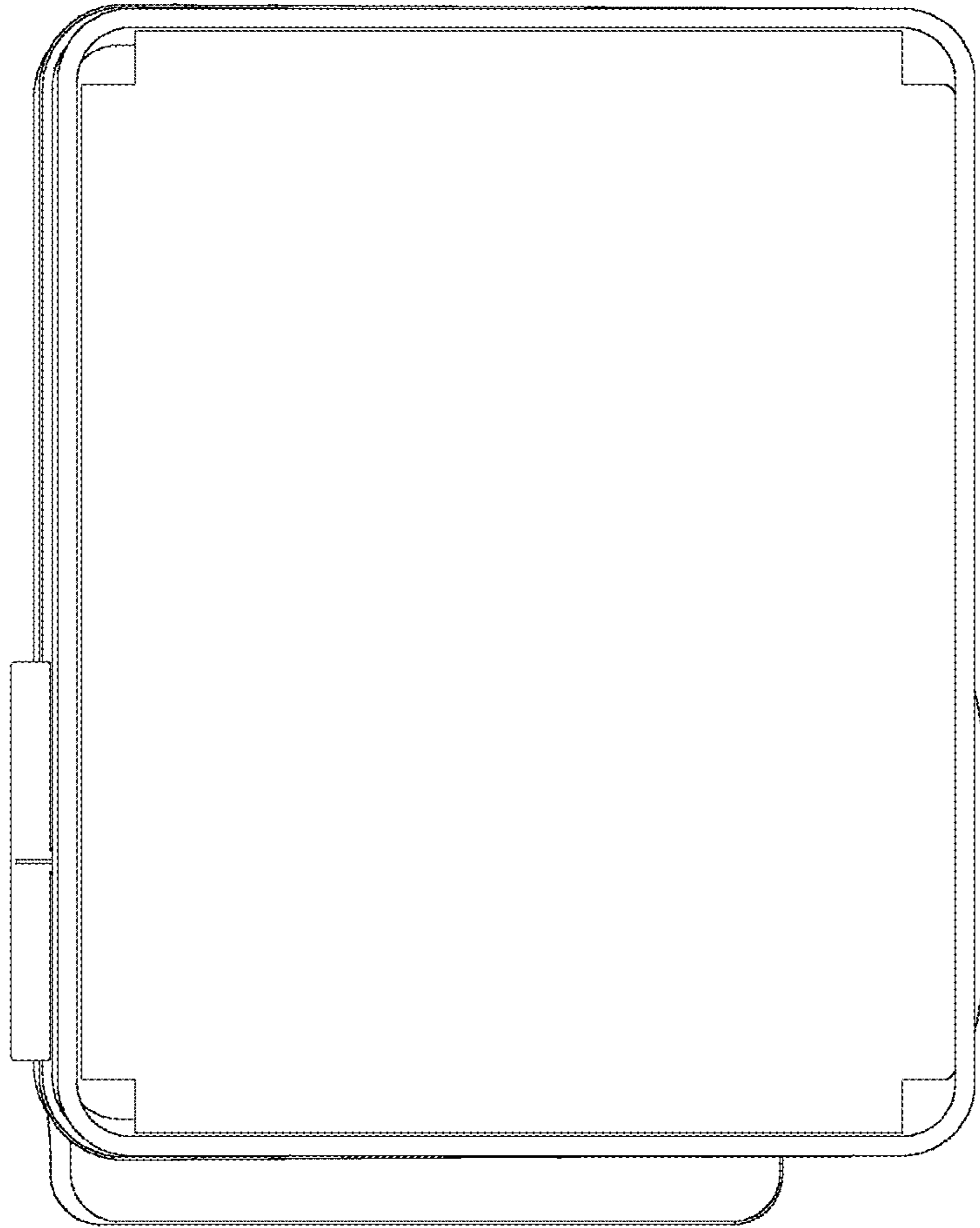


FIG. 4

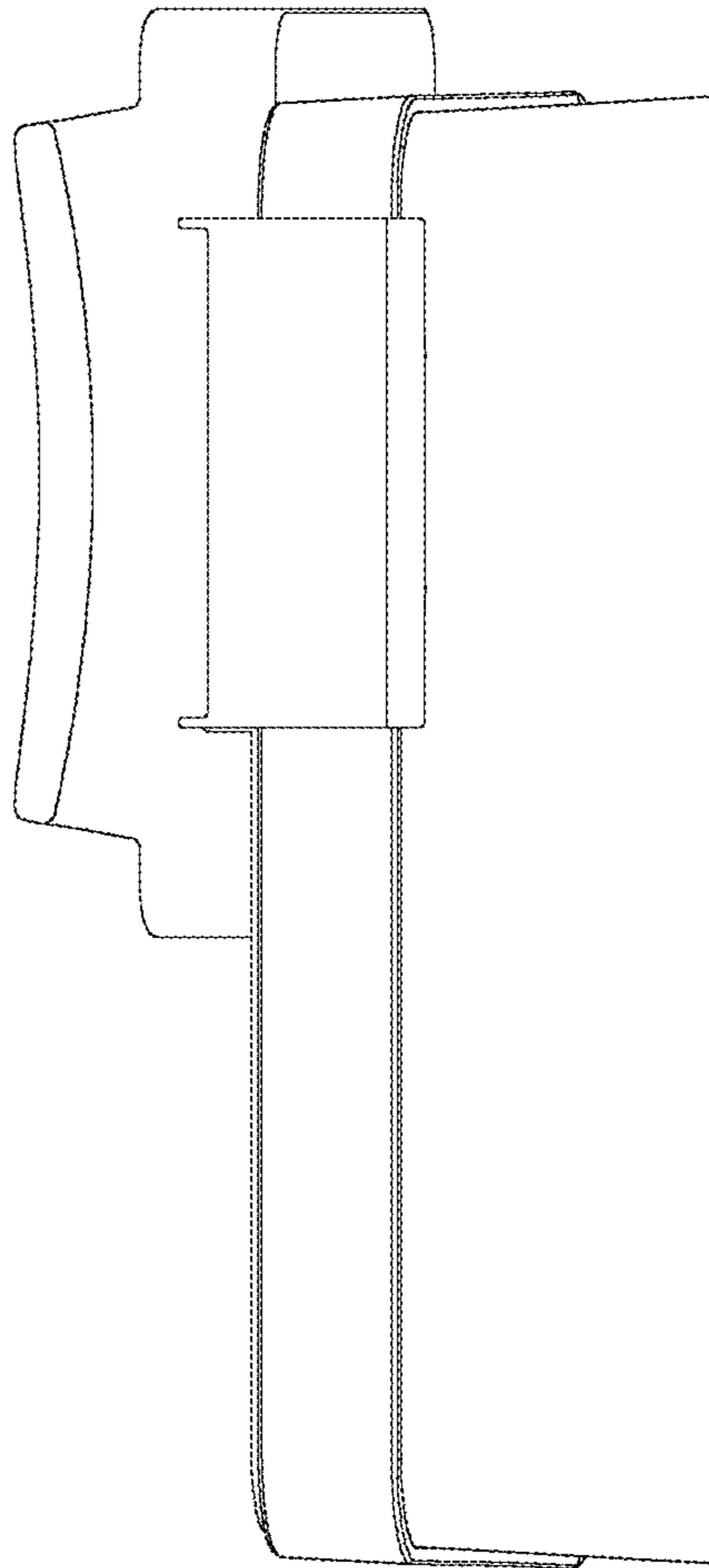


FIG. 5

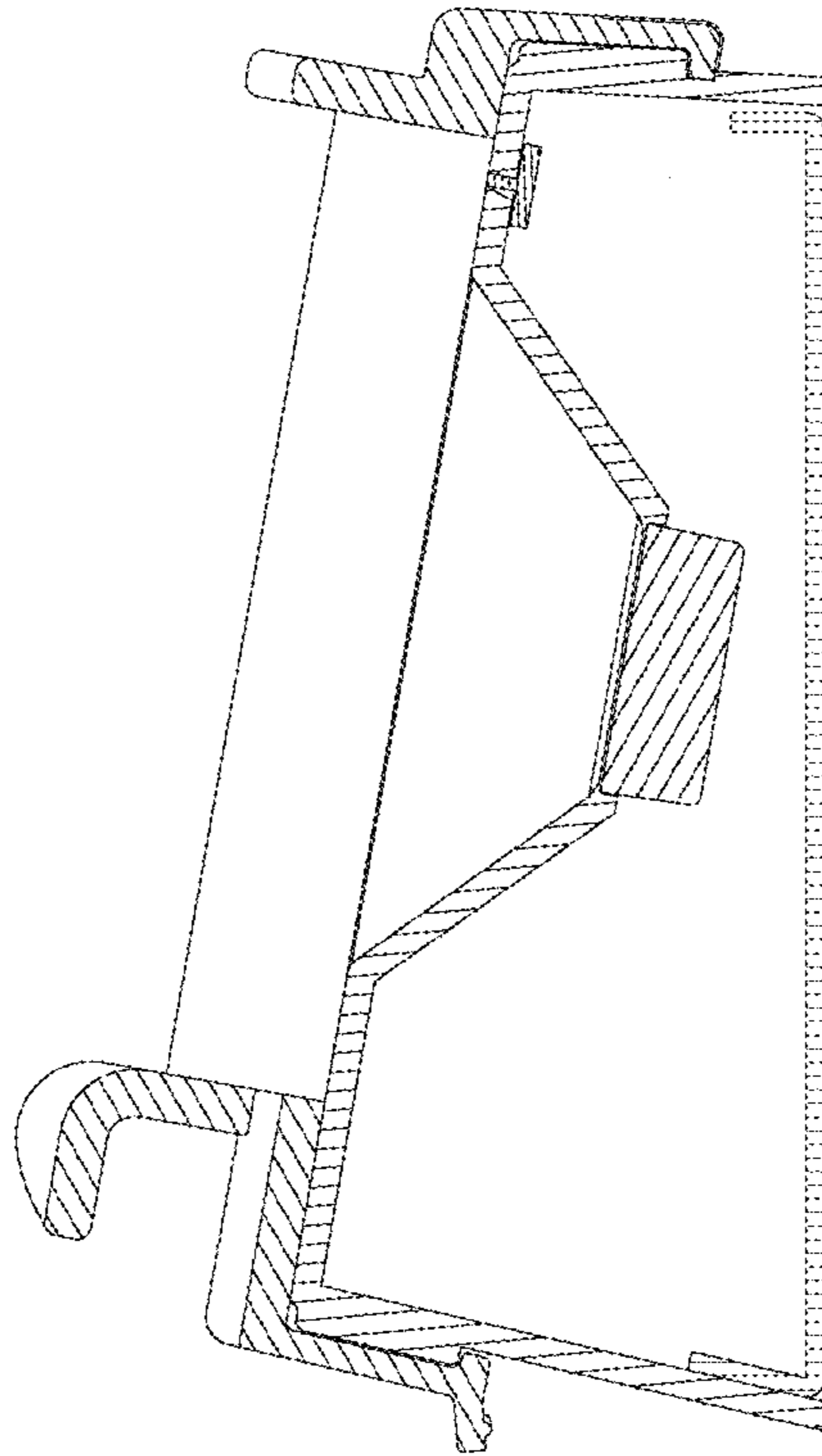


FIG. 6

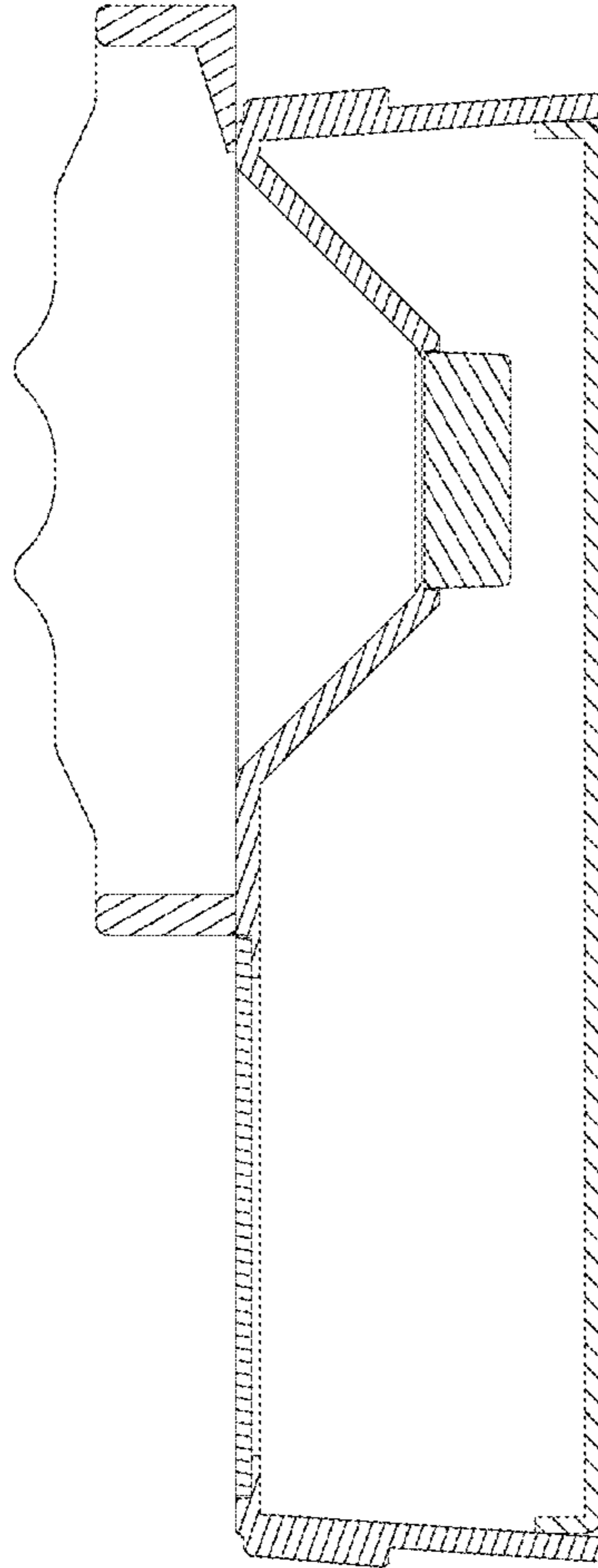


FIG. 7