



US00D859409S

(12) **United States Design Patent** (10) **Patent No.:** **US D859,409 S**
Tsujikawa et al. (45) **Date of Patent:** **** Sep. 10, 2019**

(54) **DATA INPUT MACHINE**
(71) Applicant: **Fujitsu Frontech Limited**, Tokyo (JP)
(72) Inventors: **Akinori Tsujikawa**, Tokyo (JP);
Hiroyuki Tanaka, Tokyo (JP); **Takumi Kaiya**, Tokyo (JP)
(73) Assignee: **Fujitsu Frontech Limited**, Tokyo (JP)
(**) Term: **15 Years**
(21) Appl. No.: **29/647,862**
(22) Filed: **May 16, 2018**

(30) **Foreign Application Priority Data**
Dec. 18, 2017 (JP) 2017-028130
(51) **LOC (12) Cl.** **14-02**
(52) **U.S. Cl.**
USPC **D14/383**
(58) **Field of Classification Search**
USPC D14/356-358, 383-385, 420, 426, 427,
D14/432-439, 447, 453, 454, 217, 253,
D14/299, 402, 407, 307; D13/107, 108,
D13/133, 146, 147, 152, 154, 156, 158,
D13/162, 162.1, 168, 173, 177, 102;
235/441, 451, 492, 380, 439, 375;
361/679.31, 600, 679.01, 679.02
CPC G07C 9/00103; G07C 9/00039; G07C
9/00904; G06K 5/00; G06K 7/01
See application file for complete search history.

(56) **References Cited**
U.S. PATENT DOCUMENTS
D507,450 S * 7/2005 Tanaka D7/346
D522,510 S * 6/2006 Su D14/384

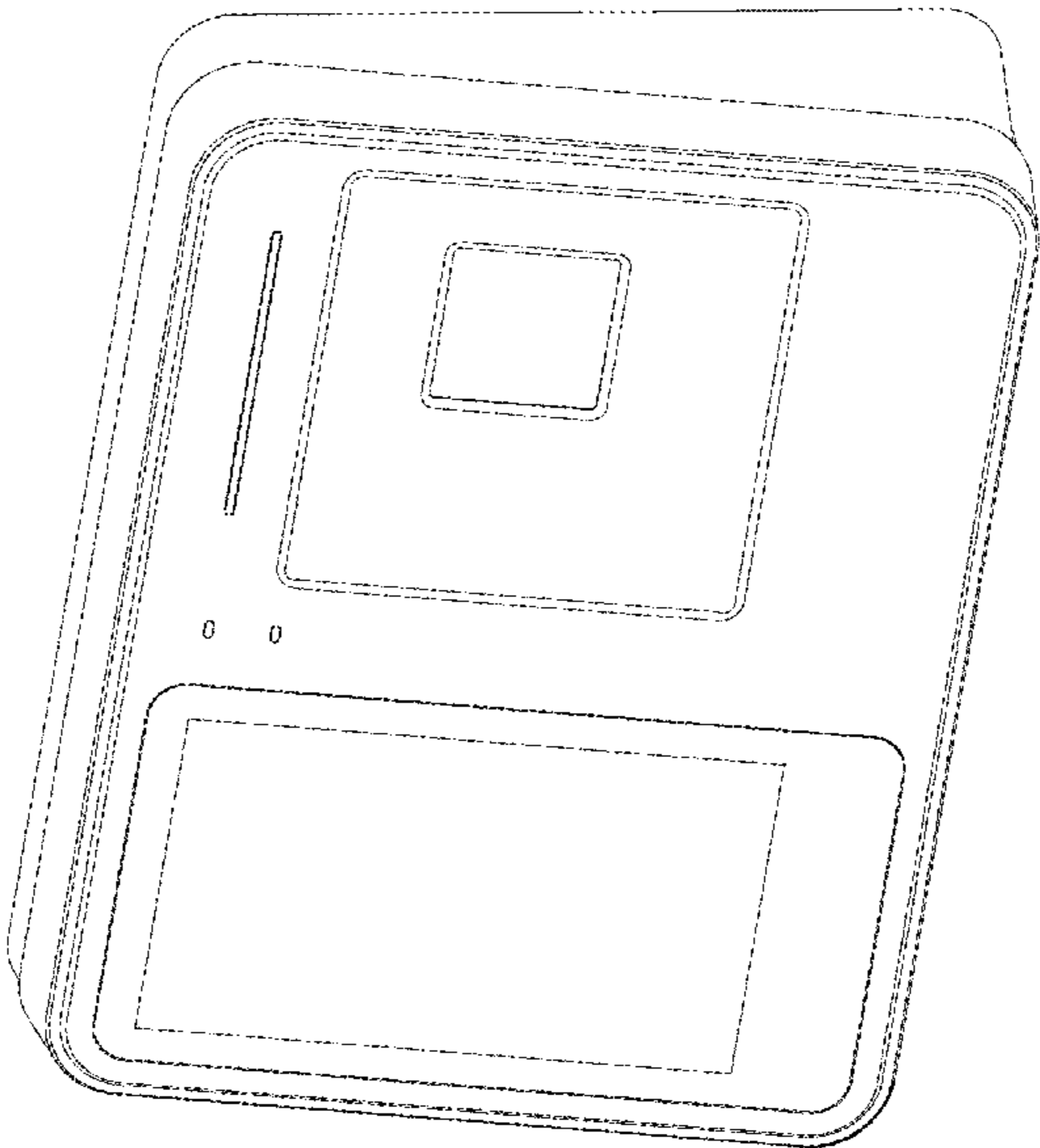
D535,992 S * 1/2007 Ozolins D14/383
D542,291 S * 5/2007 Kang D14/384
D593,559 S * 6/2009 Lin D14/384
D718,307 S * 11/2014 Ozolins D14/383
D727,901 S * 4/2015 Nishimura D14/383
D742,877 S * 11/2015 Tsuchida D14/383
D785,623 S * 5/2017 Kaiya D14/384
9,736,343 B2 * 8/2017 Tsujikawa G06K 9/209
D816,675 S * 5/2018 Kaiya D14/402
D837,213 S * 1/2019 Kaiya D14/407

* cited by examiner
Primary Examiner — Austin Murphy
(74) *Attorney, Agent, or Firm* — Schwegman Lundberg & Woessner, P.A.

(57) **CLAIM**
The ornamental design for a data input machine, as shown and described.

DESCRIPTION
FIG. 1 is a perspective view of a data input machine showing our new design;
FIG. 2 is a front elevational view thereof;
FIG. 3 is a top plan view thereof;
FIG. 4 is a right side elevational view thereof;
FIG. 5 is a rear elevational view thereof;
FIG. 6 is a bottom plan view thereof;
FIG. 7 is VII-VII cross-sectional view with internal mechanism omitted therefrom; and,
FIG. 8 is VIII-VIII cross-sectional view with internal mechanism omitted therefrom.
The left side elevational view, which has a symmetrical relationship with the right side elevational view, is omitted herein.

1 Claim, 8 Drawing Sheets



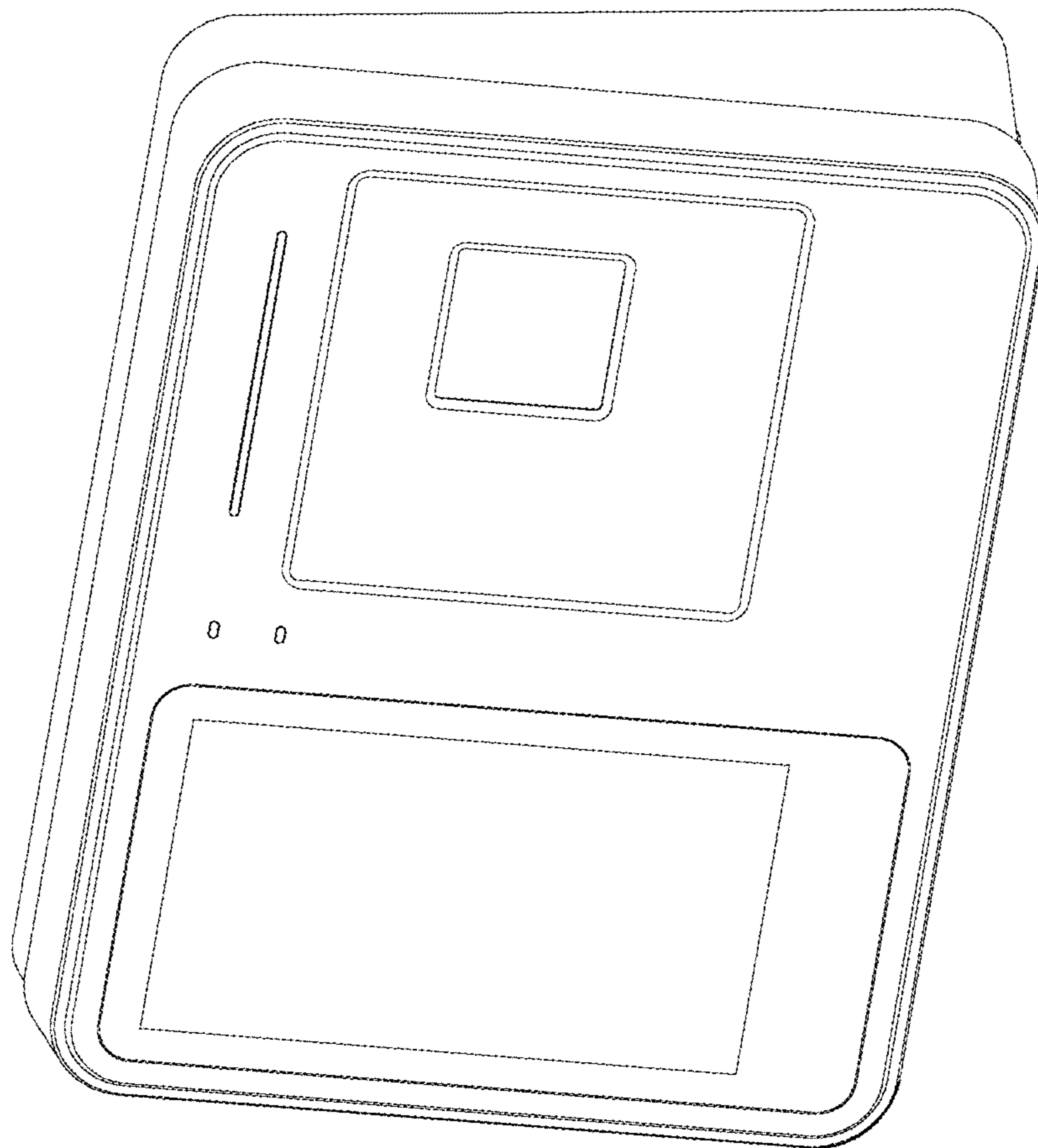


FIG. 1

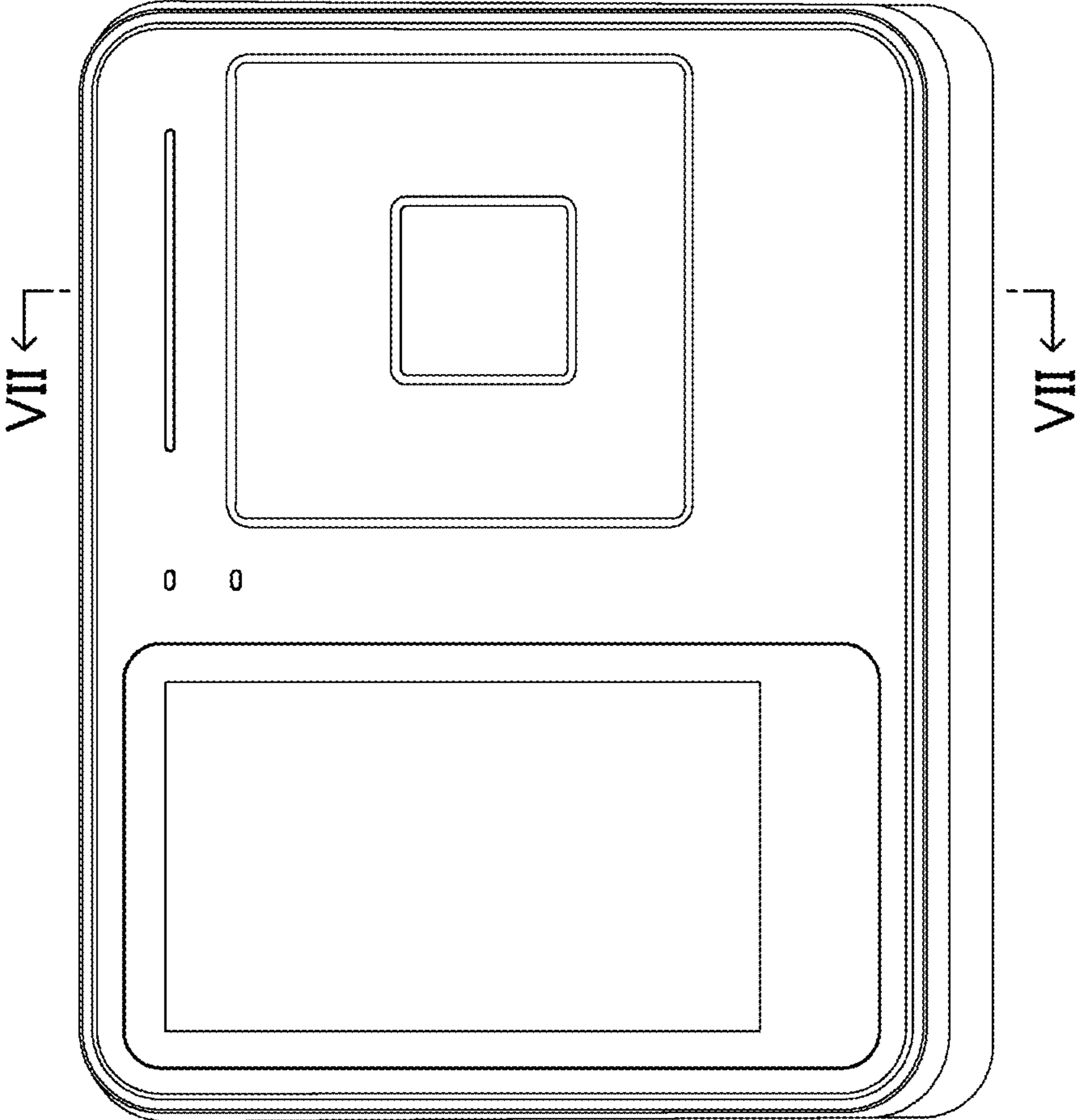


FIG. 2

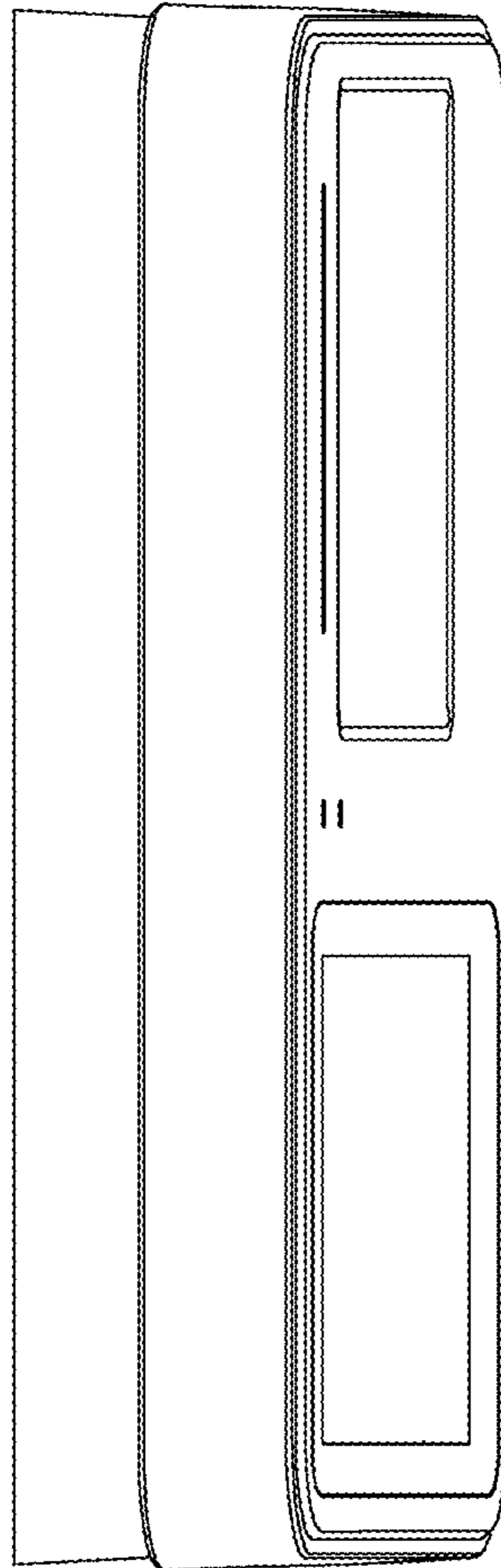


FIG. 3

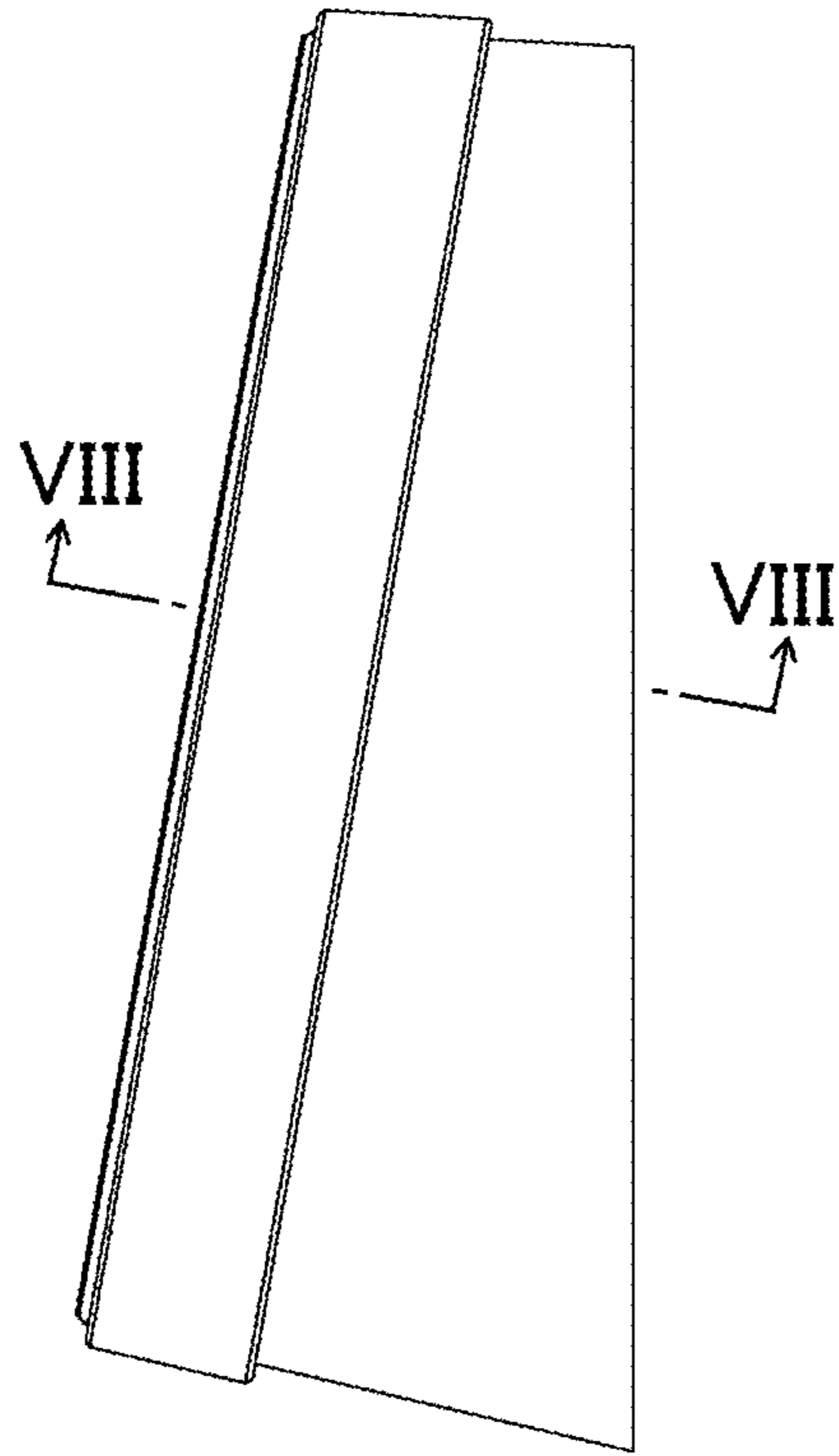


FIG. 4

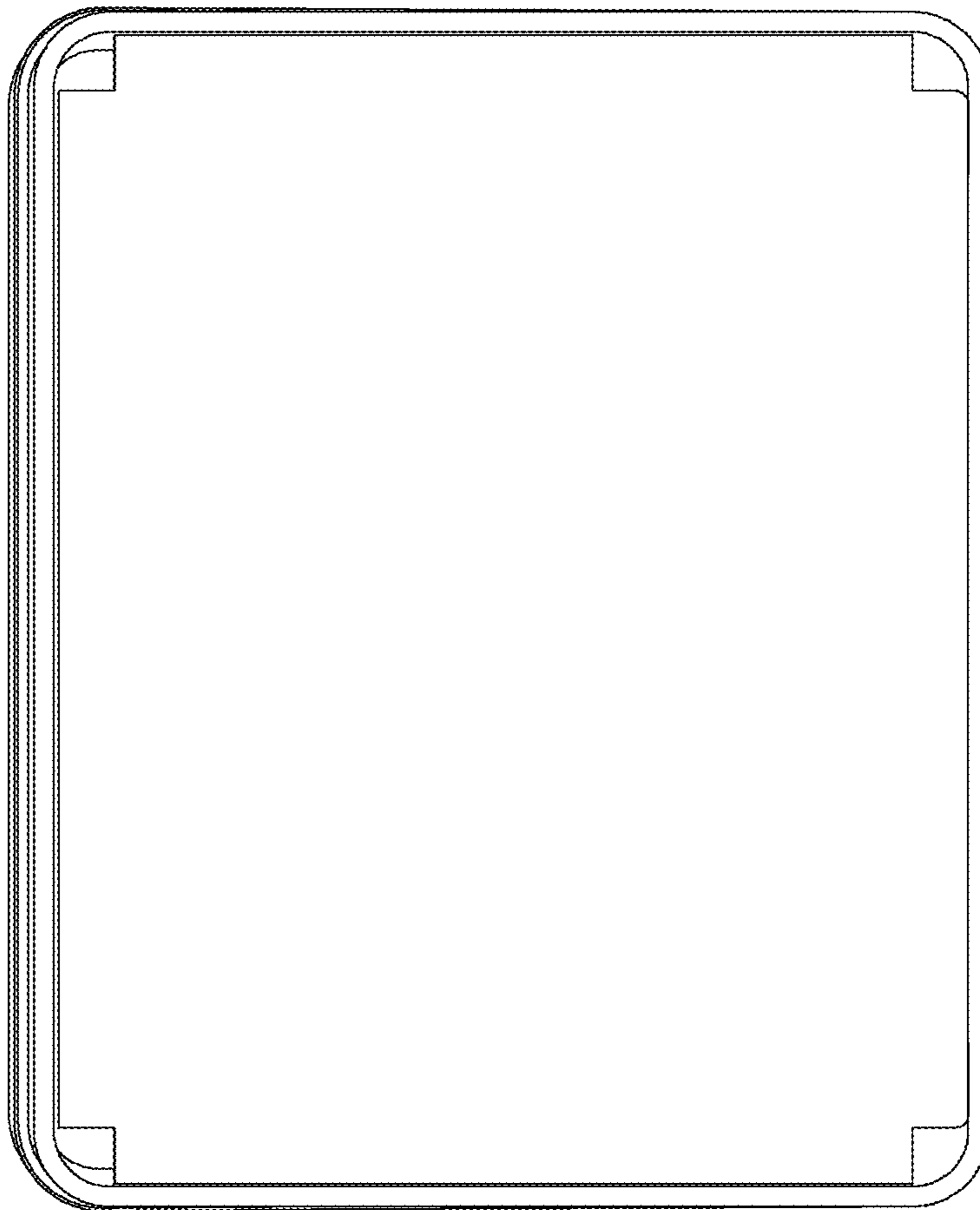


FIG. 5

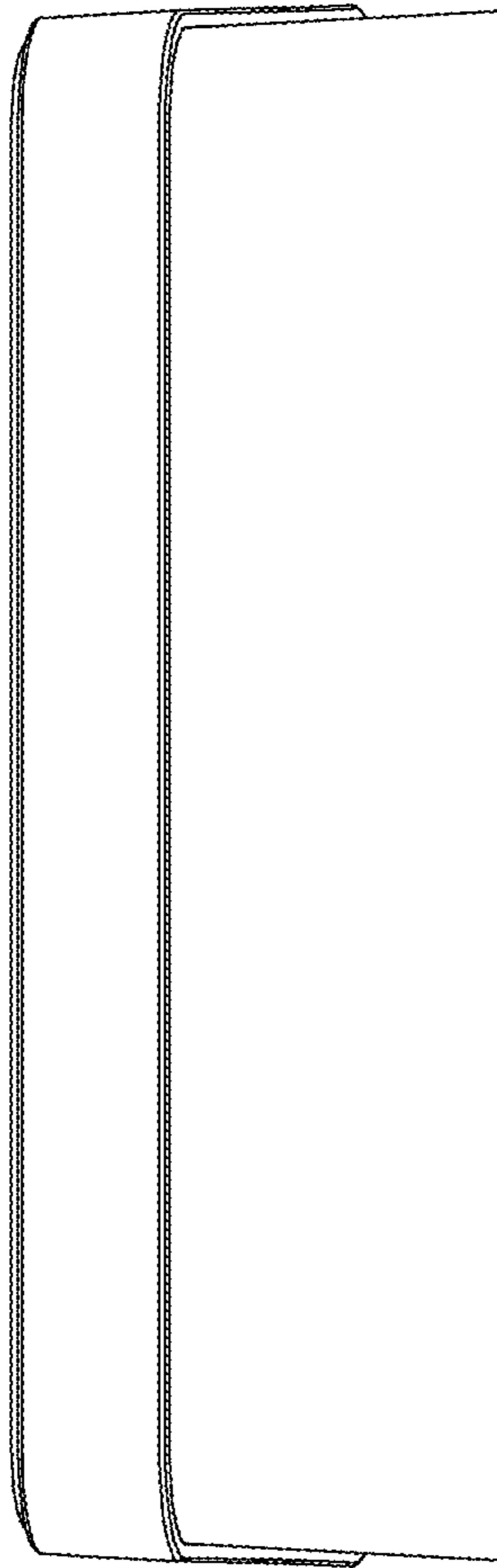


FIG. 6

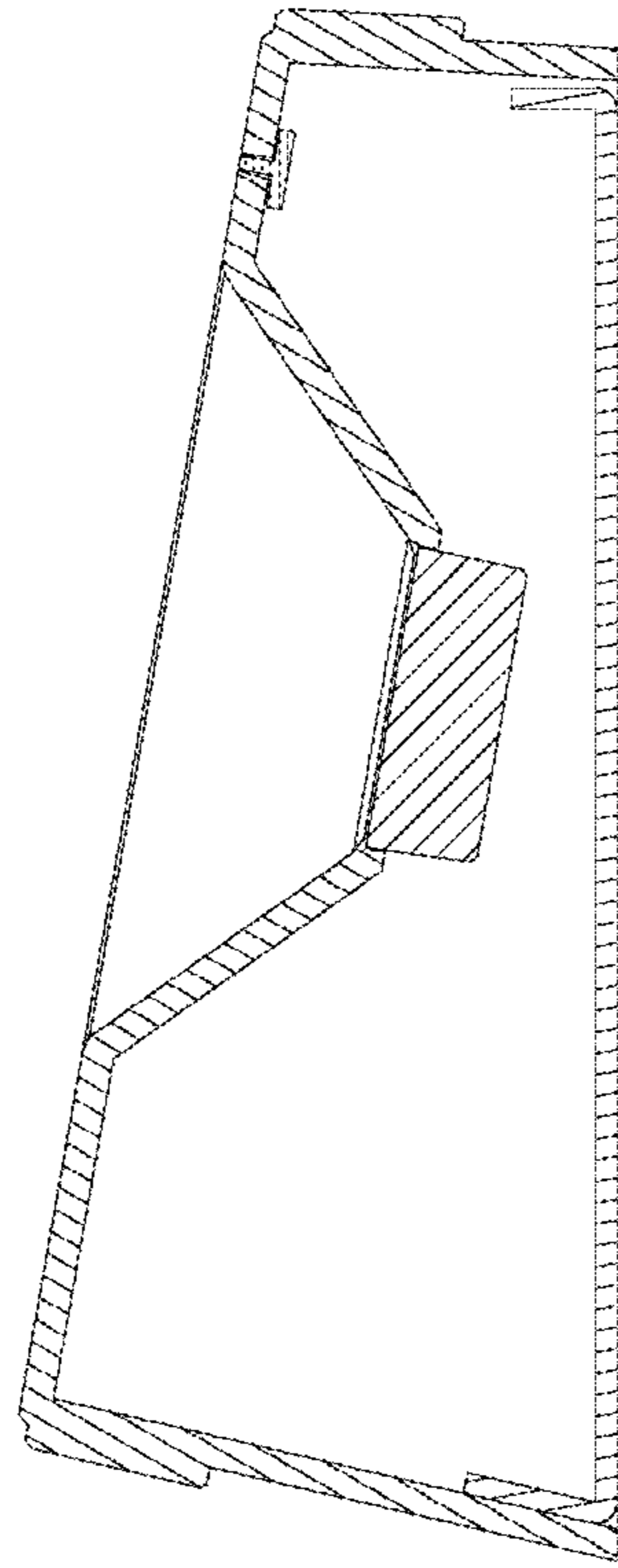


FIG. 7

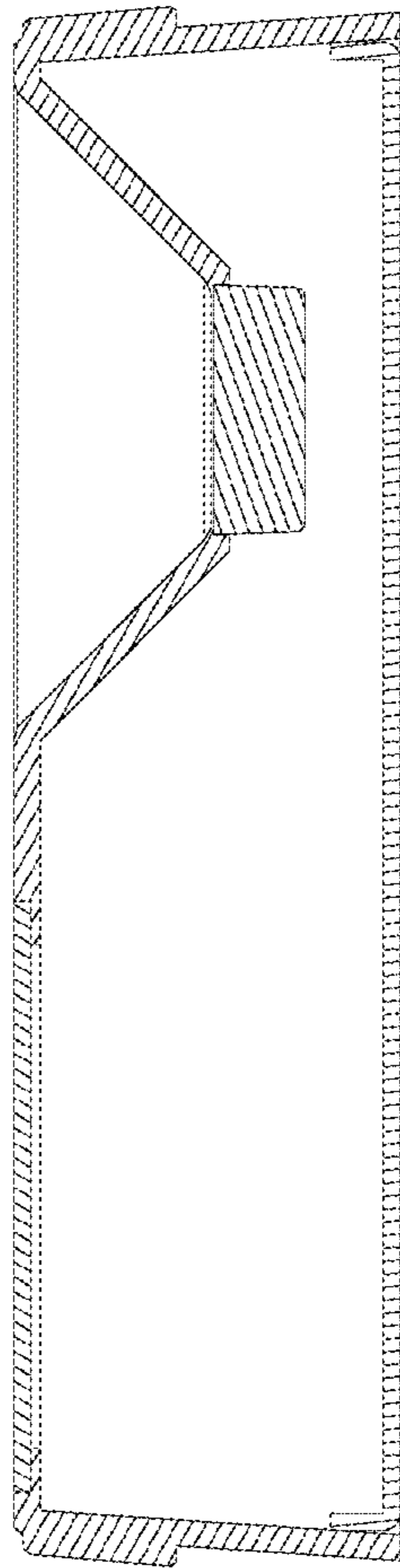


FIG. 8