



US00D859406S

(12) **United States Design Patent** (10) **Patent No.:** **US D859,406 S**
Wei et al. (45) **Date of Patent:** **** Sep. 10, 2019**

(54) **VIRTUAL REALITY HEADSET**

(71) Applicant: **SHENZHEN GRANDSUN ELECTRONIC CO., LTD.**, Shenzhen, Guangdong (CN)

(72) Inventors: **Shao Wei**, Shenzhen (CN); **Wu Haiquan**, Shenzhen (CN); **Lu Zhanming**, Shenzhen (CN); **Zhang Enqin**, Shenzhen (CN); **Peng Jiugao**, Shenzhen (CN); **Shi Ruiwen**, Shenzhen (CN)

(73) Assignee: **SHENZHEN GRANDSUN ELECTRONIC CO., LTD.**, Shenzhen (CN)

(**) Term: **15 Years**

(21) Appl. No.: **29/655,668**

(22) Filed: **Jul. 5, 2018**

(30) **Foreign Application Priority Data**

Jan. 5, 2018 (CN) 2018 3 0005190

(51) **LOC (12) Cl.** **14-02**

(52) **U.S. Cl.**
USPC **D14/372**

(58) **Field of Classification Search**
USPC D14/372, 496, 432, 371, 125, 126, 129, D14/299; D16/300-342; 351/158, 153, 351/144; 345/7-9, 905; 455/344; 348/115, 53, 121, 739
CPC G02B 27/017; G02B 27/0158; G02B 27/0161; G02B 27/0181; G02B 27/0185; G02B 27/0189

See application file for complete search history.

(56) **References Cited**

U.S. PATENT DOCUMENTS

D791,129 S *	7/2017	Sullivan	D14/372
D798,298 S *	9/2017	Haber	D14/372
D801,970 S *	11/2017	Sullivan	D14/372
D803,213 S *	11/2017	Kim	D14/372
D805,074 S *	12/2017	Hu	D14/372
D810,743 S *	2/2018	Yee	D14/372
D822,659 S *	7/2018	Spio	D14/372
D829,208 S *	9/2018	Dallmeyer	D14/372
D834,016 S *	11/2018	Raffle	D14/372
D834,019 S *	11/2018	Dallmeyer	D14/372
D840,399 S *	2/2019	Miller	D14/372
D843,373 S *	3/2019	Zhao	D14/372
D848,420 S *	5/2019	Boger	D14/372

* cited by examiner

Primary Examiner — Austin Murphy
(74) *Attorney, Agent, or Firm* — Conley Rose, P.C.; Grant Rodolph

(57) **CLAIM**

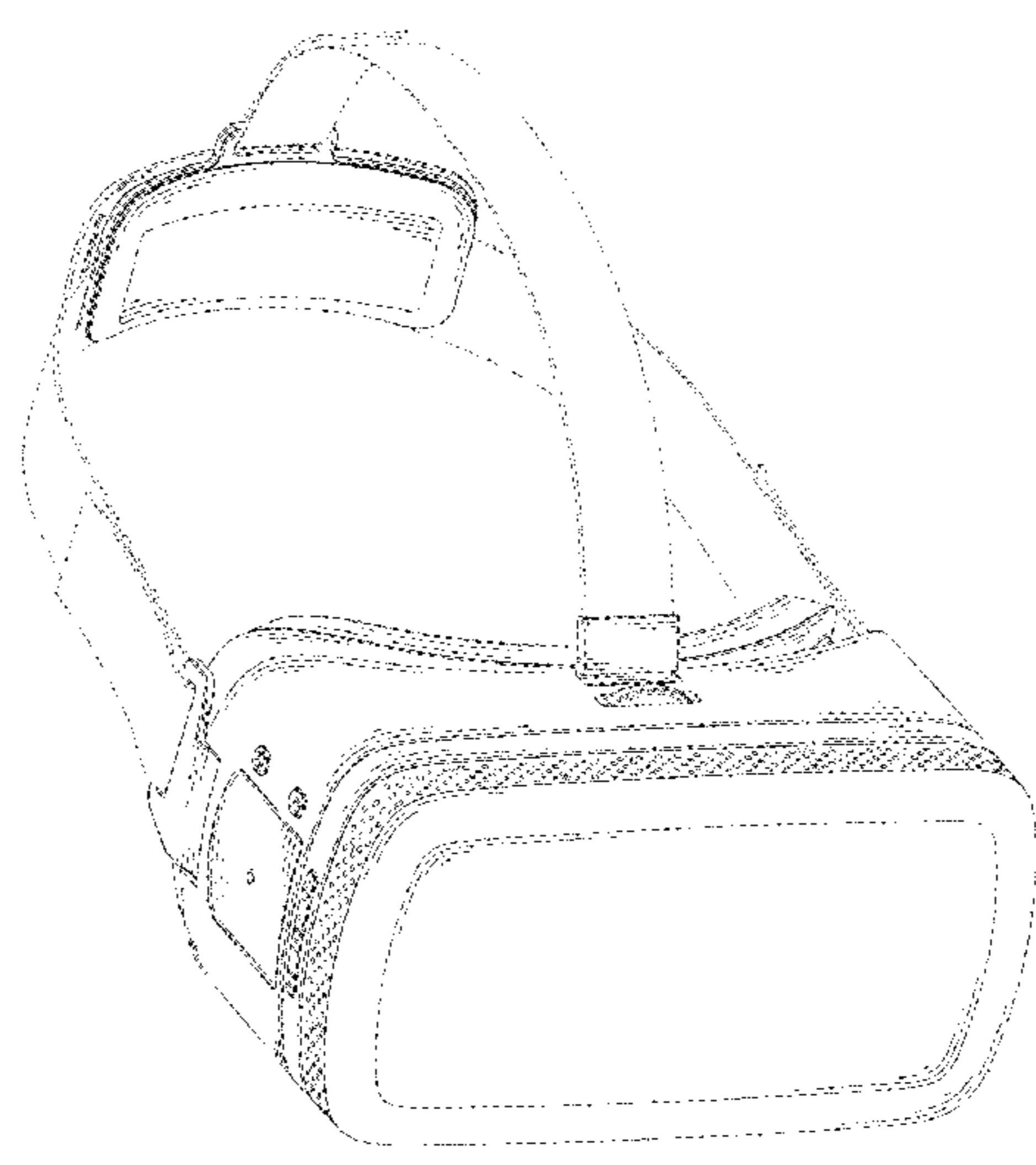
The ornamental design for a virtual reality headset, as shown and described.

DESCRIPTION

FIG. 1 is a first perspective view of a virtual reality headset; FIG. 2 is a second perspective view thereof; FIG. 3 is a front view thereof; FIG. 4 is a rear view thereof; FIG. 5 is a left side view thereof; FIG. 6 is a right side view thereof; FIG. 7 is a top view thereof; and, FIG. 8 is a bottom view thereof.

The design which is claimed is shown in solid lines in the drawings. The broken lines shown in the drawings depict portions of the ultrasonic diagnostic system, and form no part of the claimed design.

1 Claim, 8 Drawing Sheets



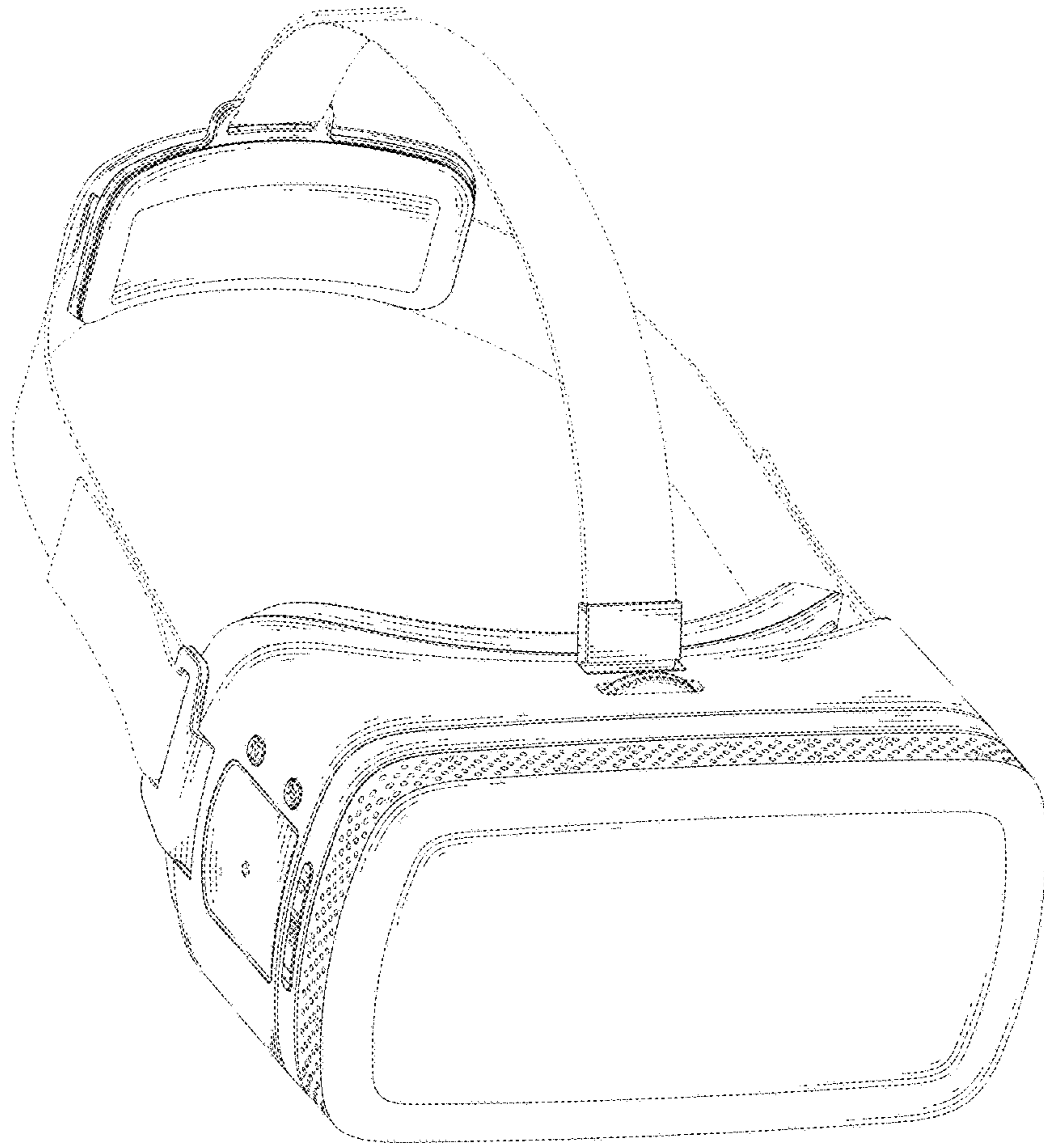


FIG. 1



FIG. 2

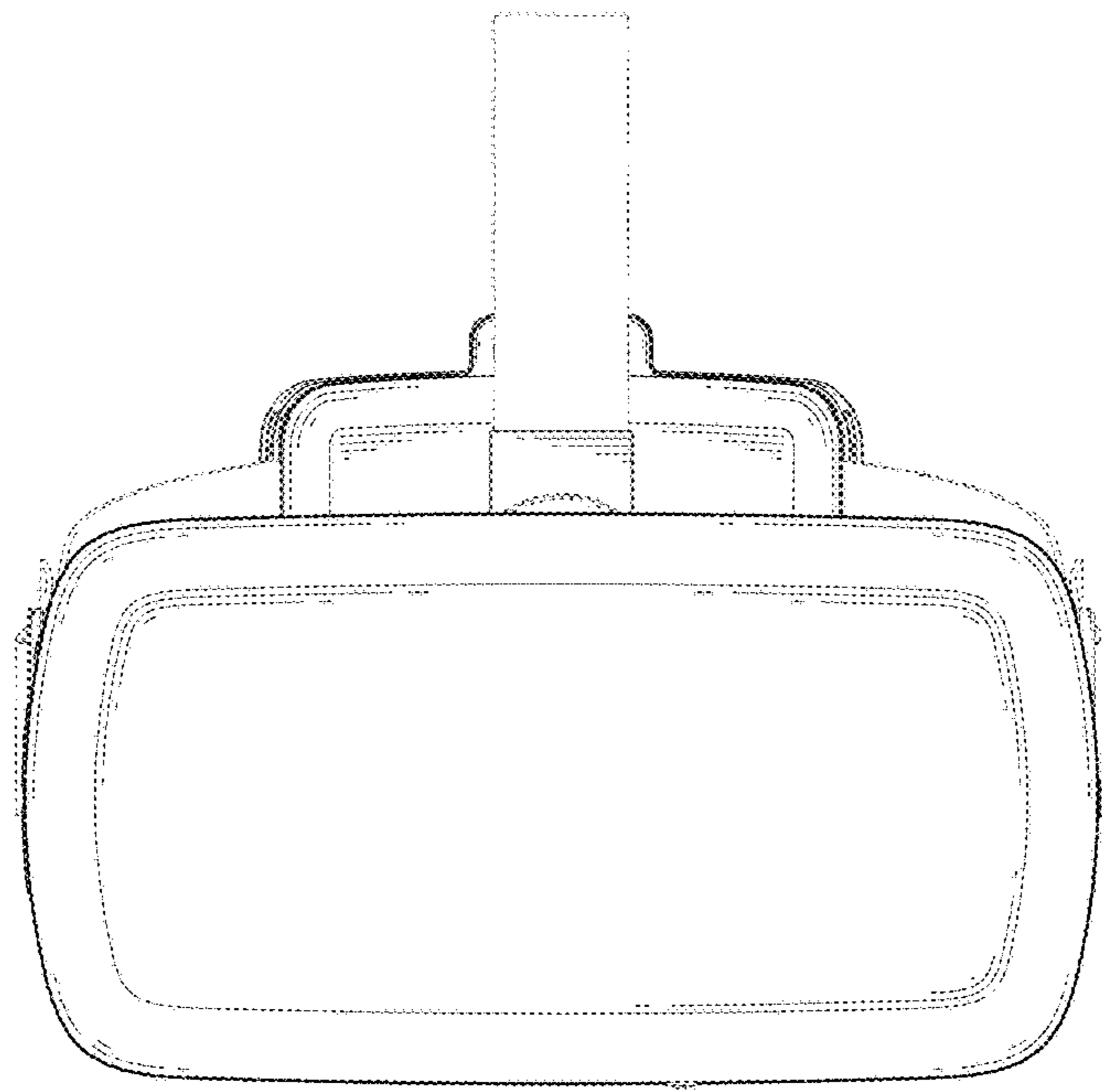


FIG. 3

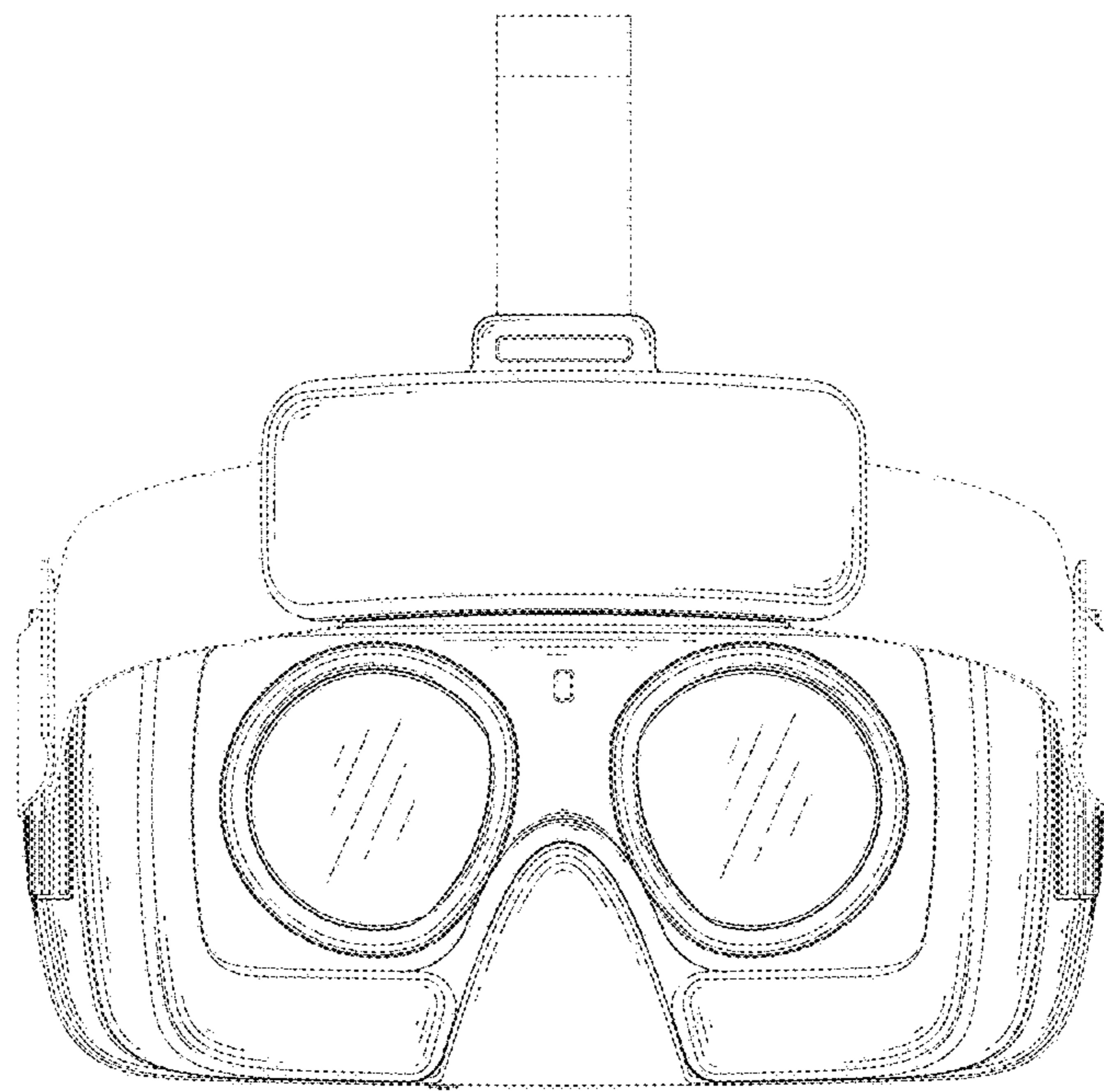


FIG. 4

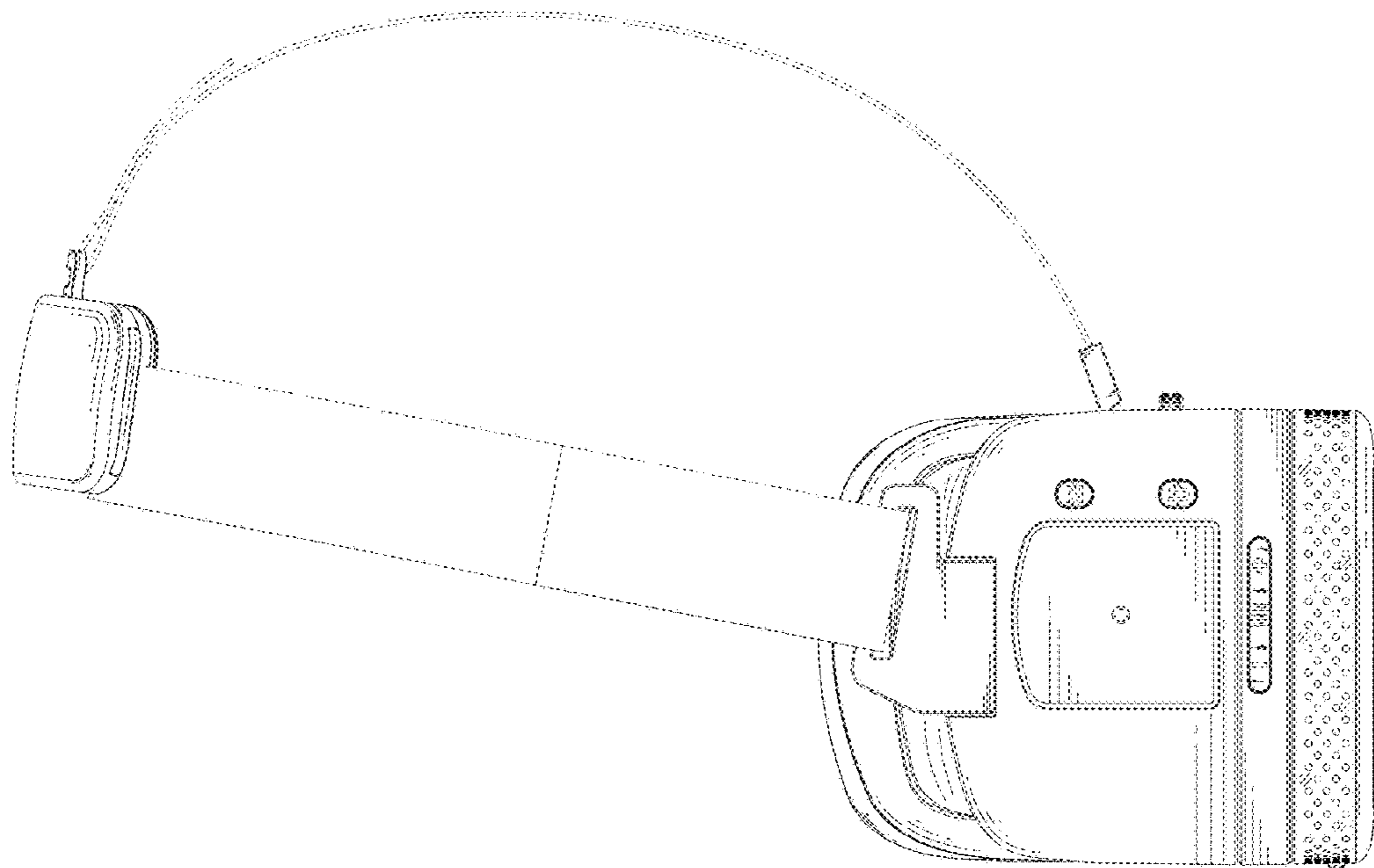


FIG. 5

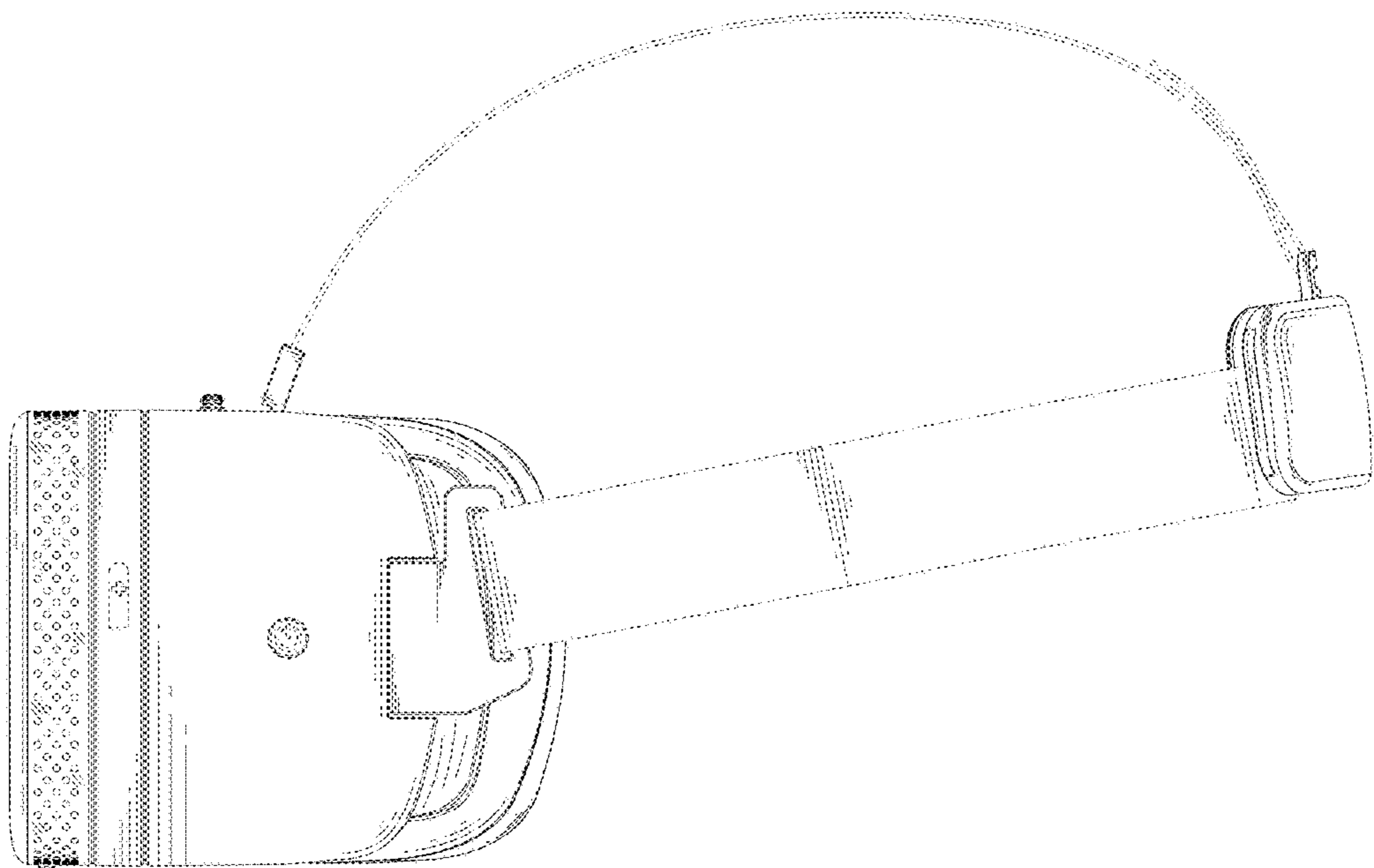


FIG. 6

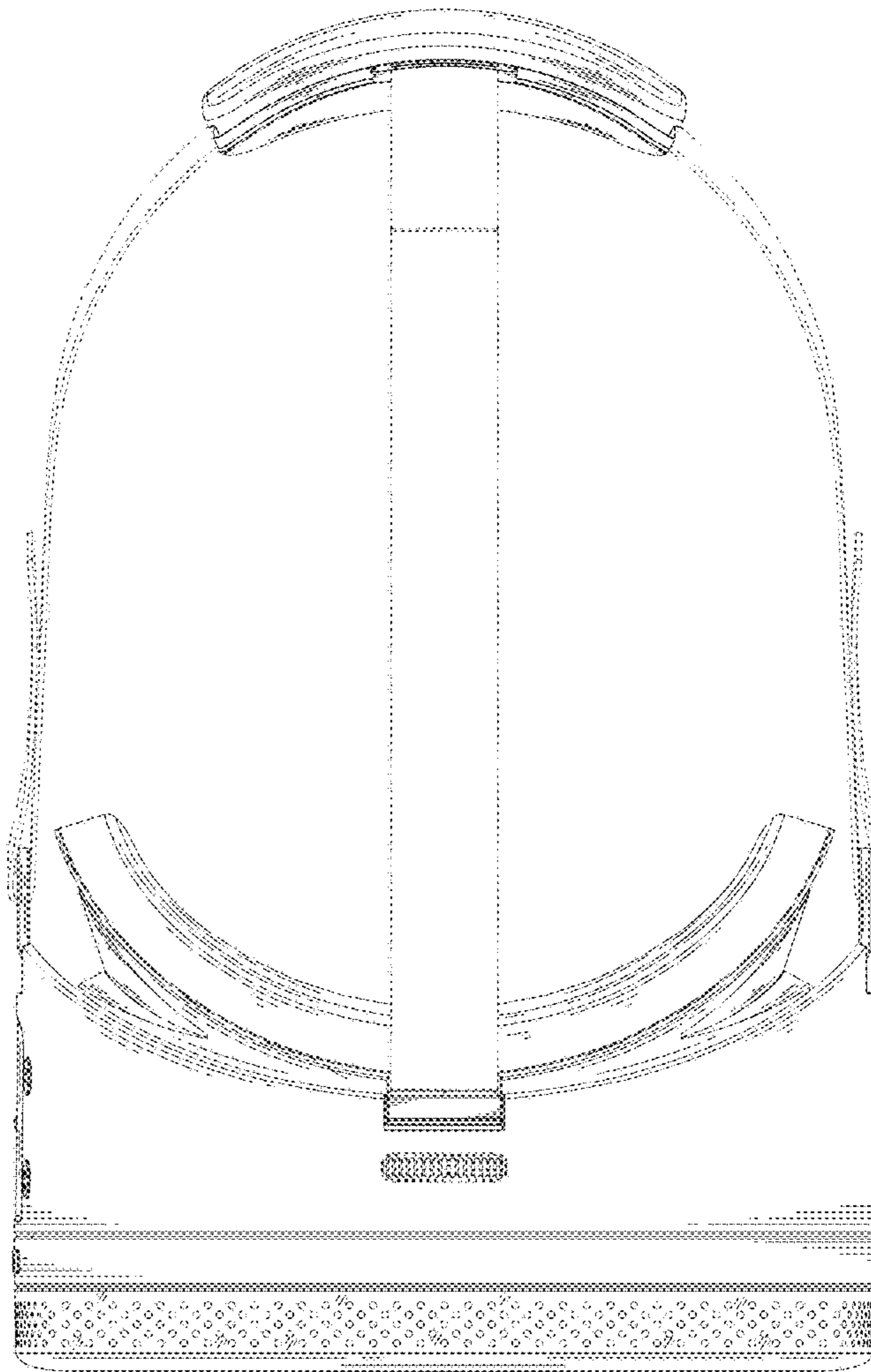


FIG. 7

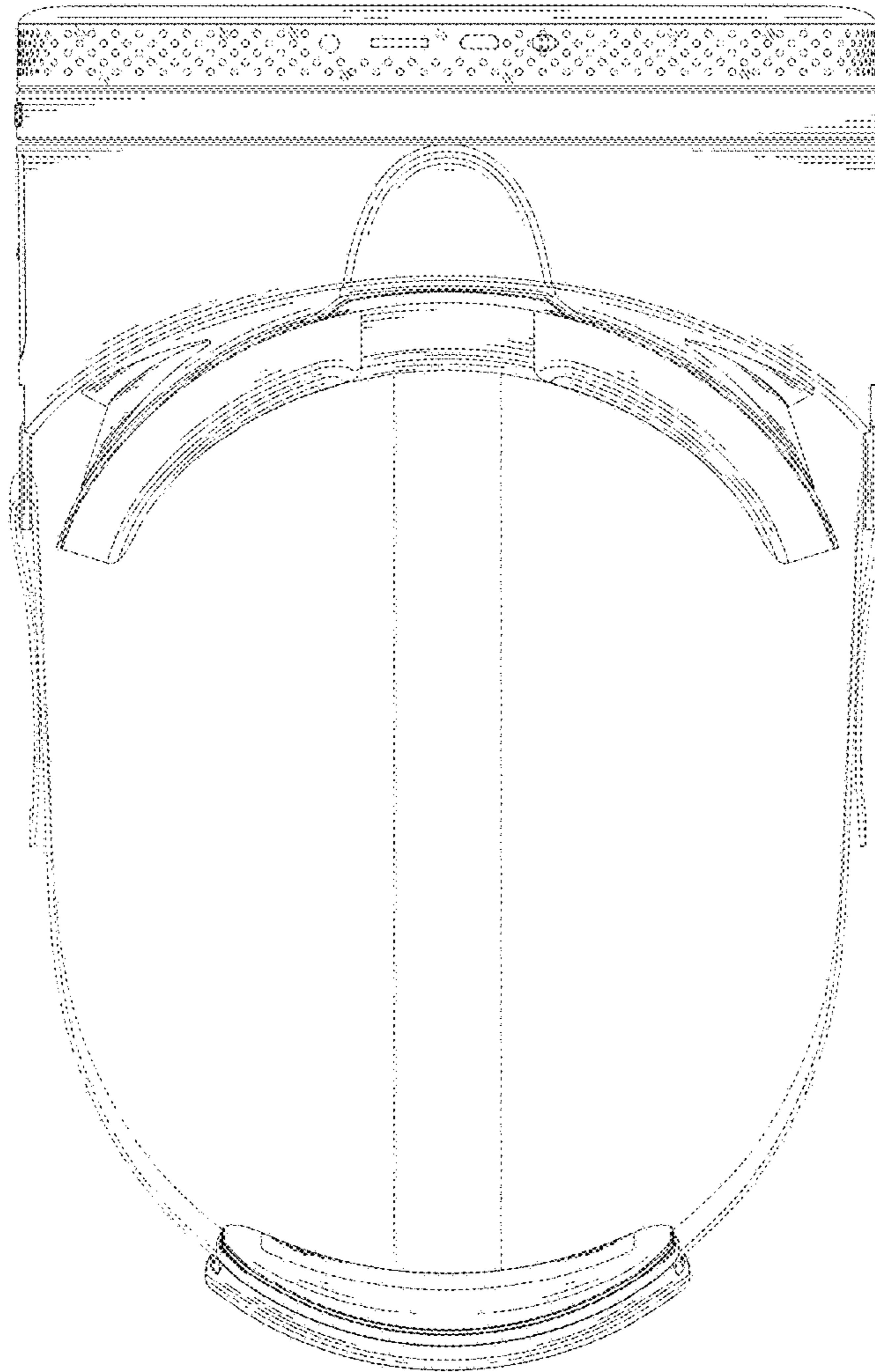


FIG. 8