



US00D859405S

(12) **United States Design Patent** (10) **Patent No.:** **US D859,405 S**
Hackett et al. (45) **Date of Patent:** **** Sep. 10, 2019**

(54) **WEARABLE DEVICE MOUNT**
(71) Applicant: **SYMBOL TECHNOLOGIES, LLC**,
Lincolnshire, IL (US)
(72) Inventors: **Edward Anthony Hackett**, Surbiton
(GB); **Sunghun Lim**, Bethpage, NY
(US)
(73) Assignee: **Symbol Technologies, LLC**, Holtsville,
NY (US)

D581,419 S 11/2008 Johnson et al.
D598,919 S 8/2009 Takemasa
D685,379 S * 7/2013 Richter D14/253
8,554,292 B1 10/2013 Alsaffar
D710,363 S 8/2014 Wengreen
D716,308 S 10/2014 Park et al.
D725,071 S 3/2015 Lee et al.
D746,288 S 12/2015 Mathis
D751,558 S 3/2016 Lee
9,442,525 B2 9/2016 Choi et al.
(Continued)

(**) Term: **15 Years**
(21) Appl. No.: **29/650,023**
(22) Filed: **Jun. 4, 2018**

Related U.S. Application Data

(63) Continuation of application No. 29/560,978, filed on
Apr. 12, 2016, now Pat. No. Des. 822,028.
(51) **LOC (12) Cl.** **14-02**
(52) **U.S. Cl.**
USPC **D14/372**
(58) **Field of Classification Search**
USPC D14/372, 496, 432, 371, 125, 126, 129,
D14/299; D16/300-342; 351/158, 153,
351/144; 345/7-9, 905; 455/344;
348/115, 53, 121, 739
CPC G02B 27/017; G02B 27/0158; G02B
27/0161; G02B 27/0181; G02B 27/0185;
G02B 27/0189
See application file for complete search history.

(56) **References Cited**

U.S. PATENT DOCUMENTS

5,305,181 A 4/1994 Schultz
5,819,183 A 10/1998 Voroba et al.
D464,971 S 10/2002 Pombo
D470,146 S 2/2003 Tan
D470,147 S 2/2003 Tan
D569,379 S 5/2008 Champion

OTHER PUBLICATIONS

“Motorola SG_WT 4023020-06R Wrist Mount with Long Strap”
<http://salestores.com/motorolasgwt.html#.WGQVaFMrKUK>. Retrieved
on Dec. 28, 2016.
WT4090-T2S1GER Specification Sheet. http://www.barcode-arena.com/wt4090-t2s1ger.html?gclid=CPKInOzR3soCFQqPaQodBEsE_A. Retrieved on Feb. 4, 2016.

(Continued)

Primary Examiner — Austin Murphy

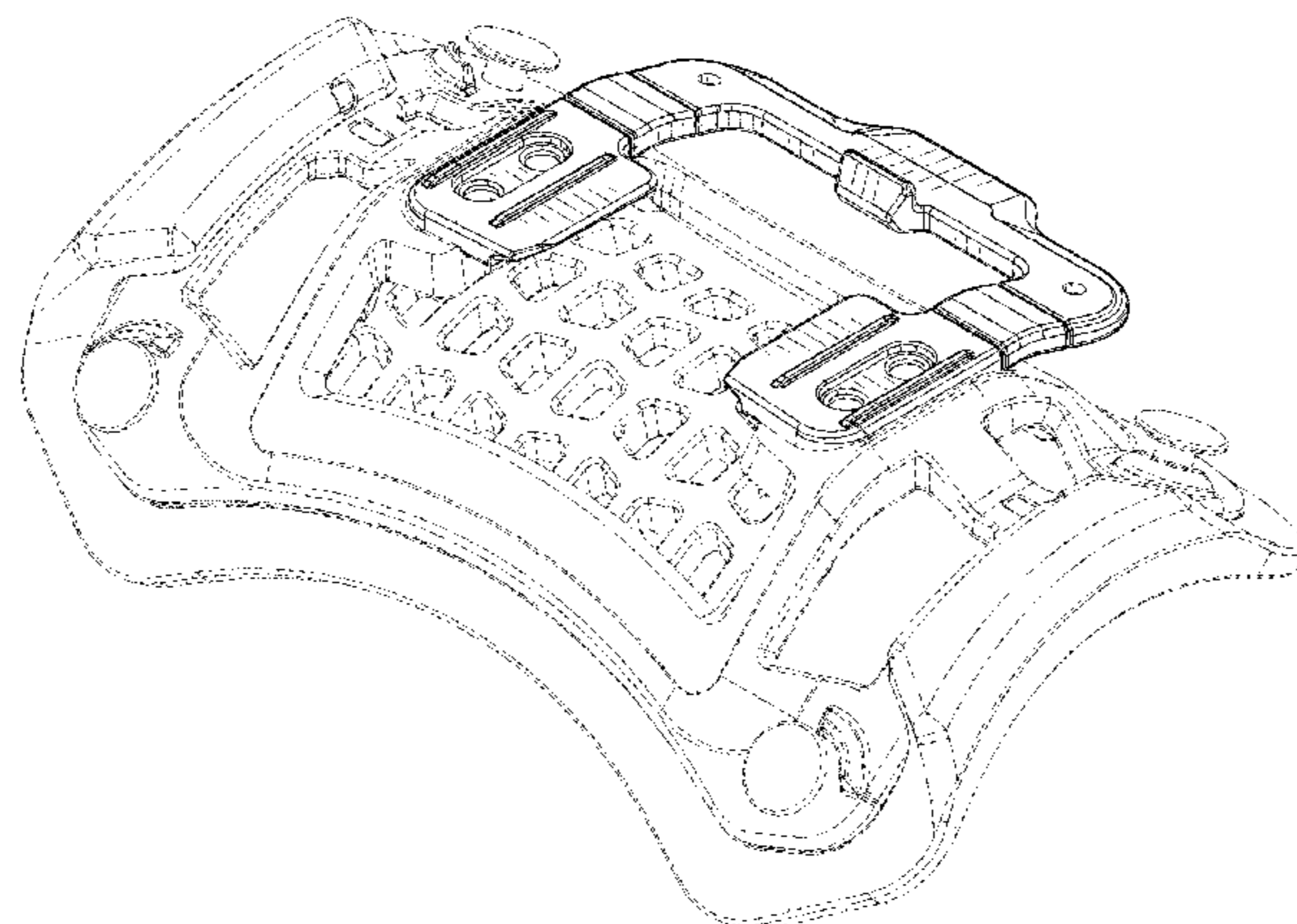
(57) **CLAIM**

We claim the ornamental design for a wearable device
mount, as shown and described.

DESCRIPTION

FIG. 1 is a perspective view of a wearable device mount
disclosed herein;
FIG. 2 is another perspective view thereof;
FIG. 3 is a top view thereof;
FIG. 4 is a bottom view thereof;
FIG. 5 is a front view thereof;
FIG. 6 is a back view thereof;
FIG. 7 is a first side view thereof;
FIG. 8 is a second side view thereof; and,
FIG. 9 is an exploded view thereof.
The broken lines are directed to environment and are for
illustrative purposes only. Broken lines form no part of
claimed design.

1 Claim, 8 Drawing Sheets



(56)

References Cited

U.S. PATENT DOCUMENTS

D772,969 S * 11/2016 Druker D16/242
9,693,622 B1 7/2017 Hackett et al.
D822,028 S * 7/2018 Hackett D14/432
D829,084 S * 9/2018 Velardi D8/380
D832,272 S * 10/2018 Tur D14/440
2005/0277452 A1 12/2005 Pasamba
2007/0145149 A1 6/2007 Carnevali
2007/0178950 A1 8/2007 Lewis et al.
2011/0294429 A1 12/2011 Shirakata et al.
2012/0080462 A1 4/2012 Hajarian
2012/0255978 A1* 10/2012 Williams A45F 5/00
224/219
2013/0235546 A1* 9/2013 Sedillo H05K 7/02
361/809
2014/0018128 A1 1/2014 Martin et al.
2014/0305985 A1 10/2014 Chang
2015/0208793 A1 7/2015 Schulz
2015/0223590 A1 8/2015 Arias-Tabima
2015/0288407 A1 10/2015 Hernandez
2016/0007158 A1 1/2016 Venkatraman et al.
2016/0013872 A1 1/2016 Astrand et al.
2016/0174674 A1 6/2016 Oberpriller et al.
2016/0218762 A1 7/2016 Tian et al.
2016/0242531 A1 8/2016 Zerfus
2016/0242708 A1 8/2016 Kaiser

OTHER PUBLICATIONS

BOA Closure System Quick Reference Guide 2015/2016. www.
BOATechnology.com.

* cited by examiner

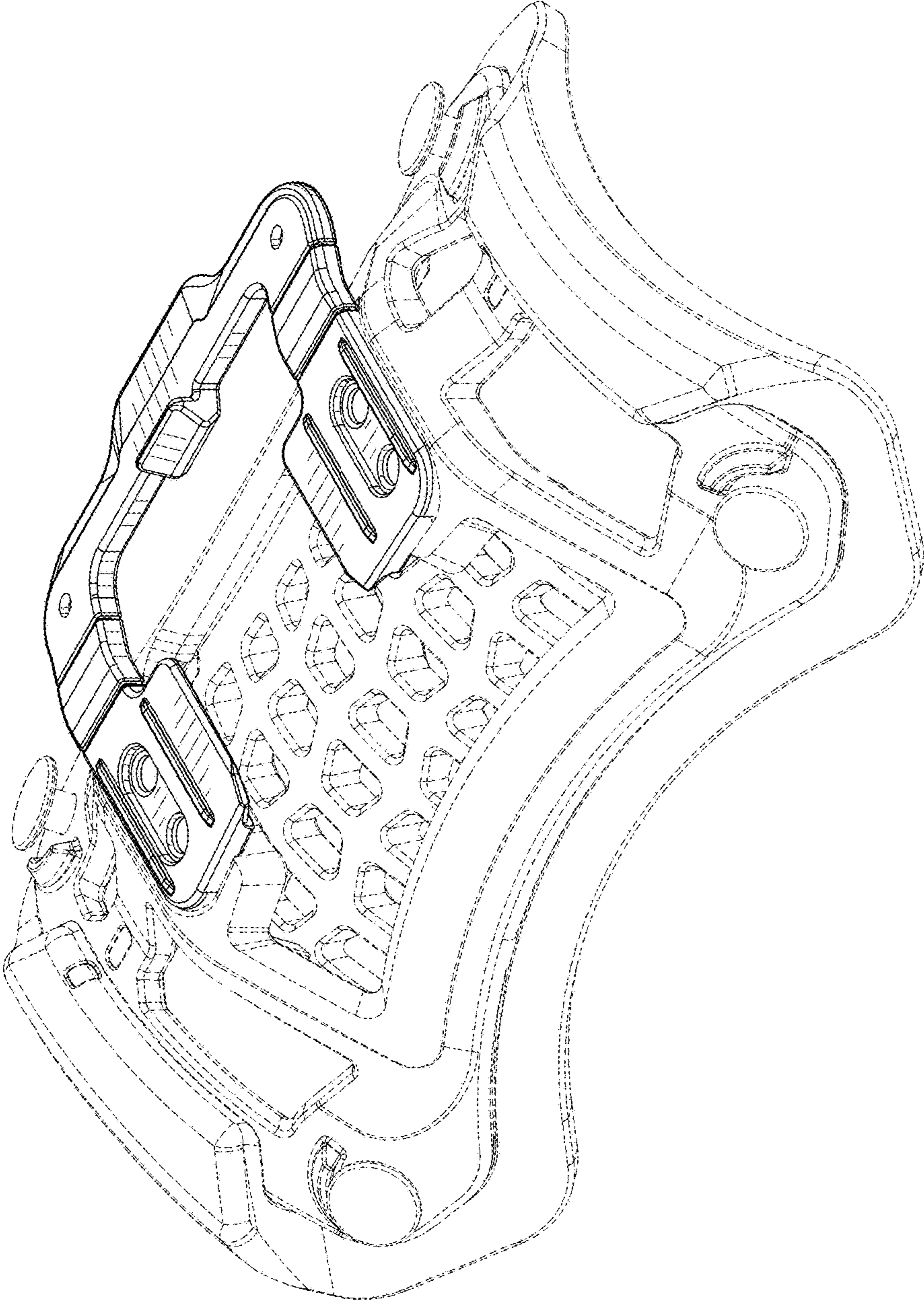


FIG. 1

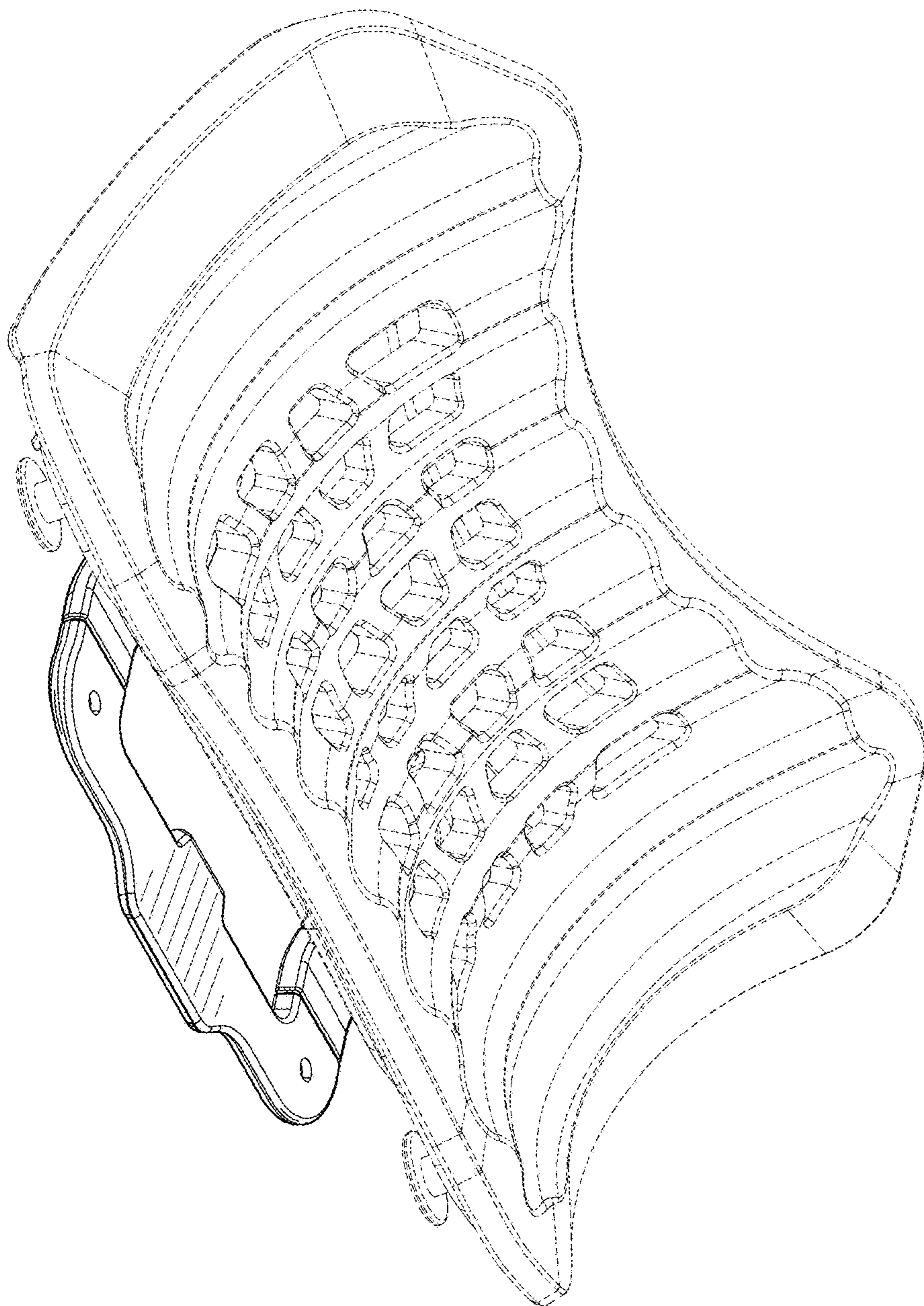


FIG. 2

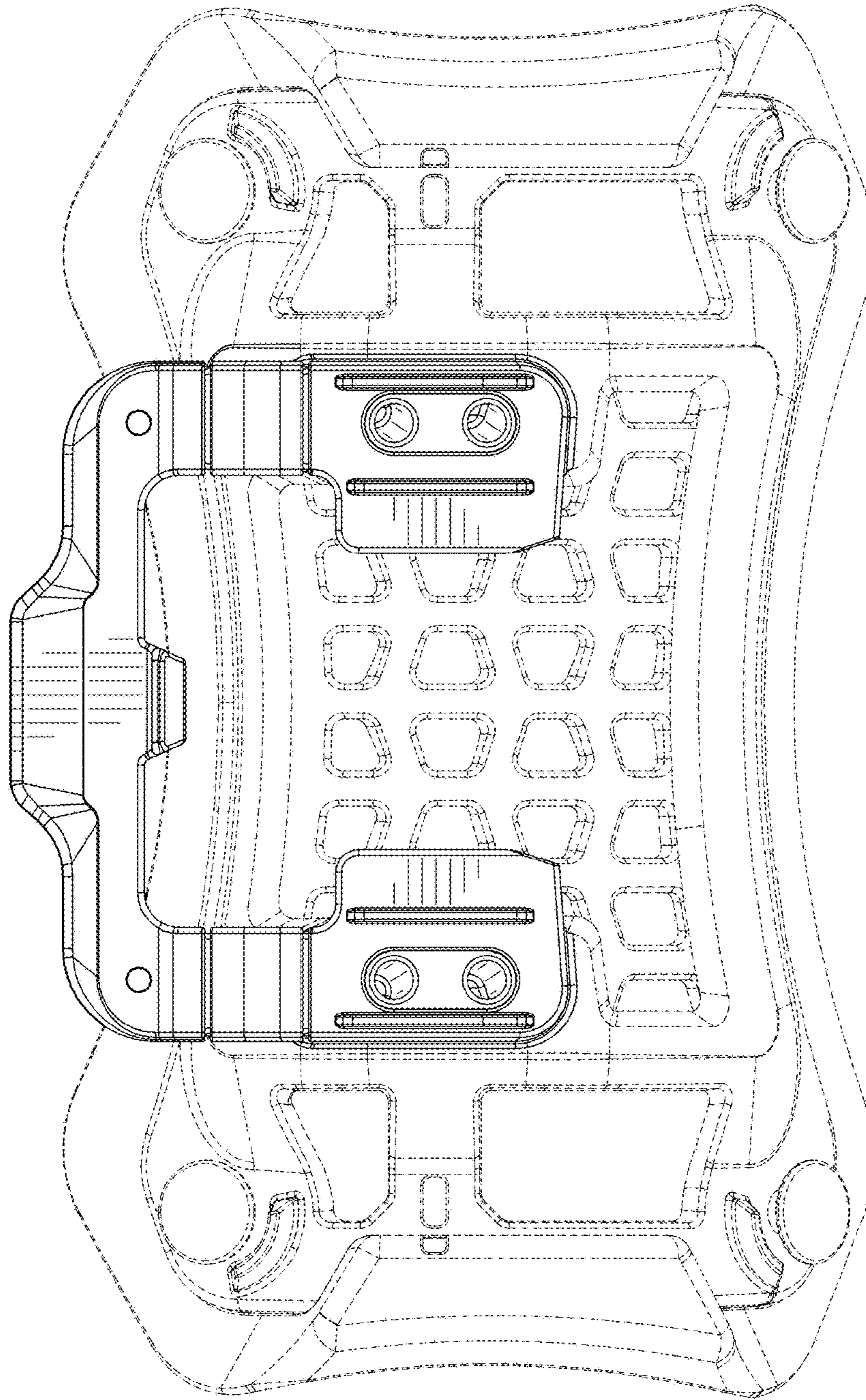


FIG. 3

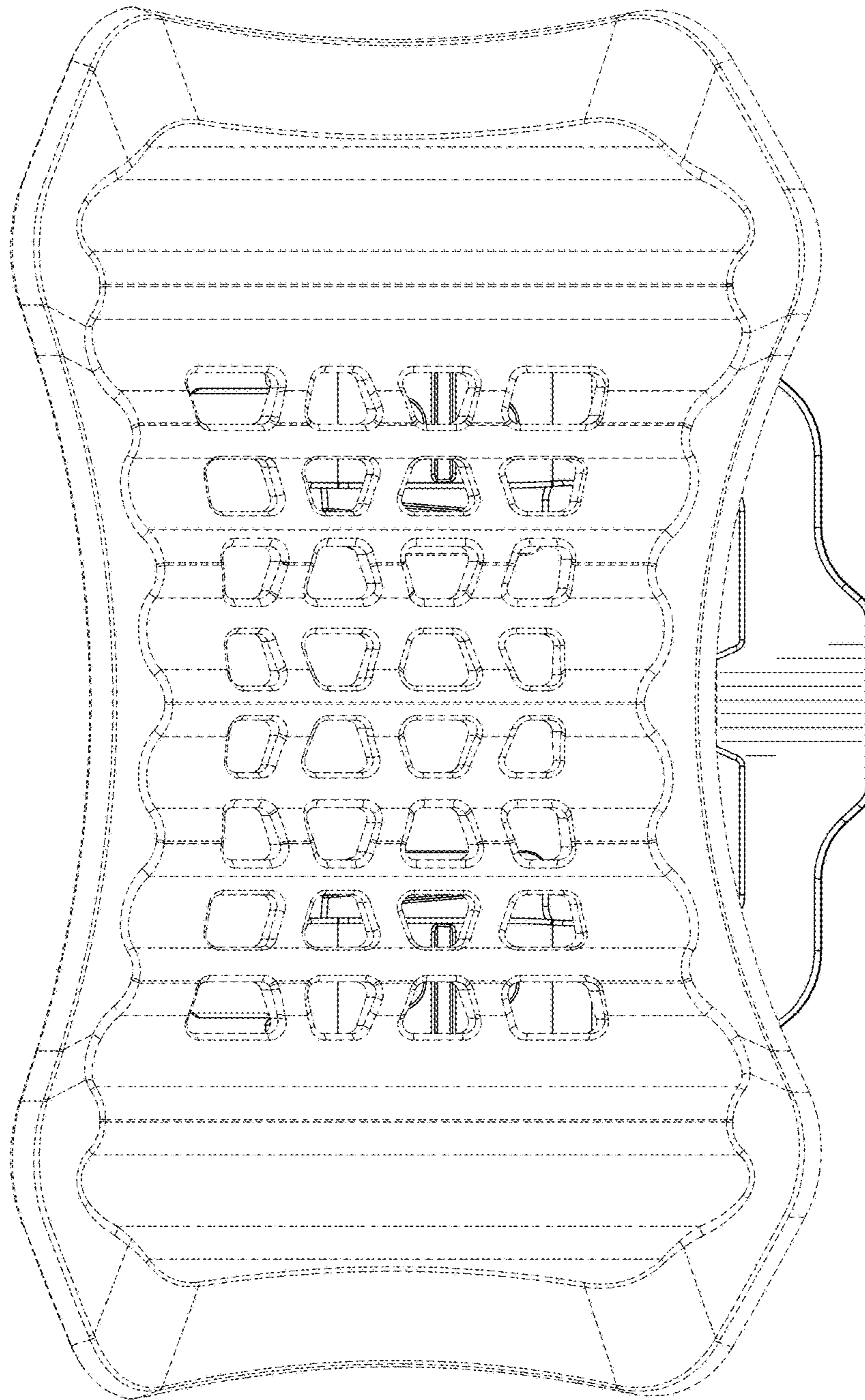


FIG. 4

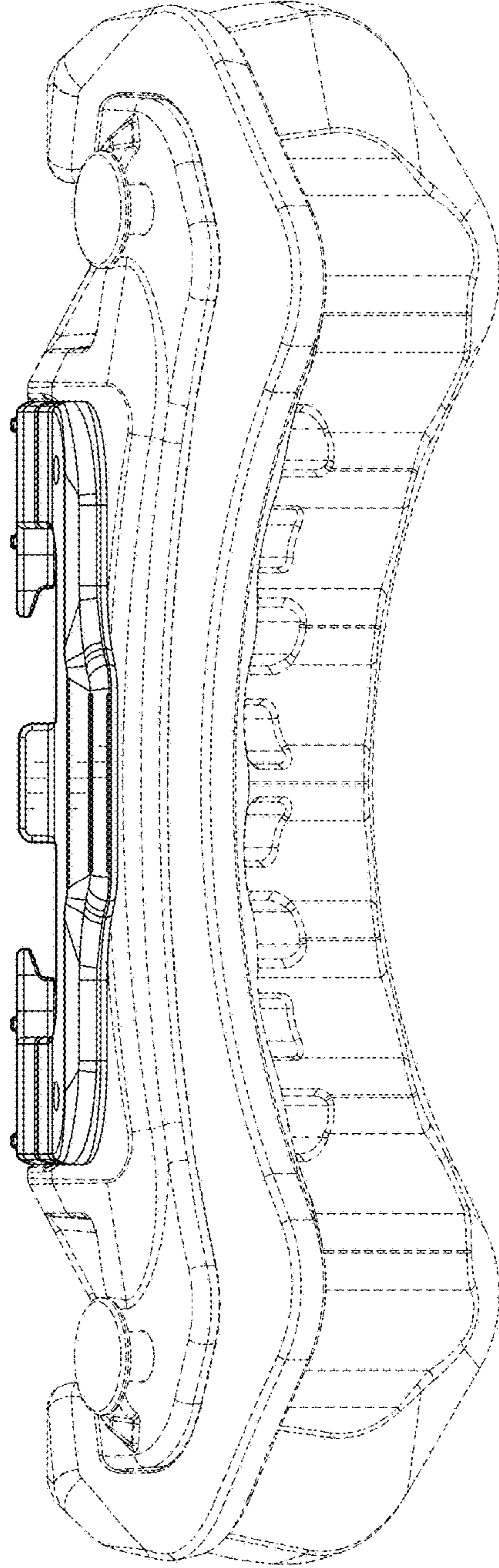


FIG. 5

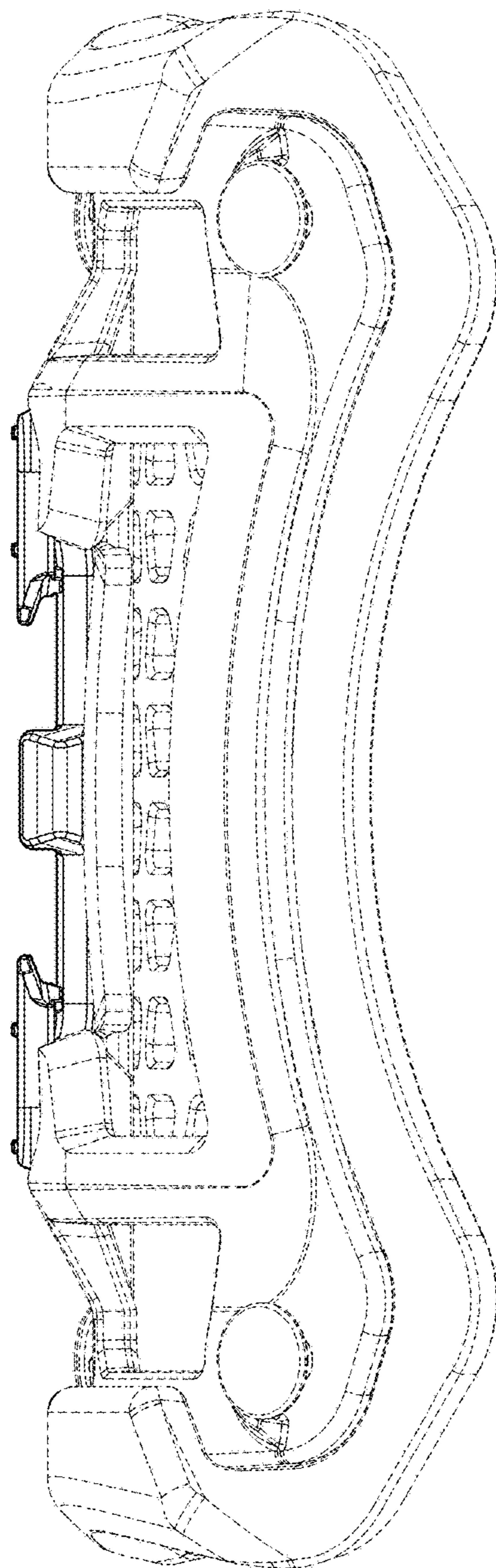


FIG. 6

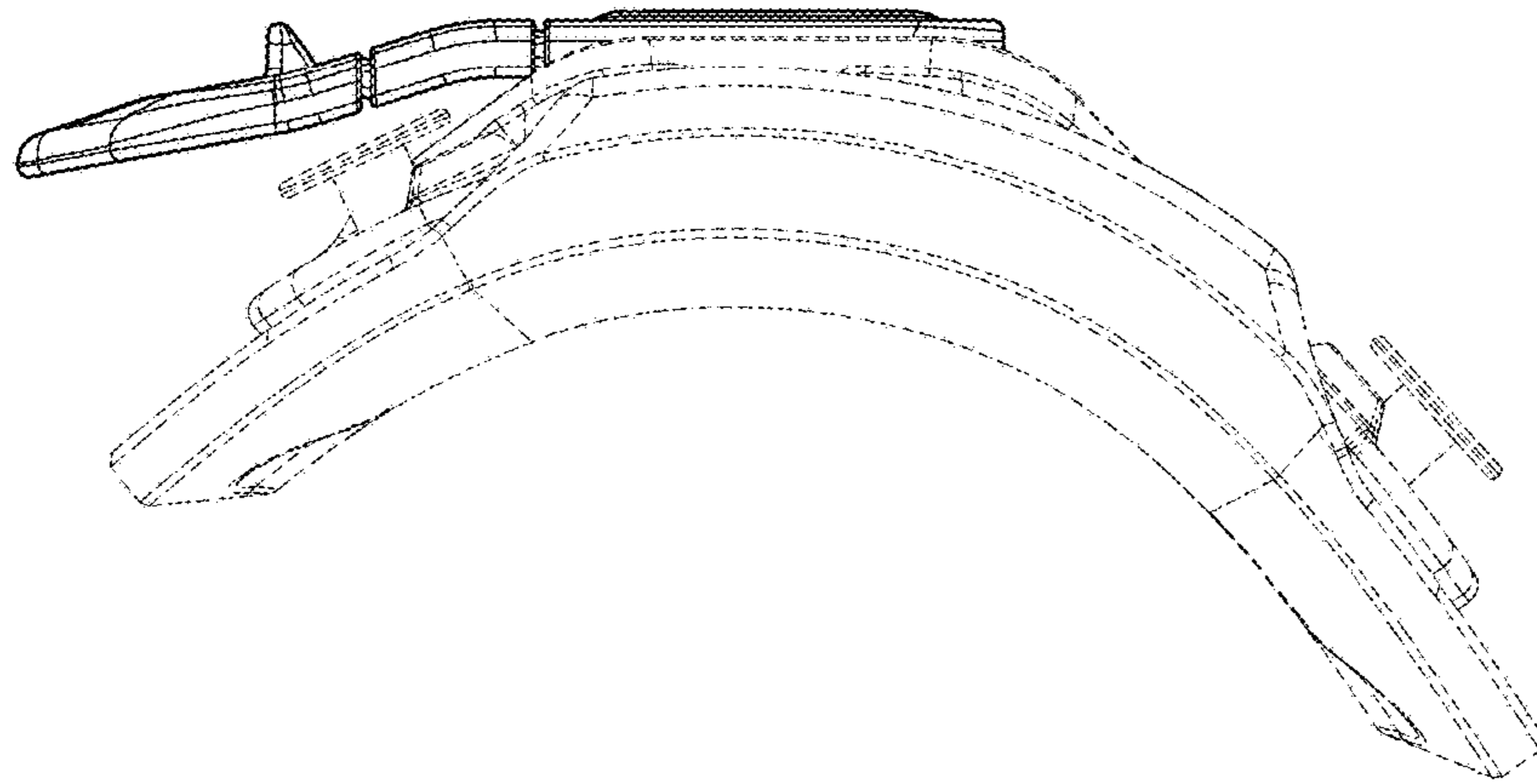


FIG. 7

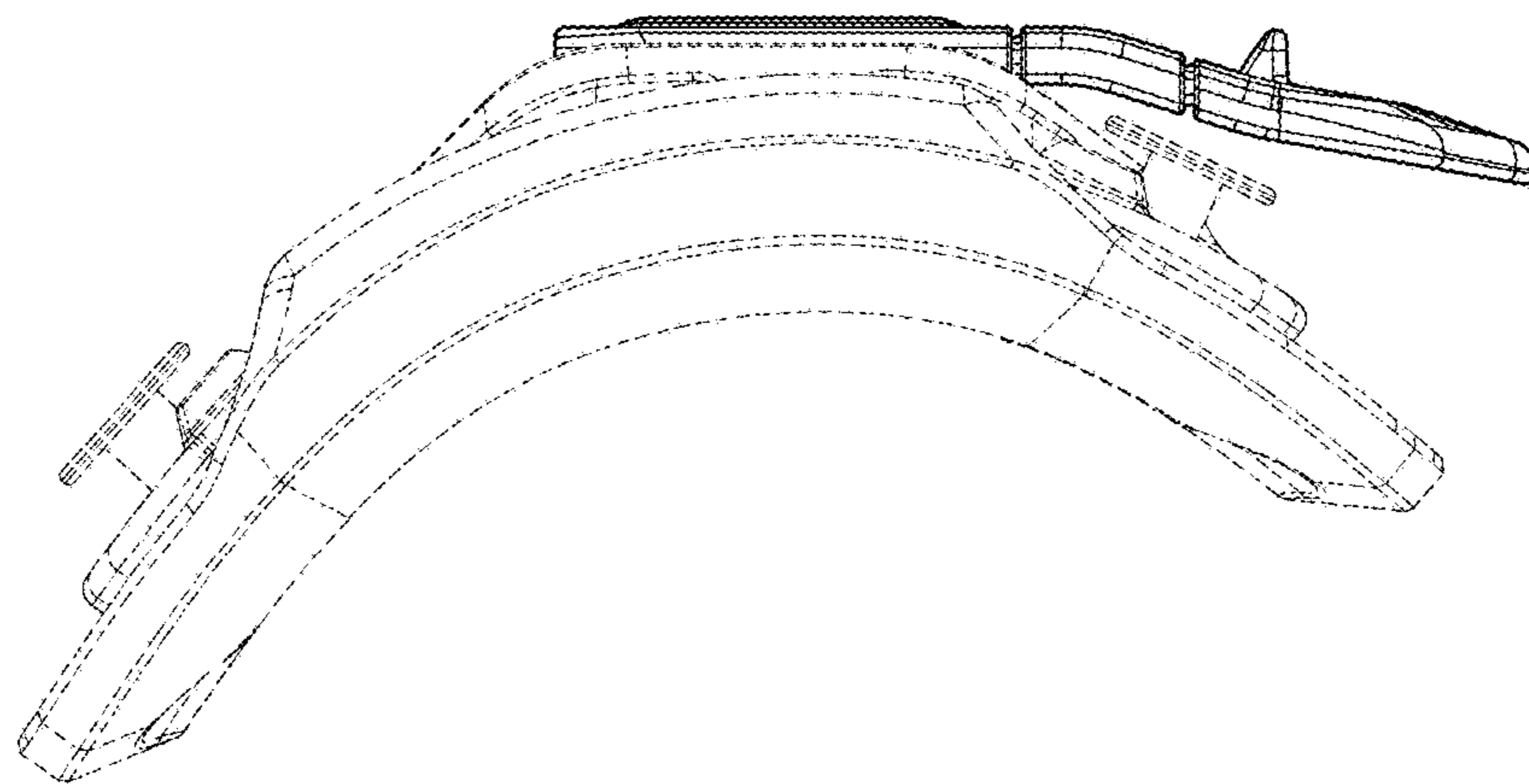


FIG. 8

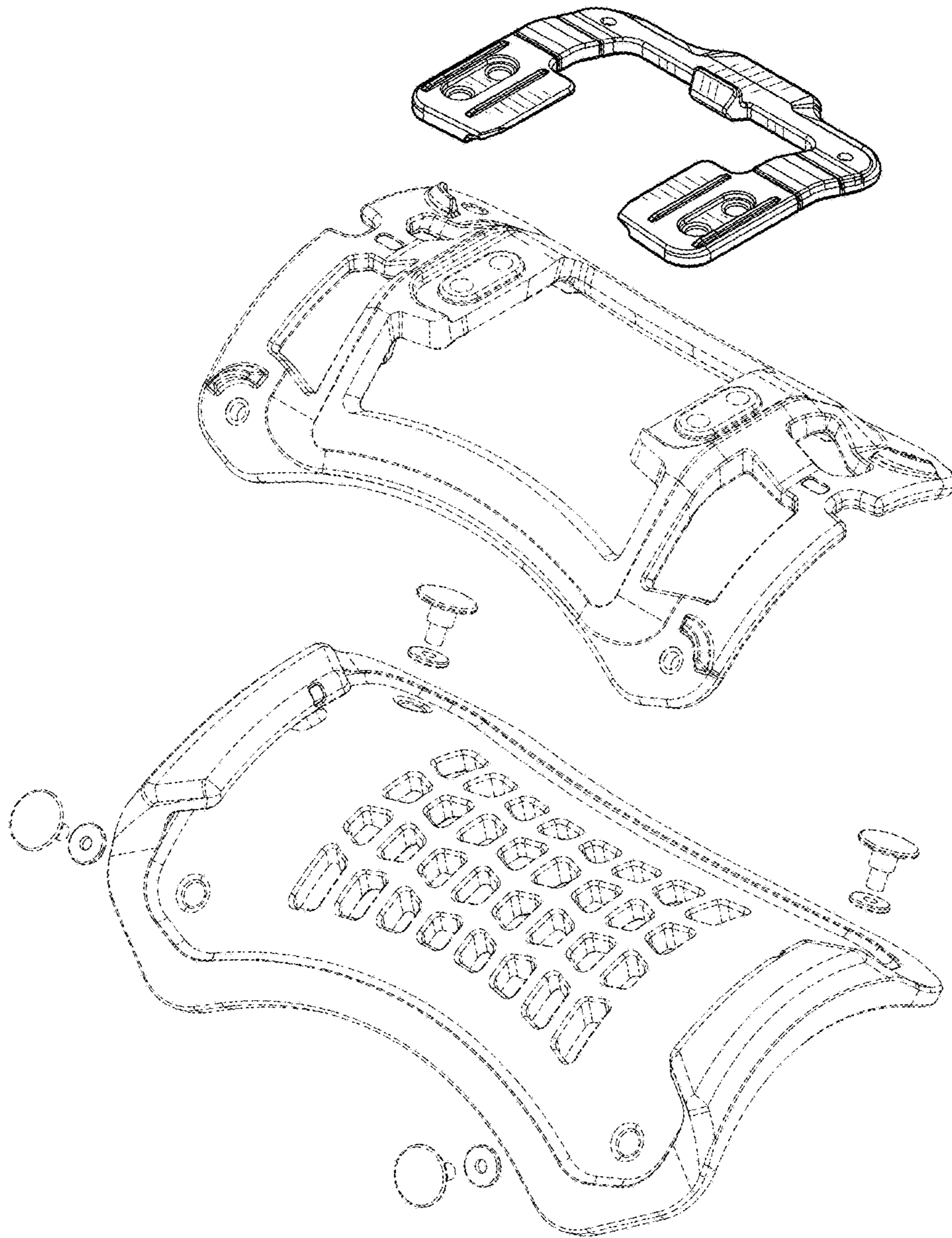


FIG. 9