



US00D859403S

(12) **United States Design Patent**
Reed et al.

(10) **Patent No.:** **US D859,403 S**

(45) **Date of Patent:** **** Sep. 10, 2019**

(54) **AUGMENTED REALITY HEADSET**

(71) Applicant: **Mira Labs, Inc.**, Los Angeles, CA (US)

(72) Inventors: **Montana Reed**, Los Angeles, CA (US);
Norio Fujikawa, San Francisco, CA (US); **Oliver Henderson**, San Francisco, CA (US); **Sean Missal**, San Francisco, CA (US)

(73) Assignee: **Mira Labs, Inc.**, Los Angeles, CA (US)

(**) Term: **15 Years**

(21) Appl. No.: **29/602,550**

(22) Filed: **May 1, 2017**

(51) **LOC (12) Cl.** **14-02**

(52) **U.S. Cl.**
USPC **D14/372**

(58) **Field of Classification Search**
USPC D14/372, 496, 432, 371, 125, 126, 129,
D14/299; D16/300-342; 351/158, 153,
351/144; 345/7-9, 905; 455/344;
348/115, 53, 121, 739
CPC G02B 27/017; G02B 27/0158; G02B
27/0161; G02B 27/0181; G02B 27/0185;
G02B 27/0189

See application file for complete search history.

(56) **References Cited**

U.S. PATENT DOCUMENTS

D738,374 S * 9/2015 Luckey D14/372
D749,580 S * 2/2016 Kim D14/372
D769,242 S * 10/2016 Kymm D14/372
9,599,822 B2 * 3/2017 Yoon G02B 3/08

D791,127 S * 7/2017 Sullivan D14/372
D791,129 S * 7/2017 Sullivan D14/372
D792,399 S * 7/2017 Thomas D14/372

(Continued)

Primary Examiner — Austin Murphy

(74) *Attorney, Agent, or Firm* — Buchalter, a professional corp.; Kari L. Barnes

(57) **CLAIM**

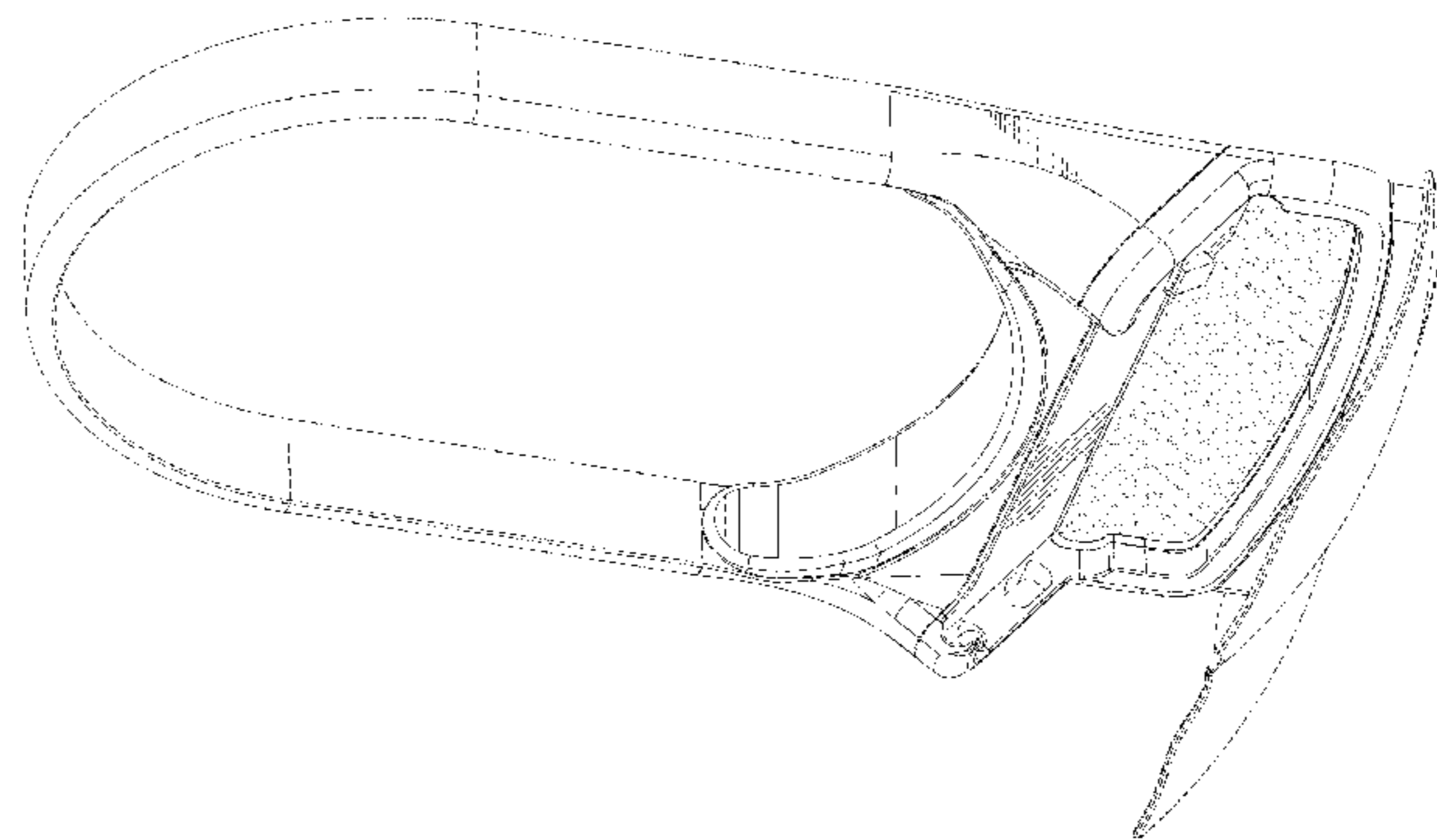
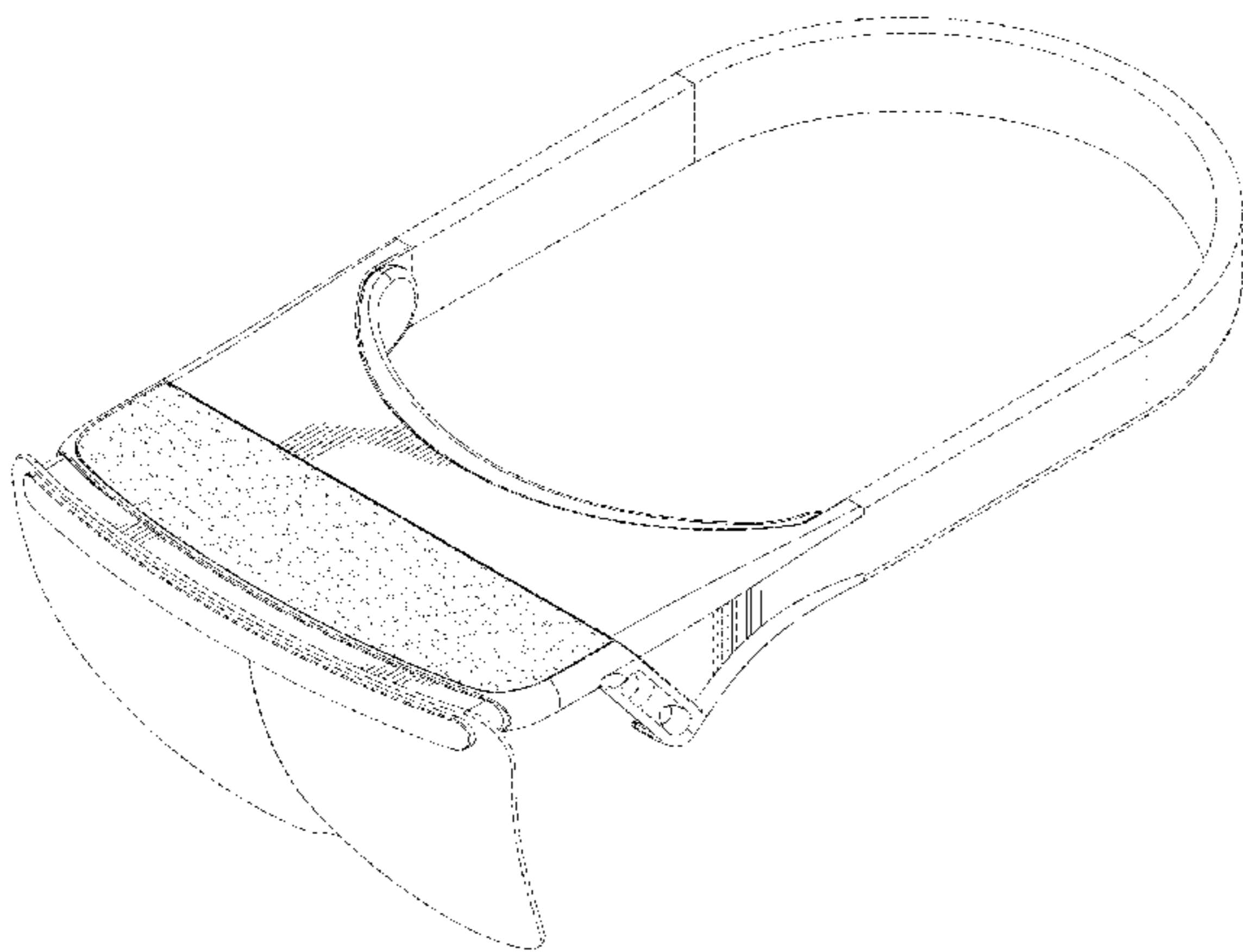
I claim the ornamental design for an augmented reality headset, as shown and described.

DESCRIPTION

FIG. 1 is a top perspective view of an augmented reality headset showing my new design in a non-use configuration; FIG. 2 is a bottom perspective view of the augmented reality headset in a non-use configuration illustrated in FIG. 1; FIG. 3 is a front perspective view of the augmented reality headset in a non-use configuration illustrated in FIG. 1; FIG. 4 is a right side elevation view of the augmented reality headset in a non-use configuration illustrated in FIG. 1; FIG. 5 is a left side elevation view of the augmented reality headset in a non-use configuration illustrated in FIG. 1; FIG. 6 is a front side elevation view of the augmented reality headset in a non-use configuration illustrated in FIG. 1; FIG. 7 is a back side elevation view of the augmented reality headset in a non-use configuration illustrated in FIG. 1; FIG. 8 is a top side elevation view of the augmented reality headset in a non-use configuration illustrated in FIG. 1; and, FIG. 9 is a bottom side elevation view of the augmented reality headset in a non-use configuration illustrated in FIG. 1.

The broken lines are included for the purpose of illustrating environmental subject matter and form no part of the claimed design.

1 Claim, 7 Drawing Sheets



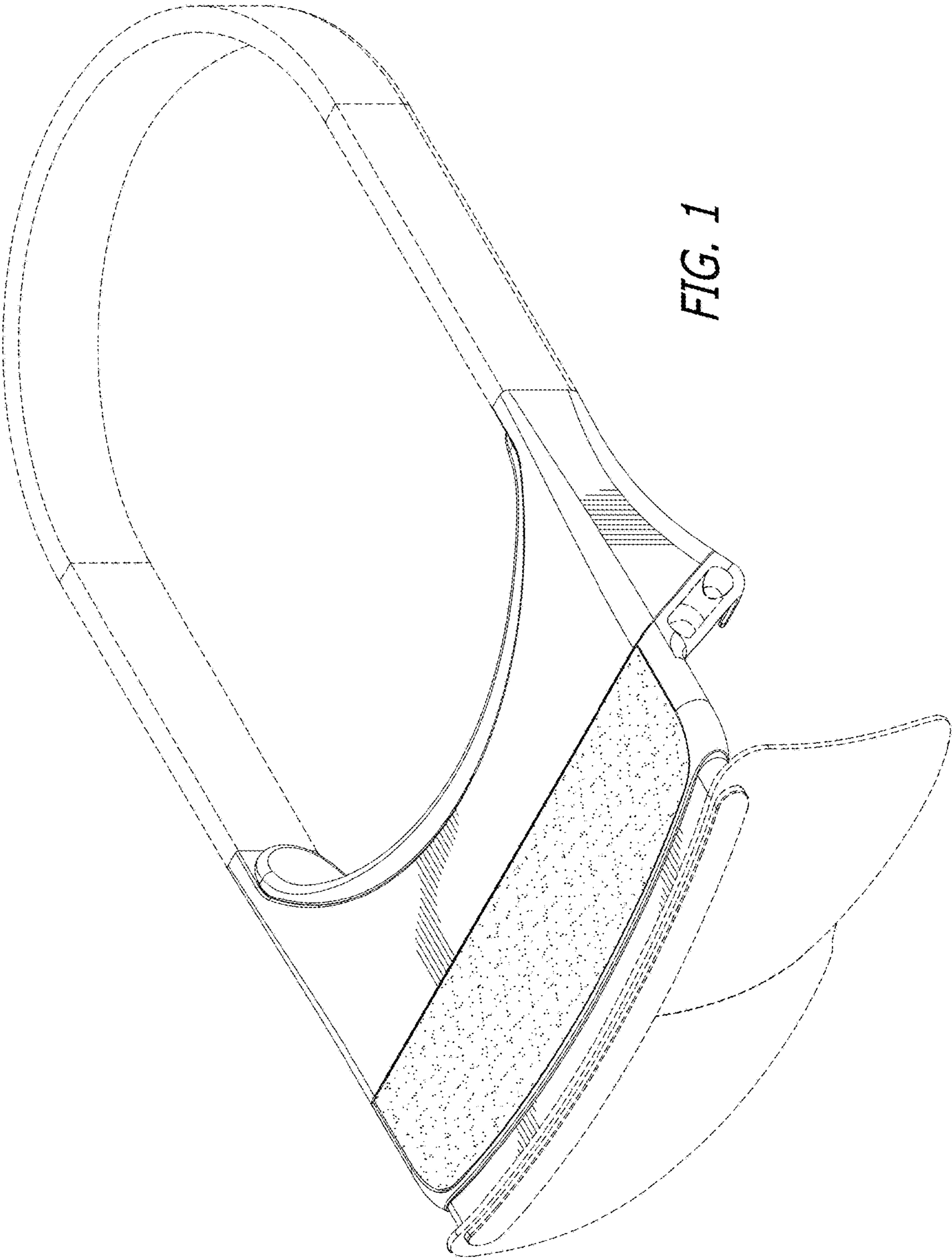
(56)

References Cited

U.S. PATENT DOCUMENTS

9,706,286 B1 * 7/2017 Patel H04R 1/105
 D800,117 S * 10/2017 Yee D14/372
 9,776,084 B2 * 10/2017 Allin G06F 3/0325
 D801,970 S * 11/2017 Sullivan D14/372
 9,810,911 B2 * 11/2017 Miller F16M 13/00
 9,832,561 B2 * 11/2017 Morris H04R 1/1066
 9,837,043 B1 * 12/2017 Patel G09G 5/006
 9,846,483 B2 * 12/2017 Petrov G06F 3/015
 D807,354 S * 1/2018 Yee D14/372
 9,857,596 B2 * 1/2018 Drinkwater G02B 27/0176
 D810,081 S * 2/2018 Lin D14/372
 D810,743 S * 2/2018 Yee D14/372
 D812,612 S * 3/2018 Gribetz D14/372
 9,927,618 B2 * 3/2018 Allin G02B 27/0176
 D820,259 S * 6/2018 Lee D14/372
 D822,659 S * 7/2018 Spio D14/372
 D825,560 S * 8/2018 Gribetz D14/372
 D825,561 S * 8/2018 Gribetz D14/372
 D827,015 S * 8/2018 Chen D16/312
 D844,605 S * 4/2019 Yeh D14/372
 2013/0327909 A1 * 12/2013 Freeland A45F 5/00
 248/224.7
 2014/0152550 A1 * 6/2014 Beall G06F 3/012
 345/156
 2016/0249124 A1 * 8/2016 Drinkwater G06F 1/1605

* cited by examiner



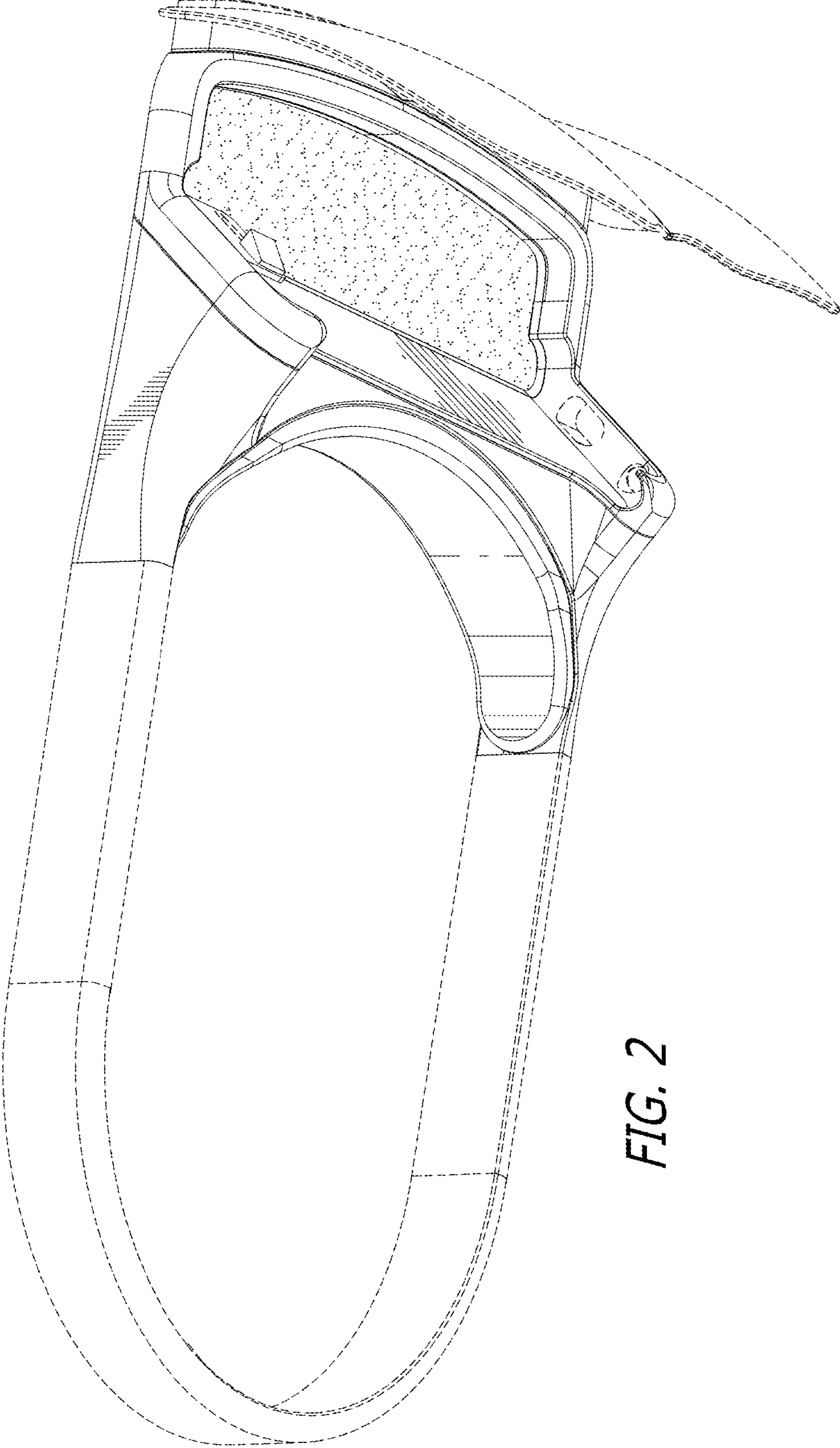


FIG. 2

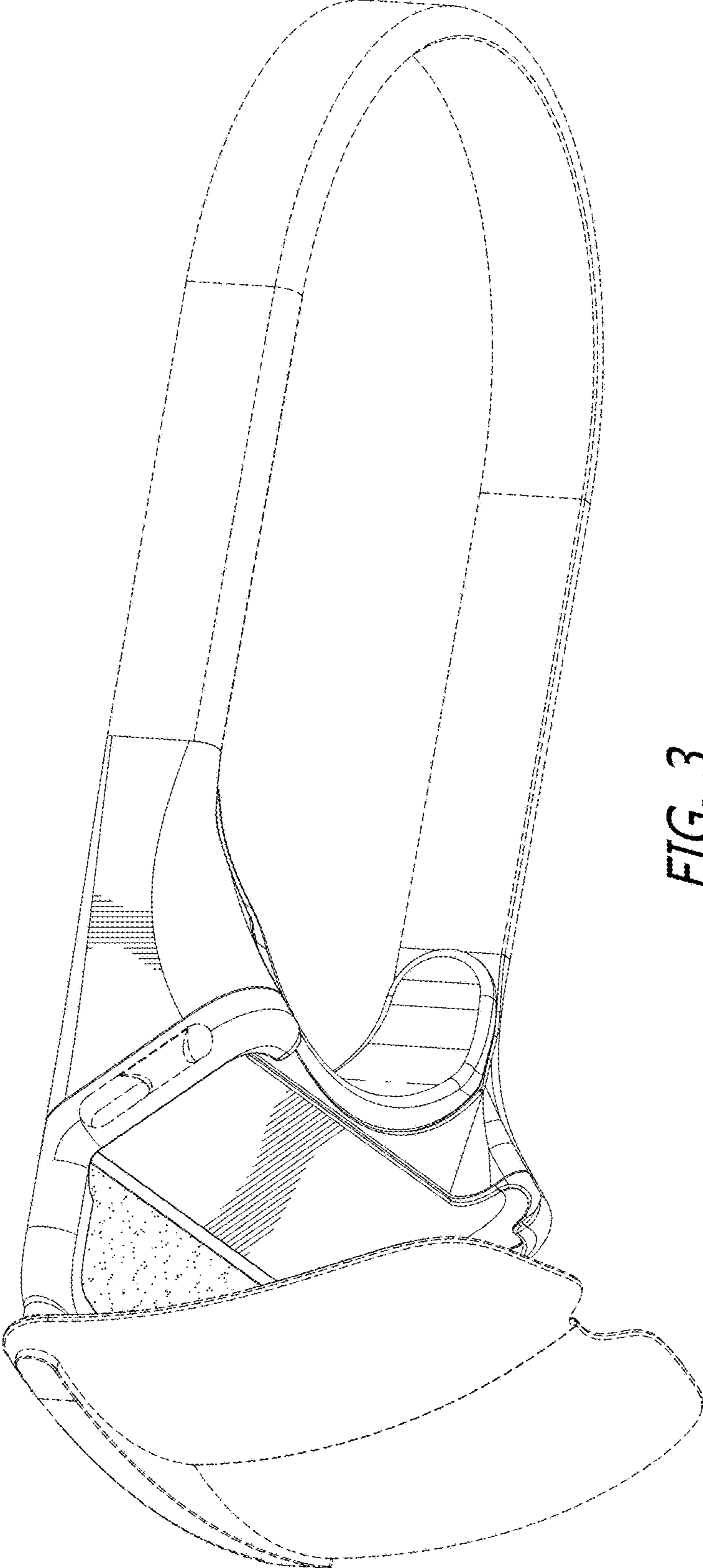
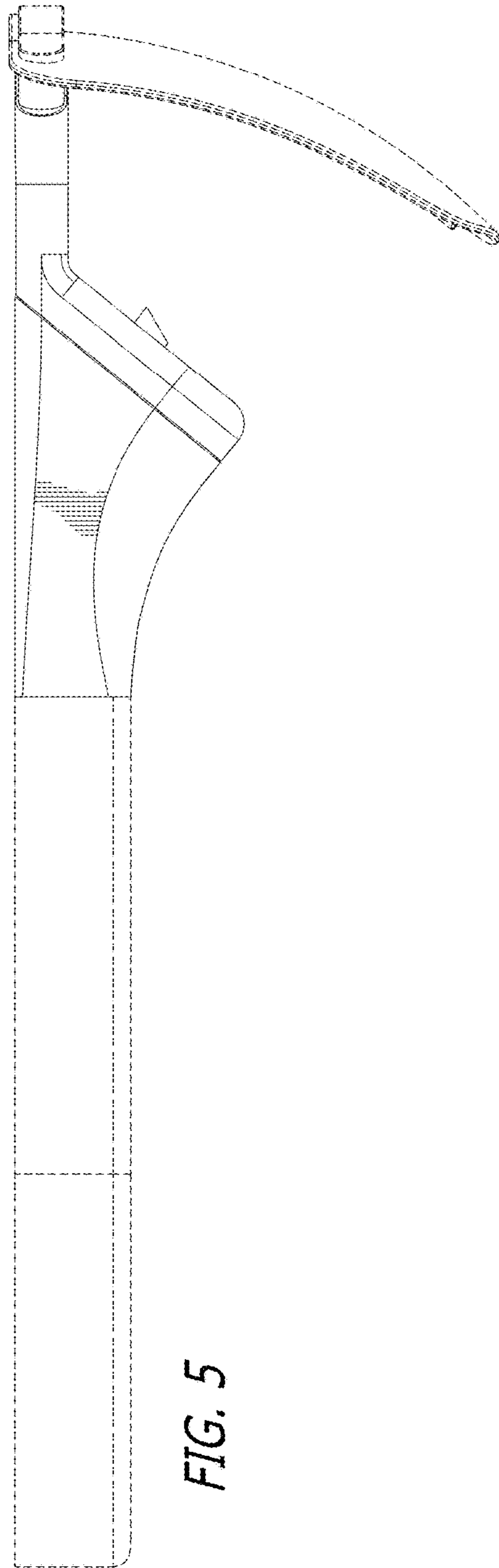
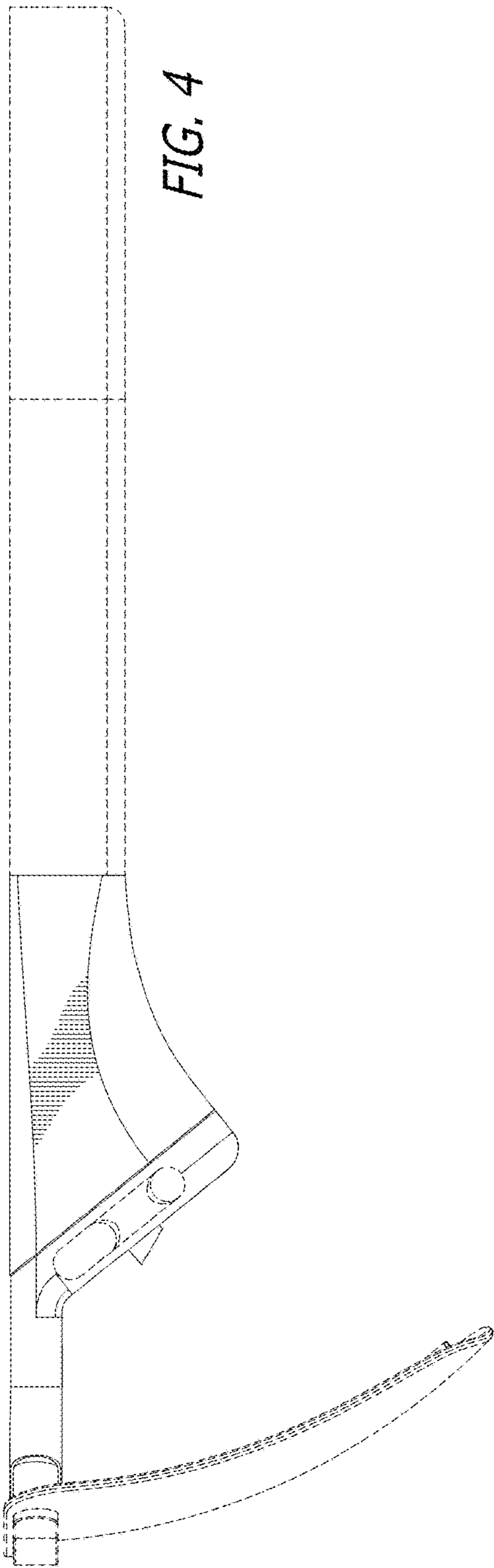


FIG. 3



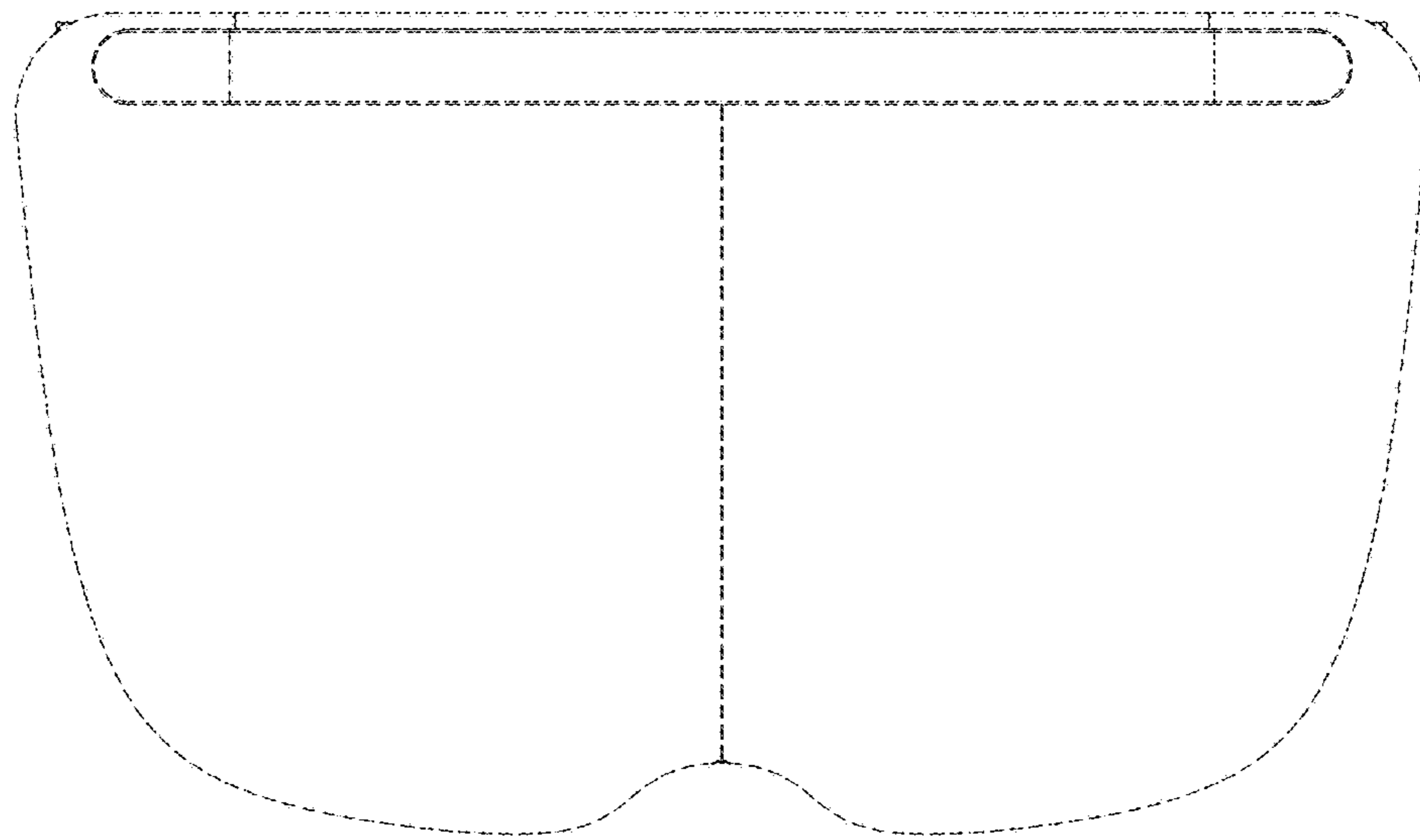


FIG. 6

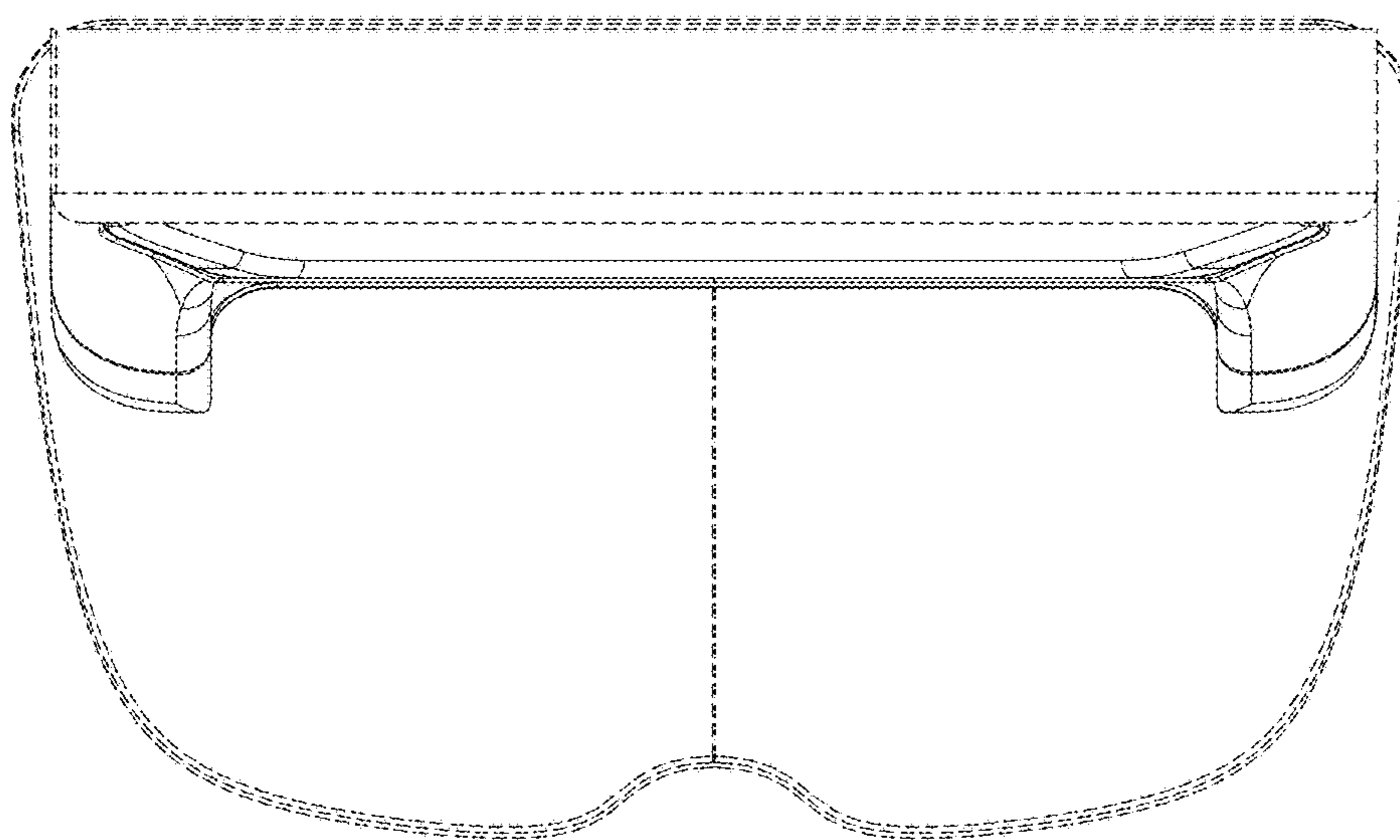


FIG. 7

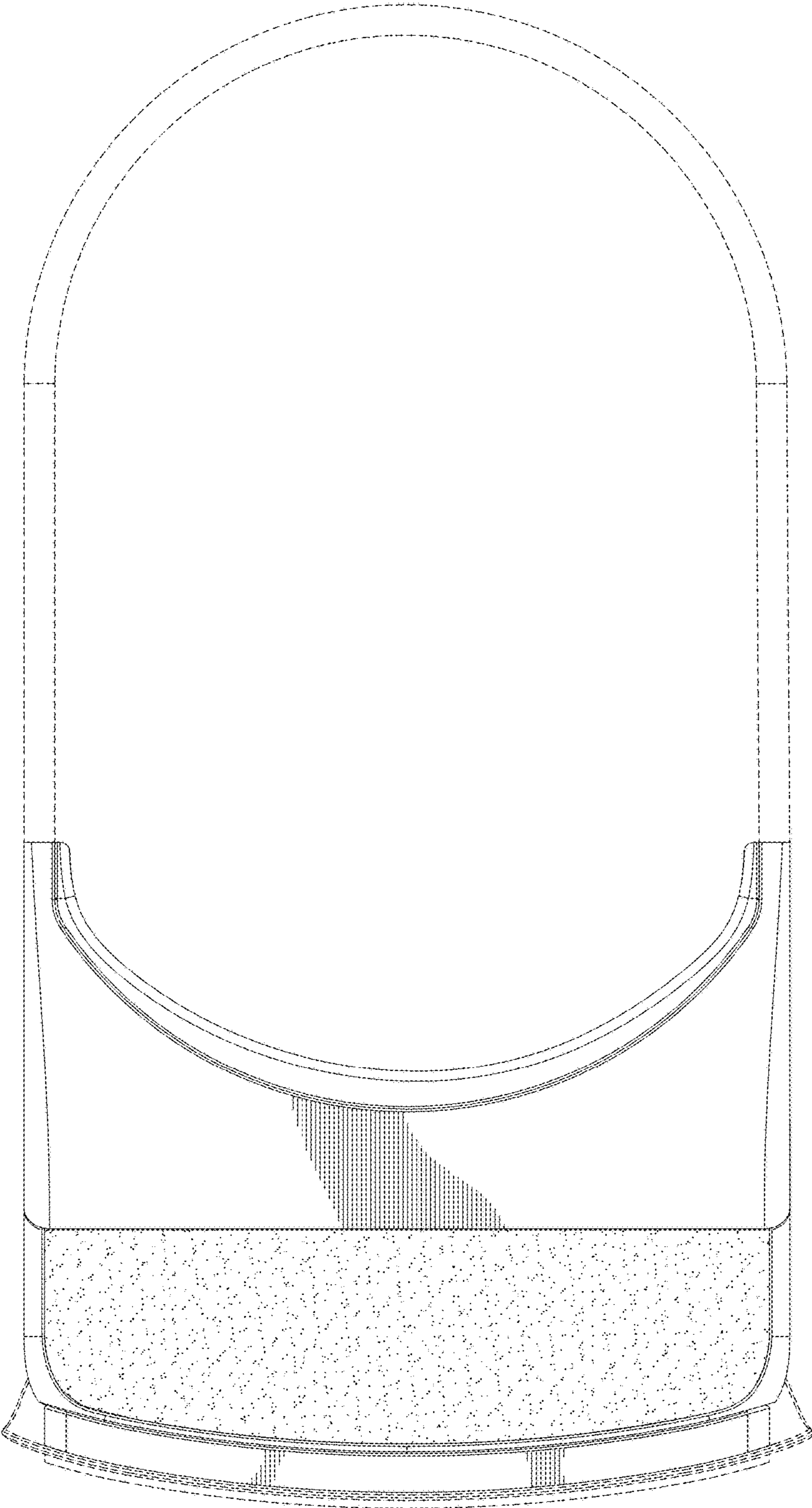


FIG. 8

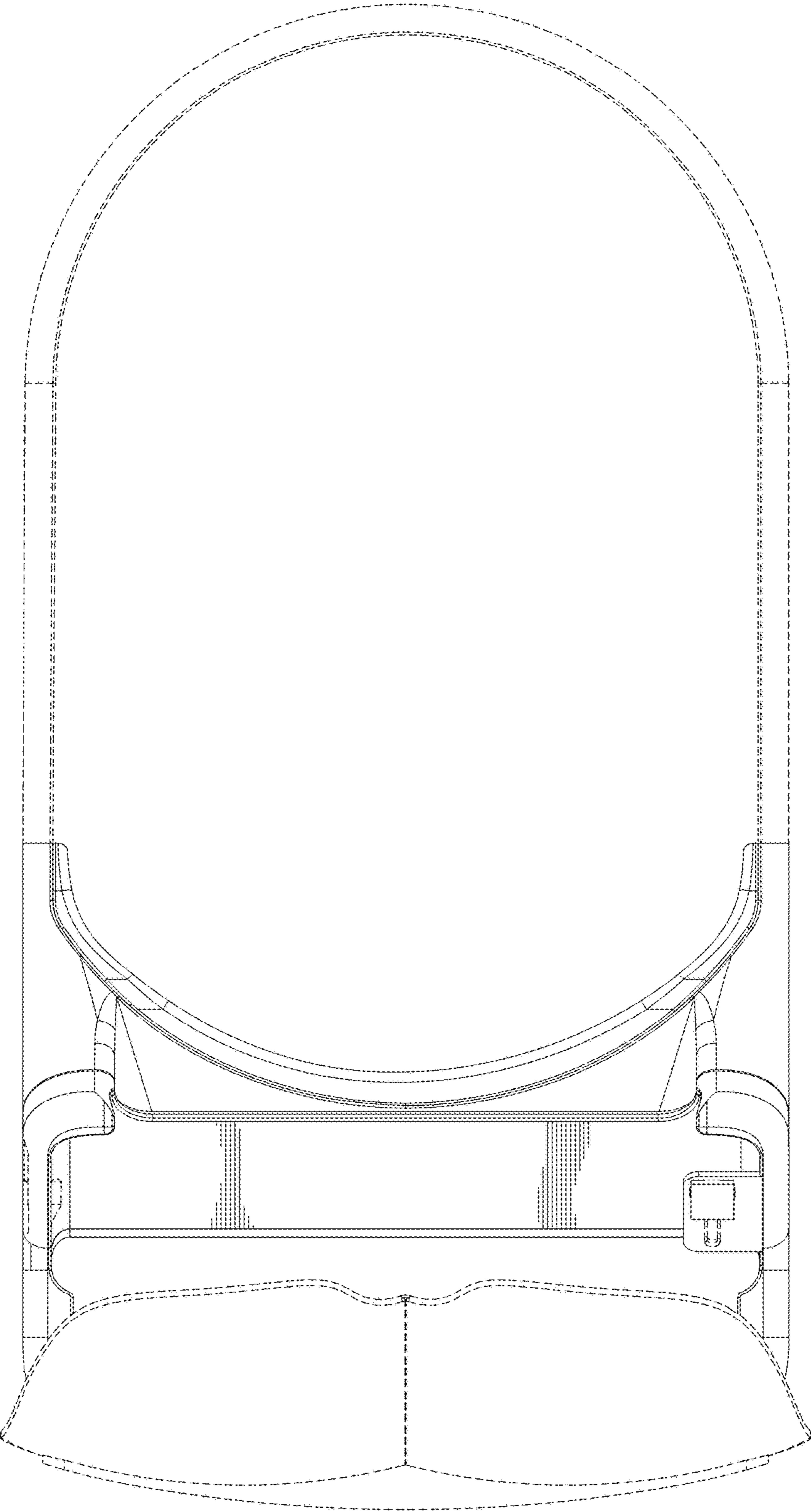


FIG. 9