



US00D859401S

(12) **United States Design Patent** (10) **Patent No.:** **US D859,401 S**  
**Kim** (45) **Date of Patent:** **\*\* Sep. 10, 2019**

(54) **WIRELESS COMMUNICATION DEVICE**

(71) Applicant: **HelloFactory Co., Ltd.**, Seoul (KR)

(72) Inventor: **Kyungmin Kim**, Seoul (KR)

(73) Assignee: **HelloFactory Co., Ltd.** (KR)

(\*\*) Term: **15 Years**

(21) Appl. No.: **29/638,161**

(22) Filed: **Feb. 24, 2018**

(51) **LOC (12) Cl.** ..... **14-02**

(52) **U.S. Cl.**  
USPC ..... **D14/358**; D14/240

(58) **Field of Classification Search**  
USPC ..... D13/162, 168, 184; D14/216, 218, 240,  
D14/358; D10/49, 50, 52  
CPC .... H03J 1/0025; H03J 9/00; H03J 9/02; H03J  
9/04; H03J 9/06; H04B 1/202; G06F  
1/181; G05B 11/01; G08C 17/00; G08C  
17/02; H05K 7/1424; H05K 7/1427;  
H05K 7/16; H01Q 1/007; H04W  
52/0206; H04W 88/08; H04W 88/085;  
H04W 88/10; H04W 88/12; H04W 88/16;  
H04L 67/306

See application file for complete search history.

(56) **References Cited**

**U.S. PATENT DOCUMENTS**

D96,018 S *	6/1935	Cannon	.....	D14/251
D501,848 S *	2/2005	Uehara	.....	D14/240
D541,228 S *	4/2007	Thursfield	.....	D13/168
D581,414 S *	11/2008	Tellier	.....	D14/358
D620,884 S *	8/2010	Lee	.....	D13/108
D662,939 S *	7/2012	Akana	.....	D14/447
D693,814 S *	11/2013	Park	.....	D14/434
D701,831 S *	4/2014	Park	.....	D13/108
D725,285 S *	3/2015	Wohlstadter	.....	D14/336
D727,877 S *	4/2015	Seoc	.....	D14/209.1

D743,954 S *	11/2015	Chuang	.....	D13/168
D756,811 S *	5/2016	Xiao	.....	D10/52
D776,656 S *	1/2017	Lagerstedt	.....	D14/240
D776,657 S *	1/2017	Lagerstedt	.....	D14/240
9,581,342 B2 *	2/2017	Daniels	.....	F24D 19/10
D780,728 S *	3/2017	Shin	.....	D14/242
D781,274 S *	3/2017	Kim	.....	D14/242
D783,002 S *	4/2017	Pool	.....	D14/218
D786,200 S *	5/2017	Lagerstedt	.....	D13/168
D806,709 S *	1/2018	Gummalla	.....	D14/358
D811,392 S *	2/2018	Lu	.....	D14/358
D836,569 S *	12/2018	Kim	.....	D13/168
2010/0232799 A1 *	9/2010	Lueck	.....	H04B 10/1149 398/118
2014/0286641 A1 *	9/2014	Yee	.....	G08C 23/04 398/107

(Continued)

**OTHER PUBLICATIONS**

BLUEPYC: <http://www.bluepyc.com/products-portfolio/bluepyc-ble-echo beacon/>, 1pg (Year: 2017).\*

*Primary Examiner* — Selina Sikder

(74) *Attorney, Agent, or Firm* — Renaissance IP Law Group LLP

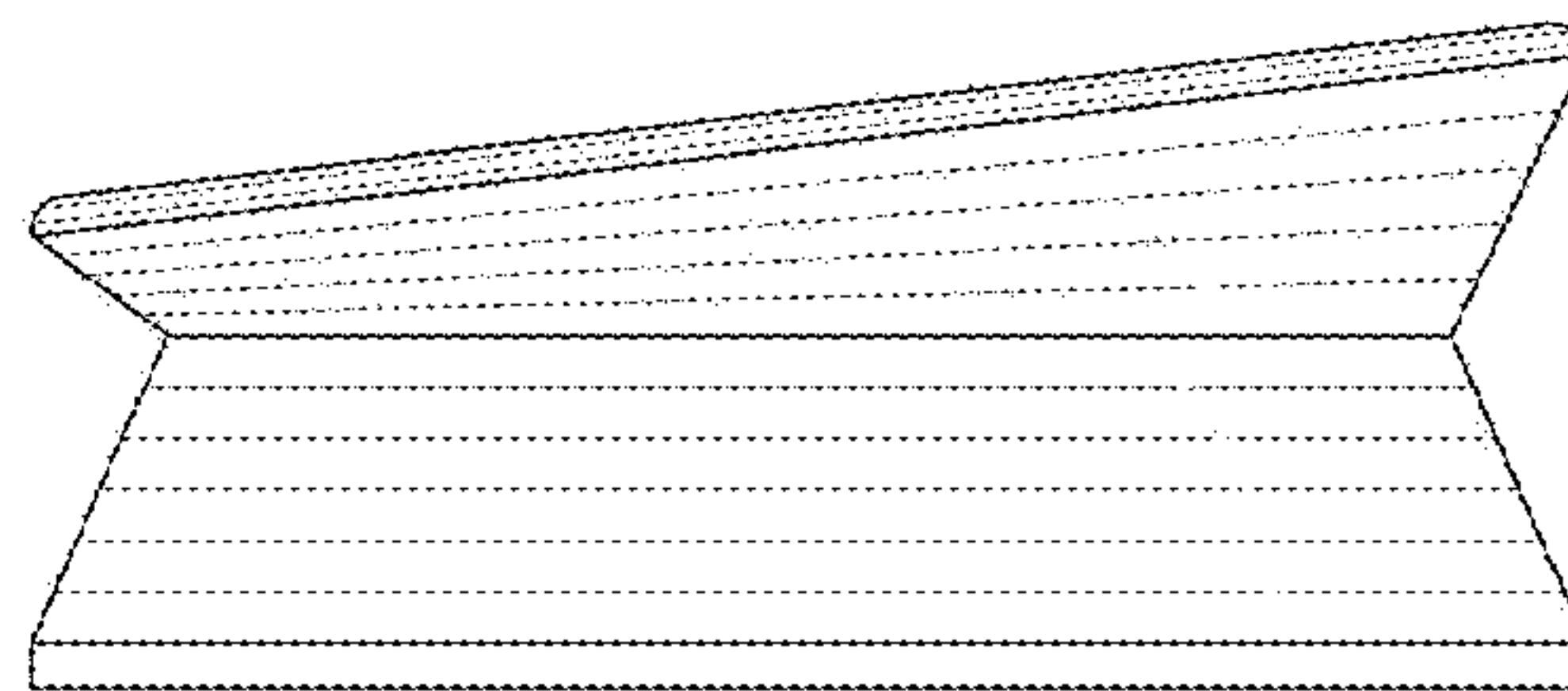
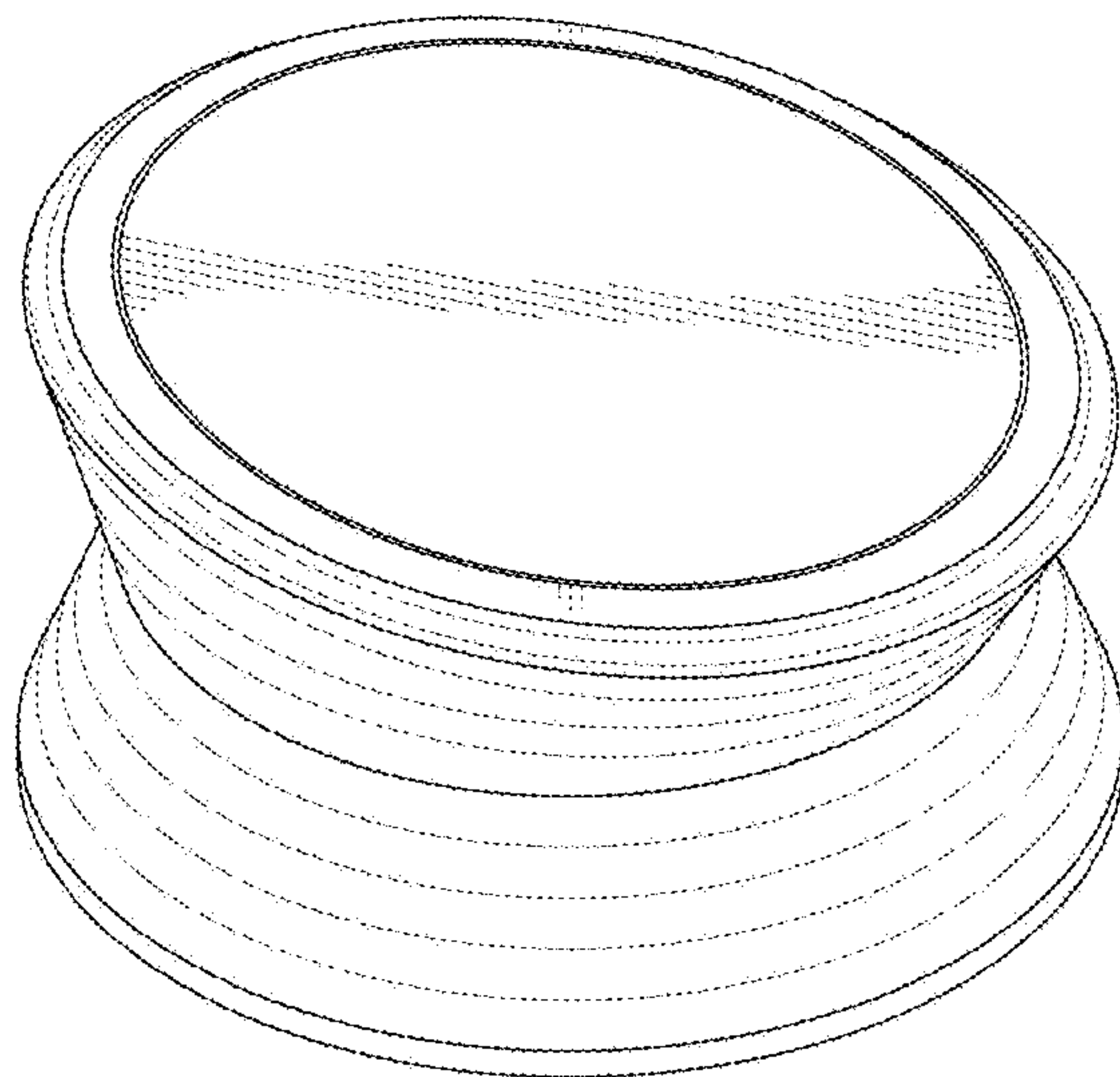
(57) **CLAIM**

The ornamental design for wireless communication device, as shown and described.

**DESCRIPTION**

FIG. 1 is a front perspective view of a wireless communication device showing my new ornamental design; FIG. 2 is a front view thereof; FIG. 3 is a rear view thereof; FIG. 4 is a left view thereof; FIG. 5 is a right view thereof; FIG. 6 is a top view thereof; and, FIG. 7 is a bottom view thereof.

**1 Claim, 6 Drawing Sheets**



(56)

**References Cited**

U.S. PATENT DOCUMENTS

2014/0341585 A1\* 11/2014 Lee ..... G08C 17/02  
398/106  
2016/0308615 A1\* 10/2016 Videv ..... H04B 10/1129  
2018/0374322 A1\* 12/2018 Kim ..... H04B 5/02  
2019/0090114 A1\* 3/2019 Van Meter, II ..... G06Q 50/10

\* cited by examiner

FIG. 1

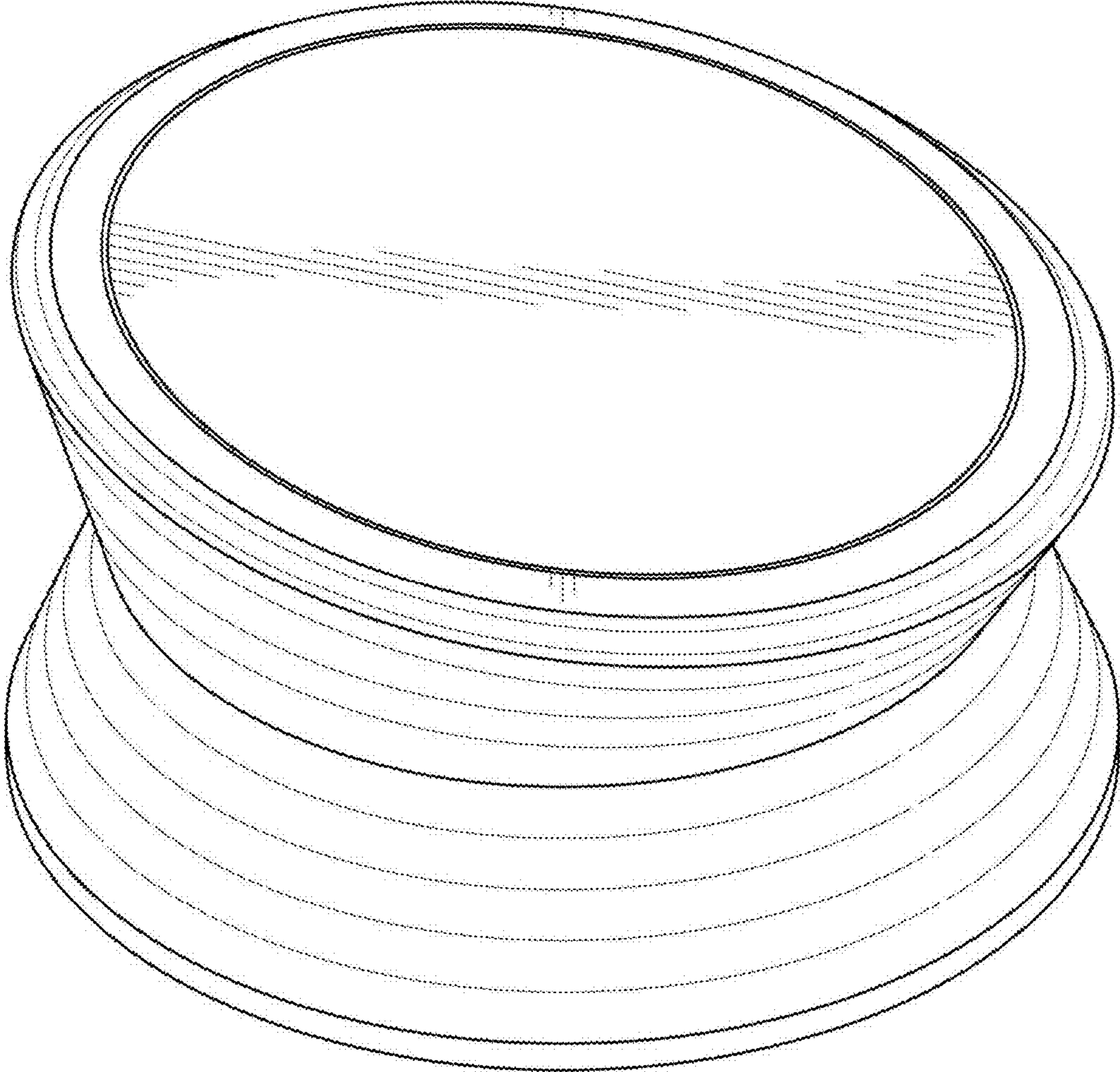




FIG. 2

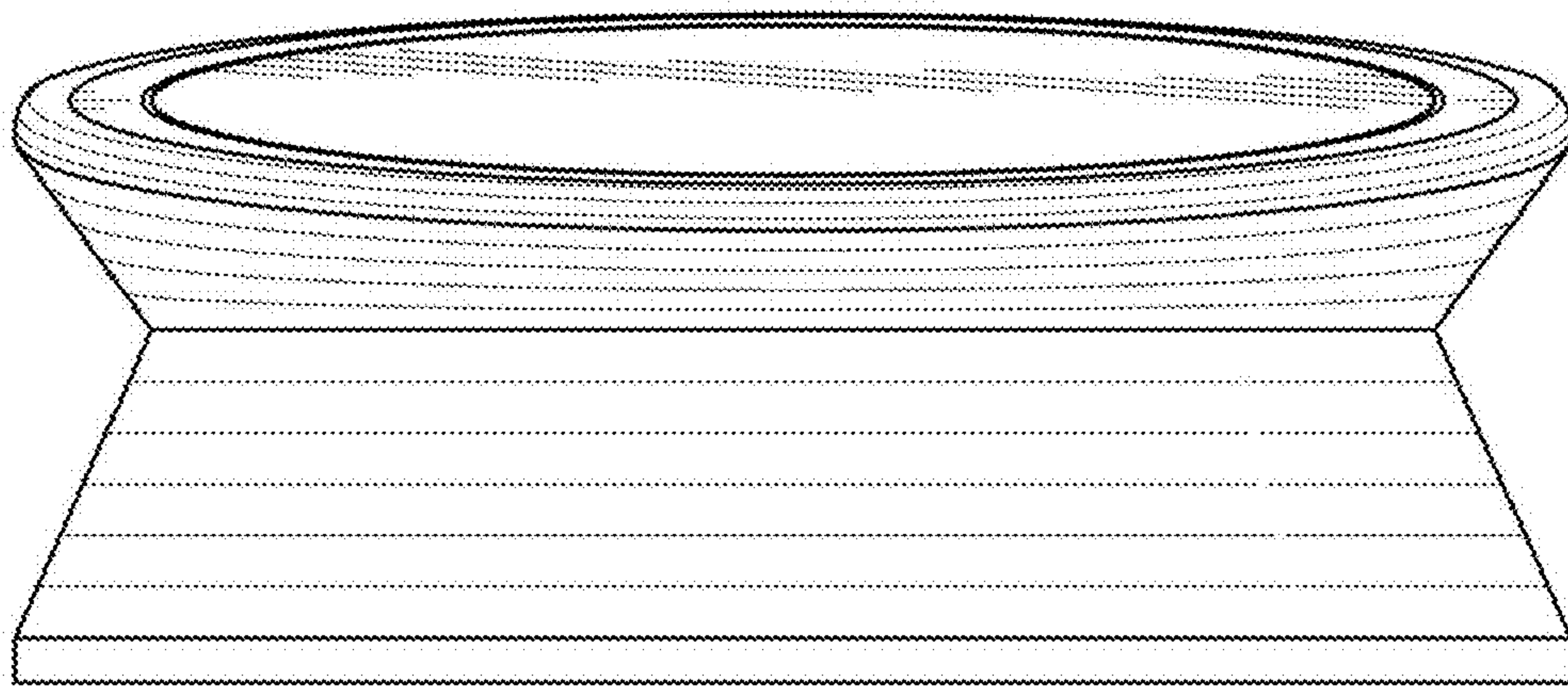


FIG. 3

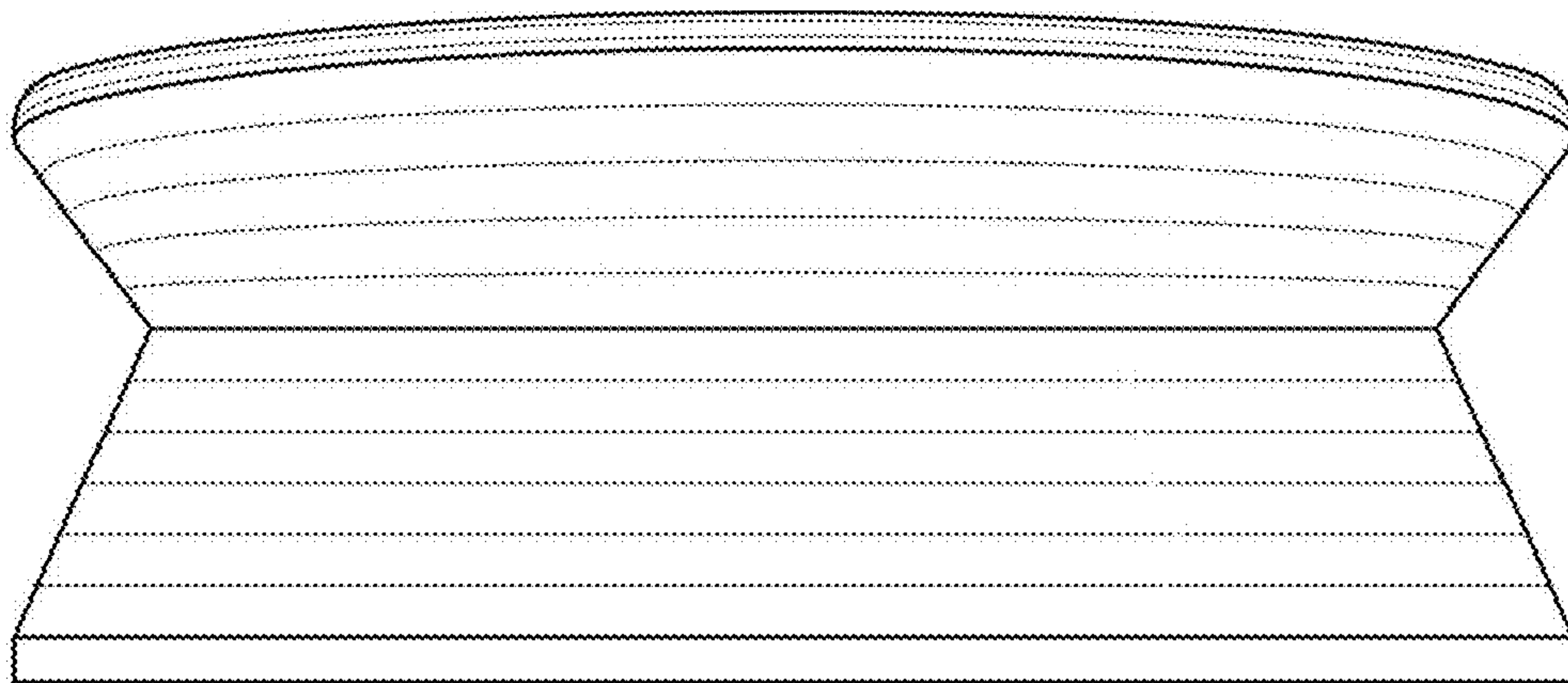


FIG. 4

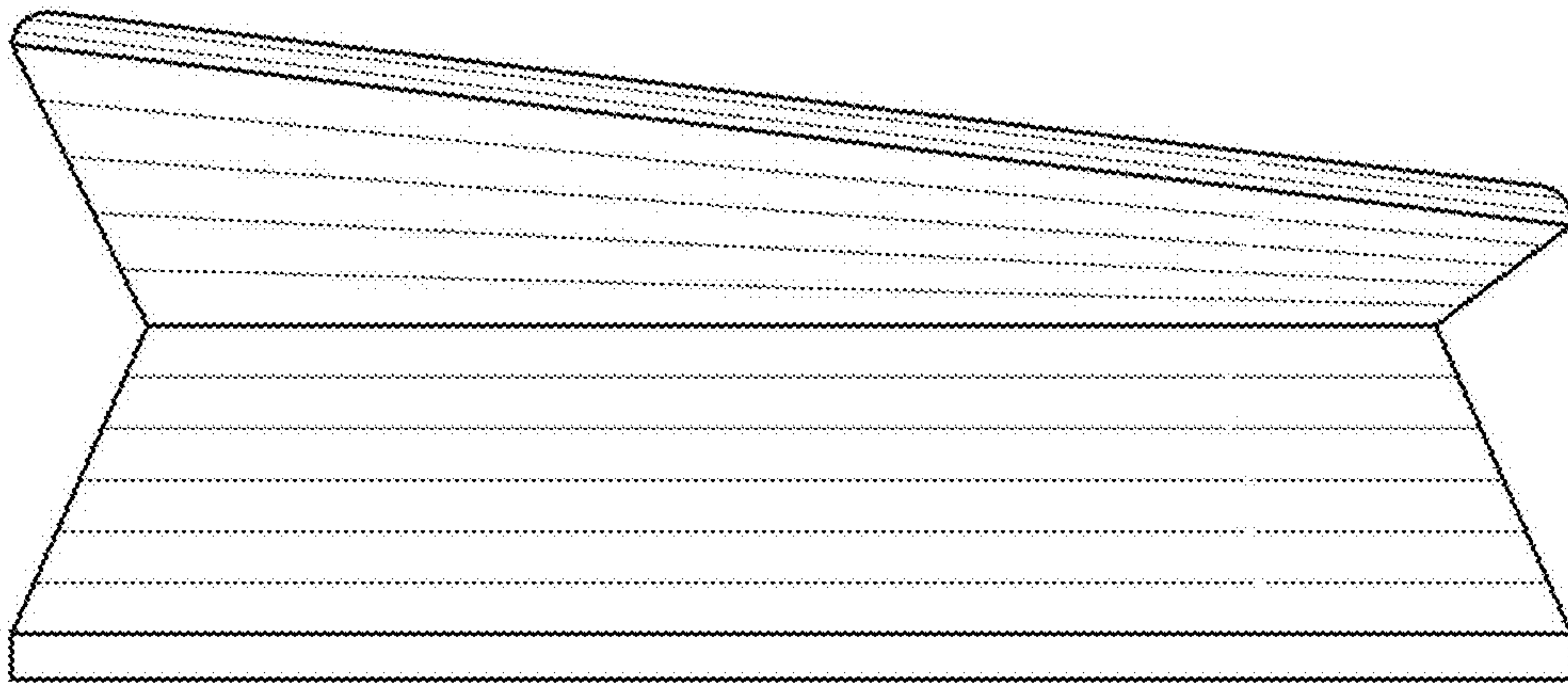


FIG. 5

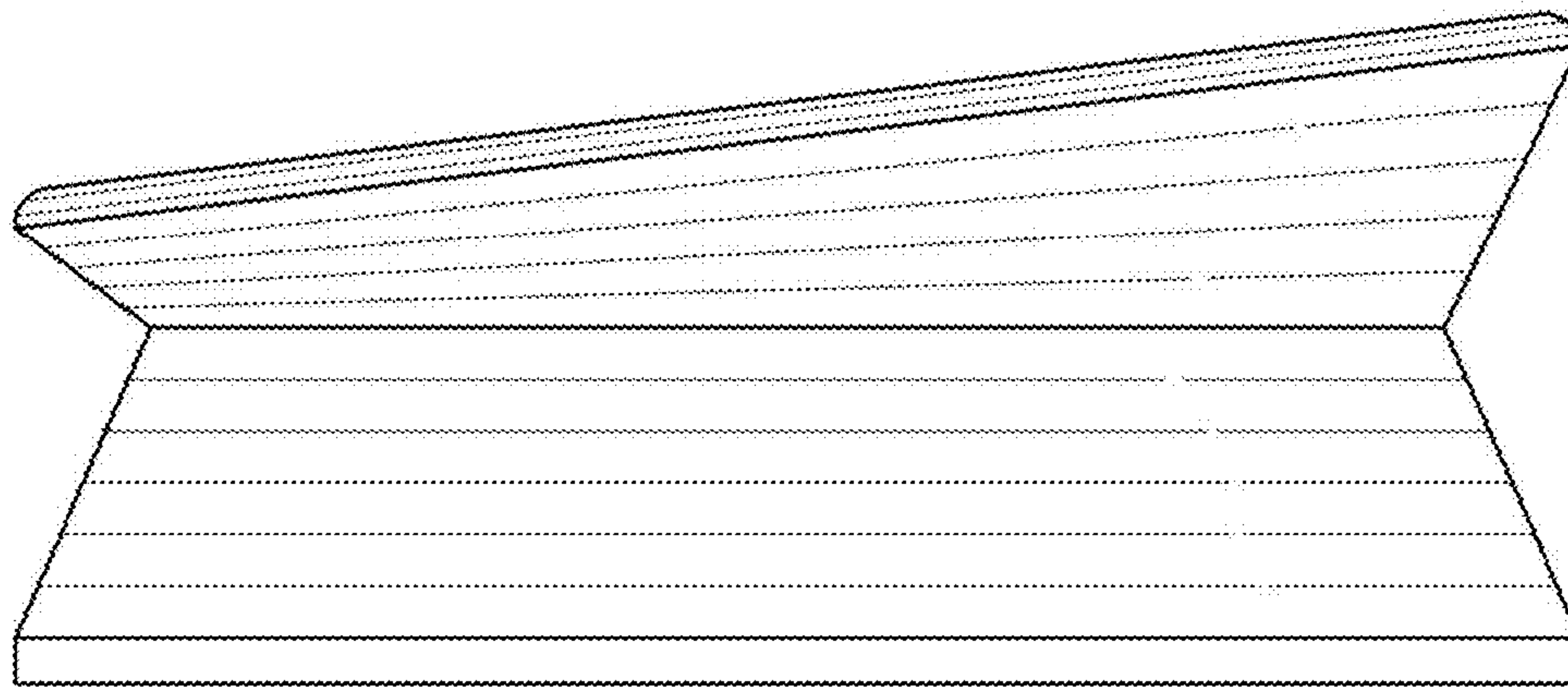


FIG. 6

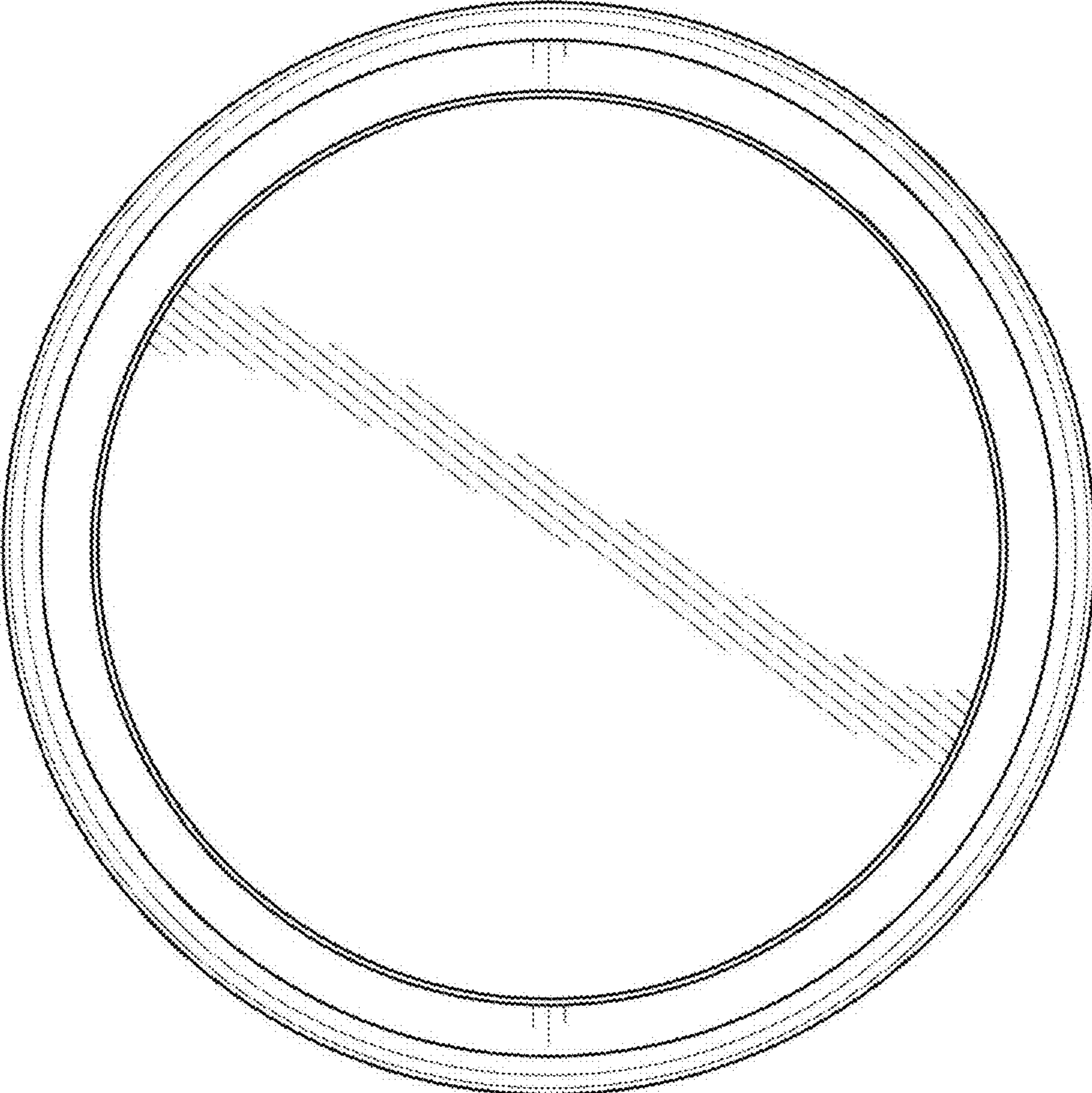


FIG. 7

