



US00D859396S

(12) **United States Design Patent** (10) **Patent No.:** **US D859,396 S**
Lee (45) **Date of Patent:** **** *Sep. 10, 2019**

(54) **PORTABLE MONITOR**

(71) Applicant: **LG DISPLAY CO., LTD.**, Seoul (KR)

(72) Inventor: **A-reum Lee**, Seoul (KR)

(73) Assignee: **LG DISPLAY CO., LTD.**, Seoul (KR)

(*) Notice: This patent is subject to a terminal disclaimer.

(**) Term: **15 Years**

(21) Appl. No.: **29/618,706**

(22) Filed: **Sep. 22, 2017**

(30) **Foreign Application Priority Data**

Mar. 30, 2017 (KR) 30-2017-0014816

(51) **LOC (12) Cl.** **14-02**

(52) **U.S. Cl.**
USPC **D14/328**

(58) **Field of Classification Search**

USPC D14/371-375, 125-129, 336, 337;
D6/300, 308; D19/113, 114; D20/10;
D3/200, 203.6, 212, 900, 901, 902, 903,
D3/904, 315

CPC G09F 15/0025; G09F 15/0062; G09F
15/0068; G06F 1/16; G06F 1/1613; G06F
1/133308; G06F 1/1601; G06F 3/037;
G06F 1/162; F16M 11/02; F16M 11/10;
F16M 11/00; F16M 11/06; F16M 11/18;
F16M 11/045; F16M 11/105; F16M
11/041; F16M 11/126; F16M 11/04;
F16M 11/24; F16M 13/02; A47F 5/00;
G03B 21/145

See application file for complete search history.

(56) **References Cited**

U.S. PATENT DOCUMENTS

575,348 A * 1/1897 Hammond A45C 9/00
190/16
D178,759 S * 9/1956 Braude et al. D3/292

D238,402 S * 1/1976 Gorky D3/292
D238,619 S * 1/1976 Barad D3/303
D309,977 S * 8/1990 Whittier 206/315.11
D491,943 S * 6/2004 Whitehorn D14/375
D607,854 S * 1/2010 Sagawa D14/126
D677,466 S * 3/2013 Passavant D3/290
D684,981 S * 6/2013 Chang D14/451
D688,420 S * 8/2013 Lai D28/83
D699,076 S * 2/2014 Harris D30/130
D699,231 S * 2/2014 Kim D14/239
D703,951 S * 5/2014 Yum D3/274
D706,773 S * 6/2014 Lu D14/341
D727,897 S * 4/2015 Stevenson D14/374
D739,403 S * 9/2015 David D14/341

(Continued)

Primary Examiner — Shannon W Morgan

(74) *Attorney, Agent, or Firm* — Birch, Stewart, Kolasch
& Birch, LLP

(57) **CLAIM**

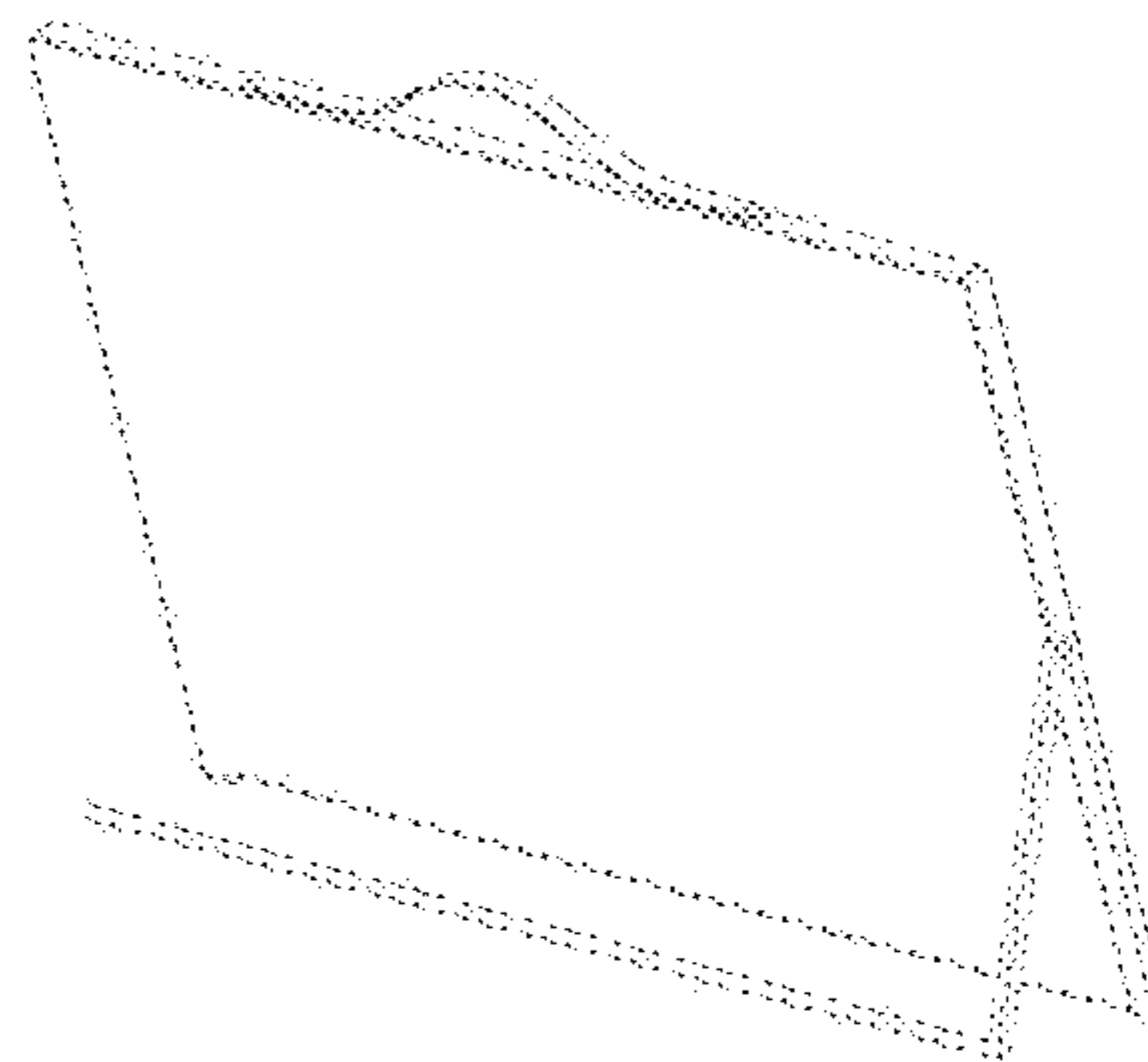
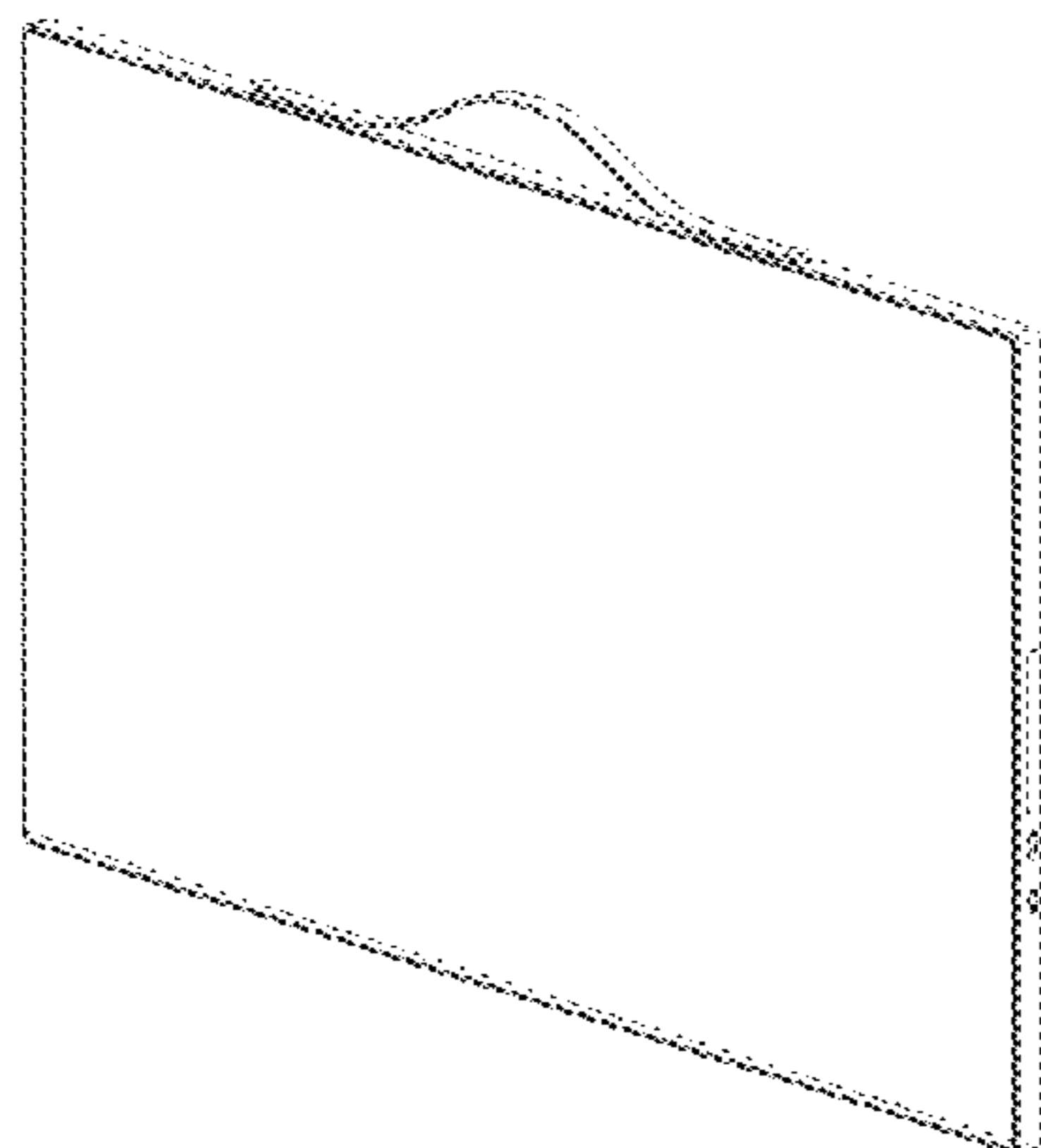
The ornamental design for a portable monitor, as shown and described.

DESCRIPTION

FIG. 1 is a front, right perspective view of the portable monitor showing my new design;
FIG. 2 is a front view thereof;
FIG. 3 is a rear view thereof;
FIG. 4 is a left side view thereof;
FIG. 5 is a right side view thereof;
FIG. 6 is a top view thereof;
FIG. 7 is a bottom view thereof;
FIG. 8 is a front, right perspective view thereof shown in use; and,
FIG. 9 is a left, rear perspective view thereof shown with the stand in use.

The broken line showing in FIG. 8 is for the purpose of illustrating environmental structure and forms no part of the claimed design.

1 Claim, 7 Drawing Sheets



(56)

References Cited

U.S. PATENT DOCUMENTS

D782,478 S * 3/2017 Matsumoto D14/374
2010/0059560 A1* 3/2010 Lanum A61B 50/31
224/257

* cited by examiner

Fig. 1

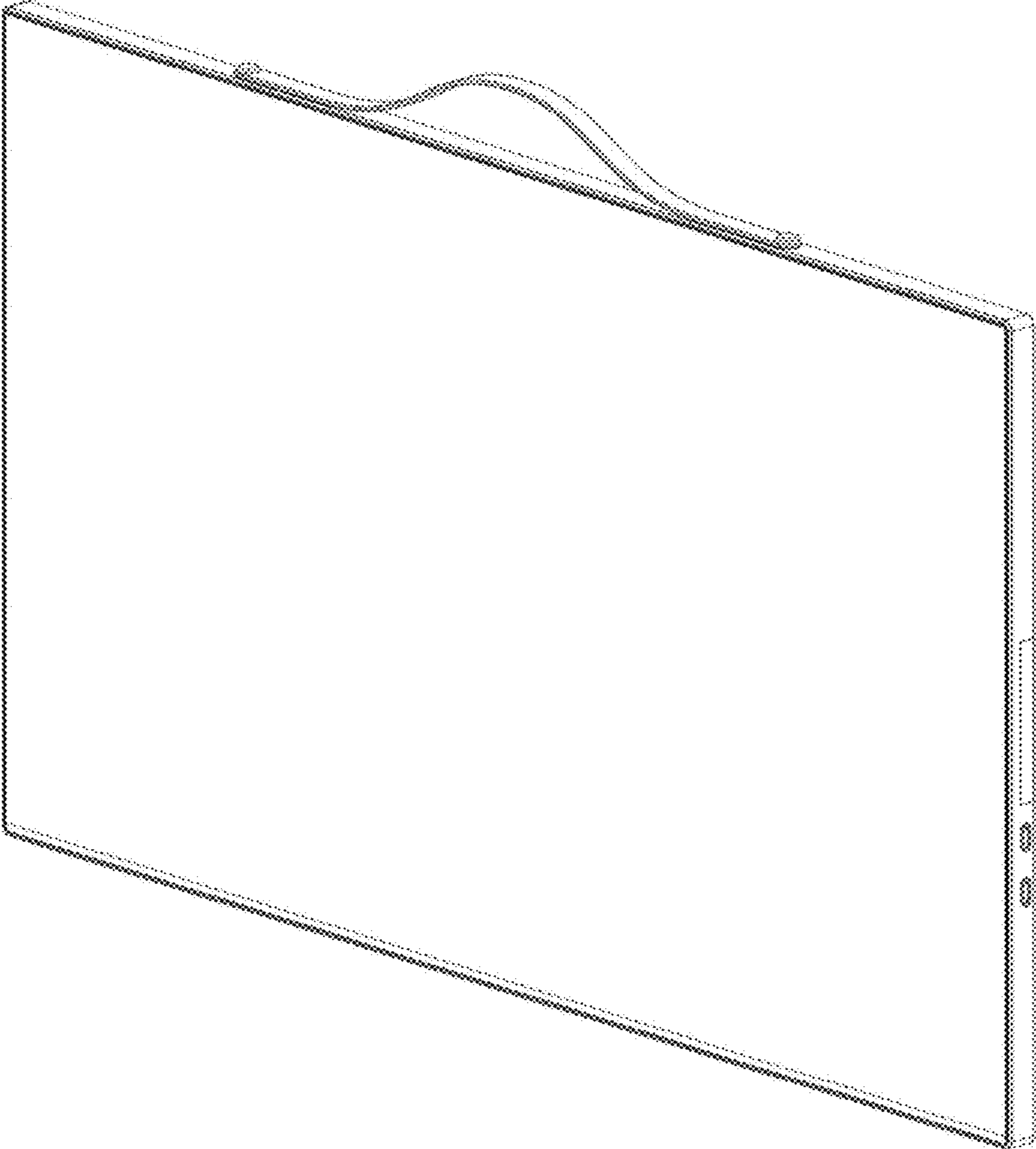


Fig. 2

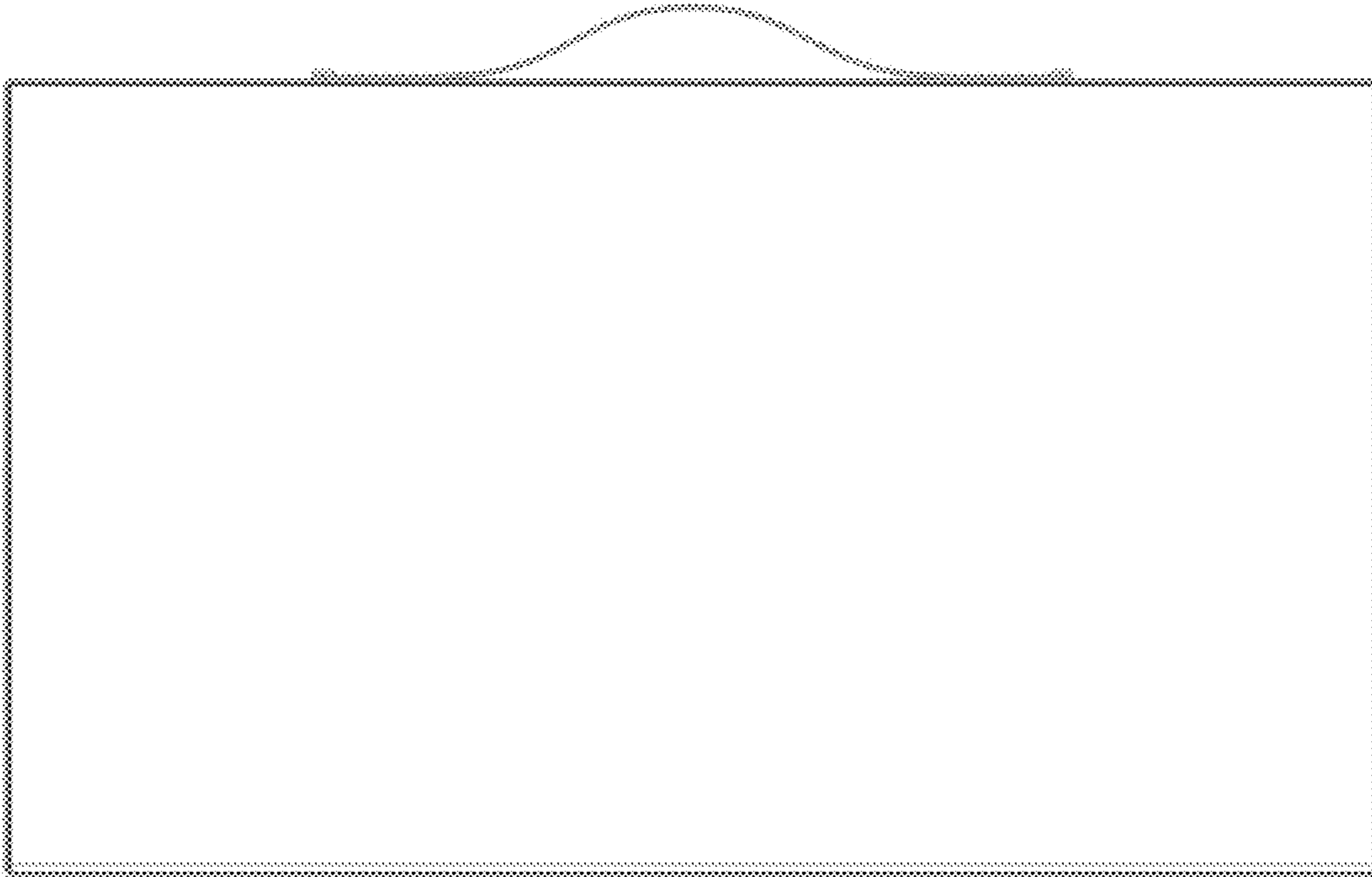


Fig. 3

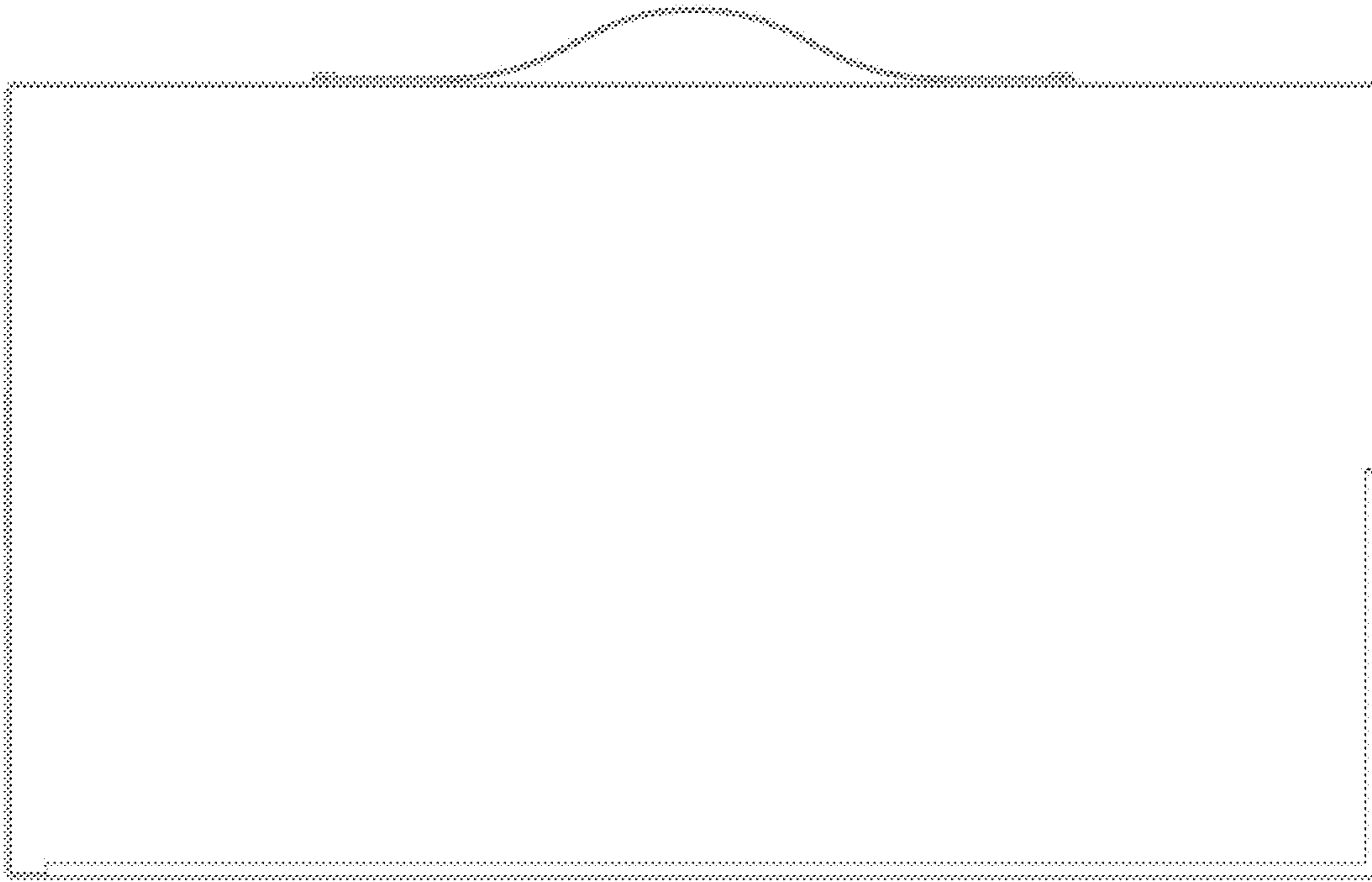


Fig. 4

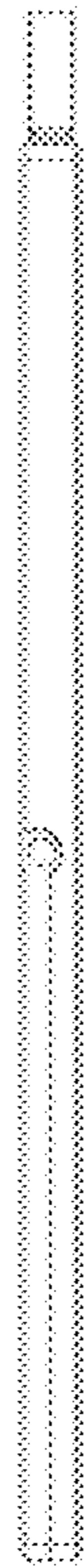


Fig. 5

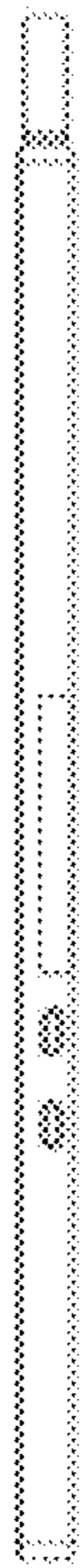


Fig. 6

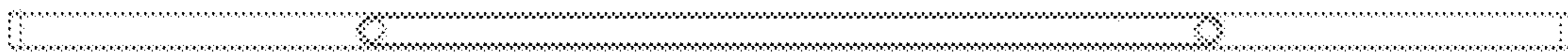


Fig. 7

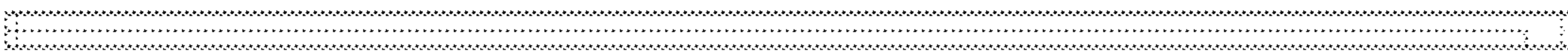


Fig. 8

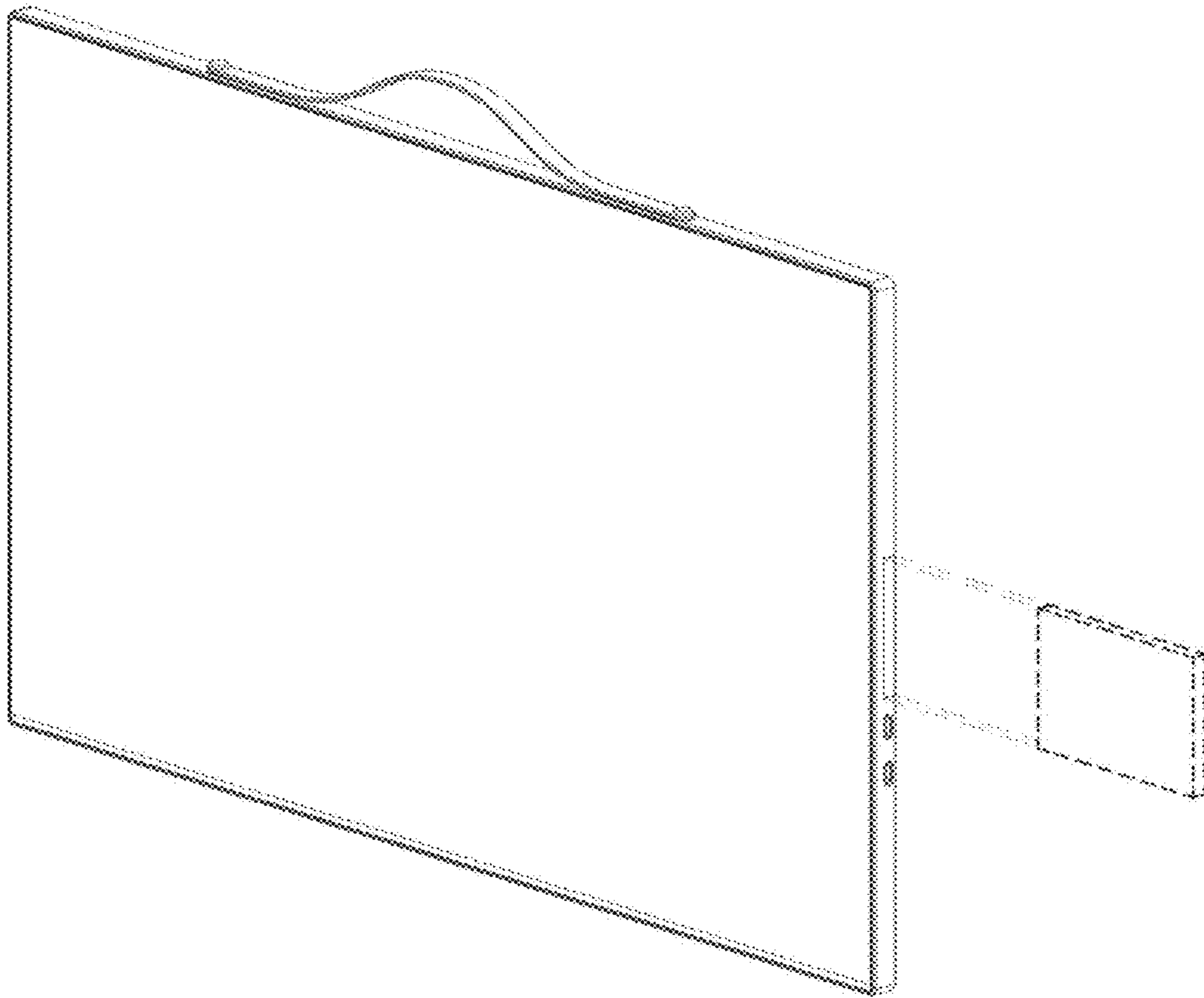


Fig. 9

