



US00D859394S

(12) **United States Design Patent** (10) **Patent No.:** **US D859,394 S**
Skogrand-Khatib (45) **Date of Patent:** **** Sep. 10, 2019**

(54) **CELLULAR PHONE AND WRITING UTENSIL HOLDER**

FOREIGN PATENT DOCUMENTS

(71) Applicant: **Julie A. Skogrand-Khatib**, New Prague, MN (US)

CN 2918096 7/2007
CN 20125969 4/2009

(Continued)

(72) Inventor: **Julie A. Skogrand-Khatib**, New Prague, MN (US)

OTHER PUBLICATIONS

(**) Term: **15 Years**

Wooden Desk Organizer: www.feelgift.com.
Bamboo Pen Holder: www.alibaba.com.
Explore Cell Phone Stand: www.pinterest.com.

(21) Appl. No.: **29/636,295**

Primary Examiner — Jeffrey D Asch
Assistant Examiner — Rebekah A Caruso

(22) Filed: **Feb. 7, 2018**

(51) **LOC (12) Cl.** **14-03**

(52) **U.S. Cl.**
USPC **D14/253**; D19/77

(57) **CLAIM**

The ornamental design for a cellular phone and writing utensil holder, as shown and described.

(58) **Field of Classification Search**
USPC D14/251–254, 217, 224, 224.1, 238.1, D14/299, 434, 447, 451–452, 483; D12/400, 415–426, 426.1, 114, 223; D8/394; D6/513, 553, 567; D3/218; D16/242, 245; D10/74; D19/75, 77, 91, D19/78, 87
CPC B60R 11/00; B60R 11/02; B60R 11/0241; B60R 11/0252; B60R 2011/0005; B60R 2011/0008; H04M 1/026; H04M 1/0266; H04B 1/3877; A45F 2200/0516; A45F 2200/0525; H05K 5/0204; F16M 13/02; F16M 13/022; F16M 13/04; F16M 11/04; F16M 11/041; F16B 2/12; H01F 7/0252; G03B 17/561; G03B 17/563
See application file for complete search history.

DESCRIPTION

FIG. 1 is a front top isometric view of a cellular phone and writing utensil holder showing my new design;
FIG. 2 is a rear top isometric view of the cellular phone and writing utensil holder;
FIG. 3 is a bottom front isometric side view of the cellular phone and writing utensil holder;
FIG. 4 is a front view of the cellular phone and writing utensil holder;
FIG. 5 is a rear view of the cellular phone and writing utensil holder;
FIG. 6 is a right side view of the cellular phone and writing utensil holder, a left side view being a mirror image thereof;
FIG. 7 is a top view of the cellular phone and writing utensil holder; and,
FIG. 8 is a bottom view of the cellular phone and writing utensil holder.
The portions of the article shown in phantom lines are for illustrative purposes only and form no part of the claimed design.

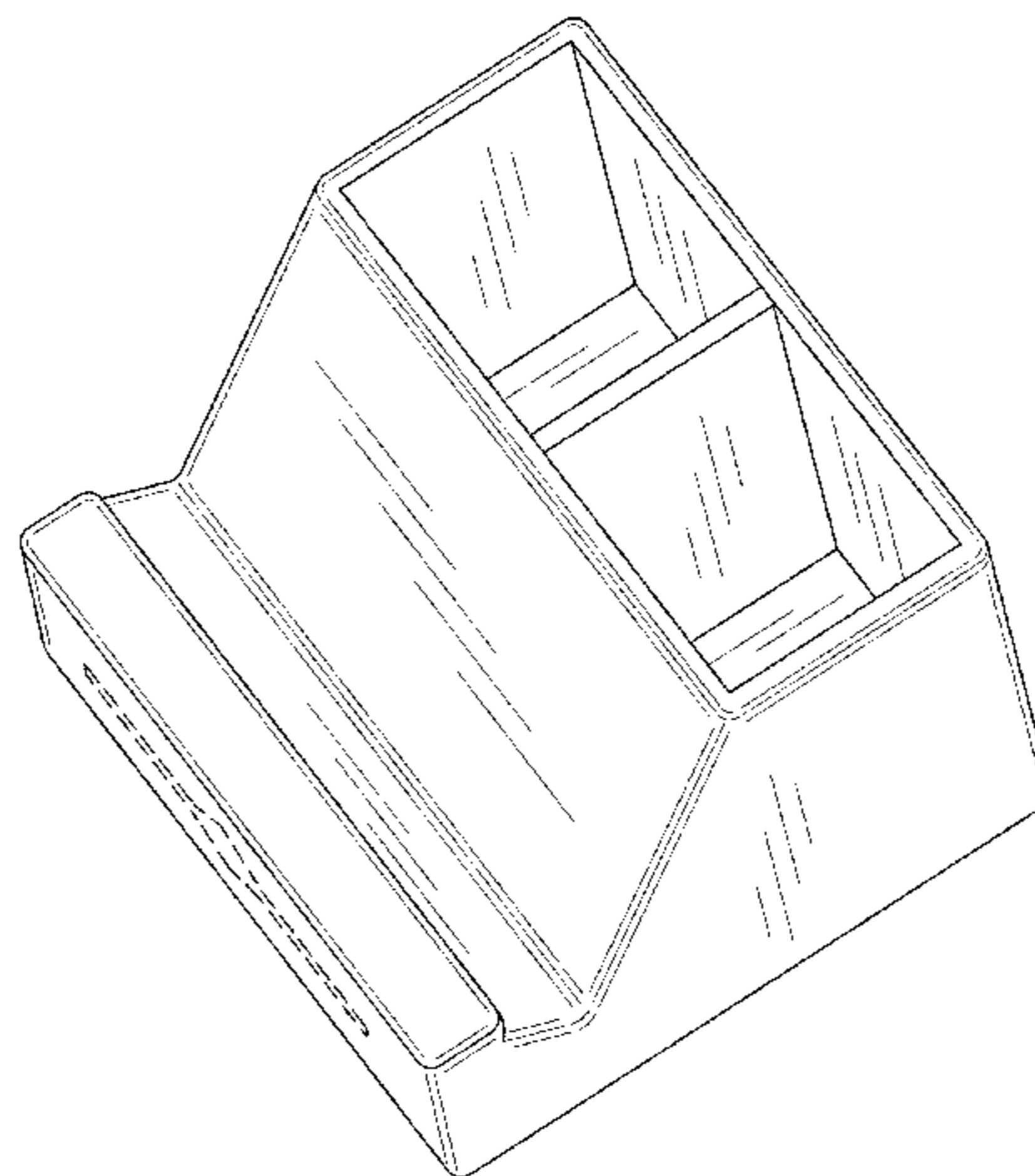
(56) **References Cited**

U.S. PATENT DOCUMENTS

D40,583 S * 3/1910 Sauereisen D19/77
D48,631 S * 2/1916 Ethridge D19/73
D66,323 S * 12/1924 Cummings D19/78
D163,685 S * 6/1951 Foster D19/78
D169,963 S * 7/1953 Caldwell et al. D19/70

(Continued)

1 Claim, 6 Drawing Sheets



(56)

References Cited

U.S. PATENT DOCUMENTS

D249,262	S	*	9/1978	Neece	D12/415
D273,962	S	*	5/1984	Fromm	D19/91
D274,069	S	*	5/1984	Fromm	D19/91
D556,407	S	*	11/2007	Snell	D19/75
D657,741	S	*	4/2012	Fahrendorff	D13/108
D715,284	S	*	10/2014	Iwamoto	D12/415
D722,062	S	*	2/2015	Zwerner	D14/447
D781,841	S	*	3/2017	Salathe	D14/253
D788,076	S	*	5/2017	Swendseid	D14/217
D837,131	S	*	1/2019	Robillard	D12/415
2007/0272629	A1		11/2007	Spirer		
2017/0049200	A1		2/2017	Audet		

FOREIGN PATENT DOCUMENTS

CN	20129280	4/2009
CN	2013346945	11/2009
CN	201380702	1/2010
CN	1041292211	11/2014
CN	204095379	1/2015
CN	104417221	3/2015
CN	204206270	3/2015
CN	106602618	12/2016
CN	104691196	3/2017

* cited by examiner

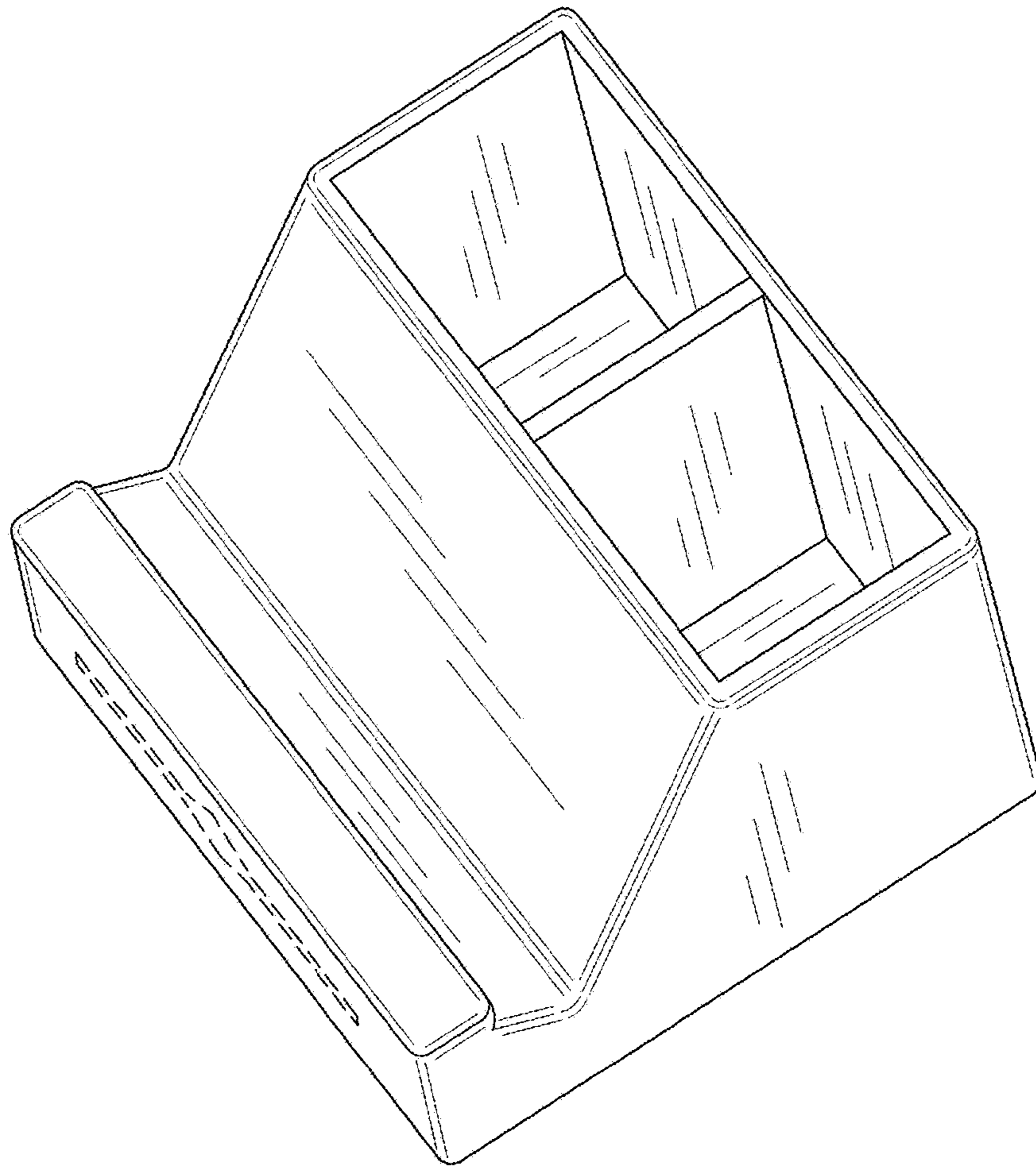


FIG. 1

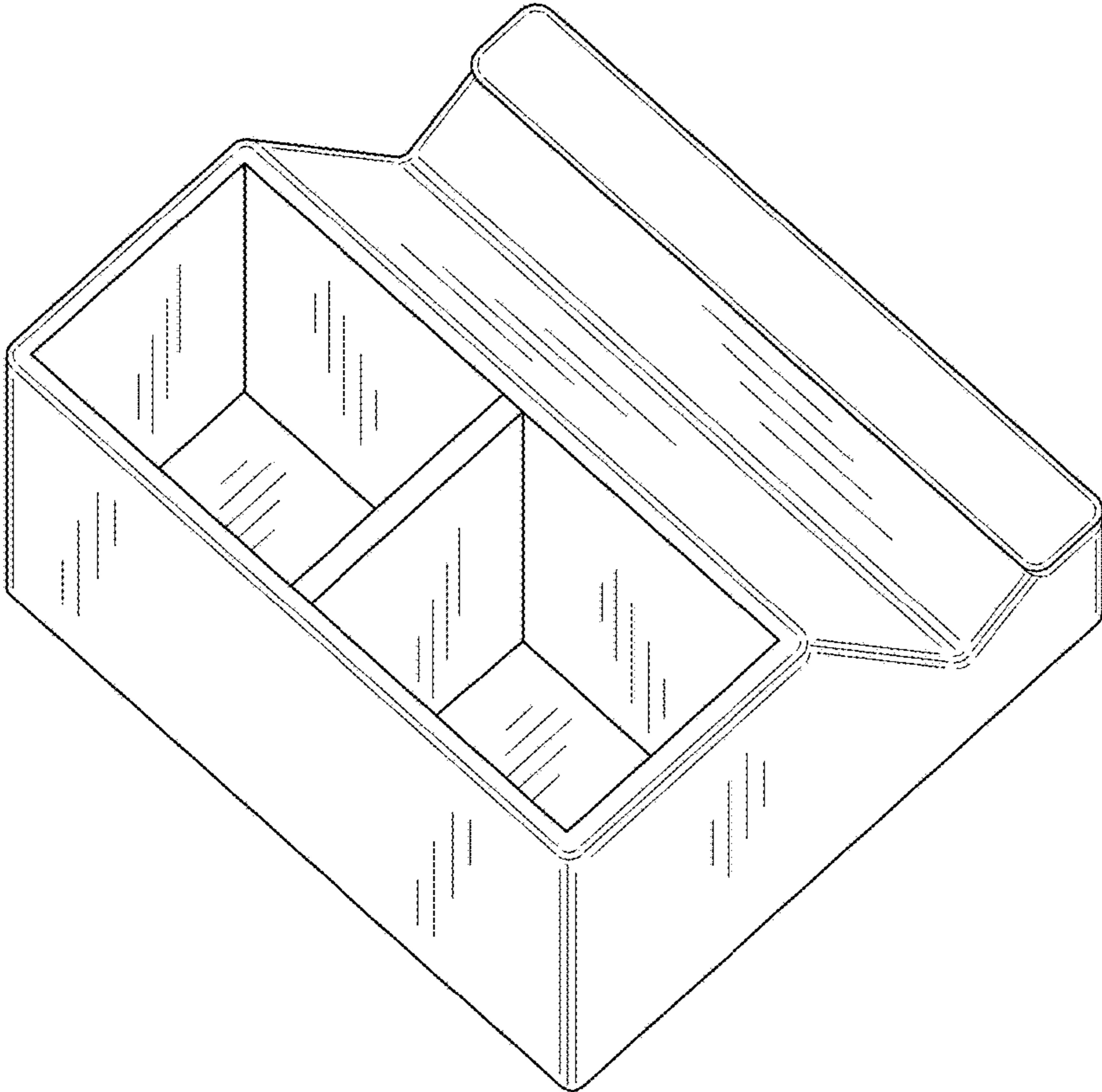


FIG. 2

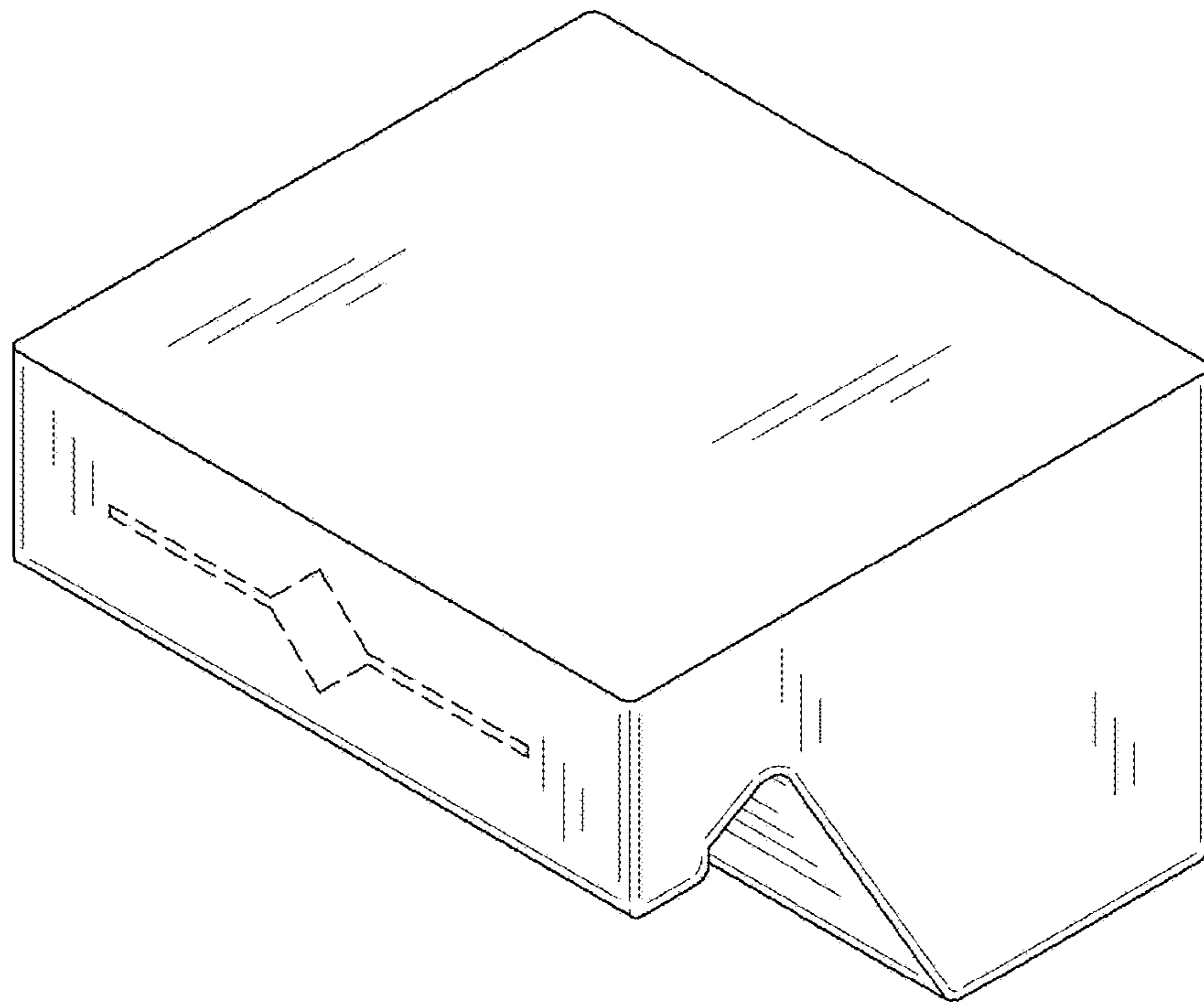


FIG. 3

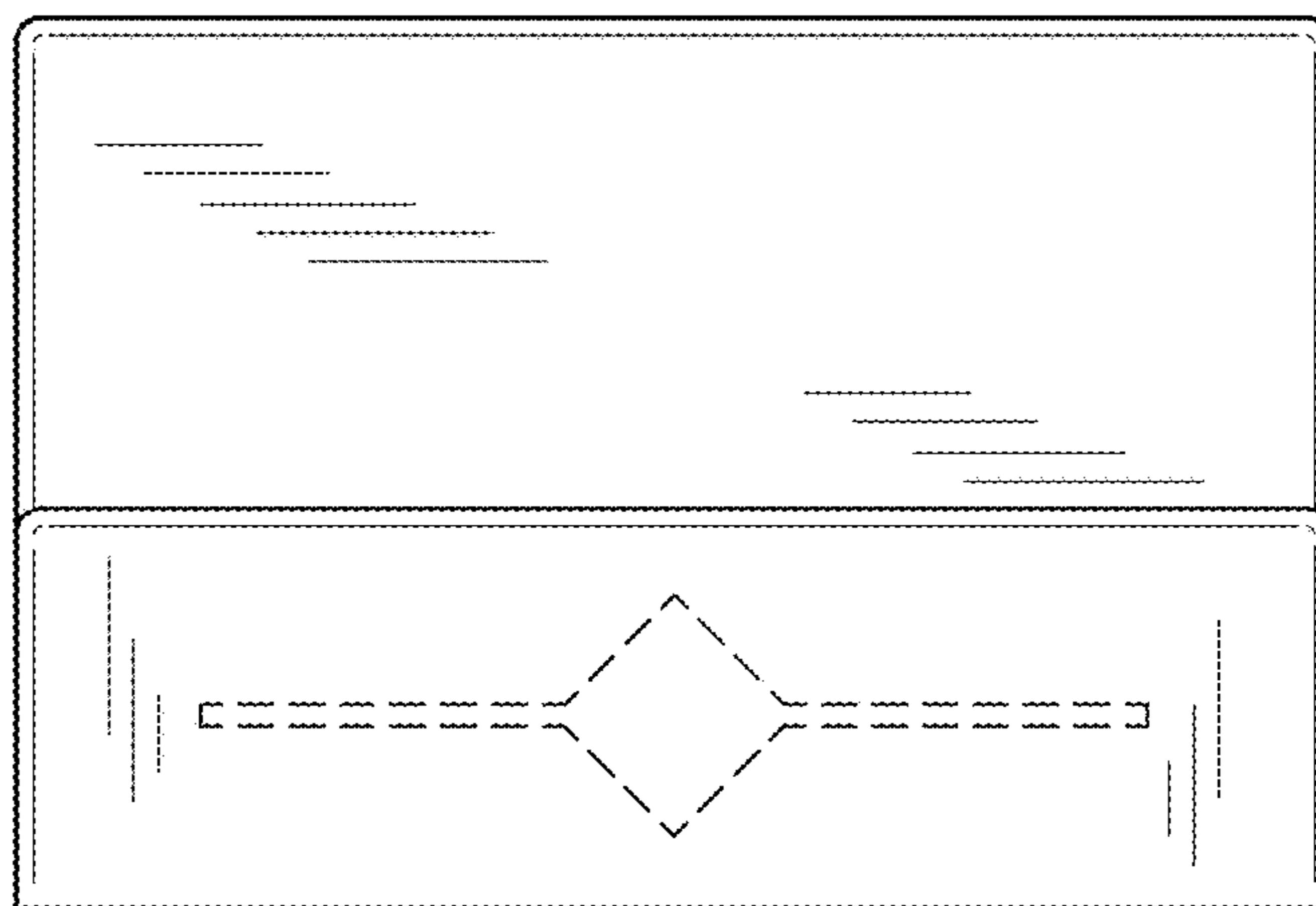


FIG. 4

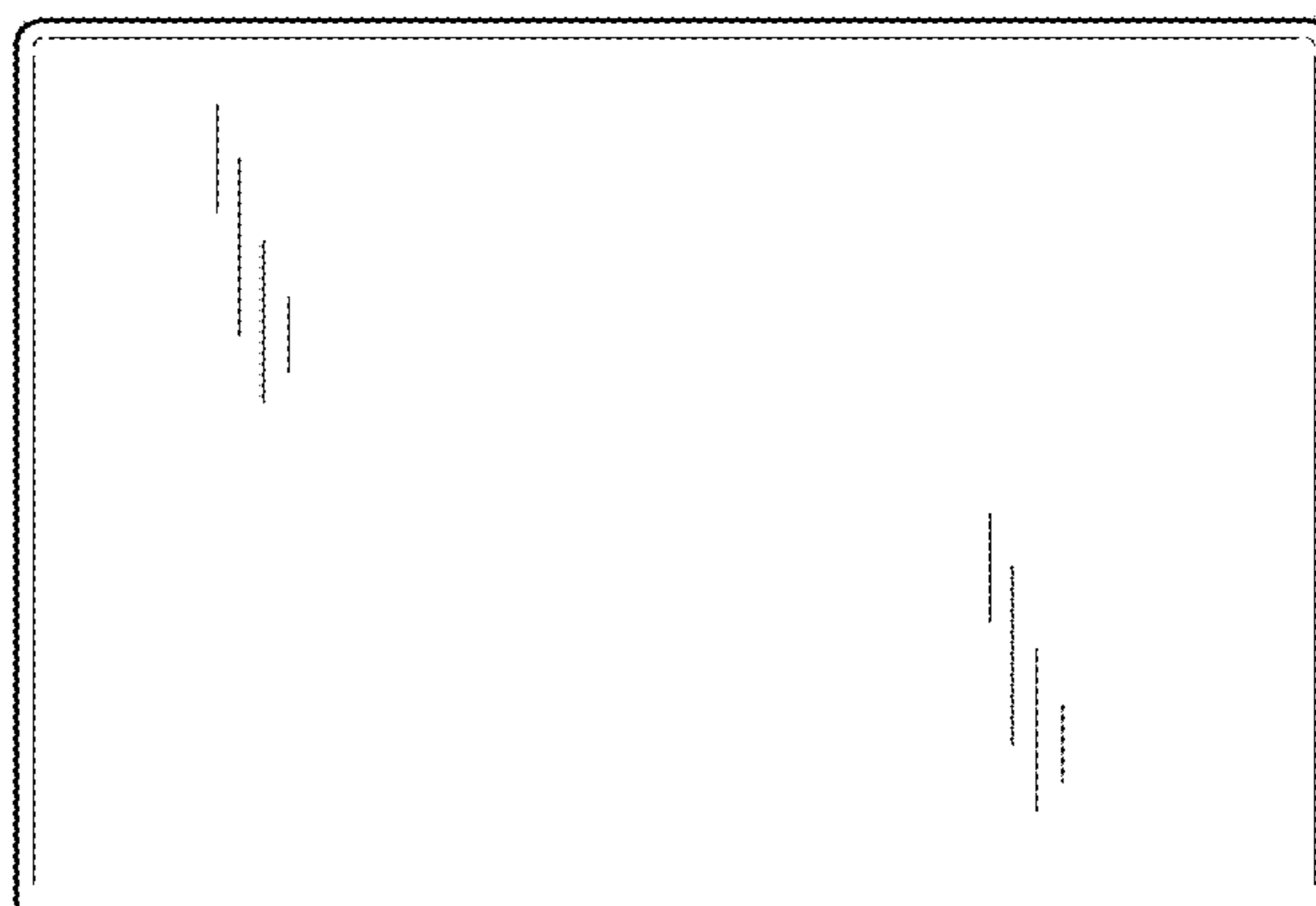


FIG. 5

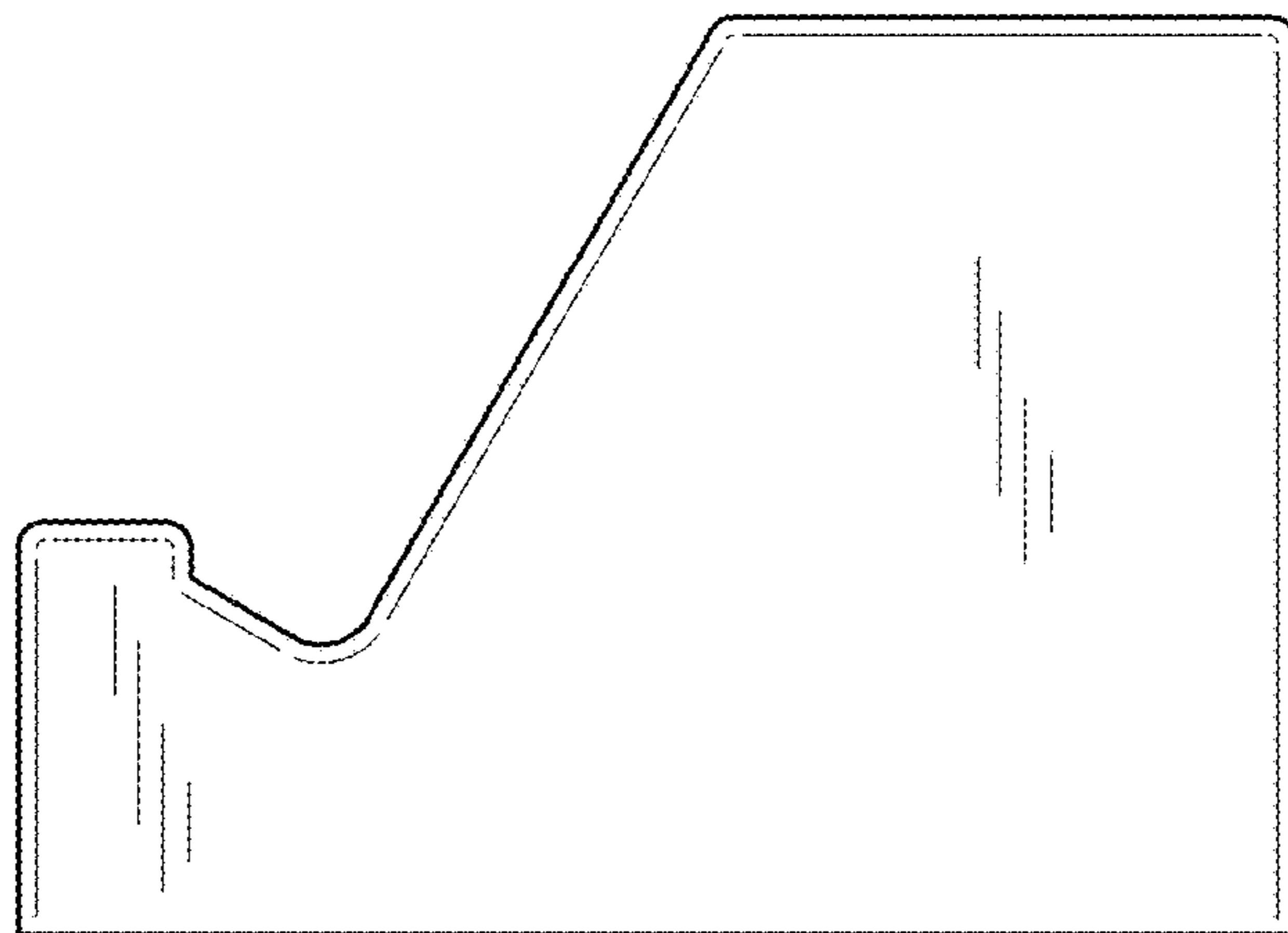


FIG. 6

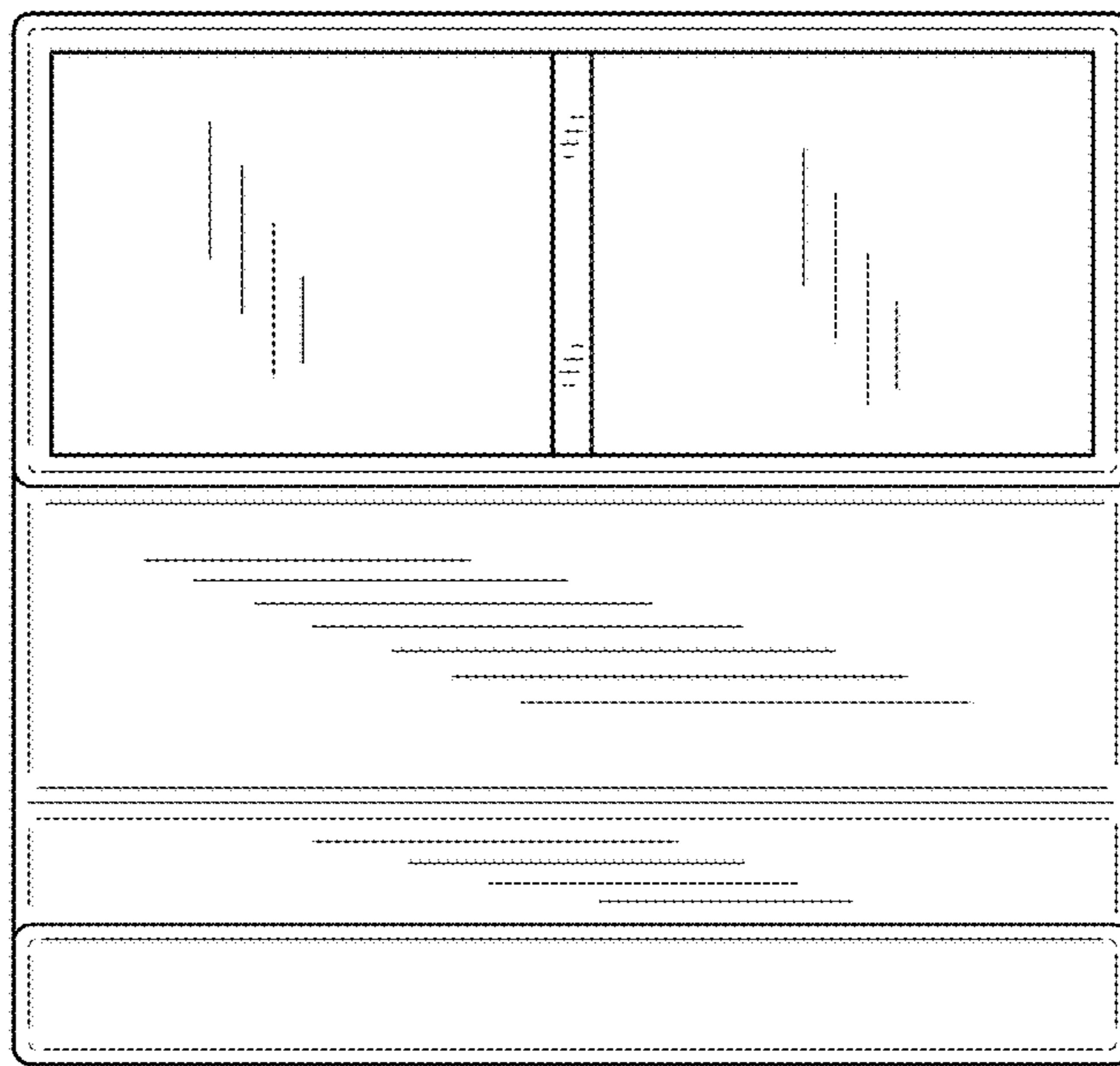


FIG. 7

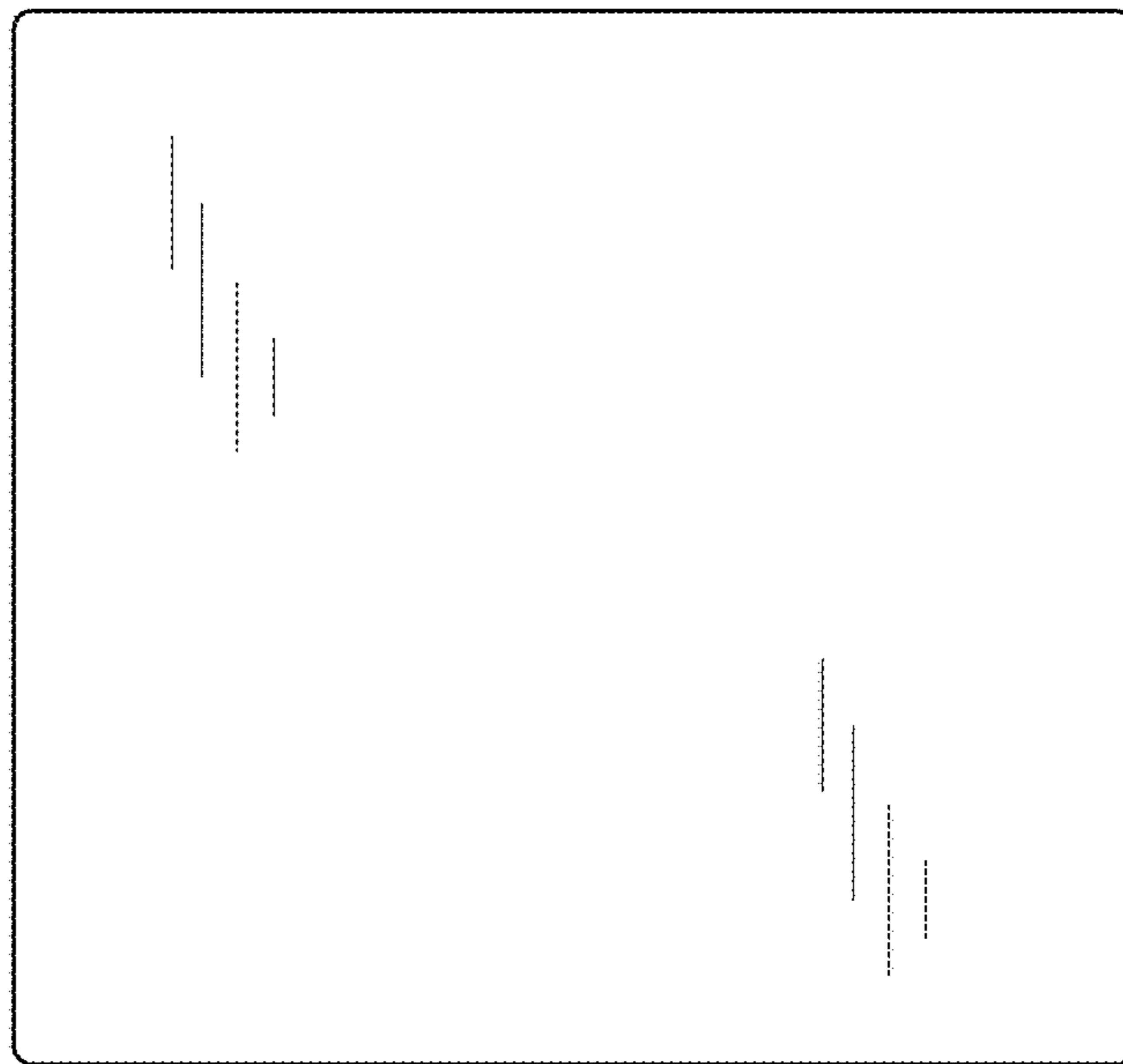


FIG. 8