



US00D859393S

(12) **United States Design Patent** (10) **Patent No.:** **US D859,393 S**
Dang et al. (45) **Date of Patent:** **** Sep. 10, 2019**

(54) **ELECTRONIC DEVICE MOUNT**
(71) Applicant: **mophie inc.**, Tustin, CA (US)

D369,344 S 4/1996 Lindeman et al.
D379,463 S * 5/1997 Richter D14/253
5,788,202 A * 8/1998 Richter B60R 11/0241
224/570

(Continued)

(72) Inventors: **Dat Minh Dang**, Westminster, CA
(US); **Nguyen To**, Corona, CA (US)

FOREIGN PATENT DOCUMENTS

(73) Assignee: **mophie inc.**, Irvine, CA (US)

JP 1379870 2/2010
KR 10-2004-0093848 11/2004

(**) Term: **15 Years**

(Continued)

(21) Appl. No.: **29/632,207**

OTHER PUBLICATIONS

(22) Filed: **Jan. 5, 2018**

“The Best Wireless Car Phone Charger Mounts,” Car Phone Charger pictured at far left, Wirecutter online, post date updated Jan. 22, 2019, <URL: <https://thewirecutter.com/reviews/best-qi-wireless-car-phone-charger-mounts/>>, retrieved Mar. 26, 2019.*

(51) **LOC (12) Cl.** **14-03**

(52) **U.S. Cl.**

USPC **D14/253**; D12/415

(Continued)

(58) **Field of Classification Search**

USPC D14/251–254, 217, 224, 224.1, 238.1,
D14/299, 434, 447, 451–452, 483;
D12/400, 415–426, 426.1, 114, 223;
D8/394; D6/513, 553, 567; D3/218;
D16/242, 245; D10/74

Primary Examiner — Jeffrey D Asch

Assistant Examiner — Rebekah A Caruso

(74) *Attorney, Agent, or Firm* — Knobbe, Martens, Olson & Bear, LLP

CPC B60R 11/00; B60R 11/02; B60R 11/0241;
B60R 11/0252; B60R 2011/0005; B60R
2011/0008; H04M 1/026; H04M 1/0266;
H04B 1/3877; A45F 2200/0516; A45F
2200/0525; H05K 5/0204; F16M 13/02;
F16M 13/022; F16M 13/04; F16M 11/04;
F16M 11/041; F16B 2/12; H01F 7/0252

(57)

CLAIM

The ornamental design for an electronic device mount, as shown and described.

See application file for complete search history.

DESCRIPTION

FIG. 1 is a top-front perspective view of the design for the electronic device mount;

FIG. 2 is a bottom-rear perspective view thereof;

FIG. 3 is a front view thereof;

FIG. 4 is a rear view thereof;

FIG. 5 is a left-side view thereof;

FIG. 6 is a right-side view thereof;

FIG. 7 is a top view thereof; and,

FIG. 8 is a bottom view thereof.

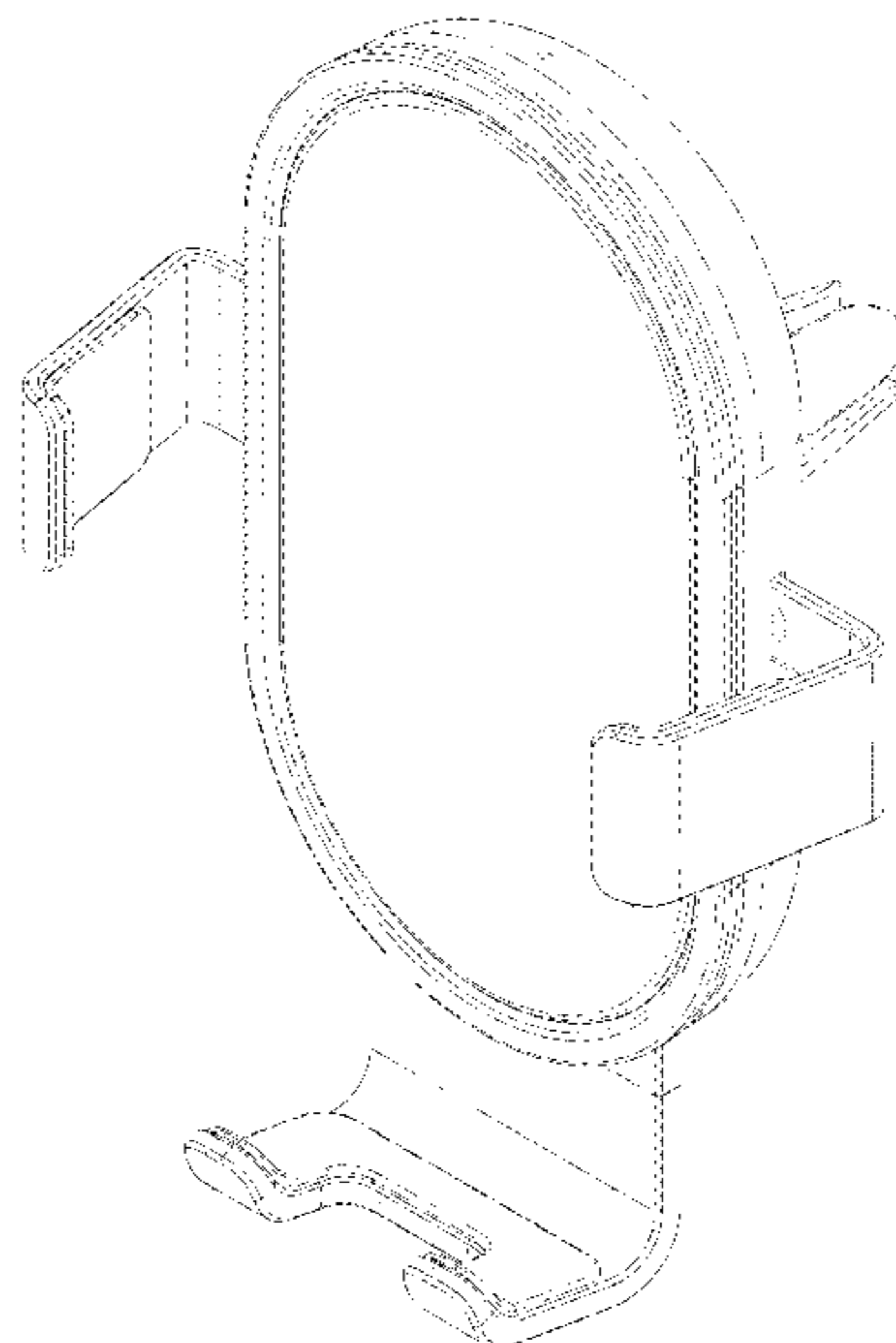
The broken line portions in the drawings are shown to illustrate environment only and form no part of the claimed design.

(56) **References Cited**

U.S. PATENT DOCUMENTS

D277,662 S 2/1985 Huntington et al.
5,039,929 A 8/1991 Veistroffer et al.
D345,728 S 4/1994 Tyneski et al.
D350,540 S 9/1994 Hyvonen
D361,069 S 8/1995 Hellier et al.

1 Claim, 8 Drawing Sheets



(56)

References Cited

U.S. PATENT DOCUMENTS

D405,453 S * 2/1999 Richter D14/253
 D406,591 S * 3/1999 Richter D14/253
 D411,544 S 6/1999 Richter
 D413,097 S 8/1999 Chang
 5,946,637 A 8/1999 Umbach et al.
 D413,607 S 9/1999 Lindahl
 D442,939 S 5/2001 Goldenburg
 D458,266 S 6/2002 Herath
 D460,446 S 7/2002 Hughes et al.
 D463,361 S 9/2002 Ruohonen
 D501,205 S 1/2005 Quinn
 D520,447 S 5/2006 Liu
 D529,905 S * 10/2006 Richter D14/253
 D530,713 S * 10/2006 Richter D14/253
 D533,499 S 12/2006 Suzuki
 D535,614 S 1/2007 Majanen et al.
 7,158,092 B2 1/2007 Shen
 D545,614 S 7/2007 Majanen et al.
 D566,118 S * 4/2008 Brassard D14/434
 D566,590 S 4/2008 Stevens et al.
 D585,897 S 2/2009 Carnevali
 7,492,579 B2 2/2009 Homer et al.
 D592,188 S 5/2009 Huang
 7,532,466 B2 5/2009 Kobayashi et al.
 7,542,052 B2 6/2009 Solomon et al.
 D602,913 S 10/2009 Han et al.
 D605,588 S 12/2009 Nomi et al.
 D608,350 S 1/2010 Bo
 D614,613 S 4/2010 Kim et al.
 D620,931 S 8/2010 Opman
 D623,132 S 9/2010 Yano
 D623,638 S 9/2010 Richardson et al.
 D623,639 S 9/2010 Richardson et al.
 D625,729 S 10/2010 McNames et al.
 D626,439 S 11/2010 Lee et al.
 D626,541 S 11/2010 Kim et al.
 D626,964 S 11/2010 Richardson et al.
 D629,315 S 12/2010 McAlpine et al.
 D629,355 S 12/2010 Bodley et al.
 D634,304 S 3/2011 Andre et al.
 D638,414 S 5/2011 Magness et al.
 D639,286 S 6/2011 Mohoney
 D639,816 S 6/2011 Bau
 D640,707 S 6/2011 Yeh
 D643,030 S 8/2011 Cheng et al.
 D643,423 S 8/2011 Smith et al.
 D643,433 S 8/2011 Hsieh et al.
 D645,033 S 9/2011 Quong et al.
 D646,315 S * 10/2011 Orf D14/263
 D647,907 S 11/2011 Perry et al.
 D648,339 S 11/2011 O'Neil et al.
 D656,930 S 4/2012 Son
 D657,741 S 4/2012 Fahrenhorff et al.
 D660,794 S 5/2012 Fahrenhorff et al.
 D662,470 S 6/2012 Smith et al.
 8,240,628 B2 8/2012 Huang
 8,295,652 B1 10/2012 Newstead
 D670,703 S 11/2012 Hasbrook et al.
 8,369,082 B2 2/2013 Madonna et al.
 D682,780 S 5/2013 Brown
 D685,321 S 7/2013 Smith et al.
 D685,380 S * 7/2013 Richter D14/253
 D690,707 S 10/2013 Minn et al.
 D696,241 S 12/2013 Paugh et al.
 8,616,327 B1 12/2013 Palacios
 D705,211 S * 5/2014 Huang D14/253
 8,724,837 B2 5/2014 Crooijmans et al.
 D707,673 S 6/2014 Lan

D721,649 S 1/2015 Tsai
 D722,056 S 2/2015 Nguyen et al.
 D726,175 S 4/2015 Tsai et al.
 9,004,434 B2 * 4/2015 Kang H04M 1/04
 248/316.4
 D752,571 S * 3/2016 Richter D14/253
 9,274,556 B2 3/2016 Gallouzi et al.
 D772,218 S * 11/2016 Alesi D14/253
 D784,923 S * 4/2017 Song D13/108
 D832,248 S * 10/2018 Sukphist D14/253
 2006/0221565 A1 10/2006 Doherty et al.
 2008/0157716 A1 7/2008 Jo
 2009/0160399 A1 6/2009 Woud
 2009/0160400 A1 6/2009 Woud
 2010/0062615 A1 3/2010 Prest
 2010/0078343 A1 4/2010 Hoellwarth et al.
 2011/0069445 A1 3/2011 Haren et al.
 2012/0194132 A1 8/2012 Ikegame
 2013/0050933 A1 2/2013 Prest
 2013/0058036 A1 3/2013 Holzer et al.
 2013/0217448 A1 8/2013 Kim et al.
 2013/0241470 A1 9/2013 Kim
 2015/0098184 A1 4/2015 Tsai et al.

FOREIGN PATENT DOCUMENTS

KR 30-0629517 1/2012
 TW D132908 1/2010
 WO DM061043 8/2002
 WO WO 2011/139051 11/2011
 WO WO 2015/054242 4/2015

OTHER PUBLICATIONS

U.S. Appl. No. 29/438,896, Including its prosecution history, filed Dec. 4, 2012, Denny Tsai.
 U.S. Appl. No. 29/438,221, Including its prosecution history, filed Nov. 27, 2012, Denny Tsai.
 International Search Report and Written Opinion of the International Searching Authority for PCT/US2012/020370, dated May 29, 2012.
 International Search Report and Written Opinion of the International Searching Authority for PCT/US2014/059483, dated Jan. 15, 2015.
 International Preliminary Report on Patentability for PCT/US2014/059483, dated Apr. 12, 2016.
 International Preliminary Report on Patentability for PCT/US2012/020370, dated Jul. 10, 2013.
 Nick Guy, "RND Power Solutions Sync & Charge Dock with Lightning Connector", dated Nov. 18, 2013, <http://www.ilounge.com/index.php/reviews/entry/tylt-energi-sl>.
 Nick Guy, "RND Power Solutions Sync & Charge Dock with Lightning Connector", dated Nov. 25, 2013, <http://www.ilounge.com/index.php/reviews/entry/rnd-power-solutions-sync-charge-dock-with-lightning-connector/>.
 Julie Strietelmeier, "Seidio INNODock Desktop Cradle for Treo 650," dated Jul. 28, 2005, http://the-gadgeteer.com/2005/07/28/seidio_innodock_desktop_cradle_for_treo_650/.
 Altec Lansing Octiv Stage MP450 Review, dated Dec. 8, 2010, <http://www.cnet.com/products/alttec-lansing-octiv-stage-mp450/>.
 Mophie Unveils All-Aluminum PowerStand For iPad, dated Jan. 4, 2011, <http://www.intomobile.com/2011/01/04/mophie-powerstand-swivels-charges-ipad/>.
 Mophie PowerStand For iPad (Video), dated Jan. 4, 2011, <http://www.gottabemobile.com/2011/01/04/mophie-powerstand-for-ipad-video/>.

* cited by examiner

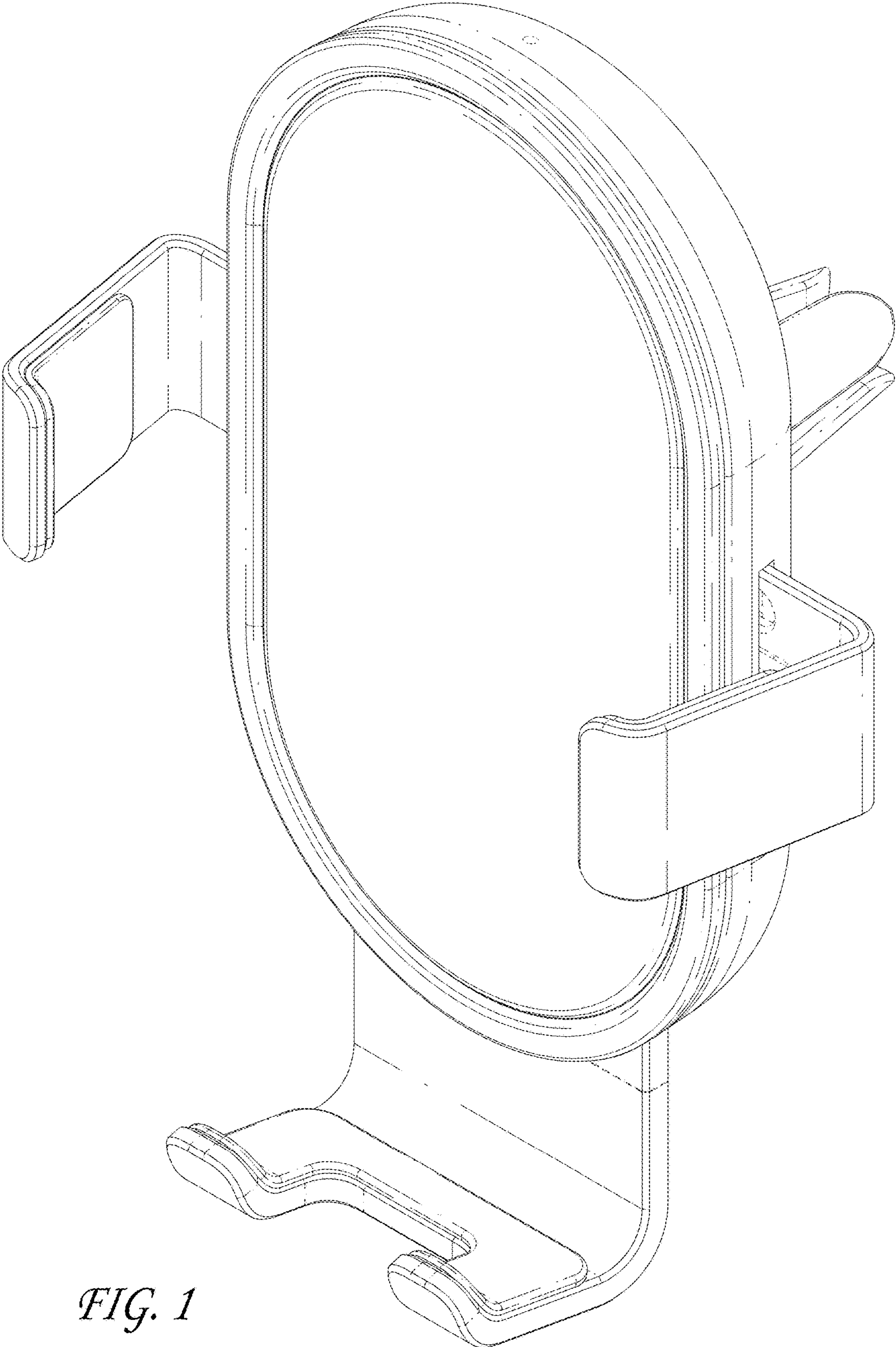


FIG. 1

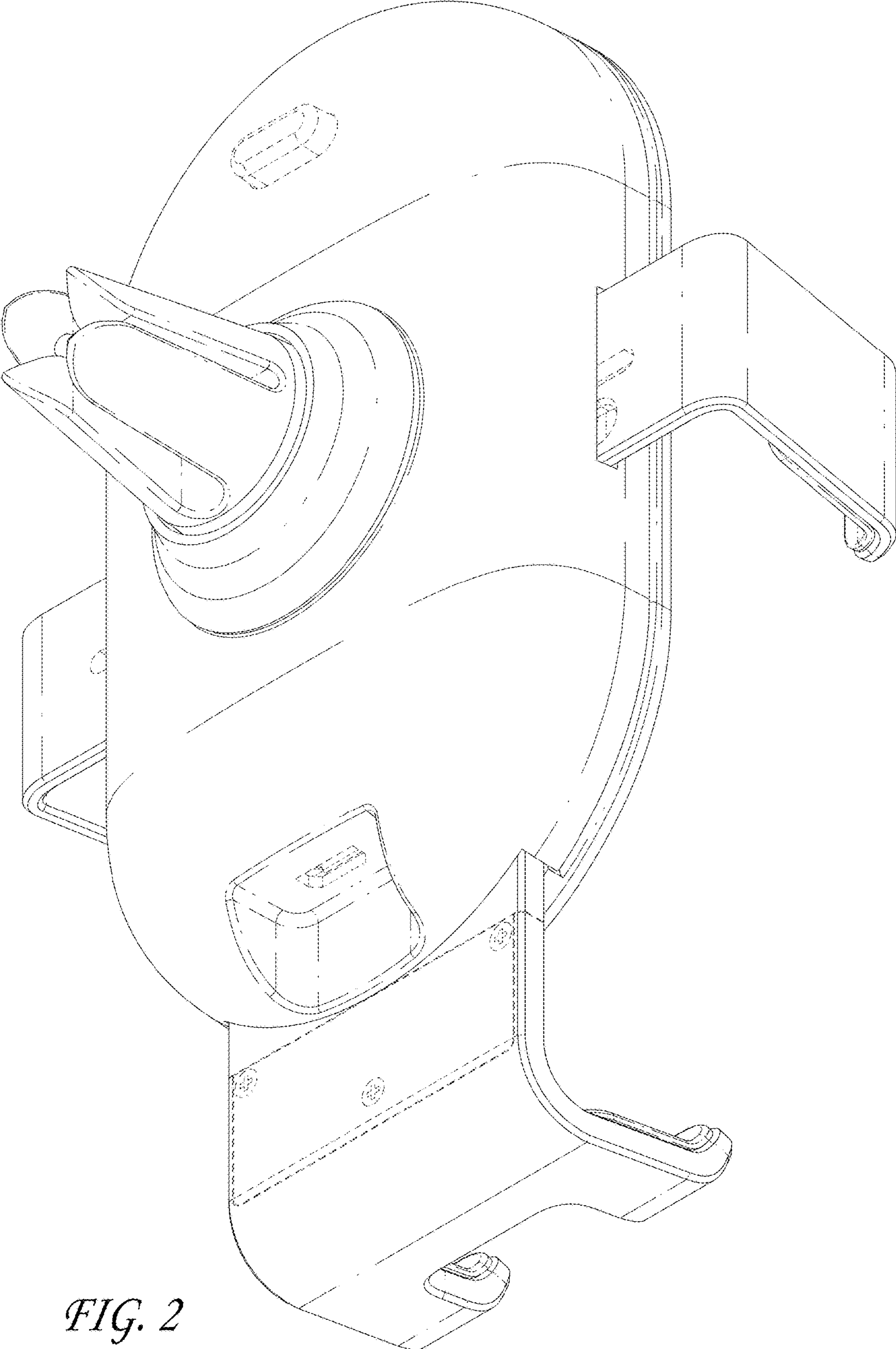


FIG. 2

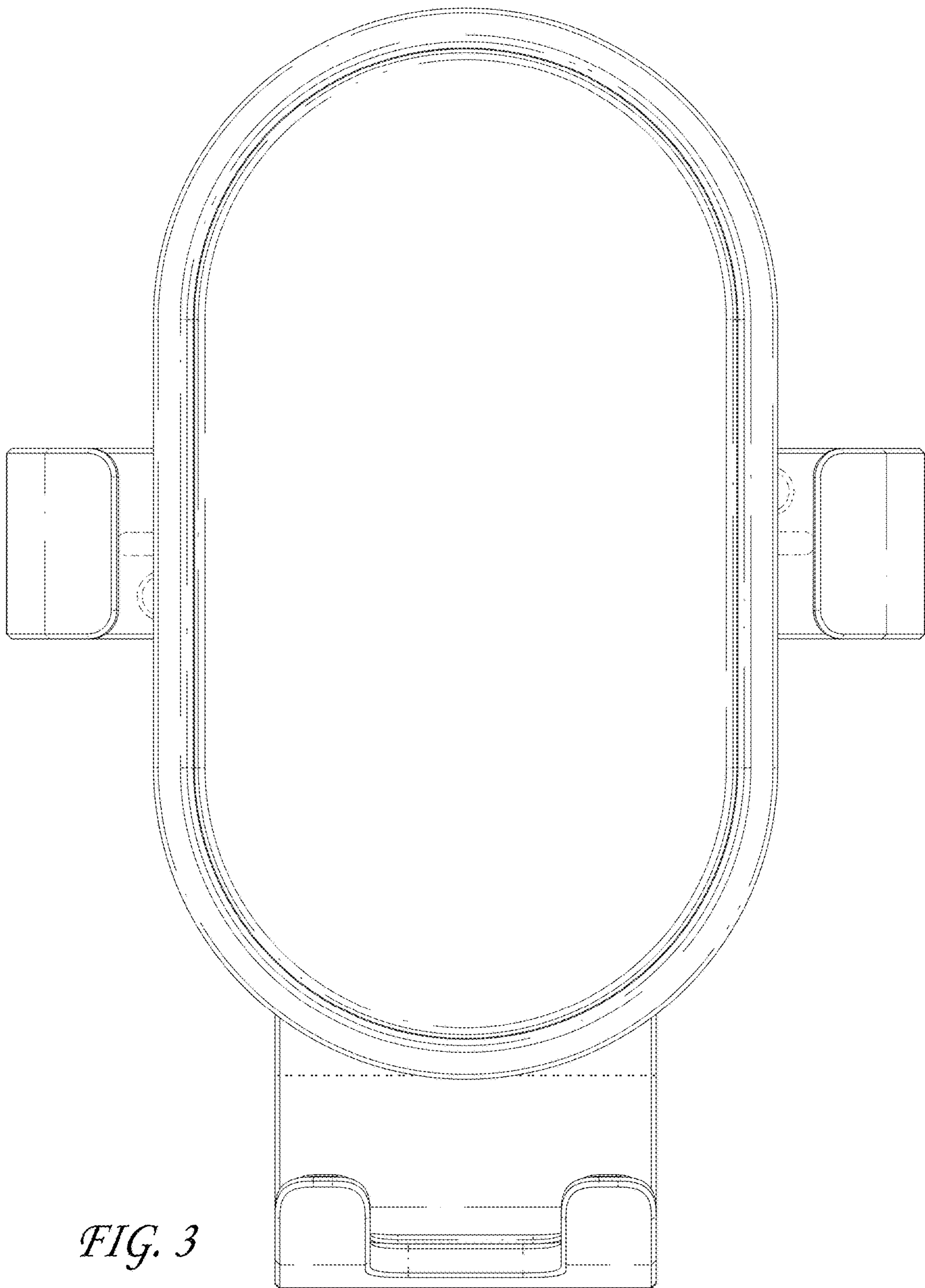


FIG. 3

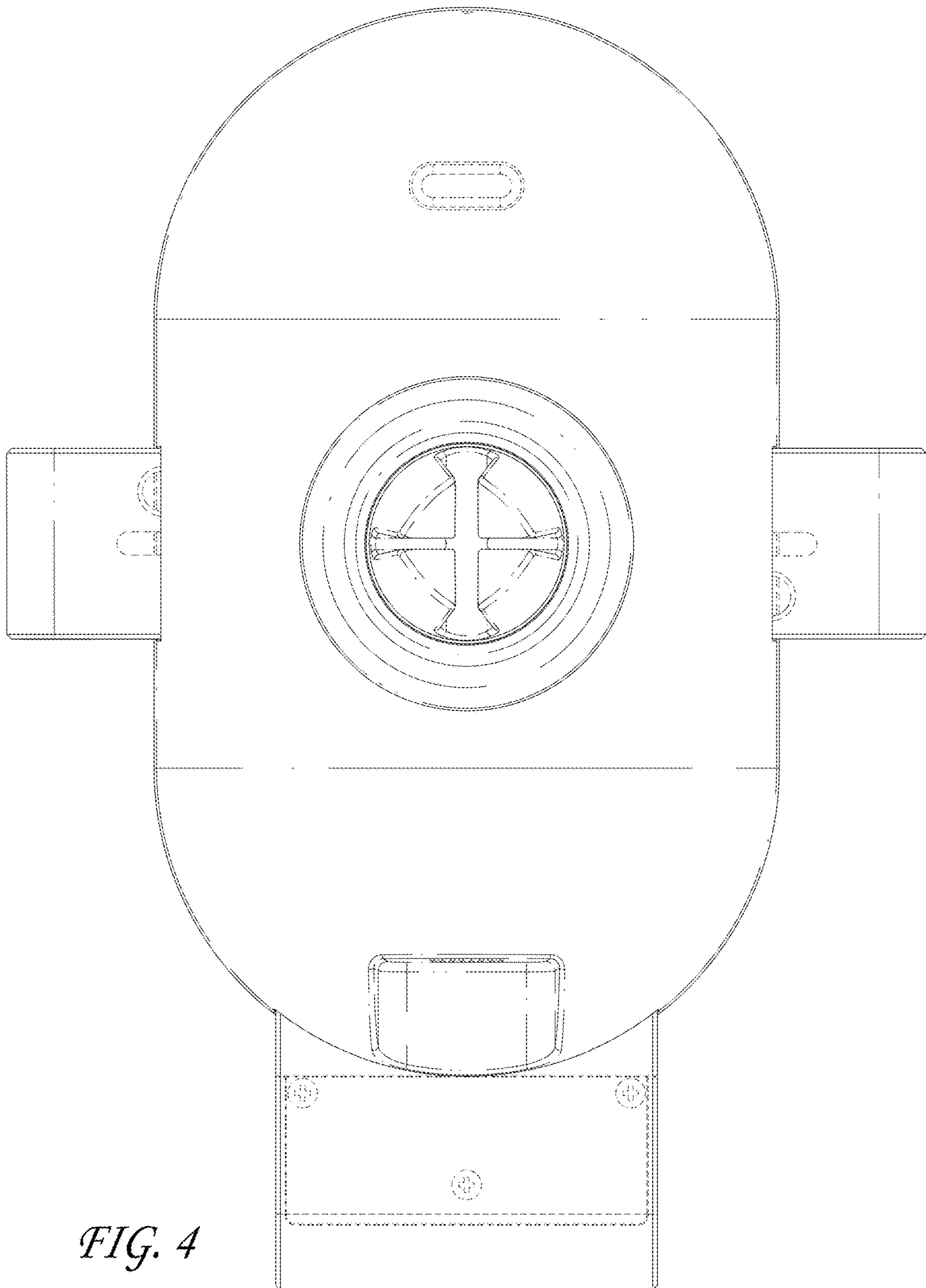


FIG. 4

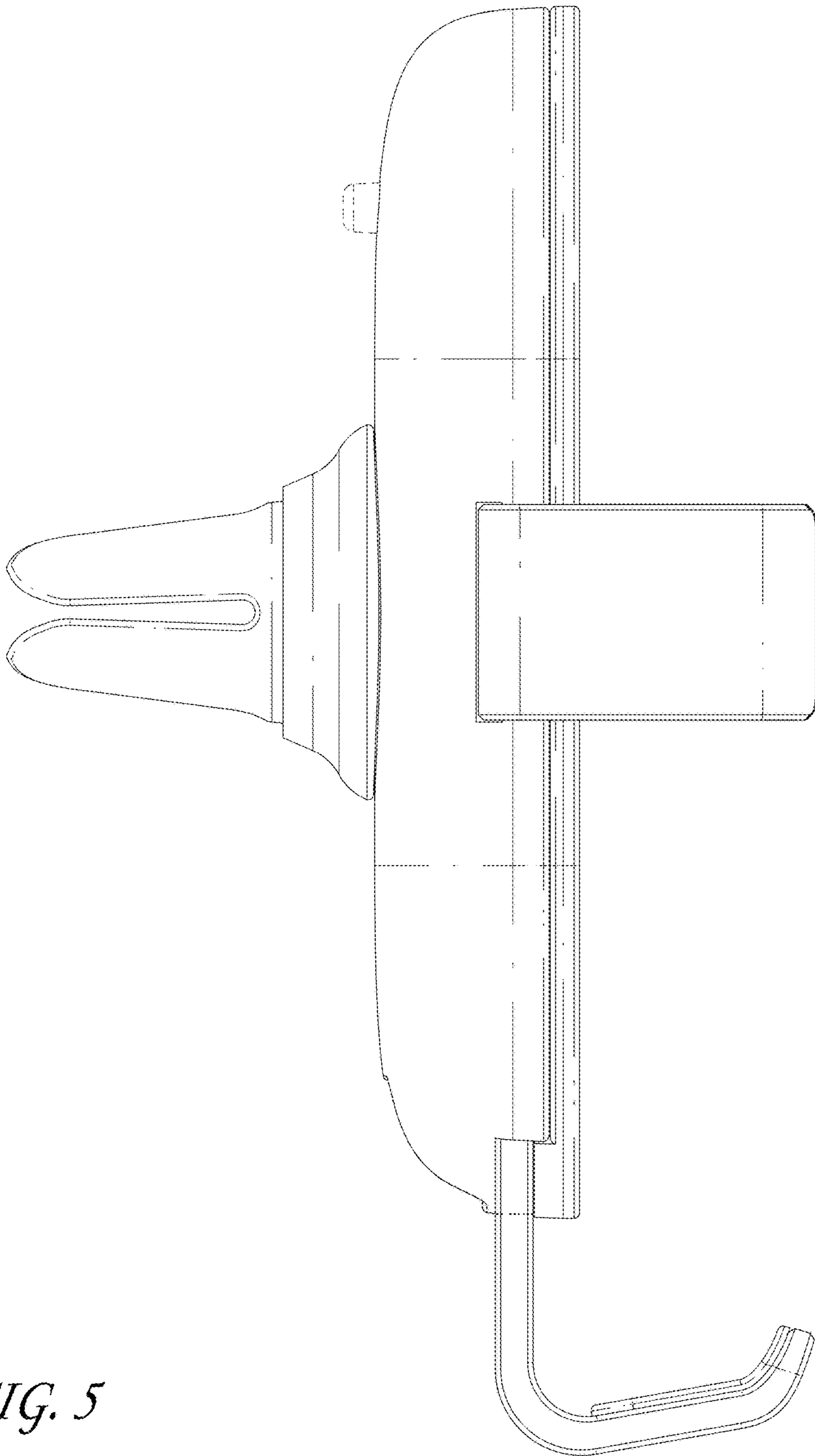
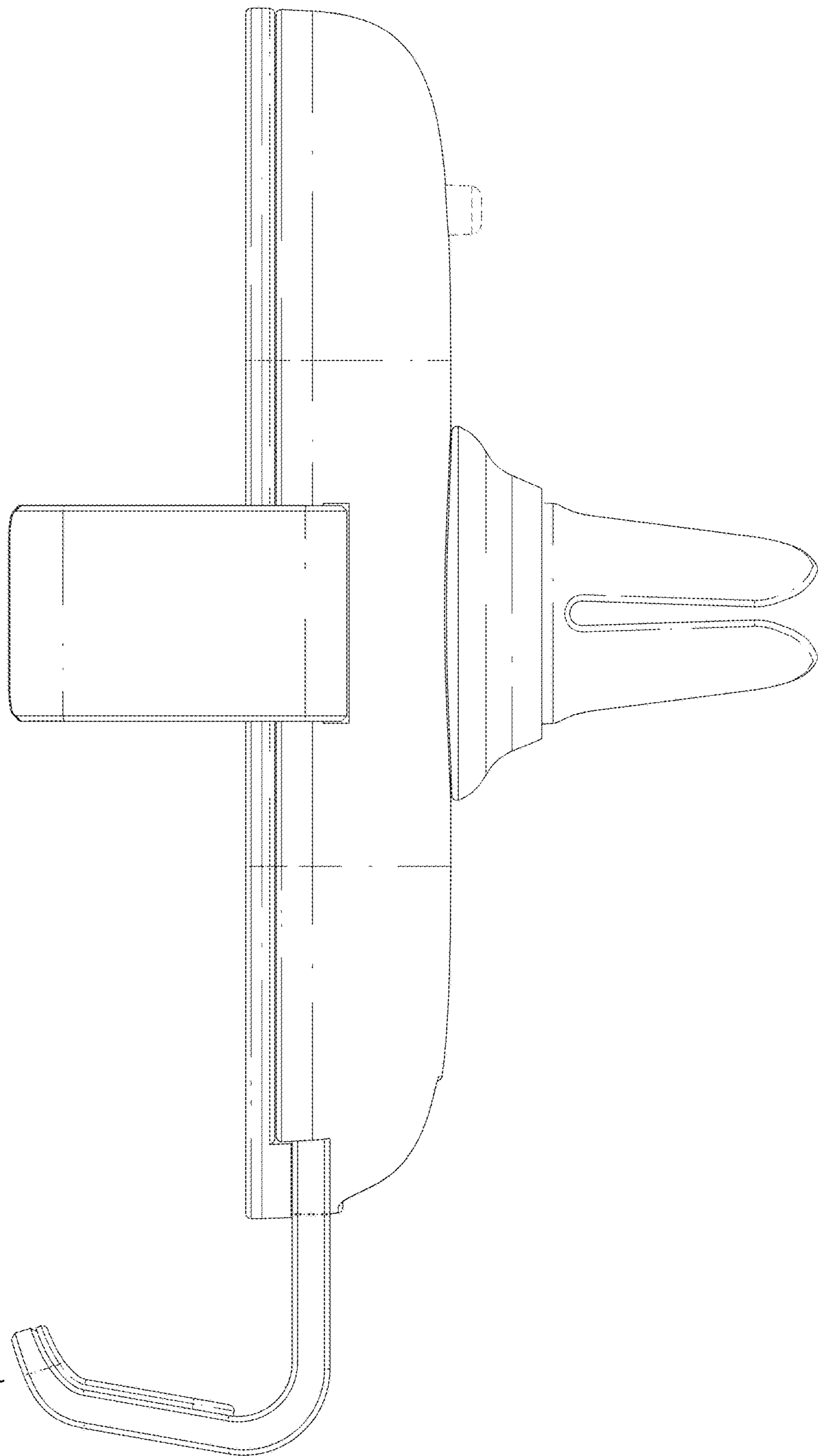


FIG. 5



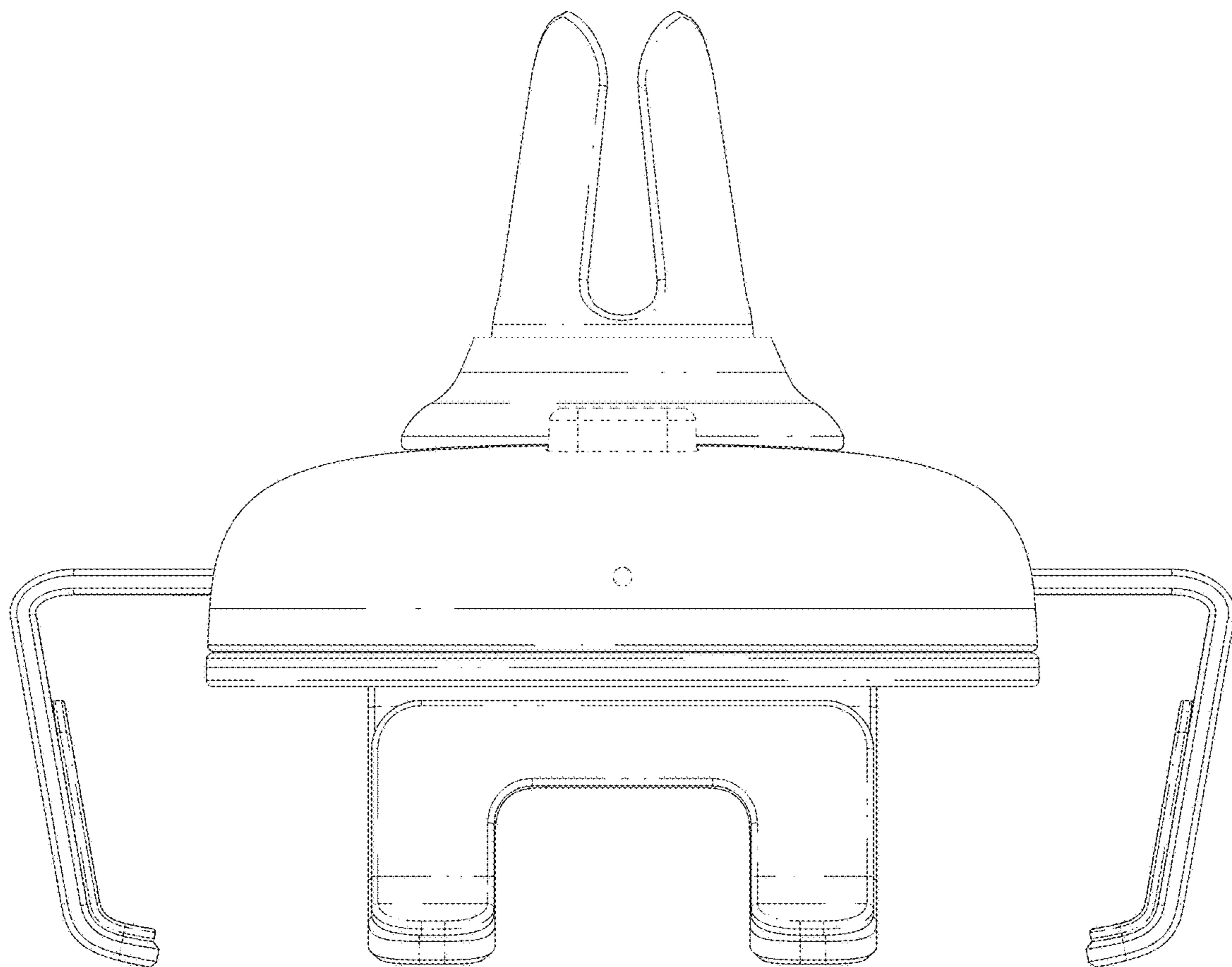


FIG. 7

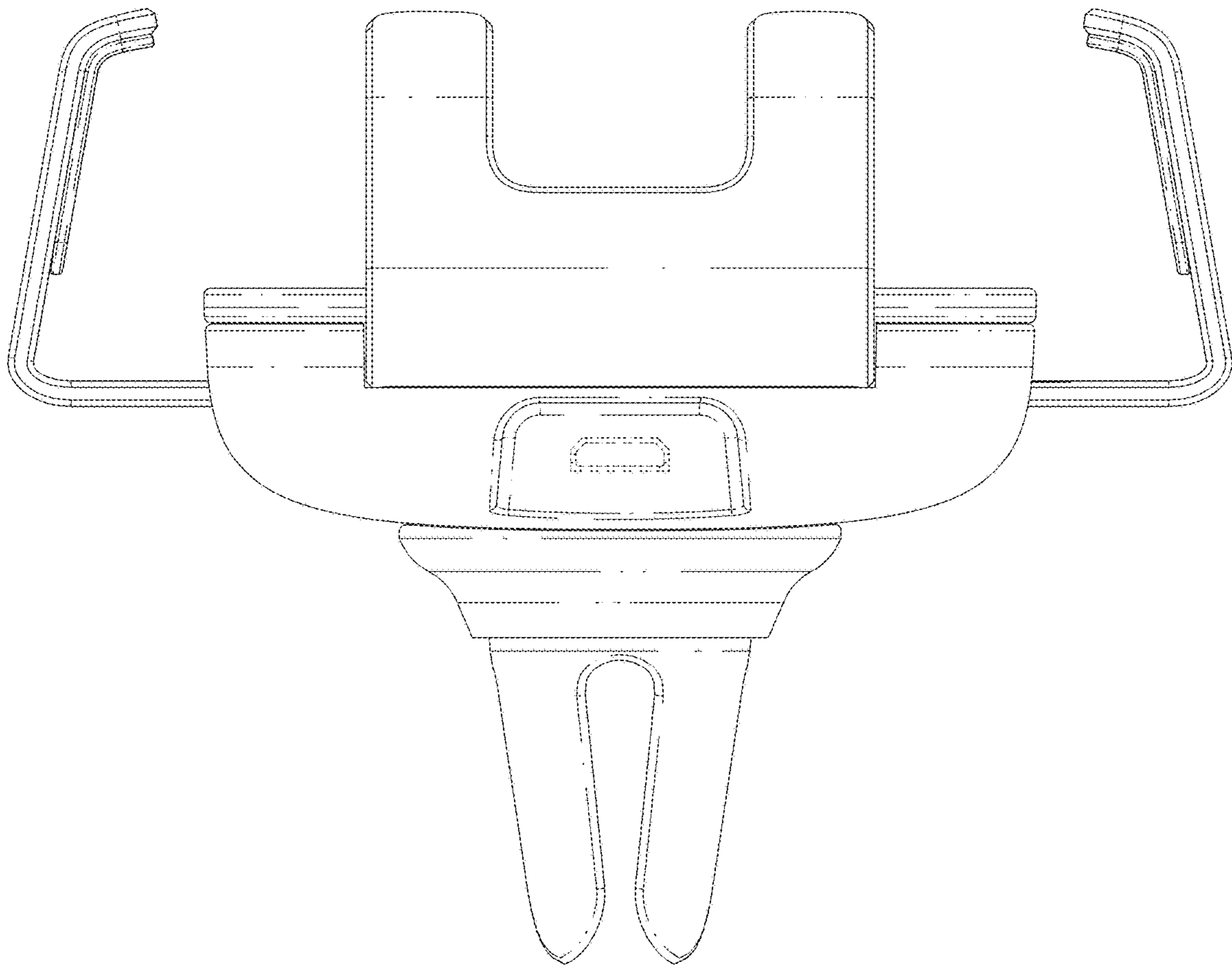


FIG. 8