



US00D859392S

(12) **United States Design Patent**
Jung

(10) **Patent No.:** **US D859,392 S**

(45) **Date of Patent:** **** Sep. 10, 2019**

- (54) **CASE FOR ELECTRONIC COMMUNICATIONS DEVICE**
- (71) Applicant: **SPIGEN KOREA CO., LTD.**, Seoul (KR)
- (72) Inventor: **Soo Ha Jung**, Seoul (KR)
- (73) Assignee: **SPIGEN KOREA CO., LTD.**, Seoul (KR)
- (**) Term: **15 Years**
- (21) Appl. No.: **29/626,338**
- (22) Filed: **Nov. 16, 2017**
- (51) **LOC (12) Cl.** **14-03**
- (52) **U.S. Cl.**
USPC **D14/250**
- (58) **Field of Classification Search**
USPC D14/248, 439, 203.3–203.7, 447, 238.1, D14/440, 251–253, 217, 240, 250; D3/201, 218, 247, 269, 273, 301, 303; D13/103, 107–108, 119
CPC H04B 1/3888; H04M 1/0283; H04M 1/0202; A45C 1/06; A45C 2011/002; A45C 11/00; A45C 13/02; A45F 2005/026; A45F 2200/0525; A45F 2200/0516
See application file for complete search history.

- D681,615 S * 5/2013 Fathollahi D14/250
- D682,260 S * 5/2013 Tages D14/250
- D683,338 S 5/2013 Wilson et al.
- D684,150 S 6/2013 Goradesky et al.
- D685,361 S 7/2013 Goradesky et al.
- D687,027 S 7/2013 Melanson et al.
- D694,224 S 11/2013 Wooseung
- D694,244 S * 11/2013 Magness D14/440
- D696,238 S 12/2013 Murchison et al.
- D696,240 S 12/2013 Kim et al.
- D696,257 S * 12/2013 Ward D14/440
- D697,060 S 1/2014 Yang
- D703,653 S 4/2014 Brubaker et al.
- D706,754 S 6/2014 Goradesky
- D709,057 S 7/2014 Wilson et al.
- D709,058 S * 7/2014 Hemesath D14/250
- D709,059 S * 7/2014 Kim D14/250
- D717,781 S * 11/2014 Kim D14/250
- D721,071 S 1/2015 Nelson et al.
- D721,693 S 1/2015 Lee et al.
- D733,154 S * 6/2015 Armstrong D14/440
- D739,394 S 9/2015 Rayner et al.
- D741,845 S 10/2015 Kim
- 9,179,558 B1 * 11/2015 Limber H05K 5/0004
- D746,801 S 1/2016 Pan
- D746,805 S 1/2016 Kim
- D748,613 S 2/2016 Sasaki et al.
- D750,058 S * 2/2016 Choi D14/250
- D750,610 S 3/2016 Chen
- D755,772 S 5/2016 Sasaki et al.
- D756,343 S 5/2016 Wall et al.
- D761,263 S * 7/2016 Brinkman D14/440
- D762,198 S * 7/2016 Burgess D14/250
- D762,204 S * 7/2016 Armstrong D14/250
- D762,631 S * 8/2016 Kim D14/250
- D763,241 S 8/2016 Kim
- D763,854 S * 8/2016 Domke D14/440
- D765,627 S 9/2016 Watt
- D765,633 S 9/2016 Northrup et al.
- D765,644 S 9/2016 Witter et al.
- D765,645 S 9/2016 Kim
- D766,226 S * 9/2016 Wu D14/250
- D766,885 S * 9/2016 Armstrong D14/250
- D767,551 S 9/2016 Sasaki et al.
- D767,552 S 9/2016 Sasaki et al.
- D771,612 S 11/2016 Roberts et al.
- D771,613 S 11/2016 Poon et al.
- D772,211 S 11/2016 Poon et al.
- D773,445 S 12/2016 Witter et al.
- D776,098 S * 1/2017 Poon D14/250
- D776,104 S * 1/2017 Tien D14/250
- D776,647 S 1/2017 Kim
- D777,157 S 1/2017 Kim

(56) **References Cited**
U.S. PATENT DOCUMENTS

- D574,819 S 8/2008 Andre et al.
- D615,077 S 5/2010 Richardson et al.
- D615,536 S 5/2010 Richardson et al.
- D623,639 S 9/2010 Richardson et al.
- D623,640 S 9/2010 Freeman
- D643,029 S 8/2011 Feng
- D643,837 S 8/2011 Smith
- D662,929 S 7/2012 Fahrendorff et al.
- D670,279 S * 11/2012 Veltz D14/250
- D671,930 S 12/2012 Akana et al.
- D673,539 S 1/2013 Magness et al.
- D674,789 S 1/2013 Wen
- D679,695 S 4/2013 Fahrendorff et al.



D777,159 S	1/2017	Lee et al.	
D779,471 S *	2/2017	Tien	D14/250
D780,167 S	2/2017	Tien	
D780,741 S	3/2017	Yin	
D781,835 S	3/2017	Kim et al.	
D781,836 S	3/2017	Kim et al.	
D781,837 S	3/2017	Kim et al.	
D781,838 S	3/2017	Kim et al.	
D781,839 S	3/2017	Kim et al.	
D781,840 S	3/2017	Kim et al.	
D782,453 S	3/2017	Kim et al.	
D782,454 S	3/2017	Kim et al.	
D783,588 S	4/2017	Chang	
D784,309 S	4/2017	Lee et al.	
D786,848 S	5/2017	Park et al.	
D786,849 S	5/2017	Park et al.	
D789,344 S *	6/2017	Kim	D14/250
D792,394 S	7/2017	Lee et al.	
D792,886 S *	7/2017	Schwibner	D14/440
D794,625 S	8/2017	Armstrong et al.	
D794,626 S	8/2017	Armstrong et al.	
D795,237 S	8/2017	Jung et al.	
D797,715 S	9/2017	Kim	
D800,713 S *	10/2017	Kim	D14/250
D800,714 S	10/2017	Lee et al.	
D801,323 S	10/2017	Kim	
D802,576 S	11/2017	Ahn	
D802,577 S	11/2017	Ahn	
D806,082 S	12/2017	Armstrong et al.	
2014/0076753 A1 *	3/2014	Limber	H04B 1/3888 206/320
2014/0216973 A1 *	8/2014	Chang	B65D 81/022 206/521

OTHER PUBLICATIONS

“iPhone 6S Plus Case, Caseology [Wavelength Series] Slim Fit Military-Grade Drop Protection [Navy Blue] for Apple iPhone 6S Plus (2015) & iPhone 6 Plus (2014)”, <https://www.amazon.com/iPhone-Caseology-Wavelength-Military-Grade-Protection/dp/B013W2C77G>, Earliest review date of Sep. 10, 2015, Downloaded on Mar. 13, 2018.

“iPhone SE Case, for Apple iPhone 5S/5 Case, ROCK [Royce] Antiscratch Drop Protection Slim Fit Dual Layered Heavy Duty Armor Hybrid Hard PC + Soft TPU Protective Shell Case Champagne Gold/Black”, <https://www.amazon.com/ROCKAntiscratchProtectionLayeredProtective/dp/B014A8AM71>, Earliest review date of Oct. 16, 2015, Downloaded on Jan. 30, 2017. George Tinari, “Caseology review: Testing 4 of the nicest iPhone 6s cases available”, Published Nov. 28, 2015, accessed at <http://www.cultofmac.com/399325/caseology-review>.

“Gold Apple iPhone 5 5S Hybrid Shockproof Hard Bumper Soft Case Cover Skin”, <https://web.archive.org/web/20160321221419/https://www.nywatchstore.com/goapip55shys.html>, first archived on Mar. 21, 2016 at Wayback Machine, Downloaded on Jan. 22, 2019.

“ROCK PC+TPU Neo Hybrid Durable Slim Armor cover case for iphone X 6S 5S SE Plus”, <https://www.ebay.com/itm/ROCK-PC-TPU-Neo-Hybrid-Durable-Slim-Armor-cover-case-for-iphone-X-6S-5S-SE-Plus-/111952466831>, listing first revised on Mar. 30, 2016, Downloaded on Mar. 9, 2018.

“Rock Royce Hybrid Case for Apple iPhone 5 5S & SE Iron Grey”, <https://www.gadgetwear.co.uk/products/rock-royce-hybrid-case-for-apple-iphone-5-5s-se-iron-grey>, Earliest review date of Aug. 26, 2016, Downloaded on Mar. 9, 2018.

“BENTOBEN Heavy Duty Slim Shockproof Drop Protection 3 in 1 Hybrid Hard PC Covers Soft Rubber Bumper Protective Case for iPhone 8 Plus / 7 Plus Cute Rose Gold”, <https://www.amazon.com/BENTOBEN-Shockproof-Protection-Hybrid-Protective/dp/B01LNLX9EI>, Earliest review date of Sep. 23, 2016, Downloaded on Mar. 18, 2019.

“OtterBox Symmetry Series for Samsung Galaxy S8—Retail Packaging—Prickly Pear (Rosmarine/Mountain Range Green)”, <https://www.amazon.com/OtterBox-SYMMETRY-Samsung-Galaxy->

Packaging/dp/B06XDYV3CQ, Earliest review date of Apr. 15, 2017, Downloaded on Mar. 18, 2019.

“OtterBox Symmetry Series Case for iPhone Xs & iPhone X—Retail Packaging—Aspen Gleam (Citrus/Sunflower)”, <https://www.amazon.com/OtterBox-SYMMETRY-Case-iPhone-Packaging/dp/B07GKRLCLC>, Earliest review date of Oct. 22, 2017, Downloaded on Mar. 18, 2019.

“Samsung Galaxy S8 case, i-Blason [Ares] Full-Body Rugged Clear Bumper Case with Built-in Screen Protector for Samsung Galaxy S8 2017 Release (Pink)”, <https://www.amazon.com/Samsung-i-Blason-Full-body-Protector-Release/dp/B076P5WBZQ>, Earliest review date of Nov. 3, 2017, Downloaded on Mar. 18, 2019.

* cited by examiner

Primary Examiner — Carla J Wright

(74) Attorney, Agent, or Firm — Heedong Chae; Lucem, PC

(57) CLAIM

The ornamental design for a case for electronic communications device, as shown and described.

DESCRIPTION

FIG. 1 is a front perspective view of a case for electronic communications device showing my new design;

FIG. 2 is a rear perspective view thereof;

FIG. 3 is a front elevational view thereof;

FIG. 4 is a rear elevational view thereof;

FIG. 5 is a left side elevational view thereof;

FIG. 6 is a right side elevational view thereof;

FIG. 7 is a top plan view thereof;

FIG. 8 is a bottom plan view thereof;

FIG. 9 is a front perspective view showing the front outer frame component of the case in isolation;

FIG. 10 is a rear perspective view showing the front outer frame component of the case in isolation;

FIG. 11 is a front perspective view showing the rear outer frame component of the case in isolation;

FIG. 12 is a rear perspective view showing the rear outer frame component of the case in isolation;

FIG. 13 is a front perspective view showing the inner shell component of the case in isolation;

FIG. 14 is a rear perspective view showing the inner shell component of the case in isolation;

FIG. 15 is a front perspective view showing the emblem bar component of the case in isolation on an enlarged scale for clarity of disclosure;

FIG. 16 is a rear perspective view showing the emblem bar component of the case in isolation on an enlarged scale for clarity of disclosure;

FIG. 17 is an exploded front perspective view showing the components of the case separated; and

FIG. 18 is an exploded rear perspective view showing the components of the case separated; and,

FIG. 19 is an enlarged detail view of the encircled region in FIG. 1; the surface characteristics of the side button shown in this view are also representative of the surface characteristics of the buttons on the opposite side of the case.

For clarity of disclosure, the components of the case are shown in isolation in FIGS. 9-16 and separated in FIGS. 17-18. Although the case for electronic communications device, in which the claimed design is embodied, consists of an inner shell component, a front outer frame component, a rear outer frame component, and an emblem bar component,

the claim is directed to the overall ornamental appearance of the case for electronic communications device in its entirety and does not extend to the ornamental appearance of each of the individual components.

The dot-dash broken line circle in FIGS. 1 and 19 delineates a portion of the case for electronic communications device that is part of the claimed design and that is shown on an enlarged scale in FIG. 19. The dashed broken lines throughout the drawing figures depict portions of the case for electronic communications device that form no part of the claimed design. The broken lines, regions bounded by dashed broken lines, and the interior of the case (except for the interior edges of the emblem bar and emblem bar opening) shown in FIGS. 1, 3, 13, and 17 form no part of the claimed design.

1 Claim, 19 Drawing Sheets

FIG. 1

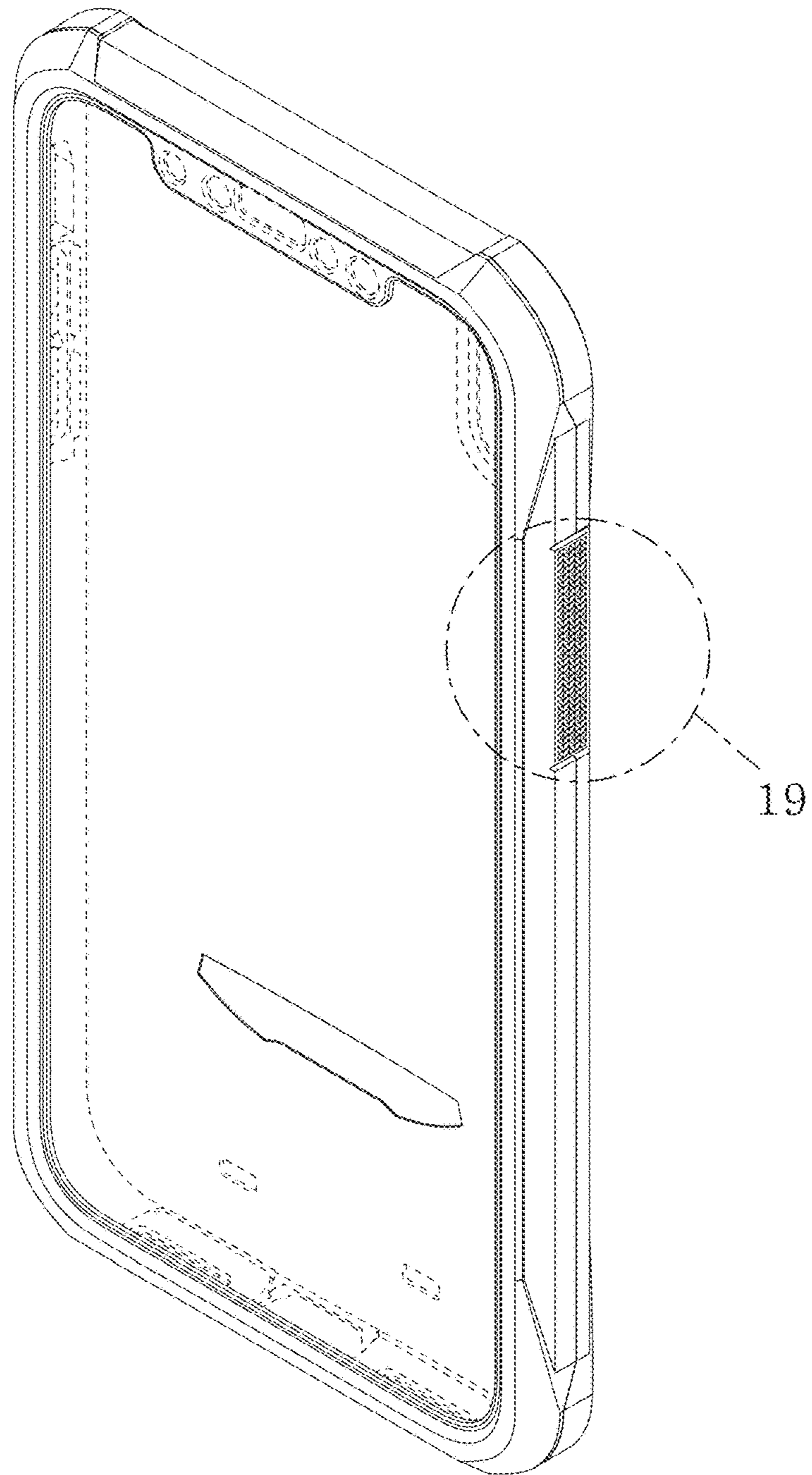


FIG. 2

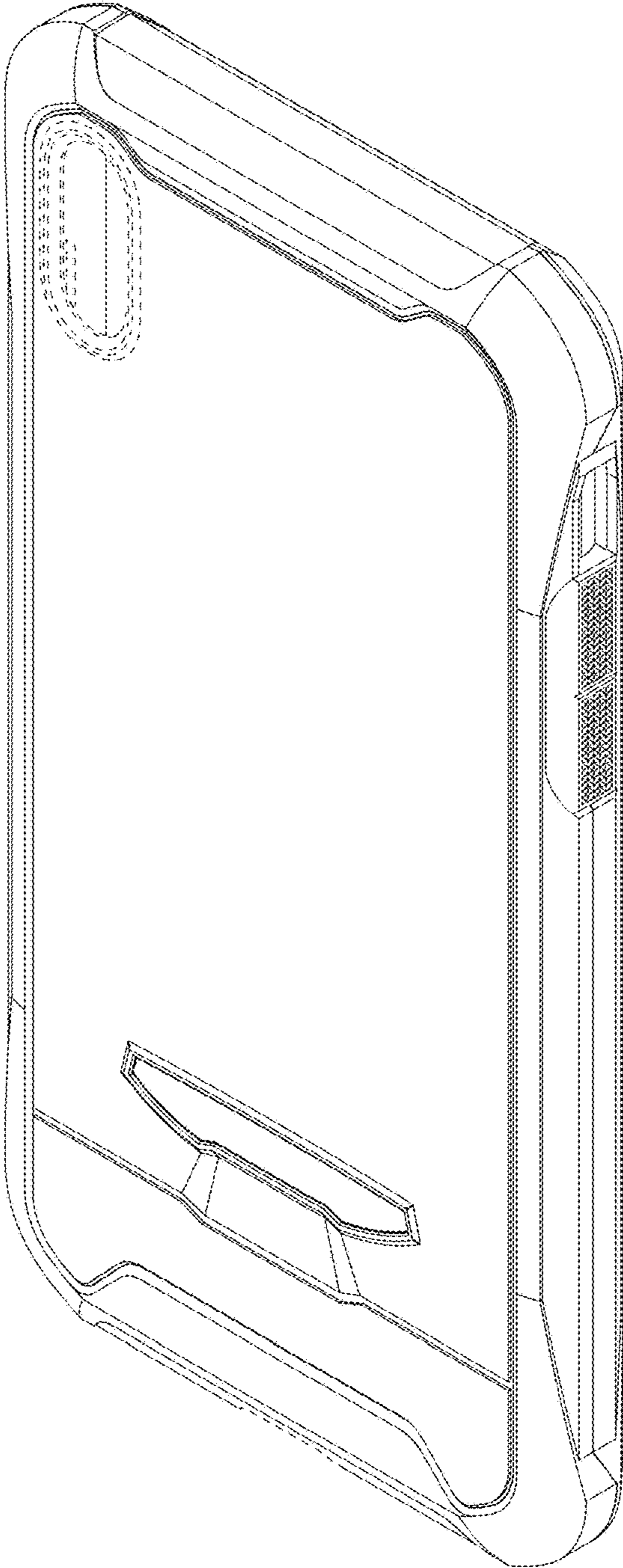


FIG. 3

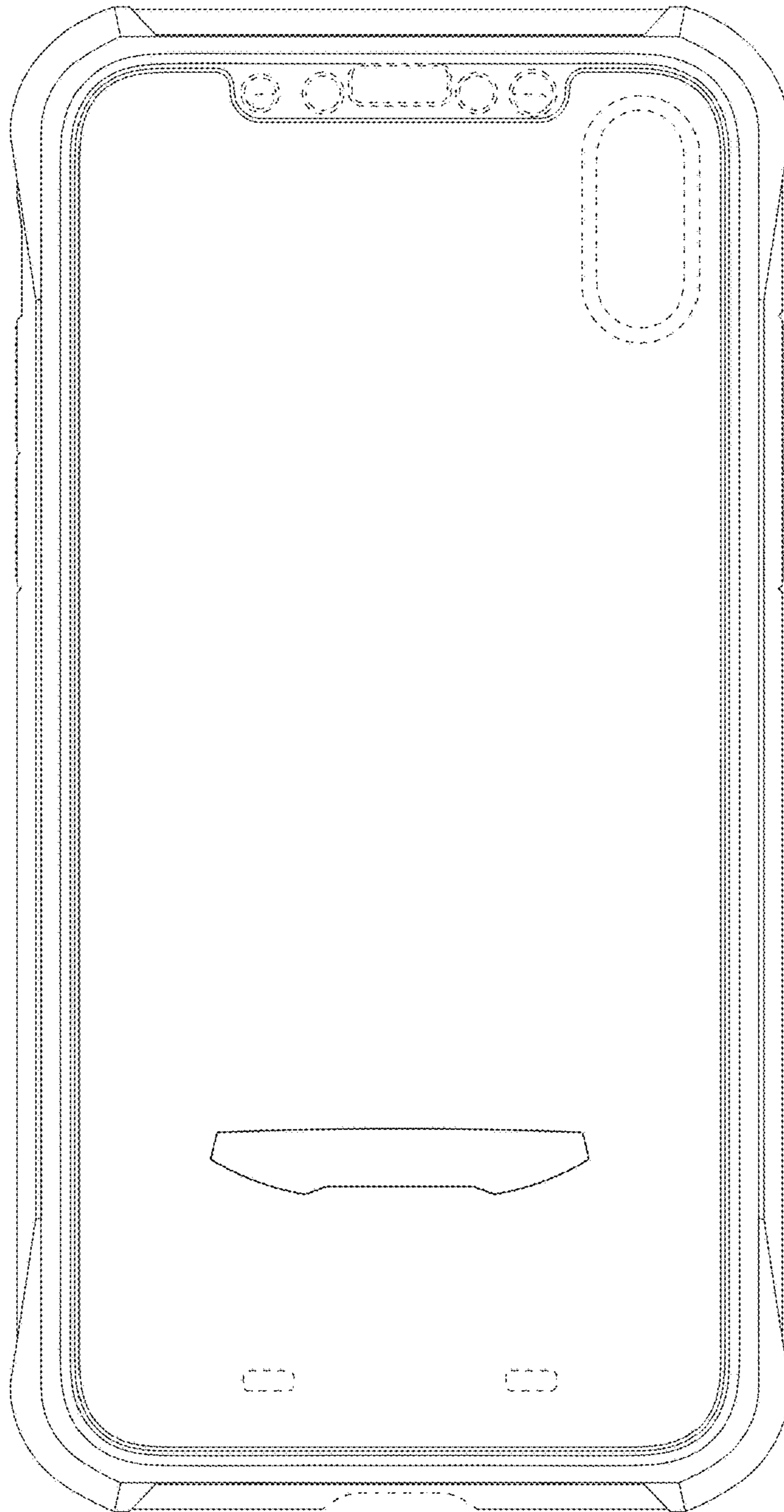


FIG. 4

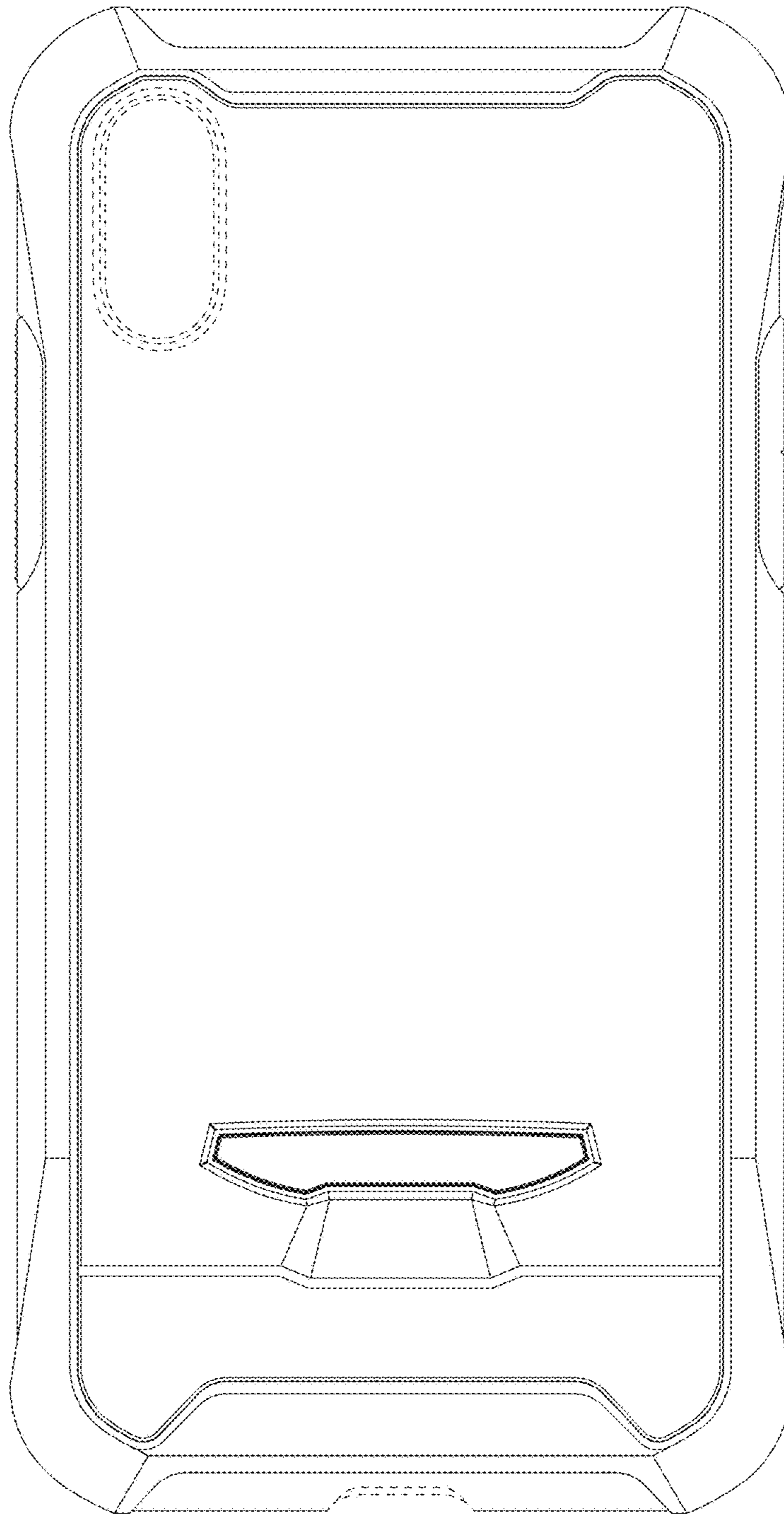


FIG. 5

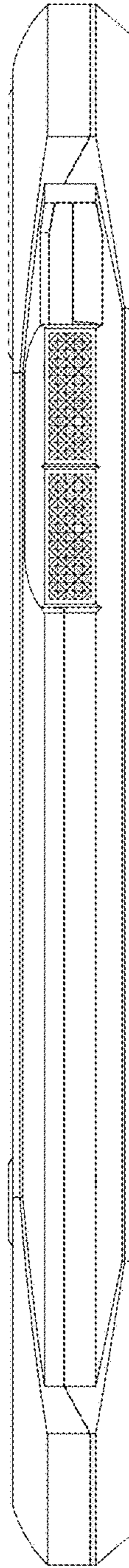


FIG. 6

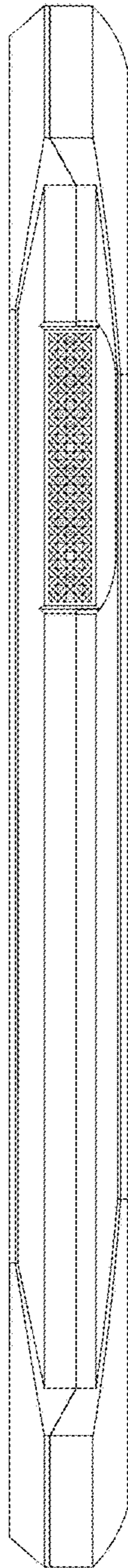


FIG. 7

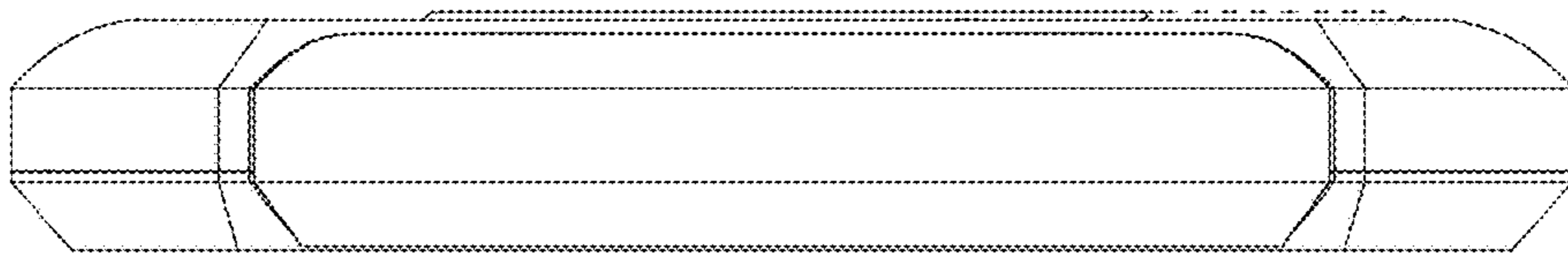


FIG. 8

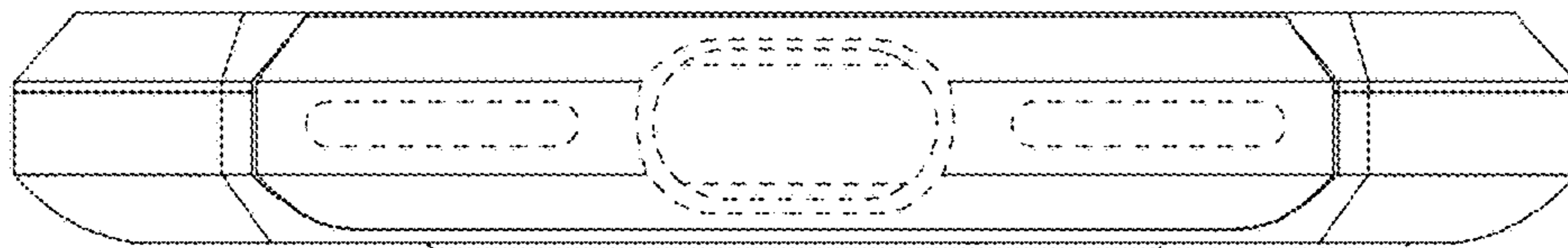


FIG. 9

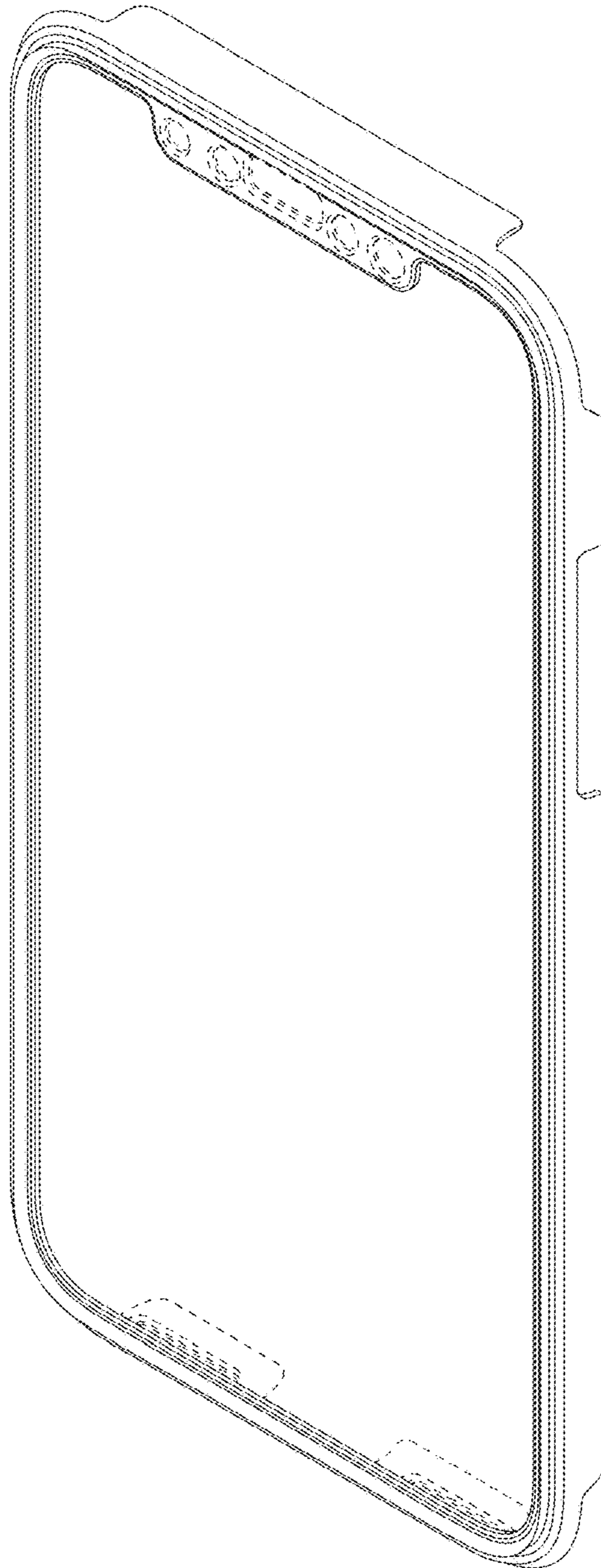


FIG. 10

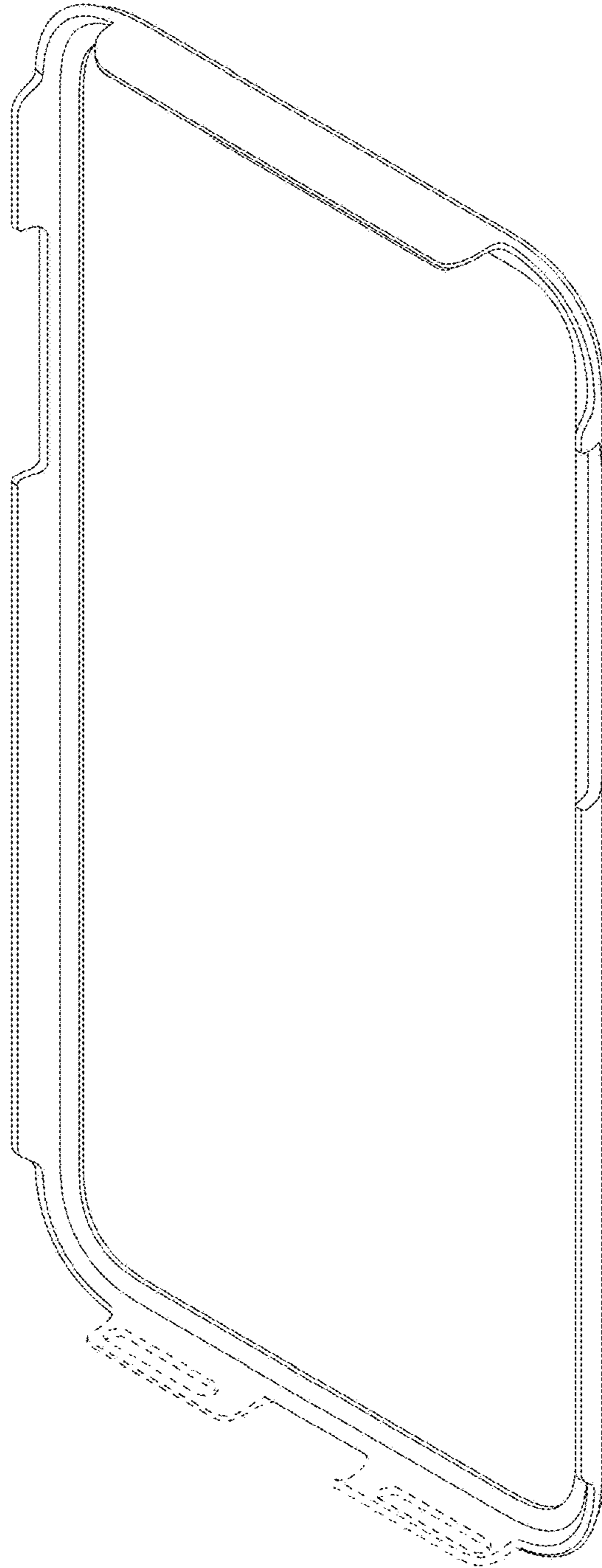


FIG. 11

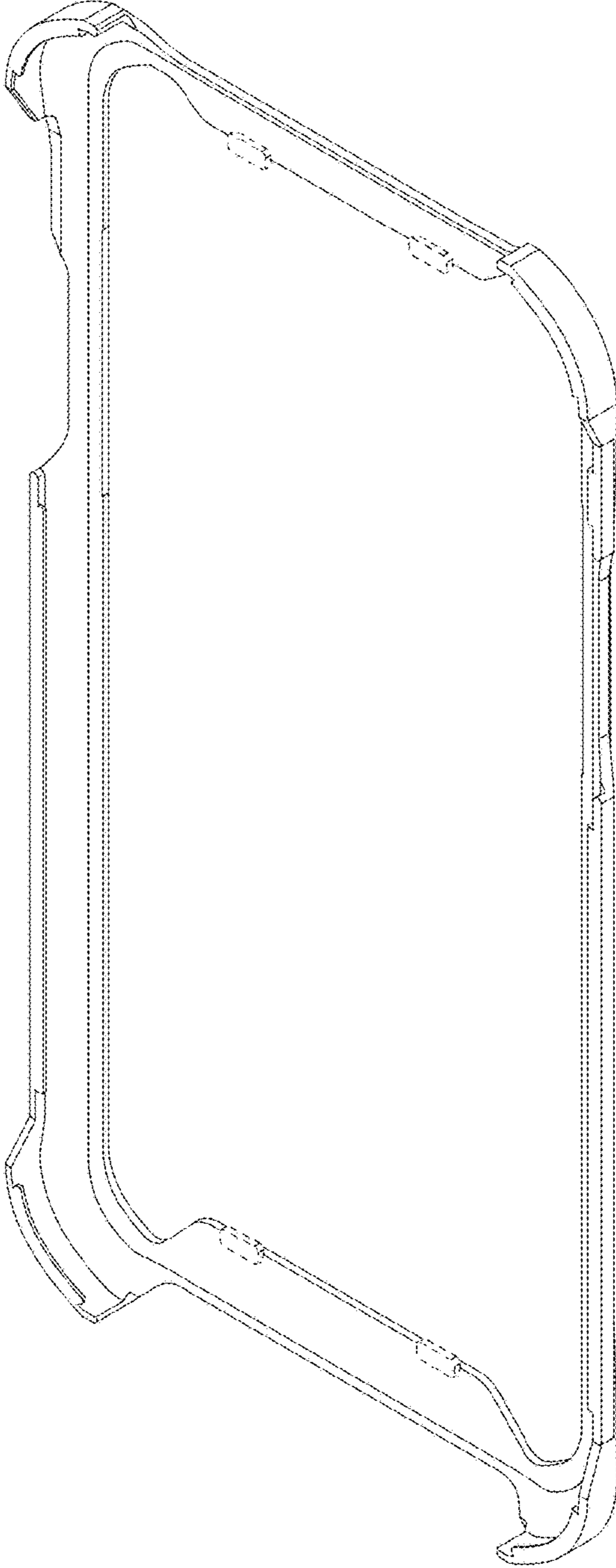


FIG. 12

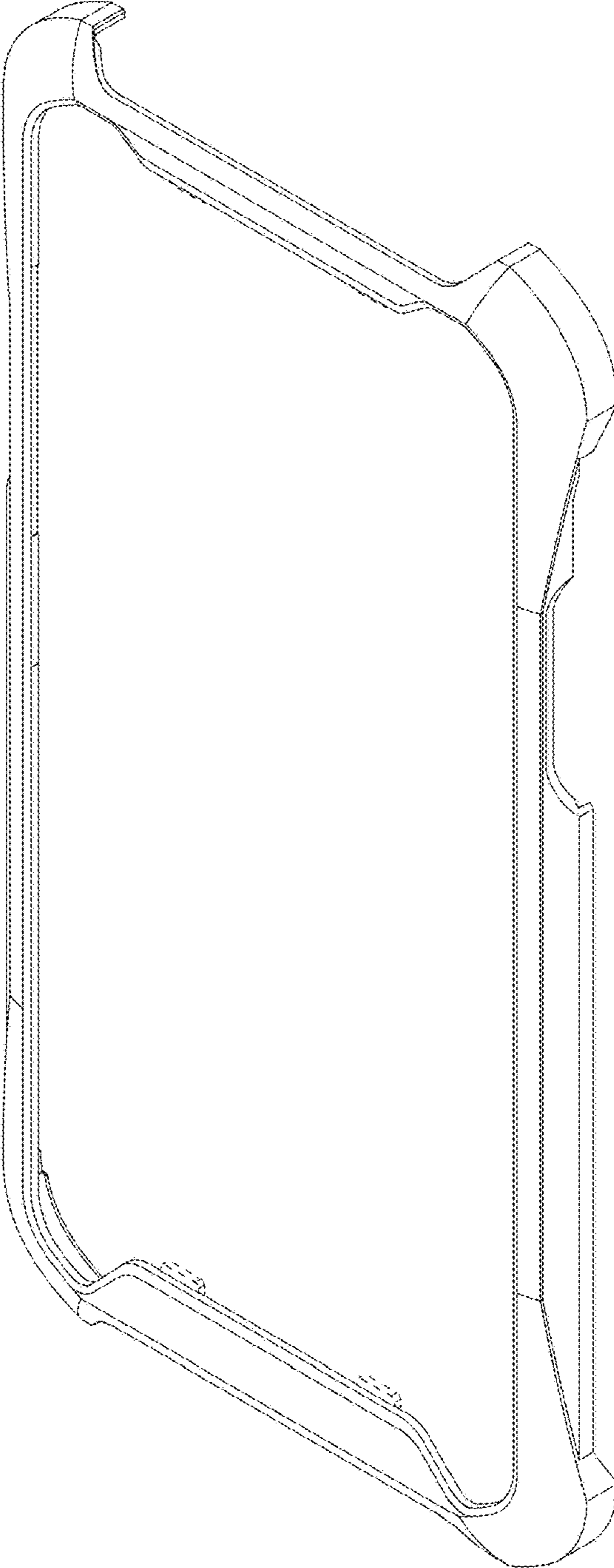


FIG. 13

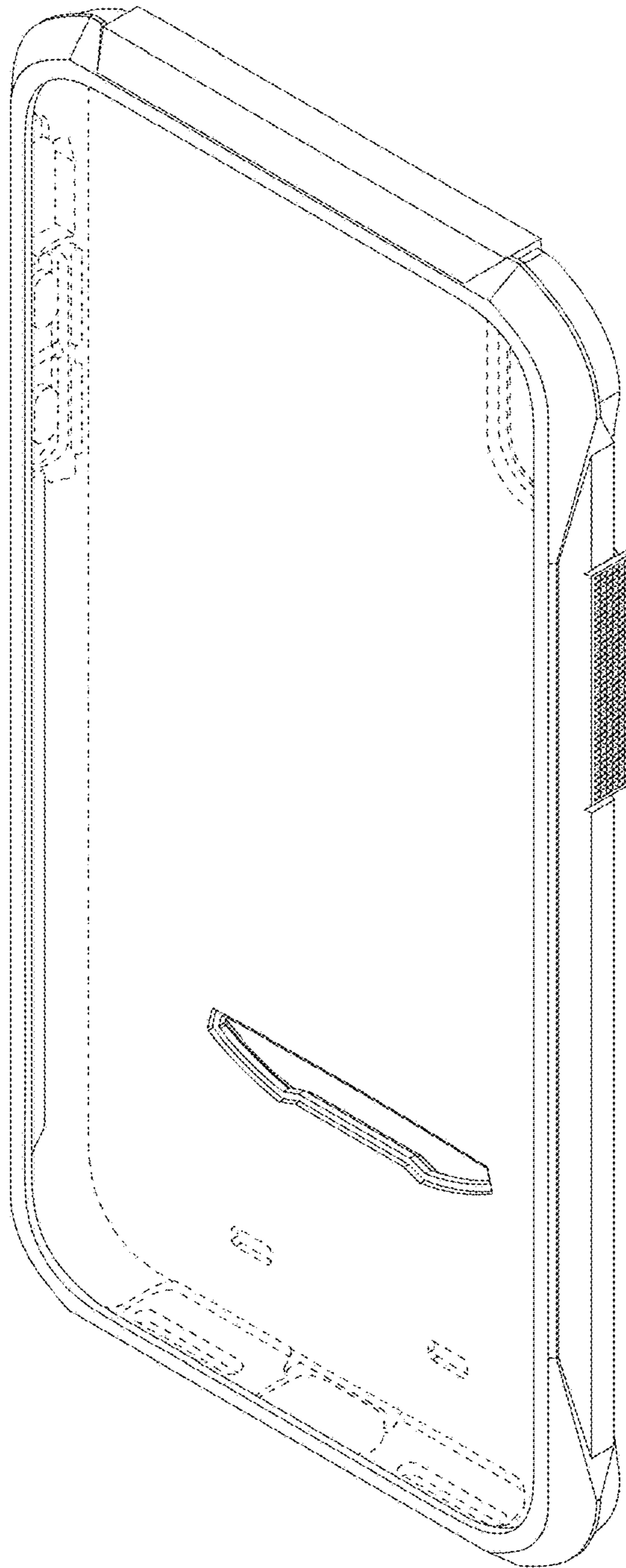


FIG. 14

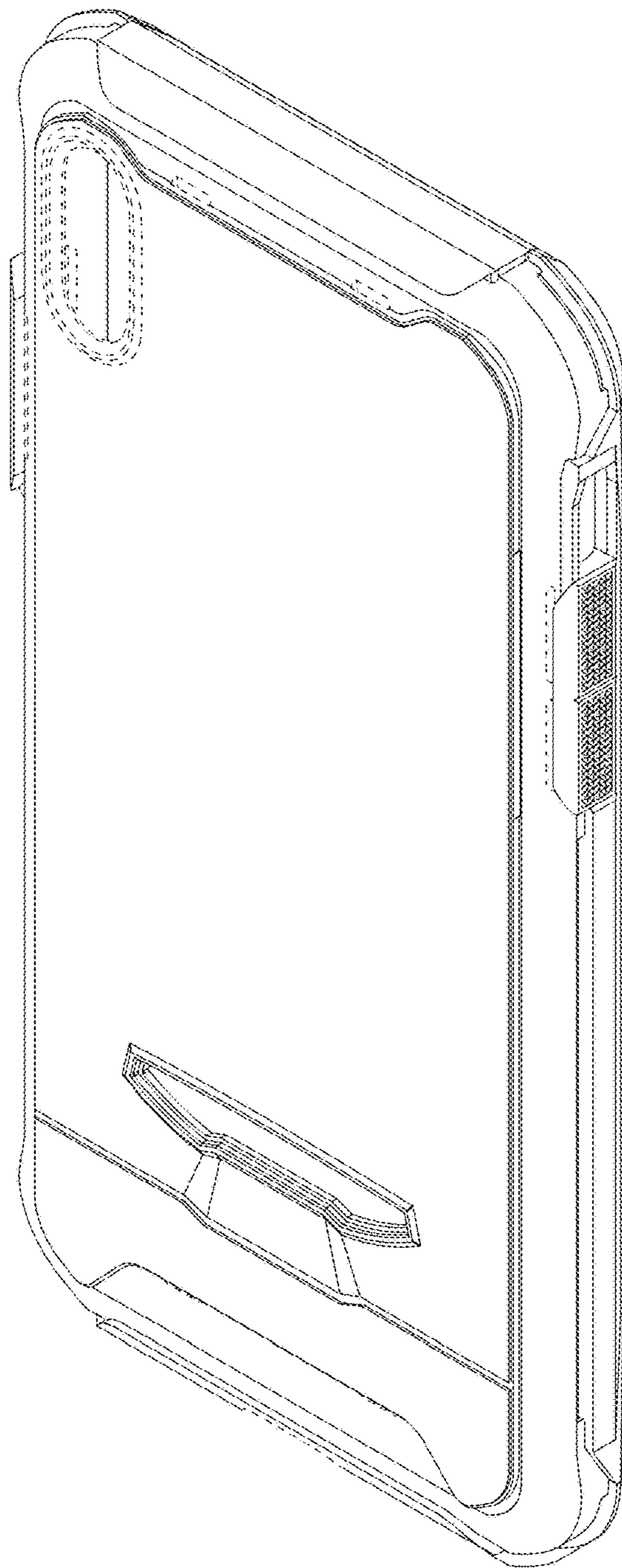


FIG. 15

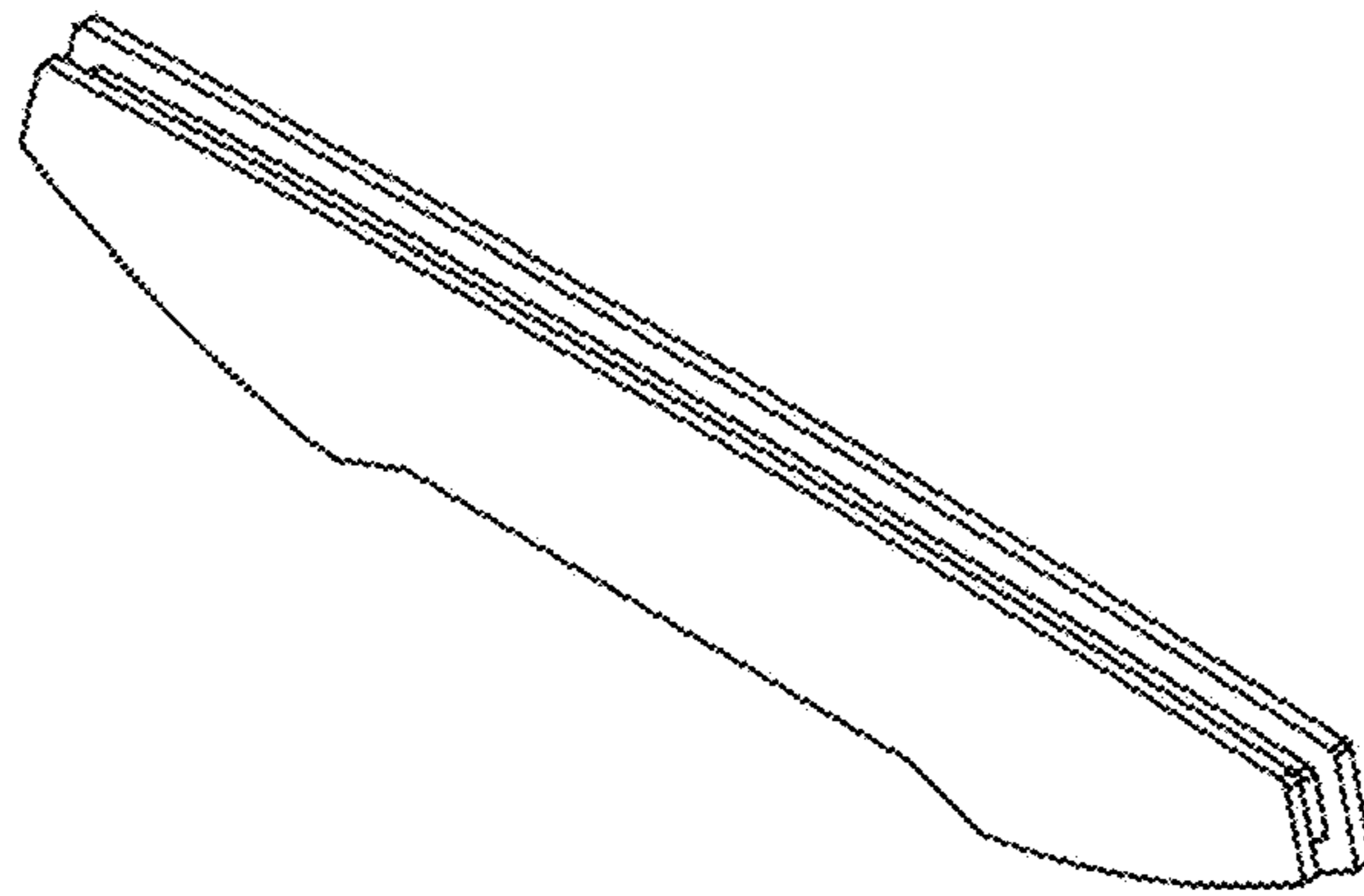


FIG. 16

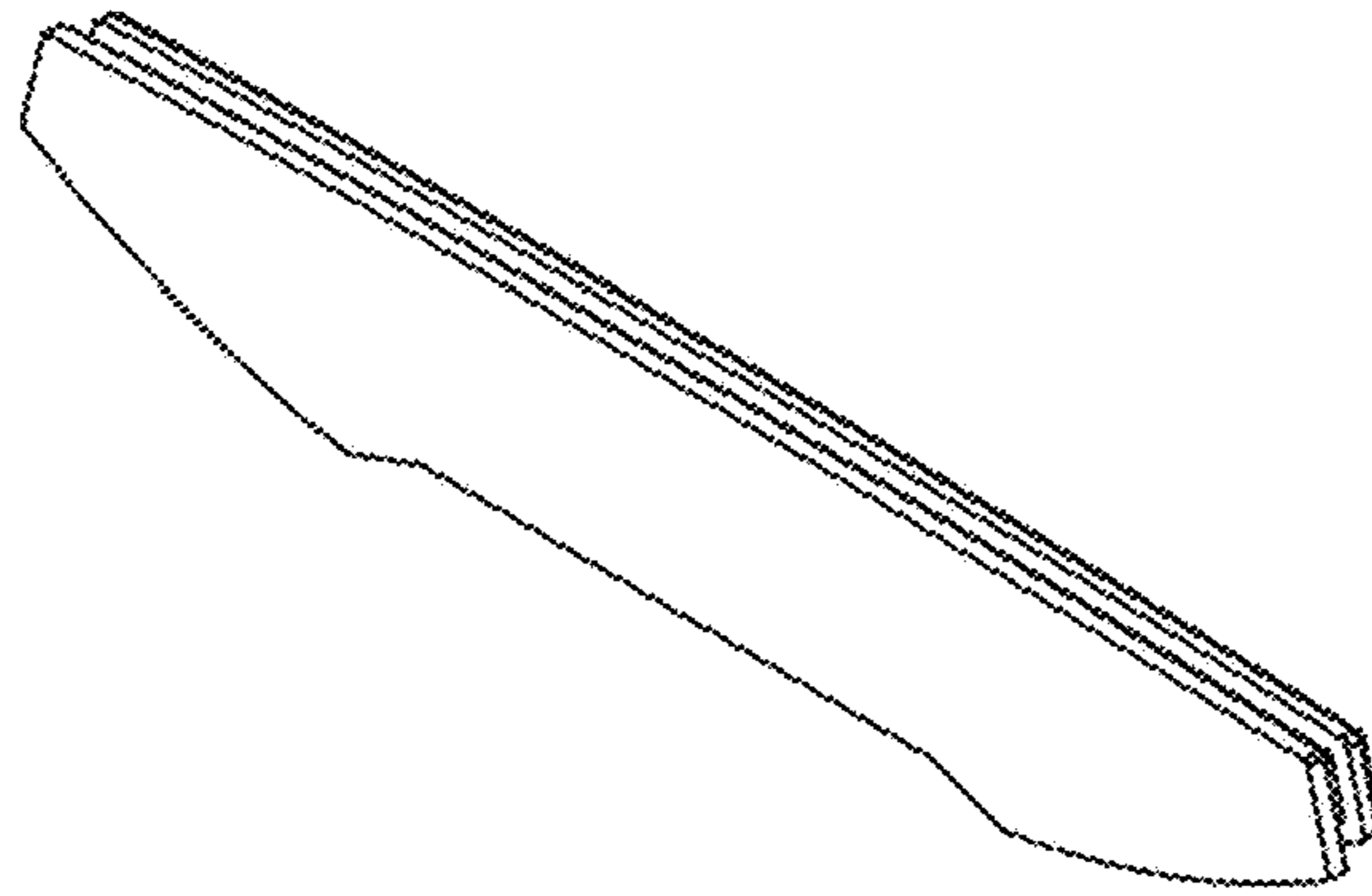


FIG. 17

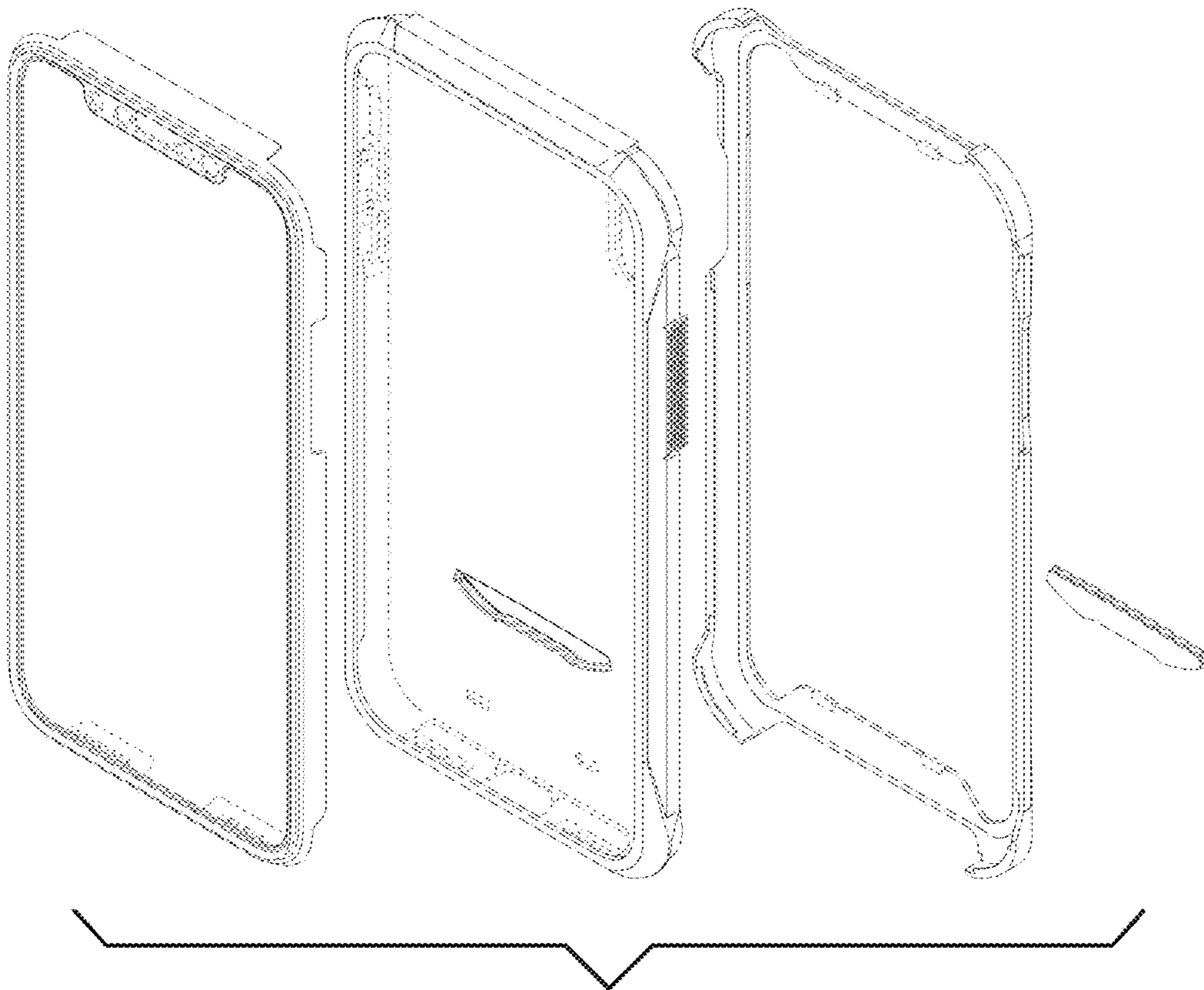


FIG. 18

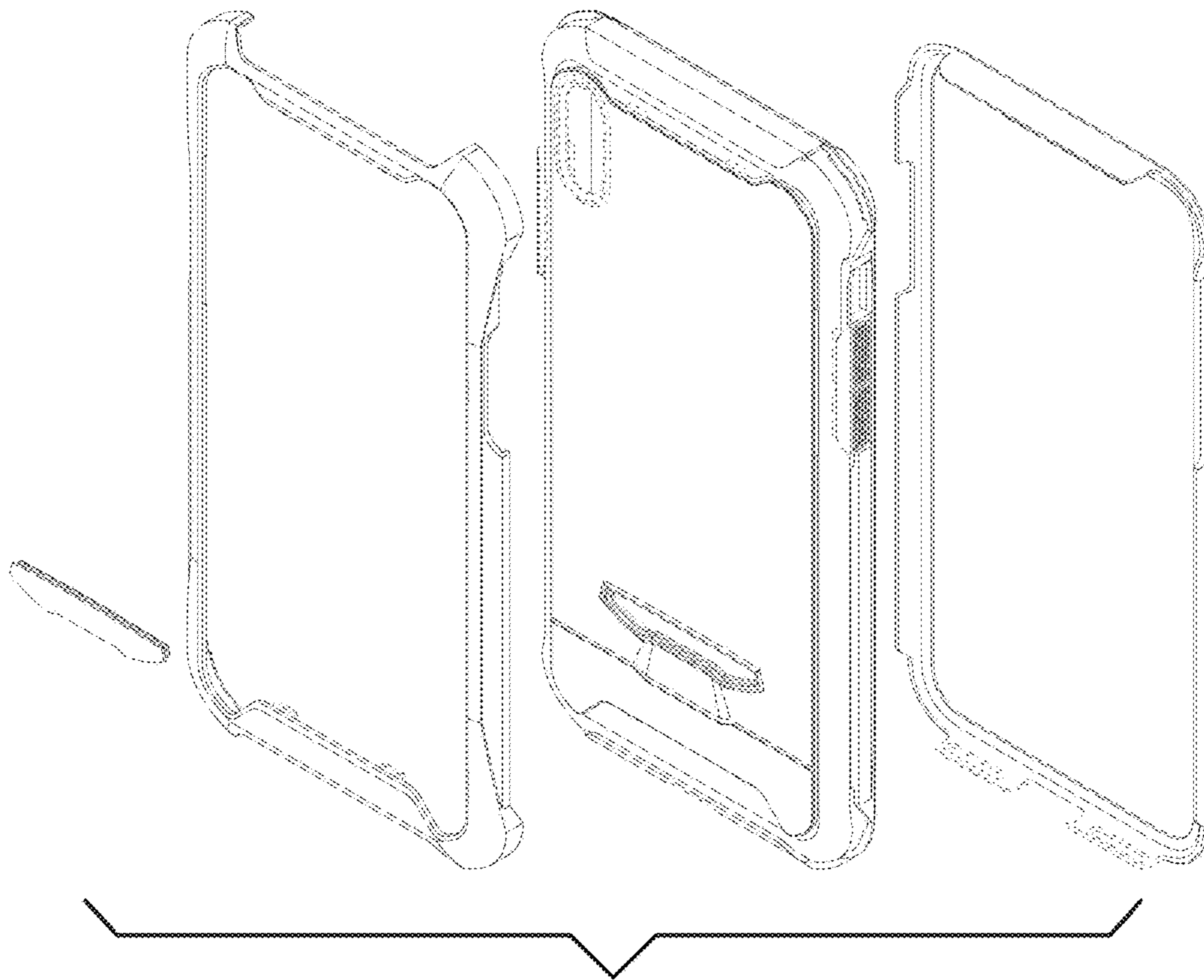


FIG. 19

