



US00D859391S

(12) **United States Design Patent** (10) **Patent No.:** **US D859,391 S**  
**Yun** (45) **Date of Patent:** **\*\* \*Sep. 10, 2019**

(54) **CASE FOR ELECTRONIC COMMUNICATIONS DEVICE**

(71) Applicant: **SPIGEN KOREA CO., LTD.**, Seoul (KR)

(72) Inventor: **Sun Woo Yun**, Seoul (KR)

(73) Assignee: **SPIGEN KOREA CO., LTD.**, Seoul (KR)

(\*) Notice: This patent is subject to a terminal disclaimer.

(\*\*) Term: **15 Years**

(21) Appl. No.: **29/623,140**

(22) Filed: **Oct. 23, 2017**

(51) **LOC (12) Cl.** ..... **14-03**

(52) **U.S. Cl.**  
 USPC ..... **D14/250**

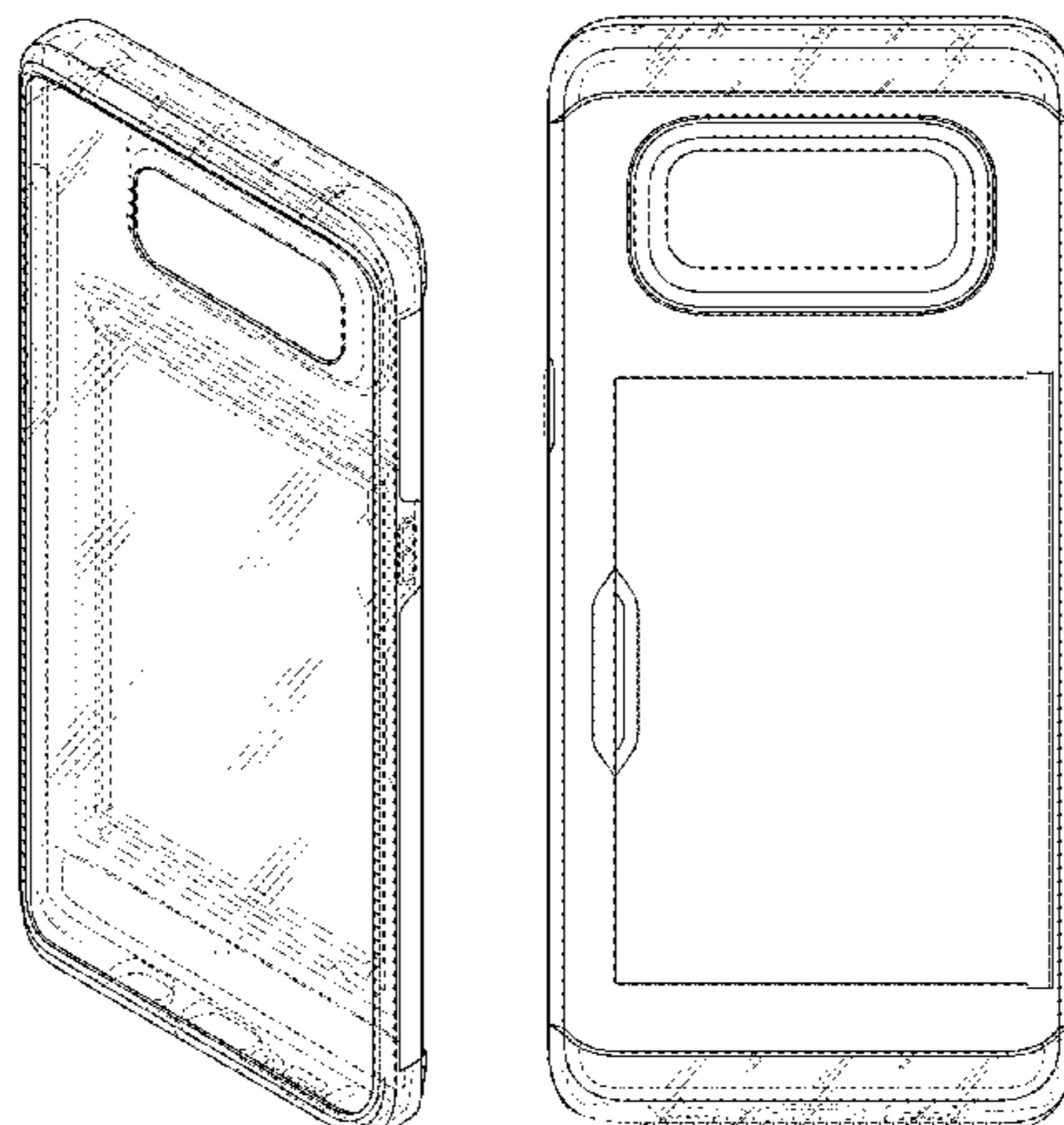
(58) **Field of Classification Search**  
 USPC ..... D14/248, 439, 203.3–203.7, 447, 238.1, D14/440, 251–253, 217, 240, 250; D3/201, 218, 247, 269, 273, 301, 303; D13/103, 107–108, 119  
 CPC ..... H04B 1/3888; H04M 1/0283; H04M 1/0202; A45C 1/06; A45C 2011/002; A45C 11/00; A45C 13/02; A45F 2005/026; A45F 2200/0525; A45F 2200/0516  
 See application file for complete search history.

D685,779 S \* 7/2013 Schriefer ..... D14/250  
 8,504,127 B2 8/2013 Altschul et al.  
 8,517,172 B1 8/2013 Chang  
 D691,124 S \* 10/2013 Yang ..... D14/250  
 D705,764 S \* 5/2014 Thoni ..... D14/250  
 8,726,952 B2 5/2014 Jambunathan et al.  
 D707,965 S 7/2014 Requa  
 D712,891 S \* 9/2014 Fathollahi ..... D14/250  
 D716,045 S 10/2014 Requa  
 8,971,975 B2 3/2015 Ramies et al.  
 9,049,283 B1 6/2015 Kim  
 D741,845 S 10/2015 Kim  
 D743,931 S 11/2015 Hubbard et al.  
 D746,805 S 1/2016 Kim  
 9,241,551 B2 1/2016 Lawson et al.  
 D749,068 S 2/2016 Zaborski et al.  
 D749,557 S 2/2016 Feng  
 D753,099 S 4/2016 Kim  
 D756,911 S 5/2016 Gupta et al.  
 D759,966 S 6/2016 Pignotti  
 D763,842 S 8/2016 Chang et al.  
 D765,069 S \* 8/2016 Jeffrey ..... D14/250  
 D765,635 S 9/2016 Chang et al.  
 D765,638 S 9/2016 Gaylord et al.  
 D765,640 S 9/2016 Bulkley et al.  
 D765,641 S 9/2016 Bulkley et al.  
 D776,101 S \* 1/2017 Poon ..... D14/250  
 D776,646 S \* 1/2017 Deng ..... D14/250  
 D780,164 S 2/2017 Lee  
 D780,166 S \* 2/2017 Lin ..... D14/250  
 D781,835 S 3/2017 Kim et al.  
 D786,852 S \* 5/2017 Kim ..... D14/250  
 D788,093 S 5/2017 Lee et al.  
 9,661,116 B1 \* 5/2017 Chung ..... A45C 11/00  
 9,675,150 B2 \* 6/2017 Kim ..... A45C 11/182  
 D797,715 S \* 9/2017 Kim ..... D14/250  
 D798,286 S 9/2017 Roberts et al.  
 D800,714 S 10/2017 Lee et al.  
 D801,323 S 10/2017 Kim  
 2014/0051488 A1 \* 2/2014 Chung ..... H04M 1/0279  
 455/575.8  
 2014/0370946 A1 \* 12/2014 Daniell ..... H04M 1/0283  
 455/575.8  
 2015/0141082 A1 \* 5/2015 Ehrlich ..... H04B 1/3888  
 455/575.1  
 2015/0244407 A1 \* 8/2015 Peral ..... H04B 1/3888  
 455/575.8  
 2015/0365122 A1 \* 12/2015 Kim ..... H04M 1/21  
 455/575.8  
 2016/0113368 A1 \* 4/2016 Tu ..... H04B 1/3888  
 206/45.23

(56) **References Cited**

U.S. PATENT DOCUMENTS

D615,078 S \* 5/2010 Bradley ..... D14/250  
 D619,361 S 7/2010 Andre et al.  
 D624,064 S \* 9/2010 Esposito ..... D14/250  
 D631,246 S \* 1/2011 Boettner ..... D3/203.2  
 D646,265 S 10/2011 Fathollahi  
 D650,371 S 12/2011 Wibby et al.  
 D663,263 S 7/2012 Gupta et al.  
 D681,615 S 5/2013 Fathollahi  
 D682,196 S 5/2013 Leung



|              |     |         |      |       |                         |
|--------------|-----|---------|------|-------|-------------------------|
| 2016/0142522 | A1* | 5/2016  | Kim  | ..... | A45C 11/00<br>455/575.8 |
| 2016/0374443 | A1* | 12/2016 | Kim  | ..... | A45C 11/182<br>206/38   |
| 2017/0086557 | A1* | 3/2017  | Choi | ..... | A45C 15/00              |

OTHER PUBLICATIONS

Review of Spigen Slim Armor CS Case for Galaxy S7, published on Apr. 11, 2016, URL: <https://www.youtube.com/watch?v=hTvaCva30Ao>, retrieved from internet on Feb. 19, 2018.\*

“iPhone 6 Case, Verus [Damda Slide][Dark Silver]—[Wallet Card Slot][Heavy Duty Protection] for Apple iPhone 6 4.7”, <https://www.amazon.com/dp/B01EO2PE1O>, Earliest review date of May 24, 2016.

“Galaxy Note 4 Case, Verus [Damda Slide][Dark Silver]—[Wallet Card Slot][Heavy Duty Protection] for Samsung Note 4”, <https://www.amazon.com/dp/B00MJE6I0G>, Earliest review date of Oct. 18, 2014.

“Galaxy Note 5 Case, Verus [Damda Slide][Dark Silver]—[Wallet Card Slot][Heavy Duty Protection] for Samsung Note 5”, <https://www.amazon.com/dp/B00VN6E8KS>, Earliest review date of Aug. 24, 2015.

“Galaxy S6 Edge Case, Verus [Damda Slide][Dark Silver]—[Wallet Card Slot][Heavy Duty Protection] for Samsung galaxy s6 edge”, <https://www.amazon.com/dp/B00U0MDTEM>, Earliest review date of Apr. 2, 2015.

“Galaxy S6 Edge Plus Case, Verus [Damda Slide][Dark Silver]—[Wallet Card Slot][Heavy Duty Protection] for Samsung galaxy s6 plus”, <https://www.amazon.com/dp/B013F8CLK0>, Earliest review date of Aug. 29, 2015.

“iPhone 6 Plus Case, Verus [Damda Slide][Dark Silver]—[Wallet Card Slot][Heavy Duty] for Apple iPhone 6 Plus 5.5”, <https://www.amazon.com/dp/B01EO2P5H2>, Earliest review date of May 26, 2016.

“iPhone 6S Case, Verus [Damda Slide][Dark Silver]—[Wallet Card Slot][Heavy Duty Protection] for Apple iPhone 6 6s 4.7”, <https://www.amazon.com/dp/B00M9UBQ2A>, Earliest review date of Sep. 16, 2014.

“iPhone 6S Plus Case, Verus [Damda Slide][Dark Silver]—[Wallet Card Slot][Heavy Duty] for Apple iPhone 6 6s Plus 5.5”, <https://www.amazon.com/dp/B00NHZZ1ZY>, Earliest review date of Oct. 5, 2014.

“Spigen Slim Armor CS Galaxy S7 Case with Slim Dual Layer Wallet Design and Card Slot Holder for Samsung Galaxy S7 2016—Gunmetal”, <https://www.amazon.com/dp/B01AUR1HF4>, Earliest review date of Mar. 11, 2016.

“Spigen Slim Armor CS Galaxy S7 Edge Case with Slim Dual Layer Wallet Design and Card Slot Holder for Galaxy S7 Edge 2016—Gunmetal”, <https://www.amazon.com/dp/B01CTRI5VM>, Earliest review date of Apr. 22, 2016.

“Spigen Slim Armor CS Fit Dual Layer Protective Wallet Cover Case with Card Slot Holder for Apple iPhone 7 Plus—Gunmetal”, <https://www.amazon.co.uk/dp/B01GIWFLQ6>, Date first available at Amazon.co.uk of Aug. 2, 2016, Downloaded on Aug. 23, 2018.

“Galaxy S7 Edge Case Damda Glide Series”, <https://vrsdesign.com/products/damda-glide-series-galaxy-s7-edge-case>, Earliest review posted on 2016, Downloaded on Dec. 17, 2018.

“iPhone 6/6s Case Damda Glide Series”, <https://vrsdesign.com/products/damda-glide-series-2>, Earliest review posted on 2016, Downloaded on Dec. 17, 2018.

“iPhone 6 Plus/6s Plus Case Damda Glide Series”, <https://vrsdesign.com/products/iphone-6-plus-6s-plus-damda-glide-series>, Earliest review posted on 2016, Downloaded on Dec. 18, 2018.

“Spigen Slim Armor CS iPhone 6 Case with Slim Dual Layer Wallet Design and Card Slot Holder for iPhone 6S / iPhone 6—CS Gunmetal”, <https://www.amazon.com/Spigen-iPhone-Wallet-Design-Holder/dp/B00JH88JDQ>, Earliest review date of Sep. 10, 2014, Downloaded on Jan. 16, 2019.

VRS Design, “VRS Design unveils semi-automatic Damda Glide cases for the Samsung Galaxy Note 7”, <https://www.prnewswire.com/news-releases/vrs-design-unveils-semi-automatic-damda-glide->

[cases-for-the-samsung-galaxy-note-7-300299529.html](https://www.prnewswire.com/news-releases/vrs-design-unveils-semi-automatic-damda-glide-cases-for-the-samsung-galaxy-note-7-300299529.html), Published on Jul. 18, 2016, Downloaded on Dec. 18, 2018.

Jeff Springer, “Galaxy Note 7 Case Preview from VRS Design: Damda Glide Case!”, <https://www.youtube.com/watch?v=3aoPDXLbrRk>, Published on Aug. 1, 2016, Downloaded on Dec. 18, 2018.

“Spigen Slim Armor CS iPhone 7 Case/iPhone 8 Case with Slim Dual Layer Wallet Design and Card Slot Holder for Apple iPhone 7 (2016) / iPhone 8 (2017)—Gunmetal”, <https://www.amazon.com/dp/B01GIVWS2C>, Earliest review date of Aug. 29, 2016, Downloaded on Sep. 5, 2018.

“Spigen Slim Armor CS iPhone 8 Plus Case/iPhone 7 Plus Case with Slim Dual Layer Wallet Design and Card Slot Holder for Apple iPhone 8 Plus 2017 / iPhone 7 Plus (2016)—Black”, <https://www.amazon.com/dp/B01GIWVFWK>, Earliest review date of Sep. 9, 2016, Downloaded on Sep. 5, 2018.

“VRS Design Damda Glide Samsung Galaxy Note 7 Case—Blue Coral”, <https://www.mobilefun.com/vrs-design-damda-glide-samsung-galaxy-note-7-case-blue-coral-60422>, Earliest review date of Sep. 9, 2016, Downloaded on Aug. 23, 2018.

“VRS Design [Damda Glide Series] Semi Automatic Card Slot Shockproof Case Compatible with Apple iPhone 7 / 8—(Steel Silver)”, <https://www.amazon.com/dp/B01LXD3F6L>, Earliest review date of Oct. 11, 2016, Downloaded on Aug. 23, 2018.

“iPhone 7 Plus / 8 Plus Case, VRS Design [Damda Glide Series] Semi Automatic Card Slot with Military Grade Protection (Steel Silver)”, <https://www.amazon.com/DP/B01LY0IWRH>, Earliest review date of Oct. 18, 2016, Downloaded on Aug. 23, 2018.

“Galaxy S7 Case, VRS Design [Damda Glide Series] Semi Automatic Card Slot with Military Grade Protection (Satin Silver)”, <https://www.amazon.com/dp/B01LWRTPW>, Earliest review date of Nov. 8, 2016, Downloaded on Aug. 23, 2018.

\* cited by examiner

Primary Examiner — Carla J Wright

(74) Attorney, Agent, or Firm — Heedong Chae; Lucem, PC

(57)

**CLAIM**

The ornamental design for a case for electronic communications device, as shown and described.

**DESCRIPTION**

FIG. 1 is a front perspective view of a case for electronic communications device showing my new design;

FIG. 2 is a rear perspective view thereof;

FIG. 3 is a rear perspective view thereof showing the storage compartment cover in a partially opened state;

FIG. 4 is a front elevational view thereof;

FIG. 5 is a rear elevational view thereof;

FIG. 6 is a left side elevational view thereof;

FIG. 7 is a right side elevational view thereof;

FIG. 8 is a top plan view thereof;

FIG. 9 is a bottom plan view thereof;

FIG. 10 is a front perspective view of the transparent inner shell component of the case for electronic communications device shown separately for clarity of disclosure;

FIG. 11 is a rear perspective view thereof shown separately for clarity of disclosure;

FIG. 12 is a front perspective view of the opaque outer frame component of the case for electronic communications device shown separately for clarity of disclosure;

FIG. 13 is a rear perspective view thereof shown separately for clarity of disclosure;

FIG. 14 is a front perspective view of the storage compartment cover component of the case shown separately for clarity of disclosure;

FIG. 15 is a rear perspective view thereof shown separately for clarity of disclosure;

FIG. 16 is an exploded front perspective view showing the components of the case for electronic communications device shown separated for clarity of disclosure; and,

FIG. 17 is an exploded rear perspective view showing the components of the case for electronic communications device separated for clarity of disclosure.

Although the case for electronic communications device, in which the claimed design is embodied, consists of a transparent inner shell component, an opaque outer frame component, and a storage compartment cover component, the claim is directed to the ornamental appearance of the case for electronic communications device in entirety and does not extend to the ornamental appearance of each of the individual components of the case for electronic communications device.

The broken lines throughout the drawing figures depict portions of the case for electronic communications device that form no part of the claimed design. The broken lines and unshaded regions bounded by broken lines form no part of the claimed design.

**1 Claim, 17 Drawing Sheets**

FIG. 1

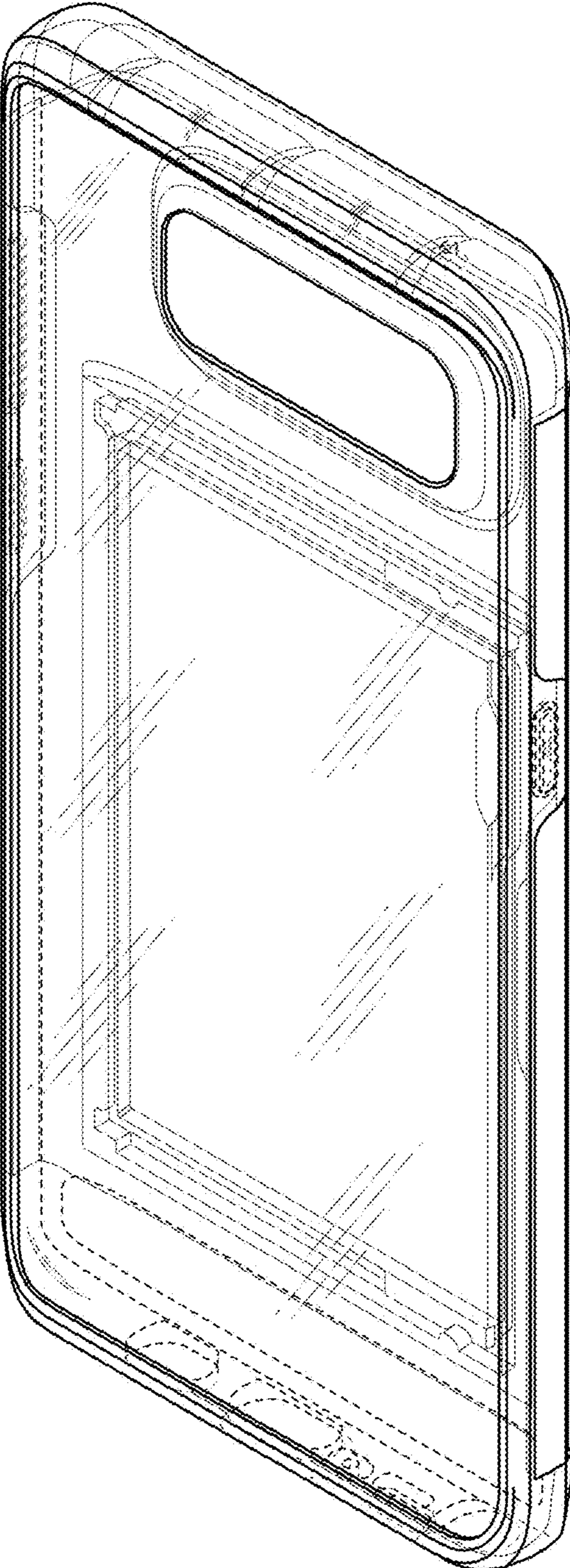


FIG. 2

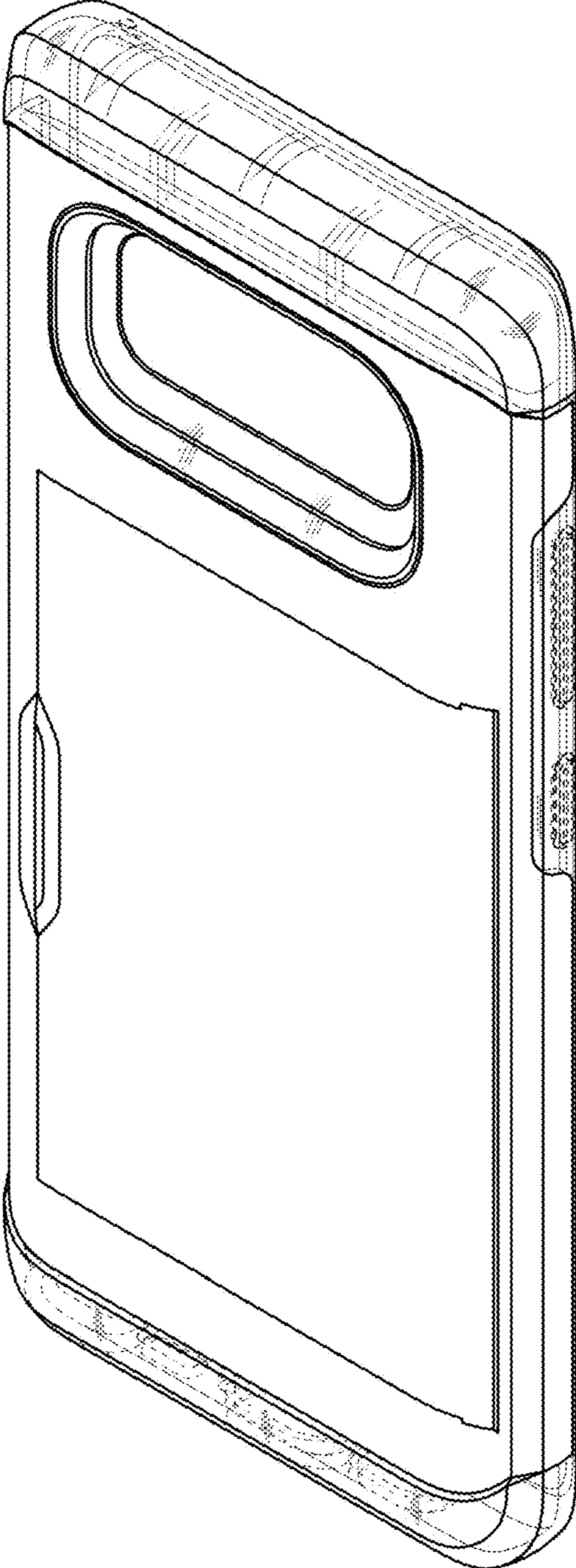


FIG. 3

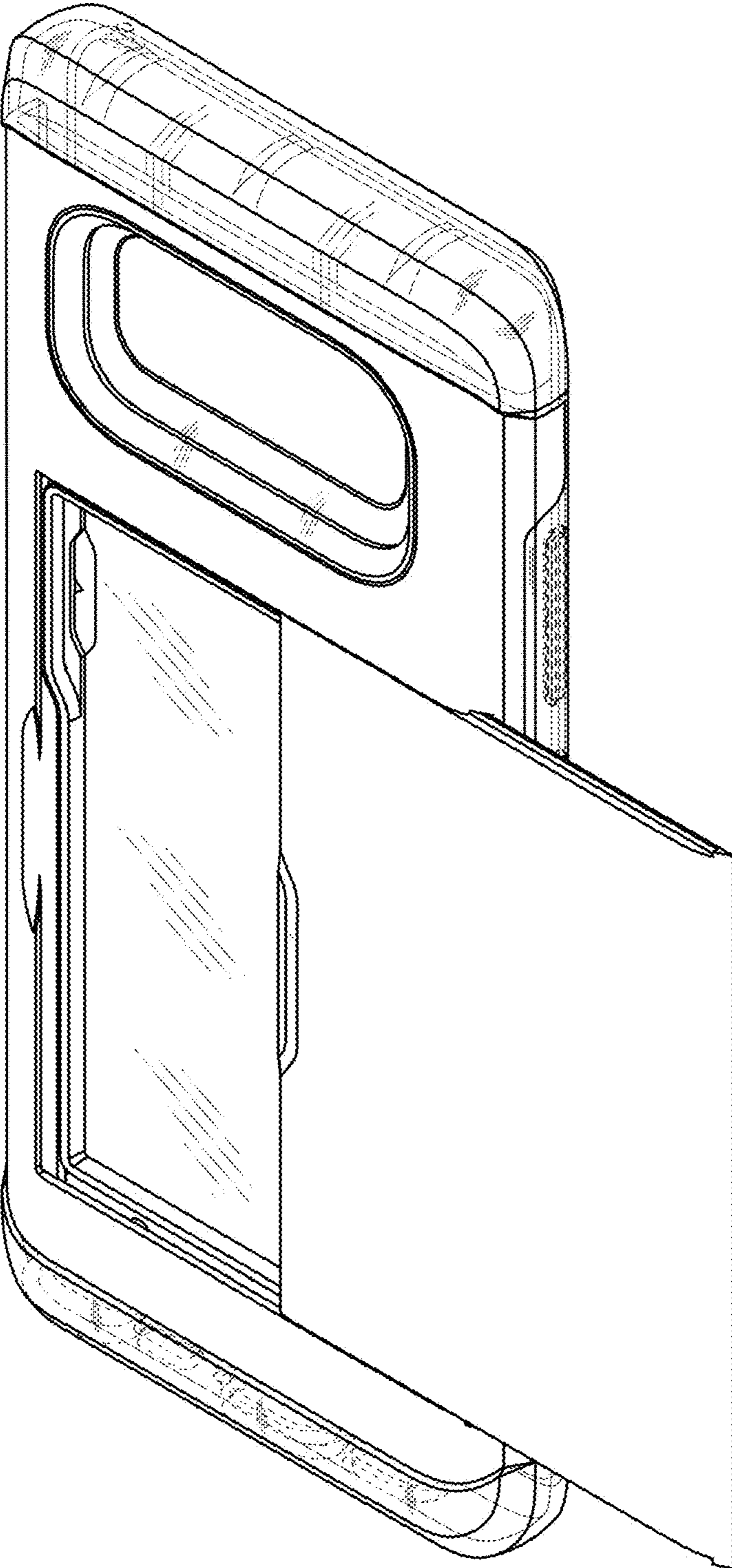


FIG. 4

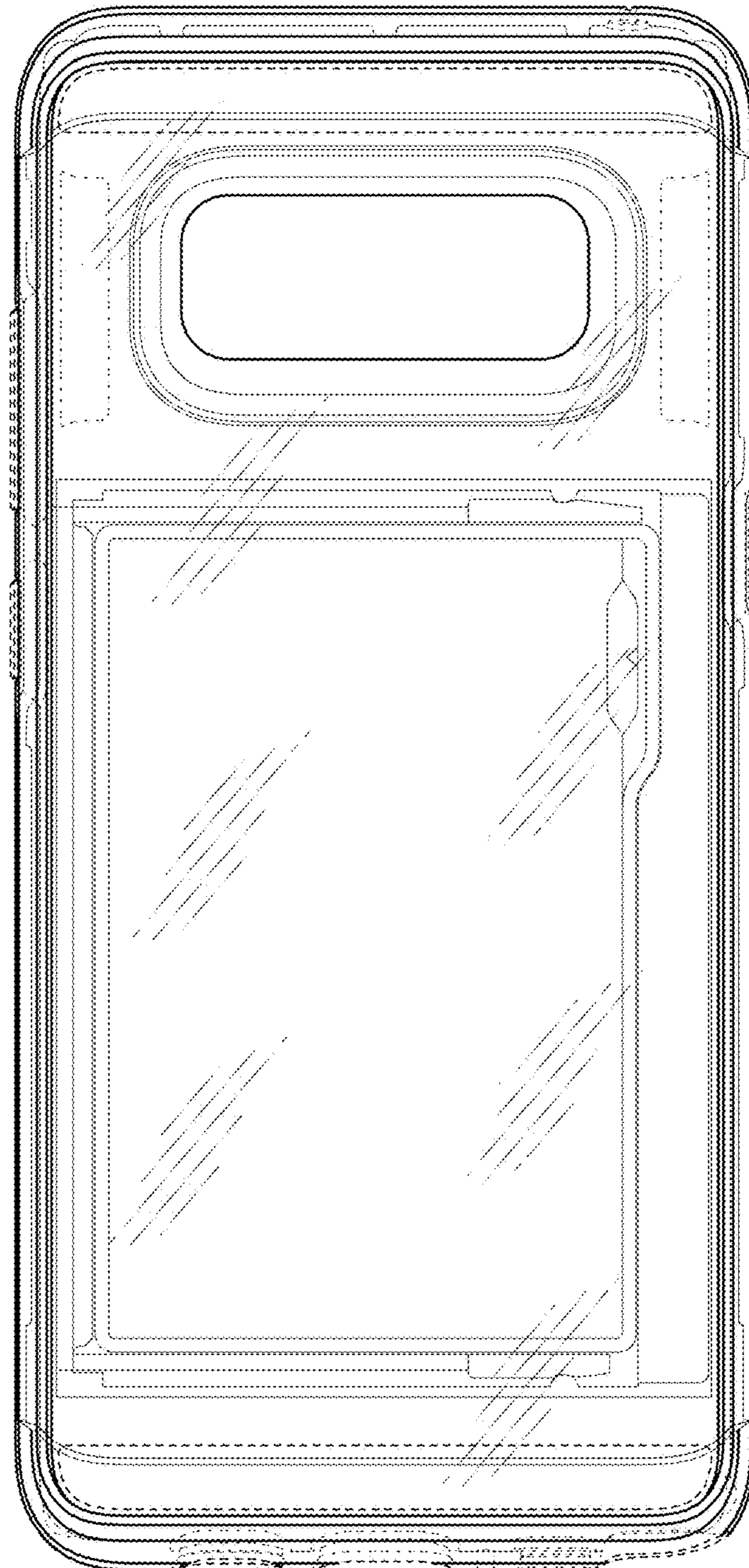


FIG. 5

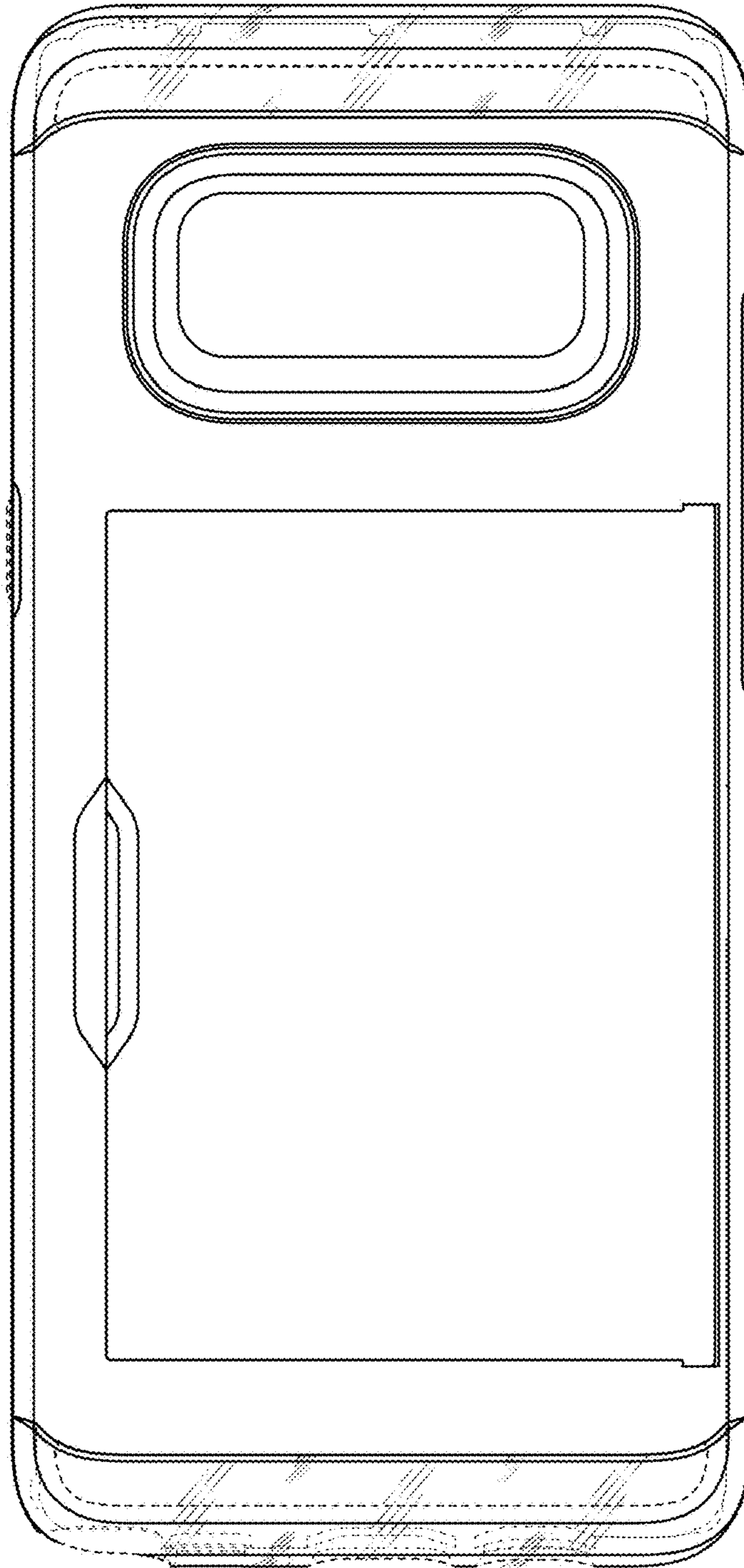




FIG. 6

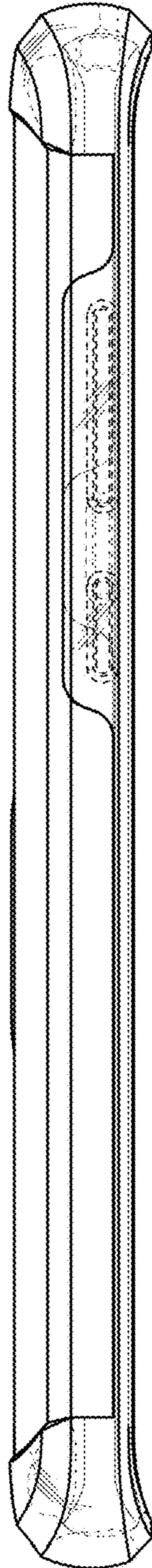


FIG. 7

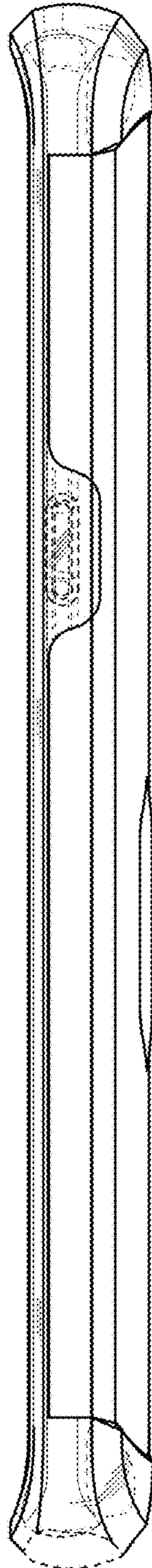


FIG. 8

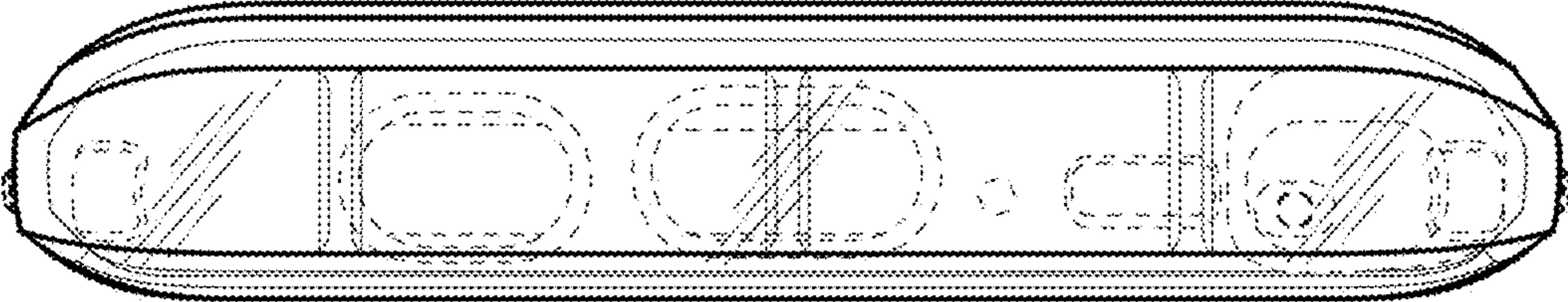


FIG. 9

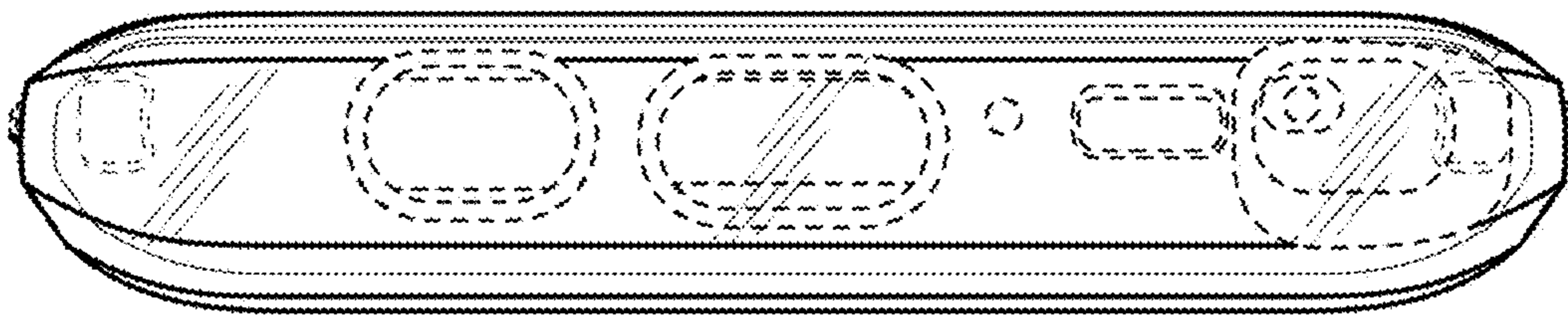


FIG. 10

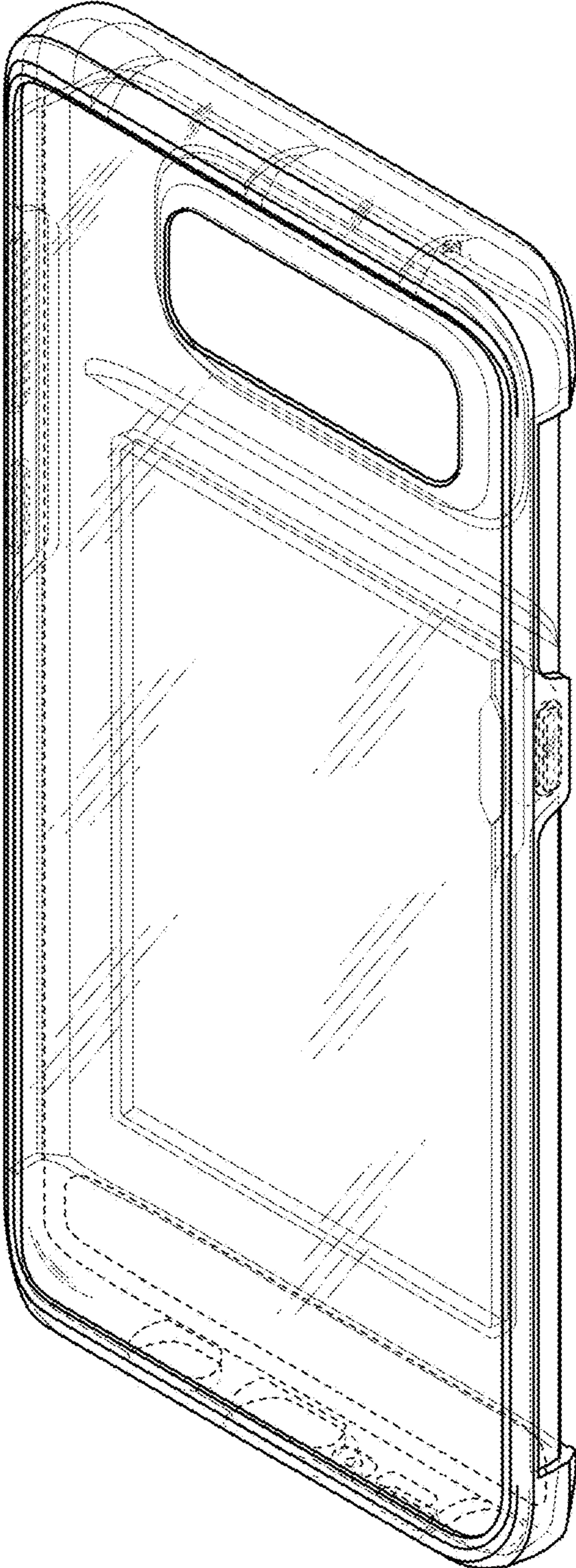


FIG. 11

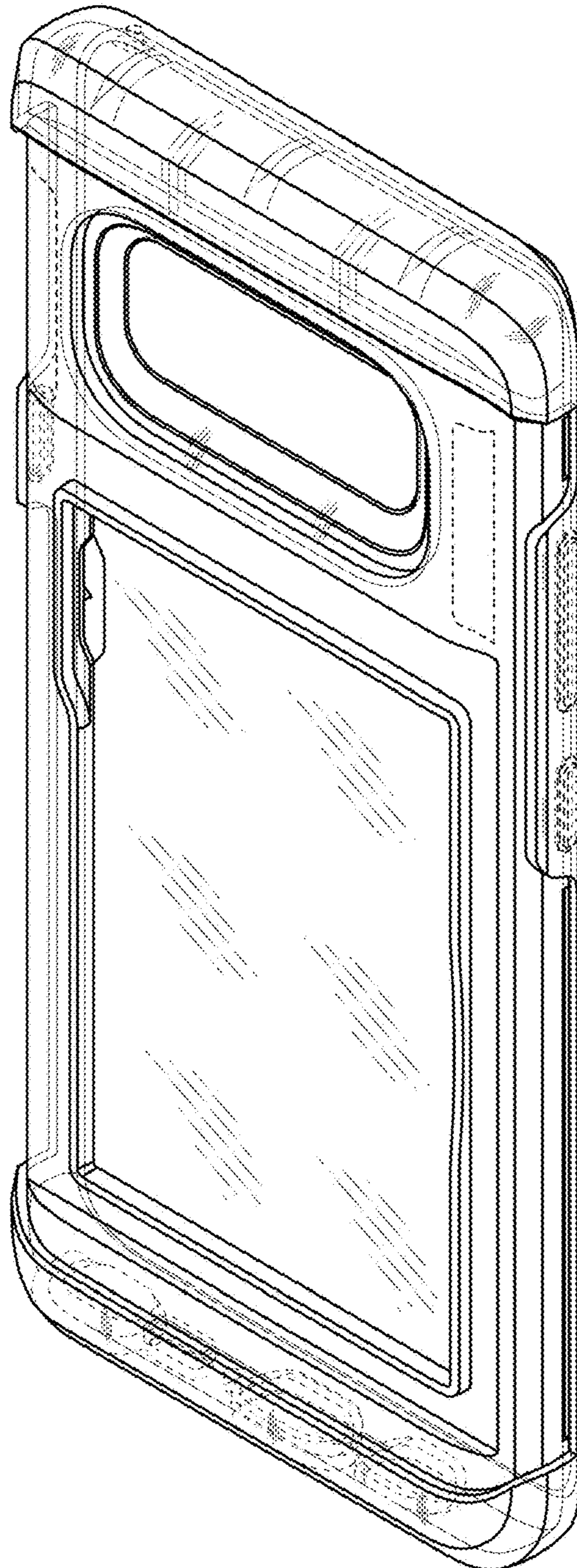


FIG. 12

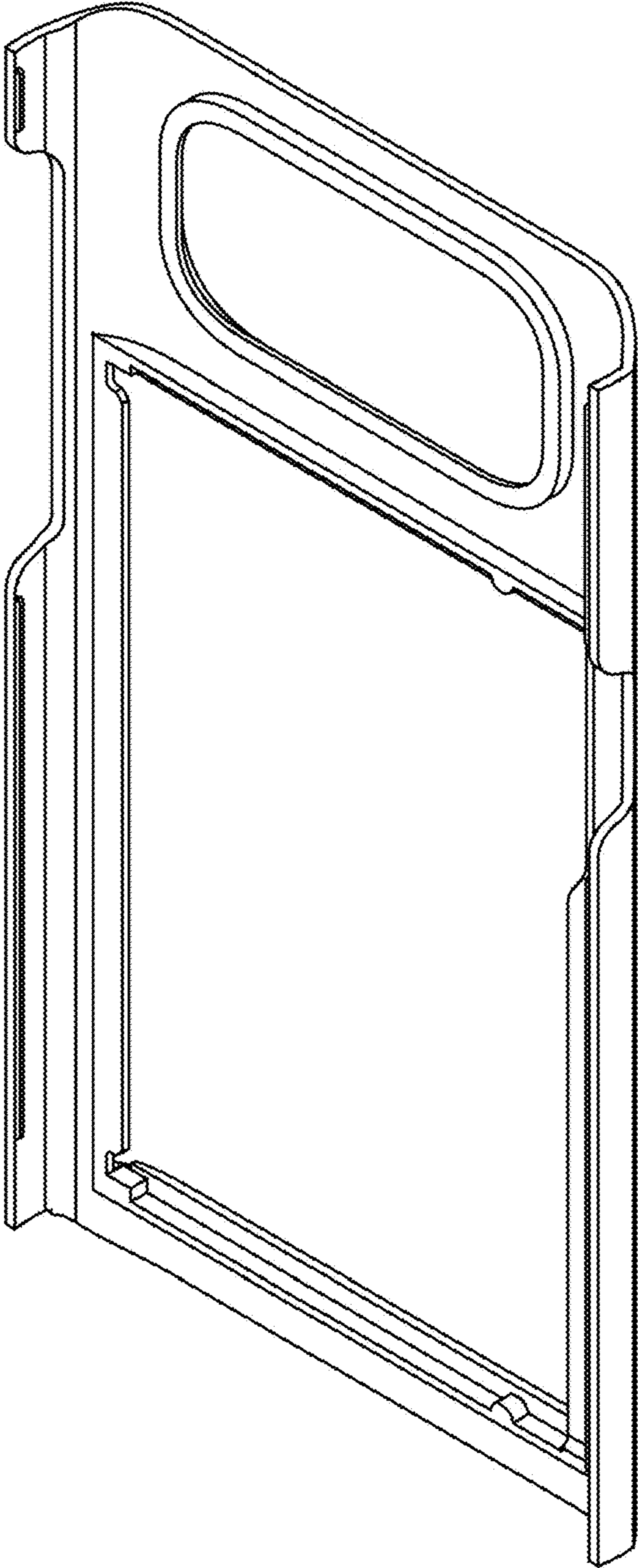


FIG. 13

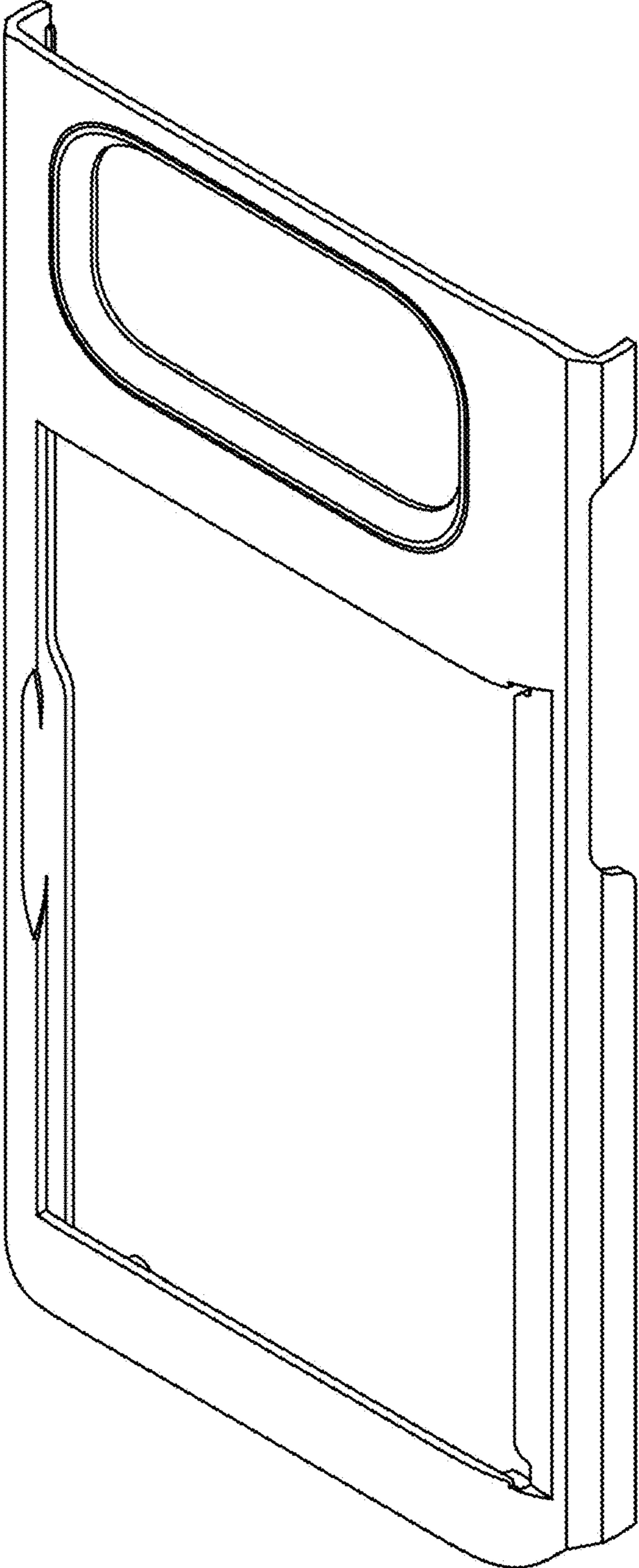




FIG. 14

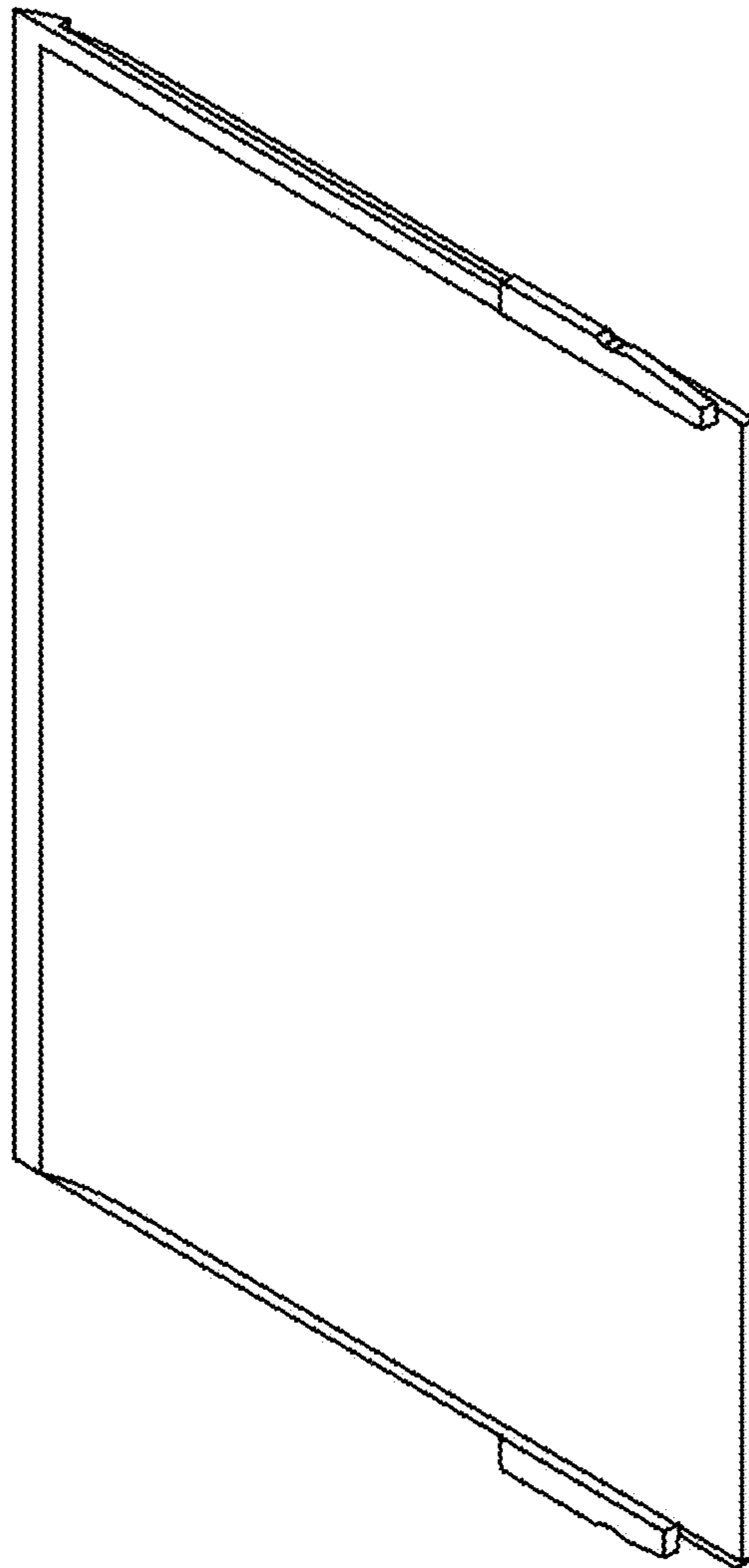


FIG. 15

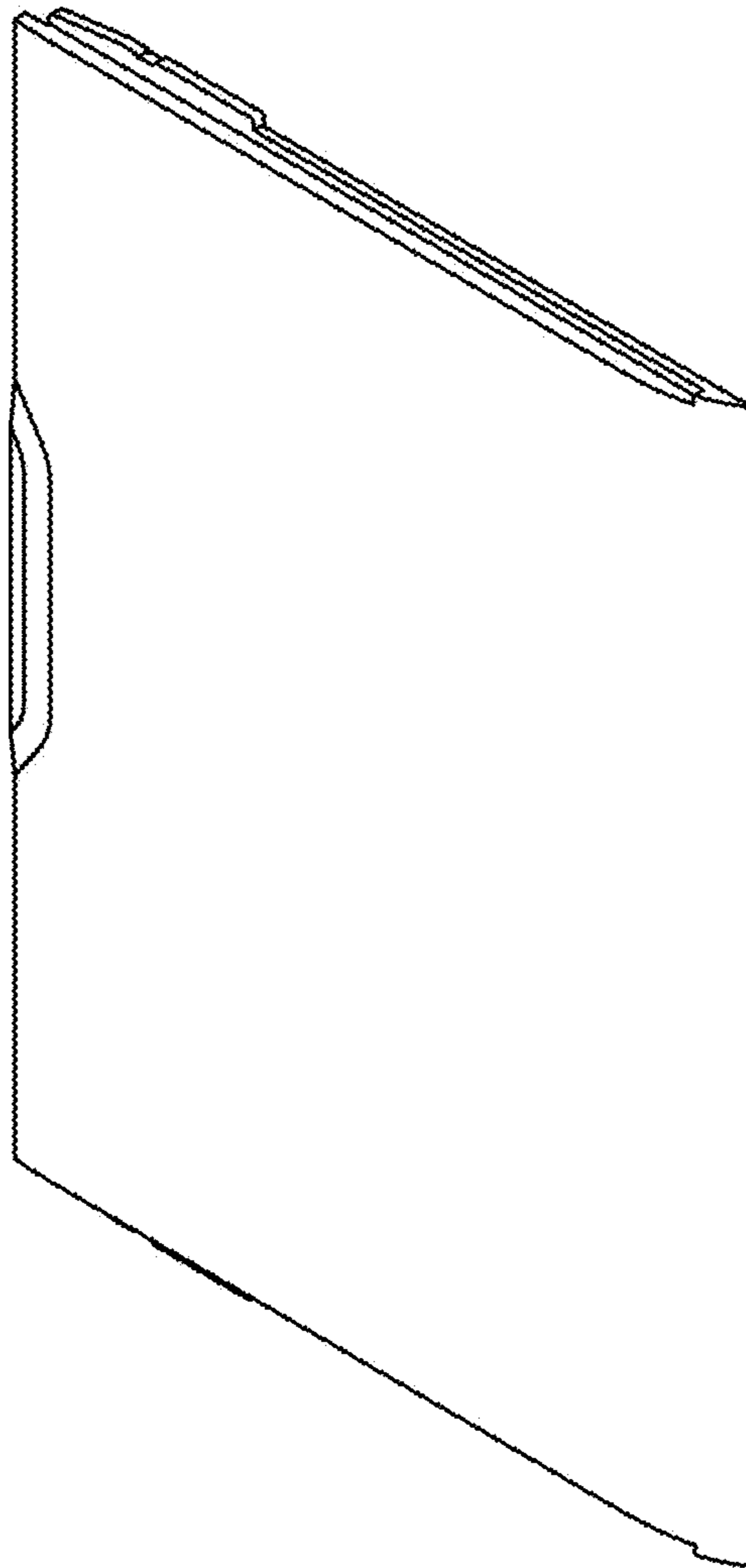


FIG. 16

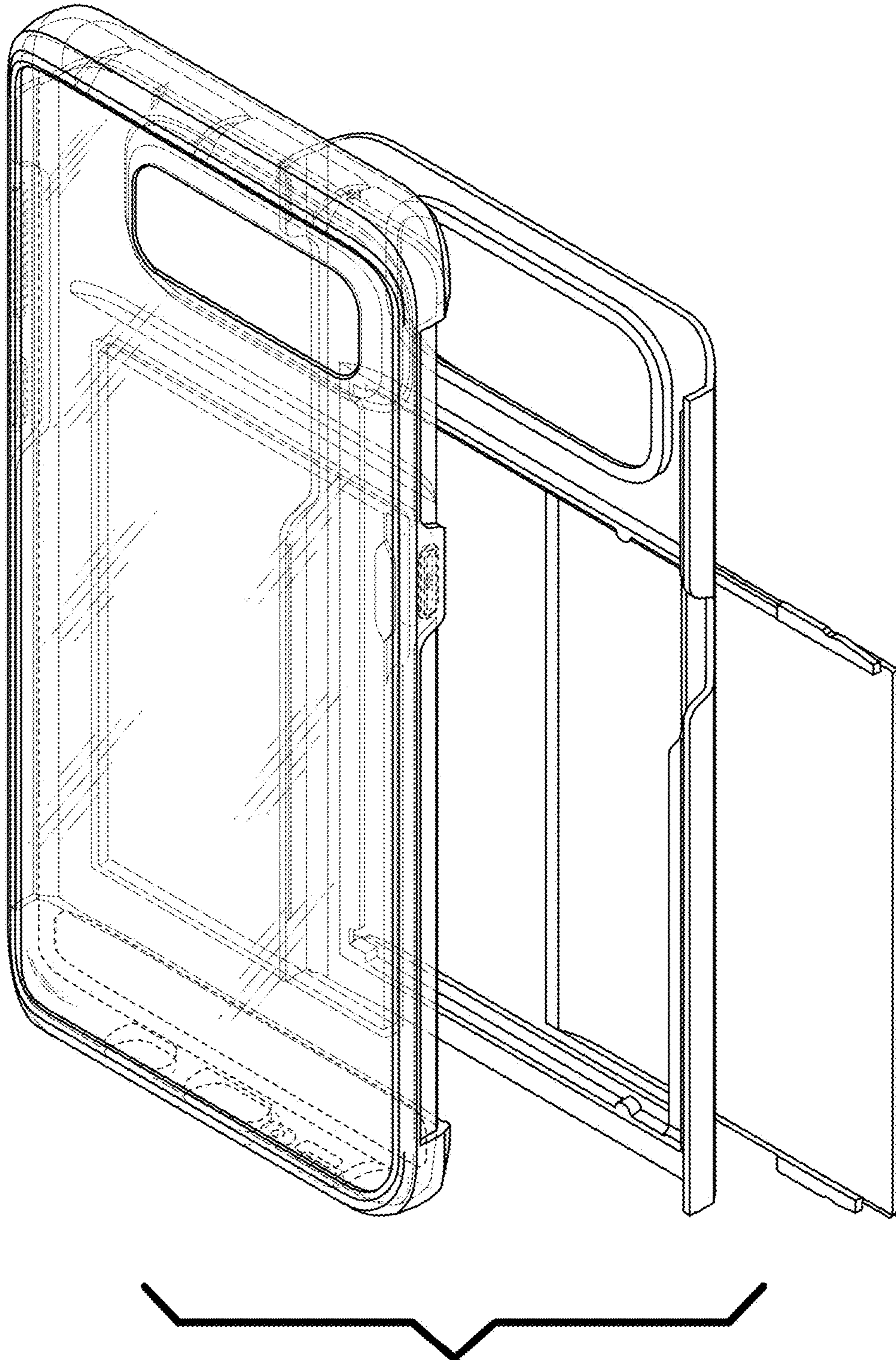


FIG. 17

