



US00D859390S

(12) **United States Design Patent** (10) **Patent No.:** **US D859,390 S**
Park et al. (45) **Date of Patent:** **** Sep. 10, 2019**

(54) **COVER FOR AN ELECTRONIC DEVICE**

(71) Applicant: **SAMSUNG ELECTRONICS CO., LTD.**, Suwon-si, Gyeonggi-do (KR)

(72) Inventors: **Byunglyul Park**, Suwon-si (KR); **Kangho Park**, Seongnam-si (KR); **Bora Han**, Seoul (KR); **Sehan Kim**, Seoul (KR); **Yoonha Paick**, Seoul (KR); **Bongkyu Song**, Seoul (KR); **Ilwoo Lee**, Seoul (KR); **Jihye Lee**, Seoul (KR)

(73) Assignee: **SAMSUNG ELECTRONICS CO., LTD.**, Gyeonggi-Do (KR)

(**) Term: **15 Years**

(21) Appl. No.: **29/614,543**

(22) Filed: **Aug. 21, 2017**

(30) **Foreign Application Priority Data**

Feb. 22, 2017 (KR) 30-2017-0008357

(51) **LOC (12) Cl.** **14-03**

(52) **U.S. Cl.**
USPC **D14/250**

(58) **Field of Classification Search**
USPC D3/201, 218, 226, 227, 247, 249, 250, D3/269, 303; D13/103, 107, 108, 119;
(Continued)

(56) **References Cited**

U.S. PATENT DOCUMENTS

D405,800 S * 2/1999 Brown D14/230
D620,247 S * 7/2010 Behar D3/218
(Continued)

OTHER PUBLICATIONS

Bkeeni two-piece iphone case, posting date Jul. 30, 2016, [site visited Dec. 13, 2018][online]<URL: <https://www.amazon.com/>

BKeeni-iPhone-Case-Compatible-Lightweight/dp/B01BUEBQRA> (Year: 2016).*

(Continued)

Primary Examiner — Susan E Krakower
Assistant Examiner — L. A. Grabenstetter
(74) *Attorney, Agent, or Firm* — Cantor Colburn LLP

(57) **CLAIM**

The ornamental design for a cover for an electronic device, as shown and described.

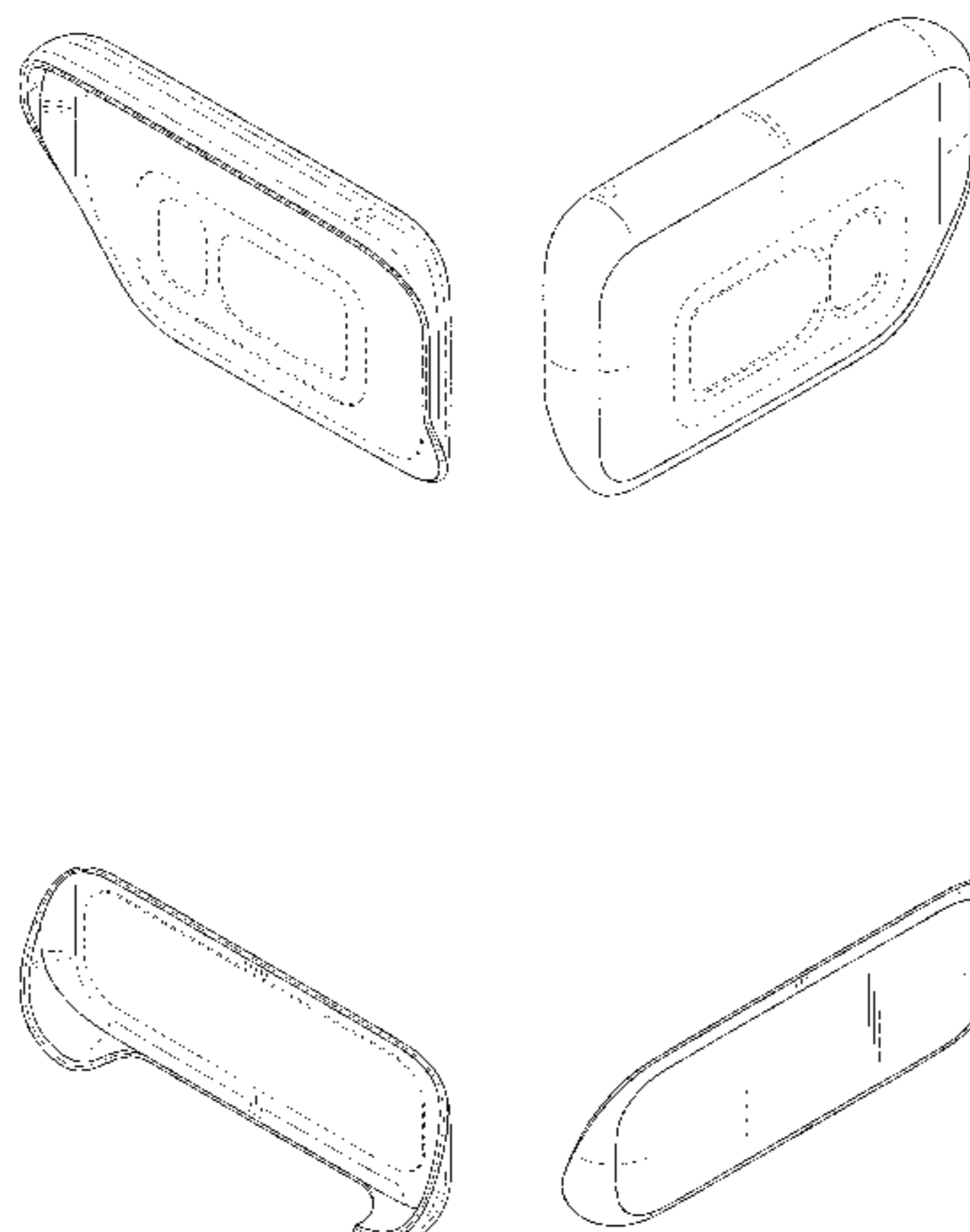
DESCRIPTION

FIG. 1 is a top, front perspective view of a cover for an electronic device showing our new design;
FIG. 2 is a front view thereof;
FIG. 3 is a rear view thereof;
FIG. 4 is a left-side view thereof;
FIG. 5 is a right-side view thereof;
FIG. 6 is a top view thereof;
FIG. 7 is a bottom view thereof;
FIG. 8 is a top, rear perspective view thereof;
FIG. 9 is bottom, front perspective view thereof;
FIG. 10 is a top view of the lower cover portion of the cover for an electronic device, shown in isolation for clarity;
FIG. 11 is a bottom view of the upper cover of the cover for an electronic device, shown in isolation for clarity; and,
FIG. 12 is a second top, front perspective view thereof, showing an example of the cover for an electronic device in a state of use.

Although the cover for an electronic device in which the claimed design is embodied consists of an upper cover and a lower cover, the claim is directed to the ornamental appearance of the cover for an electronic device in its entirety and does not extend to the ornamental appearance of each of the individual components of the cover for an electronic device in isolation.

The broken lines, and unshaded regions bounded by the broken lines, which illustrate portions of the cover for an electronic device form no part of the claimed design. The

(Continued)



broken lines depicting an electronic device in FIG. 12 represent unclaimed environmental subject matter.

1 Claim, 10 Drawing Sheets

(58) **Field of Classification Search**

USPC D14/137, 138 R, 138 AA, 138 C, 138 G,
D14/172, 192, 203.3–203.7, 217, 238.1,
D14/247, 248, 250–253, 440, 447
CPC H04B 1/3888; H04M 1/0283; H04M
1/0202; A45C 1/06; A45C 2011/002;
A45C 11/00; A45F 2005/028; A45F
2200/0525

See application file for complete search history.

(56) **References Cited**

U.S. PATENT DOCUMENTS

D623,652 S * 9/2010 Hsu D14/218
D626,744 S * 11/2010 Roman D14/240
D679,693 S * 4/2013 Rashid D14/250
D691,991 S * 10/2013 Mohan D14/250
D693,819 S * 11/2013 Cocquyt D14/439
D707,231 S * 6/2014 Sirichai D14/447
D707,233 S * 6/2014 Sirichai D14/447

D713,395 S * 9/2014 Godycki D14/250
D716,044 S * 10/2014 Wilk D3/247
D718,757 S 12/2014 Jaffee
D718,758 S 12/2014 Jaffee
D721,691 S * 1/2015 Kim D14/250
D721,692 S * 1/2015 Kim D14/250
D732,544 S * 6/2015 Sirichai D14/447
D749,839 S * 2/2016 Fairbrother D3/218
D768,611 S * 10/2016 Moriuchi D14/250
D769,854 S * 10/2016 Duval D14/250
D775,618 S * 1/2017 Kim D14/250
D786,854 S * 5/2017 Kim D14/250
2010/0294908 A1 * 11/2010 Mish A47B 23/043
248/451

OTHER PUBLICATIONS

Samsung S8+ Alcantara and 2 piece cover, posting date Apr. 24, 2017, [site visited Dec. 13, 2018][online]<URL: <https://forums.androidcentral.com/samsung-galaxy-s8-and-s8-plus/793162-samsung-s8-plus-alcantara-2-piece-cover-experience-pics.html>> (Year: 2017).
Air Plastic PC Hard Back Case for Xiaomi Mi5 M5: Amazon.co.uk: Camera & Photo [online]. p. 1-3 [retrieved on Feb. 6, 2017]. Retrieved from the Internet: <URL: <https://www.amazon.co.uk/Detachable-Vandot-Shock-Absorbing-Protective-Pattern-Black/dp/B01IR758HM>>.

* cited by examiner

FIG.1

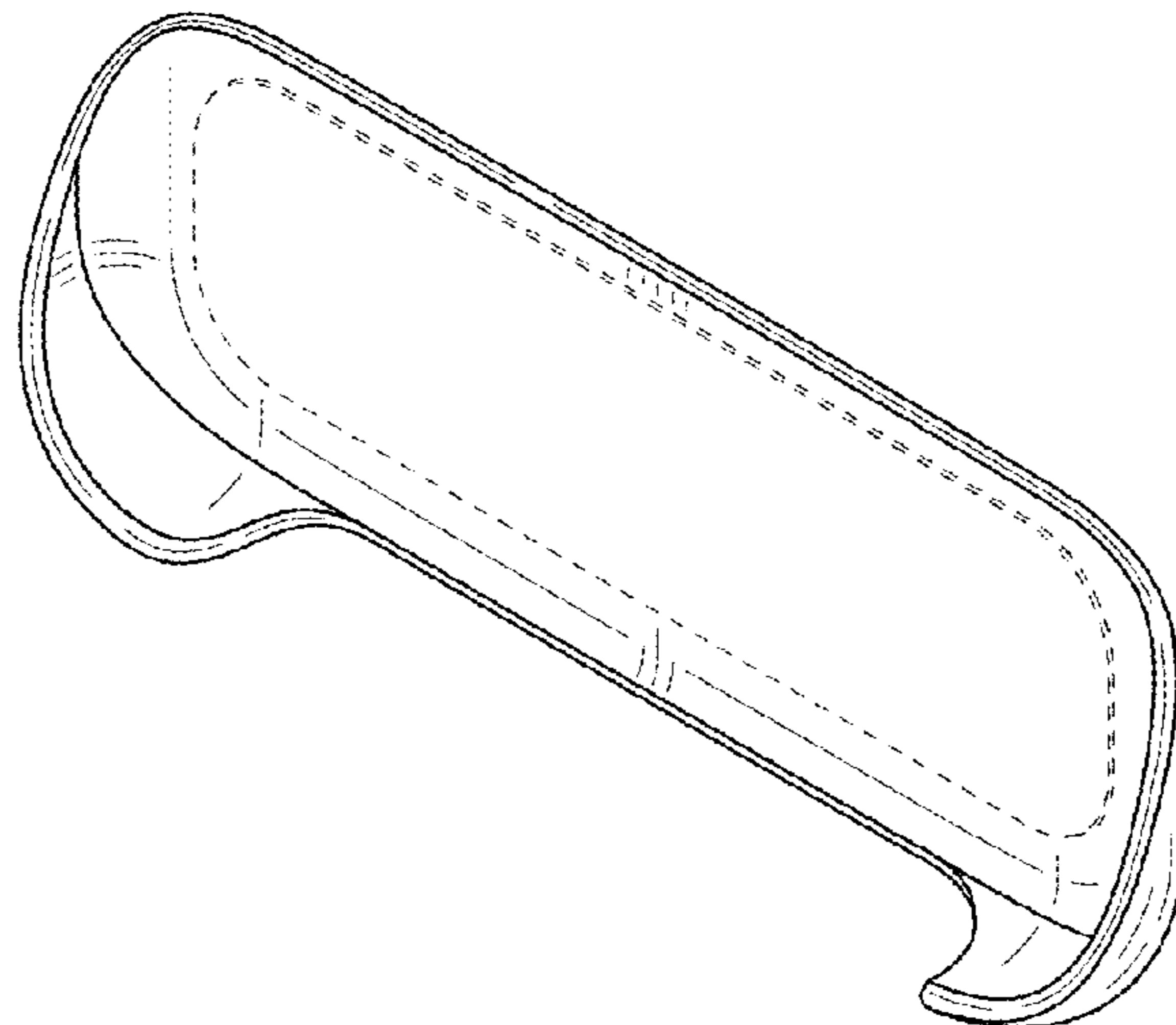
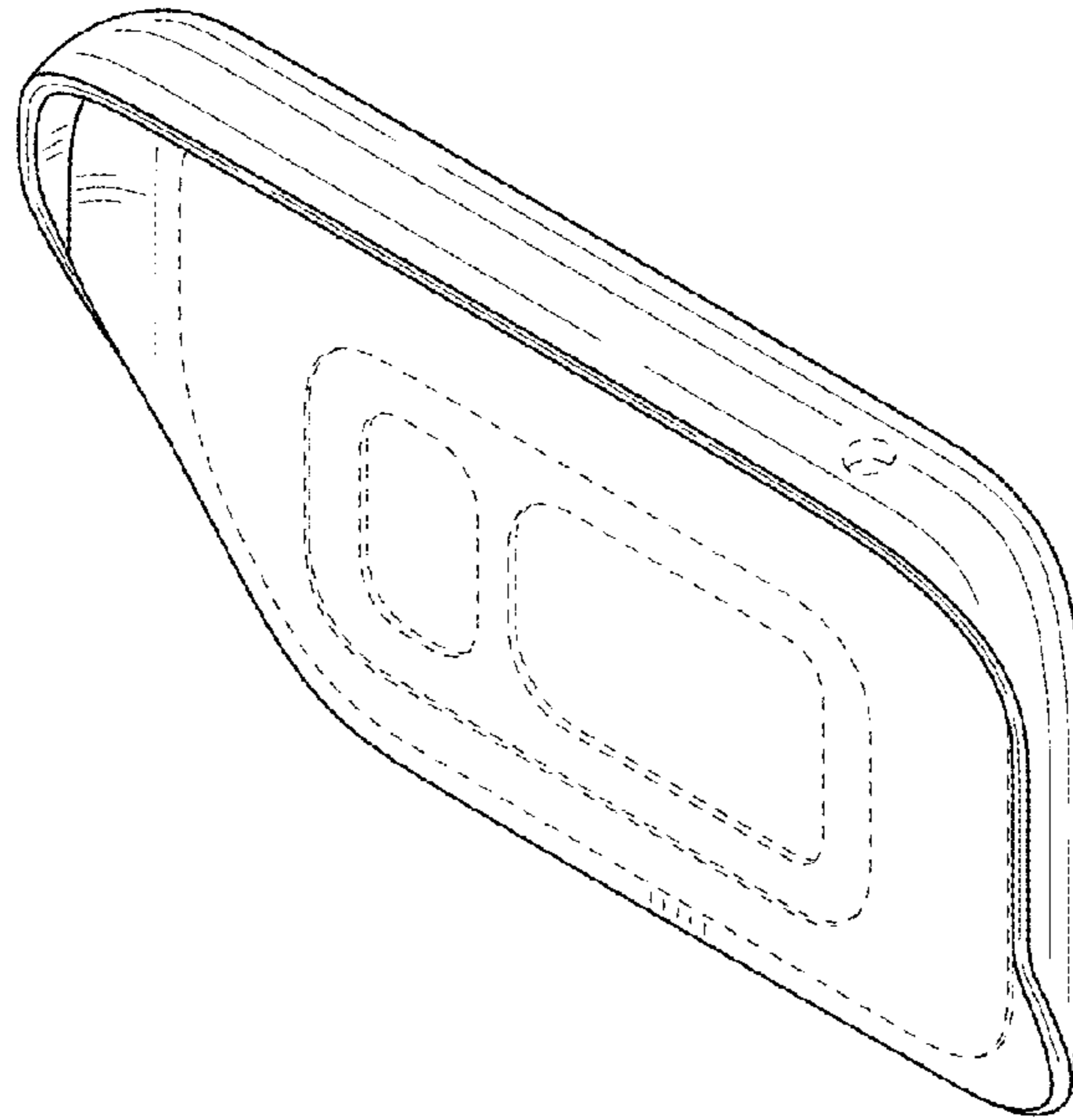


FIG.2

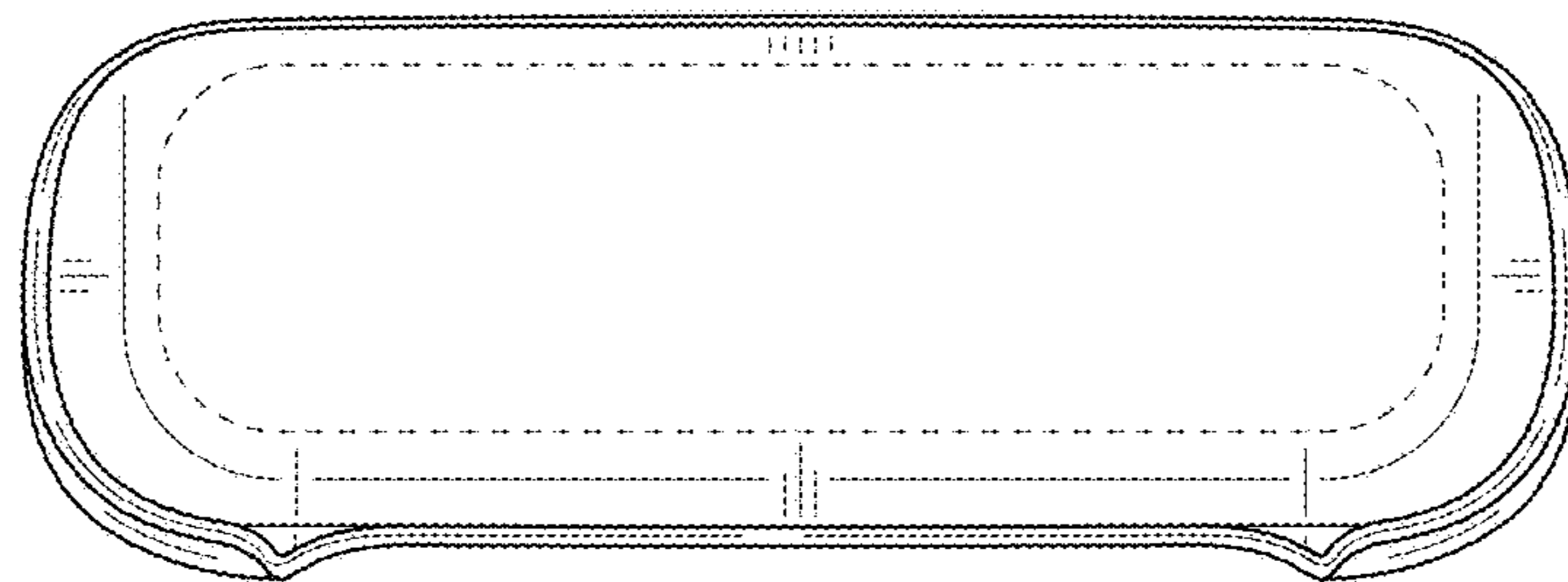
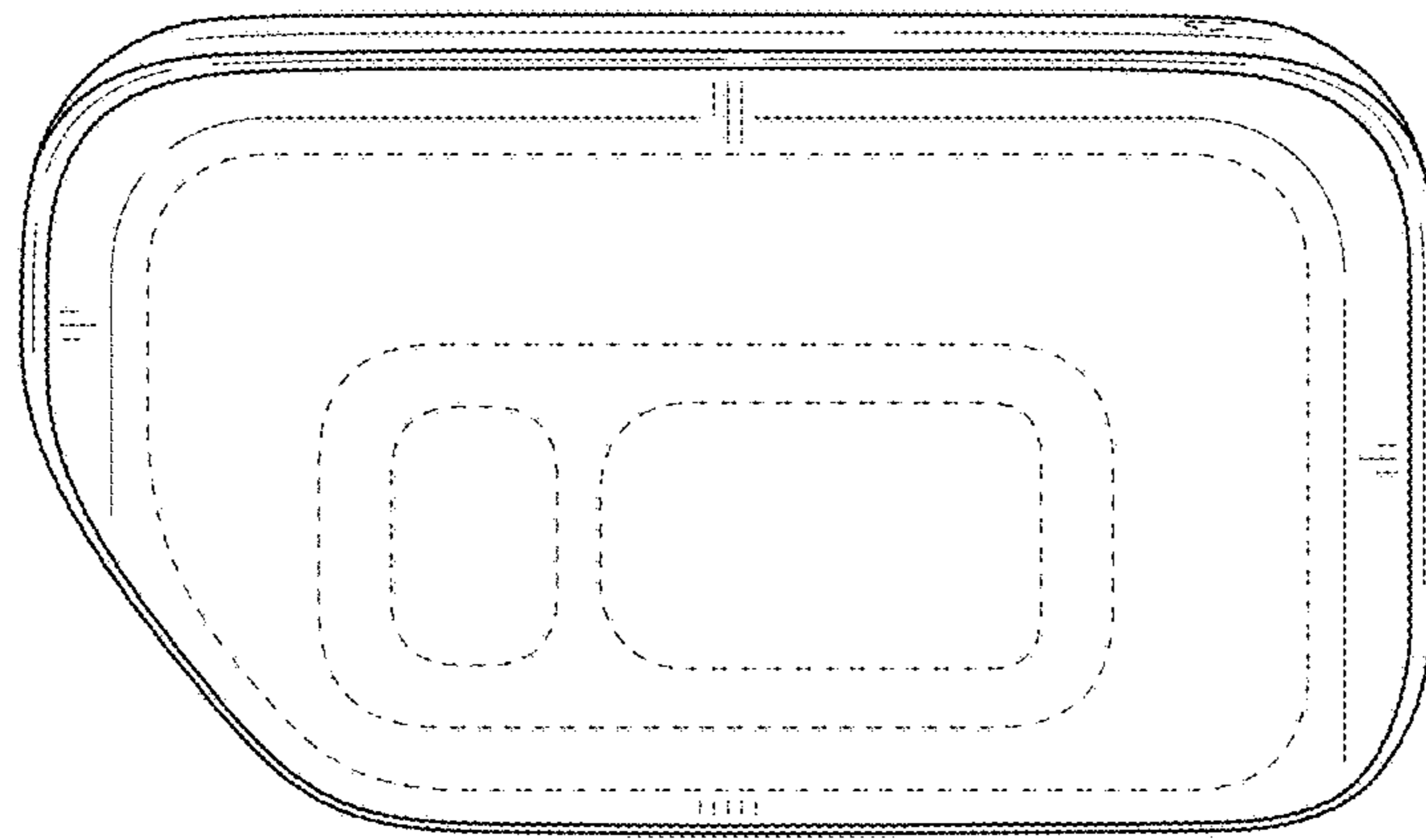


FIG.3

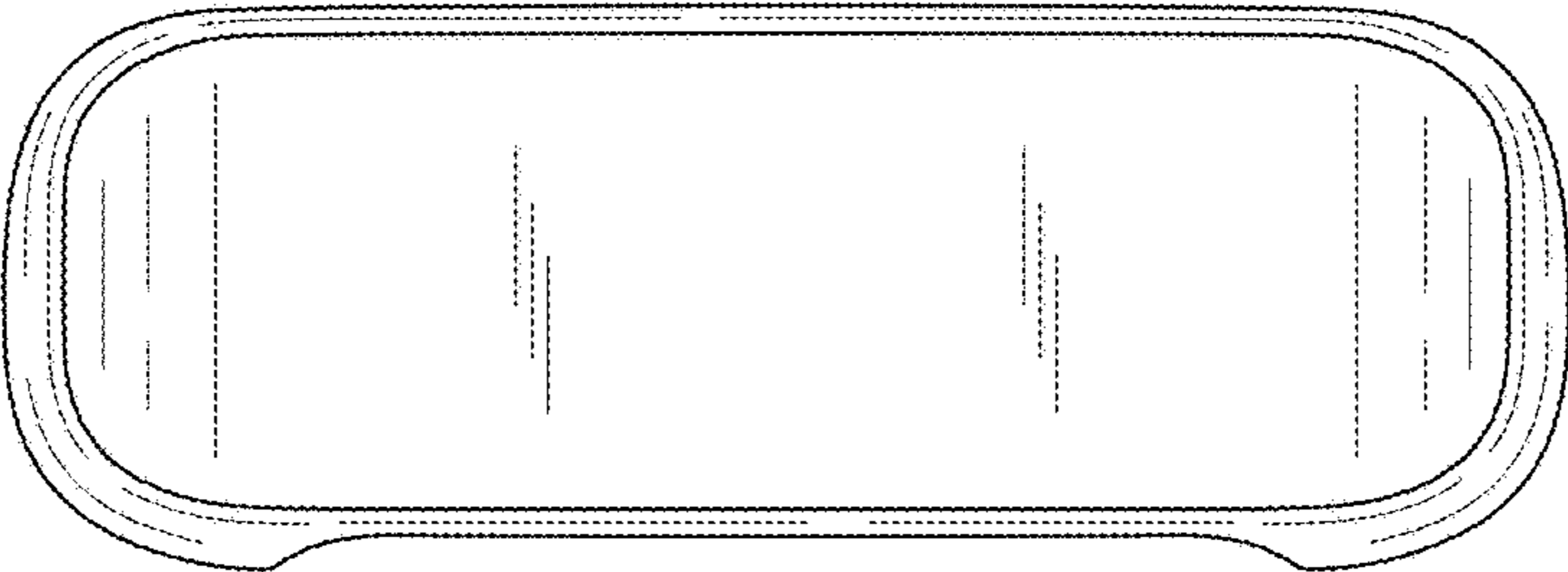
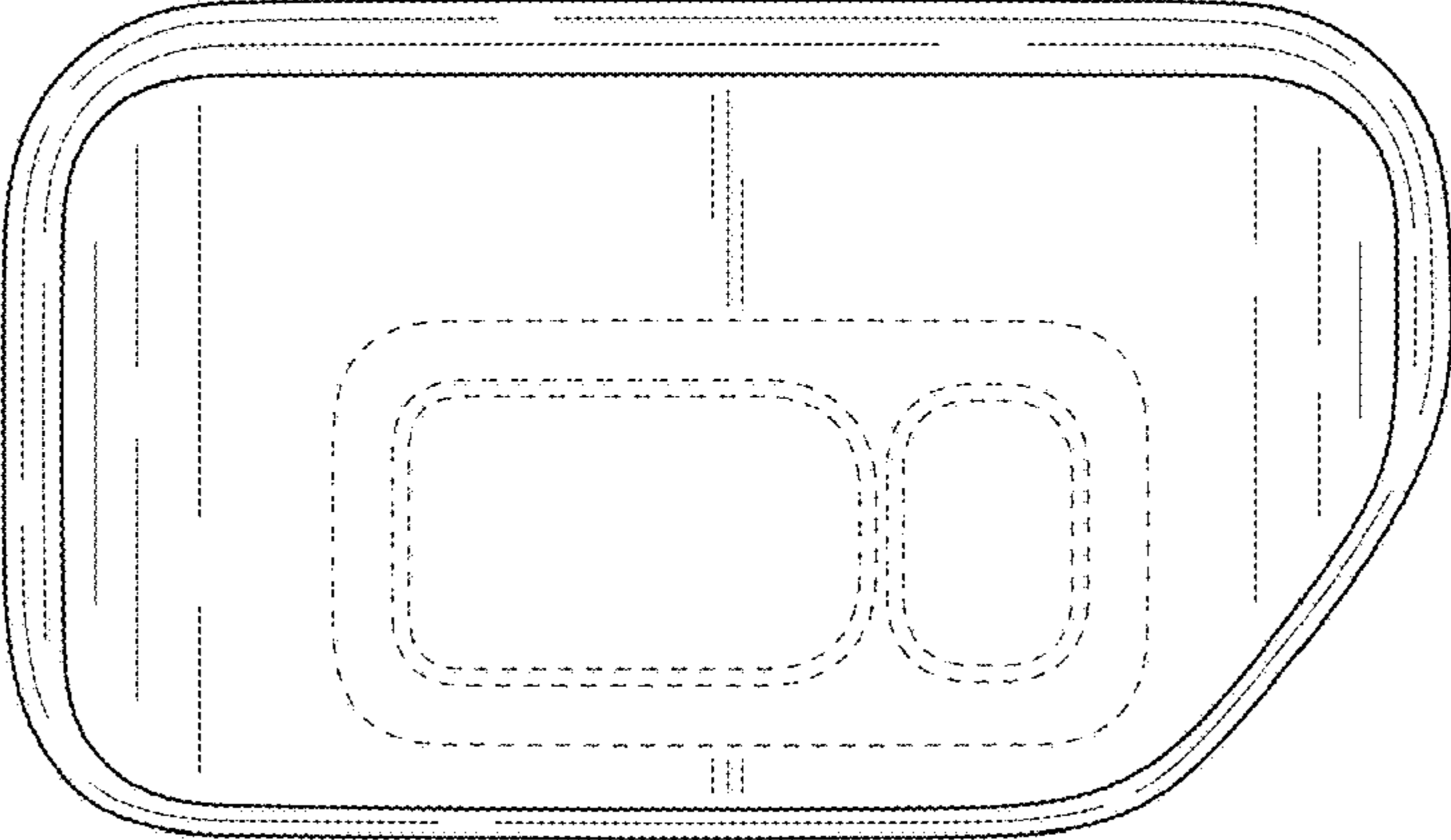


FIG.4

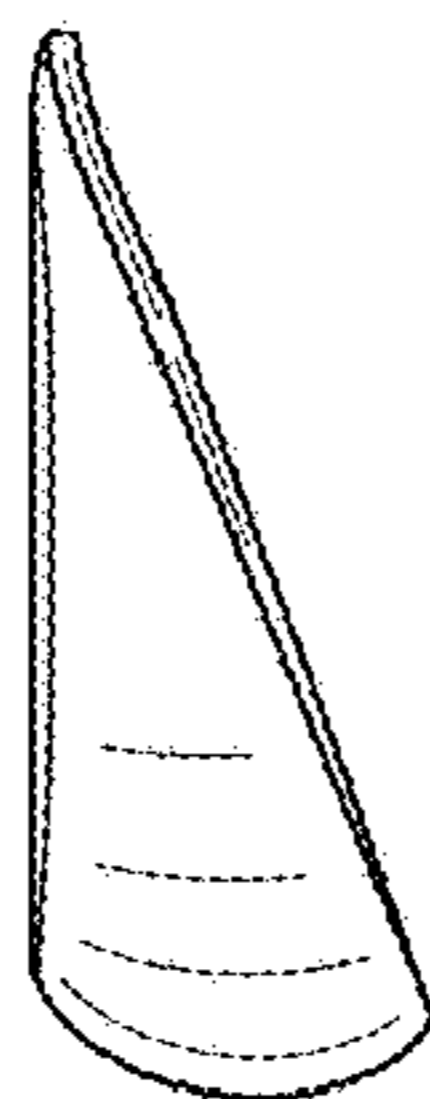
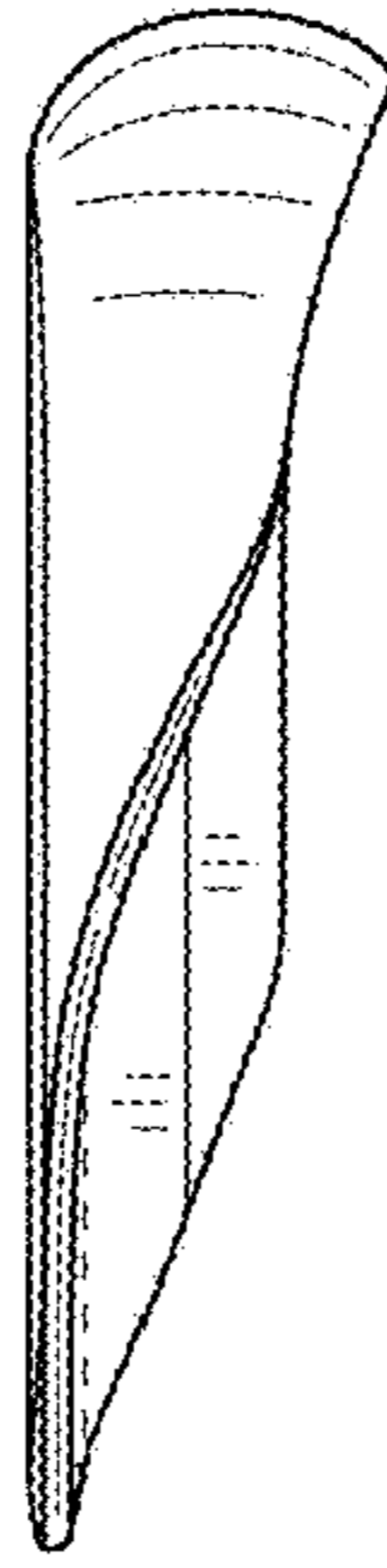


FIG.5

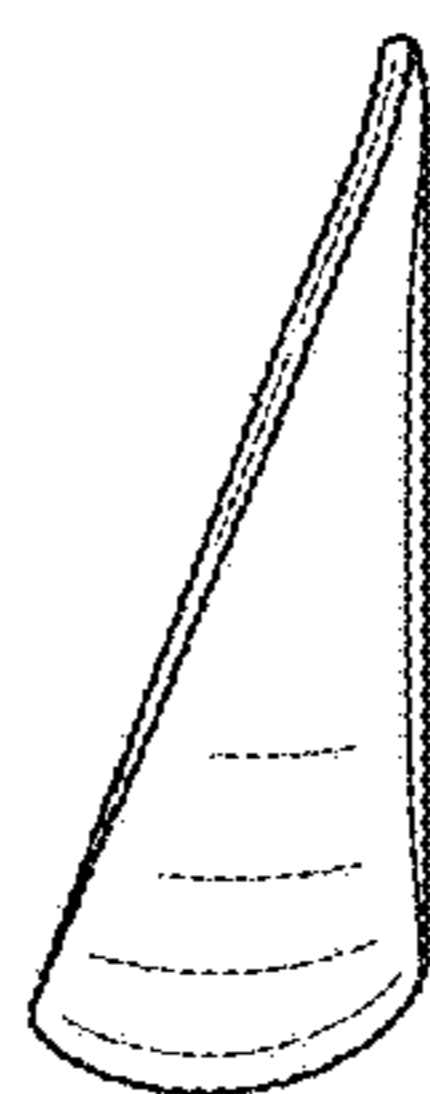
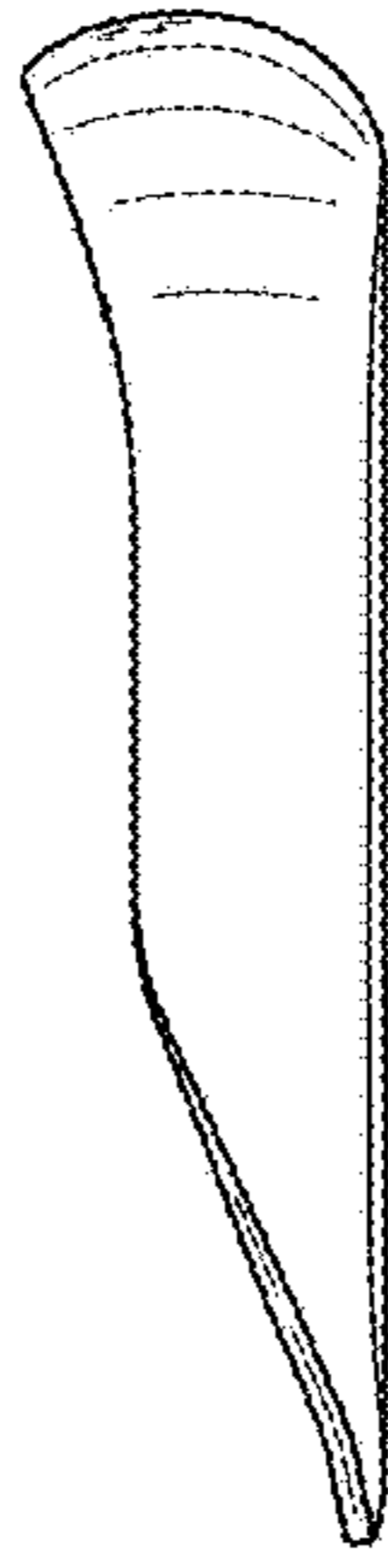


FIG.6

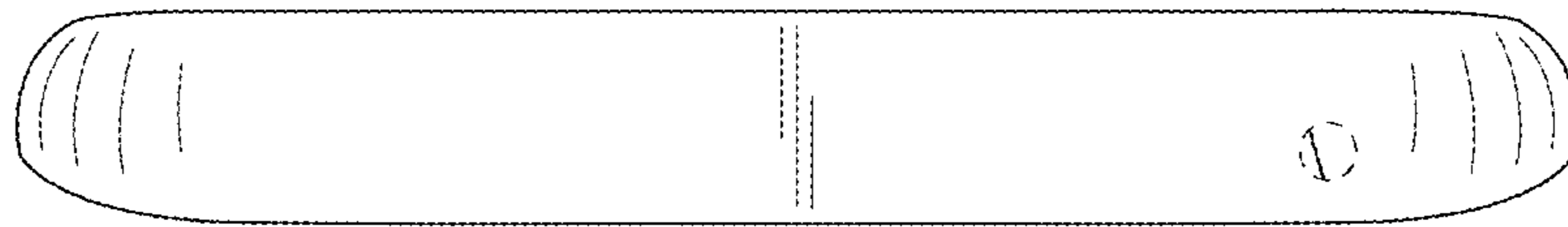


FIG.7

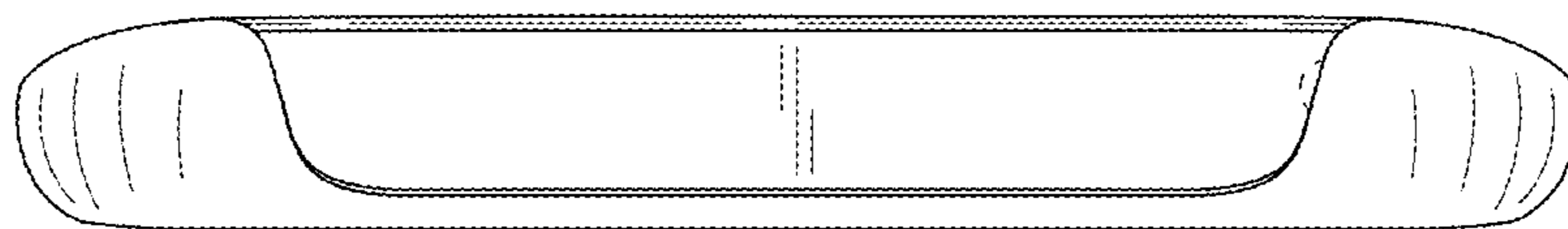


FIG.8

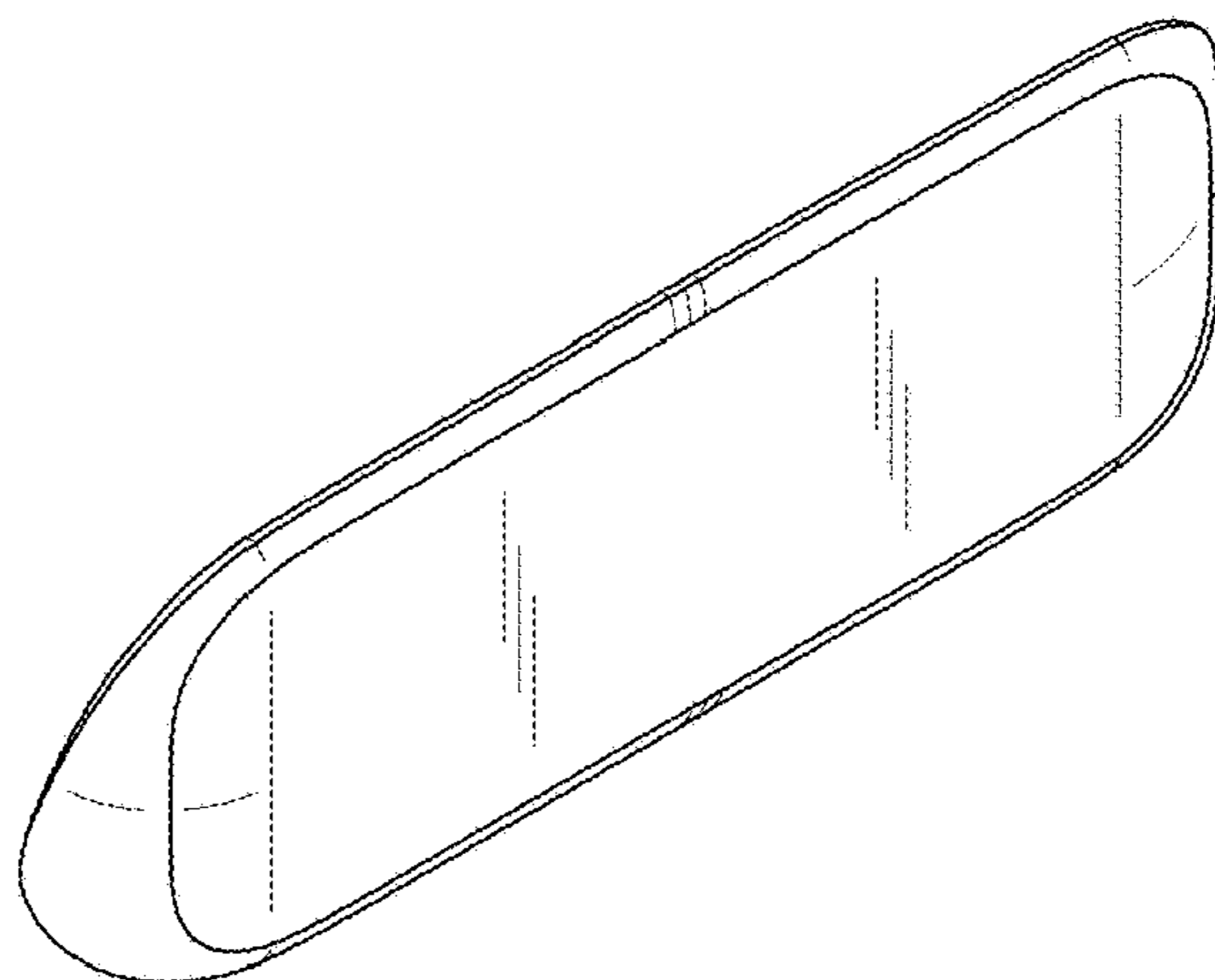
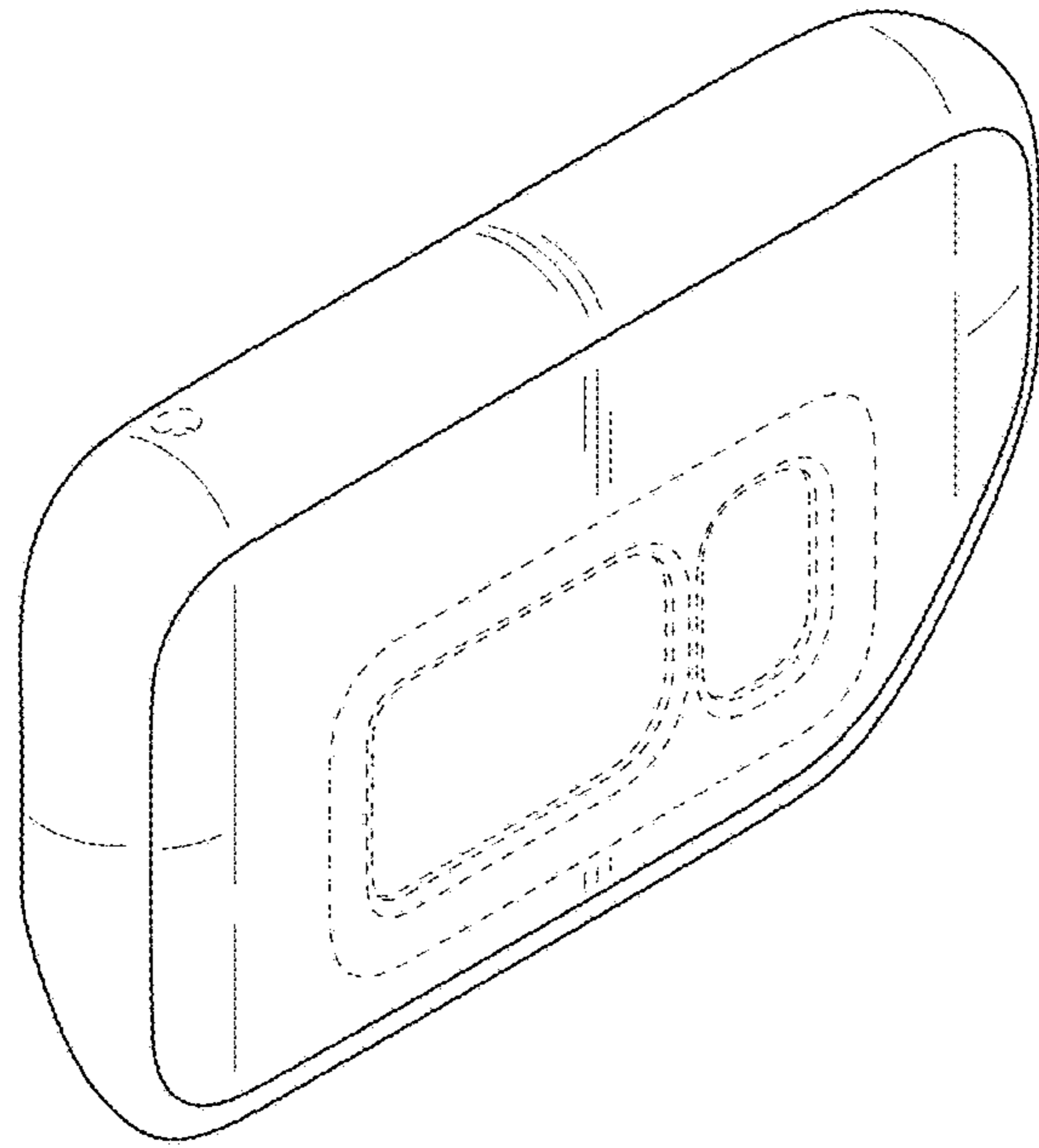


FIG.9

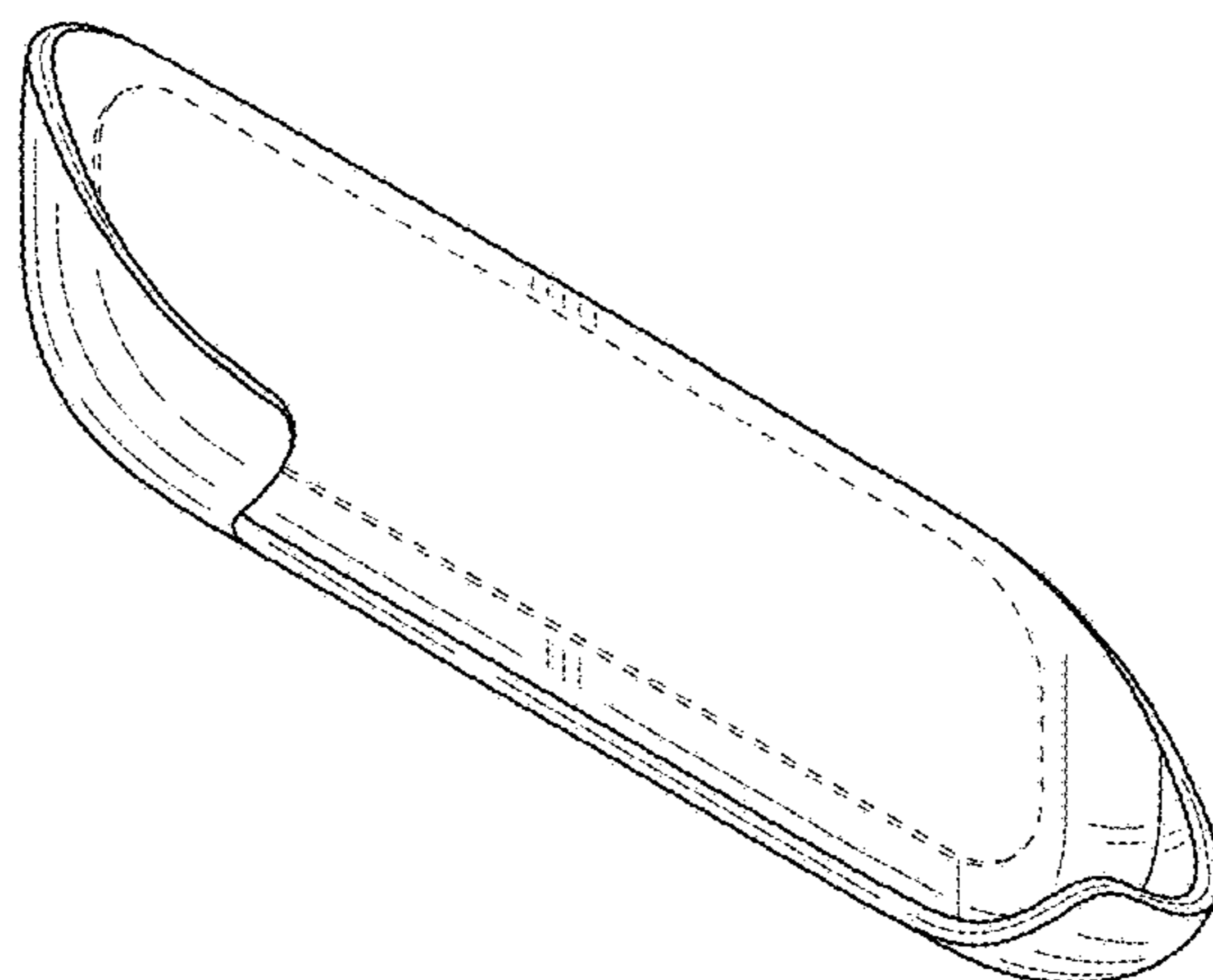
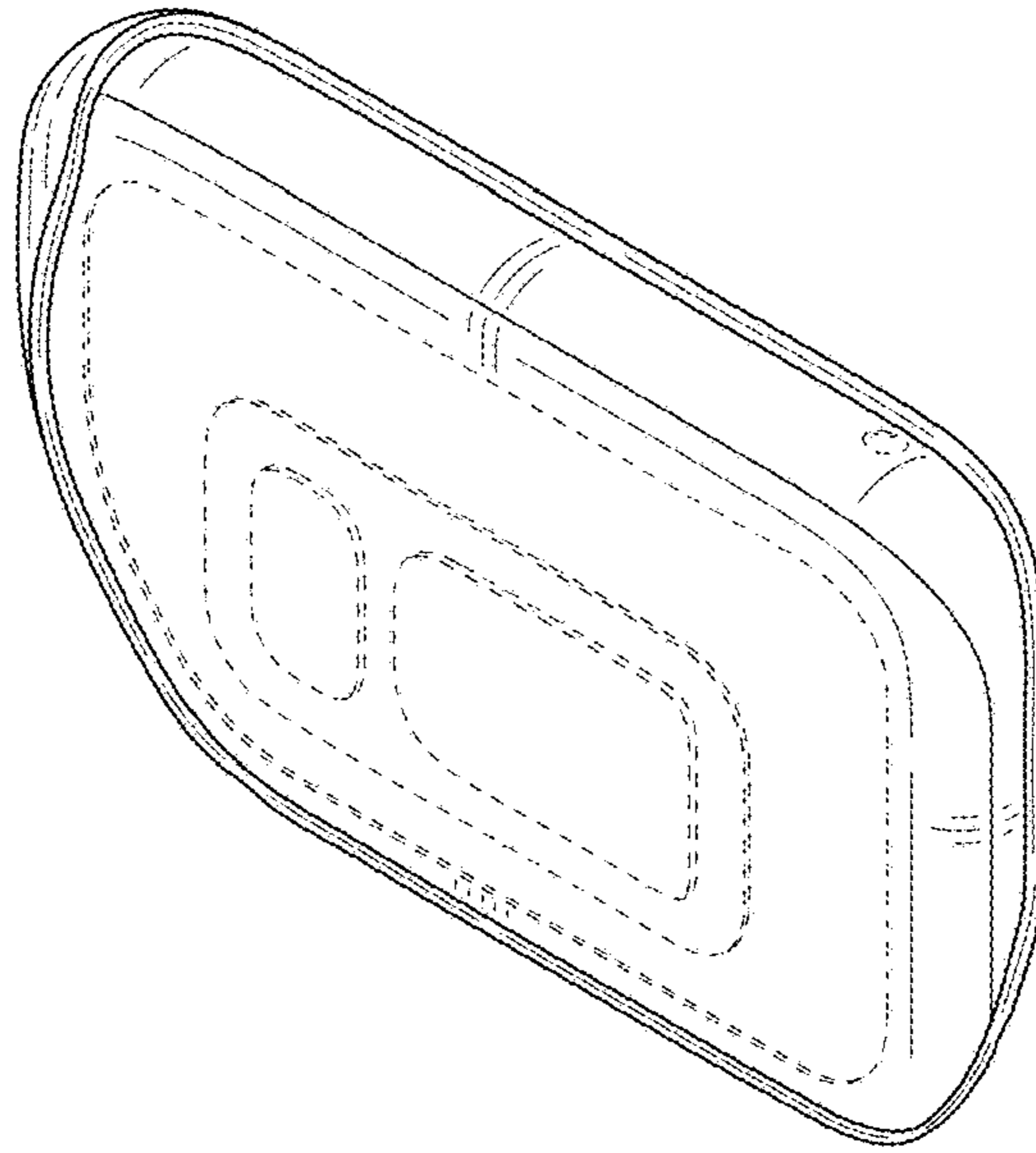


FIG.10

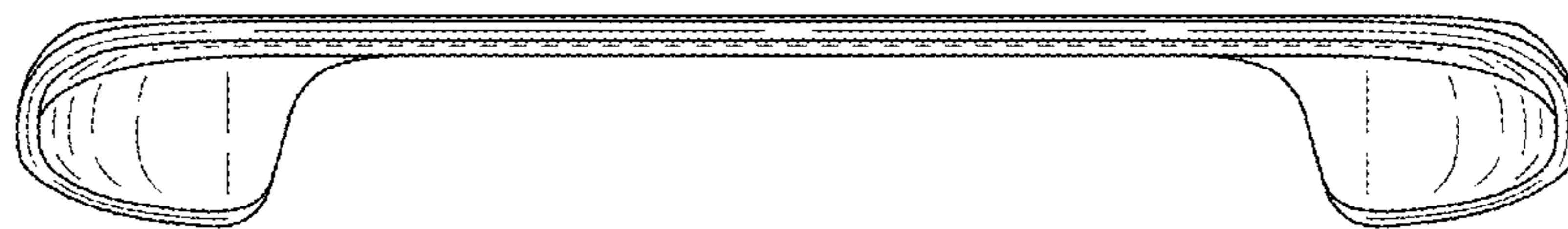


FIG.11

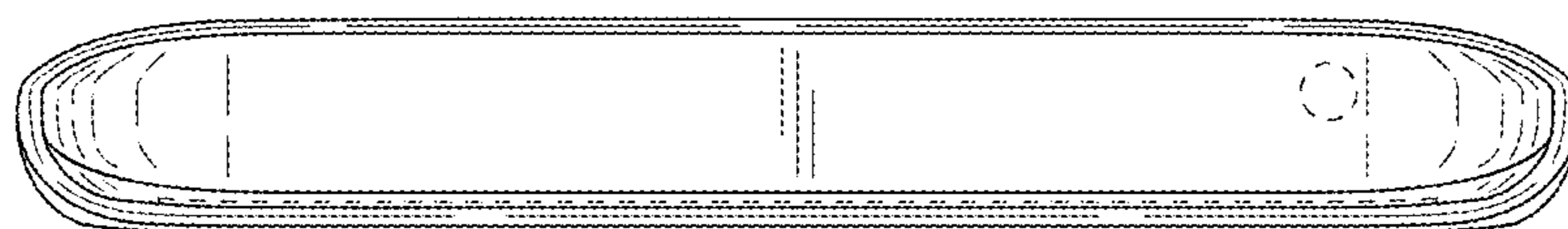


FIG.12

