



US00D859389S

(12) **United States Design Patent**
Kim et al.

(10) **Patent No.:** **US D859,389 S**

(45) **Date of Patent:** **** Sep. 10, 2019**

(54) **CASE FOR MOBILE PHONE**

(71) Applicant: **Samsung Electronics Co., Ltd.**,
Suwon-si (KR)

(72) Inventors: **Ik-Sang Kim**, Seoul (KR);
Hyoung-Shin Park, Seongnam-si (KR);
Ji-Su Hwang, Seoul (KR); **Seon-Keun Park**, Seoul (KR)

(73) Assignee: **SAMSUNG ELECTRONICS CO., LTD.**, Suwon-si (KR)

(**) Term: **15 Years**

(21) Appl. No.: **29/605,788**

(22) Filed: **May 30, 2017**

(30) **Foreign Application Priority Data**

Feb. 9, 2016 (KR) 30-2016-0059964

(51) **LOC (12) Cl.** **14-03**

(52) **U.S. Cl.**
USPC **D14/250**

(58) **Field of Classification Search**
USPC D3/201, 218, 226, 227, 247, 249, 250,
D3/269, 303; D13/103, 107, 108, 119;
(Continued)

(56) **References Cited**

U.S. PATENT DOCUMENTS

D414,033 S * 9/1999 Rohm D3/201
D582,405 S * 12/2008 Andre D3/299
(Continued)

Primary Examiner — Susan E Krakower

Assistant Examiner — L. A. Grabenstetter

(74) *Attorney, Agent, or Firm* — McAndrews Held & Malloy, Ltd.

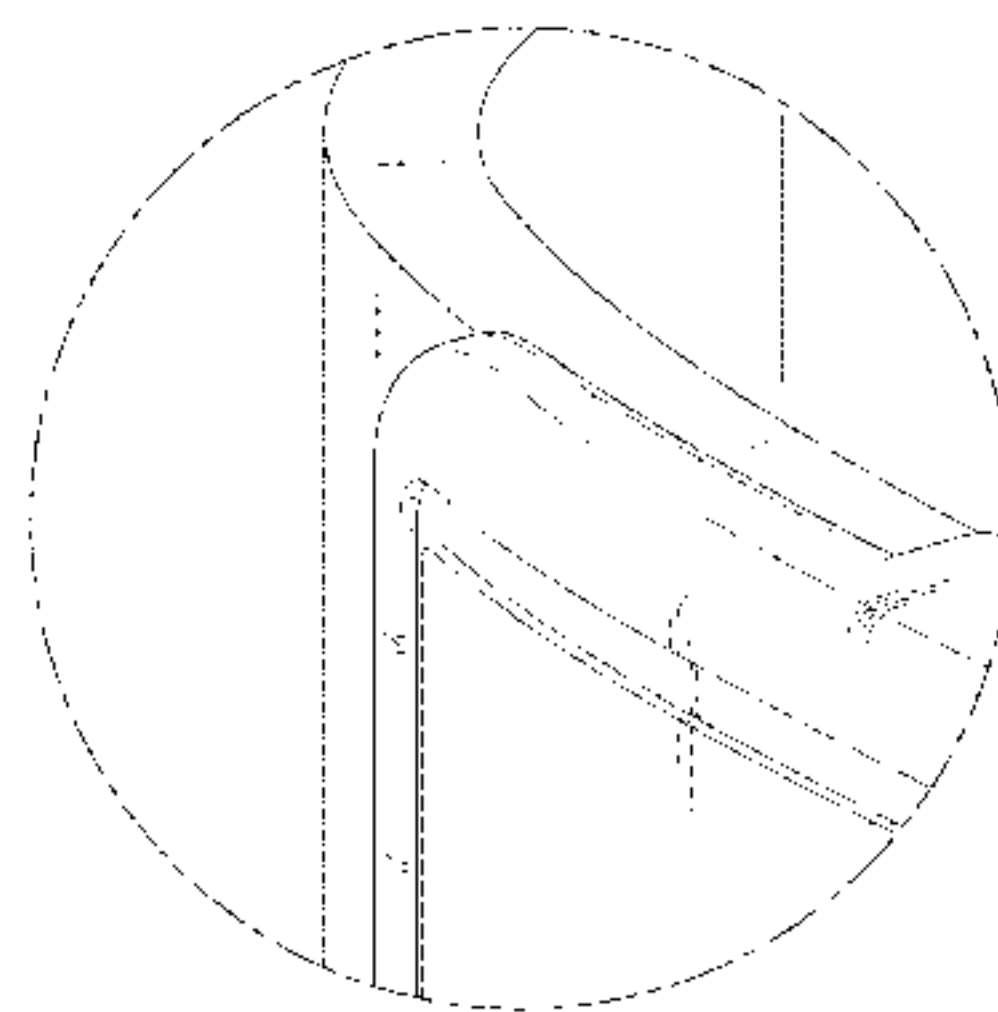
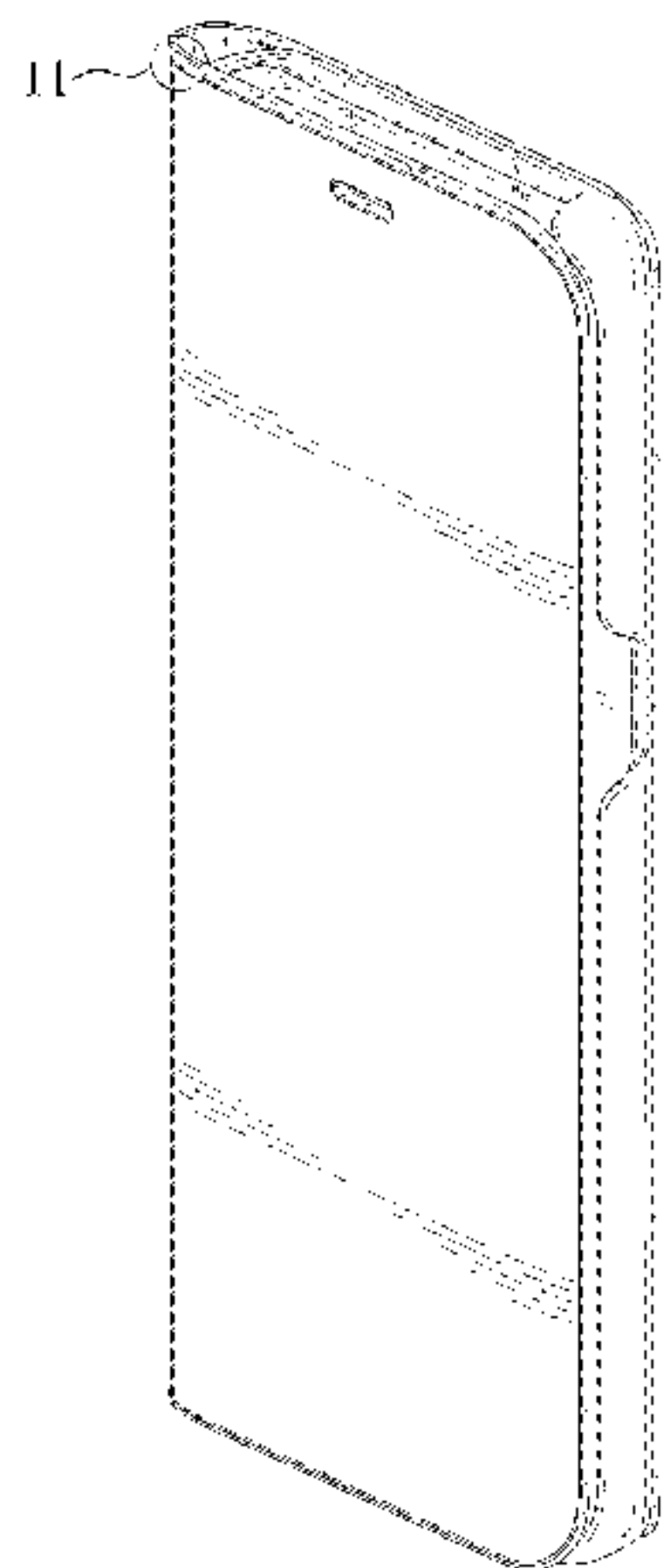
(57) **CLAIM**

The ornamental design for a case for mobile phone, as shown and described.

DESCRIPTION

FIG. 1 is a front perspective view of a case for mobile phone showing our new design according to a first embodiment; FIG. 2 is a front elevation view thereof; FIG. 3 is a rear elevation view thereof; FIG. 4 is a left side elevation view thereof; FIG. 5 is a right side elevation view thereof; FIG. 6 is a top plan view thereof; FIG. 7 is a bottom plan view thereof; FIG. 8 is a rear perspective view thereof; FIG. 9 is a rear perspective view thereof, showing the case in an open position; FIG. 10 is a top plan view thereof, showing the case in an open position along with a mobile phone to provide example environment; FIG. 11 is an enlarged view of the encircled portion in FIG. 1; FIG. 12 is a front perspective view of a case for mobile phone showing our new design according to a second embodiment; FIG. 13 is a front elevation view thereof; FIG. 14 is a rear elevation view thereof; FIG. 15 is a left side elevation view thereof; FIG. 16 is a right side elevation view thereof; FIG. 17 is a top plan view thereof; FIG. 18 is a bottom plan view thereof; FIG. 19 is a rear perspective view thereof; FIG. 20 is a rear perspective view thereof, showing the case in an open position; FIG. 21 is a top plan view thereof, showing the case in an open position along with a mobile phone to provide example environment; and, FIG. 22 is an enlarged view of the encircled portion in FIG. 12. The evenly dashed broken lines in the figures depict environmental subject matter and form no part of the claimed design. The dot-dash broken lines encircling portions of the claimed design that are illustrated in enlargements form no part of the claimed design.

1 Claim, 18 Drawing Sheets



(58) **Field of Classification Search**

USPC D14/137, 138 R, 138 AA, 138 C, 138 G,
D14/172, 192, 203.3–203.7, 217, 238.1,
D14/247, 248, 250–253, 440, 447
CPC H04B 1/3888; H04M 1/0283;
H04M 1/0202; A45C 1/06; A45C
2011/002; A45C 11/00; A45F 2005/028;
A45F 2200/0525

See application file for complete search history.

(56) **References Cited**

U.S. PATENT DOCUMENTS

D652,829 S * 1/2012 Kim D14/250
D682,817 S * 5/2013 Murchison D14/250
D694,741 S * 12/2013 Kim D14/250
D705,539 S * 5/2014 Del Solar D3/249
D710,838 S * 8/2014 Song D14/250
D722,059 S * 2/2015 Hirst D14/440
D729,522 S * 5/2015 Kim D3/218
D738,620 S * 9/2015 Schmole D3/249
D740,882 S * 10/2015 Poon D19/26
D748,084 S * 1/2016 Kim D14/250
D750,888 S * 3/2016 Johnson D3/249
D760,708 S * 7/2016 Hirst D14/250
D762,205 S * 7/2016 Dang D14/250
D762,615 S * 8/2016 Kim D14/203.4
D767,888 S * 10/2016 Kim D3/249
D769,853 S * 10/2016 Kim D14/250
2012/0043247 A1 * 2/2012 Westrup A45C 3/02
206/472

* cited by examiner

FIG. 1

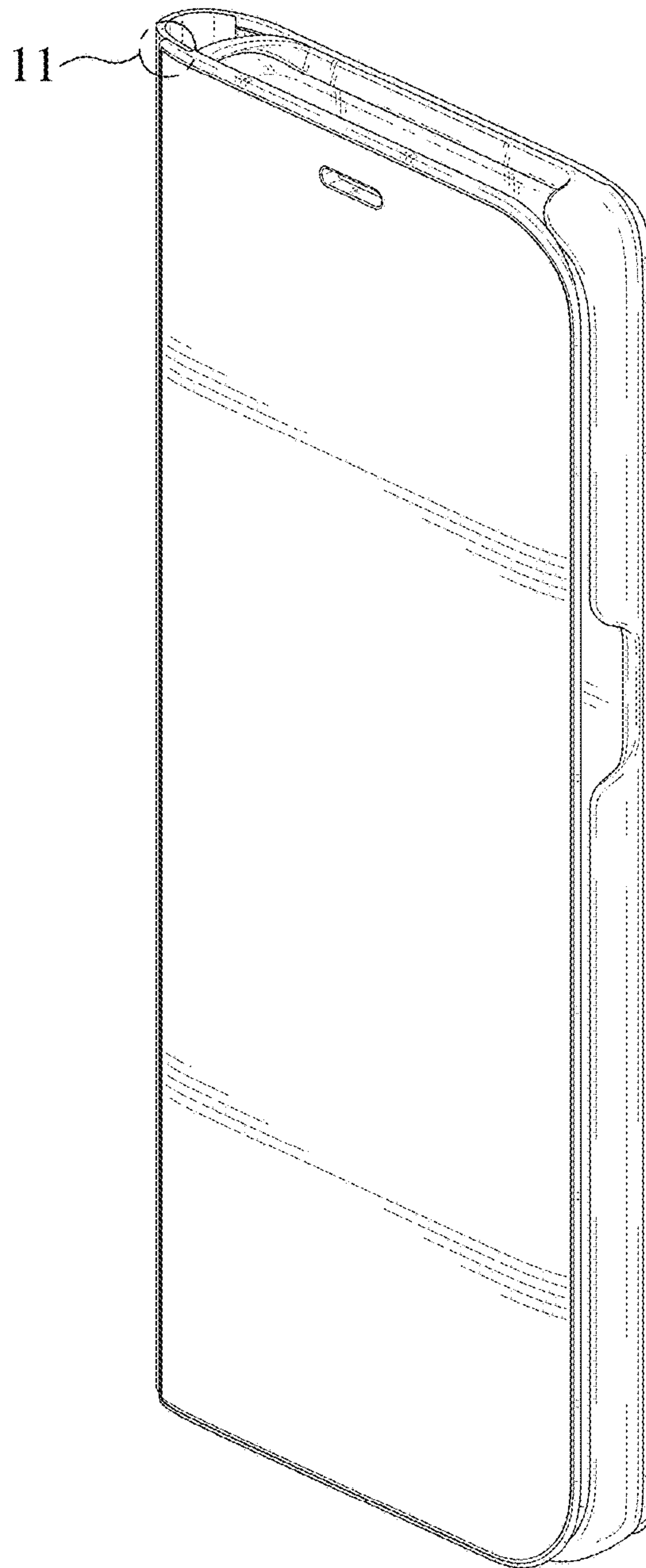


FIG. 2

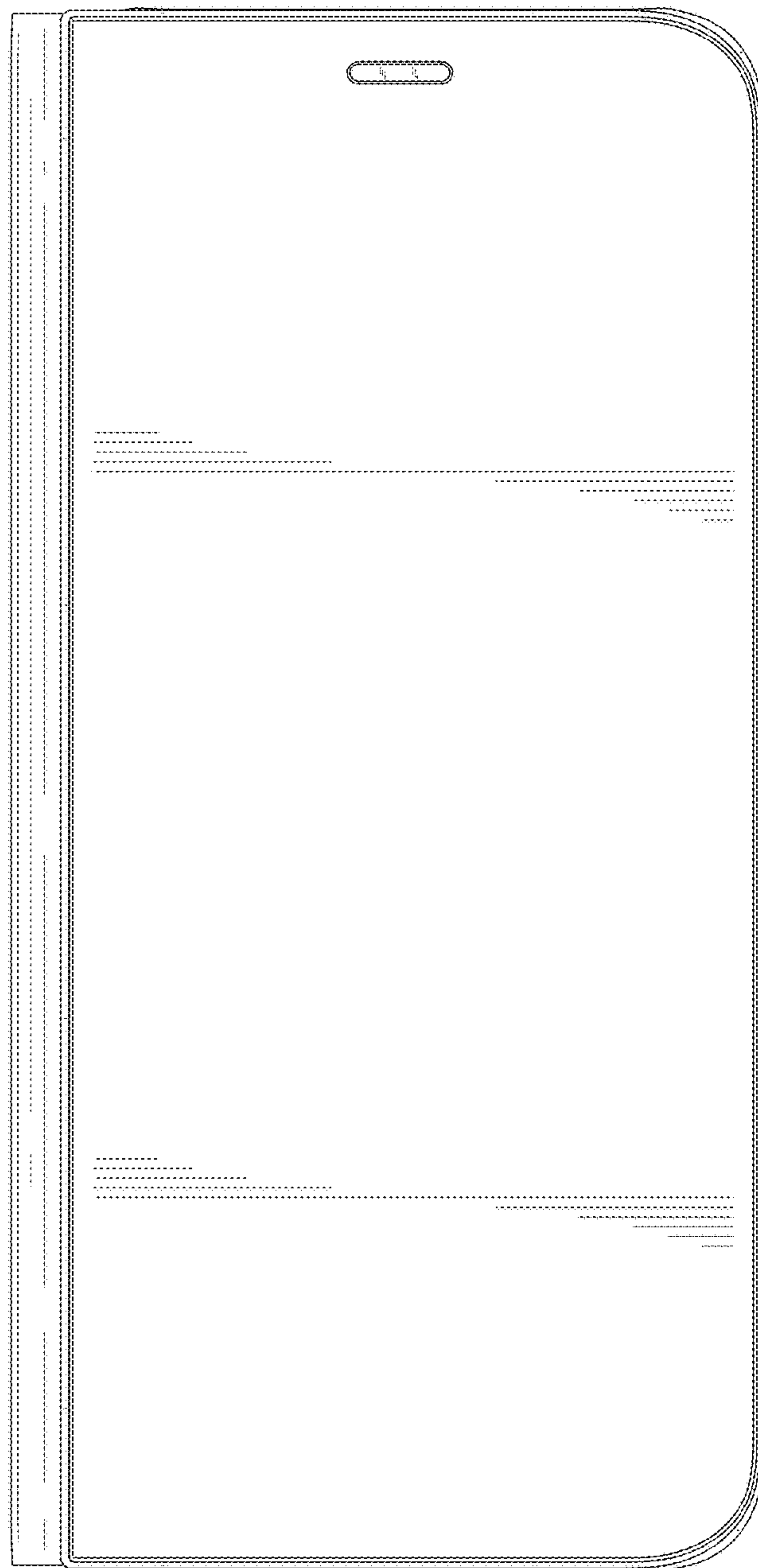


FIG. 3

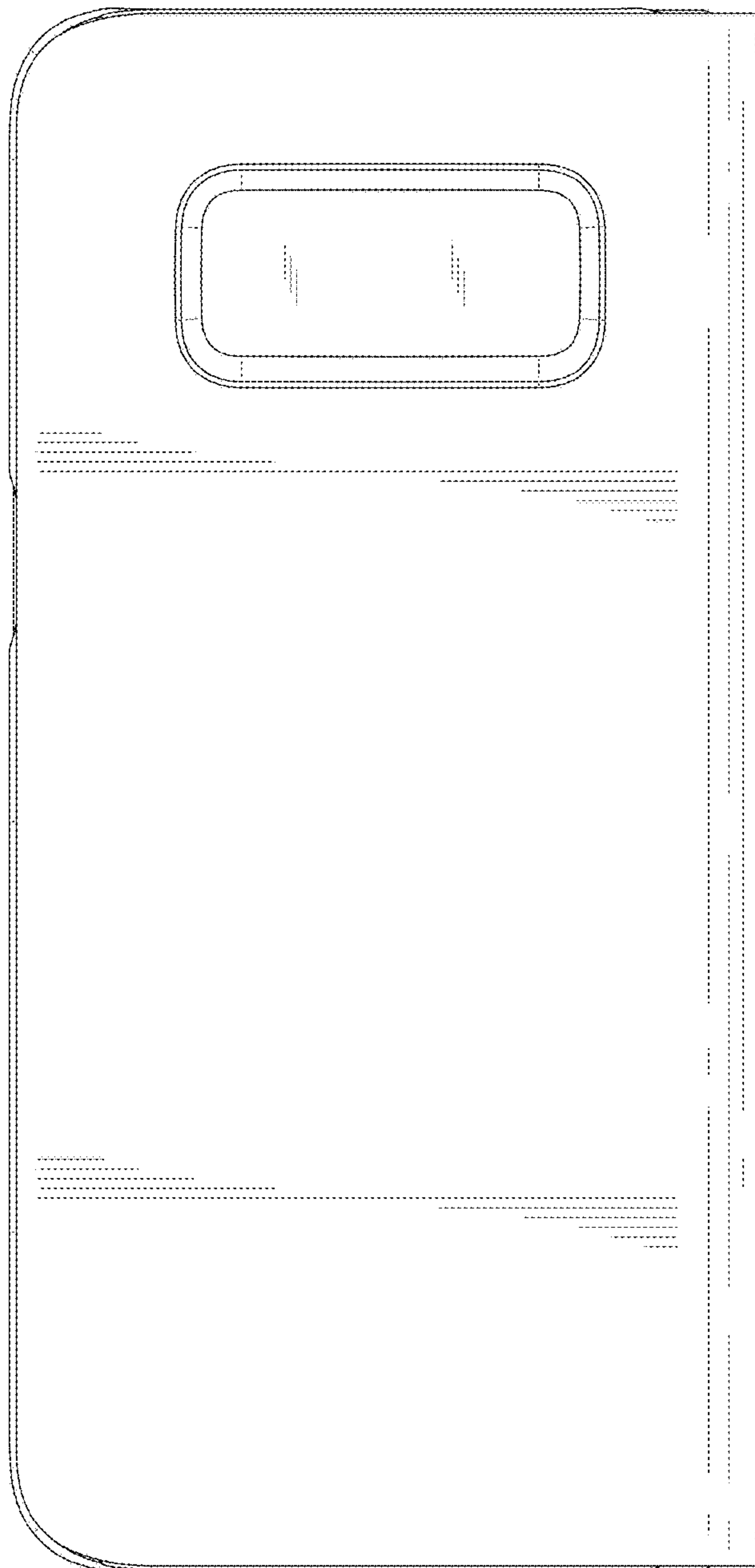


FIG. 4

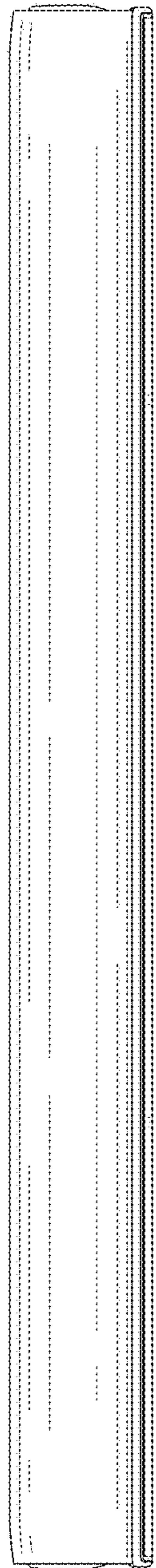


FIG. 5

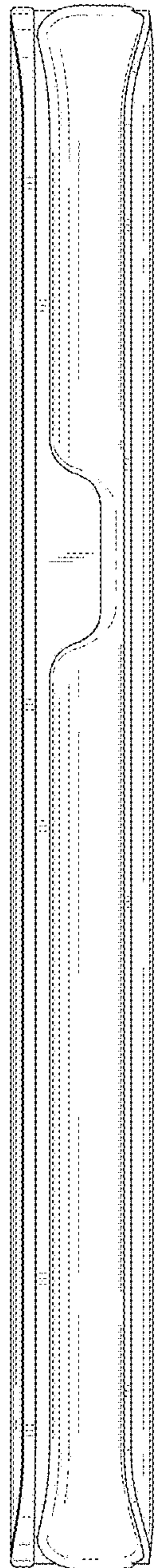


FIG. 6

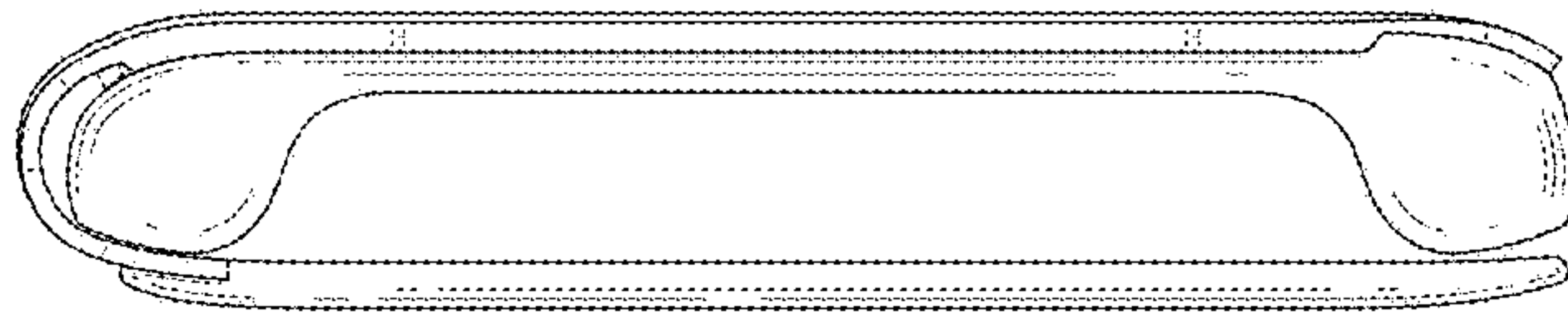


FIG. 7

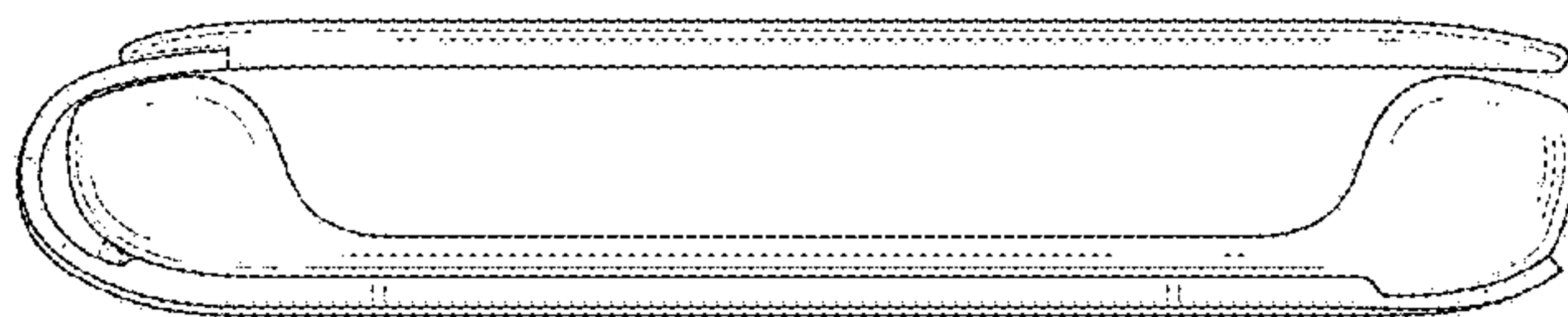


FIG. 8

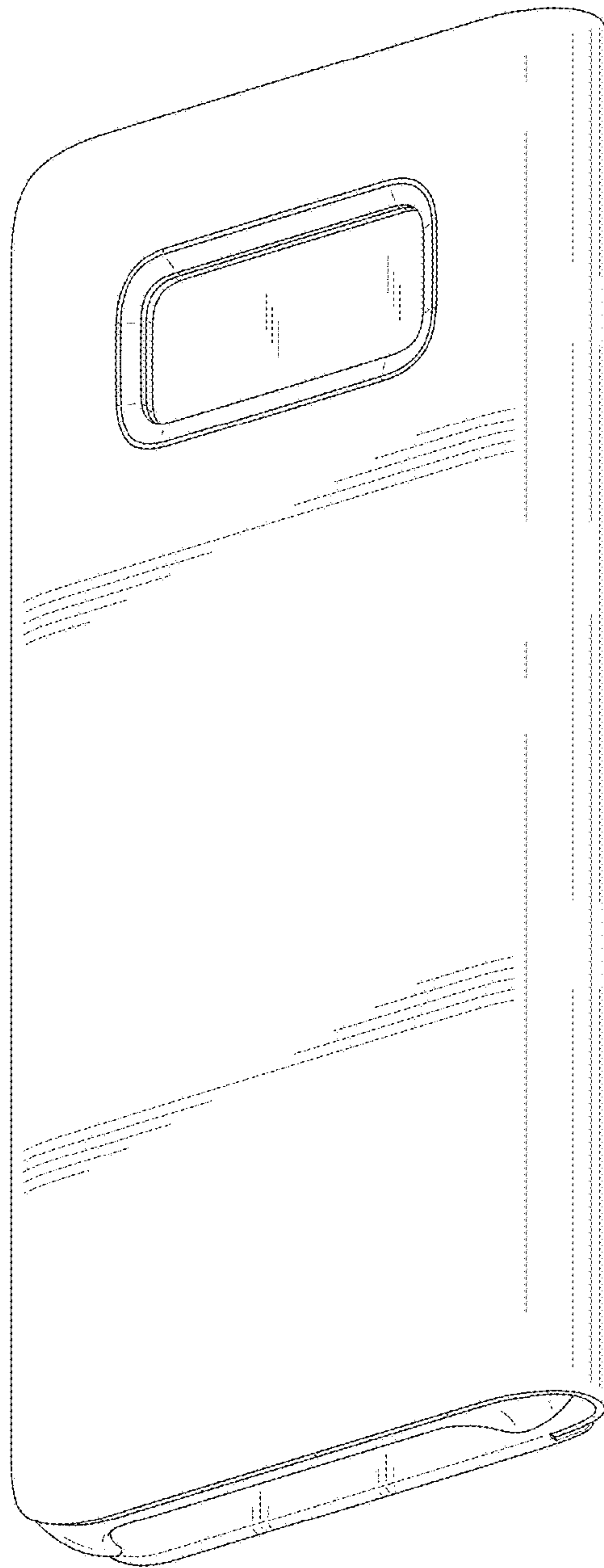


FIG. 9

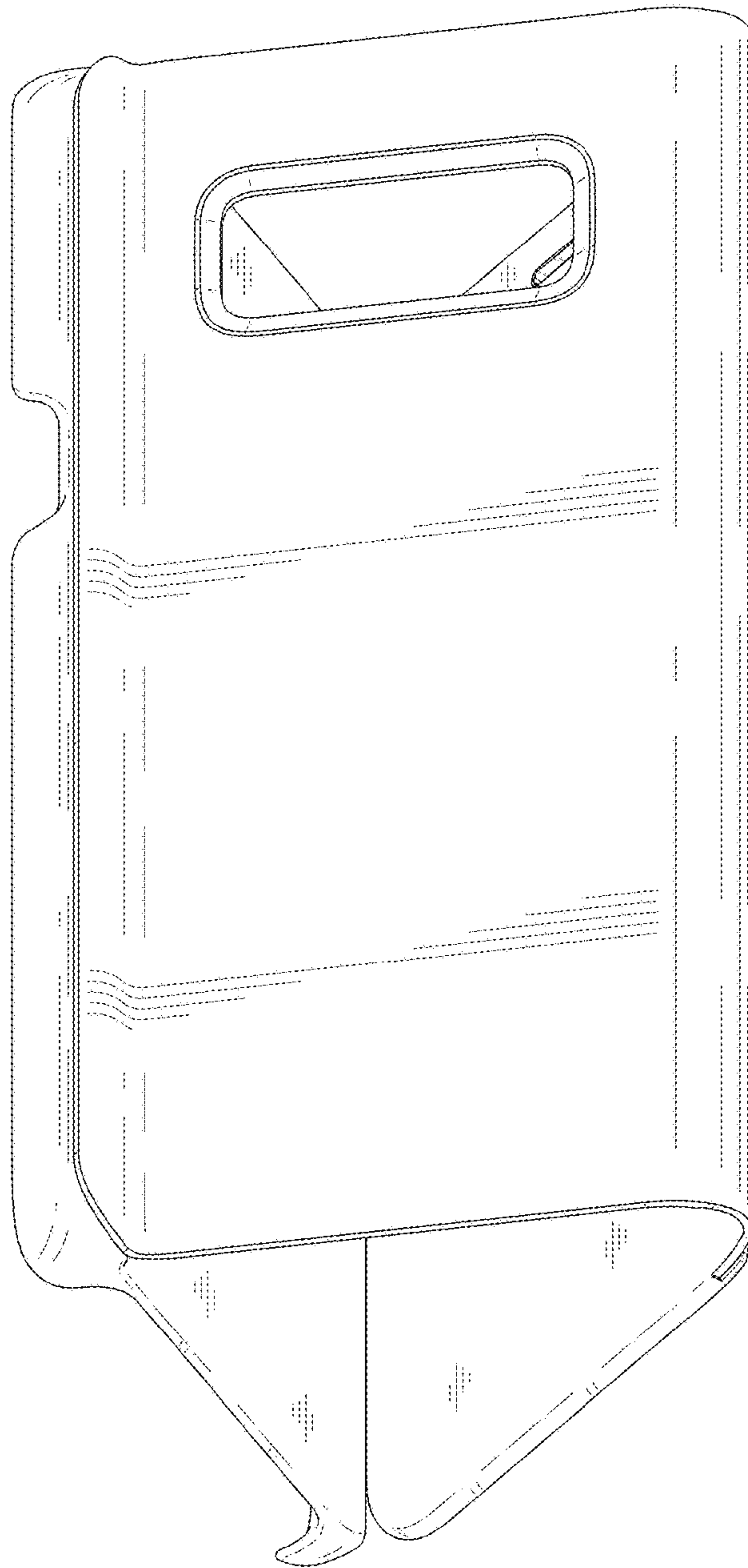


FIG. 10

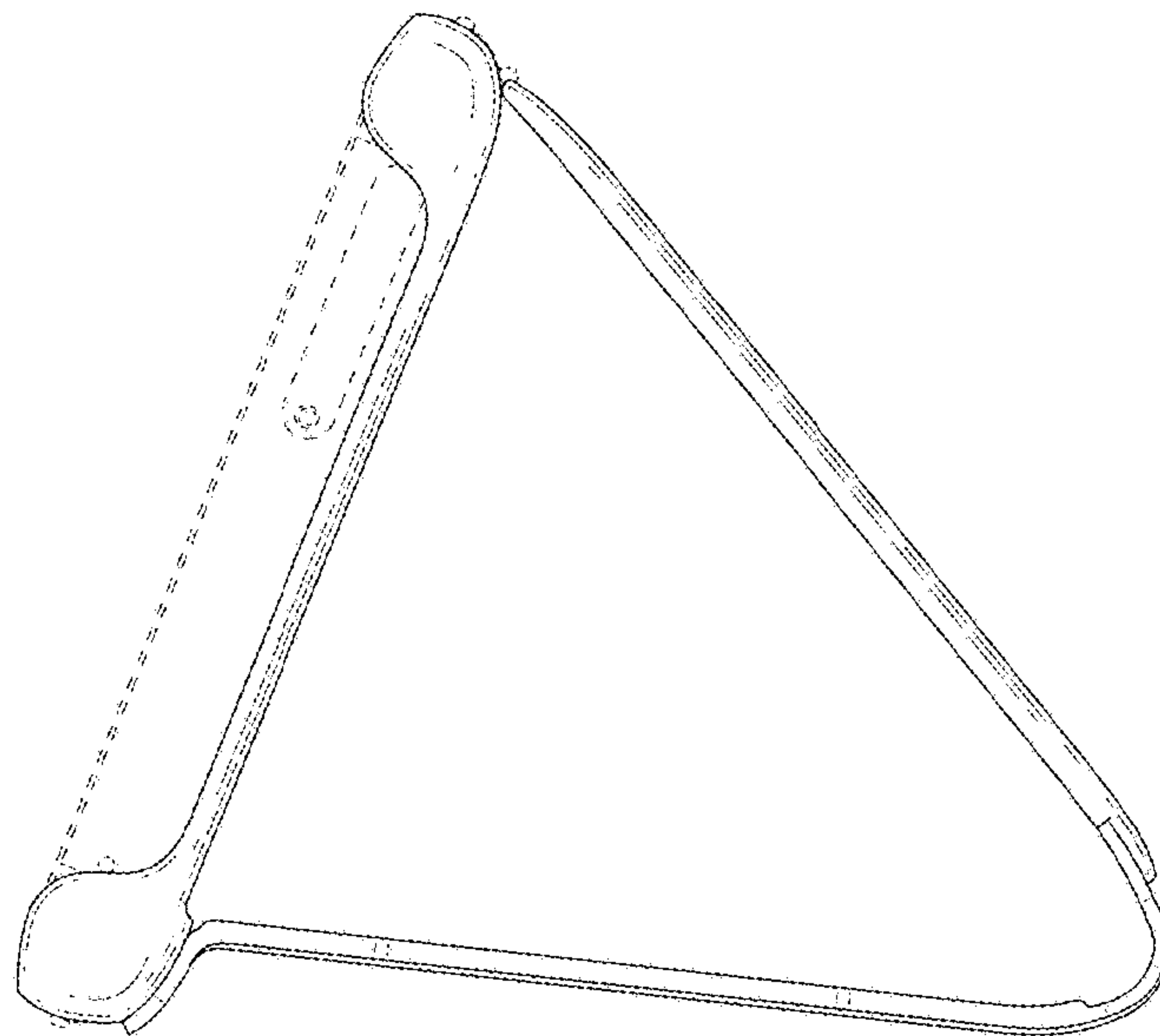


FIG. 11

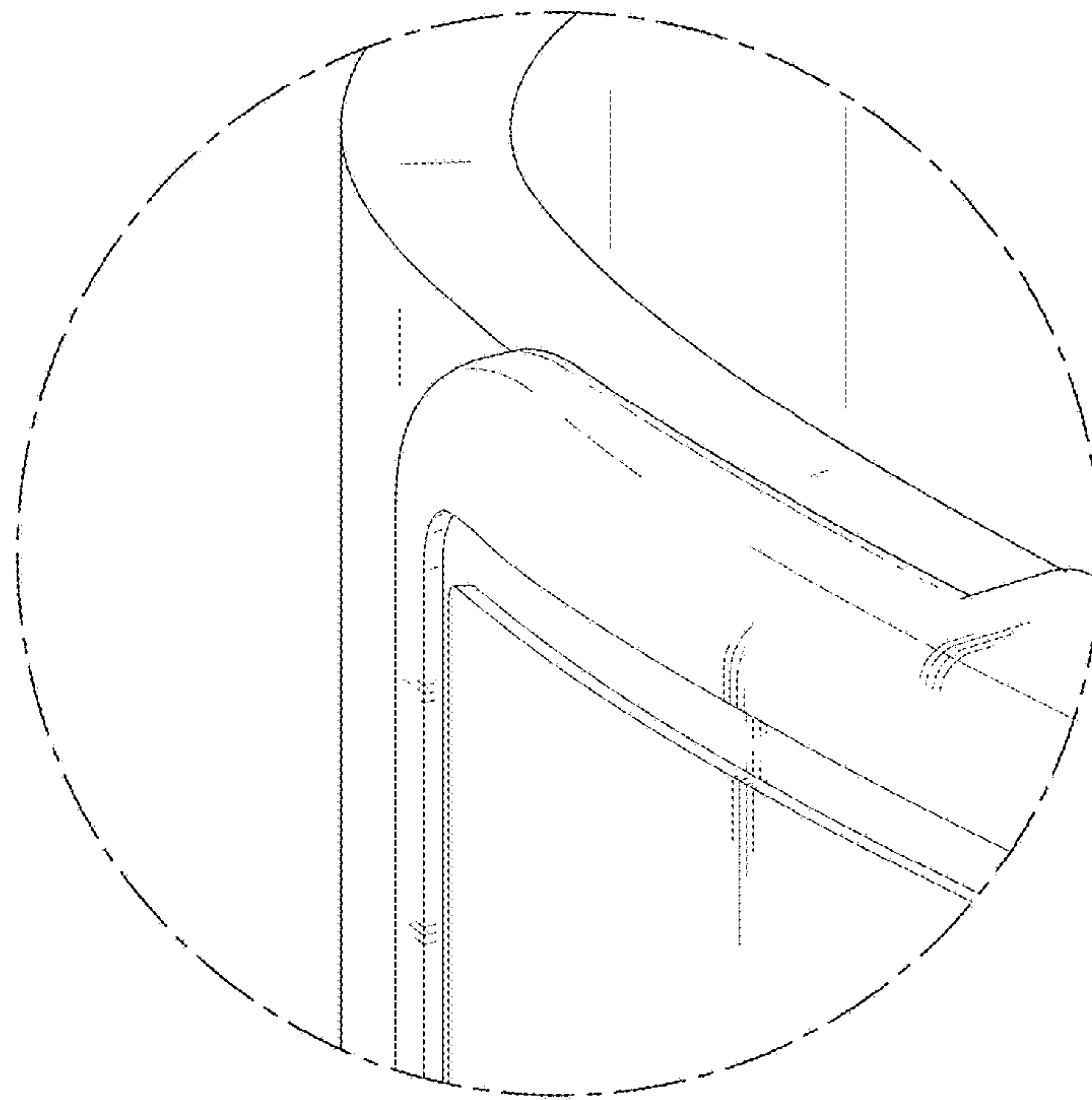


FIG. 12

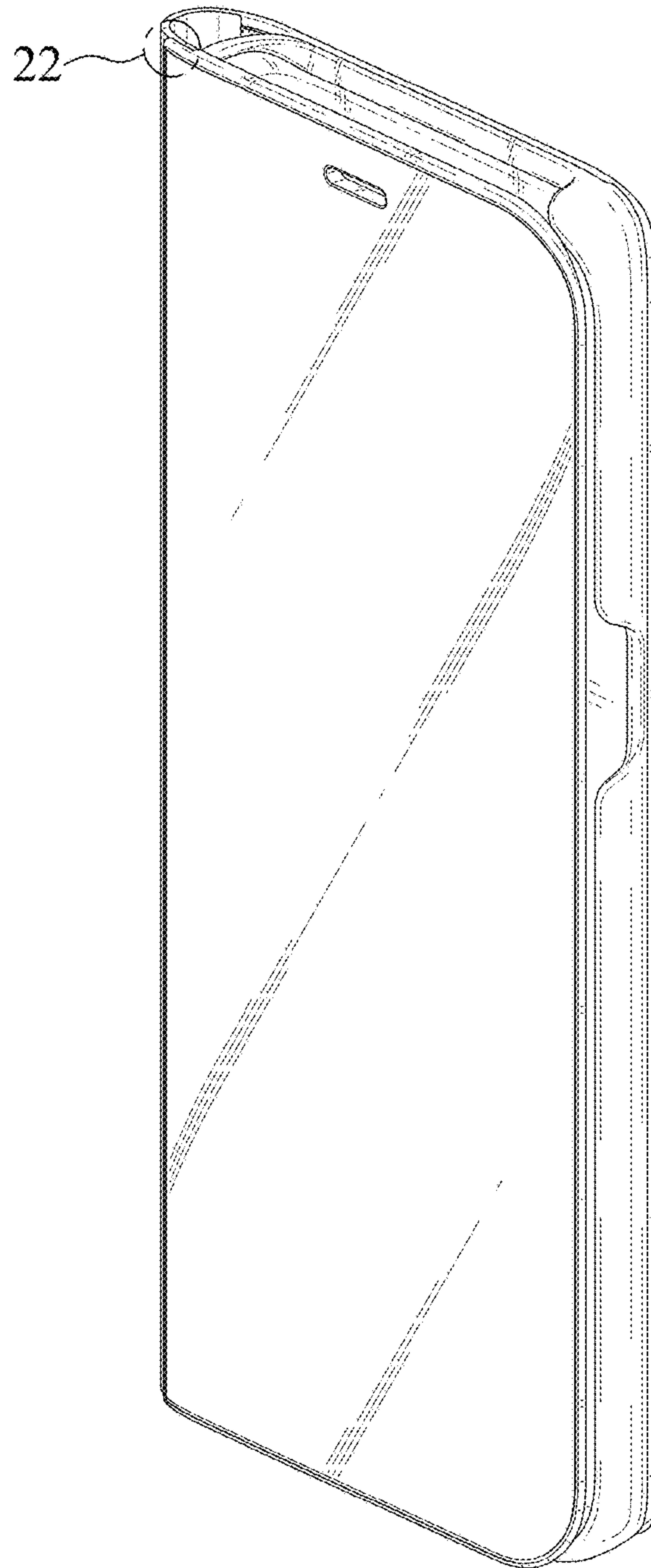


FIG. 13

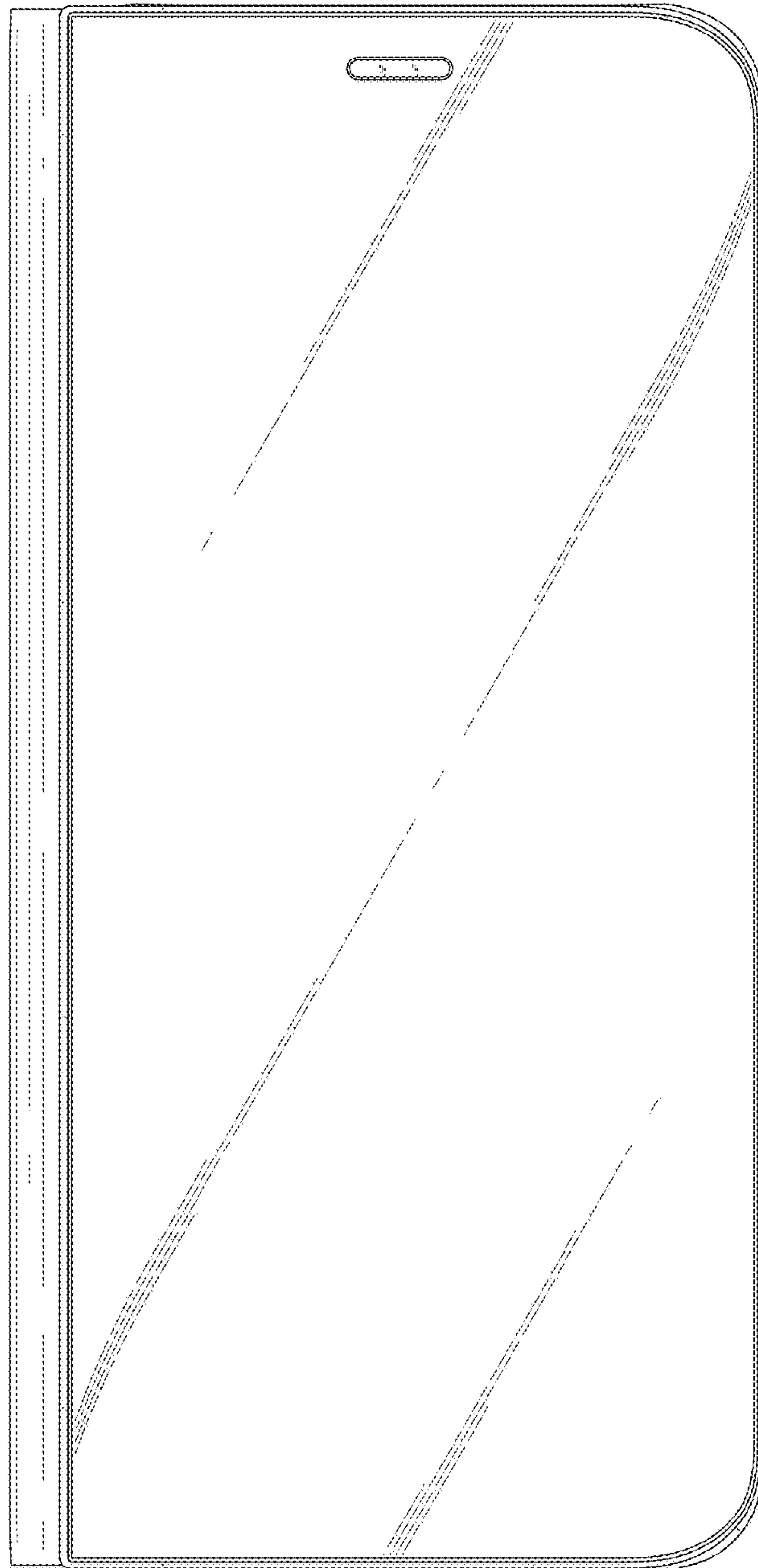


FIG. 14

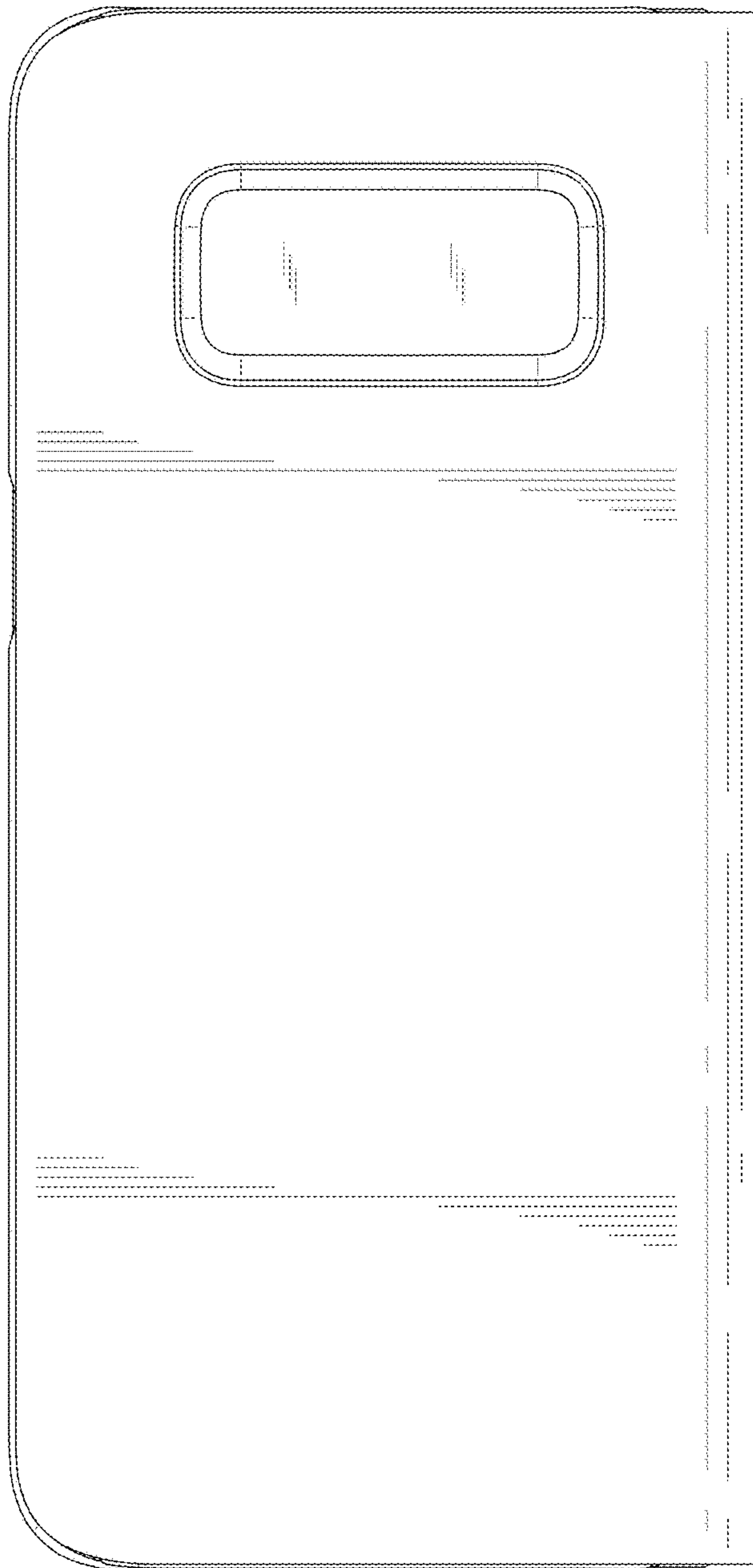


FIG. 15

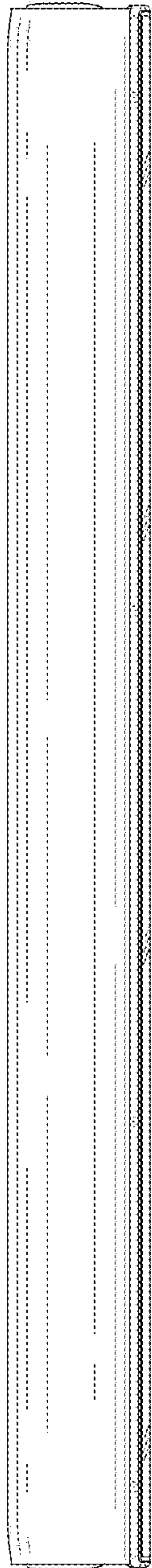


FIG. 16

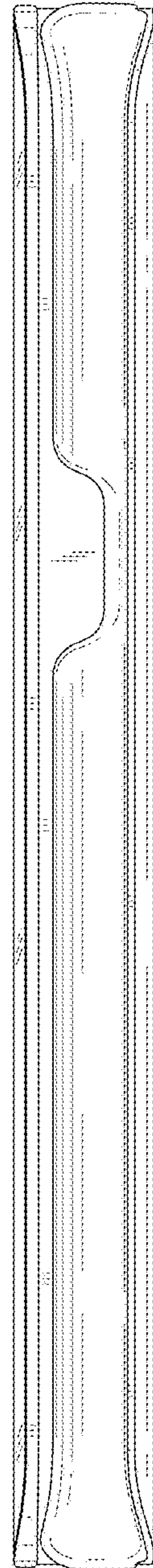


FIG. 17

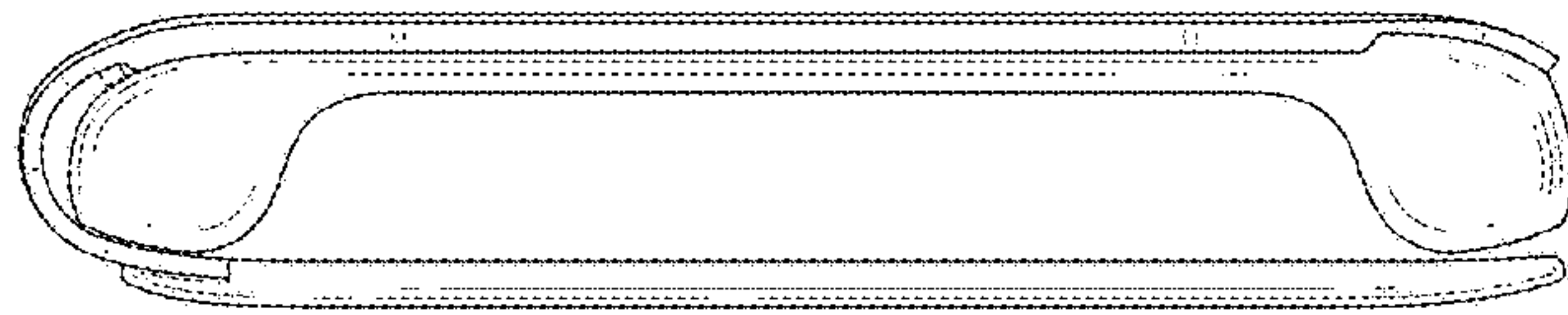


FIG. 18

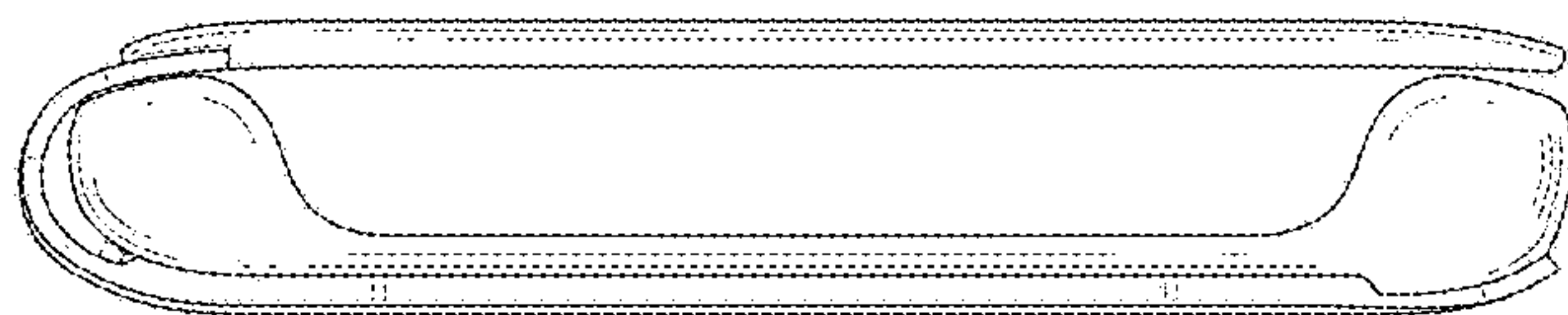


FIG. 19

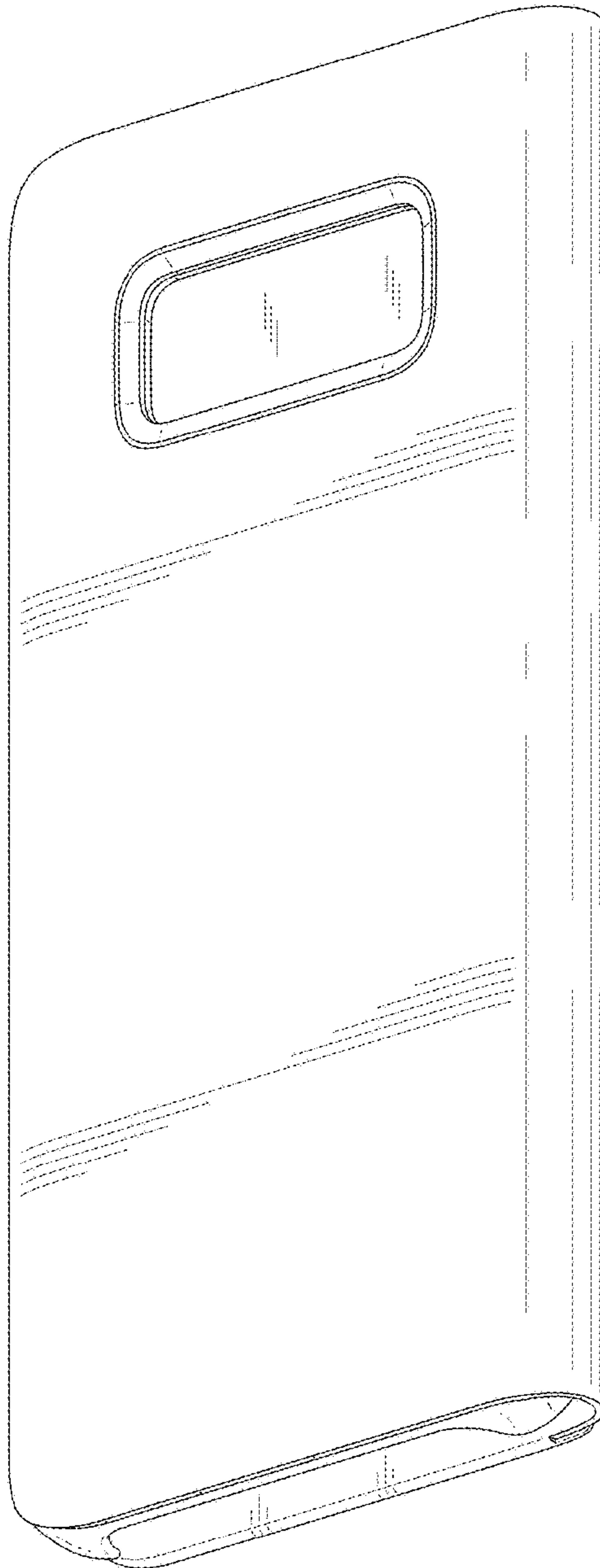


FIG. 20

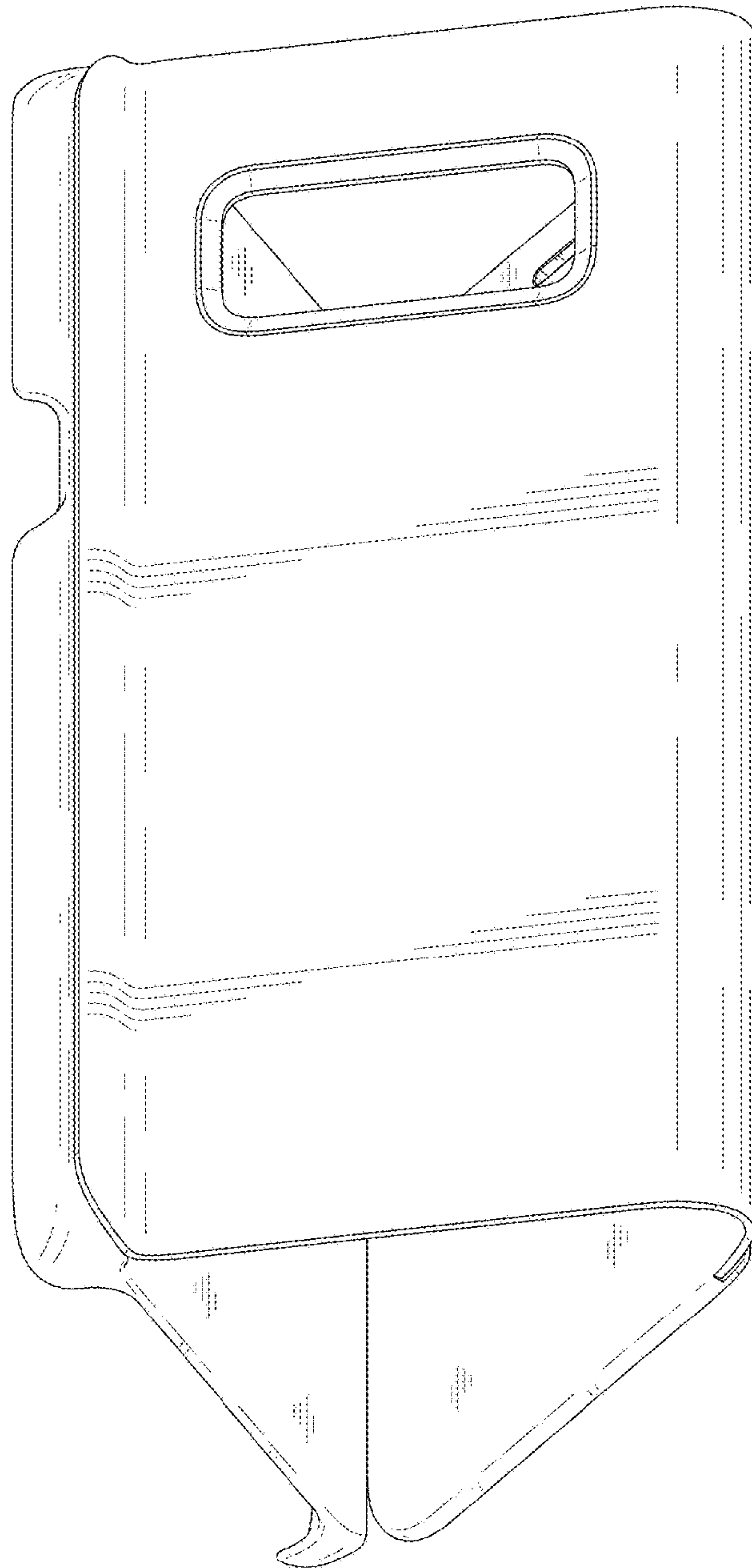


FIG. 21

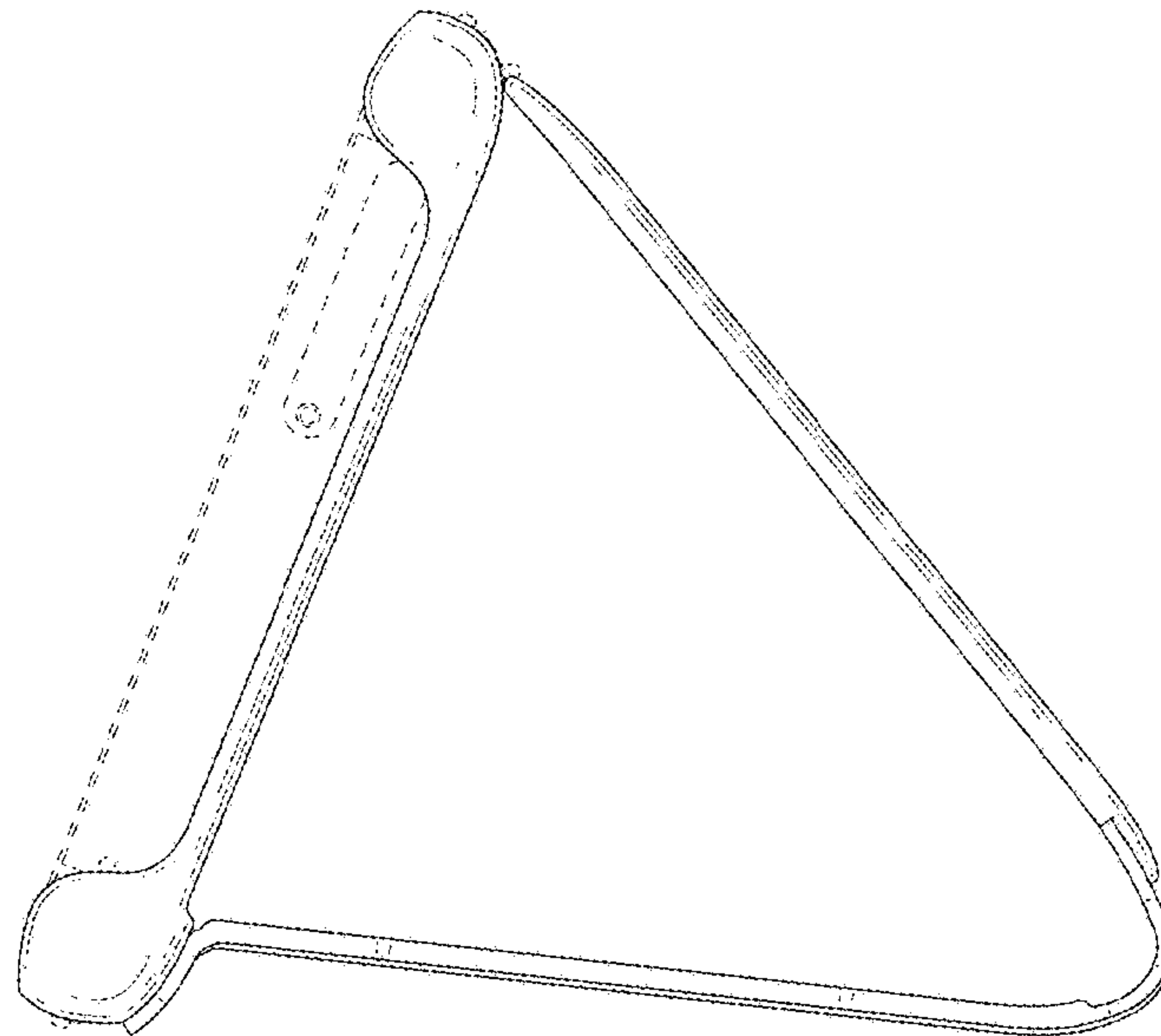


FIG. 22

