



US00D859387S

(12) **United States Design Patent**
Chung

(10) **Patent No.:** **US D859,387 S**

(45) **Date of Patent:** **** Sep. 10, 2019**

(54) **LENS COVER FOR MOBILE COMPUTER**

(71) Applicant: **GETAC TECHNOLOGY CORPORATION**, Hsinchu County (TW)

(72) Inventor: **Chia-Lung Chung**, Taipei (TW)

(73) Assignee: **GETAC TECHNOLOGY CORPORATION**, Hsinchu County (TW)

(**) Term: **15 Years**

(21) Appl. No.: **29/600,405**

(22) Filed: **Apr. 12, 2017**

(51) **LOC (12) Cl.** **14-03**

(52) **U.S. Cl.**
USPC **D14/250; D14/440**

(58) **Field of Classification Search**
USPC D3/201, 218, 226, 227, 247, 249, 250, D3/269, 303; D13/103, 107, 108, 119; D14/137, 138 R, 138 AA, 138 C, 138 G, D14/203.3-203.7, 217, 238.1, 247, 248, D14/250-253, 440, 447; D16/219, 237
CPC H04B 1/3888; H04M 1/0283; H04M 1/0202; A45C 1/06; A45C 2011/002; A45C 11/00; A45F 2005/028; A45F 2200/0525

See application file for complete search history.

(56) **References Cited**

U.S. PATENT DOCUMENTS

D266,432 S *	10/1982	Cinque	D16/237
D296,761 S *	7/1988	Mockett	379/438
D527,723 S *	9/2006	Andre	D14/217
D626,744 S *	11/2010	Roman	D14/240
D643,457 S *	8/2011	DeLong	16/219
D665,386 S *	8/2012	Fathollahi	D14/250
D669,112 S *	10/2012	Gustaveson	D16/208
D694,744 S *	12/2013	Kim	D14/250

D704,692 S *	5/2014	Kim	D14/250
D711,862 S *	8/2014	Fathollahi	D14/250
D714,852 S *	10/2014	Levesque	D16/237
D721,396 S *	1/2015	Gustaveson, II	D16/237
D726,806 S *	4/2015	Demars	D14/448
D741,939 S *	10/2015	Chang	D14/250
9,179,205 B2 *	11/2015	Chao	H04R 1/023
D761,264 S *	7/2016	Terry	D14/440

(Continued)

Primary Examiner — Susan E Krakower

Assistant Examiner — L. A. Grabenstetter

(74) *Attorney, Agent, or Firm* — Locke Lord LLP; Tim Tingkang Xia, Esq.

(57) **CLAIM**

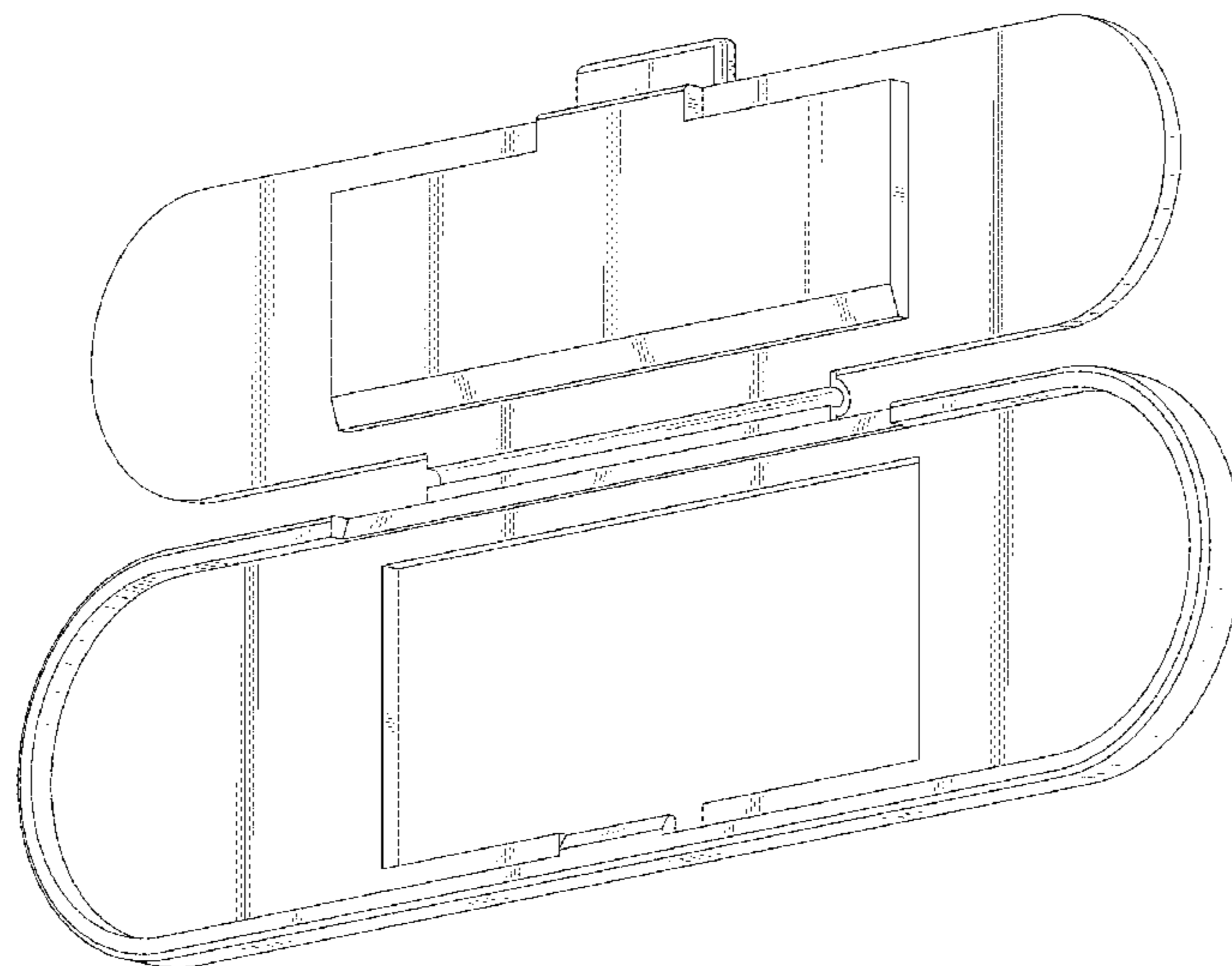
The ornamental design for a lens cover for mobile computer, as shown and described.

DESCRIPTION

FIG. 1 is a top, front perspective view of a lens cover for mobile computer showing my new design in an open state; FIG. 2 is a bottom, front perspective view thereof; FIG. 3 is a top, rear perspective view thereof; FIG. 4 is a bottom, rear perspective view thereof; FIG. 5 is a front view thereof; FIG. 6 is a rear view thereof; FIG. 7 is a left side view thereof; FIG. 8 is a right side view thereof; FIG. 9 is a top view thereof; FIG. 10 is a bottom view thereof; FIG. 11 is a second top, front perspective view thereof, with the lens cover for mobile computer shown in a closed state; and, FIG. 12 is a third top, front perspective view thereof, with the lens cover for mobile computer shown in an open state, shown in an environment of use, with an unclaimed mobile computer.

The dashed broken lines illustrate environmental structure and form no part of the claimed design.

1 Claim, 12 Drawing Sheets



(56)

References Cited

U.S. PATENT DOCUMENTS

D782,562 S * 3/2017 Gustaveson, II D16/237
2014/0220269 A1 * 8/2014 Ogufere Ogufere ... B44C 5/005
428/34.1

* cited by examiner

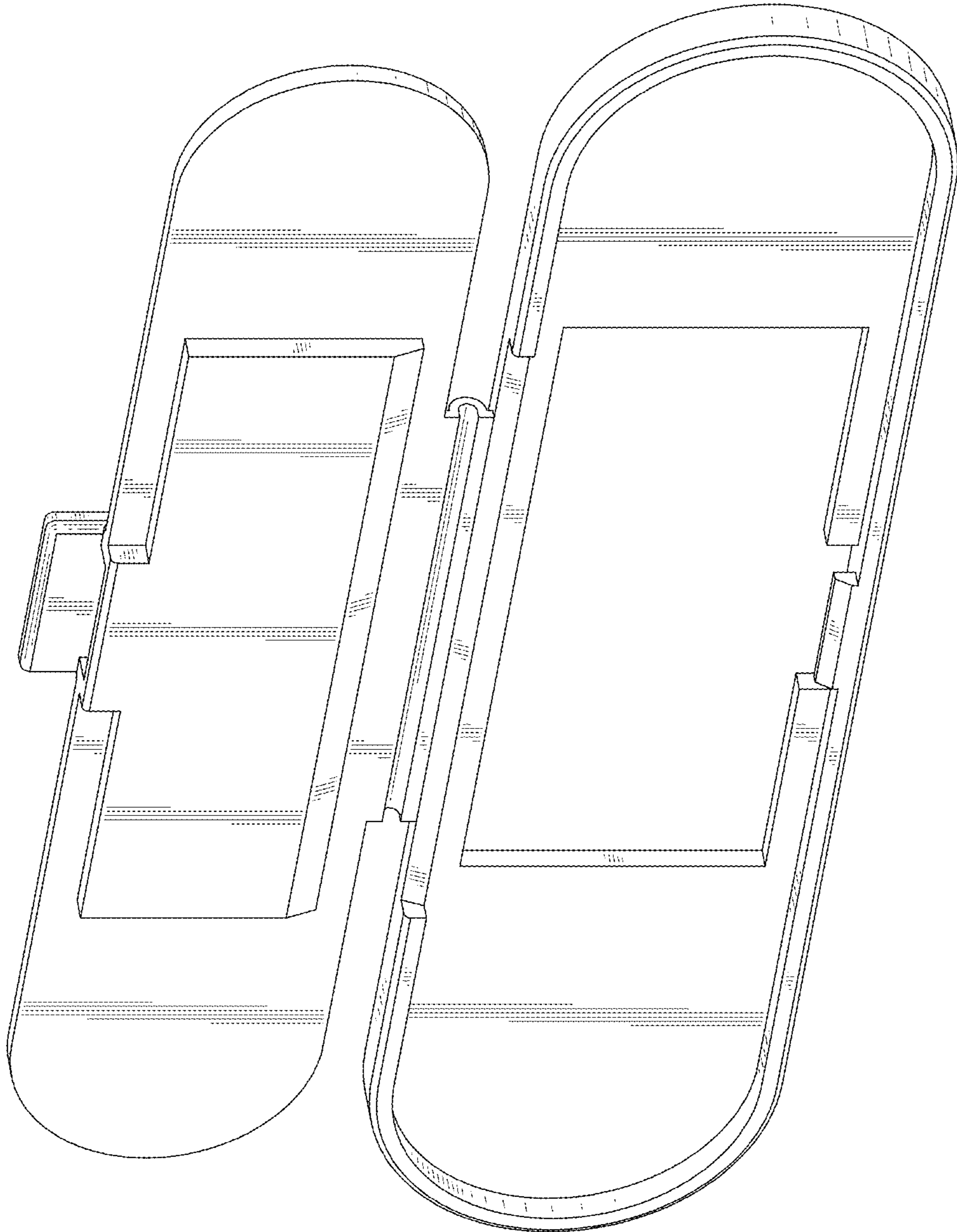


FIG. 1

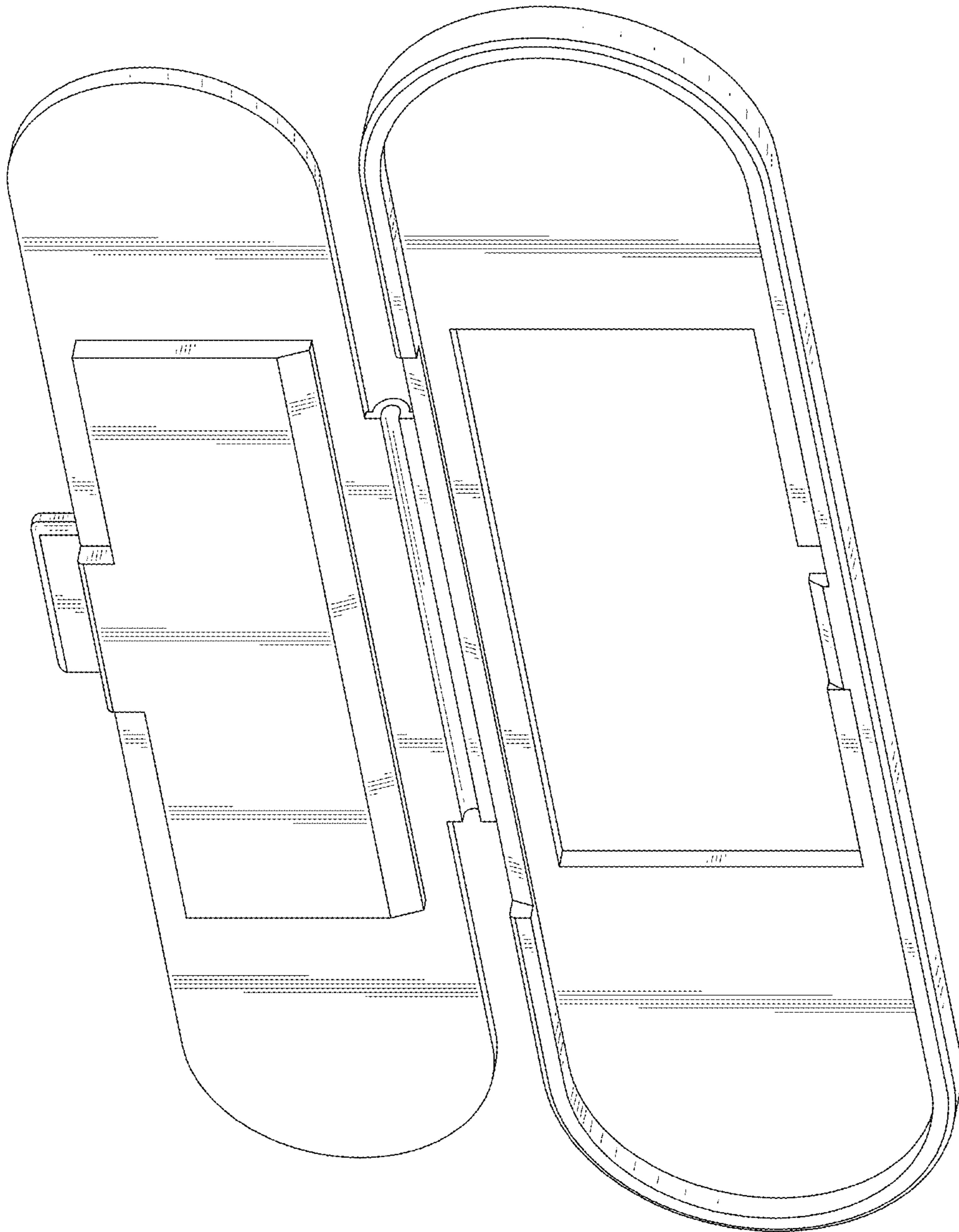


FIG. 2

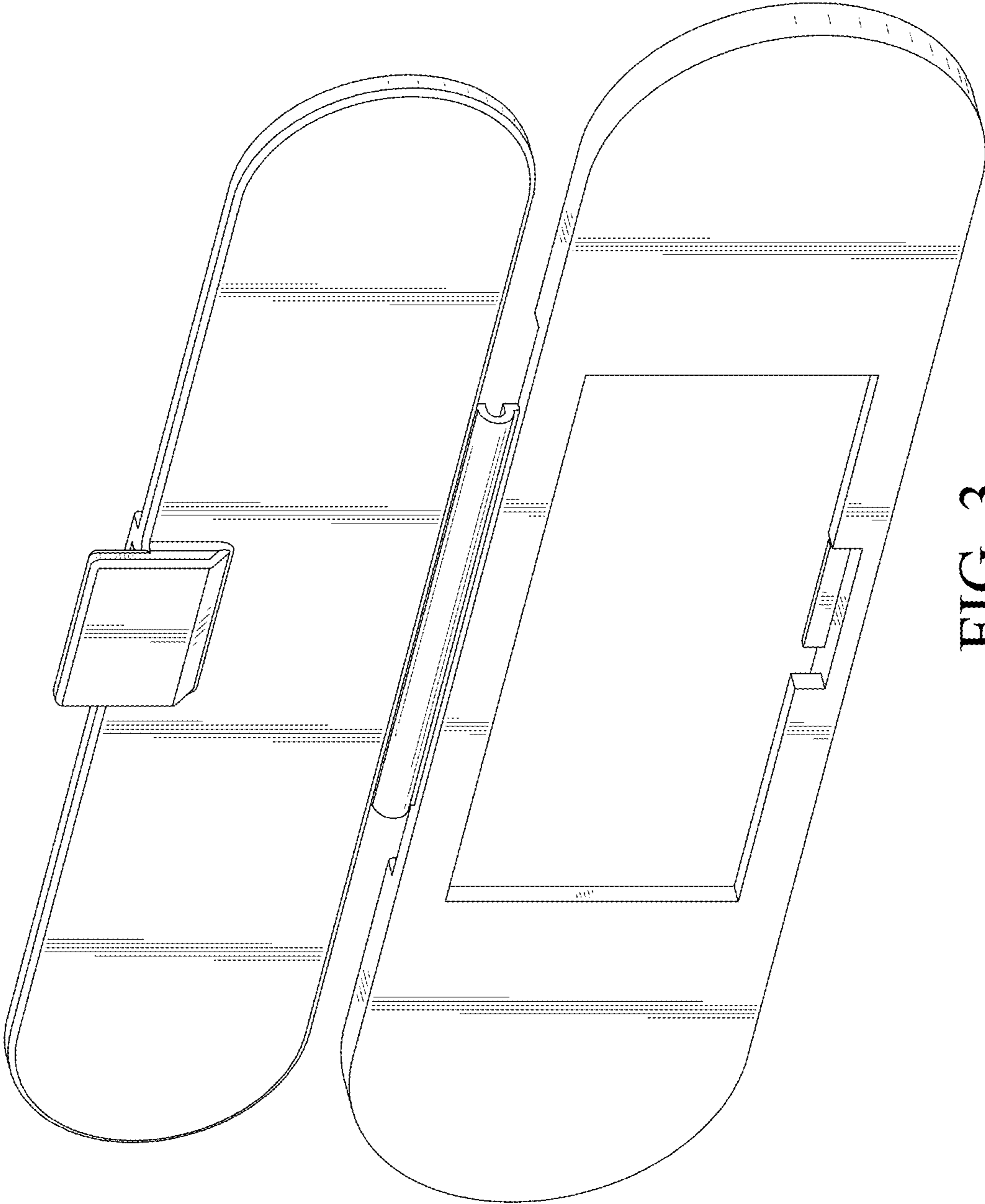


FIG. 3

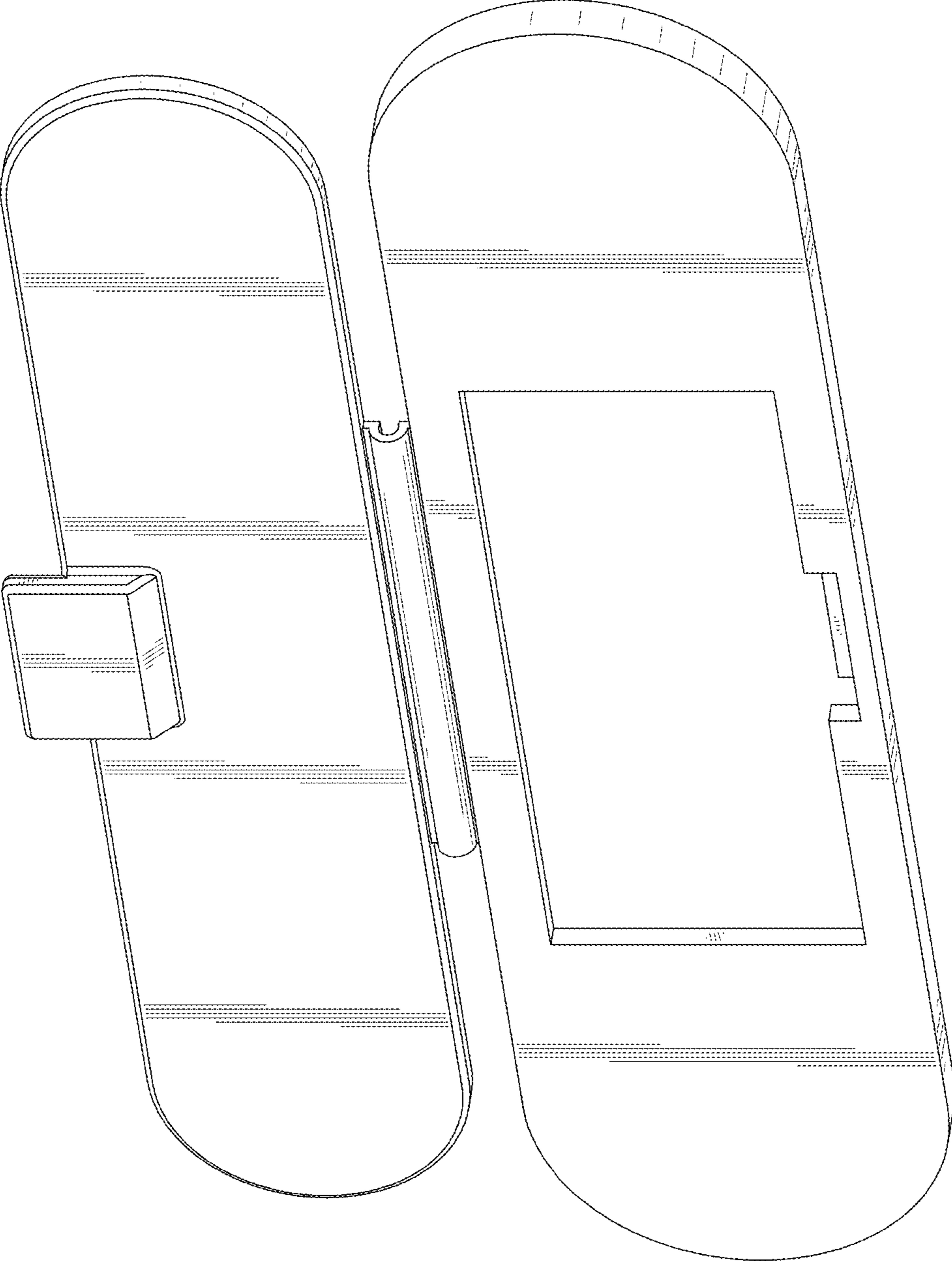


FIG. 4

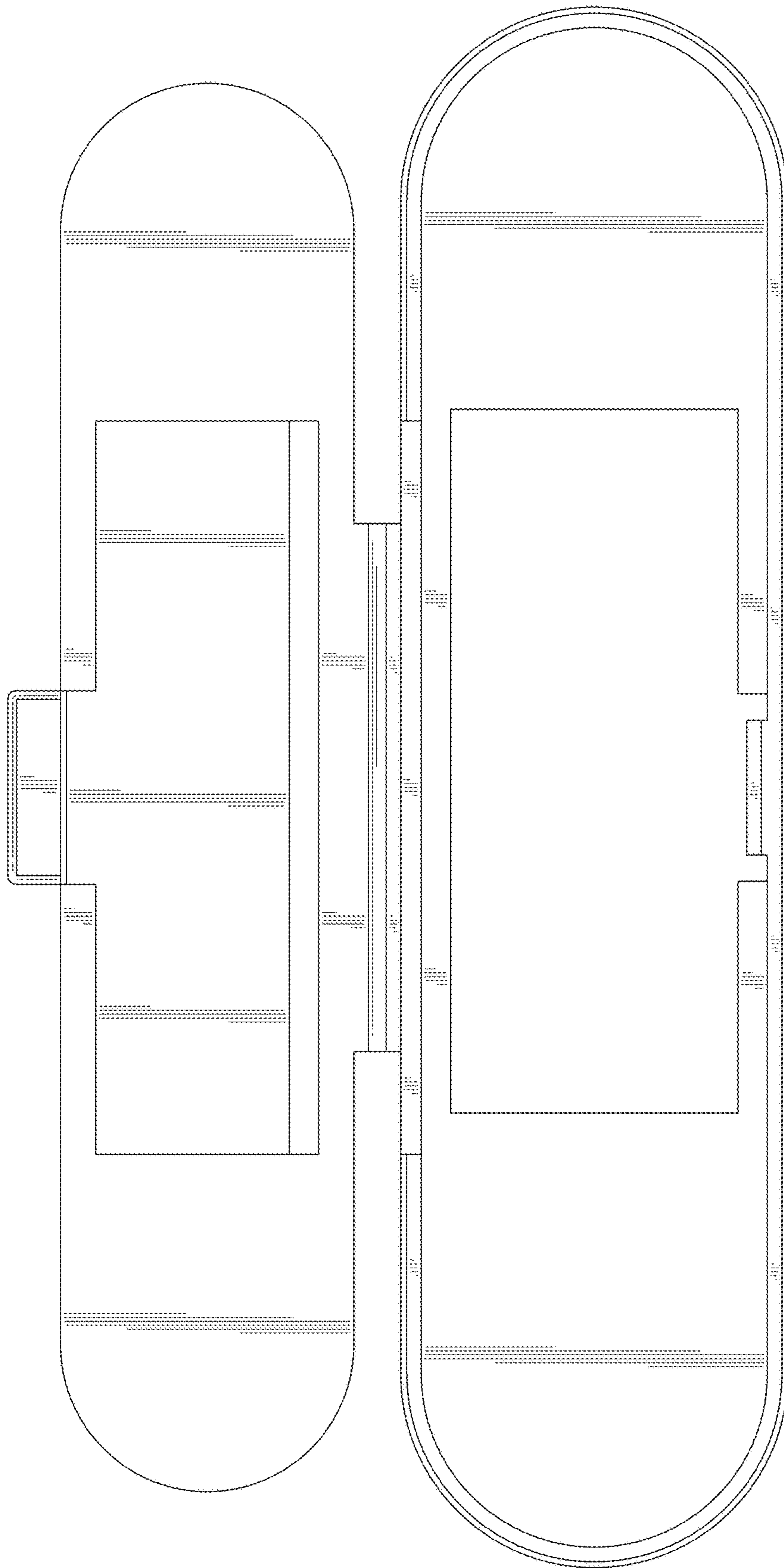


FIG. 5

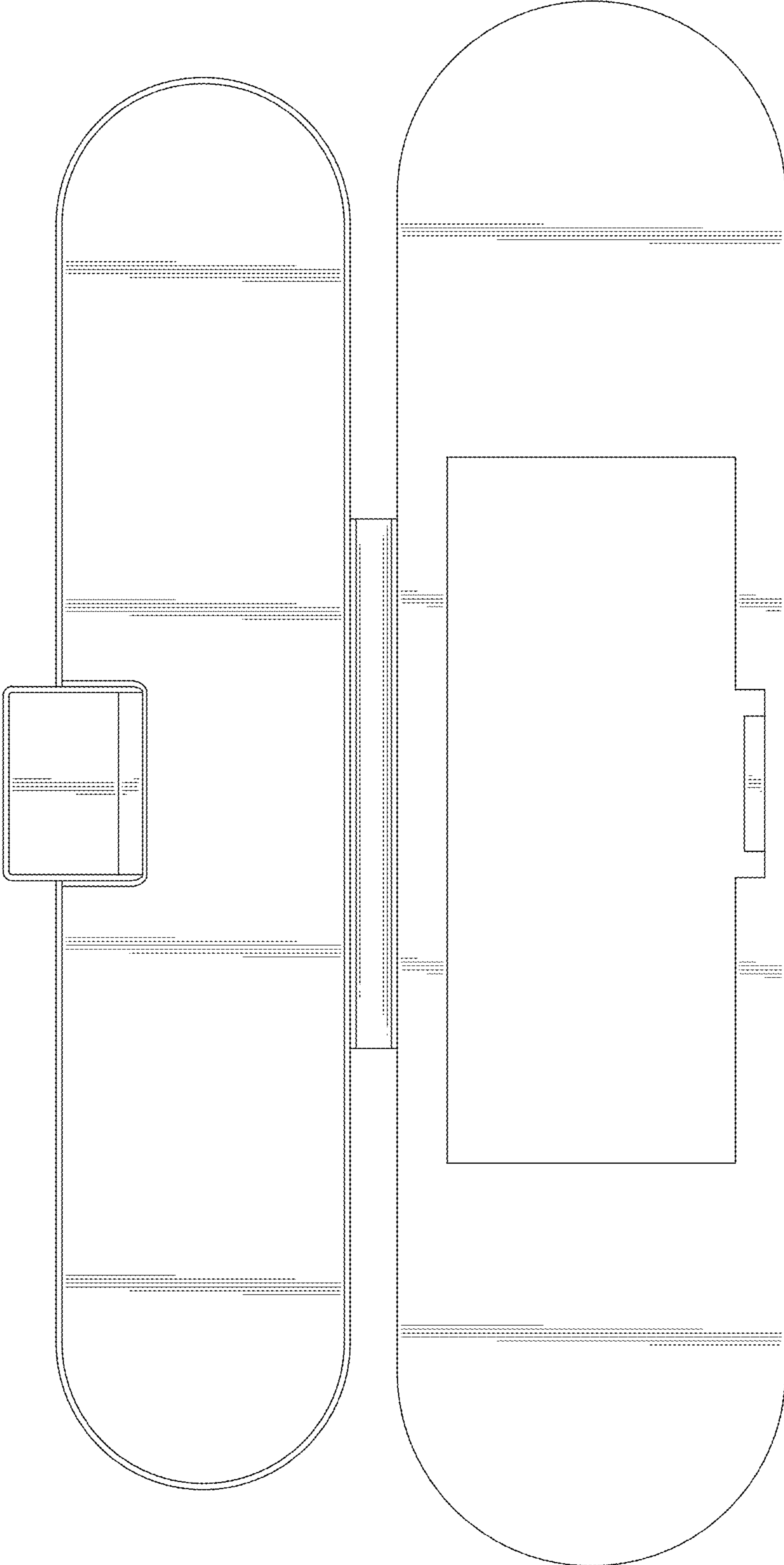


FIG. 6

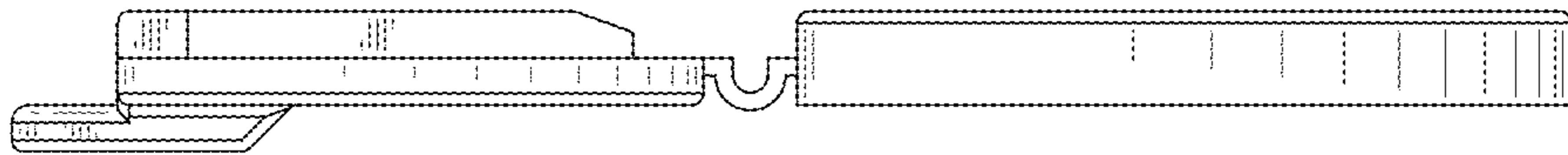


FIG. 7

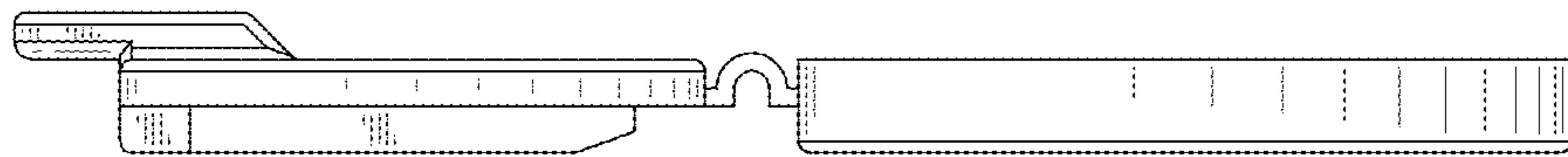


FIG. 8

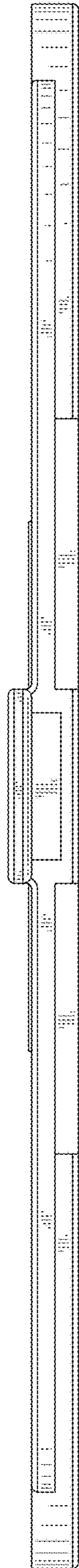


FIG. 9

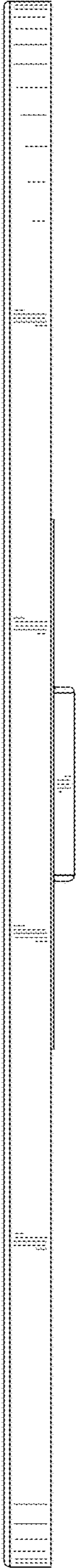


FIG. 10

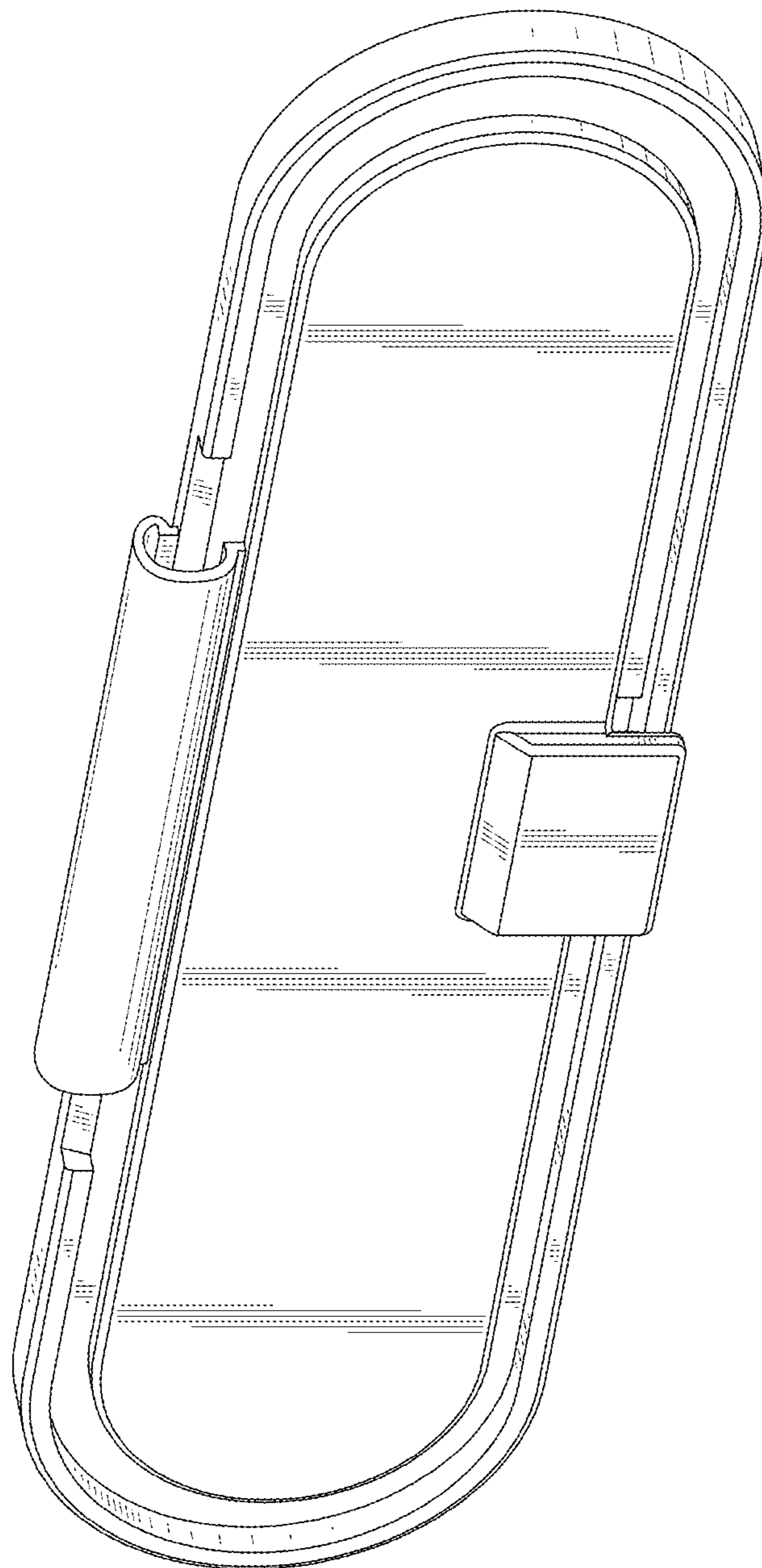


FIG. 11

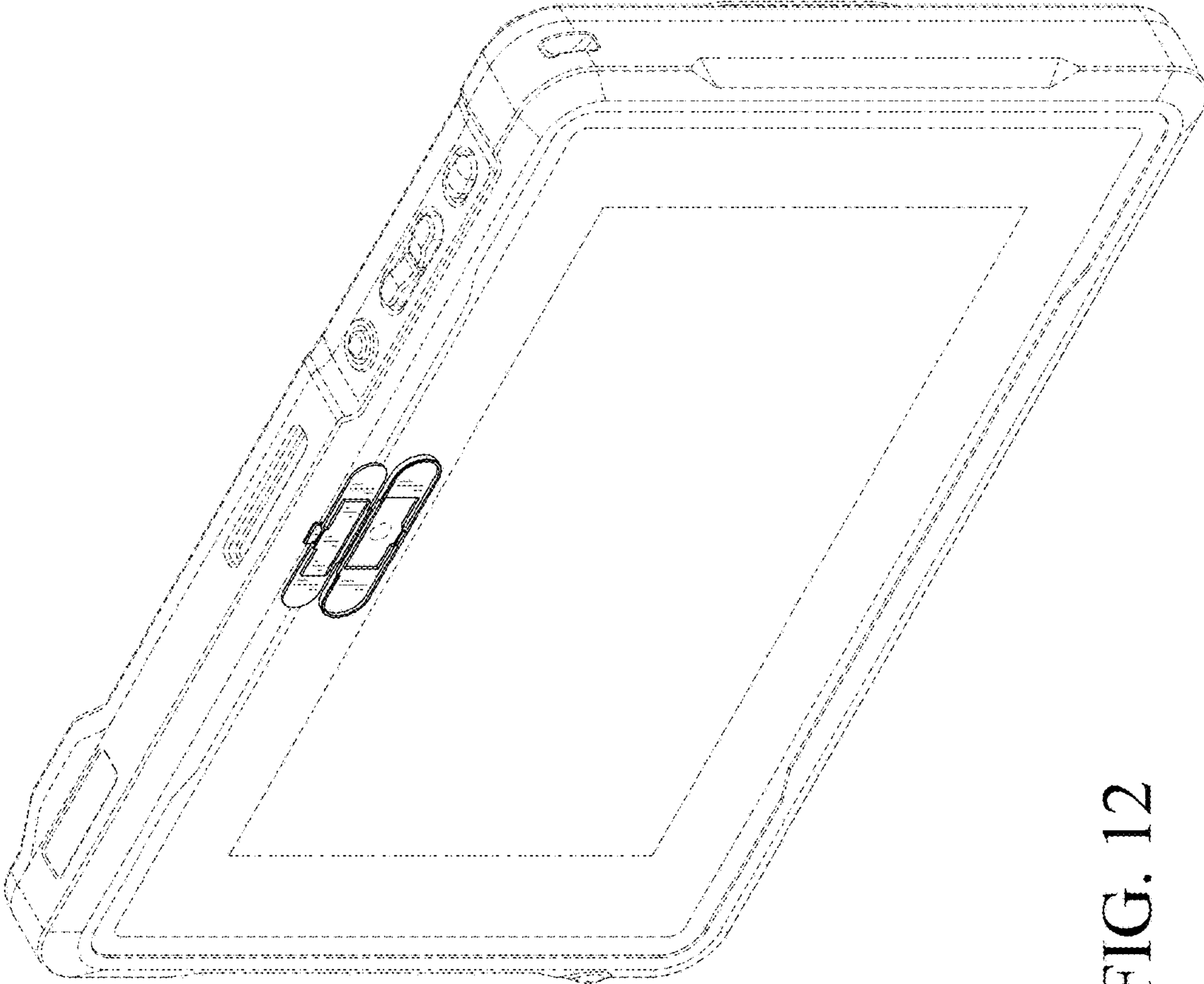


FIG. 12