



US00D859385S

(12) **United States Design Patent** (10) **Patent No.:** **US D859,385 S**  
**Webb et al.** (45) **Date of Patent:** **\*\* Sep. 10, 2019**

(54) **PICTURE FRAME SMARTPHONE CASE**

(71) Applicant: **BBY SOLUTIONS, INC.**, Richfield, MN (US)

(72) Inventors: **Bradley F. Webb**, Woodbury, MN (US); **Doug Hinds**, Santa Monica, CA (US); **Vinh Diep**, Santa Monica, CA (US); **Adelaide McGinnis**, Chanhassen, MN (US)

(73) Assignee: **BBY SOLUTIONS, INC.**, Richfield, MN (US)

(\*\*) Term: **15 Years**

(21) Appl. No.: **29/505,593**

(22) Filed: **Dec. 23, 2015**

(51) **LOC (12) Cl.** ..... **14-03**

(52) **U.S. Cl.**  
USPC ..... **D14/250**

(58) **Field of Classification Search**  
USPC ..... D3/218, 232, 233, 239, 242, 245–251, D3/269, 273, 301, 303; D13/103, 107,  
(Continued)

(56) **References Cited**

**U.S. PATENT DOCUMENTS**

D36,691 S \* 12/1903 Oldenbusch ..... D6/309  
D137,047 S \* 1/1944 Halpern ..... D19/91  
(Continued)

**OTHER PUBLICATIONS**

Custom Framing with Mat Board: Designing with Size, posting date Mar. 10, 2014, [online] [site visited Apr. 30, 2018] Available from Internet, <URL: <https://www.americanframe.com/blogs/a-good-frame-of-mind/March-2014/custom-framing-with-mat-board-designing-with-size.aspx>> (Year: 2014).\*

(Continued)

*Primary Examiner* — Susan E Krakower

*Assistant Examiner* — L. A. Grabenstetter

(74) *Attorney, Agent, or Firm* — Schwegman Lundberg & Woessner, P.A.

(57) **CLAIM**

The ornamental design for a picture frame smartphone case, as shown and described.

**DESCRIPTION**

FIG. 1 is a front perspective view of a picture frame smartphone case, showing our new design, according to a first embodiment of the new design.

FIG. 2 is a rear perspective view of the picture frame smartphone case, according to the first embodiment.

FIG. 3 is a front elevation view of the picture frame smartphone case, according to the first embodiment.

FIG. 4 is a rear elevation view of the picture frame smartphone case, according to the first embodiment.

FIG. 5 is a top plan view of the picture frame smartphone case, according to the first embodiment.

FIG. 6 is a bottom plan view of the picture frame smartphone case, according to the first embodiment.

FIG. 7 is a side elevation view of the picture frame smartphone case, according to the first embodiment.

FIG. 8 is an opposite side elevation view of the picture frame smartphone case, according to the first embodiment.

FIG. 9 is a rear perspective view of the picture frame smartphone case, depicting a photo being partially inserted into the picture frame smartphone case, according to the first embodiment.

FIG. 10 is a cross-sectional view of the picture frame smartphone case, based on the cross-sectional line 10 depicted in the rear elevation view of FIG. 4, according to the first embodiment.

FIG. 11 is a cross-sectional view of the picture frame smartphone case, based on the cross-sectional line 11 depicted in the rear elevation view of FIG. 4, according to the first embodiment.

FIG. 12 is another rear elevation view of the picture frame smartphone case, showing our new design, according to a second embodiment of the new design.

(Continued)

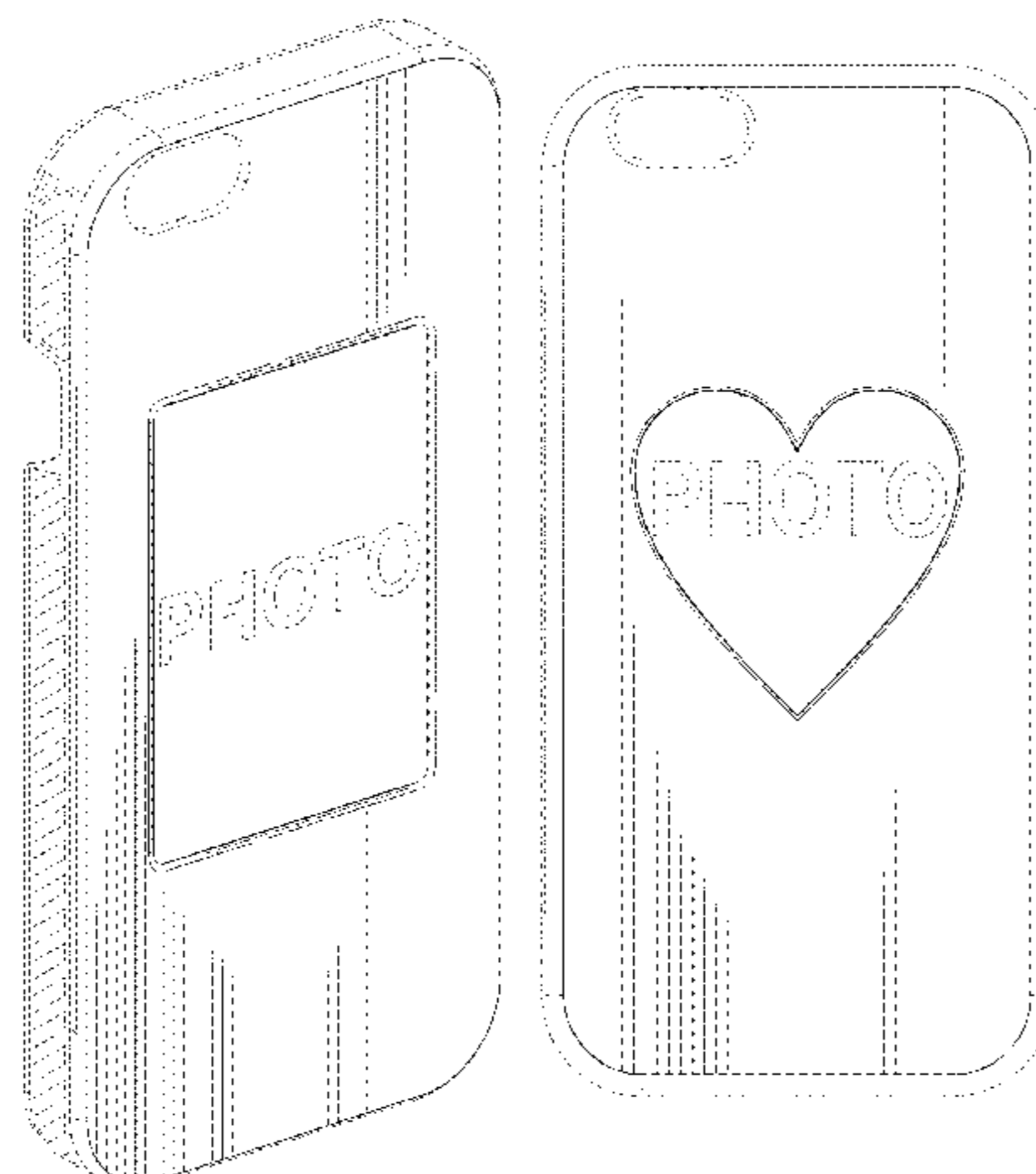


FIG. 13 is another rear elevation view of the picture frame smartphone case, showing our new design, according to a third embodiment of the new design; and, FIG. 14 is another rear elevation view of the picture frame smartphone case, showing our new design, according to a fourth embodiment of the new design. The subject matter shown in broken lines depicts portions of the photo frame smartphone case that form no part of the claimed design.

**1 Claim, 11 Drawing Sheets**

(58) **Field of Classification Search**

USPC ..... D13/108, 119; D11/132; D14/137, D14/138 R, 138 AA, 138 C, 138 G, D14/203.3–203.7, 217, 238.1, 247, 248, D14/250, 251–253, 440; D6/300, 303, D6/309, 310  
 CPC ..... H04B 1/3888; H04M 1/0283; H04M 1/0202; A45C 1/06; A45C 2011/002; A45C 11/00; A45F 2005/028; A45F 2200/0525

See application file for complete search history.

(56) **References Cited**

U.S. PATENT DOCUMENTS

D278,666	S	*	5/1985	McCartin	.....	D6/300
D278,865	S	*	5/1985	McCaffrey	.....	D6/300
D317,679	S	*	6/1991	LaRochelle	.....	D11/133
D321,491	S	*	11/1991	Stagl	.....	D11/132
D354,455	S	*	1/1995	Hosker	.....	D11/132
D420,810	S	*	2/2000	Mounsey	.....	D6/300
D427,440	S	*	7/2000	Rowan	.....	D6/300
D471,366	S	*	3/2003	Park	.....	D6/300
D504,575	S	*	5/2005	McDaniel	.....	D6/309
D527,533	S	*	9/2006	Schaefer	.....	D6/300
D529,746	S	*	10/2006	Soleymani	.....	D6/601
D551,856	S	*	10/2007	Ko	.....	D3/201
D601,815	S	*	10/2009	Demcher	.....	D6/309
D615,078	S	*	5/2010	Bradley	.....	D14/250
D618,463	S	*	6/2010	Nagase	.....	D6/300
D619,130	S	*	7/2010	Fellig	.....	D14/250
D631,246	S		1/2011	Boettner		
D645,261	S	*	9/2011	Puskas	.....	D6/303
D677,249	S	*	3/2013	Li	.....	D14/250

D679,270	S	*	4/2013	Eicher	.....	D14/250
D685,779	S	*	7/2013	Schriefer	.....	D14/250
D688,653	S	*	8/2013	Wynn	.....	D14/250
D701,265	S	*	3/2014	Greenhalgh	.....	D19/113
D703,651	S	*	4/2014	Ehrlich	.....	D14/250
D724,785	S	*	3/2015	Frederick	.....	D14/250

OTHER PUBLICATIONS

Mat Cutting and Framing Tutorial for Photographers and Artists, earliest verifiable date Aug. 30, 2014, [site visited Apr. 30, 2018] Available from Internet, <URL: <http://crawfordphotoschool.com/framing/index.php>> (Year: 2014).\*

Cool Polaroid Picture Frame and Mirror, posting date Aug. 24, 2011, [site visited Apr. 30, 2018] Available from Internet, <URL: <https://mymodernmet.com/polaroid-picture-frame-and-mirror/>> (Year: 2011).\*

“3D Luxe DIY Photo-Frame Case for iPhone 5/5s”, [online]. © 2016 Groupon, Inc. [retrieved on Jan. 26, 2016]. Retrieved from the Internet: <URL: <https://www.groupon.com/deals/gg-3d-luxe-diy-photo-frame-case-for-iphone-55s-2>>, (2016), 3 pgs.

“iPhone 5/5s Photo Frame Cases”, [online]. © 2011 3Dluxe.com. [retrieved on Jan. 26, 2016]. Retrieved from the Internet: <URL: <http://www.3dluxe.com/diy-iphone-5-5s-photo-frame-cover-cases.html?>>, (2011), 2 pgs.

“My Sweetheart iPhone 4/4s Photo Cell Phone Insert”, [online]. © 1996-2016 PersonalizationMall.com. [retrieved on Jan. 26, 2016]. Retrieved from the Internet: <URL: <http://www.personalizationmall.com/Personalized-Photo-iPhone-4-Case-Insert-My-Sweetheart-i39653.item?productid=14886>>, (2016), 3 pgs.

“Picture Frame Smartphone Cases”, [online]. © 2014 Trend Hunter Inc. [retrieved on Jan. 26, 2016]. Retrieved from the Internet: <URL: <http://www.trendhunter.com/trends/picture-iphone-case>, (2014), 45 pgs.

“PixCase—iPhone 6”, [online]. © 2011 Cottage Mills LLC. [retrieved on Jan. 26, 2016]. Retrieved from the Internet: <URL: <http://www.jaymo.co/shop/products/photo-gifts/pixcase/pixcase-iphone6.html>>, (2011), 1 pg.

“Speck® CandyShell Card iPhone 6s & iPhone 6 Cases”, [online]. © 2016 Samsonite IP Holdings S.A.R.L. [retrieved on Jan. 26, 2016]. Retrieved from the Internet: <URL: <http://www.speckproducts.com/apple/iphone-cases/iphone-6-cases/candyshell-card-iphone-6-cases/IP6-CS-CARD.html>>, (2016), 5 pgs.

“U.S. Appl. No. 29/505,563, Non Final Office Action dated May 8, 2018”, 11 pgs.

“U.S. Appl. No. 29/505,563, Preliminary Amendment filed Jan. 25, 2016”, 3 pgs.

\* cited by examiner

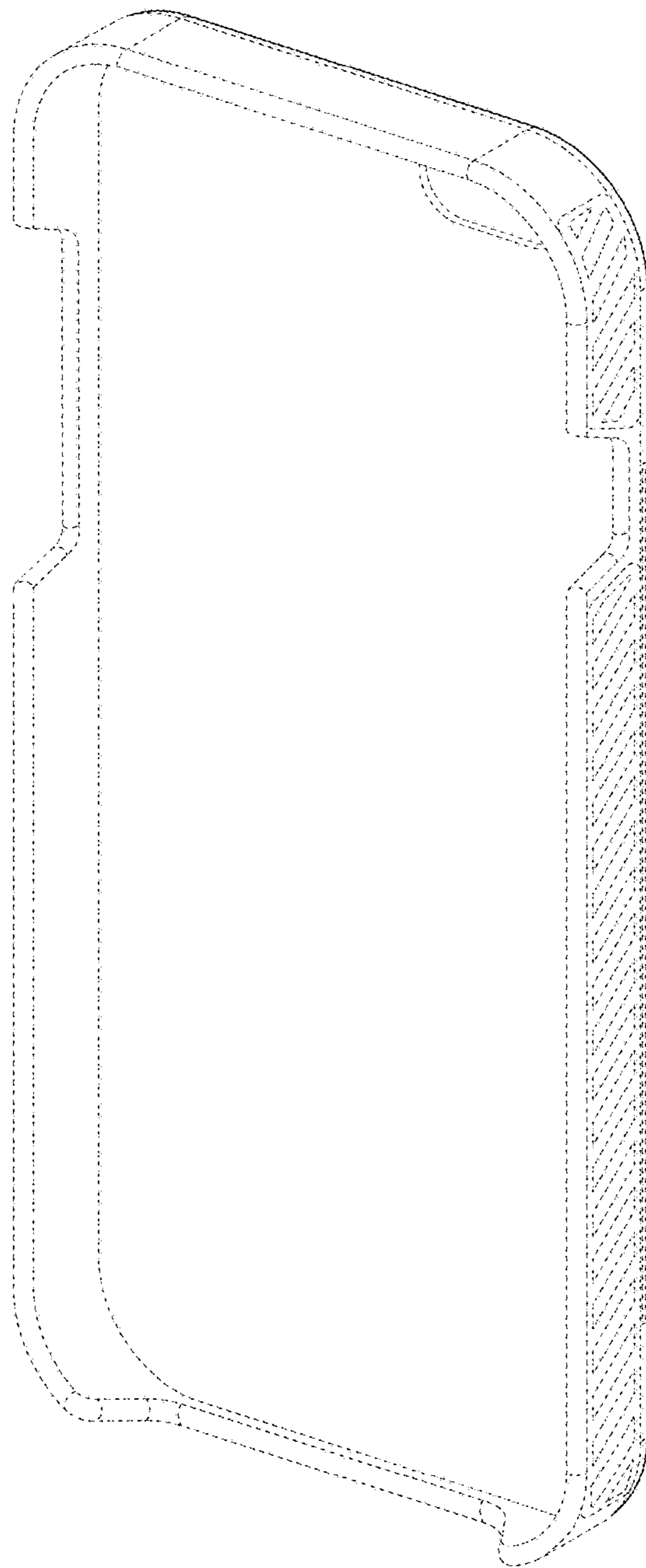


FIG. 1

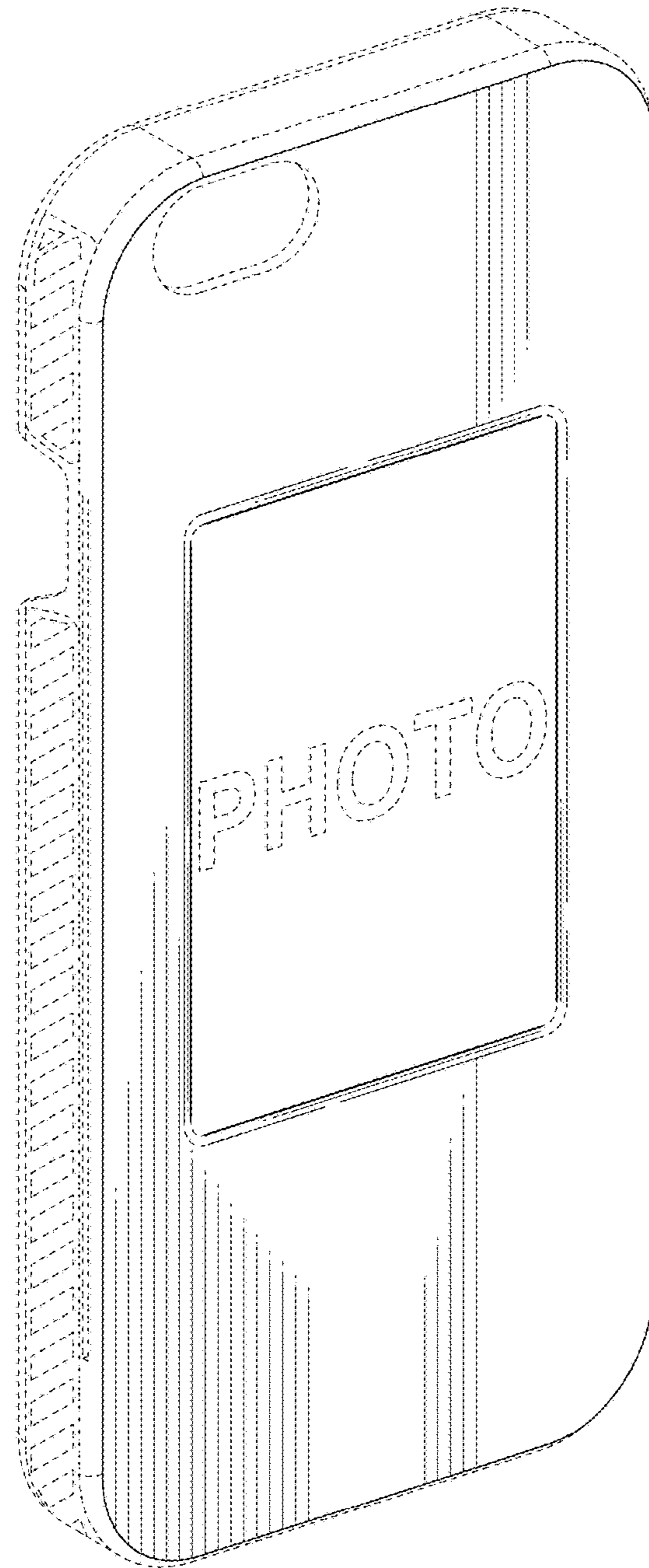


FIG. 2

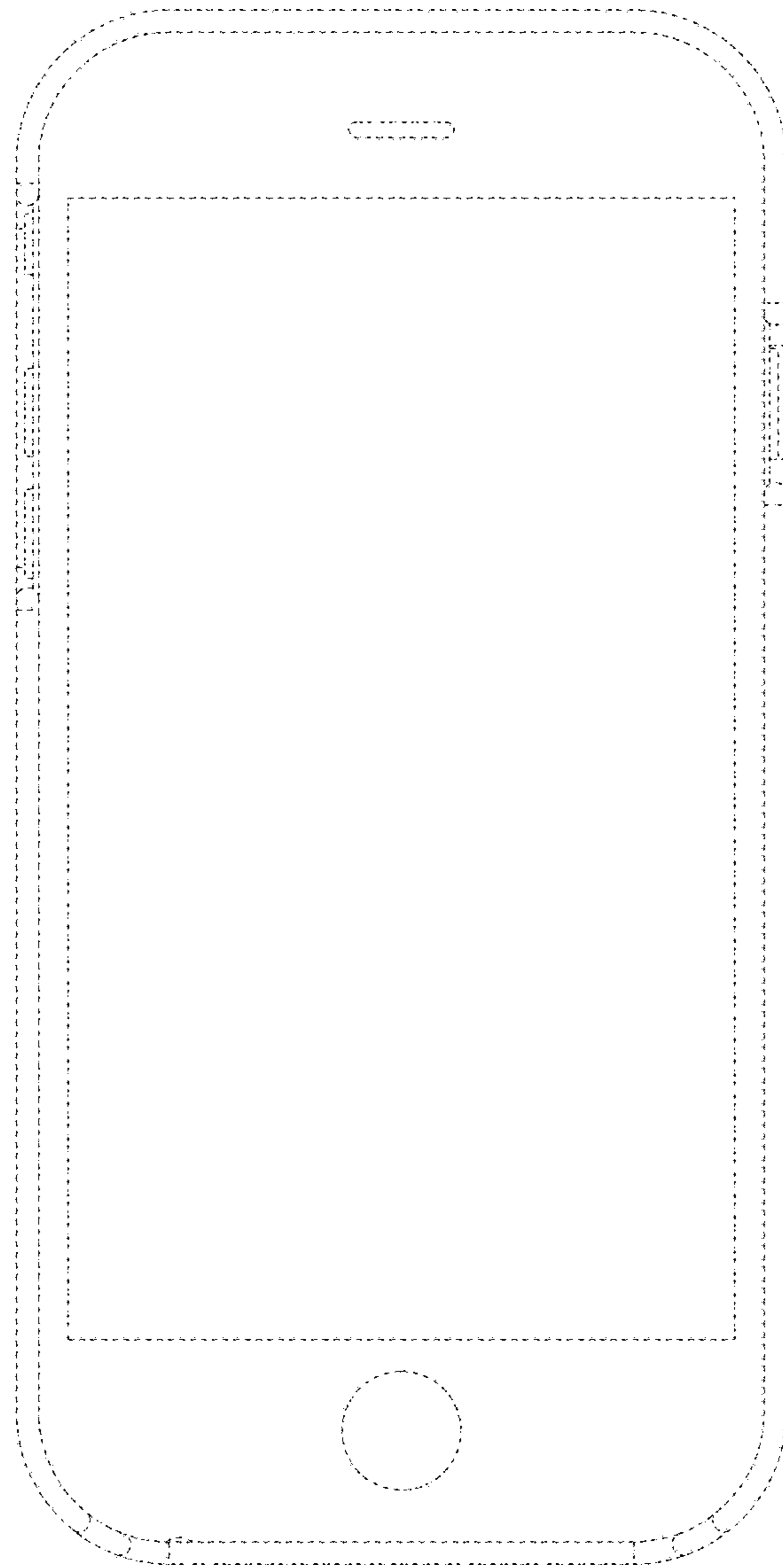


FIG. 3

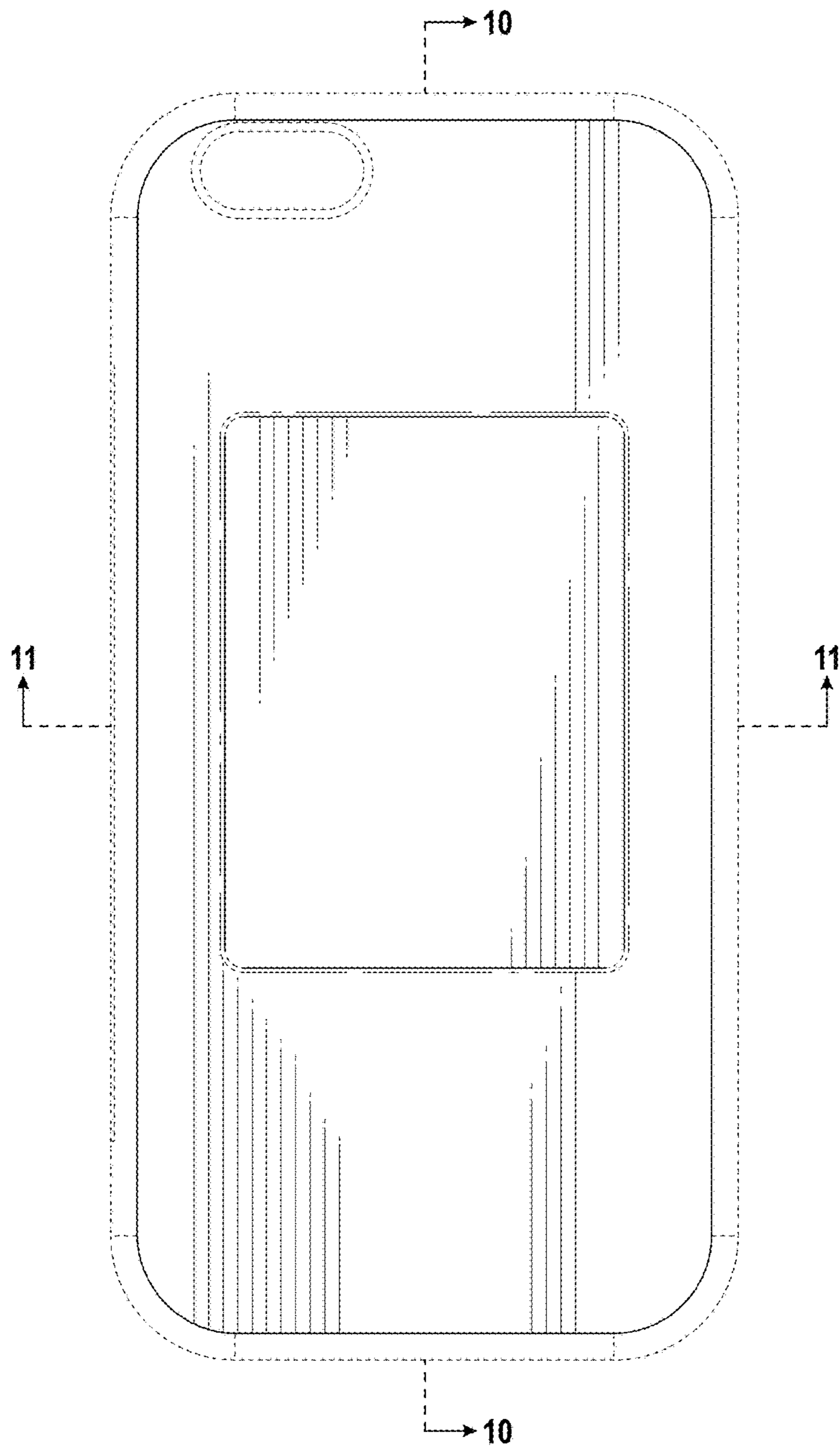


FIG. 4

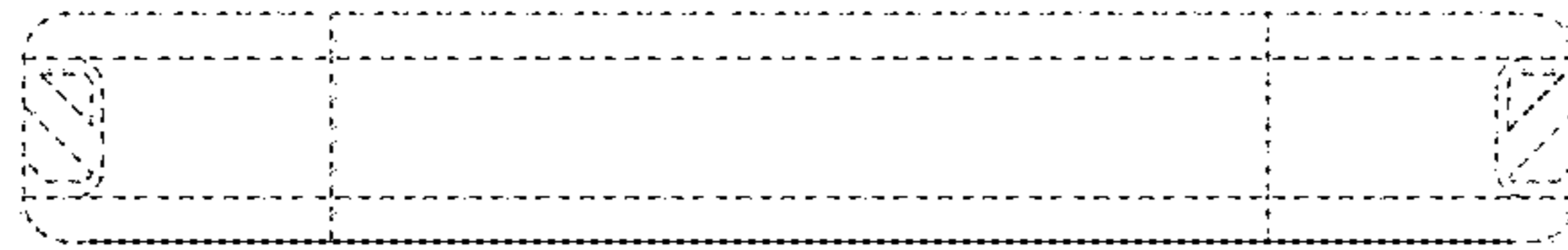


FIG. 5

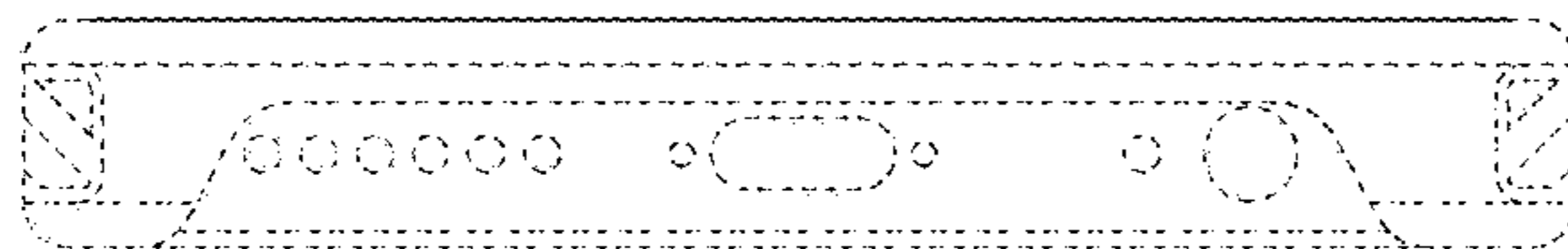


FIG. 6

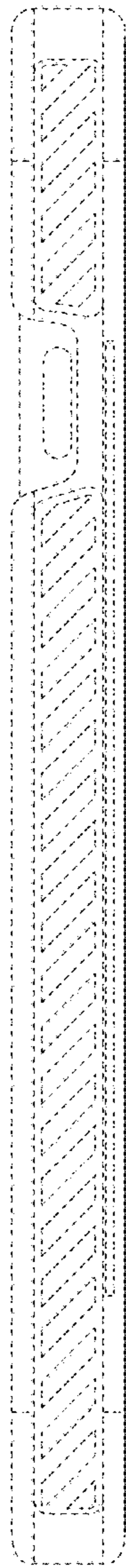


FIG. 7

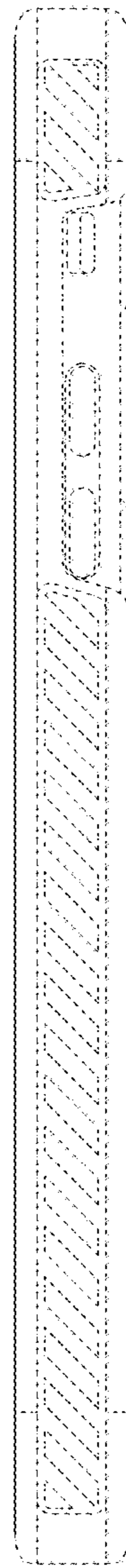


FIG. 8



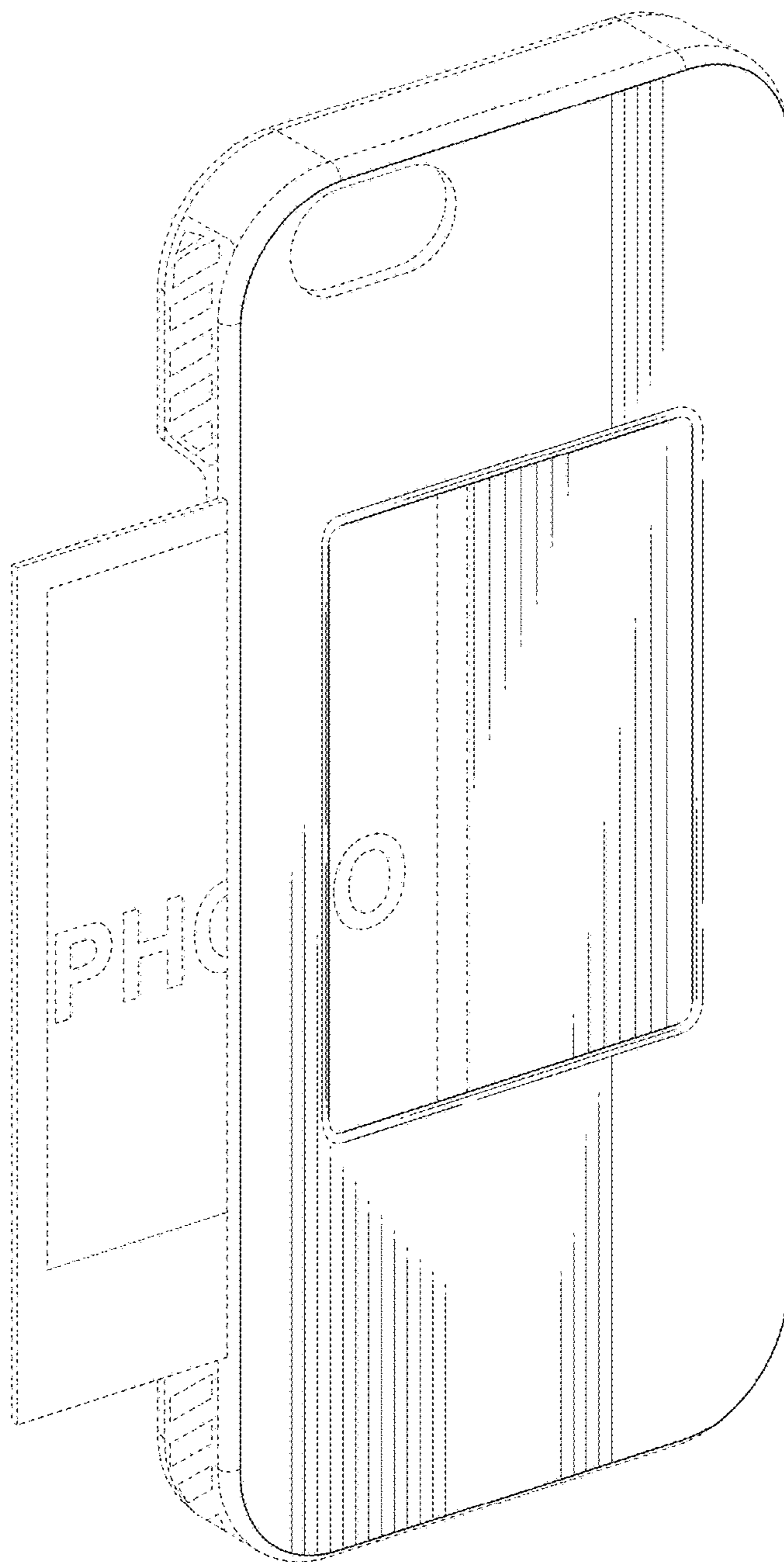


FIG. 9

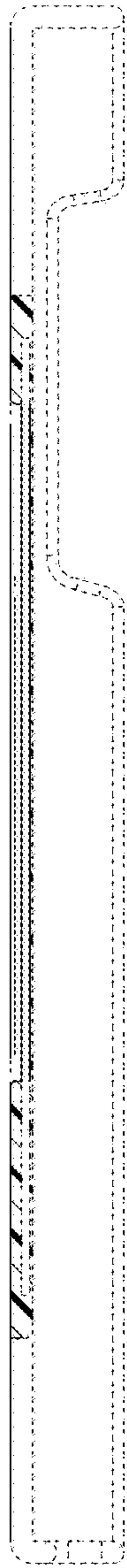


FIG. 10

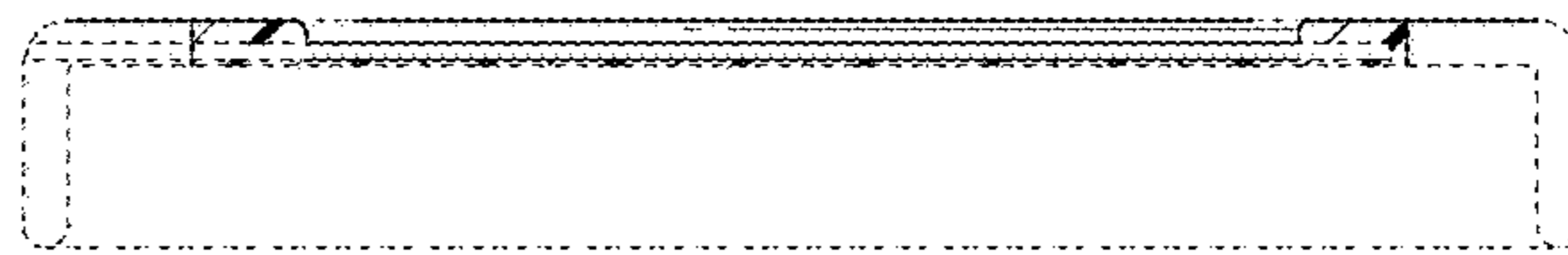


FIG. 11

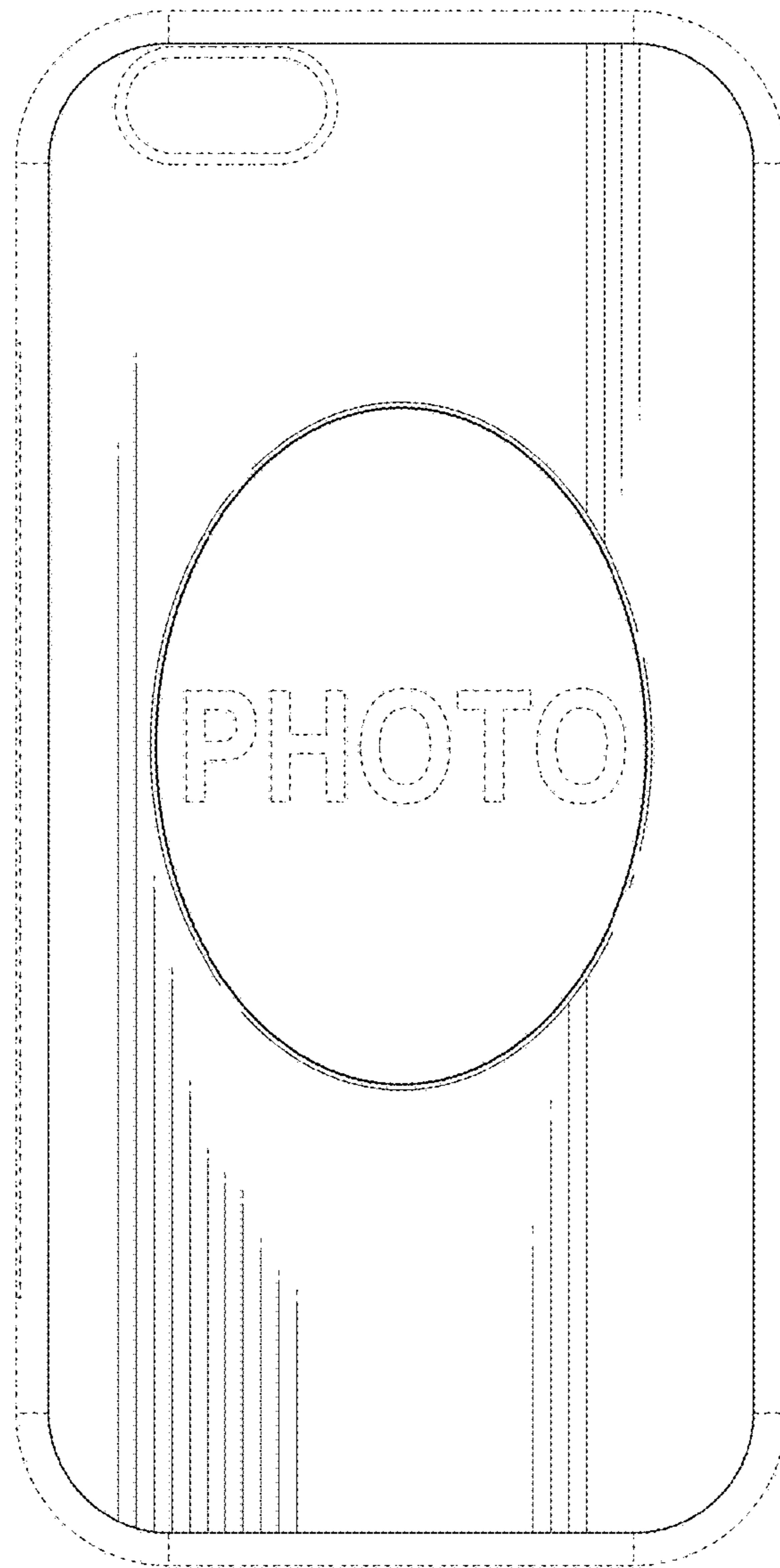


FIG. 12

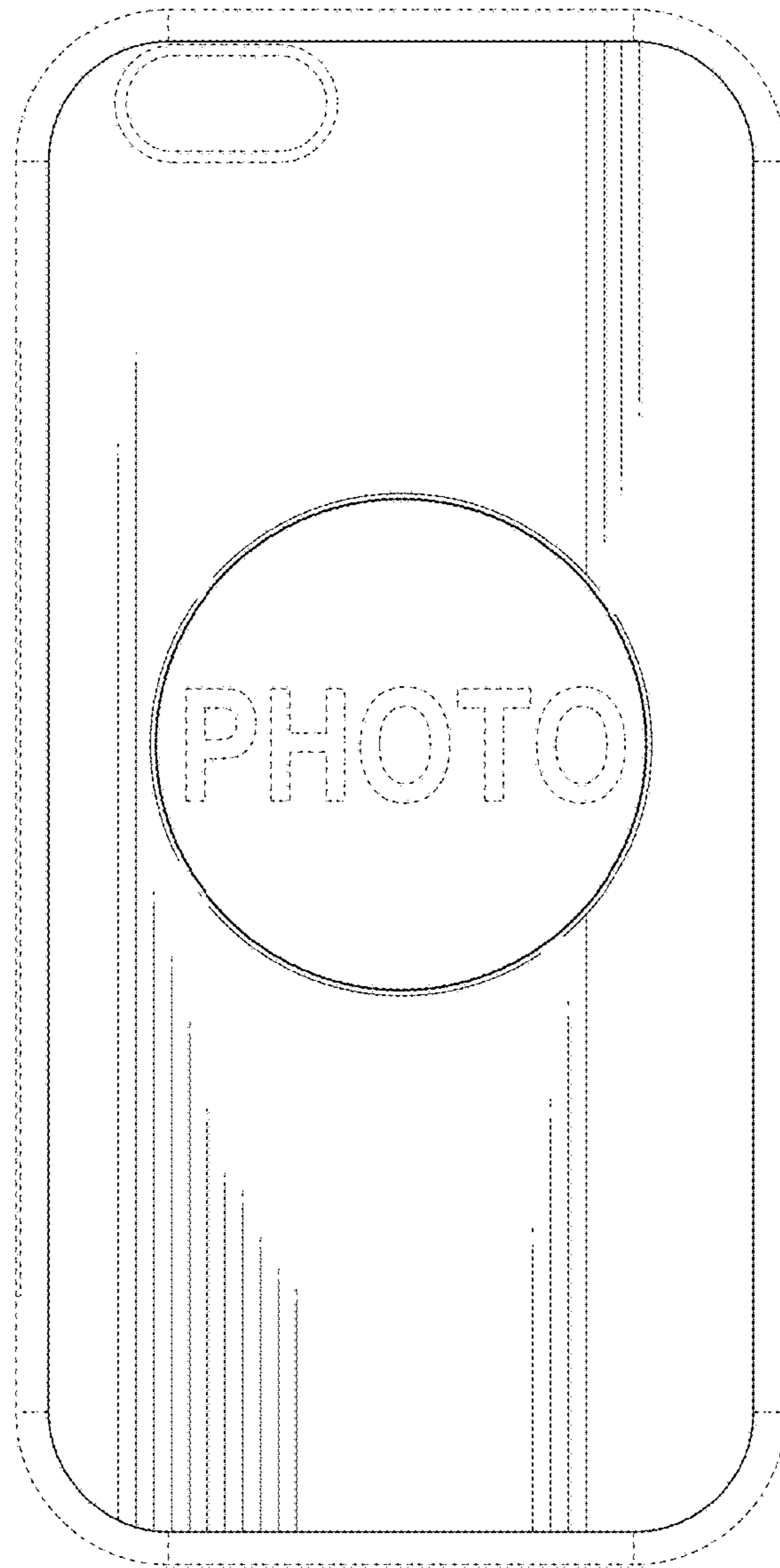


FIG. 13

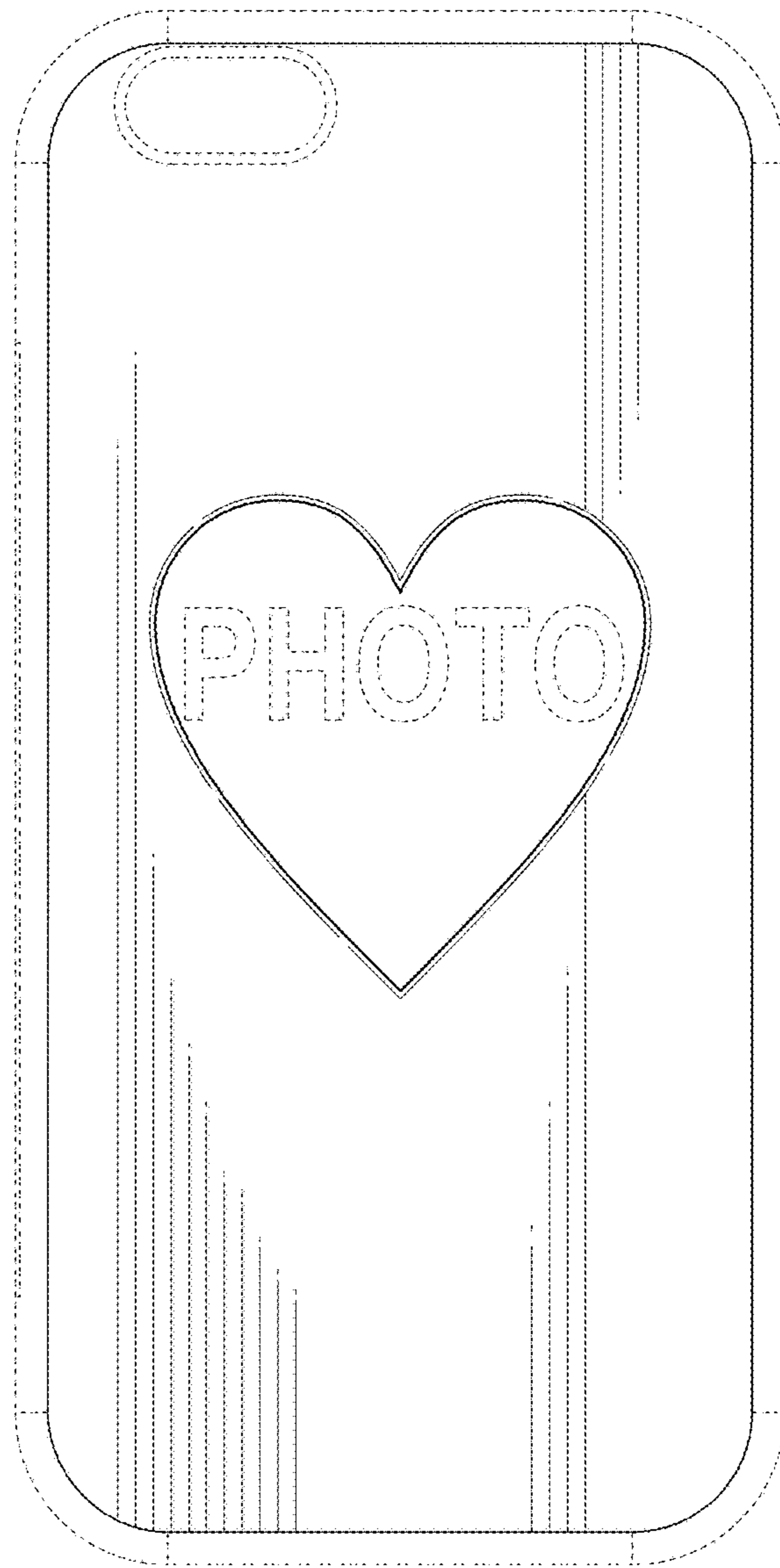


FIG. 14