



US00D859381S

(12) **United States Design Patent**
Lin

(10) **Patent No.:** **US D859,381 S**

(45) **Date of Patent:** **** *Sep. 10, 2019**

(54) **MOBILE PHONE**

(71) Applicant: **Guangdong Oppo Mobile Telecommunications Corp., Ltd.**, Dongguan, Guangdong (CN)

(72) Inventor: **Yugui Lin**, Guangdong (CN)

(73) Assignee: **Guangdong Oppo Mobile Telecommunications Corp., Ltd.**, Dongguan (CN)

(*) Notice: This patent is subject to a terminal disclaimer.

(**) Term: **15 Years**

(21) Appl. No.: **29/624,434**

(22) Filed: **Nov. 1, 2017**

(30) **Foreign Application Priority Data**

May 4, 2017 (CN) 2017 3 0160137

(51) **LOC (12) Cl.** **14-03**

(52) **U.S. Cl.**
USPC **D14/248**

(58) **Field of Classification Search**
USPC D14/138 AB, 138 C, 248; D3/225, 230, D3/231, 232, 242, 243, 251; D13/183; D11/220

(Continued)

(56) **References Cited**

U.S. PATENT DOCUMENTS

5,004,425 A 4/1991 Hee
D401,889 S 12/1998 Wong et al.

(Continued)

OTHER PUBLICATIONS

B8706 Antique Brass, Oval Magnetic Closure, Zinc, reviewed Dec. 30, 2018, [online], [retrieved on Feb. 5, 2019]. Retrieved from

Internet, <URL: <https://www.buckleGuy.com/b8706-antique-brass-oval-magnetic-closure-zinc/>>.*

Primary Examiner — Bridget L Eland

(74) *Attorney, Agent, or Firm* — Young Basile Hanlon & MacFarlane, P.C.

(57) **CLAIM**

The ornamental design for a mobile phone, as shown and described.

DESCRIPTION

FIG. 1 is a front view of the mobile phone in an unfolded state showing my new design.

FIG. 2 is a rear view of the mobile phone of FIG. 1.

FIG. 3 is a left side view of the mobile phone of FIG. 1.

FIG. 4 is a right side view of the mobile phone of FIG. 1.

FIG. 5 is a top view of the mobile phone of FIG. 1.

FIG. 6 is a bottom view of the mobile phone of FIG. 1.

FIG. 7 is a left front perspective view of the mobile phone of FIG. 1.

FIG. 8 is a right, front and bottom perspective view of the mobile phone of FIG. 1.

FIG. 9 is a front view of the mobile phone of FIG. 1 in a semi folded state.

FIG. 10 is a top front perspective view of the mobile phone of FIG. 1 in the semi folded state.

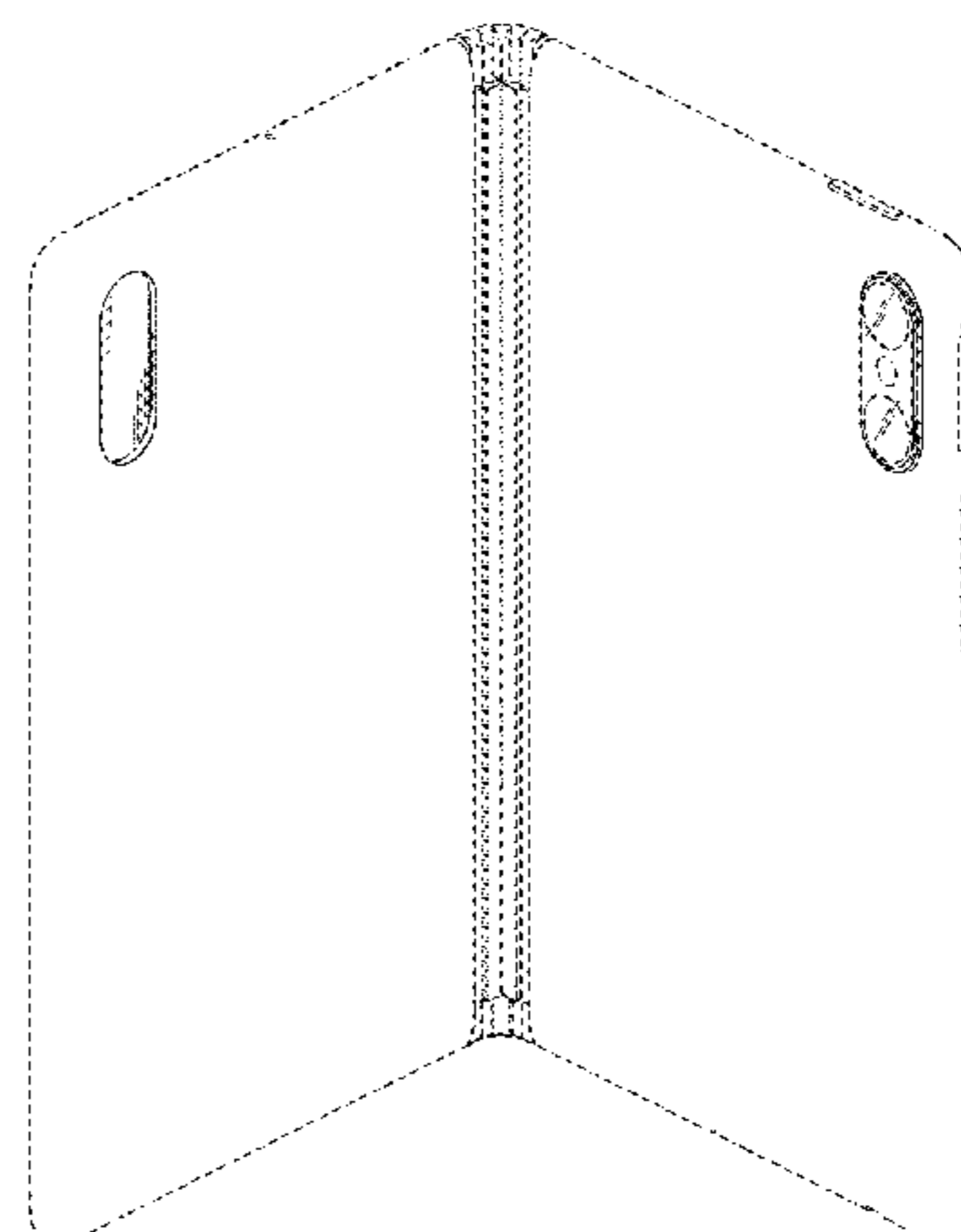
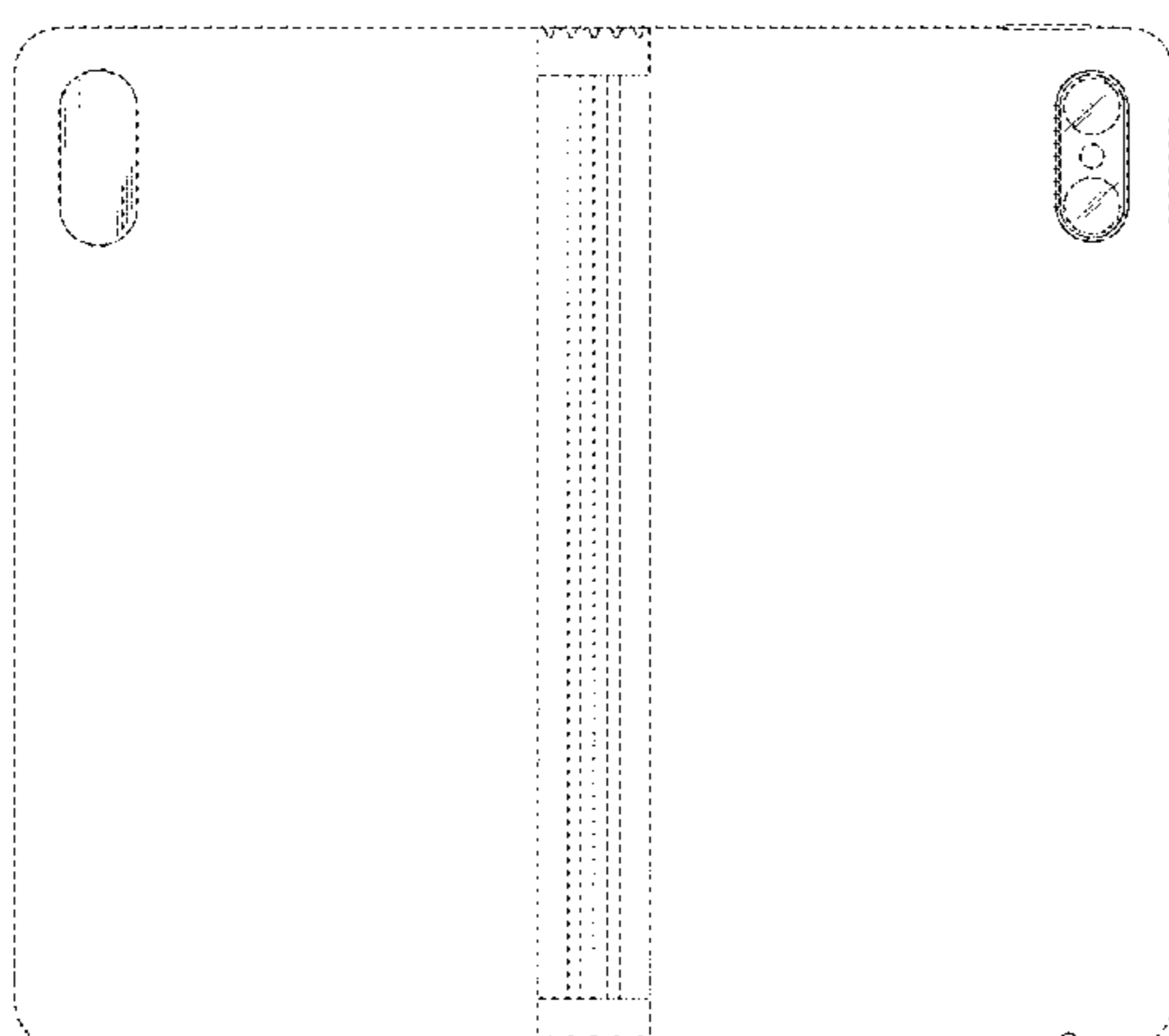
FIG. 11 is a top view of the mobile phone of FIG. 1 in a folded state; and,

FIG. 12 is a top rear perspective view of the mobile phone of FIG. 1 in the folded state.

The shade lines in the figures show contour.

The broken lines that are immediately adjacent to the claimed design represent the bounds of the claimed design, while all other broken lines, showing the remainder of the mobile phone, are directed to environment and are for illustrative purposes only; the broken lines form no part of the claimed design. In addition, the unshaded surfaces in FIGS. 1 and 7-10 that directly adjoin the outermost claimed solid line edges form no part of the claimed design.

(Continued)



The design includes the ornamental features of a mobile phone as shown and described.

1 Claim, 9 Drawing Sheets

(58) Field of Classification Search

CPC H04M 1/0202; H04M 1/0235; H04M 1/0237; H04M 1/0239; H04M 1/0266; H04M 1/0268; H04M 1/027; H04M 1/0295

See application file for complete search history.

(56) References Cited

U.S. PATENT DOCUMENTS

D432,400	S	10/2000	Chan	
D450,625	S	11/2001	Khromachou	
D488,469	S	4/2004	Batsikas	
D521,023	S	5/2006	Kim et al.	
D533,344	S	12/2006	Lim	
D533,531	S	12/2006	Hyun et al.	
D546,313	S	7/2007	Lheem	
D561,782	S	2/2008	Kim	
D602,488	S	10/2009	Jiang et al.	
D639,261	S *	6/2011	Garnham	D14/138 G
D639,771	S	6/2011	Chen	
D681,032	S	4/2013	Akana et al.	
D693,323	S	11/2013	Kawase et al.	
8,575,887	B1	11/2013	Pomare	
D712,888	S *	9/2014	Fujimura	D14/248
D714,244	S *	9/2014	Lee	D14/138 AB
D756,948	S *	5/2016	Kim	D14/138 G
D756,949	S *	5/2016	Kim	D14/138 G
D767,522	S *	9/2016	Wu	D14/138 G
D767,525	S *	9/2016	Byun	D14/138 AB

D769,209	S	10/2016	Byun et al.	
D778,253	S *	2/2017	Kwak	D14/138 AB
D778,866	S *	2/2017	Lee	D14/138 AB
D790,535	S *	6/2017	Akana	D14/341
D795,826	S *	8/2017	Yoon	D14/138 AB
D796,469	S	9/2017	Jin	
D798,257	S *	9/2017	Choo	D14/138 AB
D798,260	S	9/2017	Seo et al.	
D800,716	S	10/2017	Akana et al.	
D802,571	S *	11/2017	Fan	D14/248
D803,209	S *	11/2017	Akana	D14/341
D806,705	S *	1/2018	Akana	D14/341
D810,726	S	2/2018	Chou et al.	
D813,214	S *	3/2018	Fan	D14/248
D814,455	S *	4/2018	Kwon	D14/341
D820,255	S *	6/2018	Akana	D14/341
D825,556	S	8/2018	Akana et al.	
D831,016	S	10/2018	Choe et al.	
D831,626	S	10/2018	Choe et al.	
D833,409	S	11/2018	Park et al.	
D834,553	S *	11/2018	Depape	D14/138 G
D837,759	S	1/2019	Park et al.	
D839,232	S *	1/2019	Itou	D14/138 AB
2003/0125094	A1	7/2003	Hyun et al.	
2008/0041897	A1	2/2008	Malhotra	
2013/0341978	A1	12/2013	Perez	
2014/0091116	A1	4/2014	Yu	
2014/0373985	A1 *	12/2014	Pace	A45C 3/001 150/105
2016/0058147	A1	3/2016	Bemis	
2016/0155967	A1 *	6/2016	Lee	H01L 51/5281 257/88
2016/0165027	A1 *	6/2016	Hahn	H04B 1/38 455/566
2017/0062974	A1 *	3/2017	Daoura	H01R 13/6205
2018/0198298	A1 *	7/2018	Stanimirovic	H02J 7/0044
2019/0020830	A1 *	1/2019	Zhou	G06K 9/209

* cited by examiner

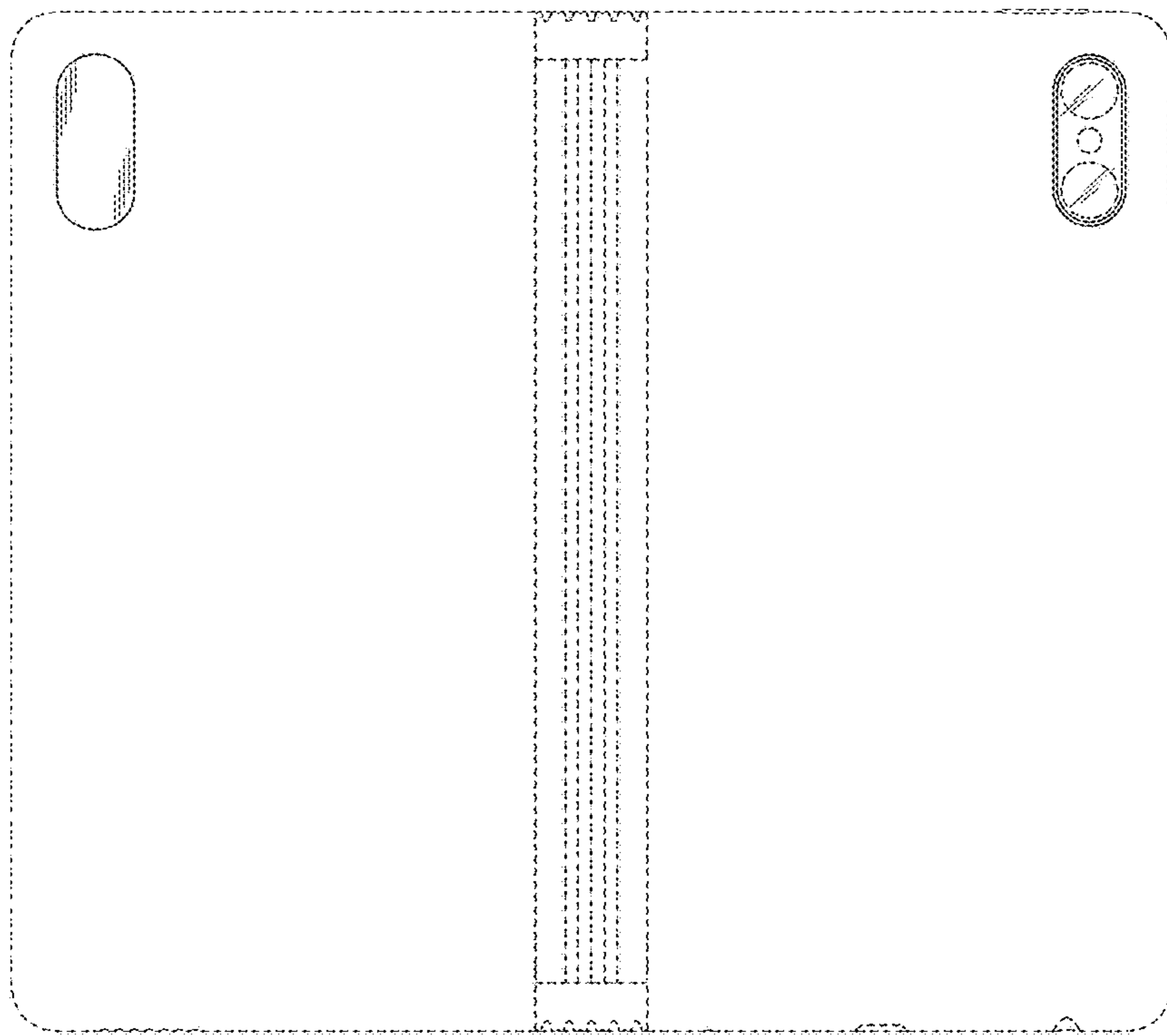


FIG. 1



FIG. 2

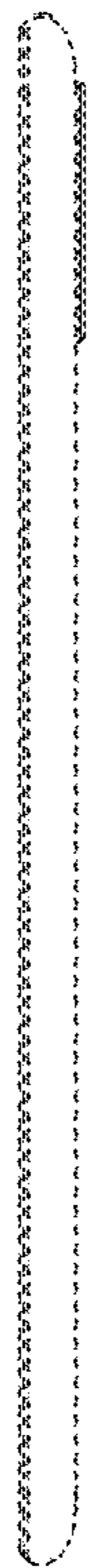


FIG. 3

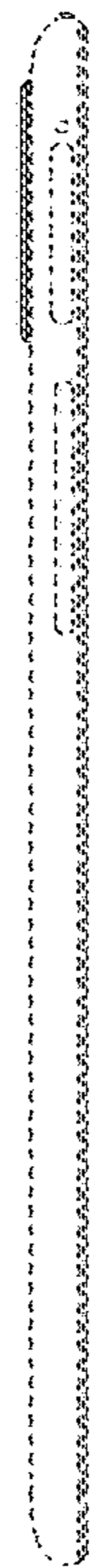


FIG. 4

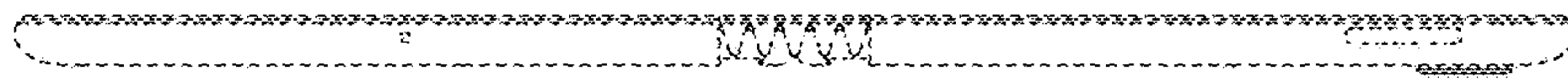


FIG. 5

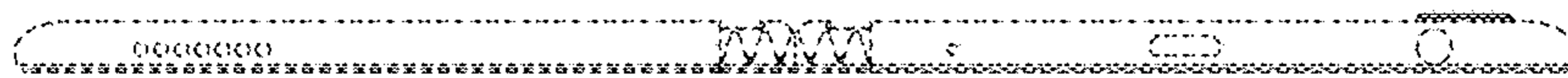


FIG. 6

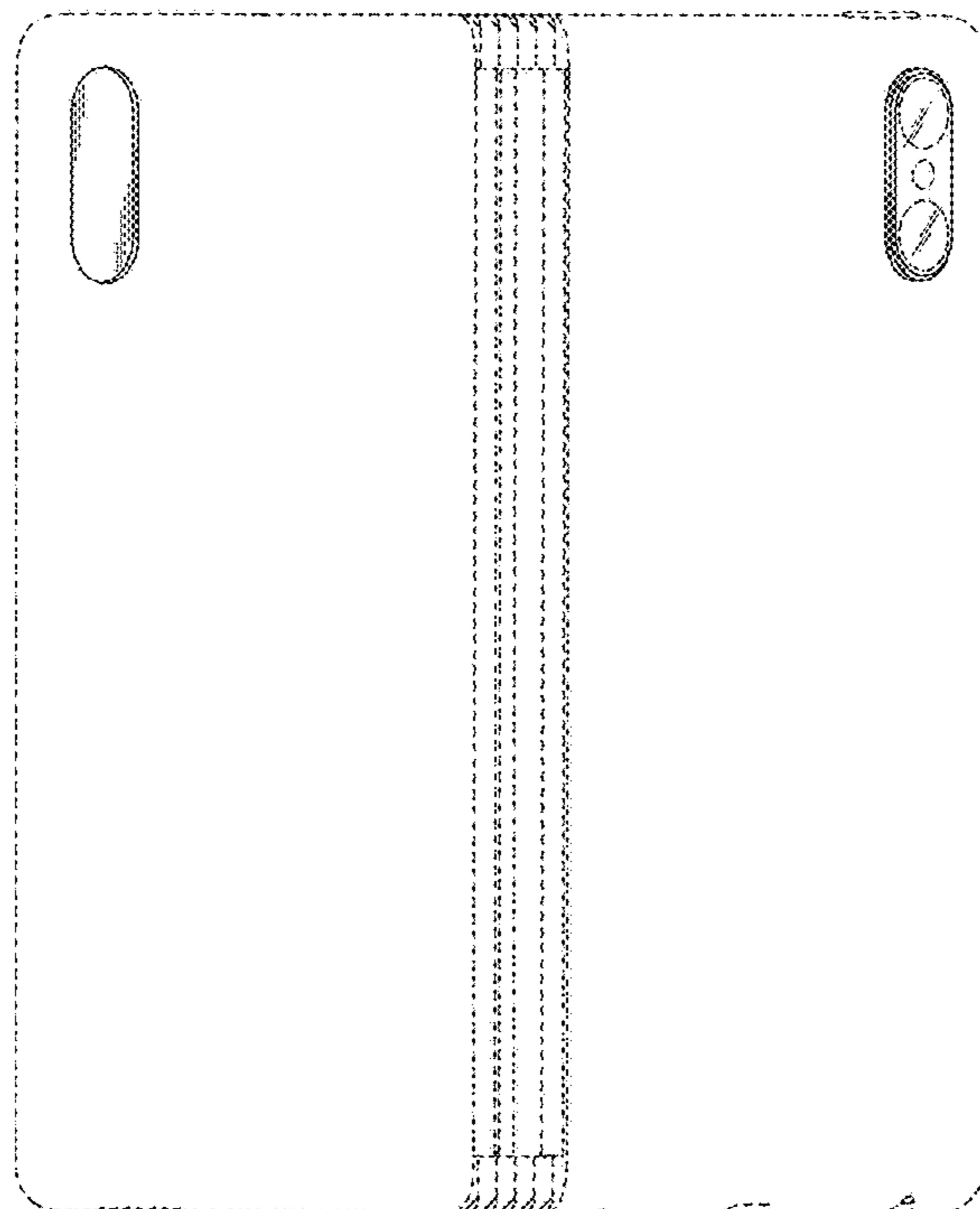


FIG. 7

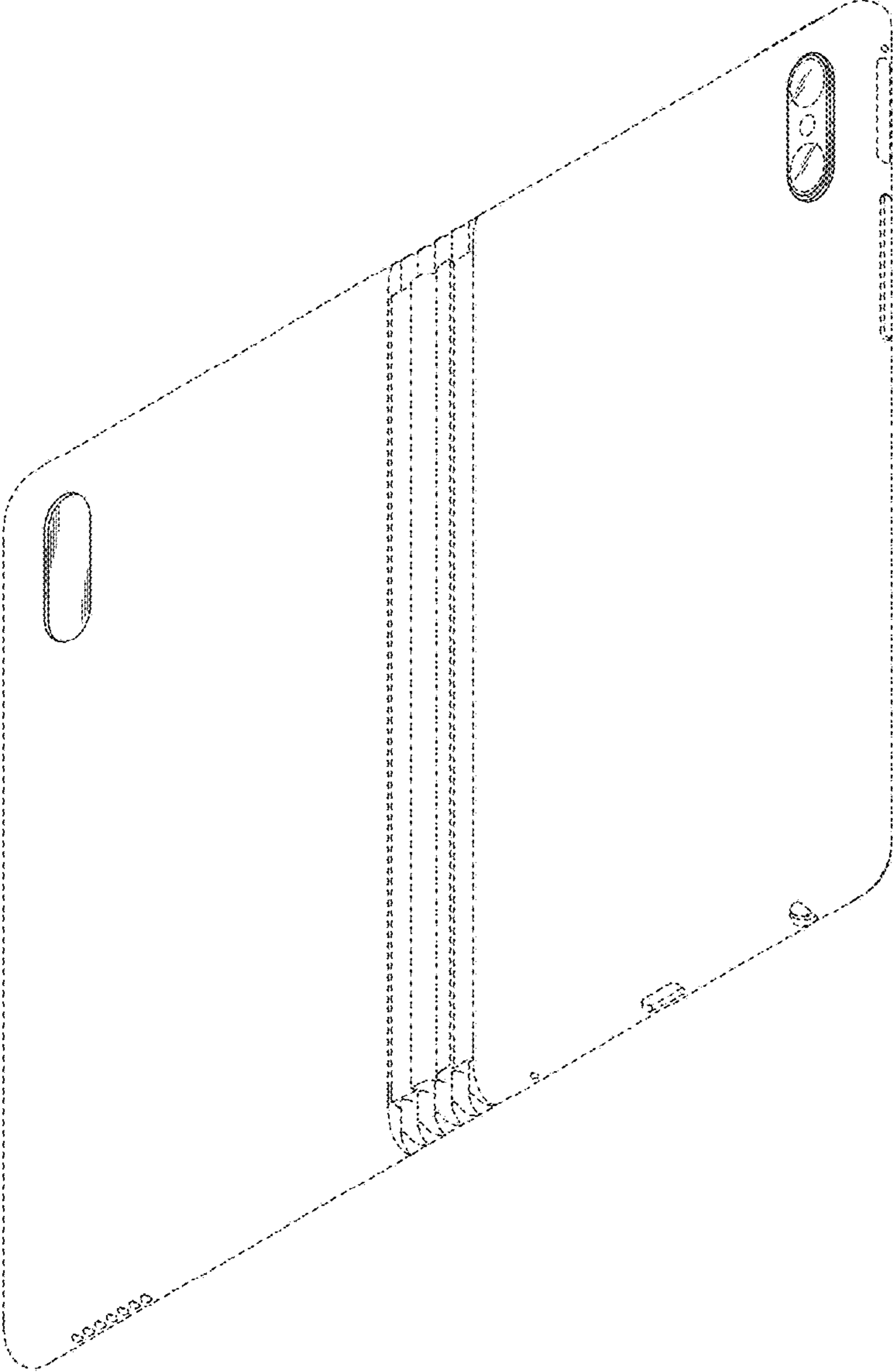


FIG. 8

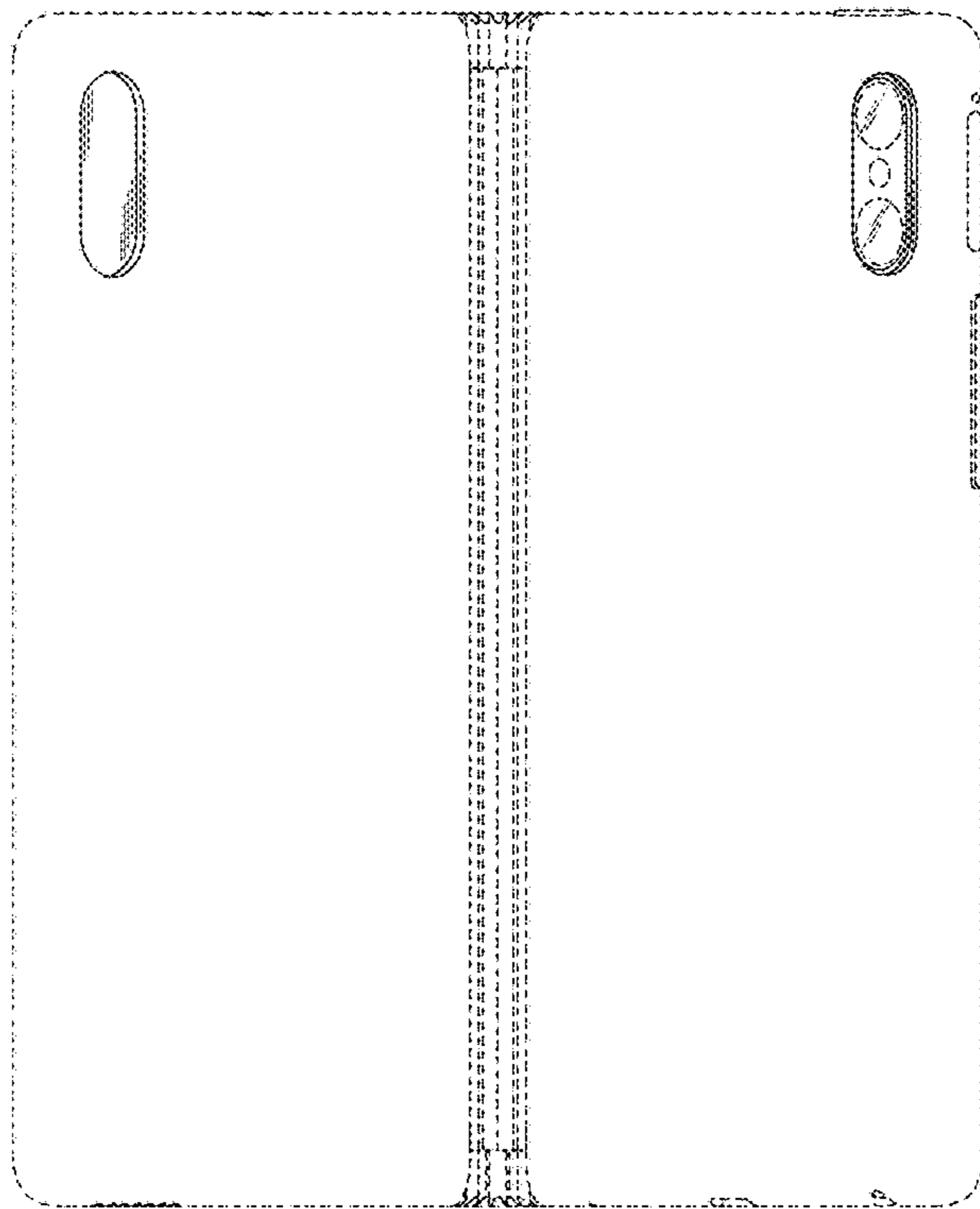


FIG. 9

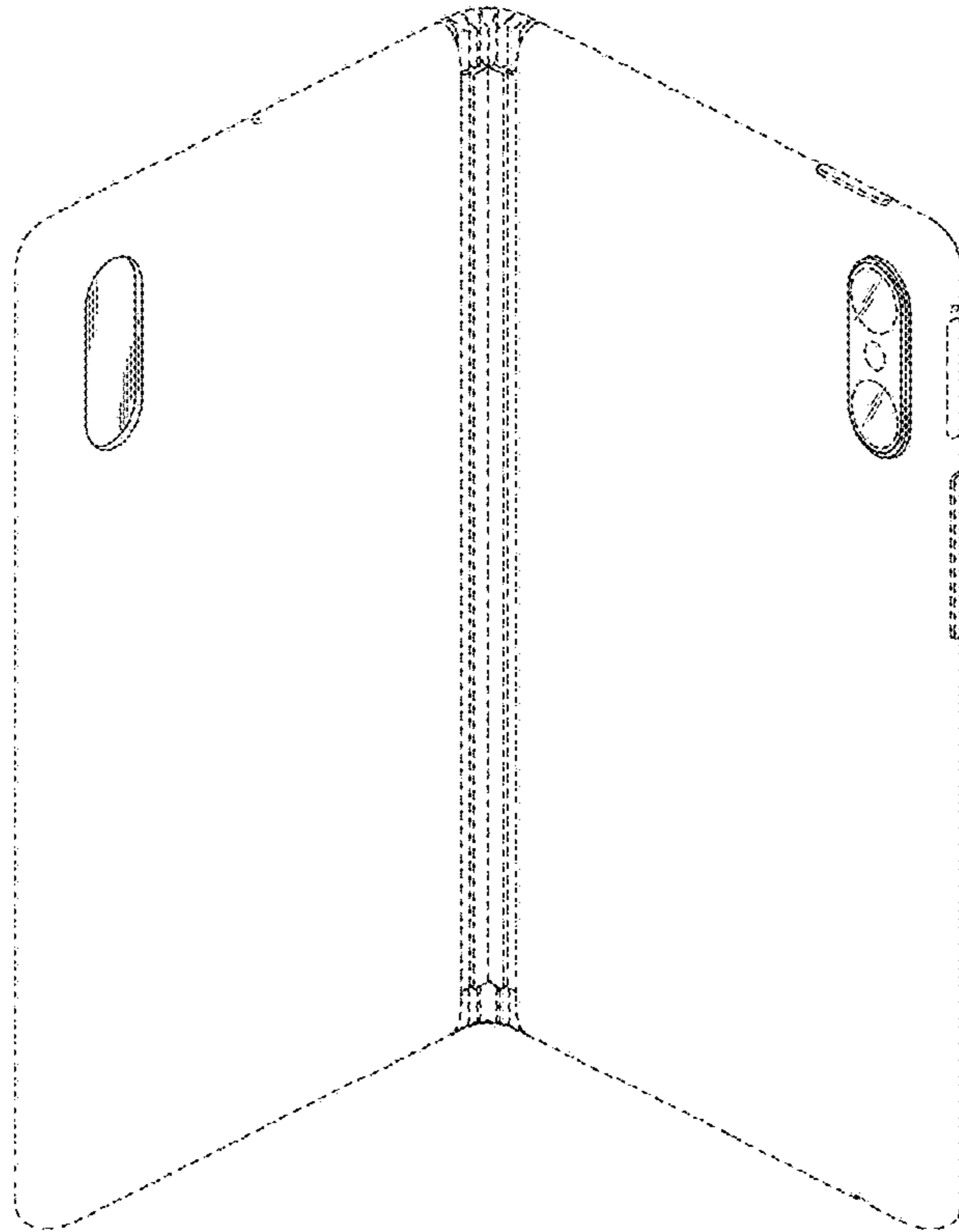


FIG. 10

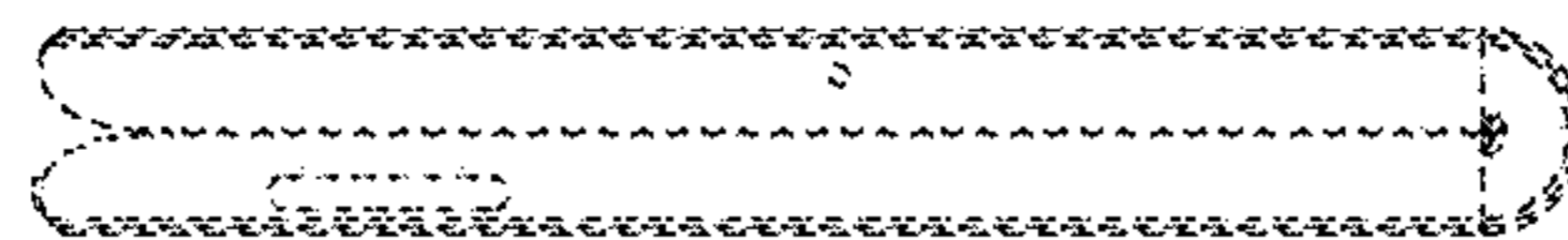


FIG. 11

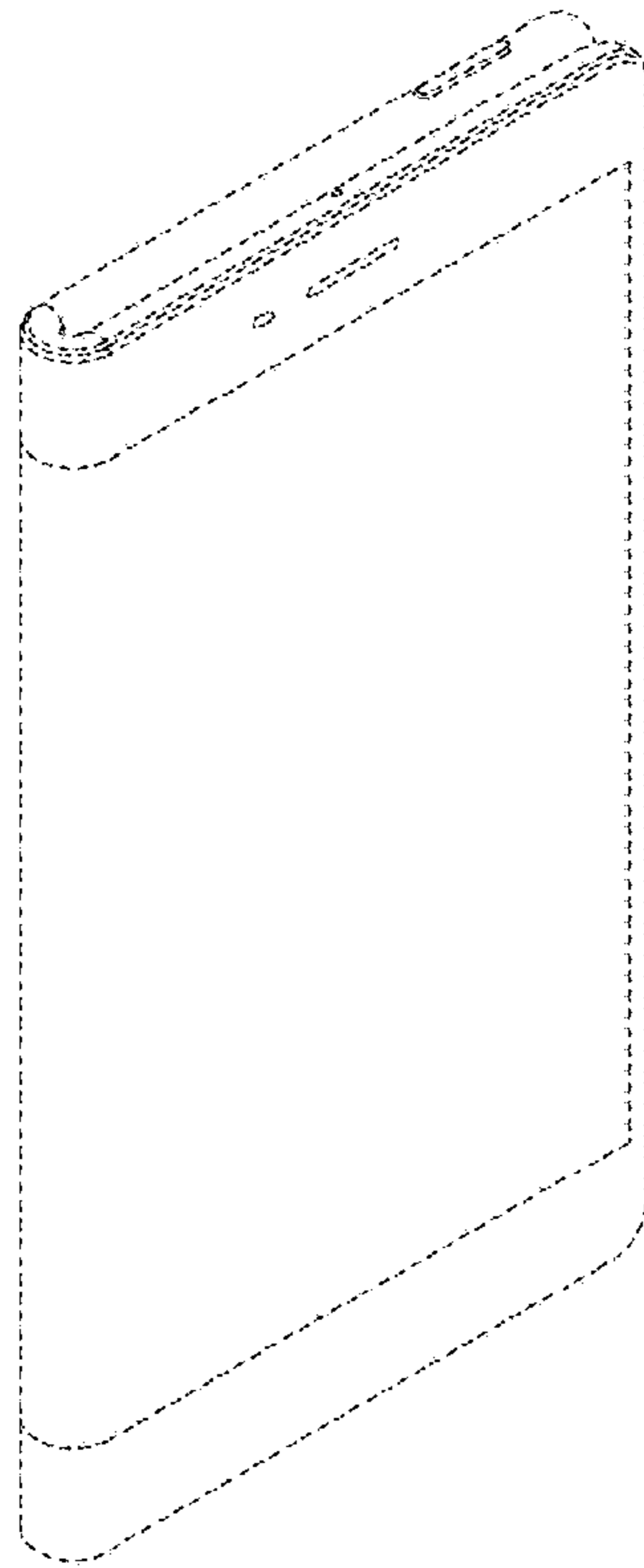


FIG. 12