



US00D859379S

(12) **United States Design Patent** (10) **Patent No.:** **US D859,379 S**
Fidler (45) **Date of Patent:** **** Sep. 10, 2019**

- (54) **WIRELESS COMMUNICATION ROUTER**
- (71) Applicant: **Furriion Property Holding Limited**,
Hong Kong (HK)
- (72) Inventor: **Matthew David Fidler**, Hong Kong
(HK)
- (73) Assignee: **Furriion Property Holding Limited**,
Hong Kong (HK)
- (**) Term: **15 Years**
- (21) Appl. No.: **29/644,338**
- (22) Filed: **Apr. 17, 2018**
- (51) **LOC (12) Cl.** **14-03**
- (52) **U.S. Cl.**
USPC **D14/242**
- (58) **Field of Classification Search**
USPC D14/240, 242, 357, 358, 125, 126,
D14/140-140.9, 348, 349, 351, 354, 355
CPC H04L 12/00; H03K 17/00; H04W 88/00;
H04W 88/005; H04W 88/02; H04W
88/08; H04W 88/085; H04W 88/10;
H04W 88/12; H04W 88/14; H04B 1/38
See application file for complete search history.

D785,608 S * 5/2017 Weaver D14/240
D809,493 S * 2/2018 Konotopskyi D14/242
D835,085 S * 12/2018 Burmeister-Brown D14/240

OTHER PUBLICATIONS

“Wireless Communication Router Mounting Base,” Design U.S. Appl. No. 29/644,340, filed Apr. 17, 2018 under the applicant Furriion Property Holding Limited, 6 pages.

* cited by examiner

Primary Examiner — Bridget L Eland
(74) *Attorney, Agent, or Firm* — Faegre Baker Daniels LLP

(57) **CLAIM**

The ornamental design for a wireless communication router, as shown and described.

DESCRIPTION

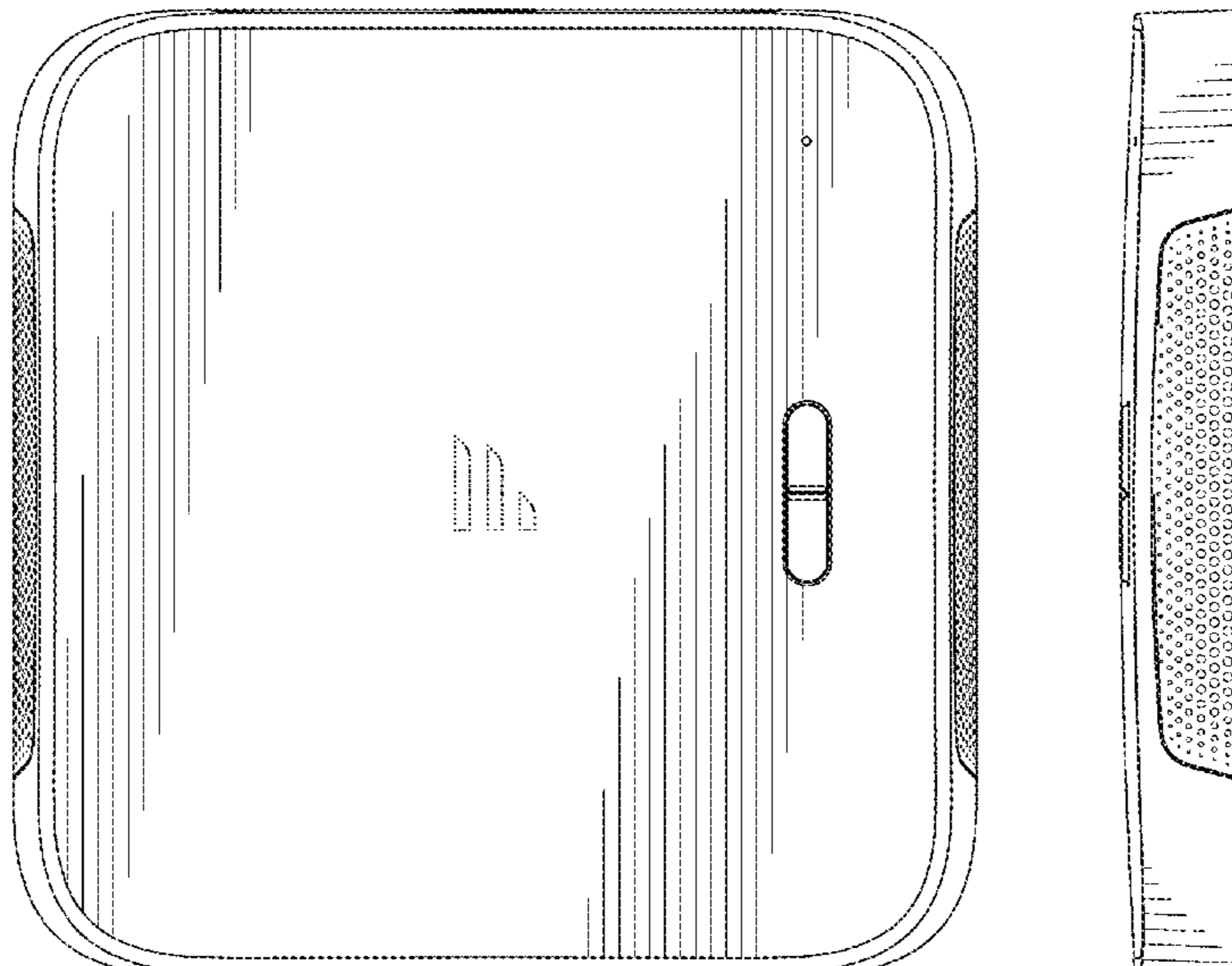
FIG. 1 is a top view of a wireless communication router illustrating my new design;
FIG. 2 is a front view thereof;
FIG. 3 is a rear view thereof;
FIG. 4 is a bottom view thereof;
FIG. 5 is a left side view thereof;
FIG. 6 is a right side view thereof;
FIG. 7 is a front perspective view thereof; and,
FIG. 8 is another front perspective view thereof.
The broken lines immediately adjacent the shaded areas represent the bounds of the claimed design while all other broken lines are directed to environment and are for illustrative purposes only; the broken lines form no part of the claimed design. In addition the unshaded surfaces directly adjoining the solid claimed edge in FIG. 3 surrounding the broken lines and the unshaded surface adjoining the solid claimed edge in FIG. 4 surrounding the broken lines form no part of the claimed design.

(56) **References Cited**

U.S. PATENT DOCUMENTS

- D548,731 S * 8/2007 Liu D14/240
- D596,626 S * 7/2009 Andre D14/240
- D626,099 S * 10/2010 Huang D14/125
- D705,201 S * 5/2014 Isaacs D14/240
- D729,216 S * 5/2015 Peng D14/240
- D731,470 S * 6/2015 Terasawa D14/240
- D753,639 S * 4/2016 Marzynski D14/240
- D765,073 S * 8/2016 Niizawa D14/356
- D768,607 S * 10/2016 Altonen D14/240
- D778,889 S * 2/2017 Nagao D14/240

1 Claim, 5 Drawing Sheets



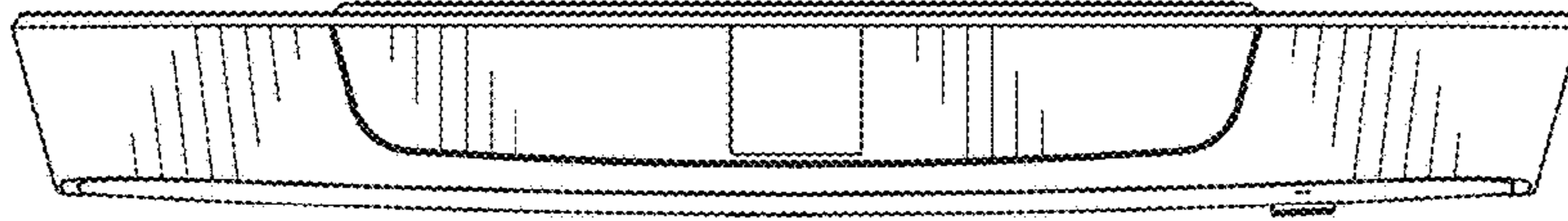


Fig. 1

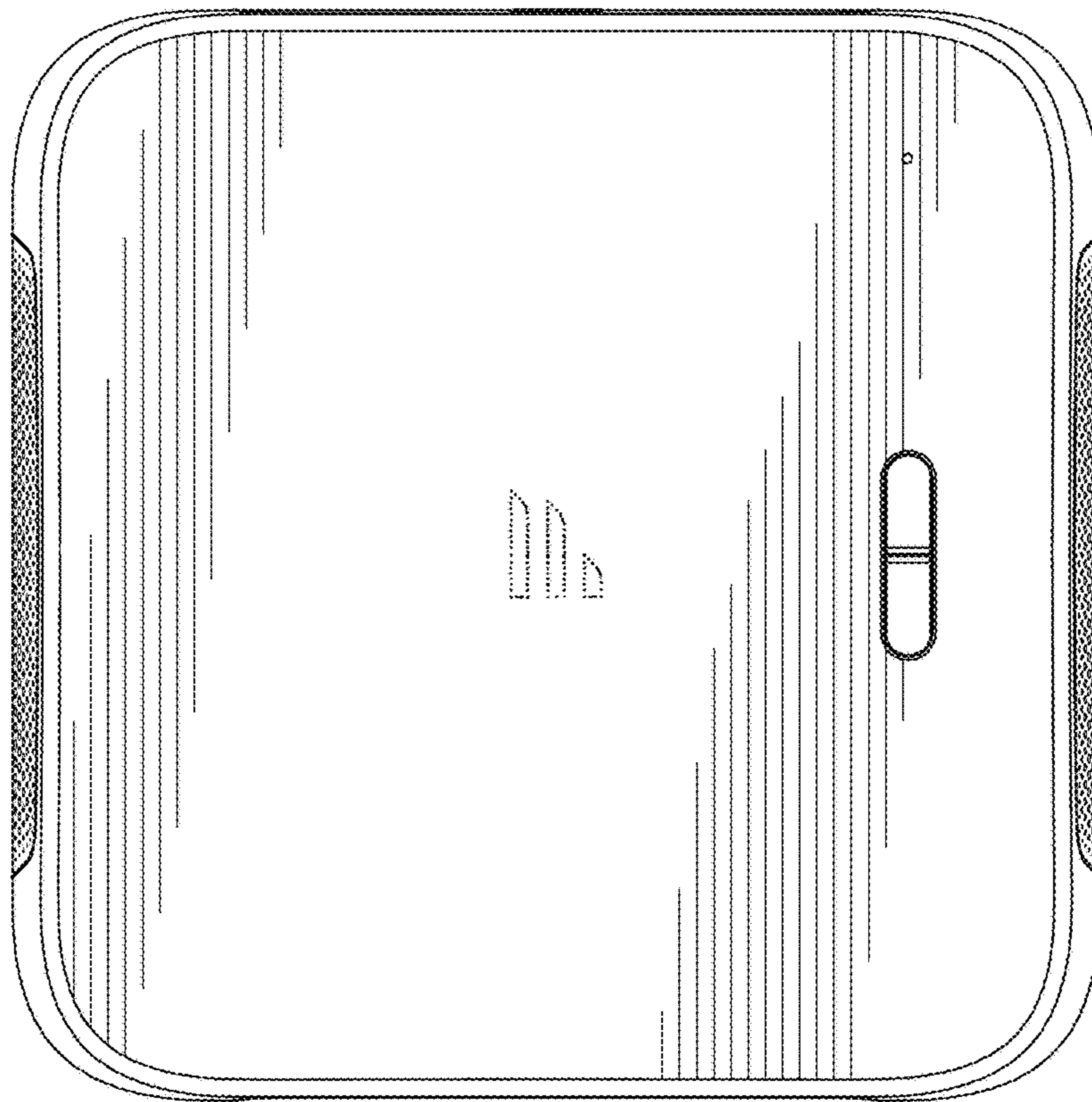


Fig. 2

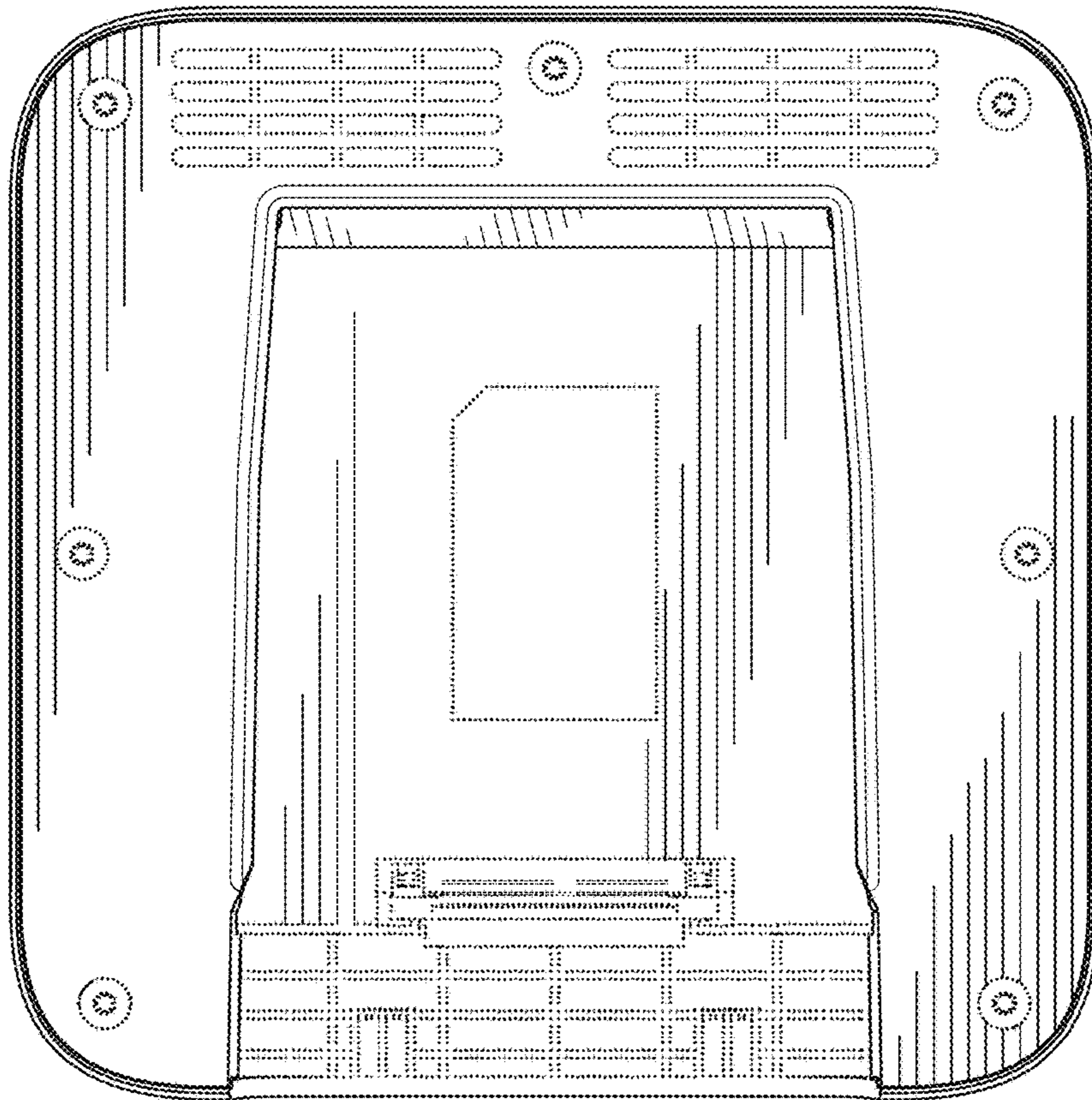


Fig. 3



Fig. 4

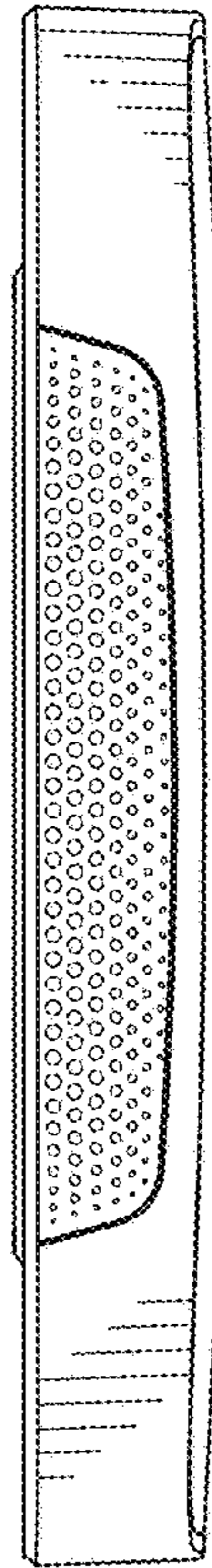


Fig. 5

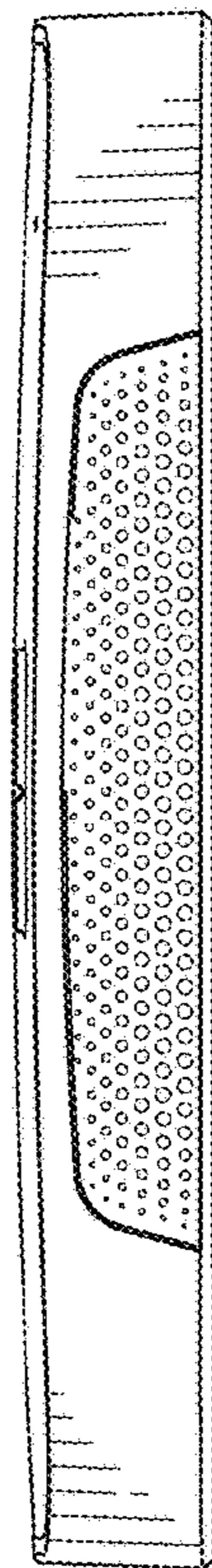


Fig. 6

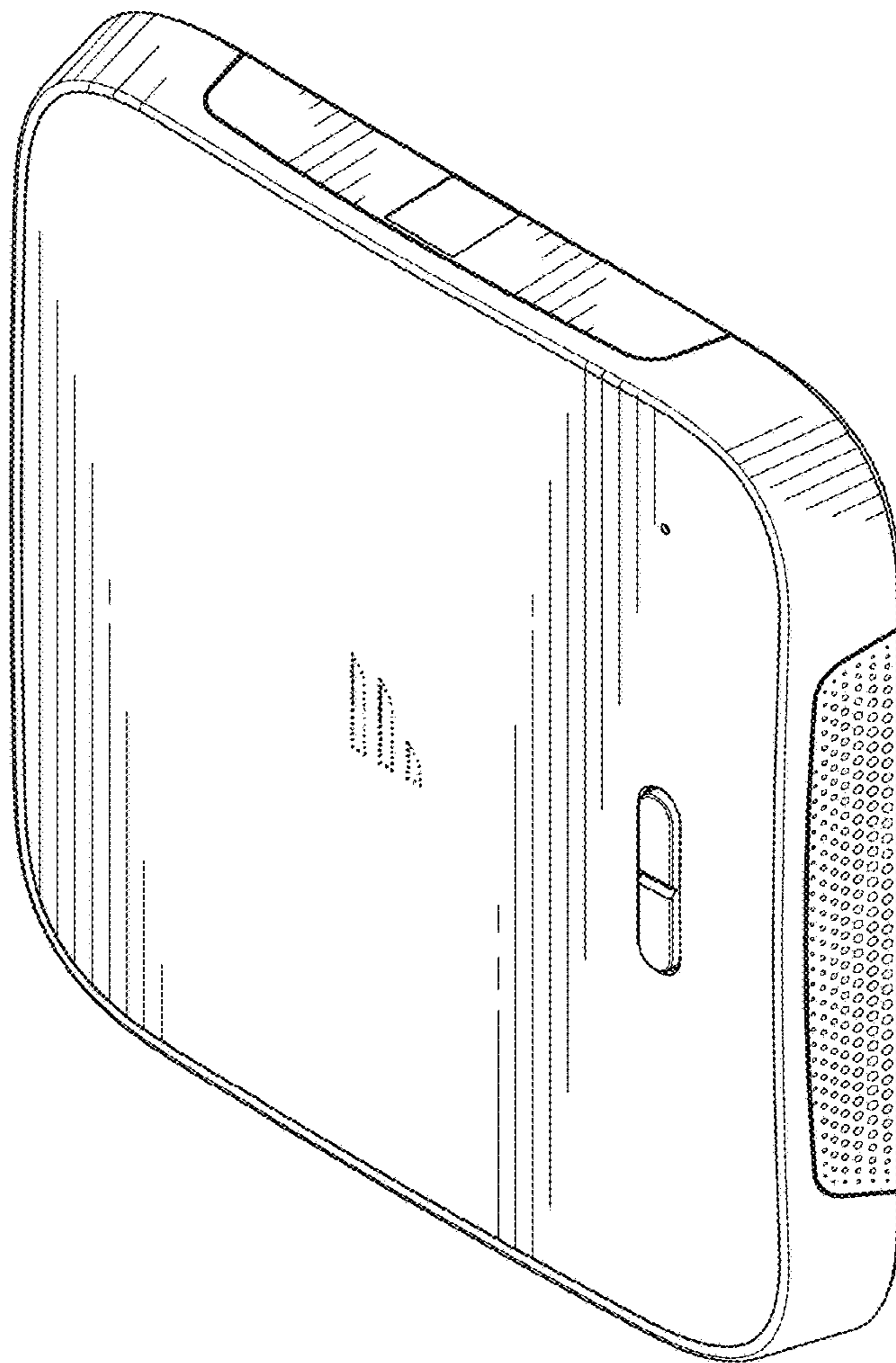


Fig. 7

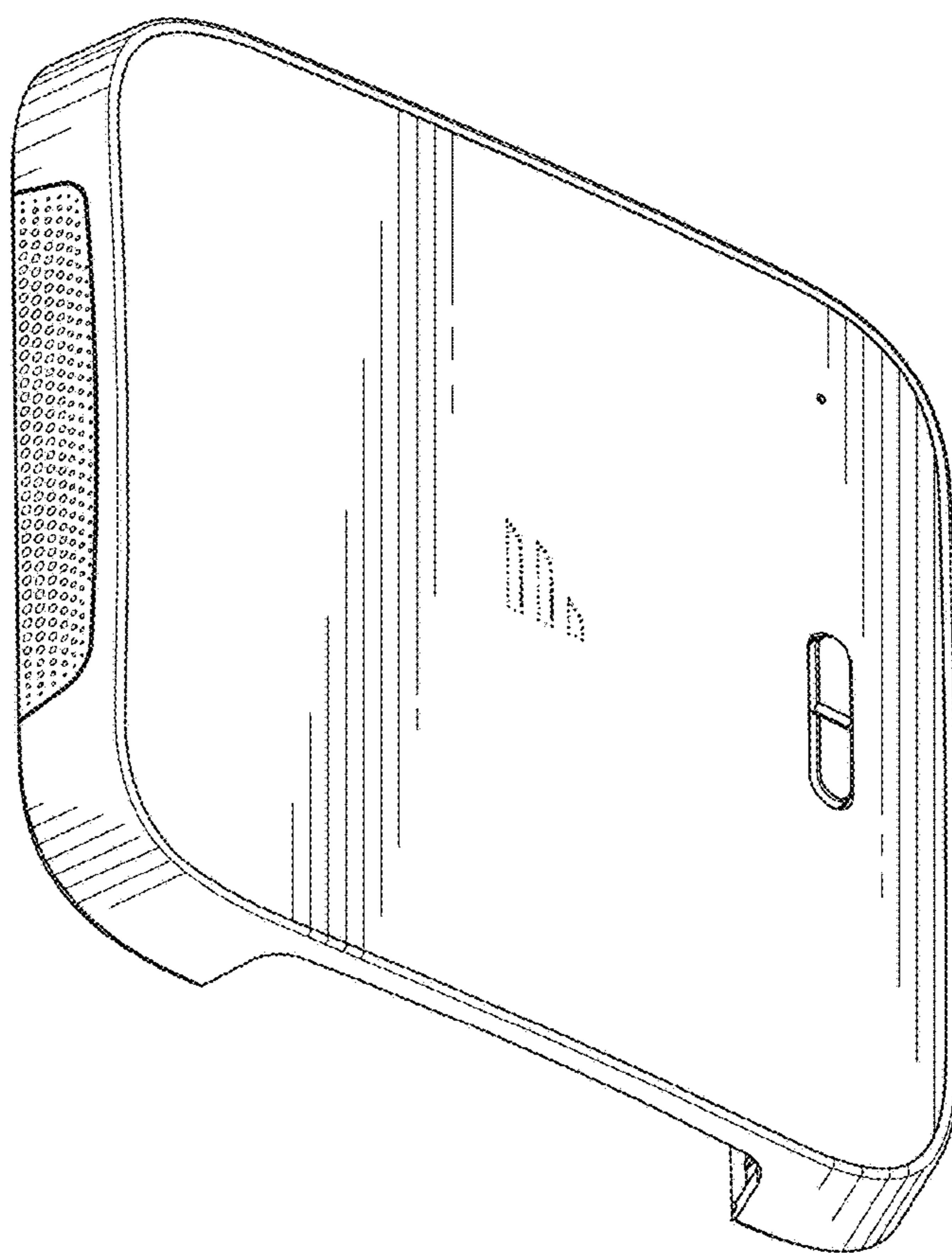


Fig. 8