



US00D859378S

(12) **United States Design Patent** (10) **Patent No.:** **US D859,378 S**
Lindo et al. (45) **Date of Patent:** **** Sep. 10, 2019**

(54) **TILT ARM ASSEMBLY**

(56) **References Cited**

(71) Applicant: **Southco, Inc.**, Concordville, PA (US)

U.S. PATENT DOCUMENTS

(72) Inventors: **Benjamin Gerald Lindo**, Philadelphia, PA (US); **Glenn Eric Anderson**, Malvern, PA (US)

D682,258 S	5/2013	Anderson	
D709,074 S	7/2014	Tsui et al.	
D753,128 S	4/2016	Anderson	
D769,235 S	* 10/2016	Li	D14/253
D817,317 S	* 5/2018	Lee	D14/239

(73) Assignee: **SOUTHCO, INC.**, Concordville, PA (US)

OTHER PUBLICATIONS

(**) Term: **15 Years**

AccessPoint Mobile computing—InterMetro Industries Corporation, Wilkes Barre, PA; PDF Catalogue; Mar. 2015; 17 pages.

(21) Appl. No.: **29/676,815**

* cited by examiner

(22) Filed: **Jan. 15, 2019**

Primary Examiner — Randall H Gholson

Related U.S. Application Data

(74) *Attorney, Agent, or Firm* — RatnerPrestia

(62) Division of application No. 29/610,760, filed on Jul. 14, 2017, now Pat. No. Des. 845,286.

(51) **LOC (12) Cl.** **14-03**

(57) **CLAIM**

(52) **U.S. Cl.**
USPC **D14/239**

The ornamental design for a tilt arm assembly, as shown and described.

(58) **Field of Classification Search**

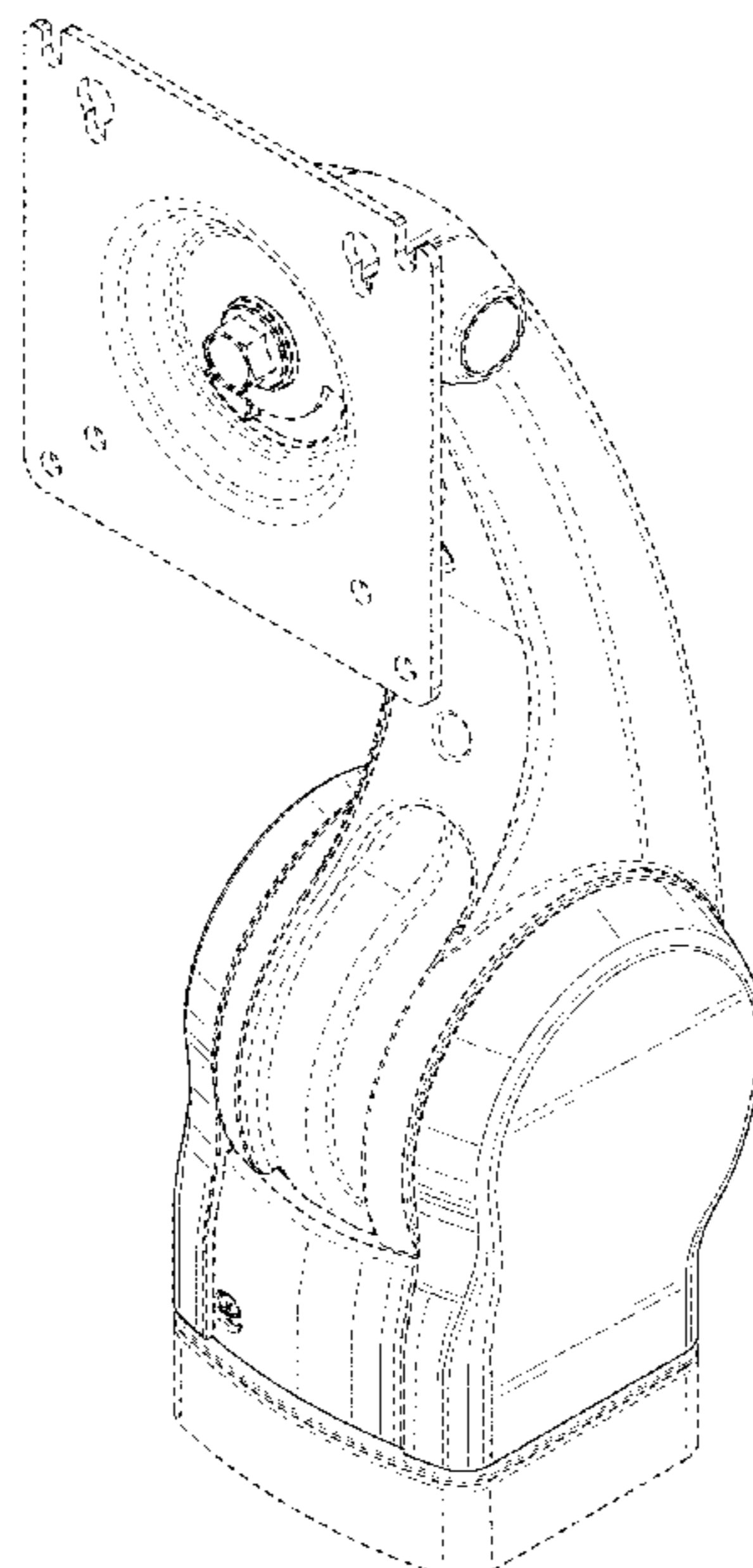
DESCRIPTION

USPC D14/239, 371, 136, 374–377; D8/363, D8/373, 349, 394; 248/465, 917–924, 248/123.11; 348/825, 827, 836, 837, 838, 348/180, 184, 325, 739; 600/443; D6/477–479, 407, 474, 460, 461, 468; 312/7.2; 341/12; 345/87, 104, 133, 156, 345/168, 169, 173; 720/605, 669, 600, 720/655; 369/99, 197; 455/344–347; 349/1, 2, 11, 62; 108/59, 91, 92, 96; 211/40, 41.12, 42, 49.1, 50, 85.2, 90.04, 211/187, 190, 119.003, 134.153, 87.01, 211/71.01

FIG. 1 is an isometric view of a tilt arm assembly; FIG. 2 is a front elevation view thereof; FIG. 3 is a rear elevation view thereof; FIG. 4 is a left side elevation view thereof; FIG. 5 is a right side elevation view thereof; FIG. 6 is a top plan view thereof; and, FIG. 7 is a bottom plan view thereof. The broken line showing of the tilt arm assembly is for the purpose of illustrating portions of the tilt arm assembly and forms no part of the claimed design.

CPC A47B 43/00; G03B 1/00
See application file for complete search history.

1 Claim, 7 Drawing Sheets



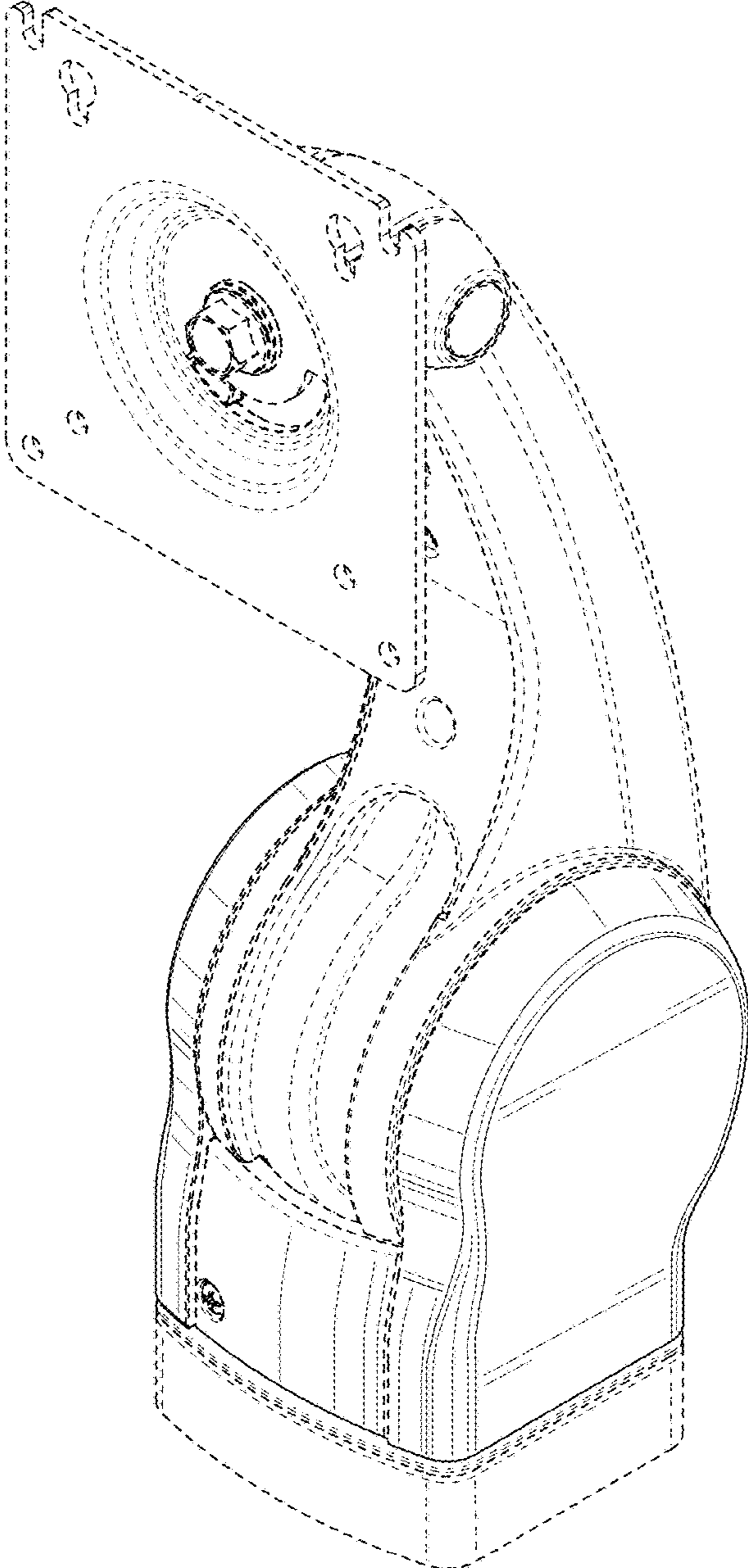


FIG 1

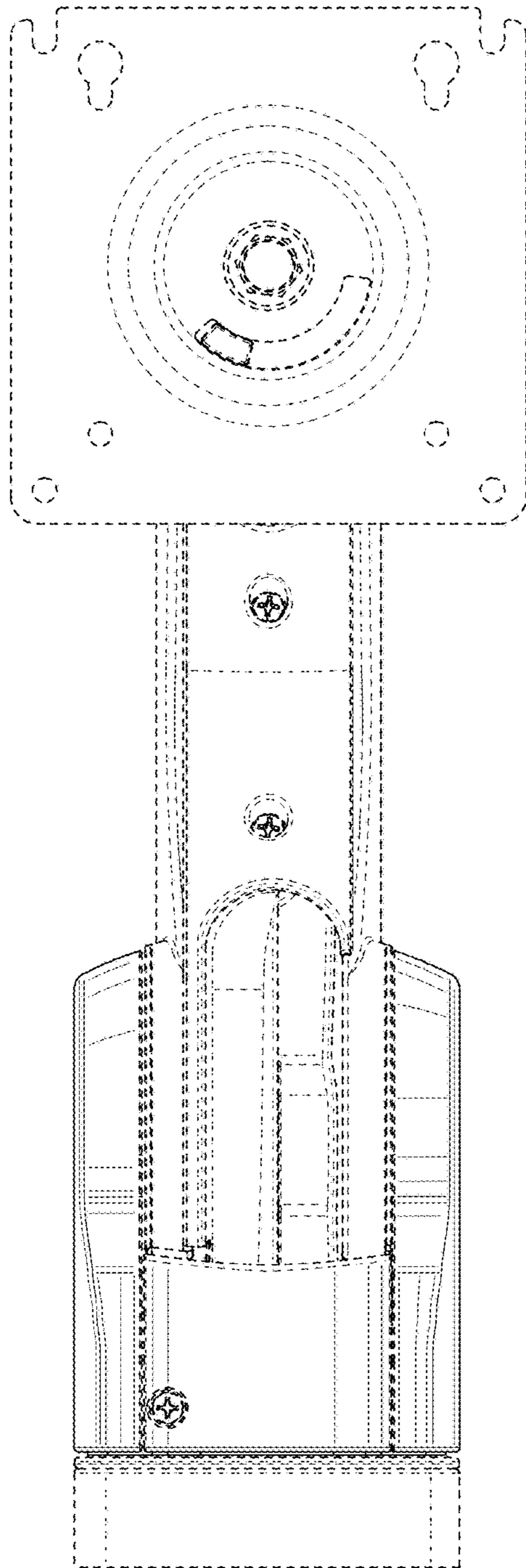


FIG 2

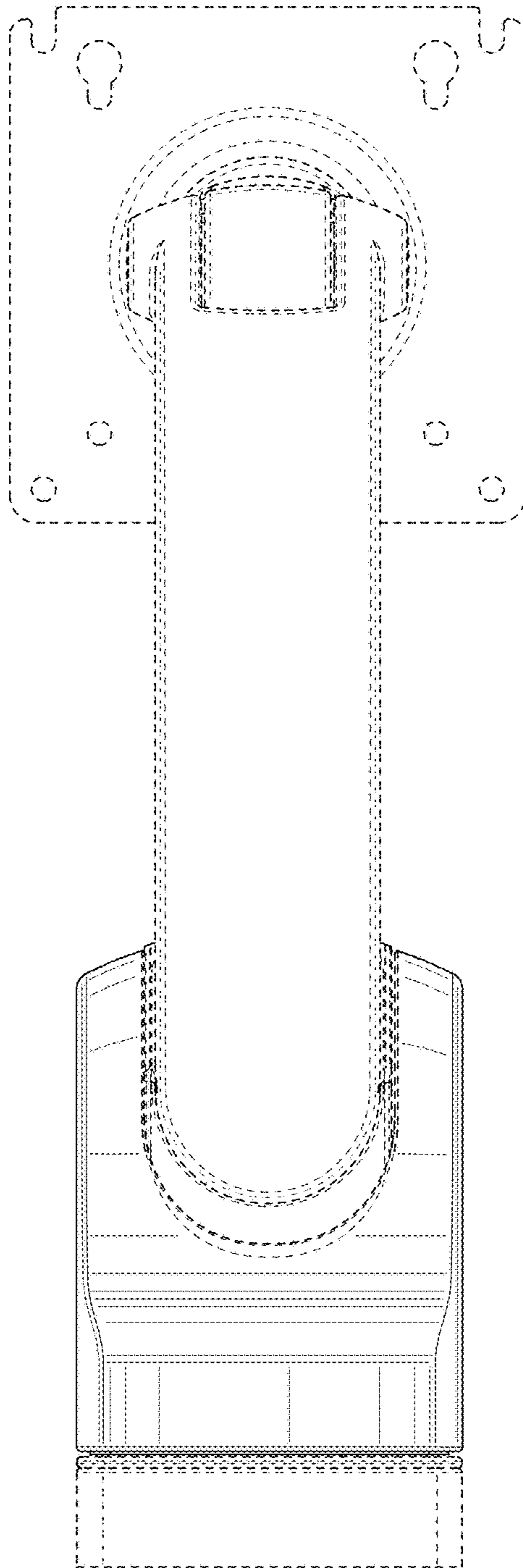


FIG 3

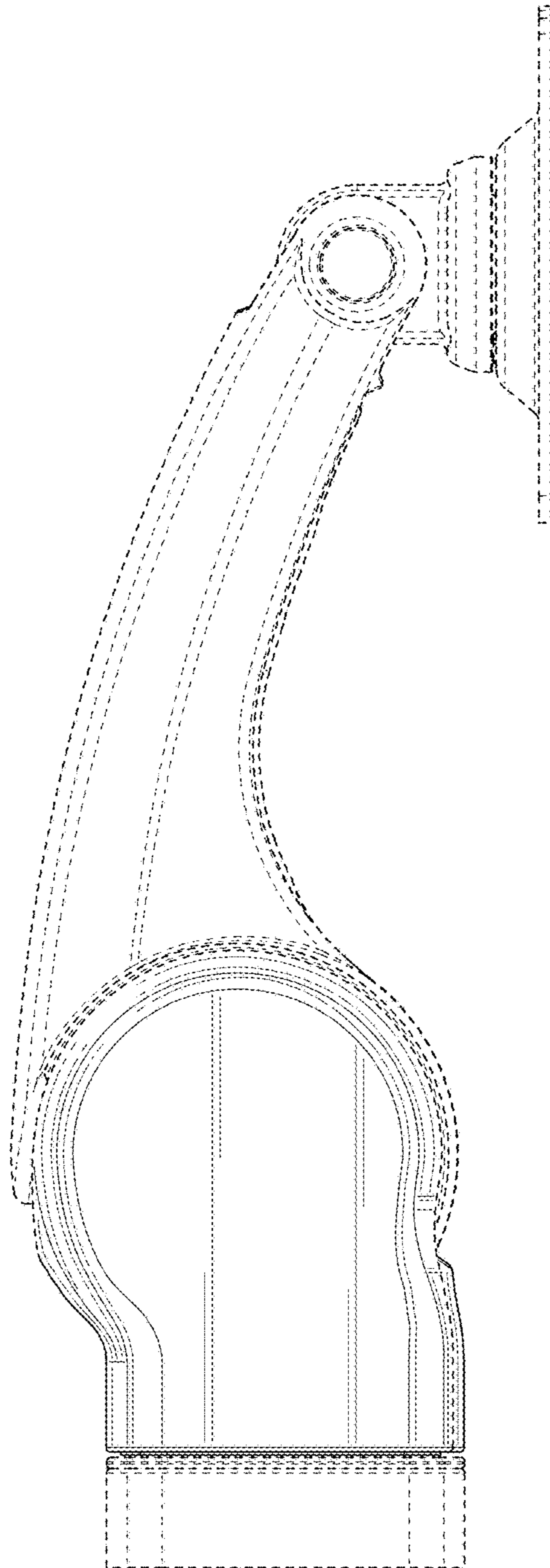


FIG 4

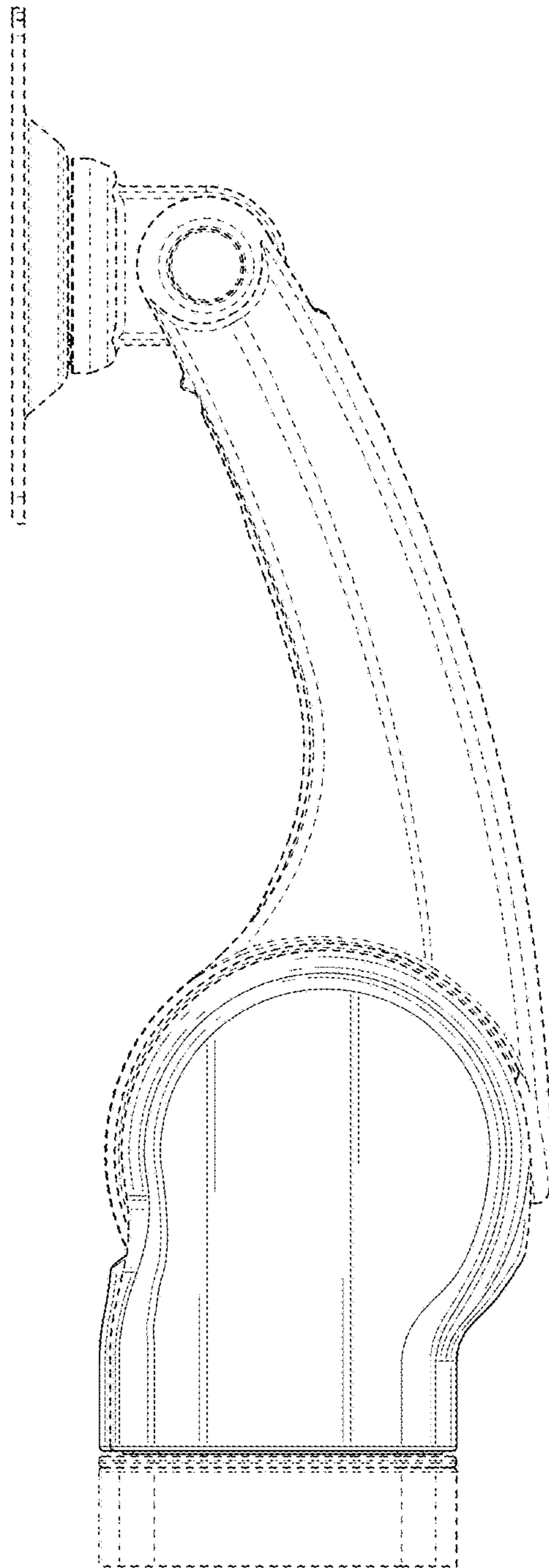


FIG 5

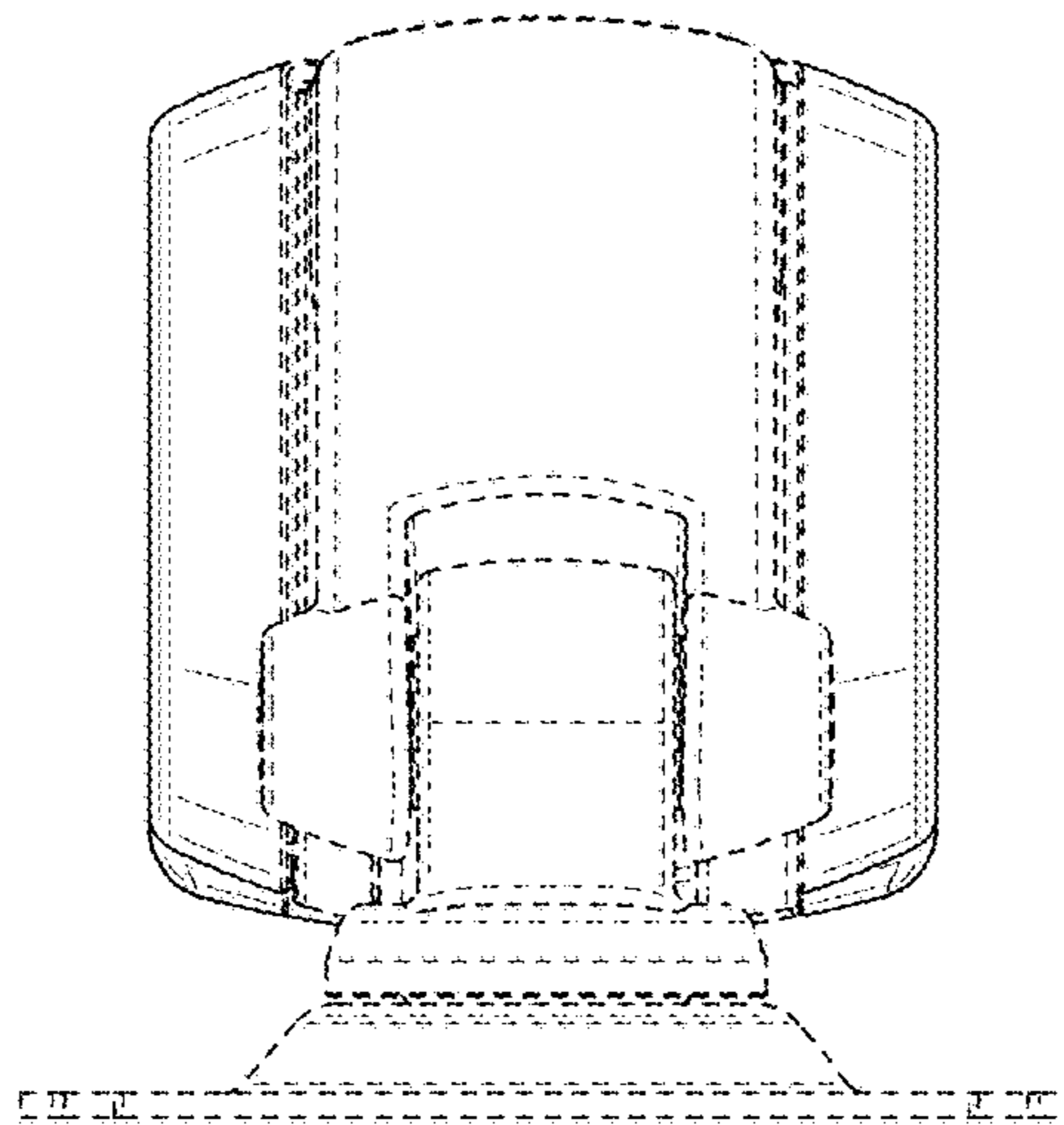


FIG 6

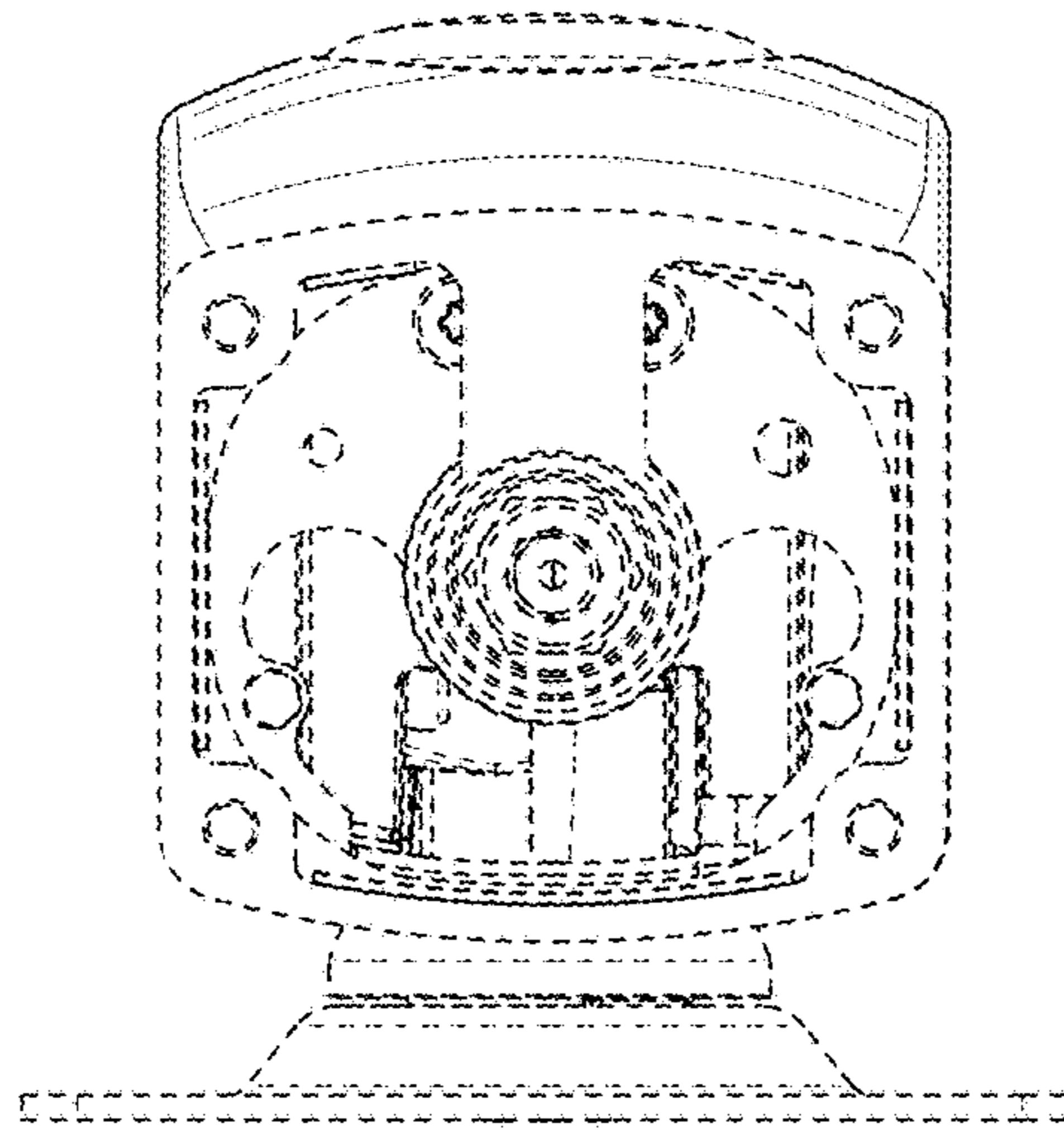


FIG 7