



US00D859377S

(12) **United States Design Patent** (10) **Patent No.:** **US D859,377 S**  
**Lindo et al.** (45) **Date of Patent:** **\*\* Sep. 10, 2019**

(54) **TILT ARM ASSEMBLY**

D753,128 S 4/2016 Anderson  
D769,235 S \* 10/2016 Li ..... D14/253  
D817,317 S \* 5/2018 Lee ..... D14/239

(71) Applicant: **Southco, Inc.**, Concordville, PA (US)

(72) Inventors: **Benjamin Gerald Lindo**, Philadelphia, PA (US); **Glenn Eric Anderson**, Malvern, PA (US)

(73) Assignee: **SOUTHCO, INC.**, Concordville, PA (US)

(\*\*) Term: **15 Years**

(21) Appl. No.: **29/676,814**

(22) Filed: **Jan. 15, 2019**

**Related U.S. Application Data**

(62) Division of application No. 29/610,760, filed on Jul. 14, 2017, now Pat. No. Des. 845,286.

(51) **LOC (12) Cl.** ..... **14-03**

(52) **U.S. Cl.**  
USPC ..... **D14/239**

(58) **Field of Classification Search**

USPC ..... D14/239, 371, 136, 374-377; D8/363, D8/373, 349, 394; 248/465, 917-924, 248/123.11; 348/825, 827, 836, 837, 838, 348/180, 184, 325, 739; 600/443; D6/477-479, 407, 474, 460, 461, 468; 312/7.2; 341/12; 345/87, 104, 133, 156, 345/168, 169, 173; 720/605, 669, 600, 720/655; 369/99, 197; 455/344-347; 349/1, 2, 11, 62; 108/59, 91, 92, 96; 211/40, 41.12, 42, 49.1, 50, 85.2, 90.04, 211/187, 190, 119.003, 134.153, 87.01, 211/71.01

CPC ..... A47B 43/00; G03B 1/00  
See application file for complete search history.

(56) **References Cited**

**U.S. PATENT DOCUMENTS**

D682,258 S 5/2013 Anderson  
D709,074 S 7/2014 Tsui et al.

**OTHER PUBLICATIONS**

AccessPoint Mobile computing—InterMetro Industries Corporation, Wilkes Barre, PA; PDF Catalogue; Mar. 2015; 17 pages.

\* cited by examiner

*Primary Examiner* — Randall H Gholson

(74) *Attorney, Agent, or Firm* — RatnerPrestia

(57) **CLAIM**

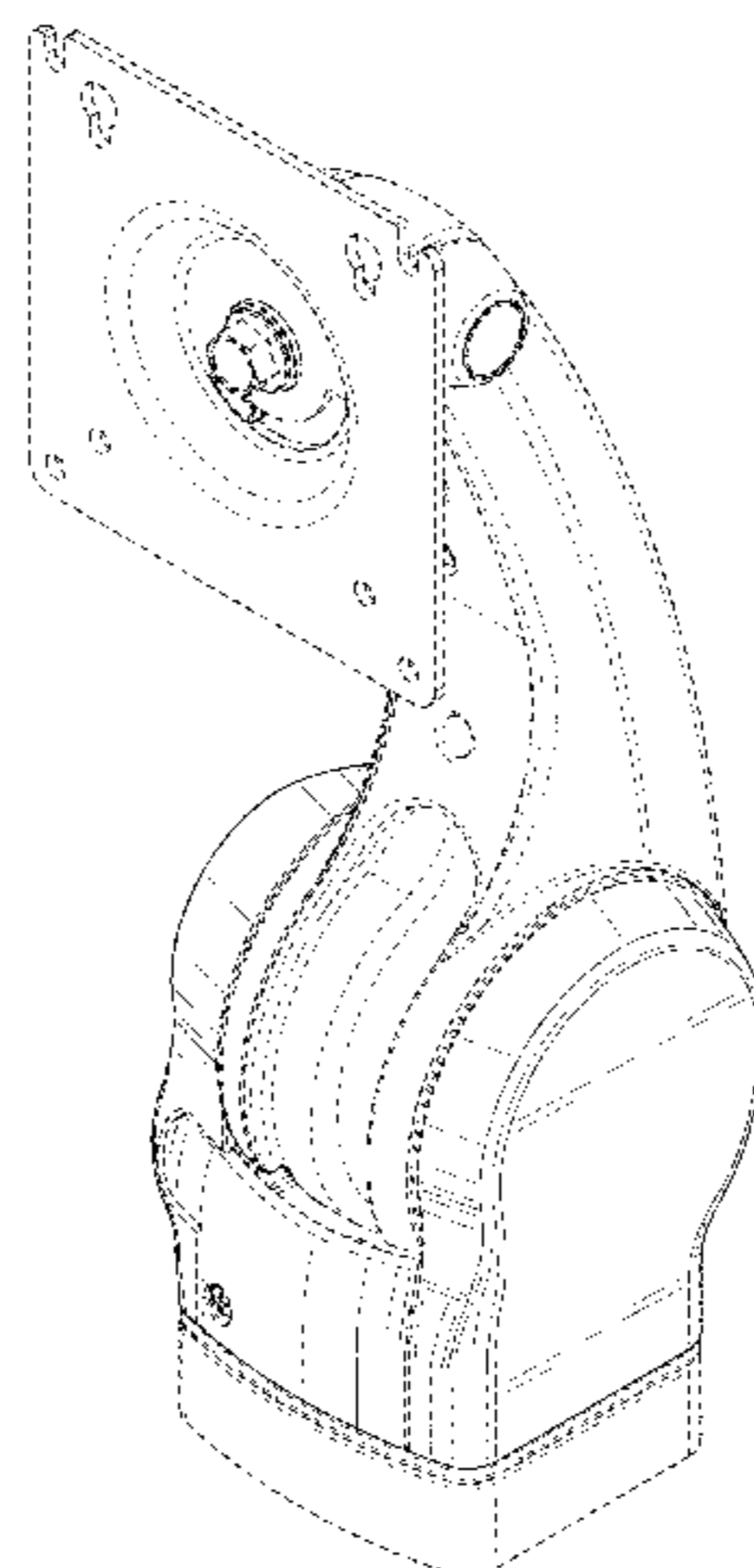
The ornamental design for a tilt arm assembly, as shown and described.

**DESCRIPTION**

FIG. 1 is an isometric view of a tilt arm assembly according to a fourth exemplary embodiment of the invention; FIG. 2 is a front elevation view thereof; FIG. 3 is a rear elevation view thereof; FIG. 4 is a left side elevation view thereof; FIG. 5 is a right side elevation view thereof; FIG. 6 is a top plan view thereof; and FIG. 7 is a bottom plan view thereof. FIG. 8 is a rear isometric view thereof, wherein the tilt arm assembly is shown in a tilted state; FIG. 9 is a front isometric view thereof; FIG. 10 is a front elevation view thereof; FIG. 11 is a rear elevation view thereof; FIG. 12 is a left side elevation view thereof; FIG. 13 is a right side elevation view thereof; FIG. 14 is a top plan view thereof; and, FIG. 15 is a bottom plan view thereof.

The broken line showing of the tilt arm assembly is for the purpose of illustrating portions of the tilt arm assembly and forms no part of the claimed design.

**1 Claim, 15 Drawing Sheets**



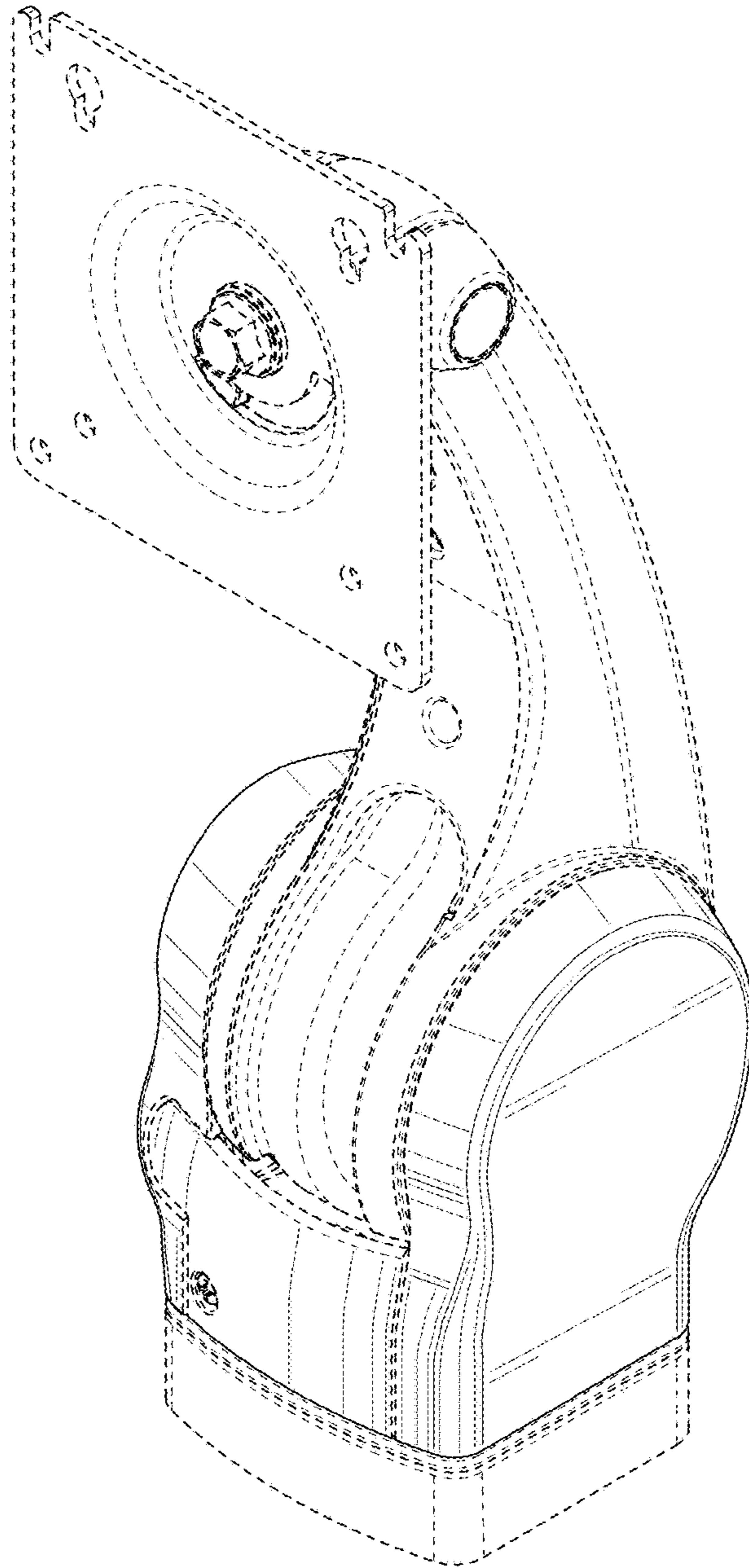


FIG 1

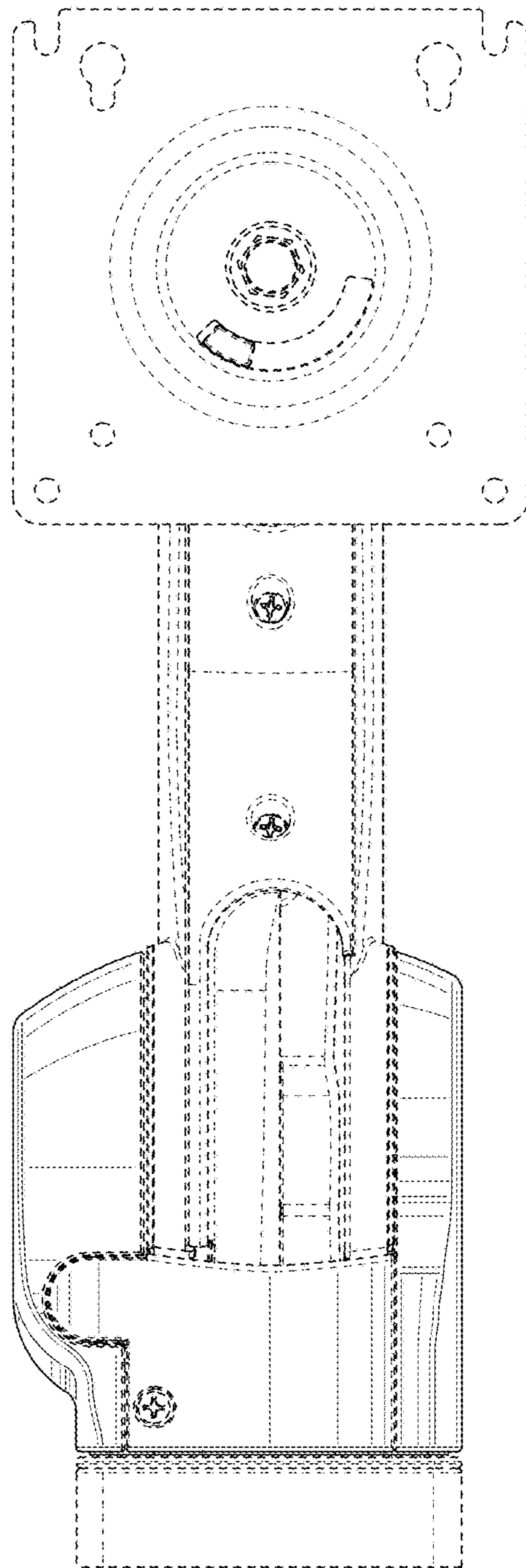


FIG 2

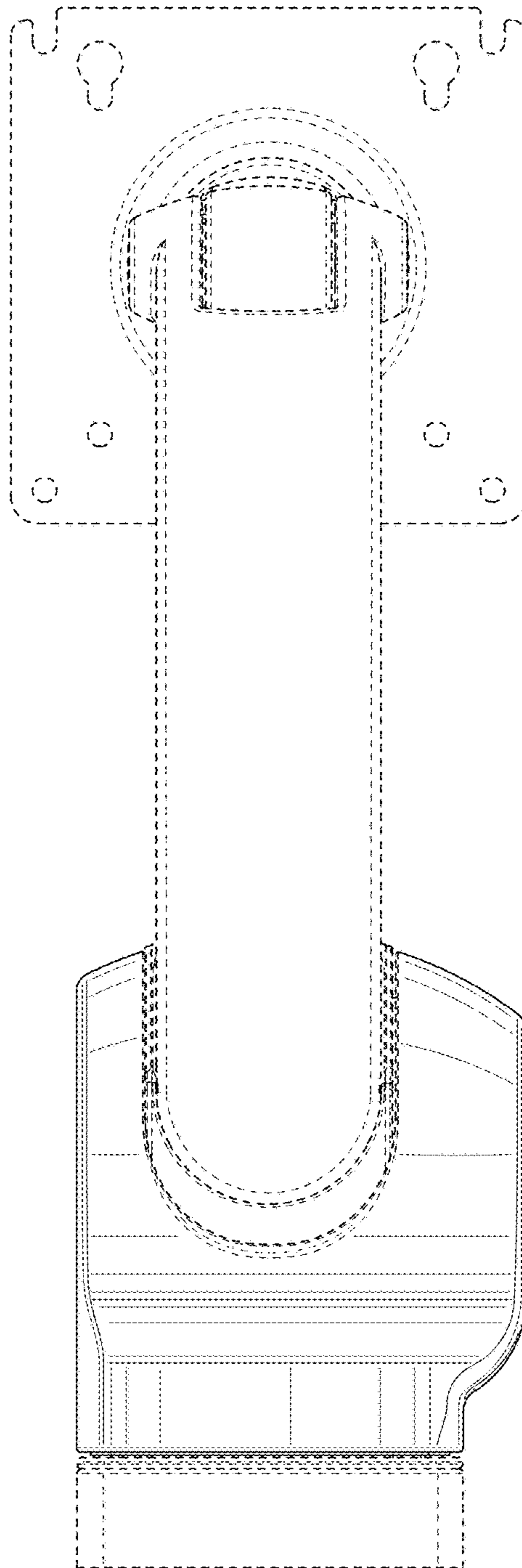


FIG 3

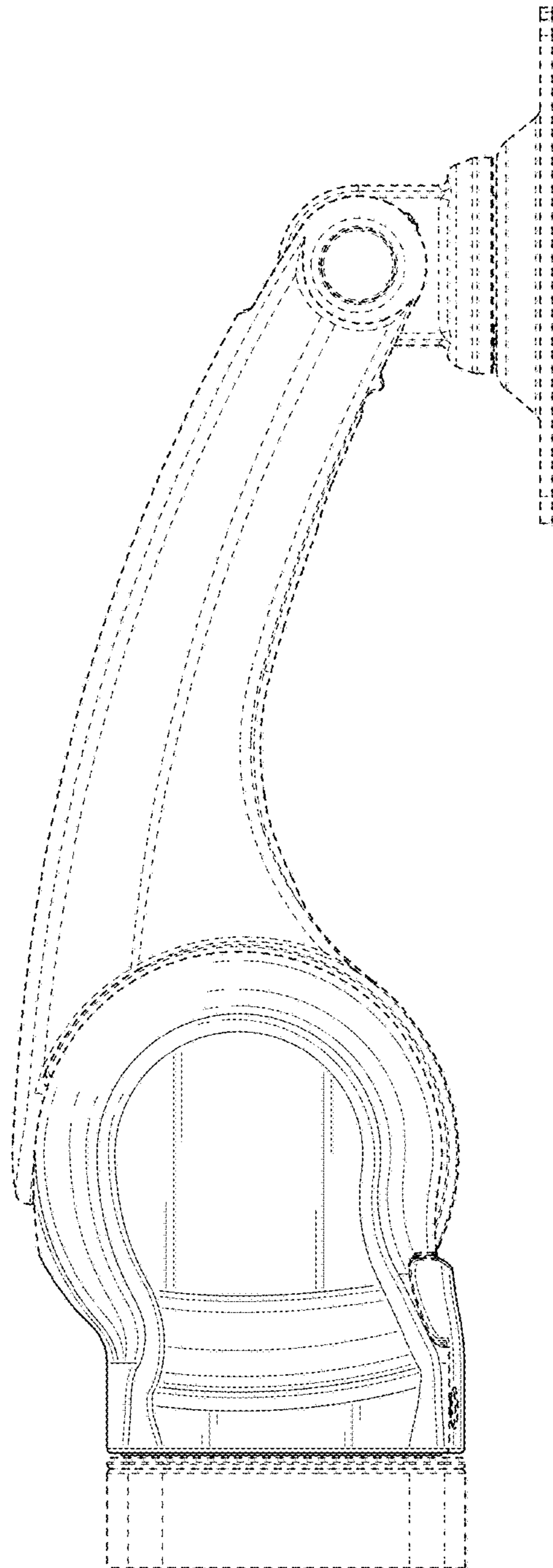


FIG 4

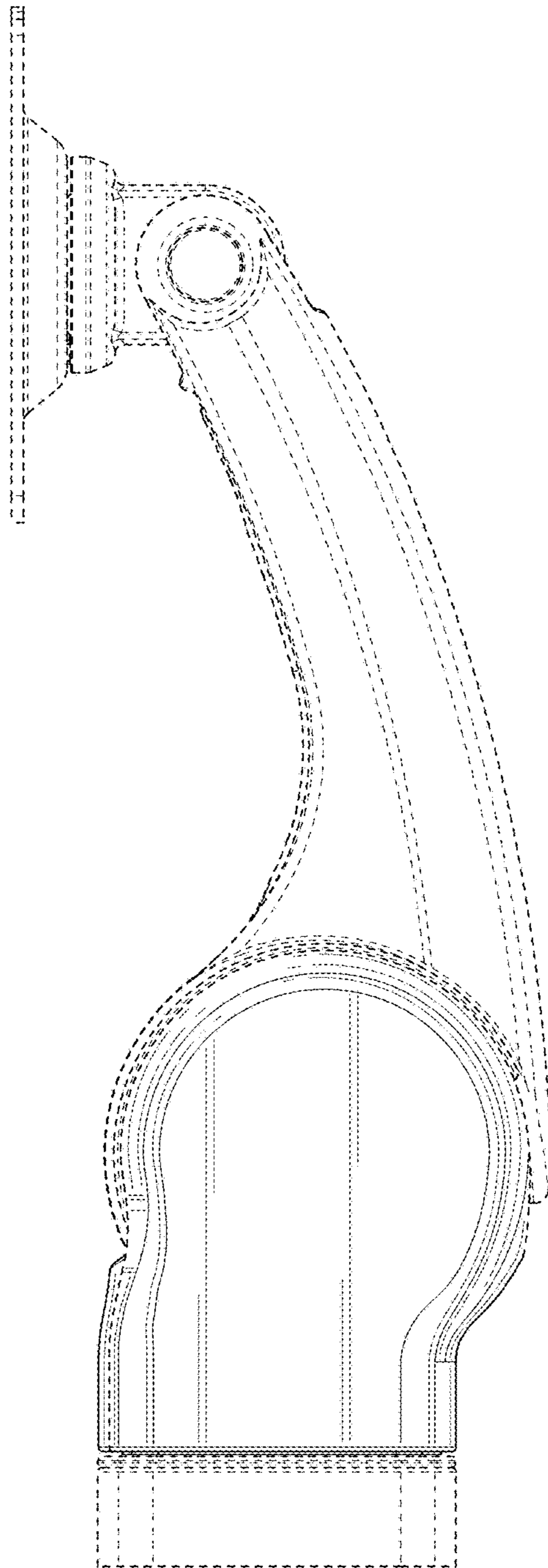


FIG 5

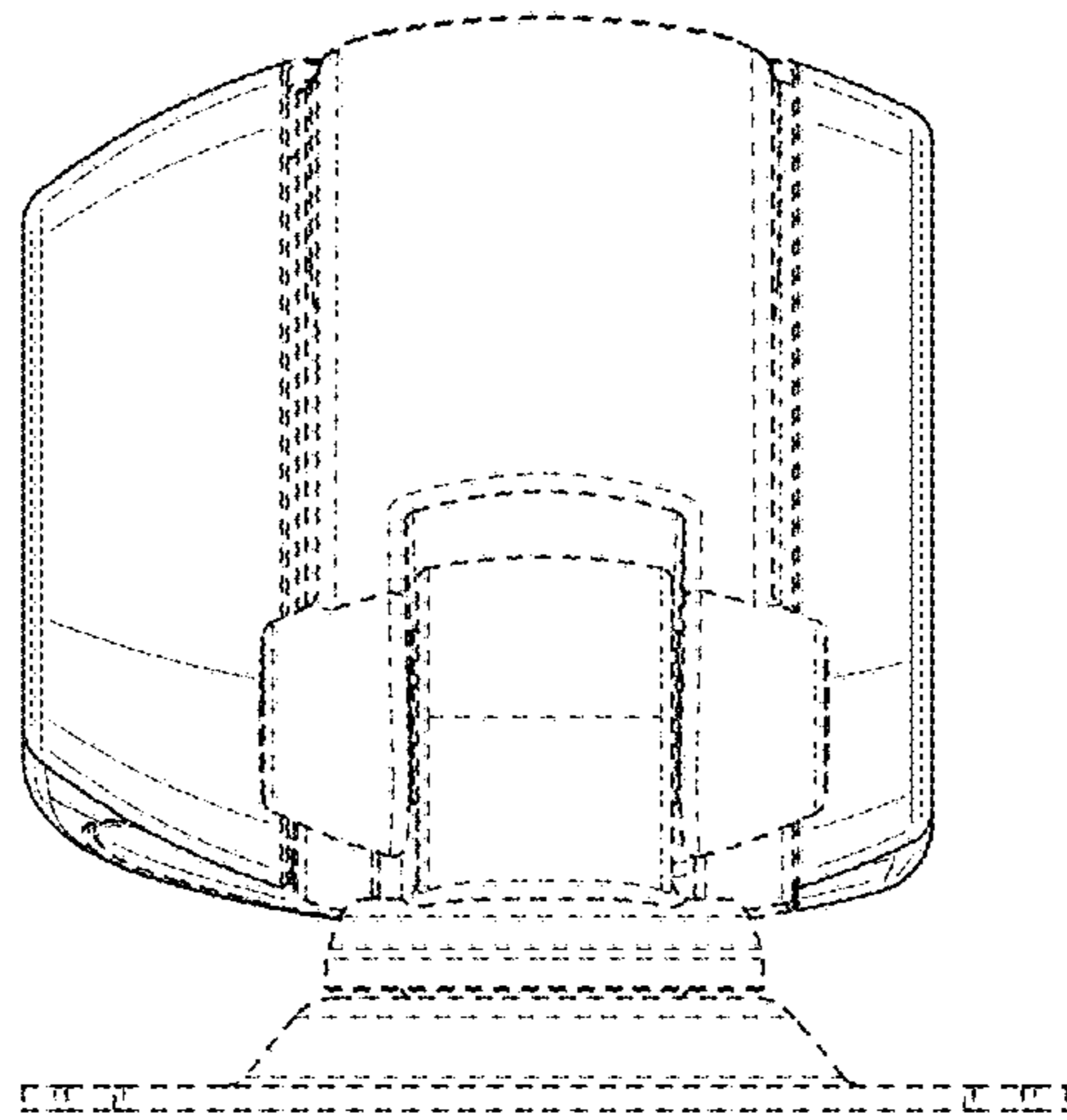


FIG 6

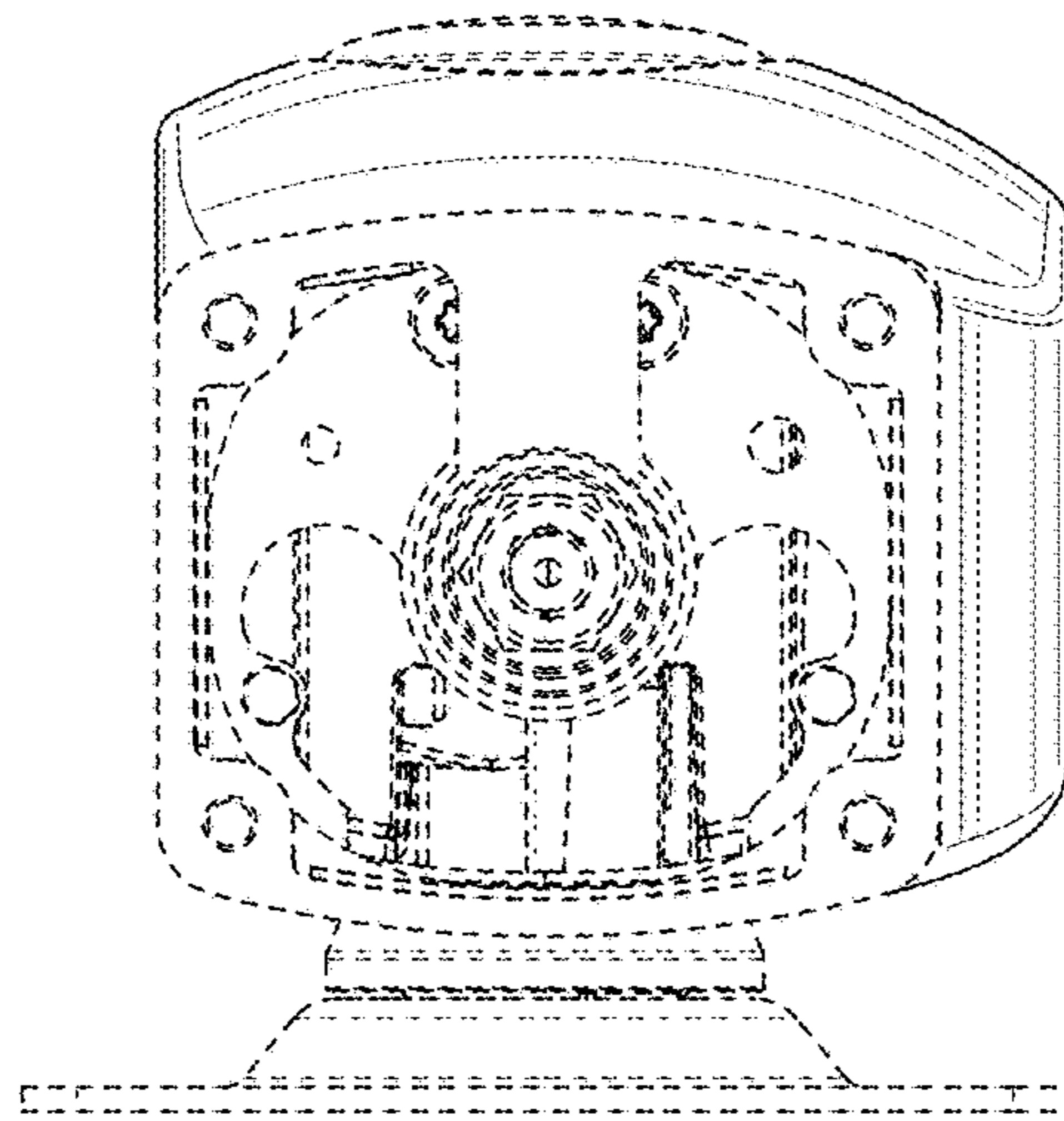


FIG 7



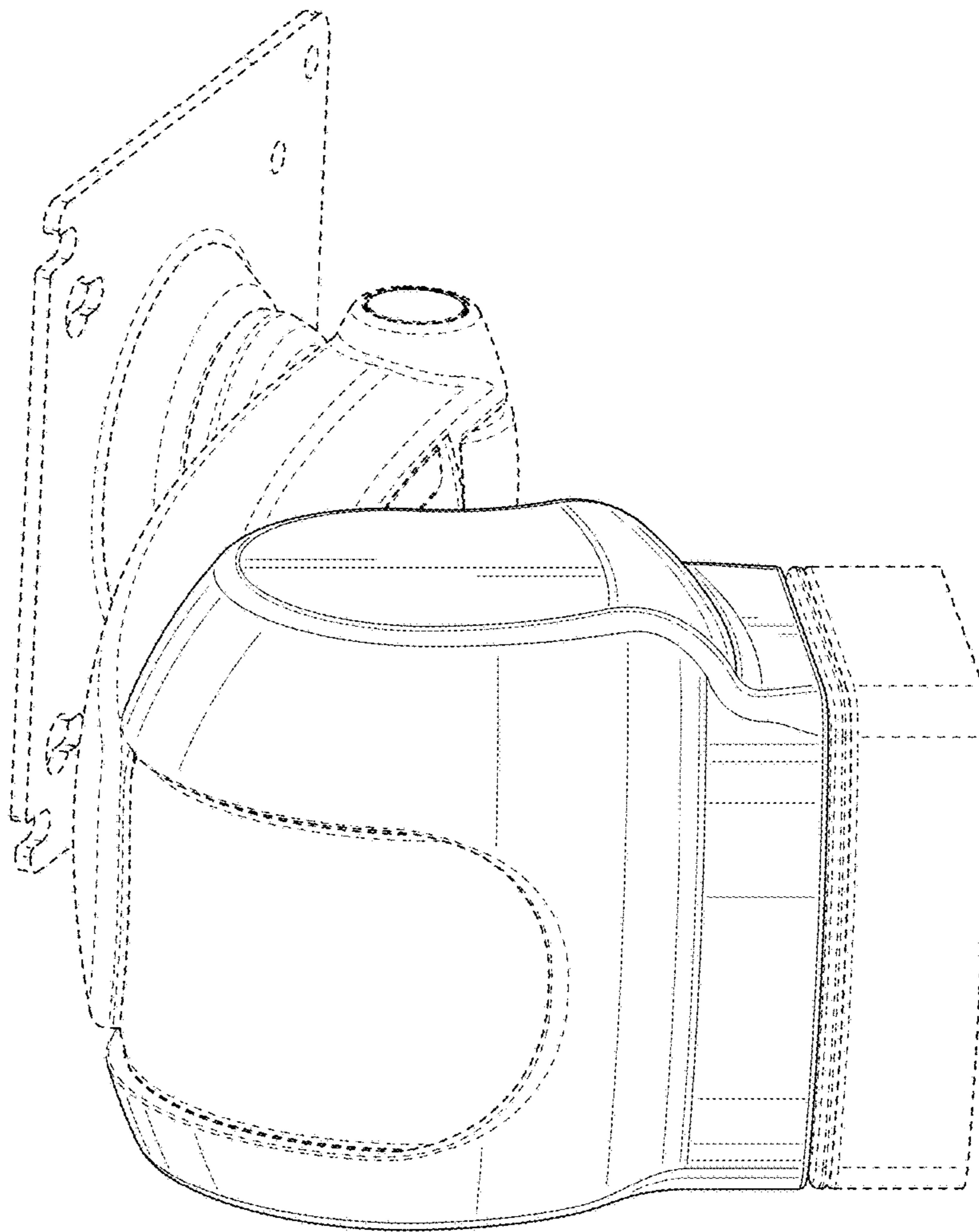


FIG 8

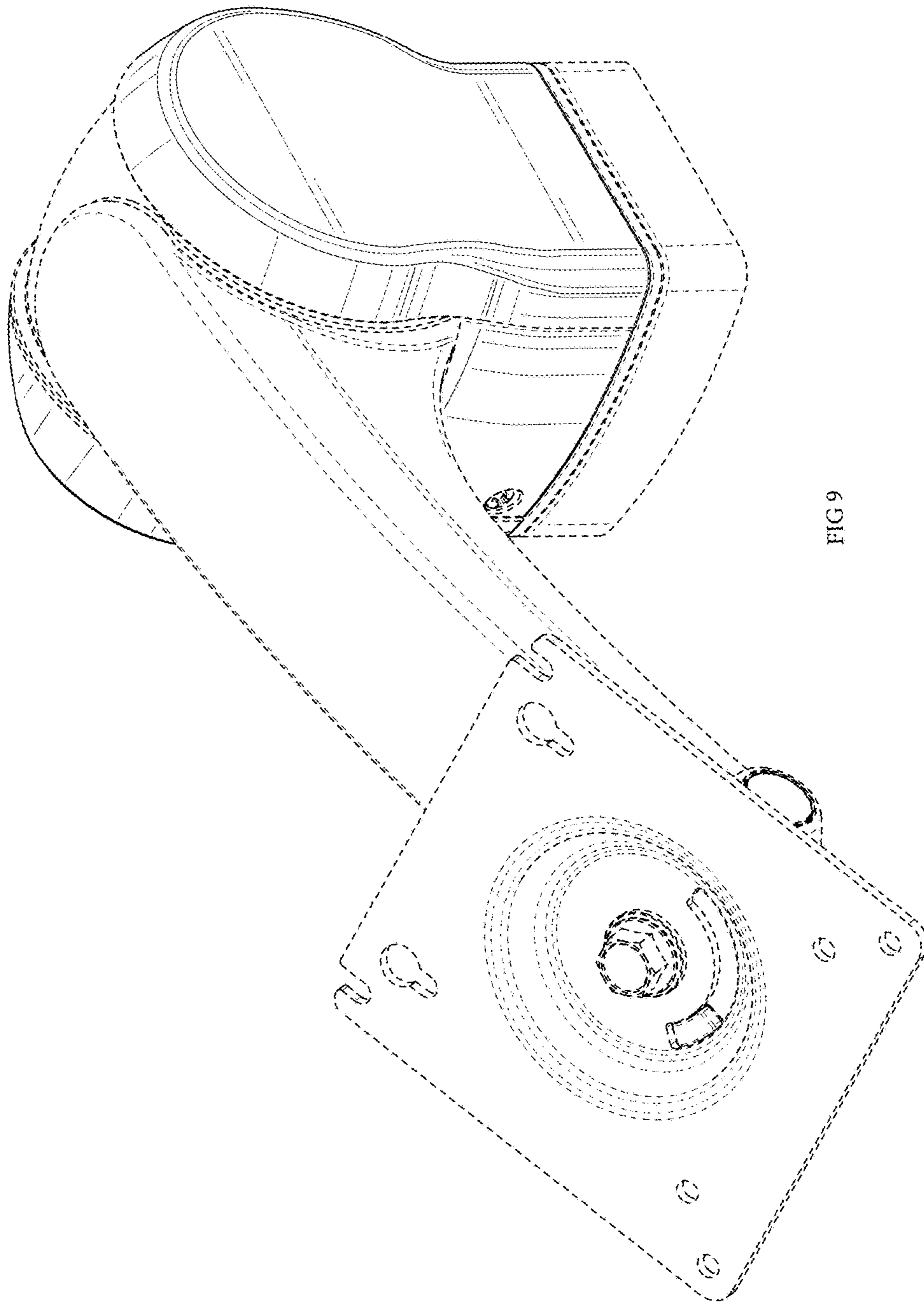


FIG 9

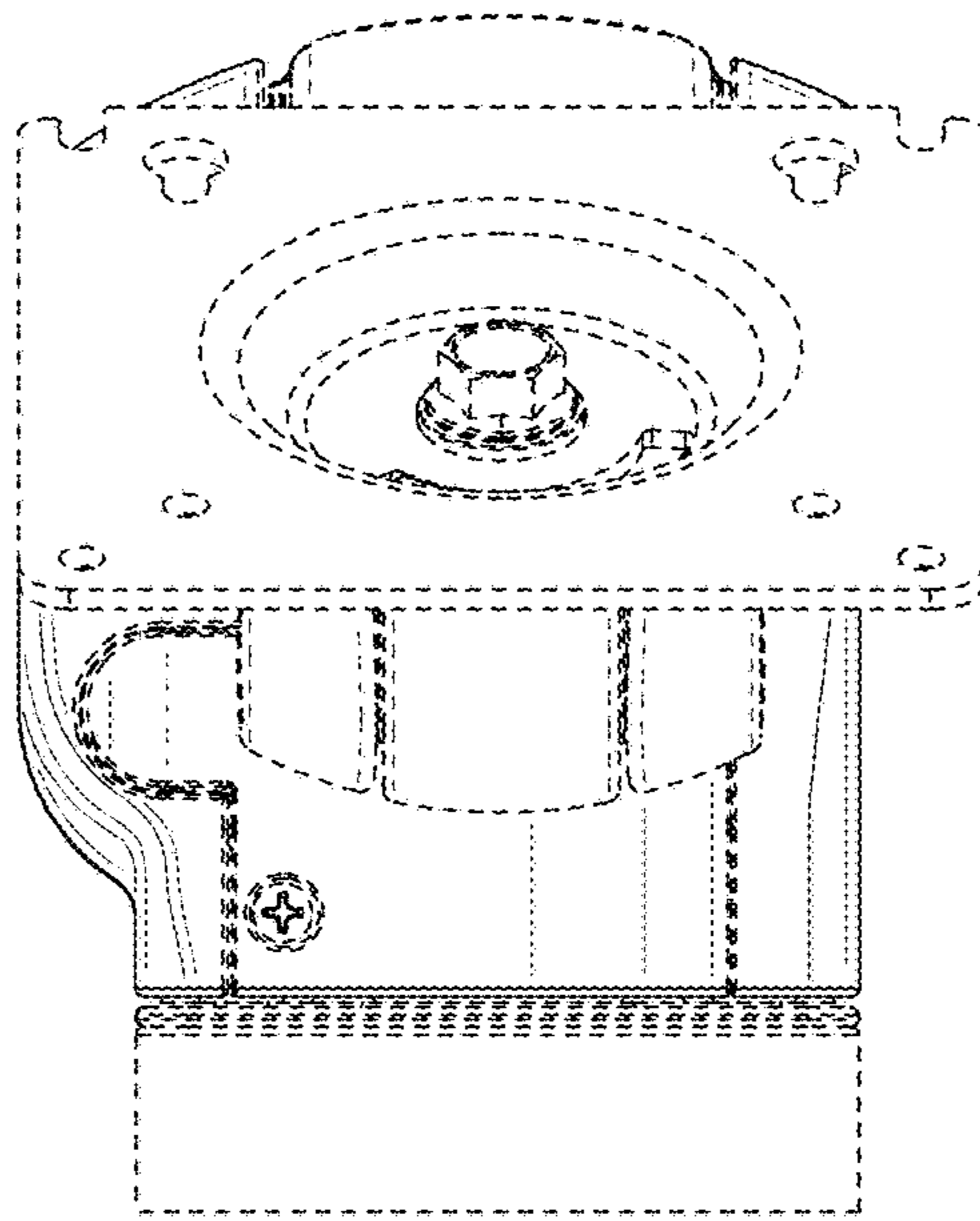


FIG 10

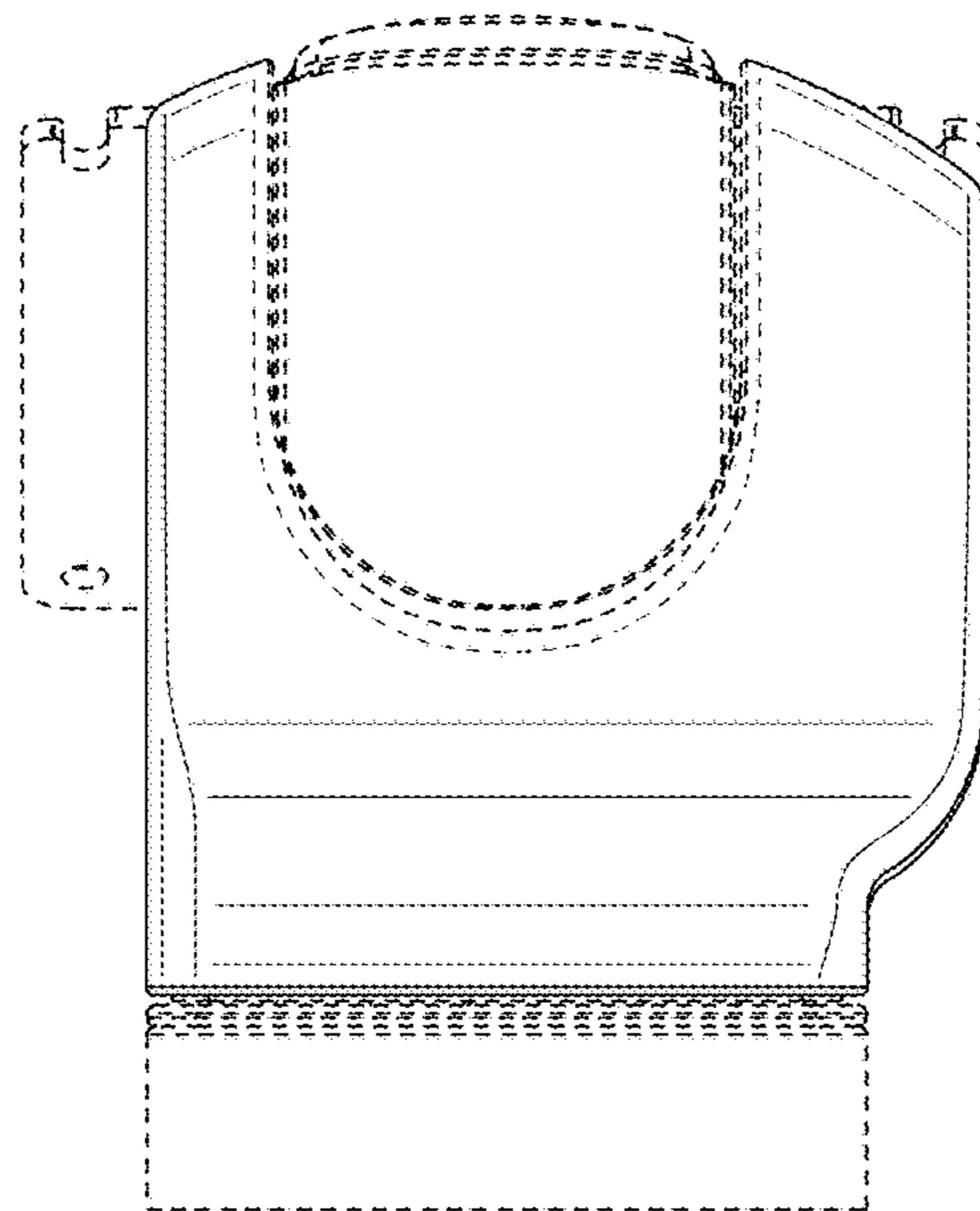


FIG 11

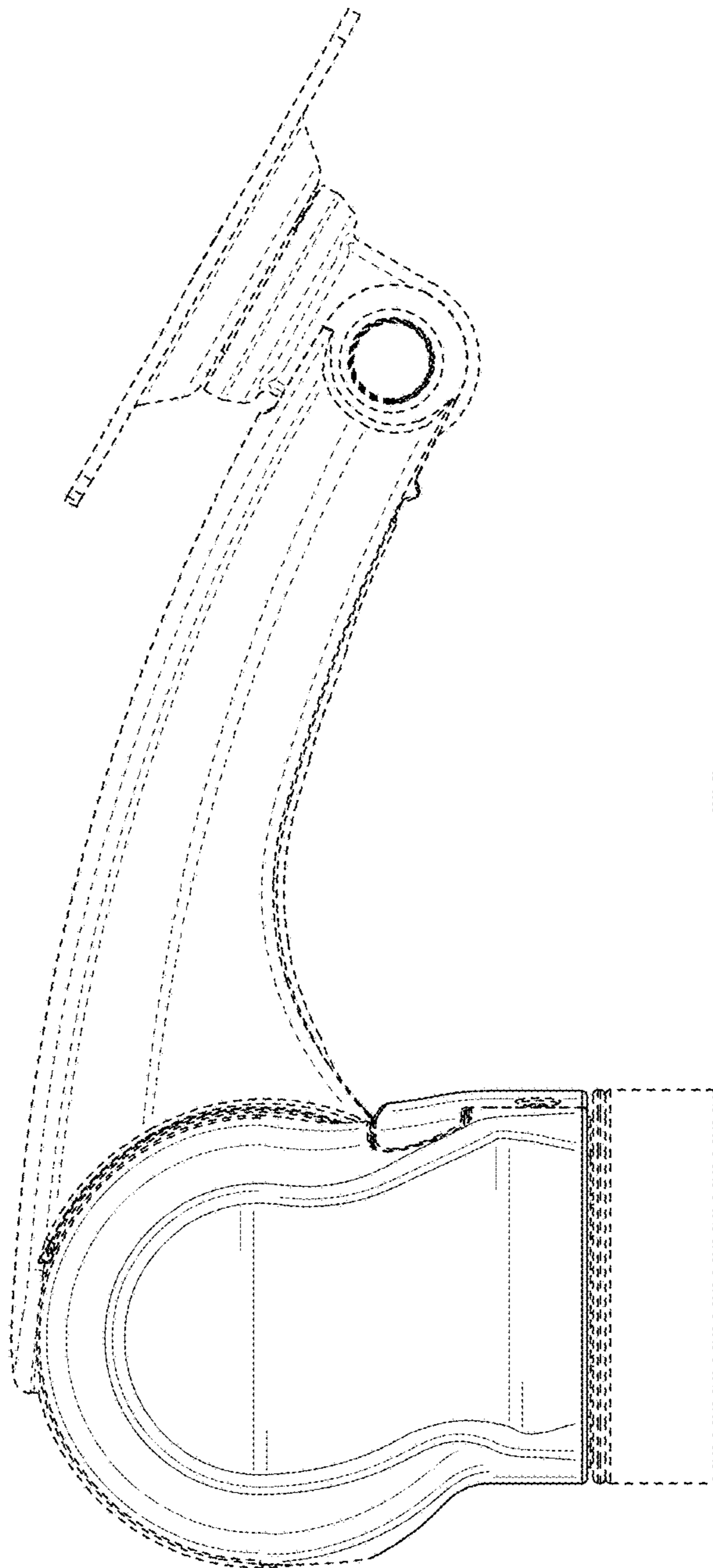


FIG 12

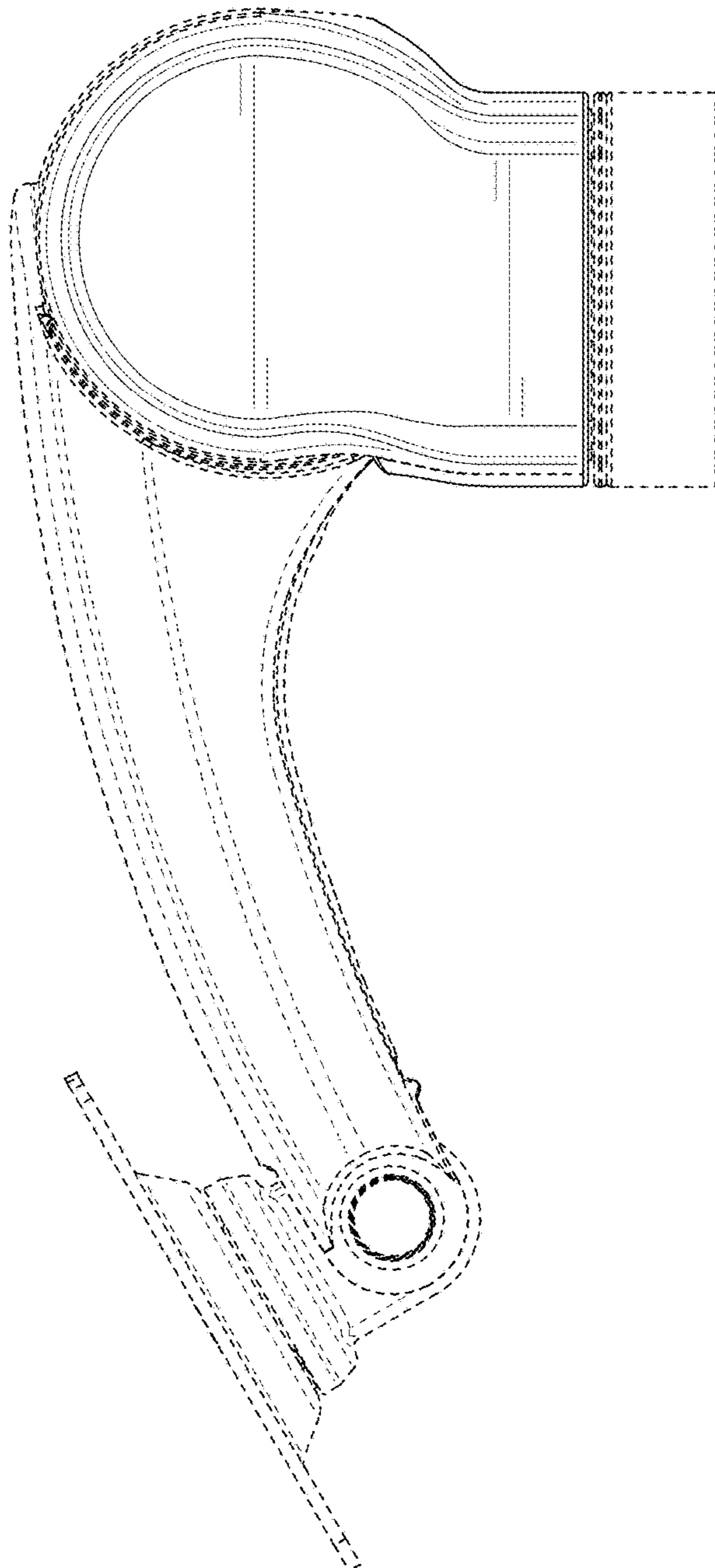


FIG 13

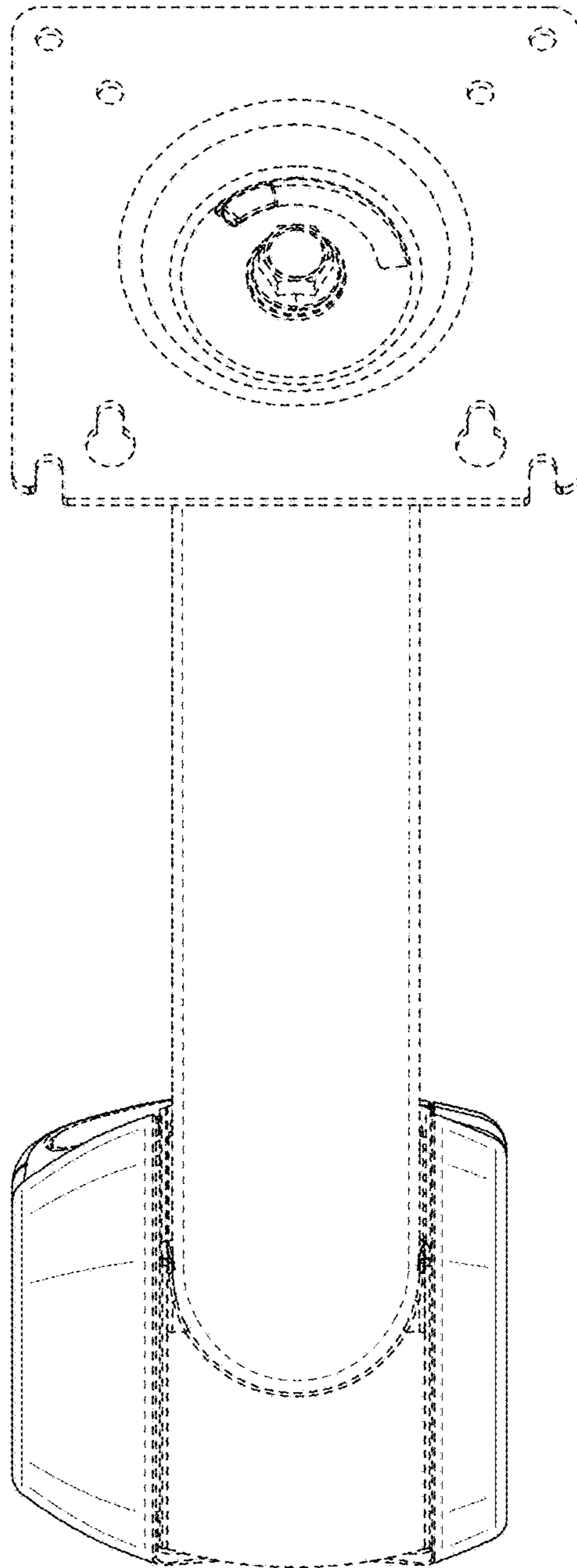


FIG 14

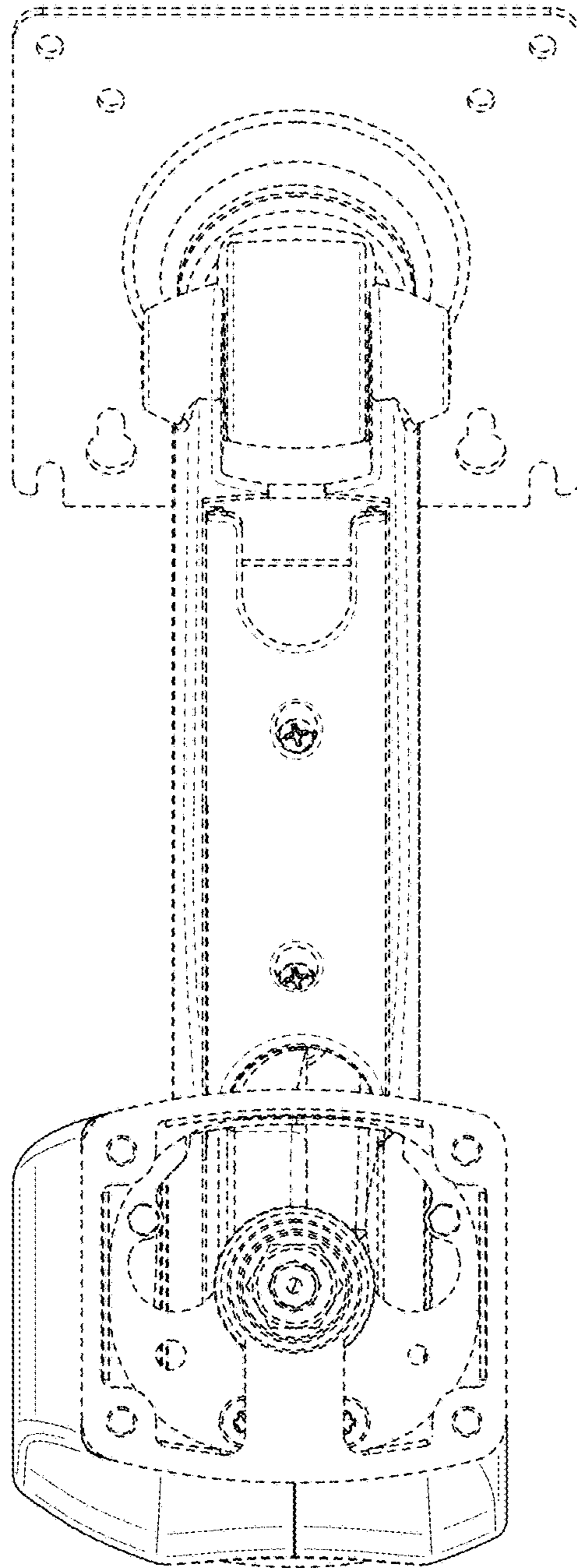


FIG 15