



US00D859369S

(12) **United States Design Patent** (10) **Patent No.:** **US D859,369 S**  
**Hsieh et al.** (45) **Date of Patent:** **\*\* Sep. 10, 2019**

(54) **EARPHONE**

(71) Applicant: **1MORE INC.**, Shenzhen, Guangdong (CN)

(72) Inventors: **Kuan-Hong Hsieh**, Guangdong (CN);  
**Shichen Xu**, Guangdong (CN);  
**Yonghui Hu**, Guangdong (CN)

(73) Assignee: **1MORE INC.**, Shenzhen, Guangdong (CN)

(\*\*) Term: **15 Years**

(21) Appl. No.: **29/643,783**

(22) Filed: **Apr. 11, 2018**

**Related U.S. Application Data**

(63) Continuation of application No. 29/593,776, filed on Feb. 13, 2017, now Pat. No. Des. 817,932.

**Foreign Application Priority Data**

Aug. 31, 2016 (CN) ..... 2016 3 0460061

(51) **LOC (12) Cl.** ..... **14-01**

(52) **U.S. Cl.**  
USPC ..... **D14/223**

(58) **Field of Classification Search**  
USPC ..... D14/223, 205, 219, 225; D2/623;  
D24/173, 174, 225, 162; D5/1; 181/129,  
181/130, 135; 379/430, 431; 381/380,  
381/381, 374, 325, 151; 455/90.3, 569.1,  
455/575.1; D25/48.8, 154; D12/203;  
428/131, 137, 142, 544; 128/864, 865;  
52/663; D23/388

CPC ..... H04R 1/10; H04R 25/00; H04R 1/1066;  
H04R 1/1016; H04R 5/033; H04R  
5/0335; H04R 1/1033; B32B 7/00

See application file for complete search history.

(56) **References Cited**

U.S. PATENT DOCUMENTS

1,637,410	A *	8/1927	Coryell	.....	E04F 13/04 52/446
2,504,307	A *	4/1950	Dalton	.....	H04M 1/03 200/302.1
D161,987	S *	2/1951	Yarborough	.....	381/322
2,978,006	A *	4/1961	Clemens	.....	B31F 1/07 156/210
3,086,624	A *	4/1963	Wyatt	.....	B21D 47/00 156/205
D200,351	S *	2/1965	Bright	.....	D25/154
3,404,409	A *	10/1968	Tillotson	.....	A41D 19/01547 2/161.8
3,678,558	A *	7/1972	Fredericks	.....	B21D 47/00 29/897.15

(Continued)

*Primary Examiner* — Paula Allen Greene

(74) *Attorney, Agent, or Firm* — Ladas & Parry LLP

(57) **CLAIM**

The ornamental design for an earphone, as shown and described.

**DESCRIPTION**

FIG. 1 is a front elevational view of an earphone showing our new design;

FIG. 2 is a rear elevational view thereof;

FIG. 3 is a left-side elevational view thereof;

FIG. 4 is a right-side elevational view thereof;

FIG. 5 is a top plan view thereof;

FIG. 6 is a bottom plan view thereof;

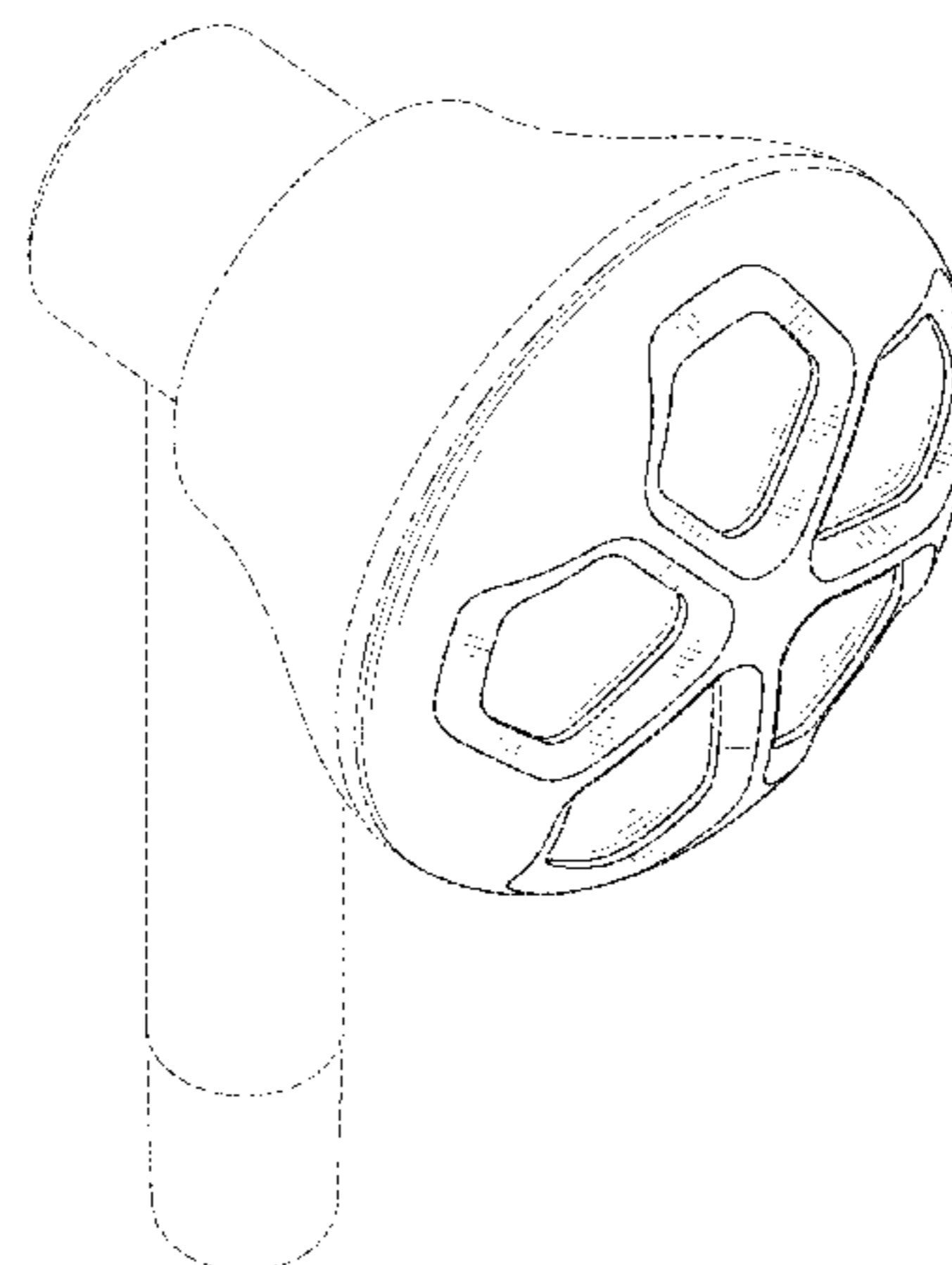
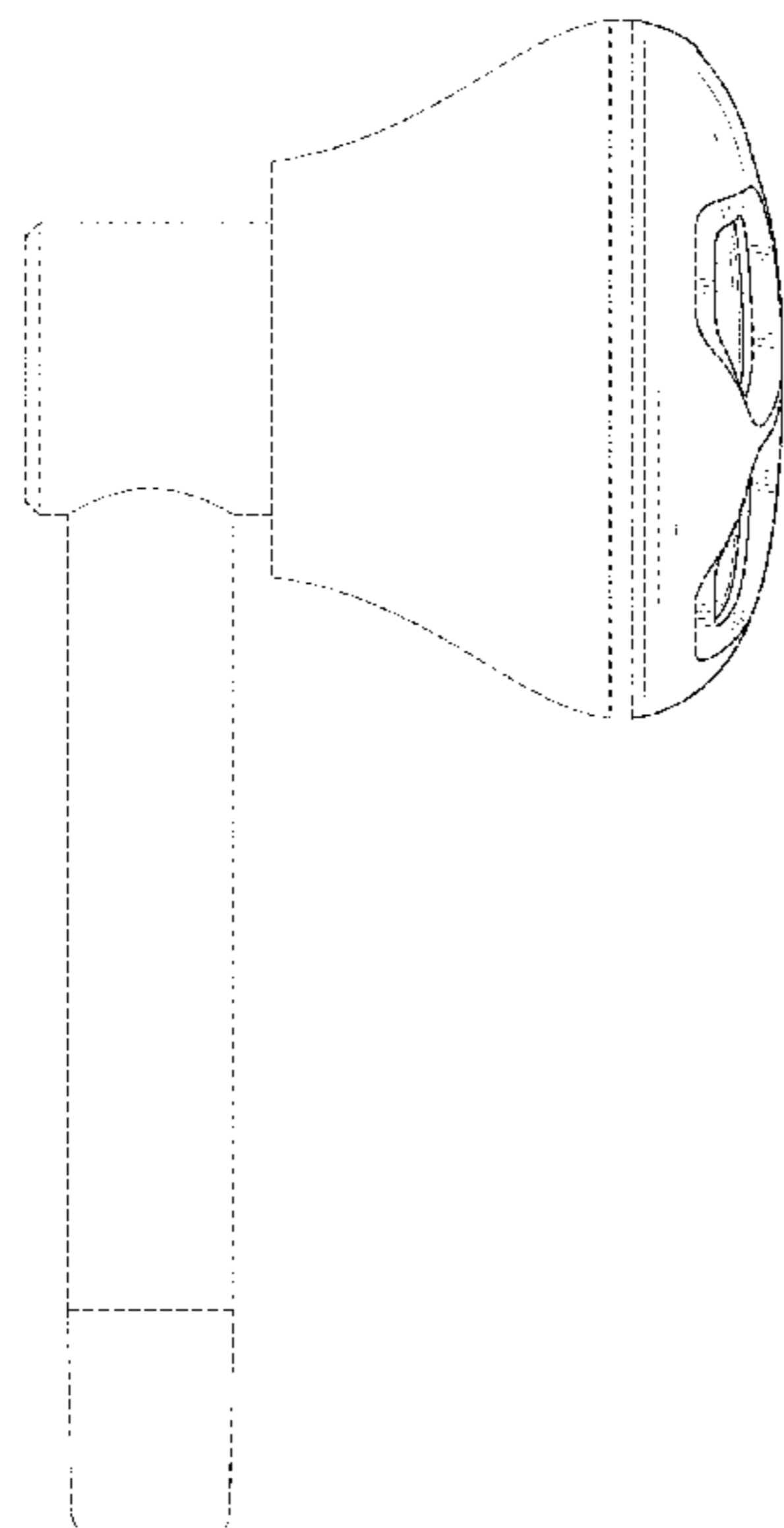
FIG. 7 is a front, top, left perspective view thereof; and,

FIG. 8 is a rear, top, right perspective view thereof.

The broken lines show in the drawings illustrate portions of the earphone that form no part of the claimed design.

The dot dash lines show an unclaimed boundary and form no part of the claimed design.

**1 Claim, 8 Drawing Sheets**



(56)

References Cited

U.S. PATENT DOCUMENTS

4,429,194 A \* 1/1984 Kamon ..... H04R 1/1016  
381/371  
4,720,857 A 1/1988 Burris  
5,023,955 A 6/1991 Murphy, II  
5,363,444 A 11/1994 Norris  
5,373,555 A 12/1994 Norris  
5,410,608 A 4/1995 Lucey  
5,420,935 A \* 5/1995 Shinohara ..... H04R 1/1016  
379/431  
D408,414 S \* 4/1999 Stead ..... D14/219  
D447,471 S \* 9/2001 Andre ..... D14/215  
D463,789 S 10/2002 DeKalb  
6,660,362 B1 12/2003 Lindsay  
6,704,429 B2 \* 3/2004 Lin ..... H04R 1/1016  
181/130  
D510,337 S 10/2005 Tages  
D514,552 S 2/2006 Lee  
D519,109 S \* 4/2006 Perszyk ..... D14/223  
7,289,640 B2 \* 10/2007 Tsai ..... H04M 1/05  
379/430  
D587,685 S 3/2009 Densho  
D589,151 S 3/2009 Sabio  
D589,493 S 3/2009 Densho  
D590,735 S 4/2009 Rogers  
D601,132 S \* 9/2009 Oishi ..... D14/219  
D628,564 S 12/2010 Chong  
D642,163 S 7/2011 Lee  
D643,416 S 8/2011 Chong

8,003,878 B2 \* 8/2011 Gaynier ..... G10H 3/22  
381/176  
8,270,915 B2 9/2012 Sanford  
D668,637 S 10/2012 Kitayama  
D668,650 S 10/2012 Han  
D674,491 S 1/2013 Bailey  
8,391,536 B2 3/2013 Hashimoto  
D680,102 S 4/2013 Chen  
8,422,717 B2 4/2013 Lin  
D684,952 S 6/2013 Lijima  
D688,650 S \* 8/2013 Chen ..... D14/223  
D690,284 S \* 9/2013 Brennwald ..... D14/205  
D695,718 S \* 12/2013 Burgett ..... D14/223  
D695,724 S 12/2013 Ishikura  
D718,286 S 11/2014 Yang  
D723,509 S \* 3/2015 Garland ..... D14/205  
D726,145 S 4/2015 Hsien  
D746,268 S 12/2015 Karayiannis  
D746,792 S 1/2016 Kim  
D754,106 S \* 4/2016 Wise ..... D14/225  
D760,202 S 6/2016 Hsieh  
D775,108 S \* 12/2016 Hsieh ..... D14/223  
D778,268 S 2/2017 Hsien  
D784,297 S \* 4/2017 Lee ..... D14/223  
D784,962 S 4/2017 Yang  
D804,455 S 12/2017 Hsieh  
D817,932 S \* 5/2018 Hsieh ..... D14/223  
D846,533 S \* 4/2019 Guo ..... D14/223  
2010/0166241 A1 \* 7/2010 Sabio ..... H04R 25/656  
381/328  
2012/0014548 A1 1/2012 Van Halteren

\* cited by examiner

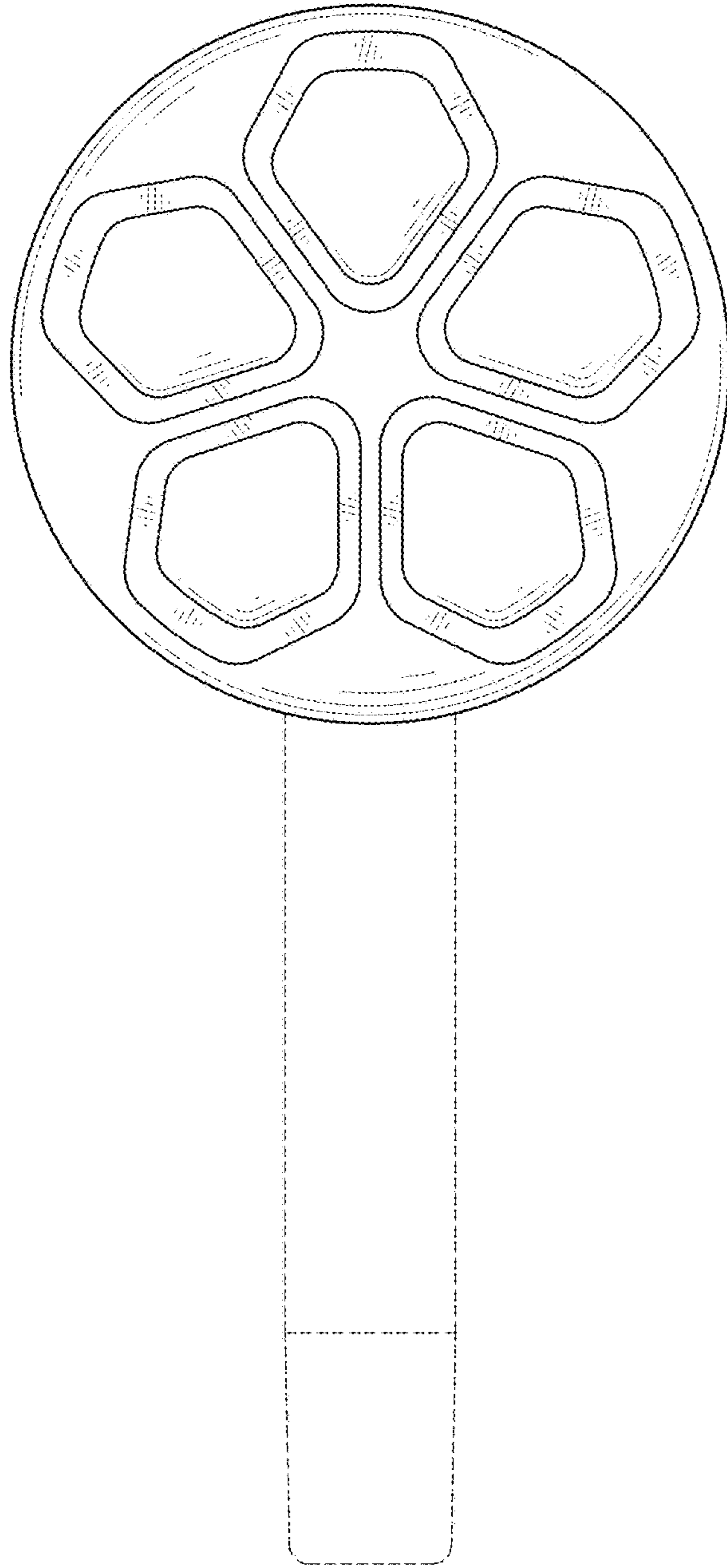


FIG. 1

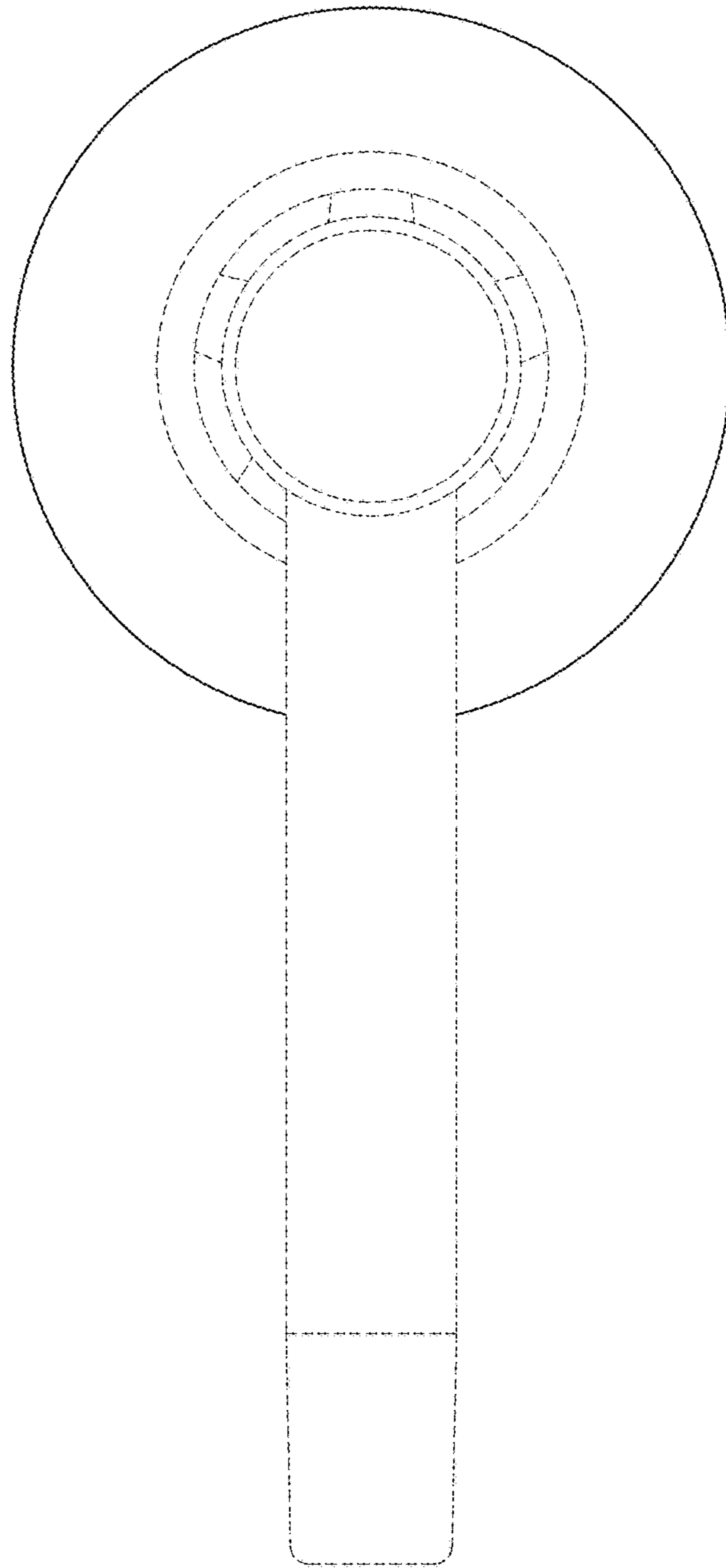


FIG. 2

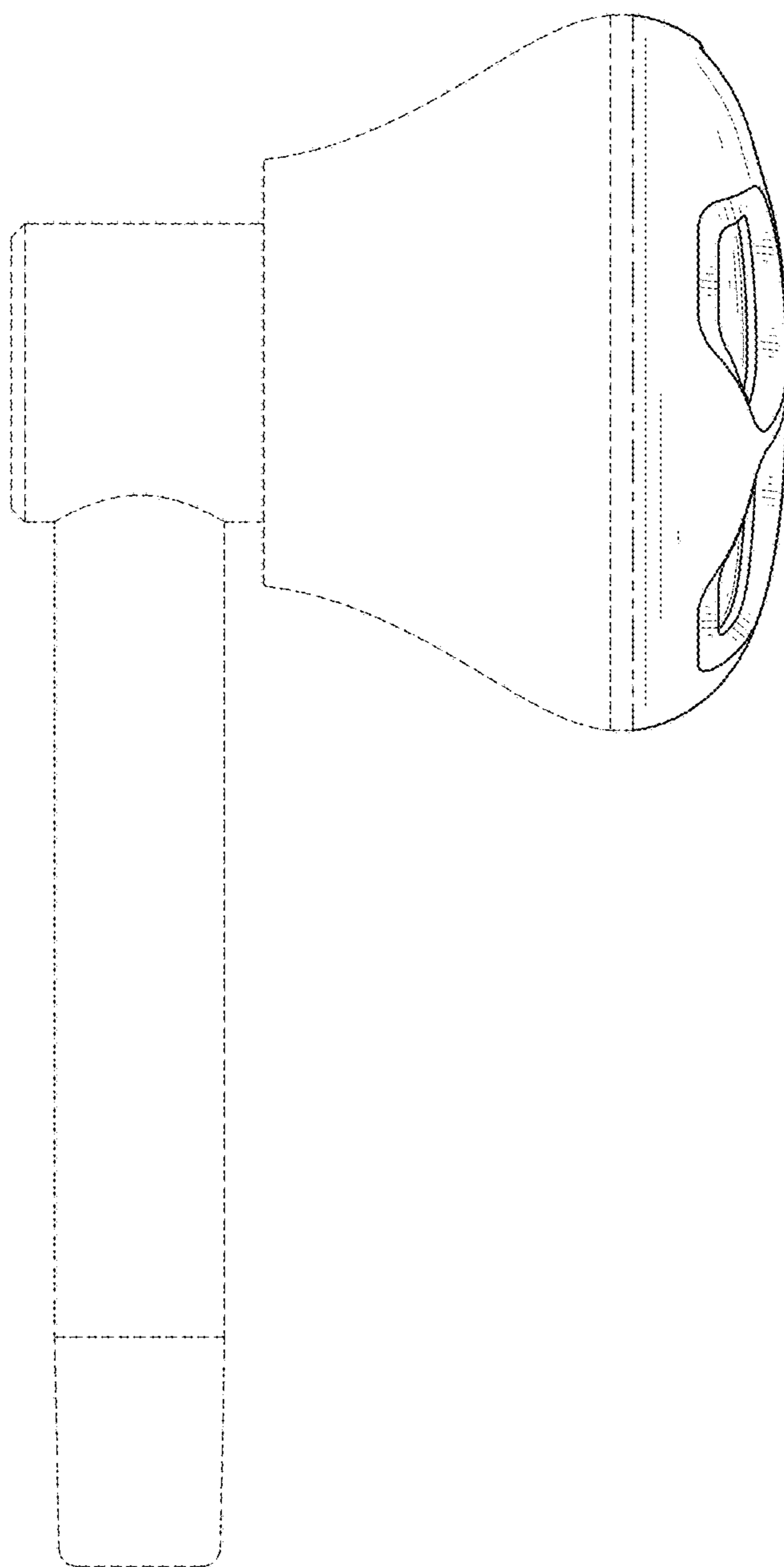


FIG. 3

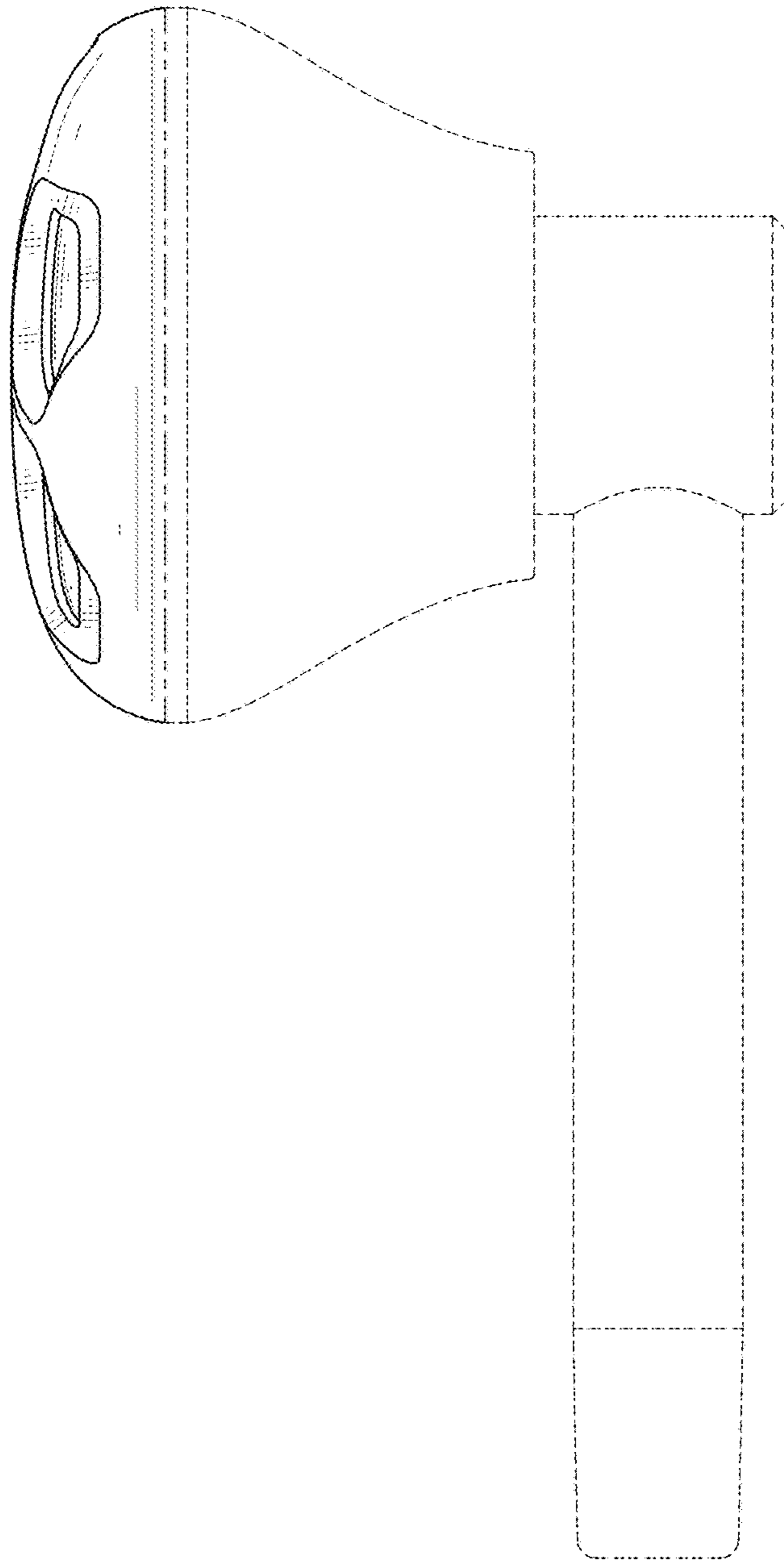


FIG. 4

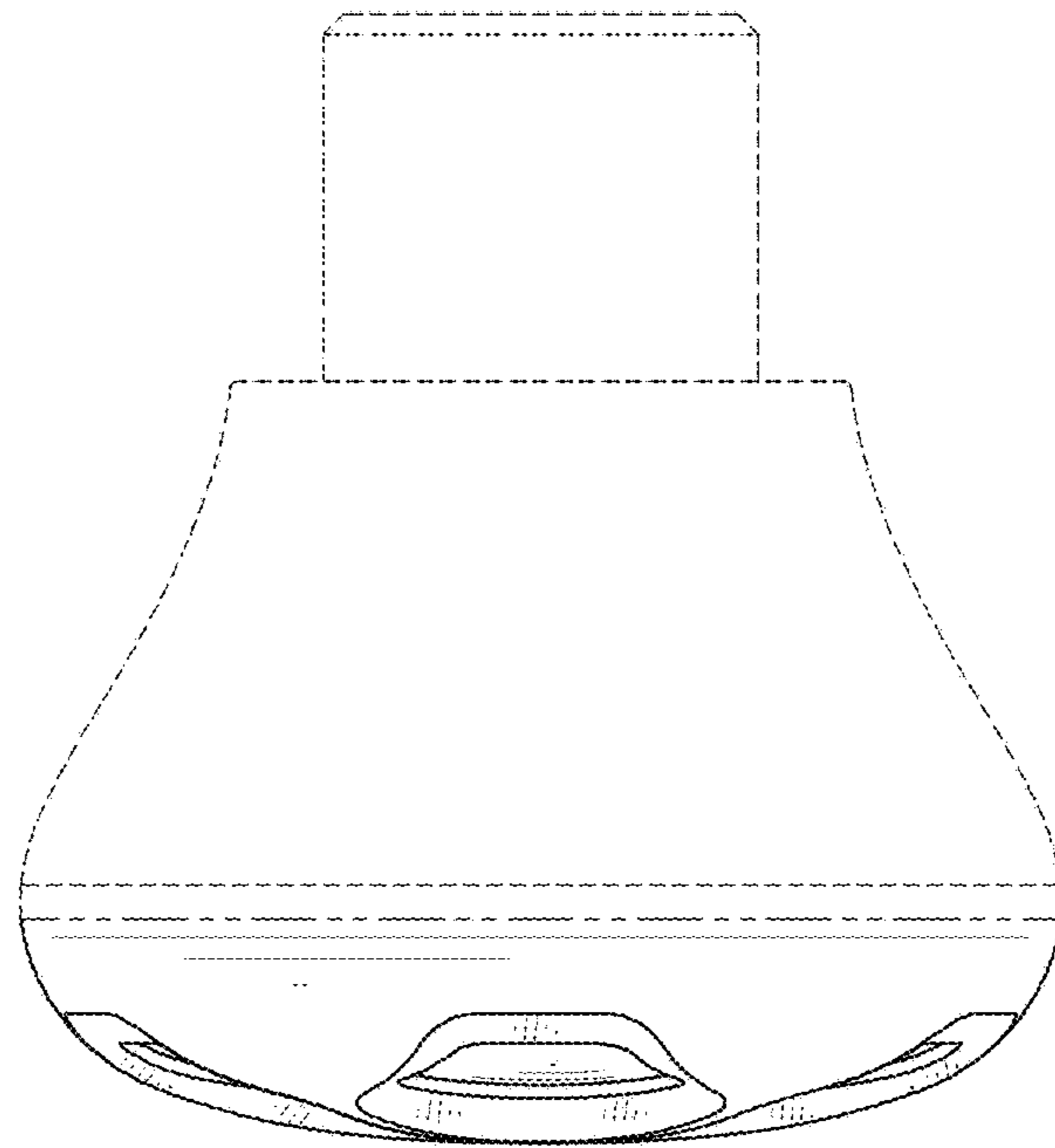


FIG. 5

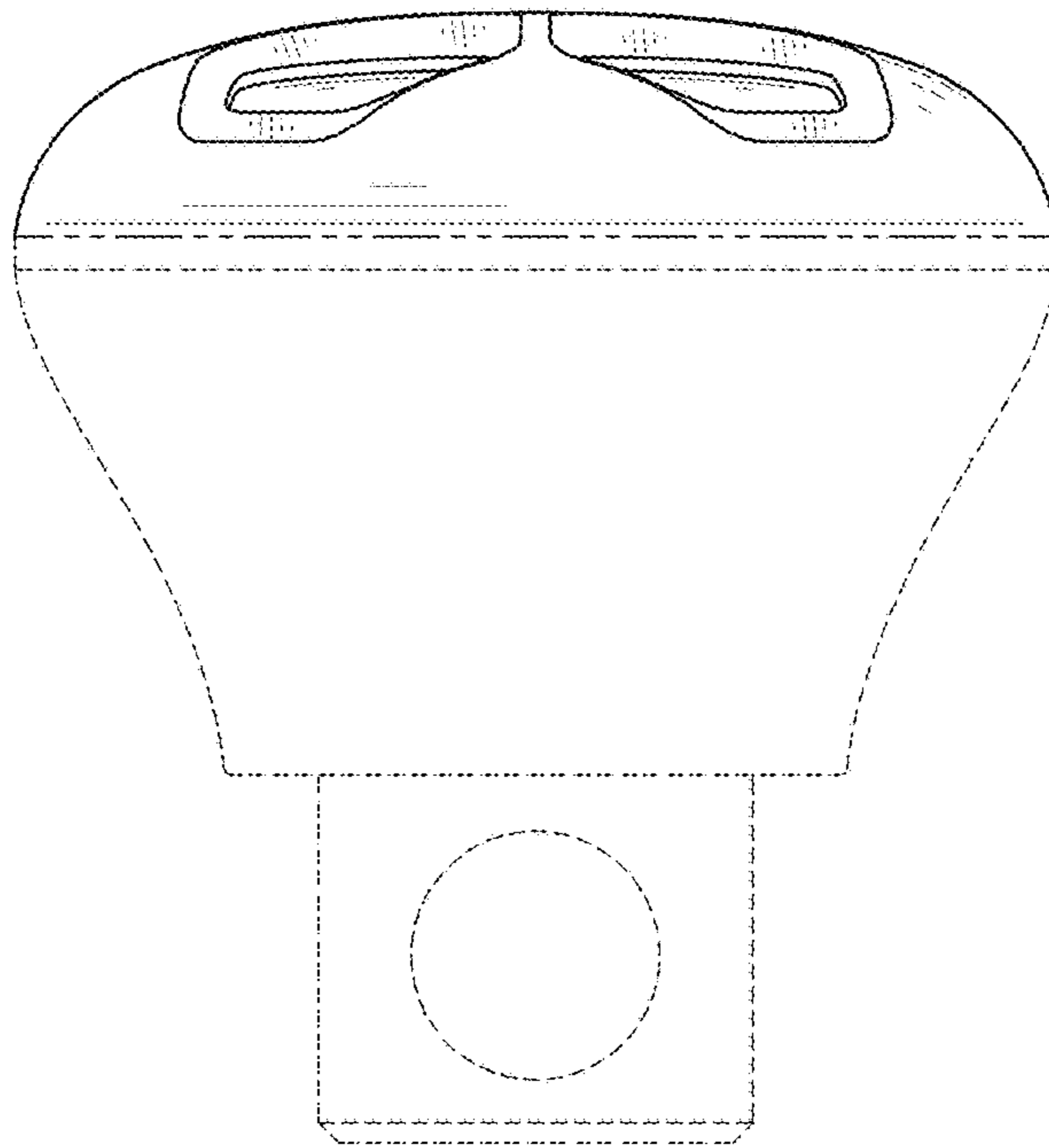


FIG. 6



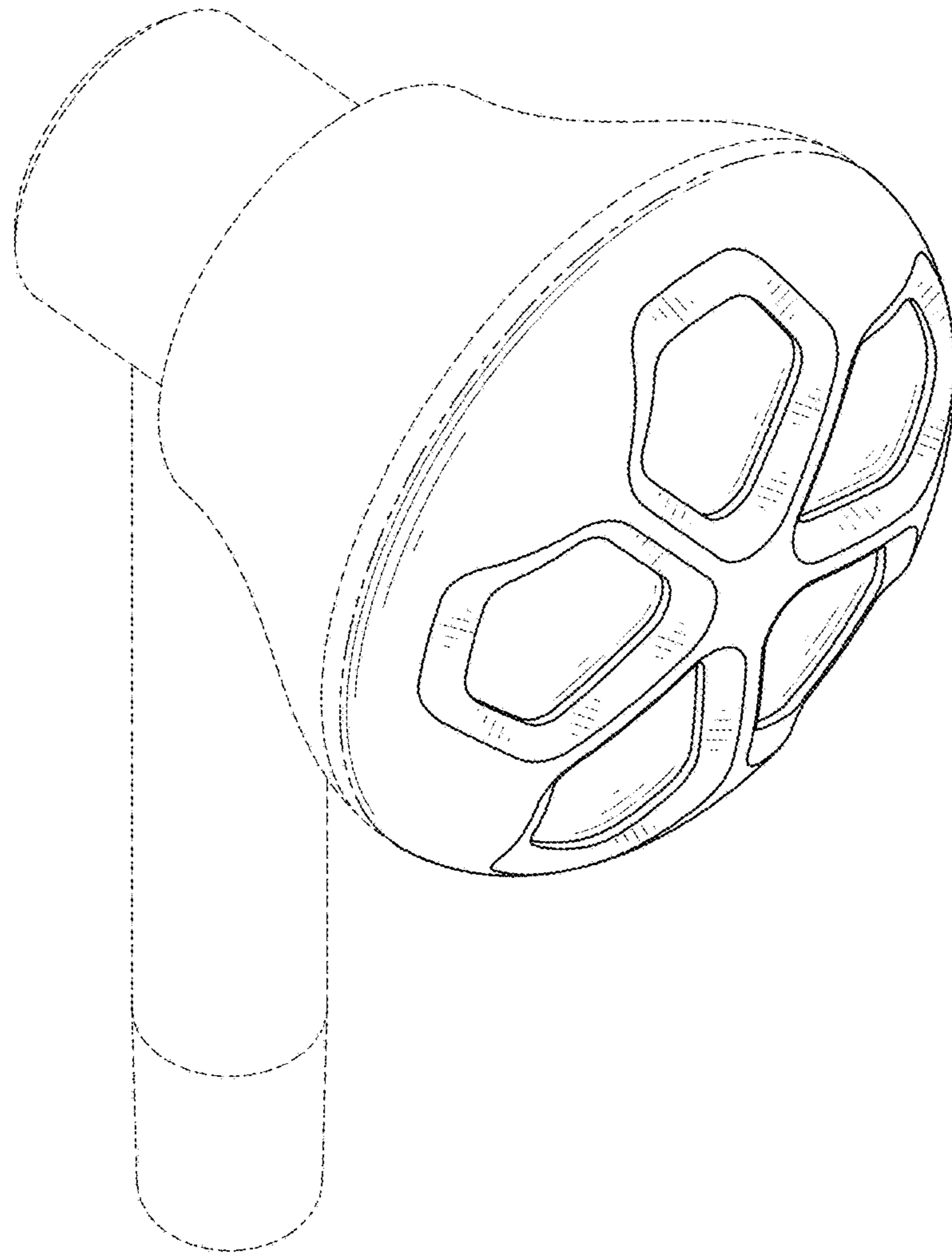


FIG. 7

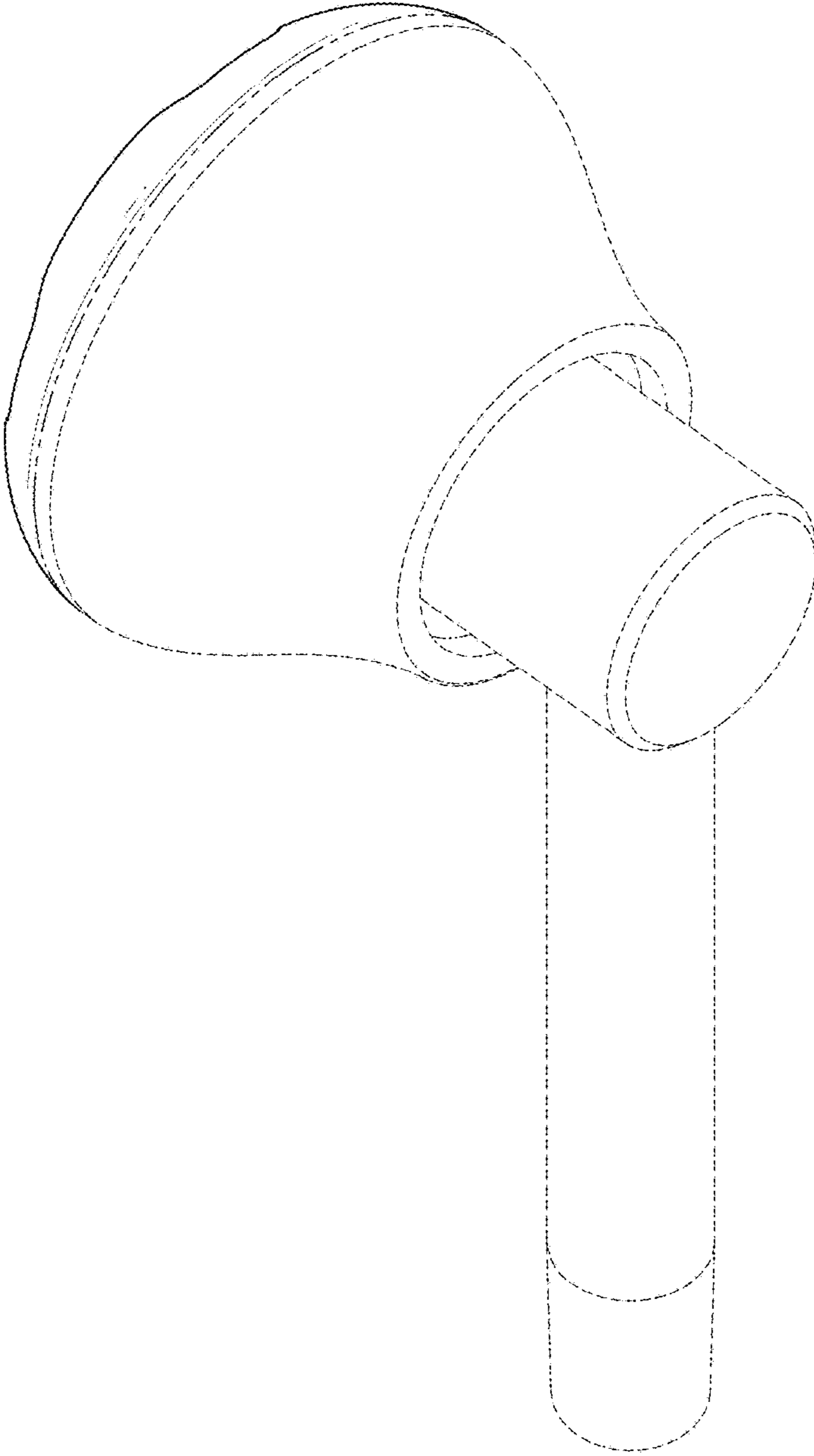


FIG. 8