

US00D859368S

(12) **United States Design Patent**  
**Huang**

(10) **Patent No.:** **US D859,368 S**

(45) **Date of Patent:** **\*\* Sep. 10, 2019**

- (54) **NOTE EAR HANGER**
- (71) Applicant: **Dongguan Homeesen Electronic Technology Co., Ltd., Guangdong (CN)**
- (72) Inventor: **Lai Ping Huang, Guangdong (CN)**
- (\*\*) Term: **15 Years**
- (21) Appl. No.: **29/633,525**
- (22) Filed: **Jan. 15, 2018**
- (30) **Foreign Application Priority Data**  
Dec. 13, 2017 (CN) ..... 2017 3 0633820
- (51) **LOC (12) Cl.** ..... **14-01**
- (52) **U.S. Cl.**  
USPC ..... **D14/223**
- (58) **Field of Classification Search**  
USPC ..... D14/223, 205; D24/174; 128/864, 865, 128/866; 379/430, 431; 381/380, 381; 181/129, 130, 135; 455/90.3, 575.1, 455/569.1  
CPC ..... H04R 1/10; H04R 25/00; H04R 25/02; H04R 1/1016; H04R 1/1066; H04R 1/105; H04R 1/1091  
See application file for complete search history.

- (56) **References Cited**  
U.S. PATENT DOCUMENTS  
1,558,191 A \* 10/1925 Lindemann ..... H04R 1/1008  
128/864  
1,615,028 A \* 1/1927 Morser ..... H04M 1/19  
379/447  
2,377,739 A \* 6/1945 Wyckoff ..... H04R 25/652  
181/132  
D147,060 S \* 7/1947 Parisi ..... D11/48  
2,584,402 A \* 2/1952 Volkmann ..... H04R 25/556  
181/129

- 3,126,977 A \* 3/1964 McGee ..... H04R 25/356  
181/135
- D221,442 S \* 8/1971 Feingold ..... D24/174
- 3,702,123 A \* 11/1972 Machen ..... H04R 25/652  
181/135
- 3,906,478 A \* 9/1975 Smey ..... B60K 28/06  
340/575
- 4,010,820 A \* 3/1977 Johnson ..... H04R 25/652  
181/130
- D253,813 S \* 1/1980 Salvaggio ..... D11/48
- D260,380 S \* 8/1981 Dickerson ..... D11/48
- 4,407,389 A \* 10/1983 Johnson ..... H04R 25/652  
181/130
- D355,702 S \* 2/1995 Johnson ..... D23/209
- D357,479 S \* 4/1995 Coomans ..... D14/223
- D375,959 S \* 11/1996 Davis ..... D14/206
- D388,093 S \* 12/1997 Frengley ..... D14/223
- D419,564 S \* 1/2000 McDonald ..... D14/223
- D430,673 S \* 9/2000 Lindekugel ..... D24/106
- D456,901 S \* 5/2002 Dudziak ..... D24/174

(Continued)

*Primary Examiner* — Paula Allen Greene  
(74) *Attorney, Agent, or Firm* — Prakash Nama; Global IP Services, PLLC

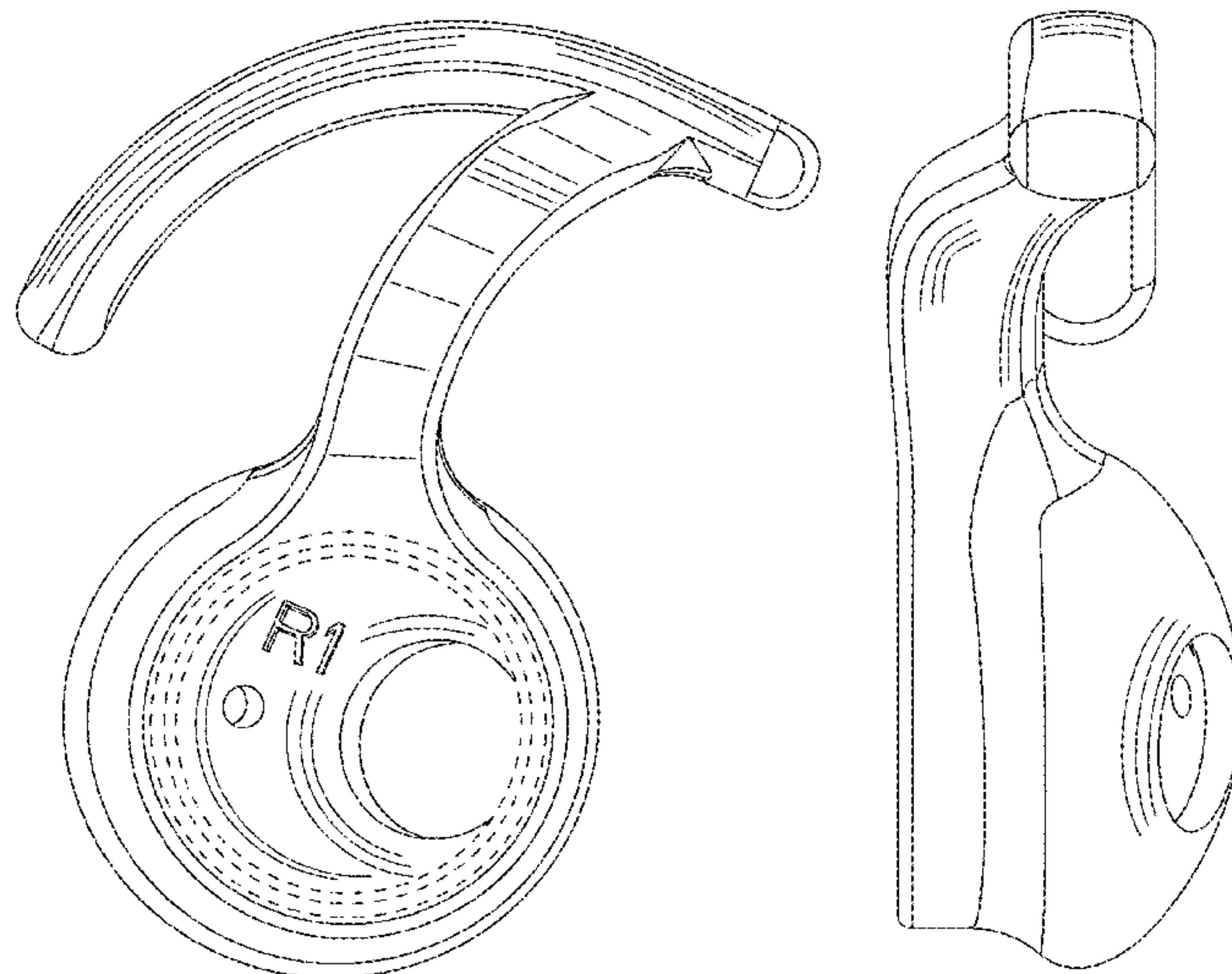
(57) **CLAIM**

The ornamental design for a note ear hanger, as shown and described.

**DESCRIPTION**

FIG. 1 is a front elevational view of a note ear hanger showing my new design;  
FIG. 2 is a rear elevational view thereof;  
FIG. 3 is a left side view thereof;  
FIG. 4 is a right side view thereof;  
FIG. 5 is a top plan view thereof;  
FIG. 6 is a bottom plan view thereof; and,  
FIG. 7 is a perspective view thereof.  
The broken lines depict environment that forms no part of the claimed design.

**1 Claim, 7 Drawing Sheets**



(56)

References Cited

U.S. PATENT DOCUMENTS

6,418,230 B1 *	7/2002	McDonald	.....	H04R 1/10	379/426	8,515,116 B2 *	8/2013	Lee	.....	H04R 1/1041	381/338
D470,122 S *	2/2003	Hlas	.....	D14/205		8,625,834 B2 *	1/2014	Smith	.....	H04M 1/05	381/380
D470,123 S *	2/2003	Hlas	.....	D14/205		8,737,669 B2 *	5/2014	Monahan	.....	H04R 1/1016	381/325
D471,537 S *	3/2003	Ham	.....	D14/223		D707,201 S *	6/2014	Arjomand	.....	H04R 25/652	D14/205
D478,991 S *	8/2003	Dyer	.....	D24/174		D716,770 S *	11/2014	Bonahoom	.....	D14/223	
6,722,853 B1 *	4/2004	Humanchuk	.....	F01D 5/141	416/223 A	9,036,852 B2 *	5/2015	Silvestri	.....	H04R 1/1016	381/380
6,738,487 B1 *	5/2004	Nageno	.....	H04R 1/1016	381/322	D732,008 S *	6/2015	Akana	.....	H04R 1/10	D14/223
D505,132 S *	5/2005	Linville	.....	D14/223		D742,362 S *	11/2015	Bonahoom	.....	D14/205	
D514,094 S *	1/2006	Griffin	.....	D14/223		D744,456 S *	12/2015	Pedersen	.....	D14/223	
7,050,598 B1 *	5/2006	Ham	.....	H04R 1/105	381/330	D755,158 S *	5/2016	Lee	.....	D14/205	
D532,110 S *	11/2006	Bailey	.....	D24/174		D755,159 S *	5/2016	Birger	.....	D14/206	
7,346,180 B2 *	3/2008	Ham	.....	H04R 1/105	381/370	D759,633 S *	6/2016	Gondo	.....	D14/223	
D573,137 S *	7/2008	Polito	.....	D14/223		D770,425 S *	11/2016	Son	.....	D14/205	
D585,429 S *	1/2009	Dean	.....	D14/223		D773,440 S *	12/2016	Pedersen	.....	D14/223	
D601,134 S *	9/2009	Elabidi	.....	D14/223		D773,441 S *	12/2016	Pedersen	.....	D14/223	
D604,273 S *	11/2009	Tamura	.....	D14/223		D774,021 S *	12/2016	Pedersen	.....	D14/223	
D618,218 S *	6/2010	Burgett	.....	D14/223		D775,158 S *	12/2016	Dong	.....	D14/485	
D618,219 S *	6/2010	Burgett	.....	D14/223		D777,149 S *	1/2017	Bonahoom	.....	D14/223	
D619,566 S *	7/2010	Yu	.....	D14/223		D779,461 S *	2/2017	Smith	.....	D14/223	
D621,817 S *	8/2010	Brickstad	.....	D14/223		9,774,963 B1 *	9/2017	Han	.....	H04R 1/105	
D622,704 S *	8/2010	Fahrendorff	.....	D14/223		D809,487 S *	2/2018	Lee	.....	D14/223	
D622,705 S *	8/2010	Fahrendorff	.....	D14/223		D835,077 S *	12/2018	Aoyagi	.....	D14/223	
D628,990 S *	12/2010	Pedersen	.....	D14/223		D838,693 S *	1/2019	Fu	.....	D14/223	
D637,997 S *	5/2011	Peller	.....	D14/205		2003/0044038 A1 *	3/2003	Shirata	.....	H04R 1/105	381/381
7,949,127 B2 *	5/2011	Pedersen	.....	H04R 1/1066	379/430	2009/0141923 A1 *	6/2009	Smith	.....	H04R 1/1016	381/371
D640,670 S *	6/2011	Rye	.....	D14/223		2011/0255729 A1 *	10/2011	Tan	.....	H04R 1/105	381/380
D641,008 S *	7/2011	Lee	.....	D14/223		2016/0073186 A1 *	3/2016	Searl	.....	H04R 1/1016	381/380
7,986,803 B1 *	7/2011	DeKalb	.....	H04R 1/1066	381/328						
D645,458 S *	9/2011	Silvestri	.....	H04R 1/1016	D14/223						
D647,514 S *	10/2011	Wikel	.....	D14/223							
8,111,864 B2 *	2/2012	Oliveira	.....	H04R 1/10	381/328						

\* cited by examiner

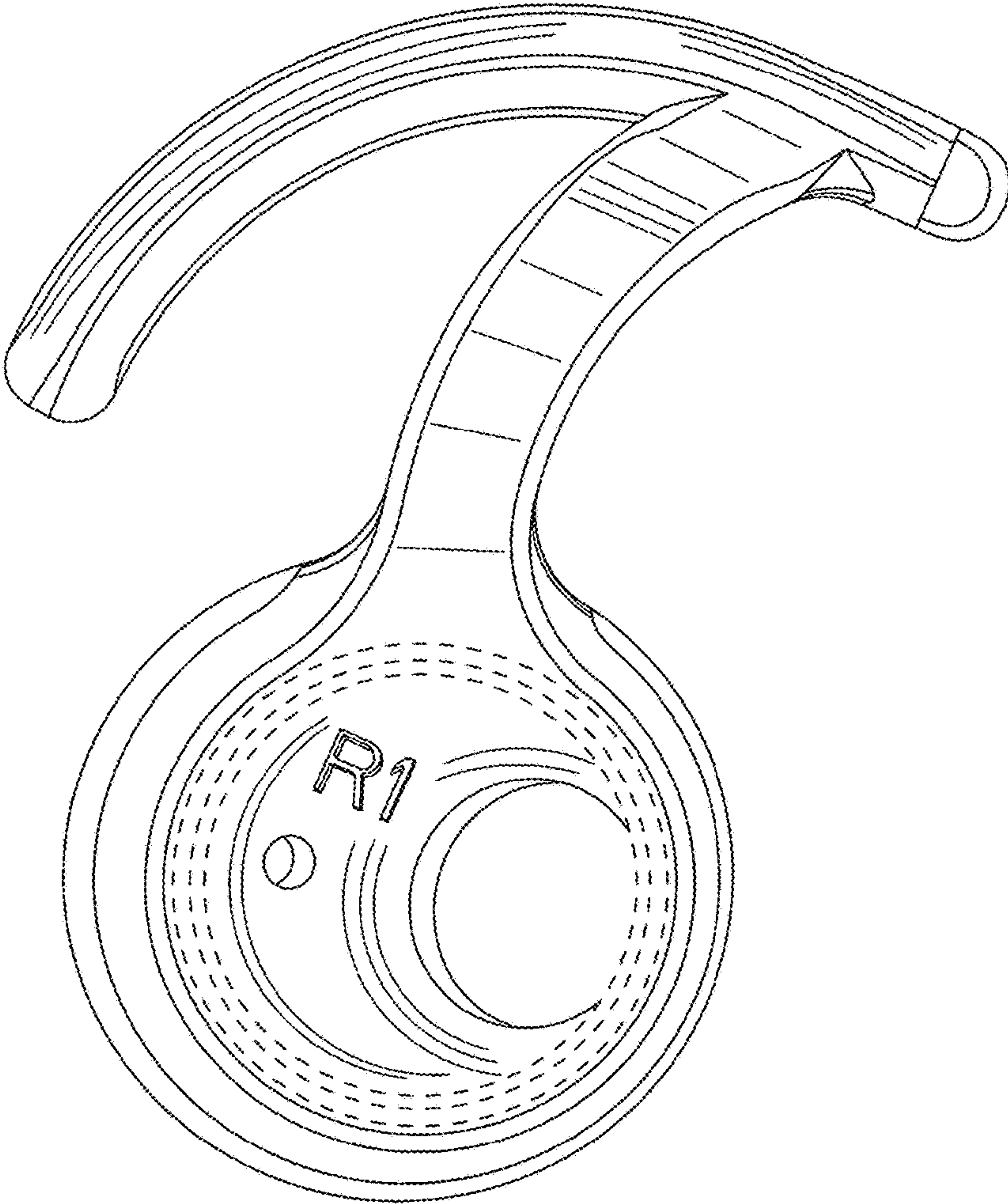


Fig. 1



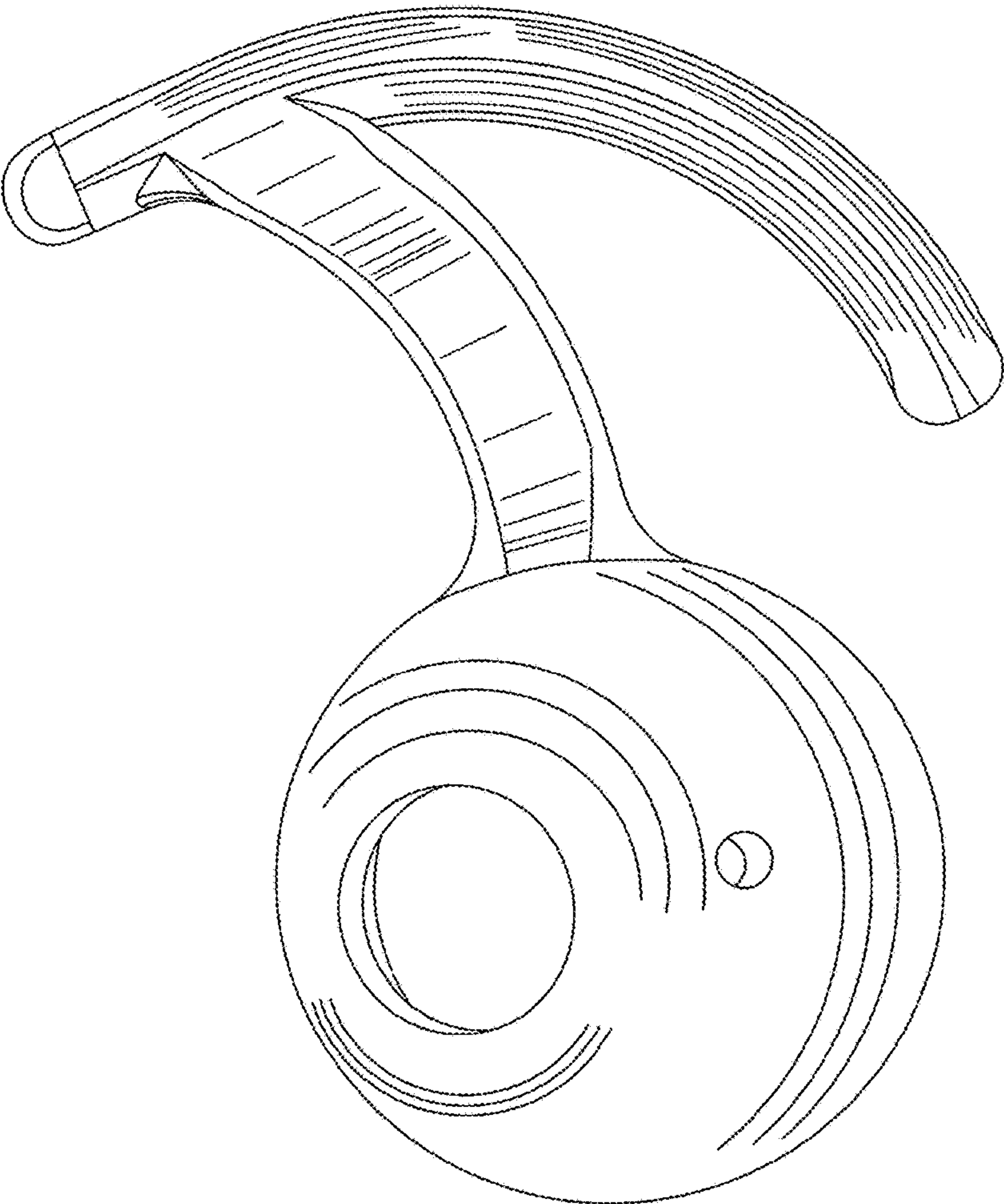


Fig. 2

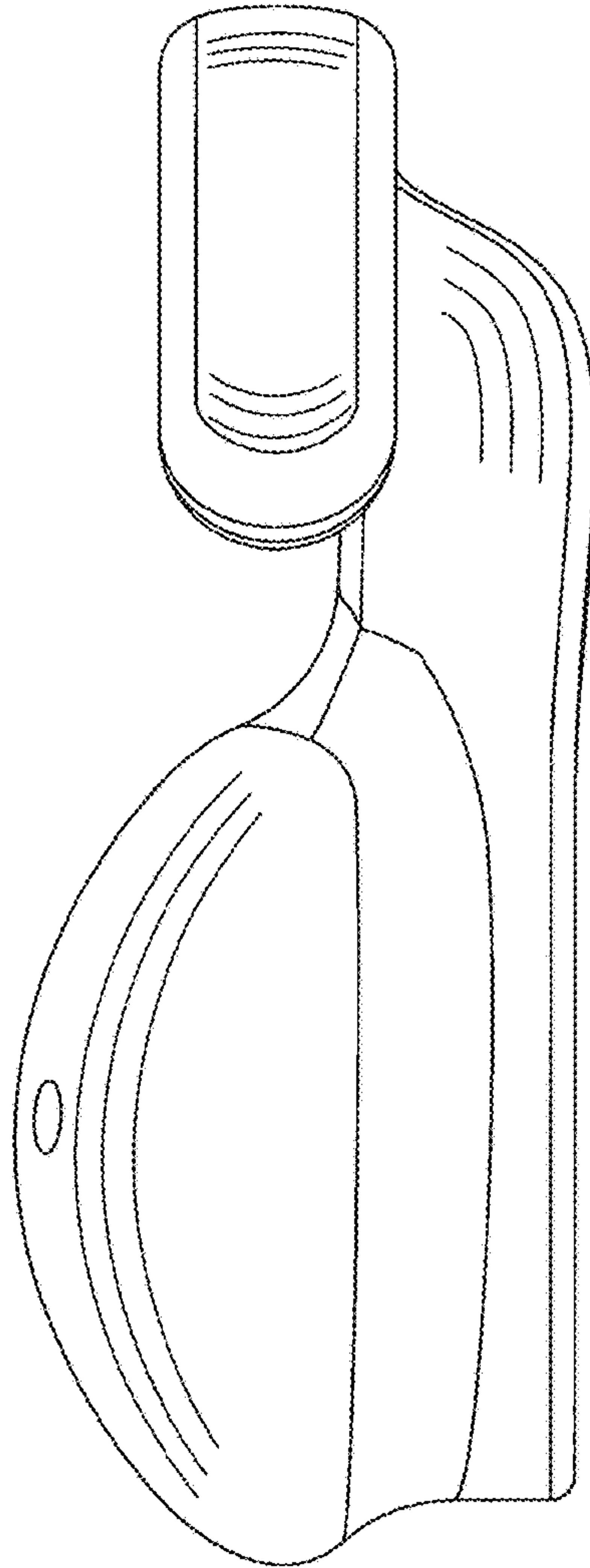


Fig. 3

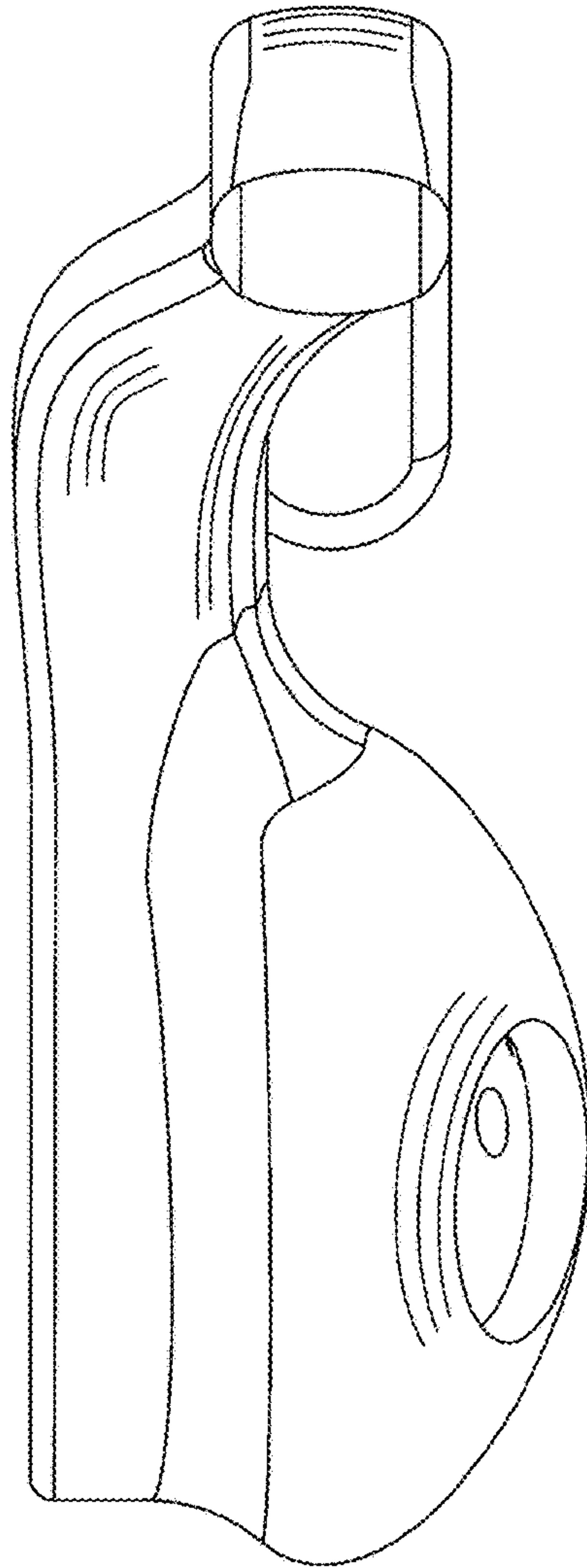


Fig. 4

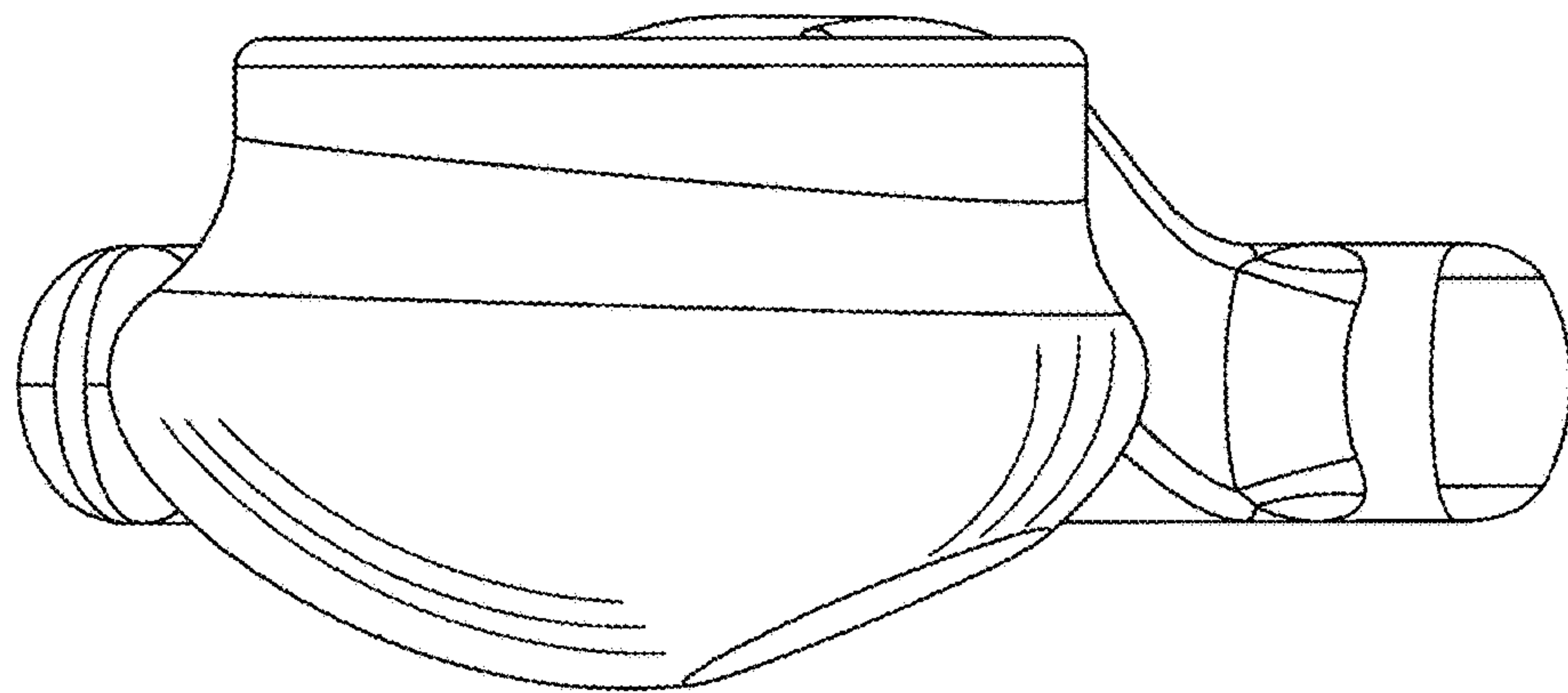


Fig. 5

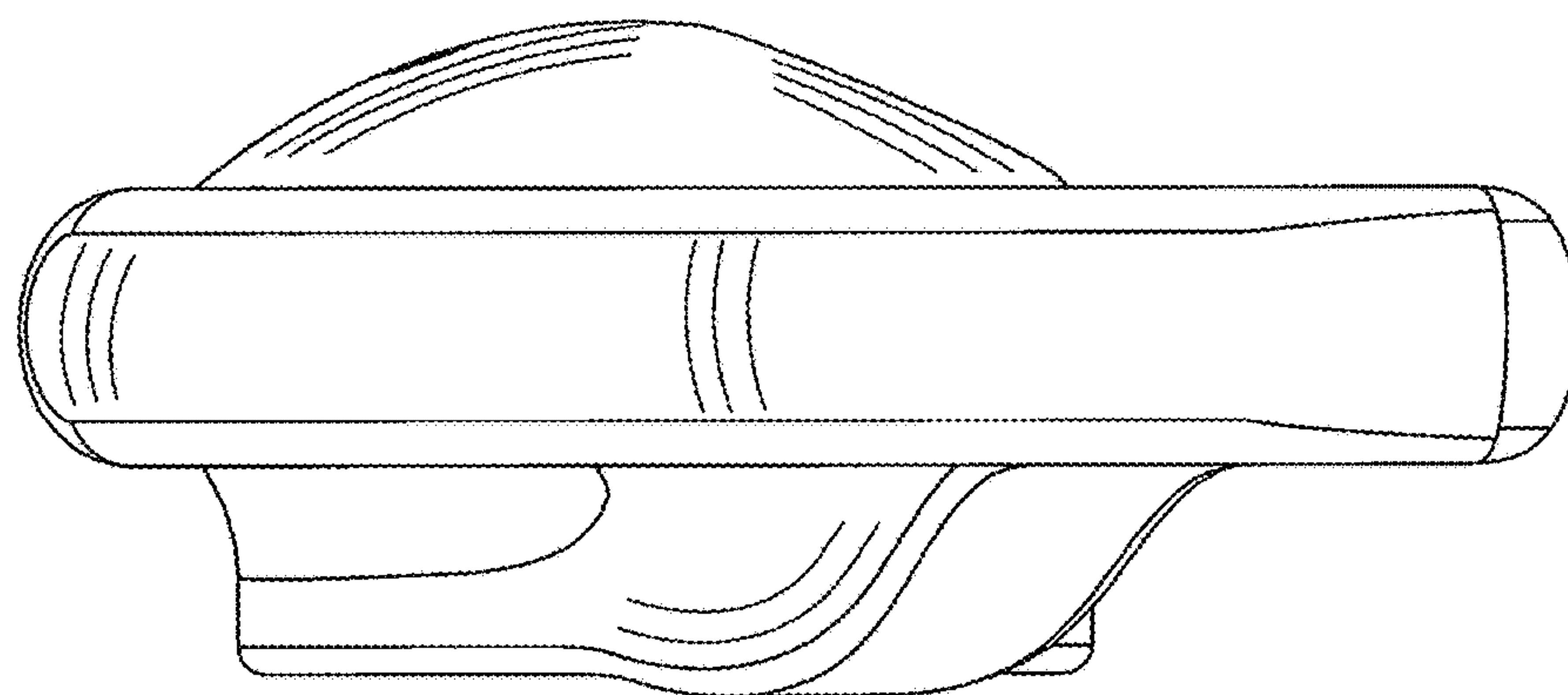


Fig. 6



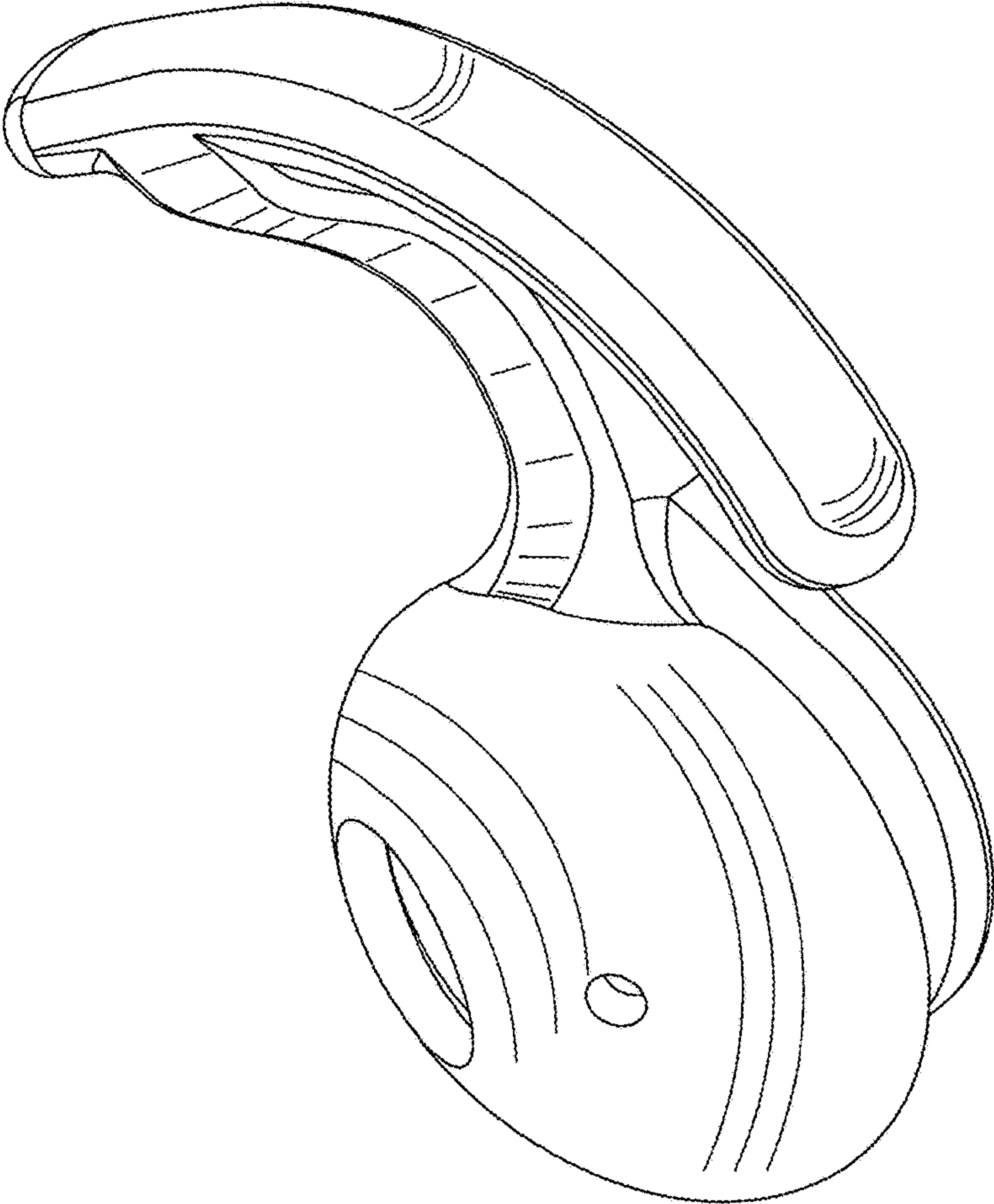


Fig. 7